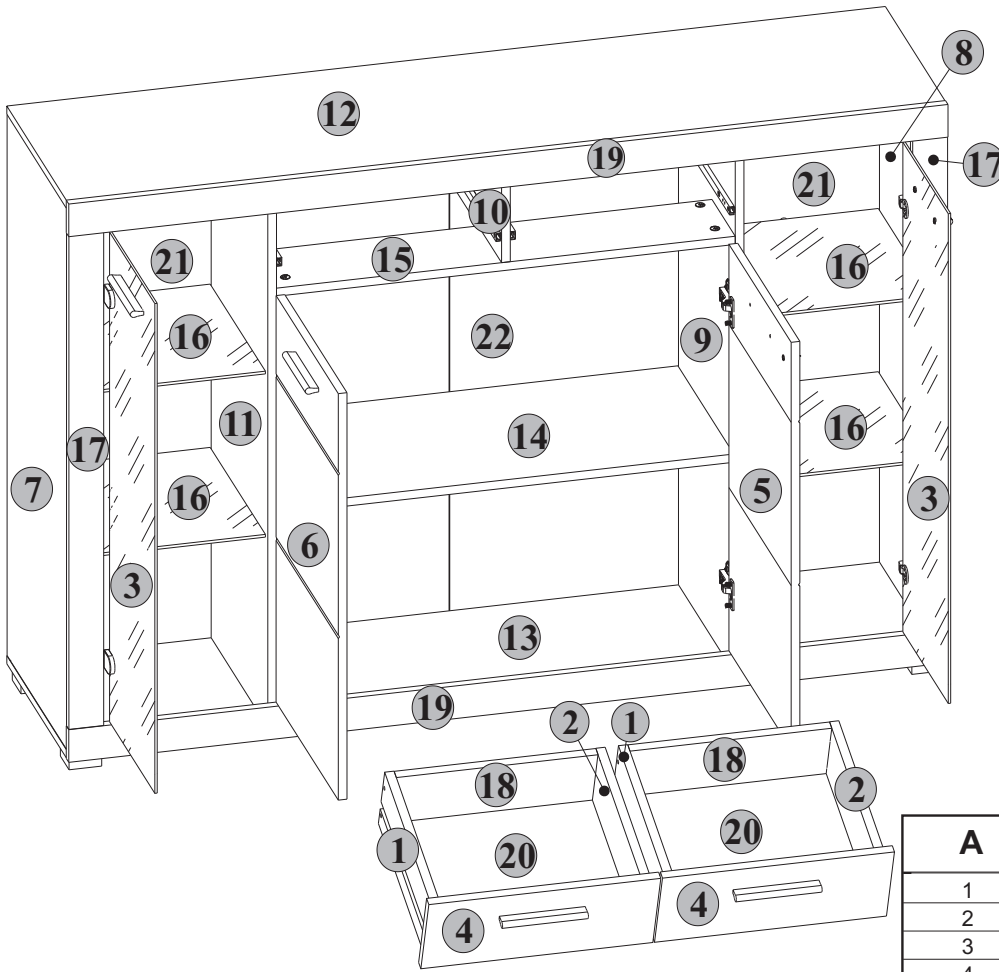
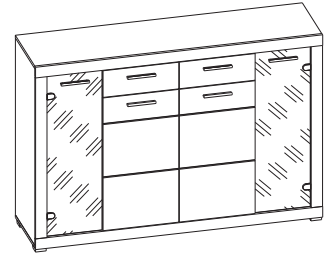


45-531-65

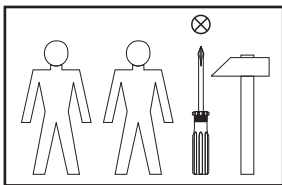
45-531-66, 45-531-A4

CANCAN

S300-KOM2D2S2W

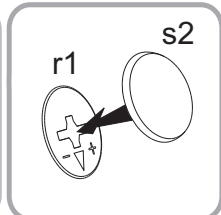
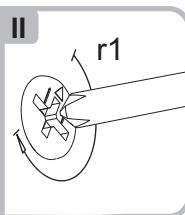
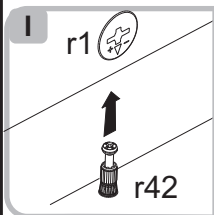
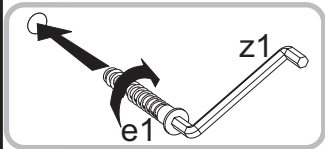
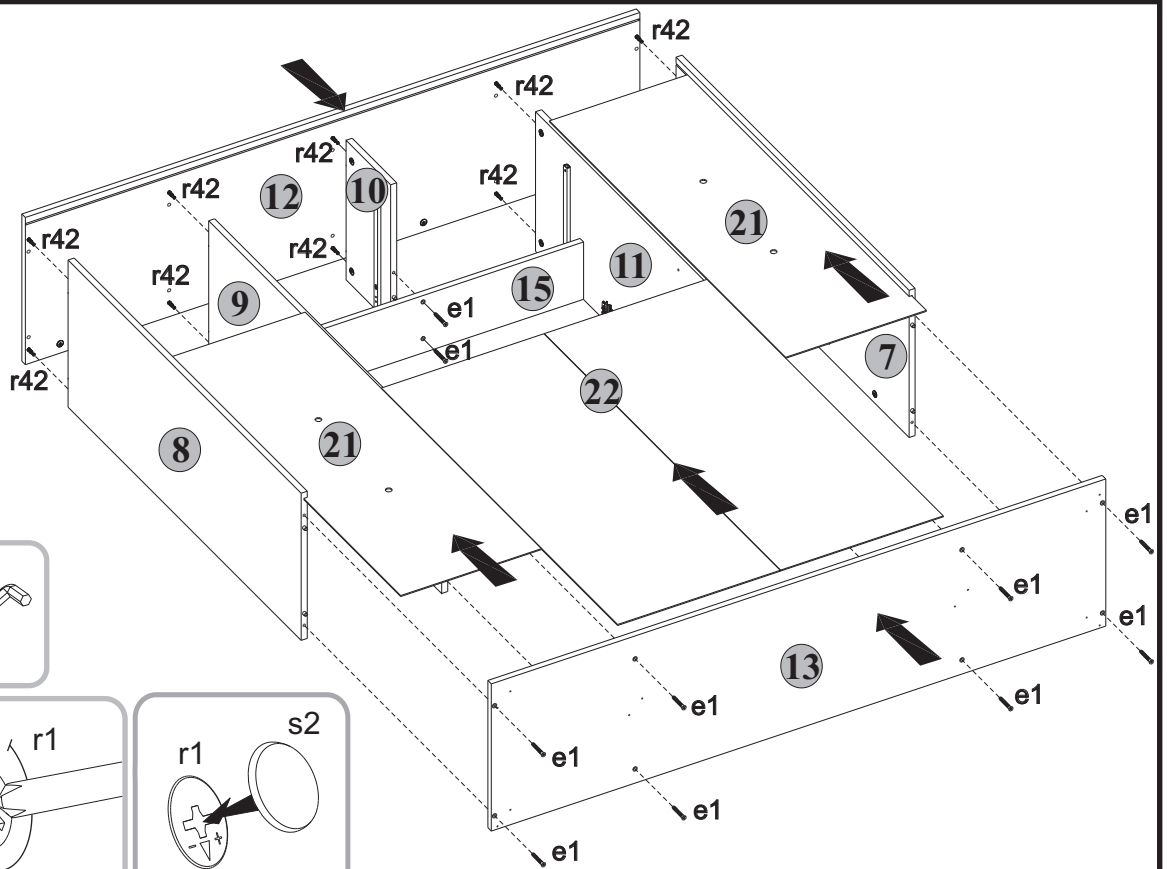


A	B	C	D
1	MZ1-526	320x120	1/2
2	MZ1-527	320x120	1/2
3	S300-001	900x292	1/2
4	S300-010	400x150	1/2
5	S300-011	747x400	2/2
6	S300-012	747x400	2/2
7	S300-112	995x385	1/2
8	S300-113	995x385	1/2
9	S300-114	995x365	1/2
10	S300-115	190x365	1/2
11	S300-116	995x365	1/2
12	S300-208	1515x385	2/2
13	S300-209	1515x385	2/2
14	S300-308	789x360	1/2
15	S300-309	791x150	1/2
16	S300-310	330x355	1/2
17	S300-530	906x60	1/2
18	S300-514	348x120	1/2
19	S300-534	1516x60	2/2
20	S300-905	315x358	1/2
21	S300-906	1009x347	1/2
22	S300-907	1009x803	2/2

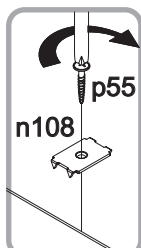
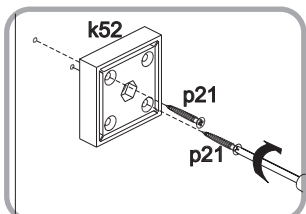
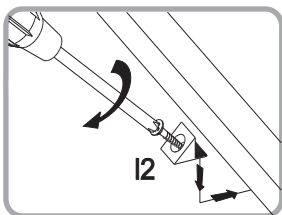
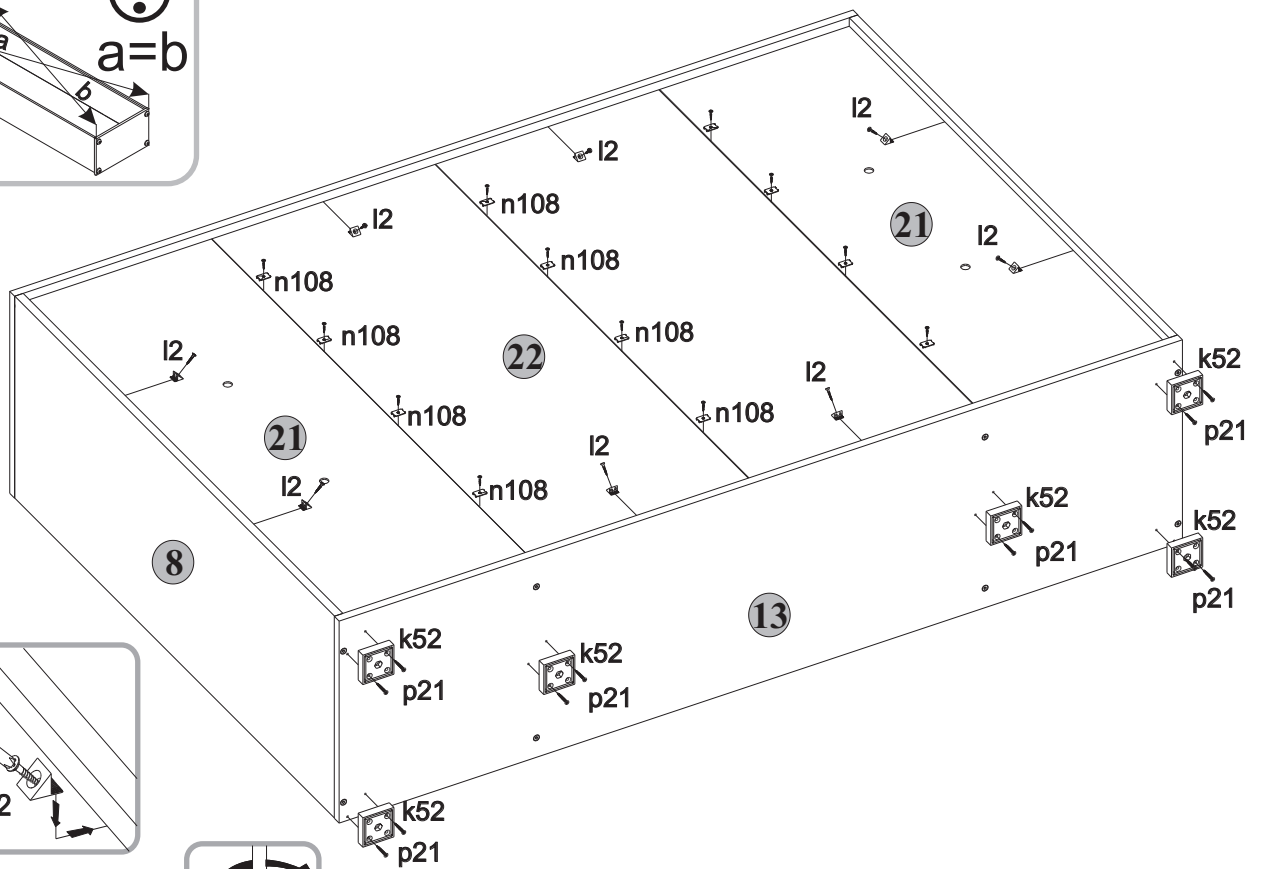
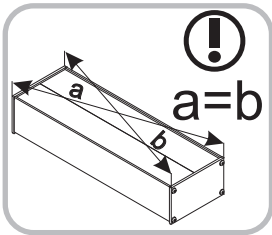


4x KS a54	4x a118	4x a12/7	4x a12/6	4x b1	4x b57	8x φ3x9 mm p32	6x 128 mm c289	10x φ7x50 mm e1
4x φ5x17 mm d1	16x φ5x17 mm d3	8x φ6x13 mm e3	37x φ8x30 mm f1	8x φ6,5x40 mm f25	4x M4x12 mm j3	6x 56x56x20 mm k52	8x l2	8x 20x13x3,51 mm n108
8x φ2,9x16 mm p55	4x o1	4x φ4x12 mm p59	12x φ4x30 mm p21	8x φ4x30 mm p9	28x φ15x12mm #16 r1	28x r42	14x ø16 s2	4x 310 mm w4
1x GLUE y1	1x z1	4x o43/1	1x o43/6					

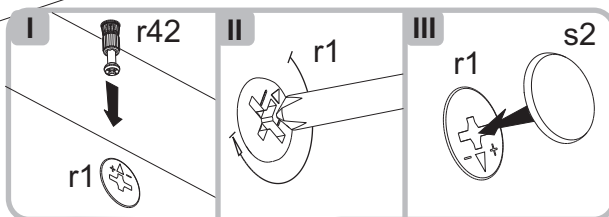
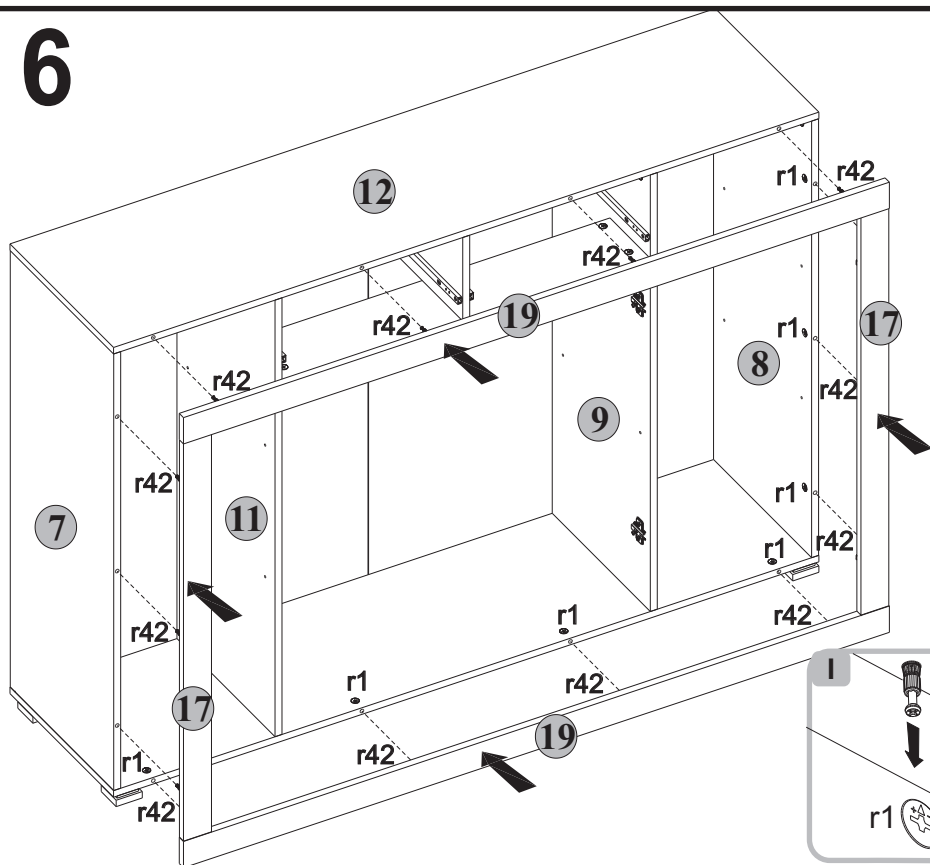
4



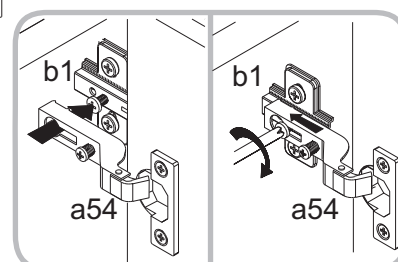
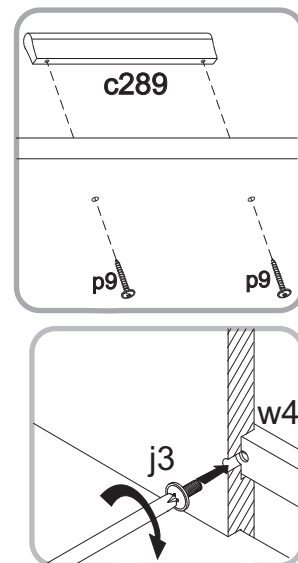
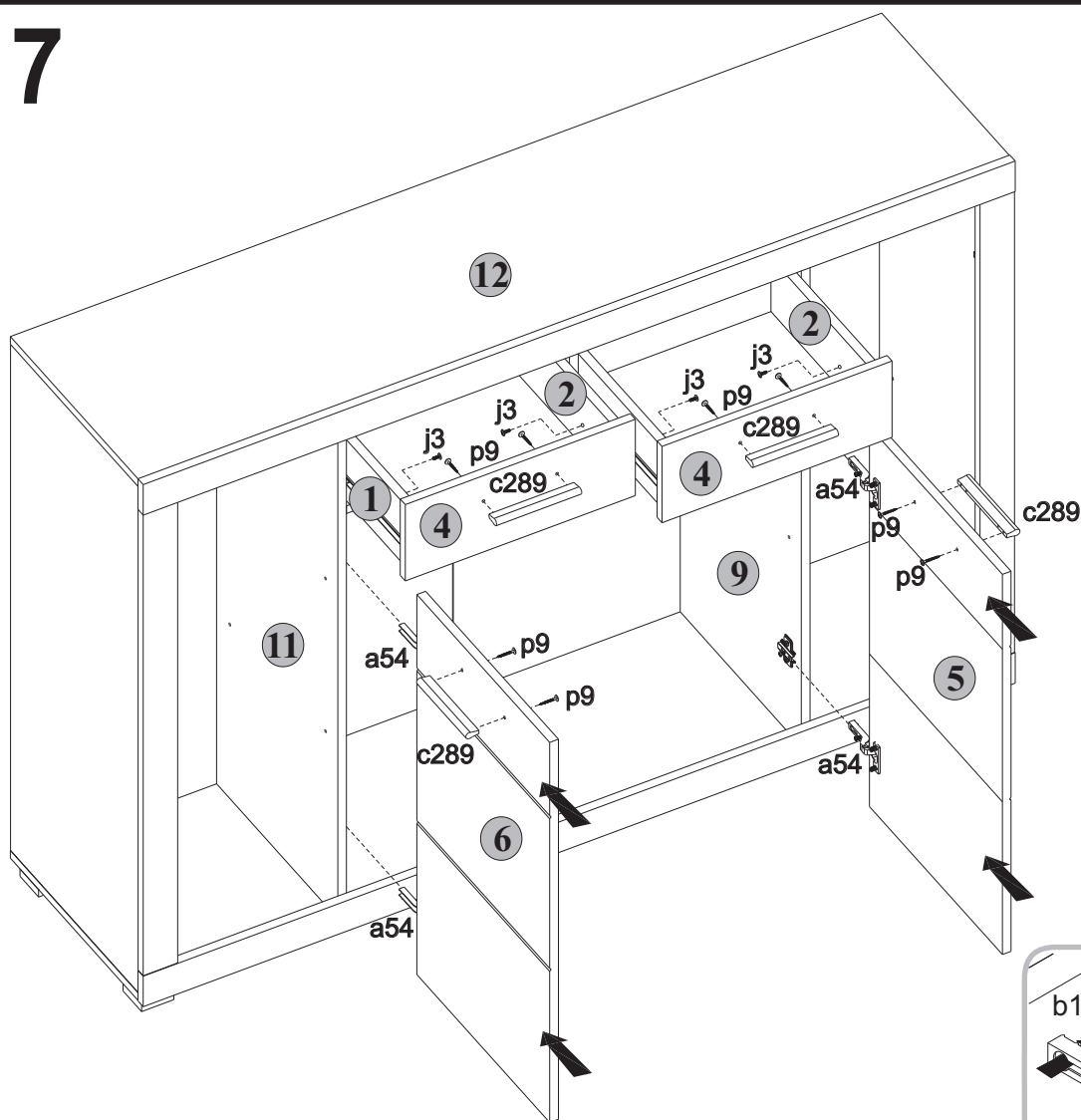
5



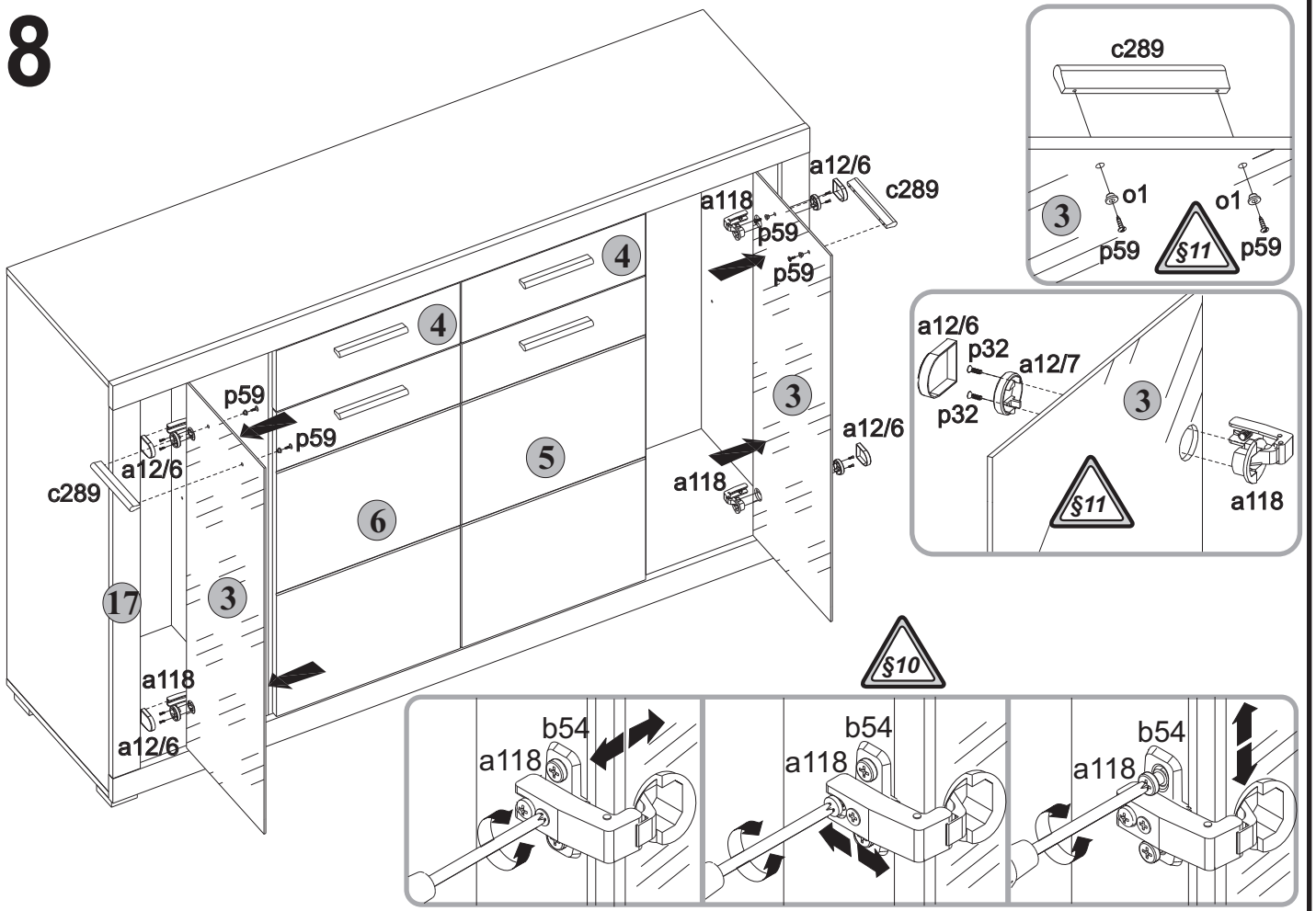
6



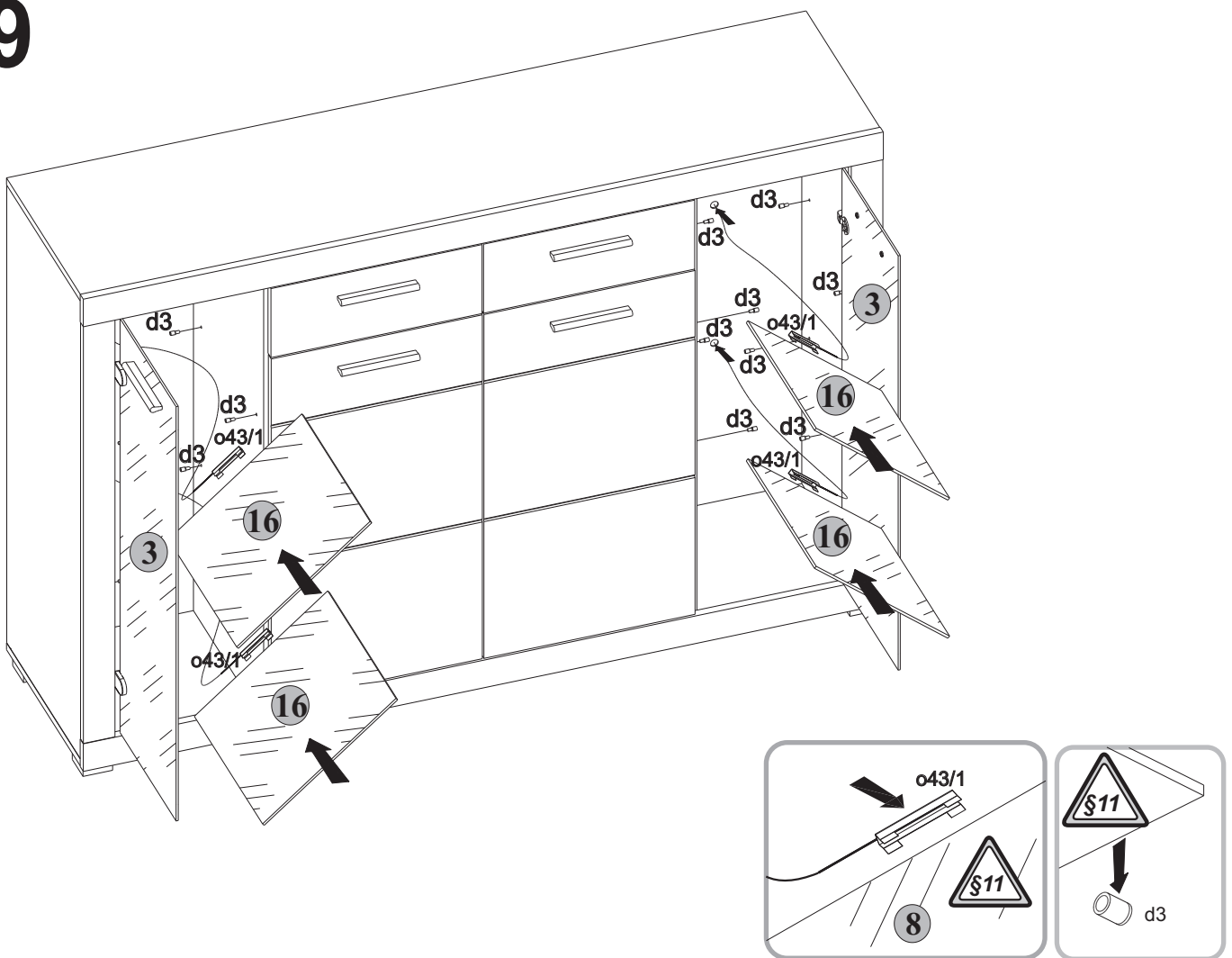
7



8



9



10

