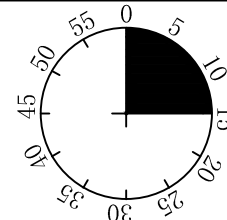
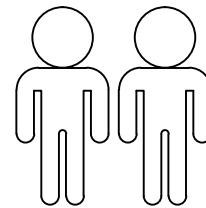
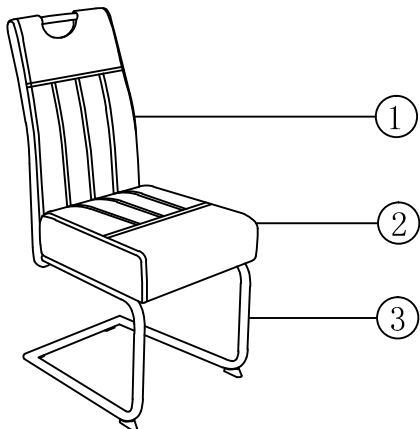


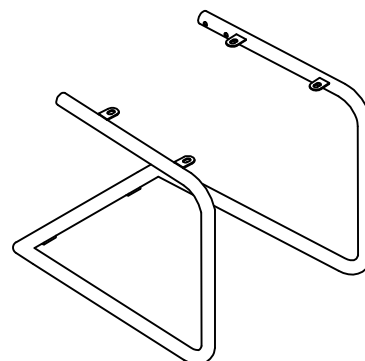
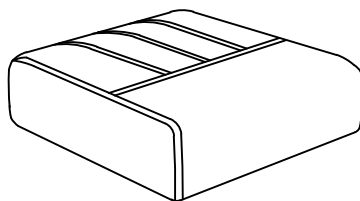
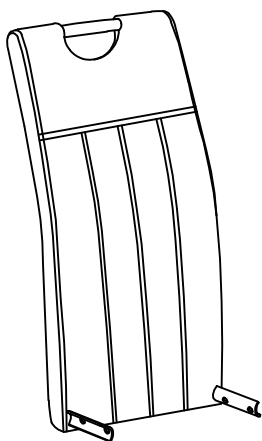
# Betty



1

2

3



1	1x
2	1x
3	1x

A	M6X20	B	M8x20	C	Ø18xØ8x1.5	D	Ø18xØ6x1.5	E	M8	F	4MM
	4x		4x		4x		4x		4x		1x
G	6MM	H	M4x20	I							
	1x		4x		2x						

**I.**

**1**

**H** M4x20  
4x

**I**  
2x

100%

**2**

**B** M8x20  
4x

**C** Ø18xØ8x1.5  
4x

**E** M8  
4x

**G** 6MM  
1x

75%

**3**

**A** M6x20  
4x

**D** Ø18xØ6x1.5  
4x

**F** 4MM  
1x

75%

**4**

**F** 4MM  
1x

**G** 6MM  
1x

100%

