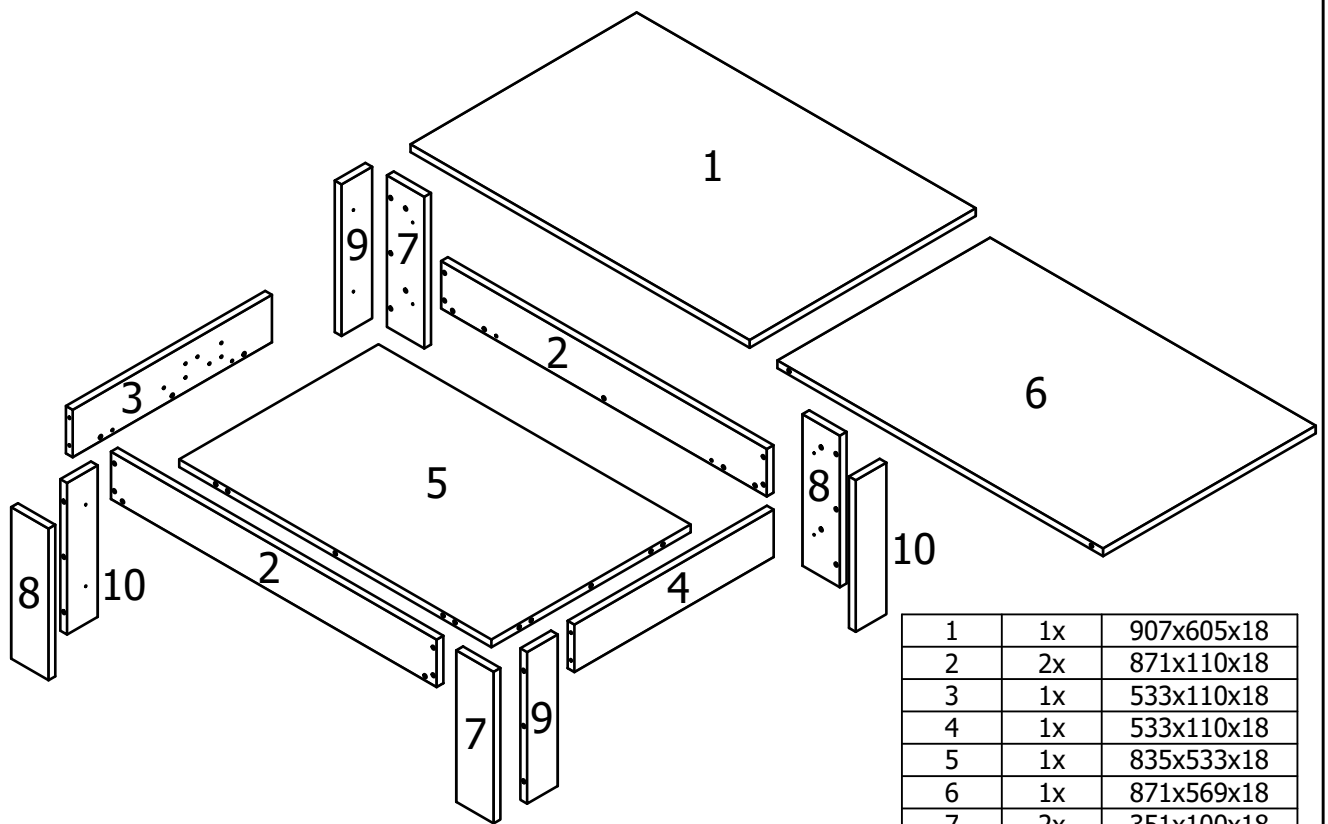
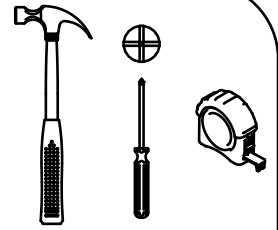
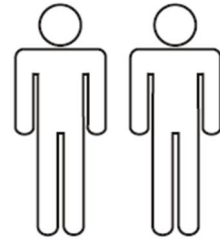
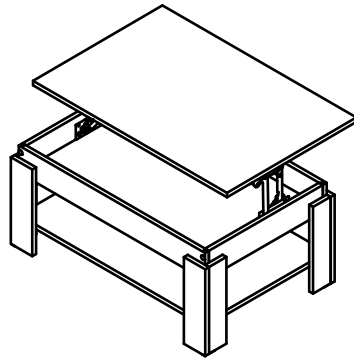
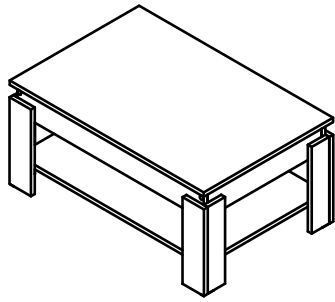
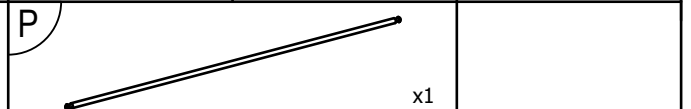
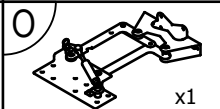
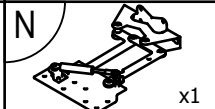
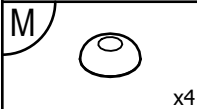
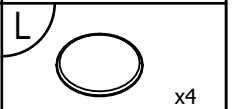
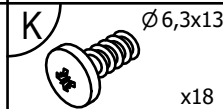
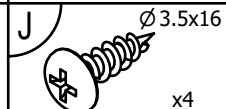
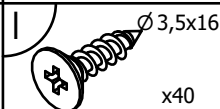
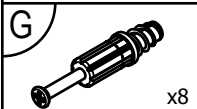
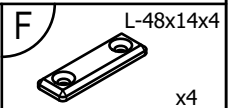
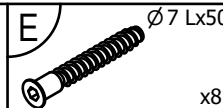
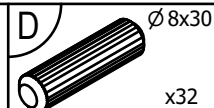
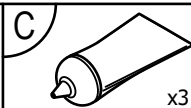
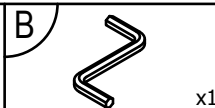
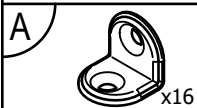


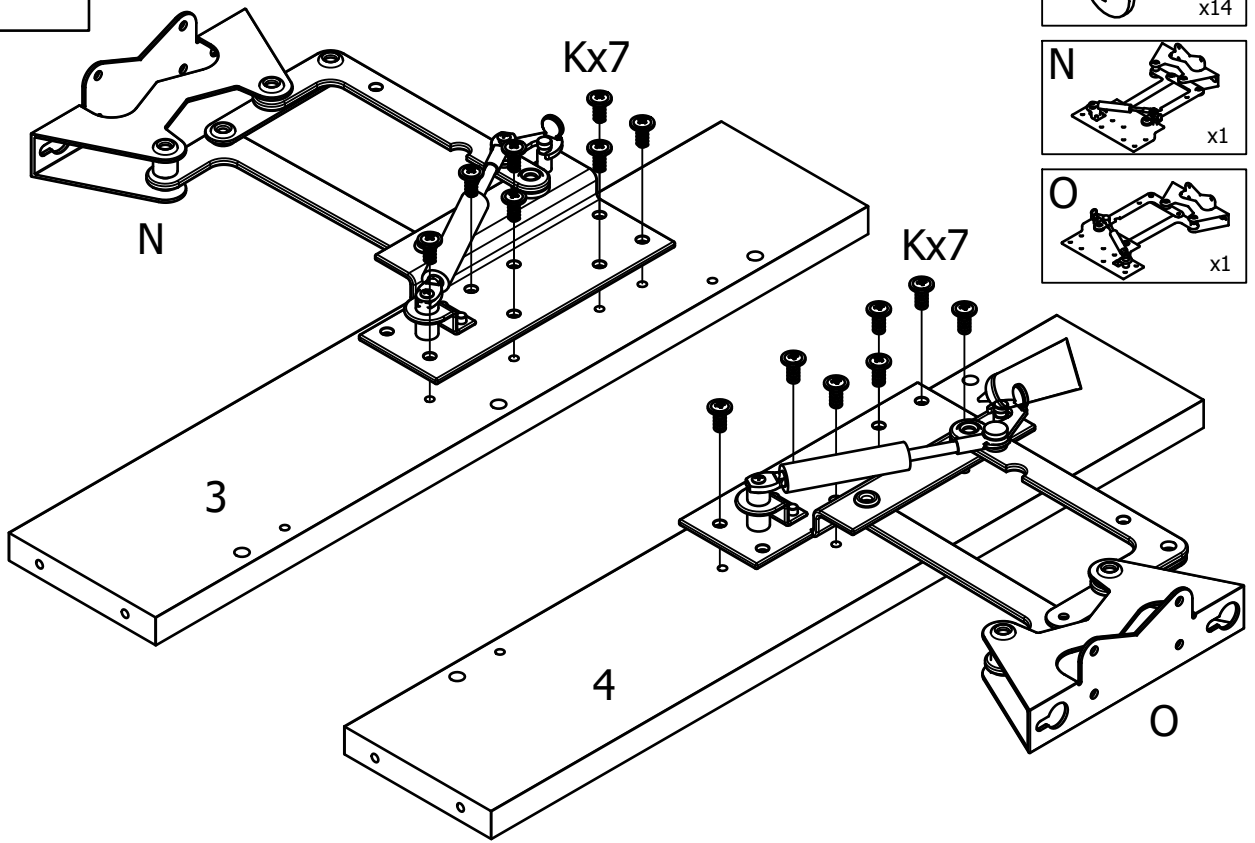
THEO



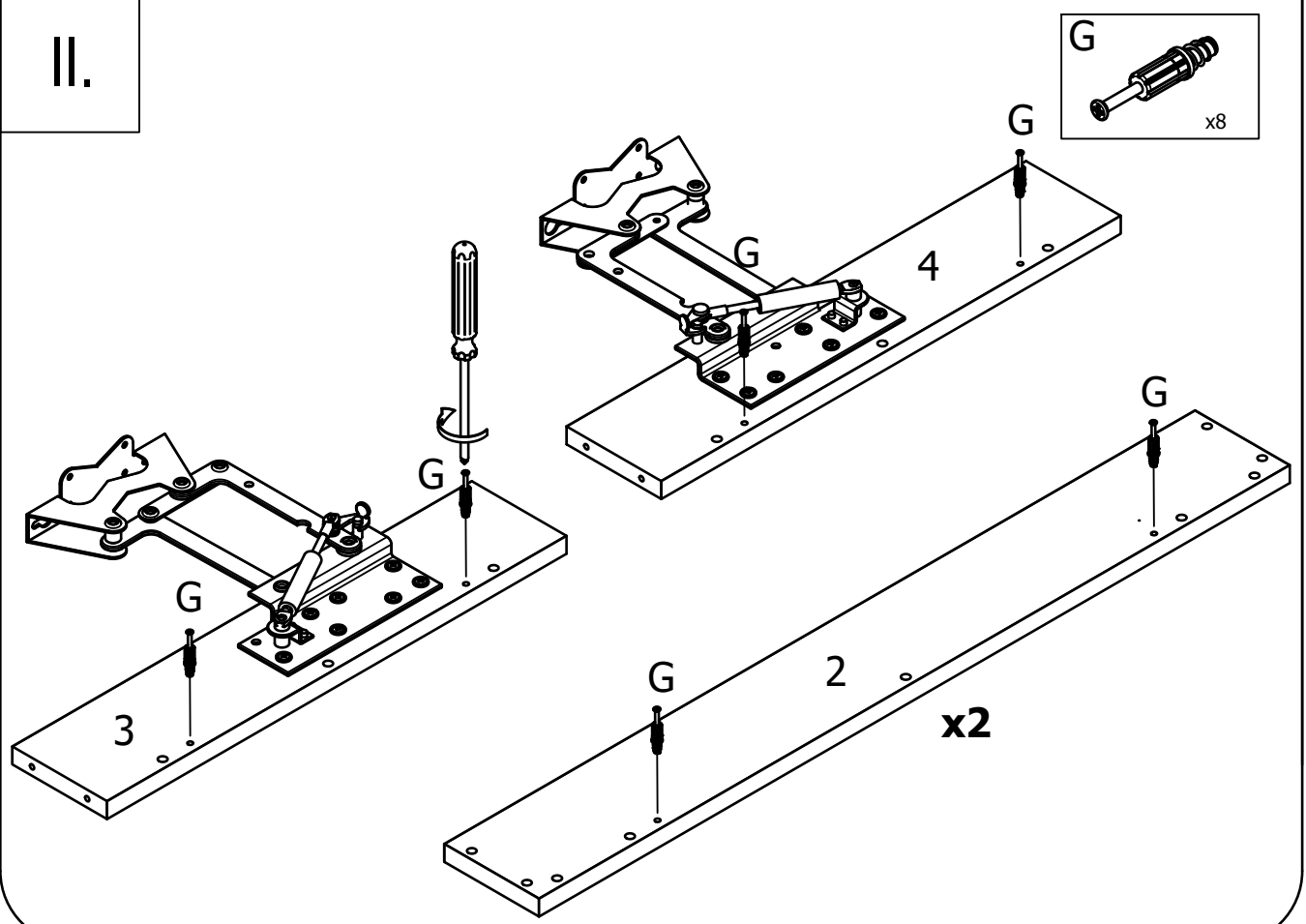
1	1x	907x605x18
2	2x	871x110x18
3	1x	533x110x18
4	1x	533x110x18
5	1x	835x533x18
6	1x	871x569x18
7	2x	351x100x18
8	2x	351x100x18
9	2x	351x82x18
10	2x	351x82x18



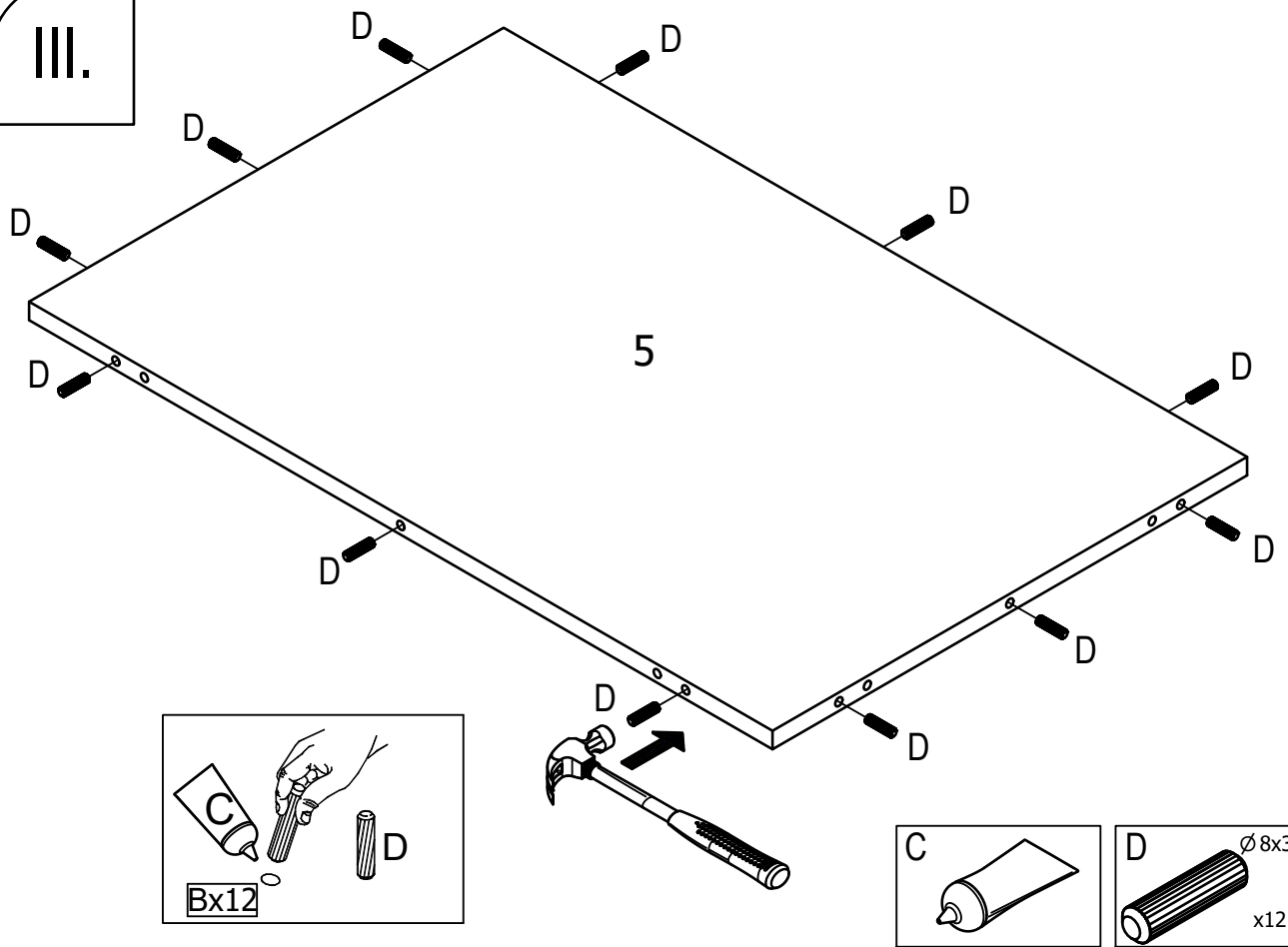
I.



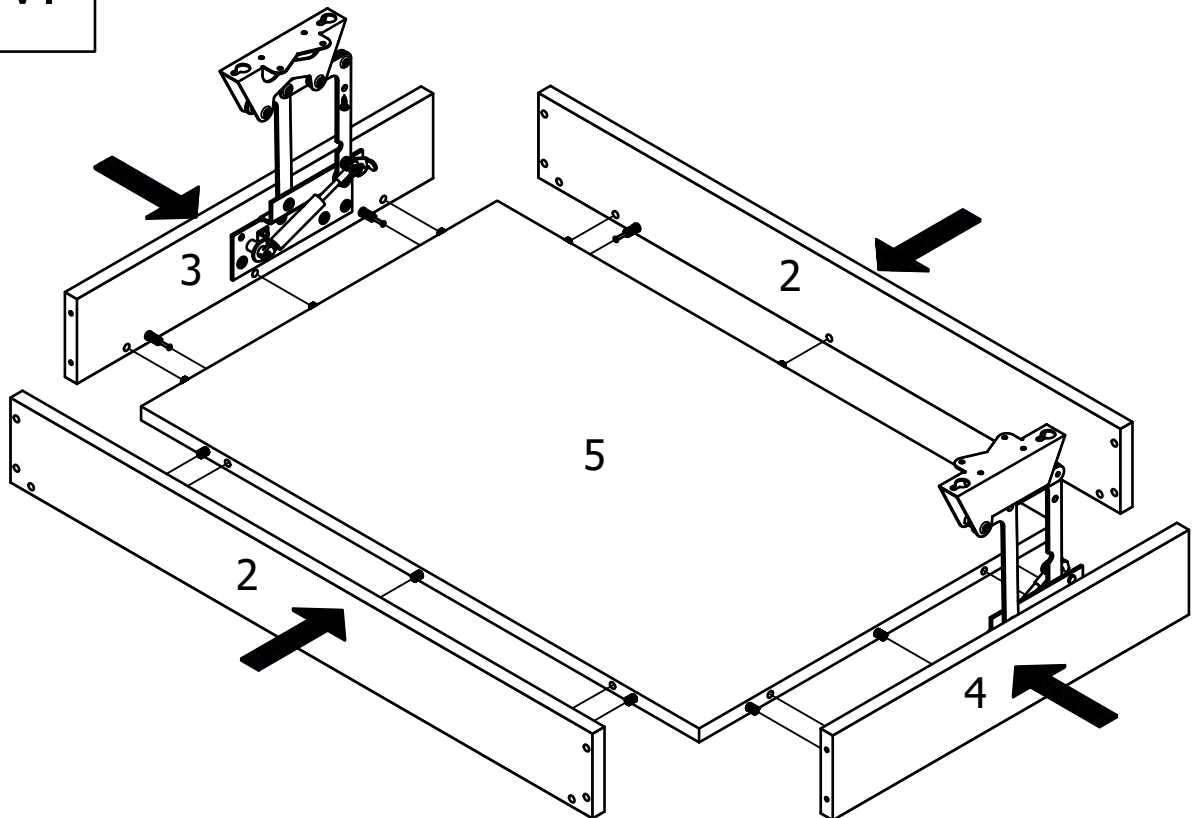
II.



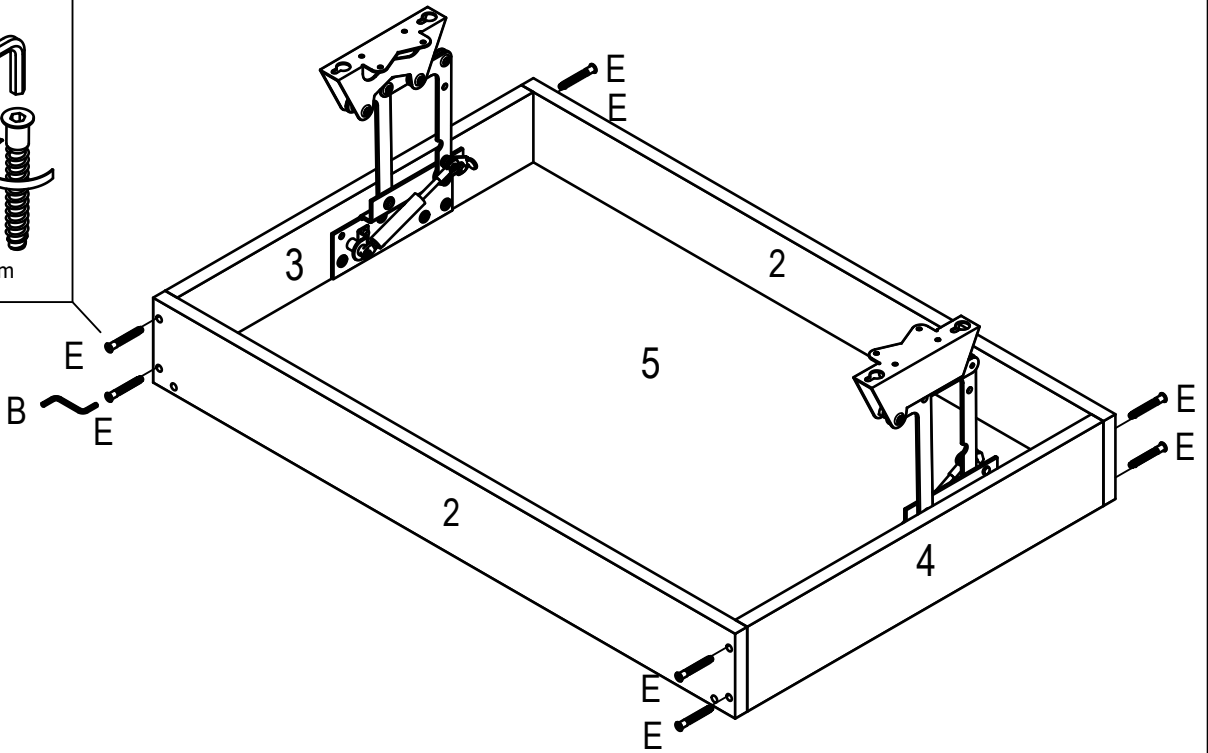
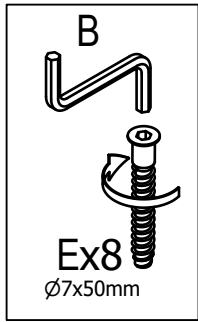
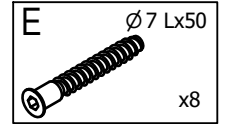
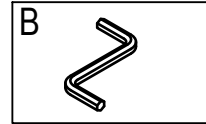
III.



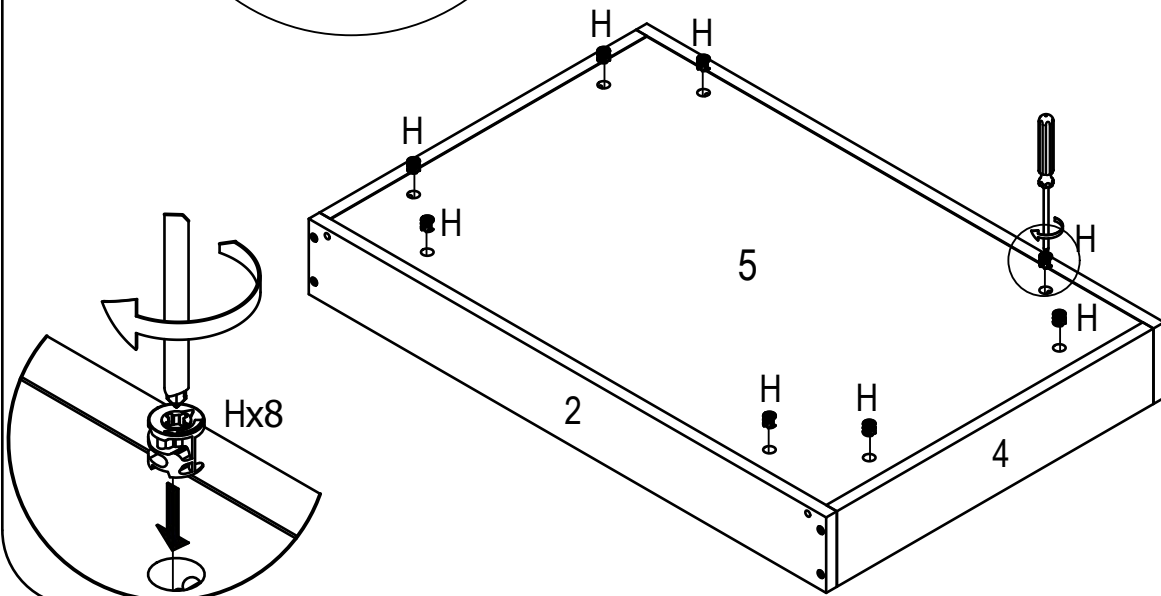
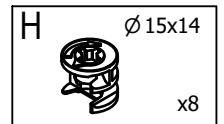
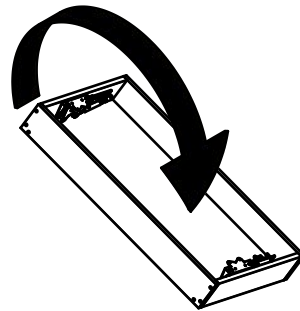
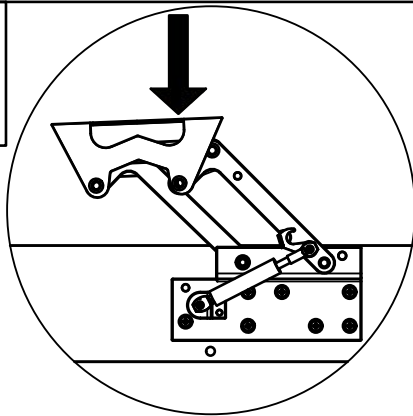
IV.



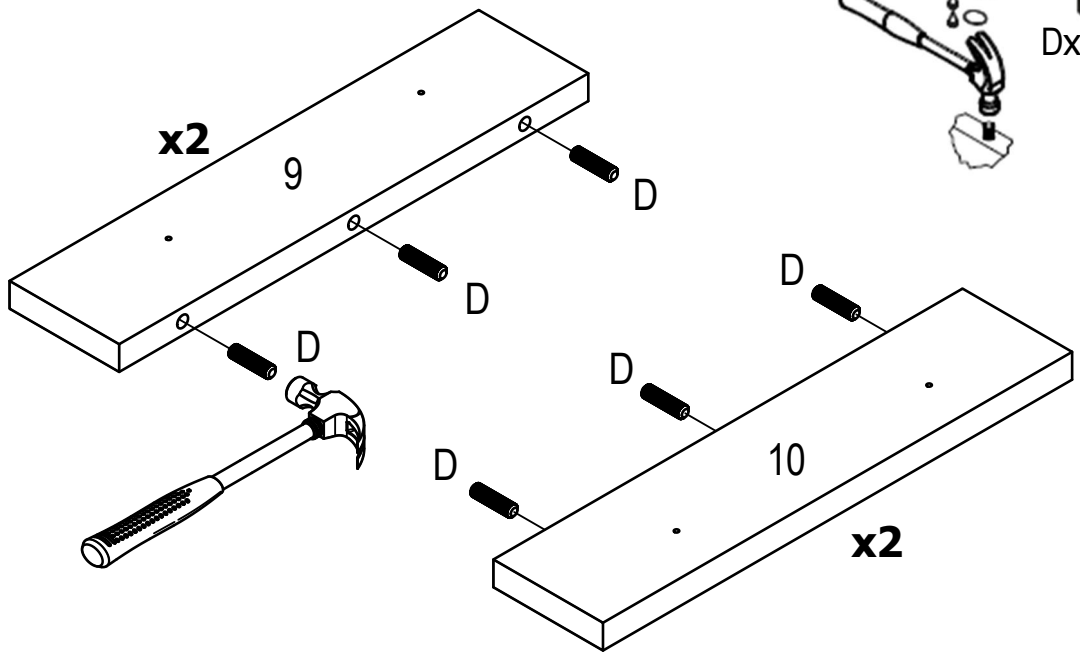
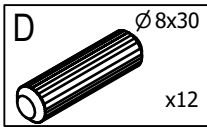
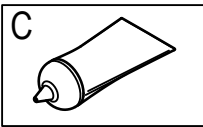
V.



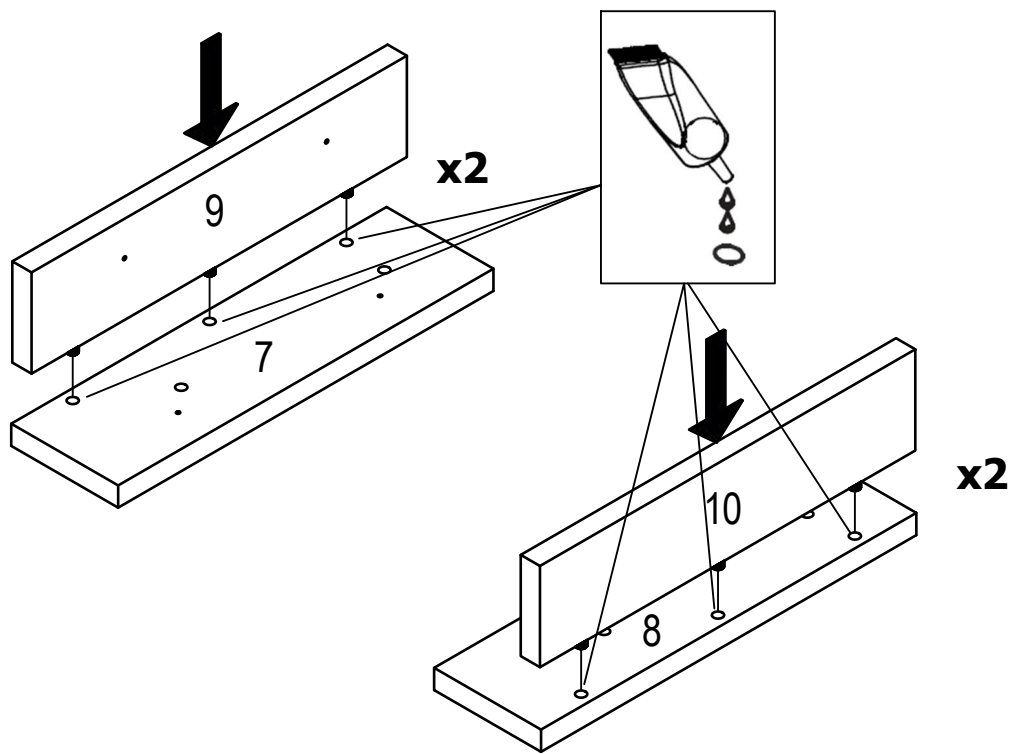
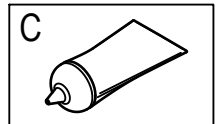
VI.



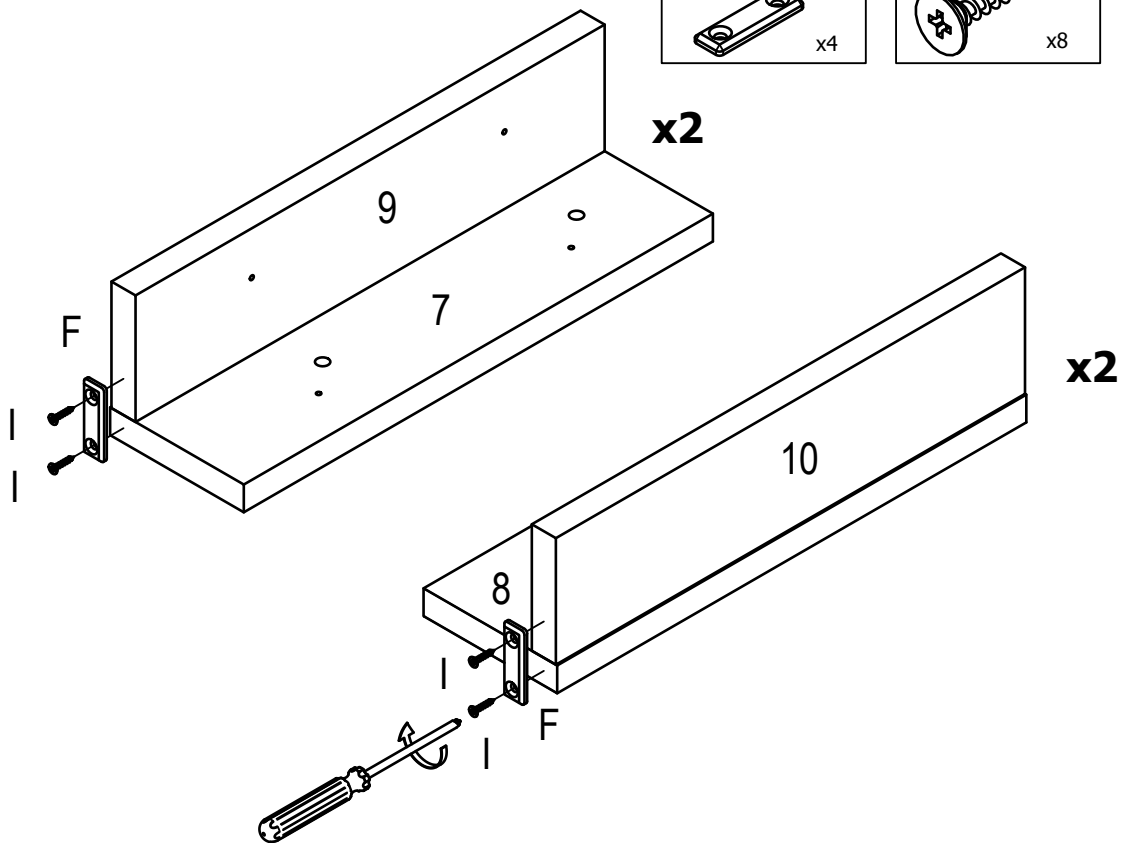
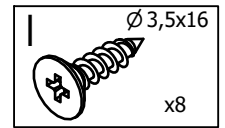
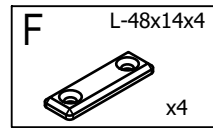
VII.



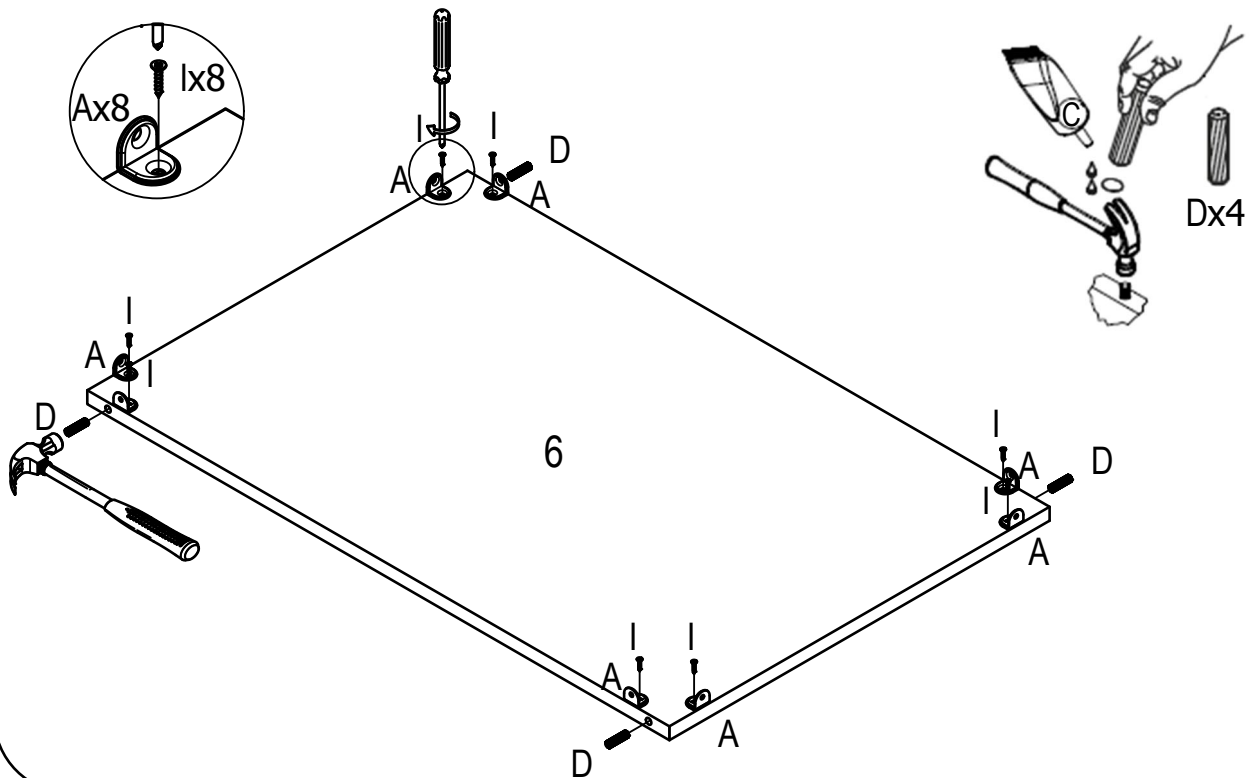
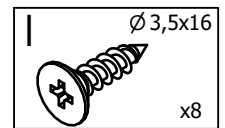
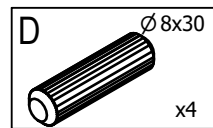
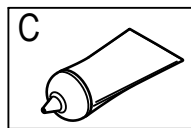
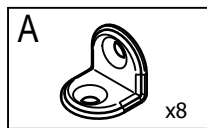
VIII.



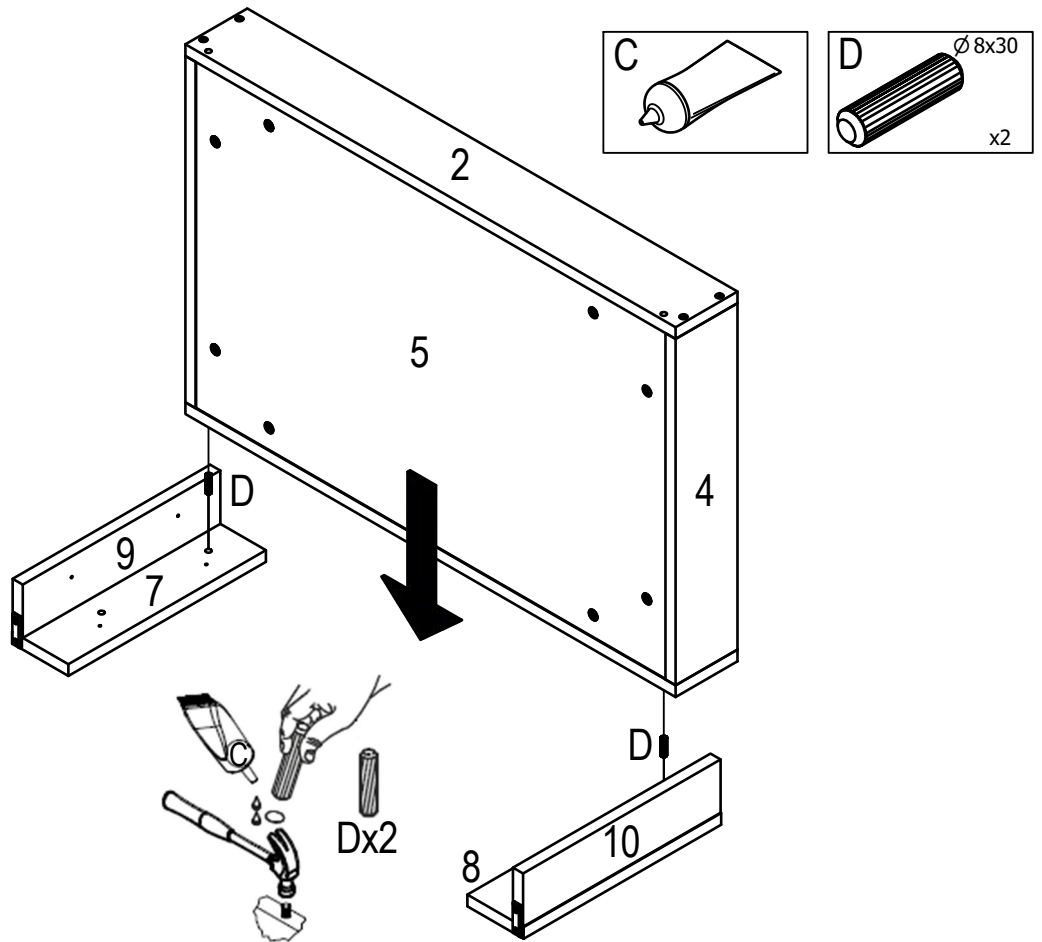
IX.



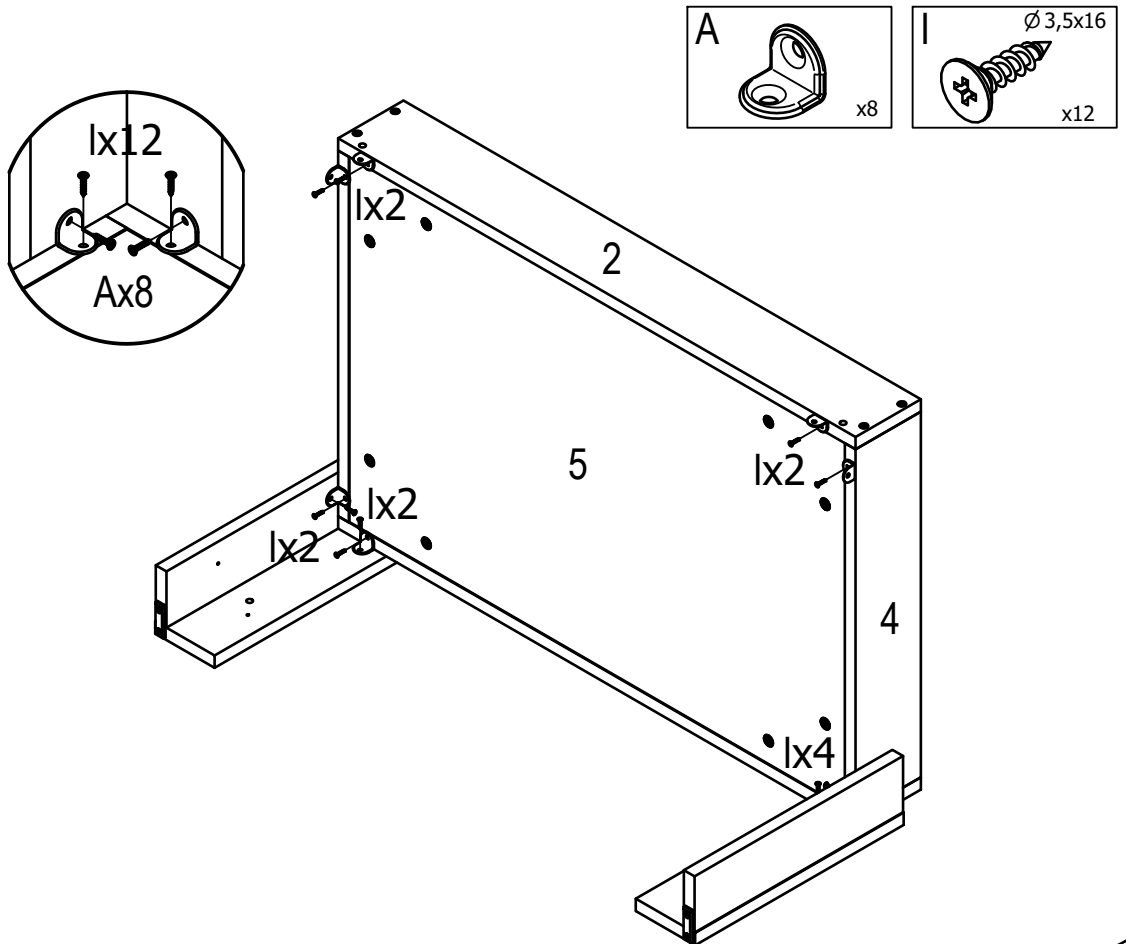
X.



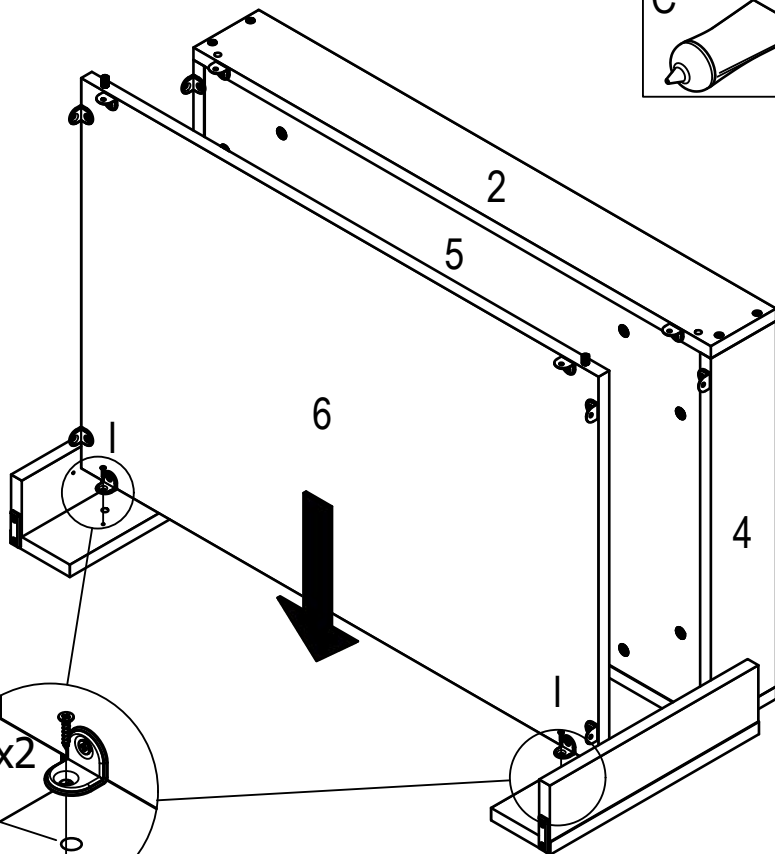
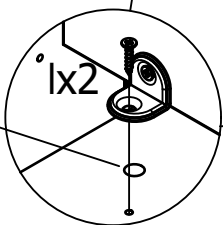
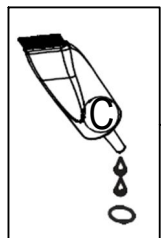
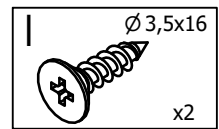
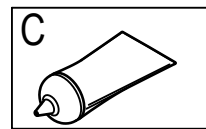
XI.



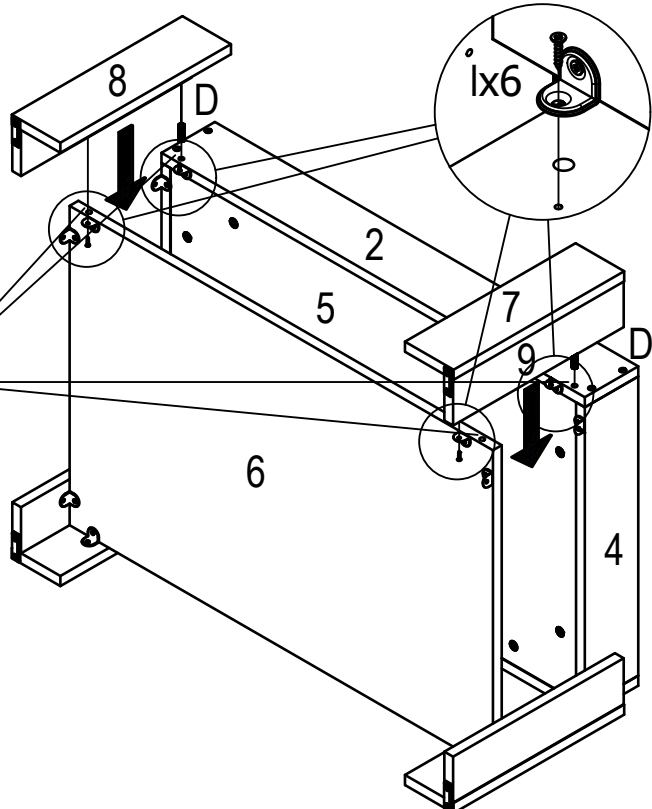
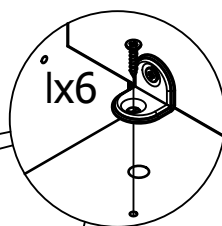
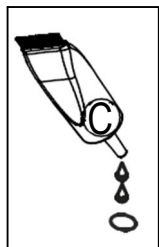
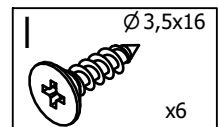
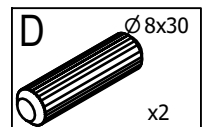
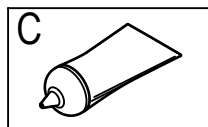
XII.



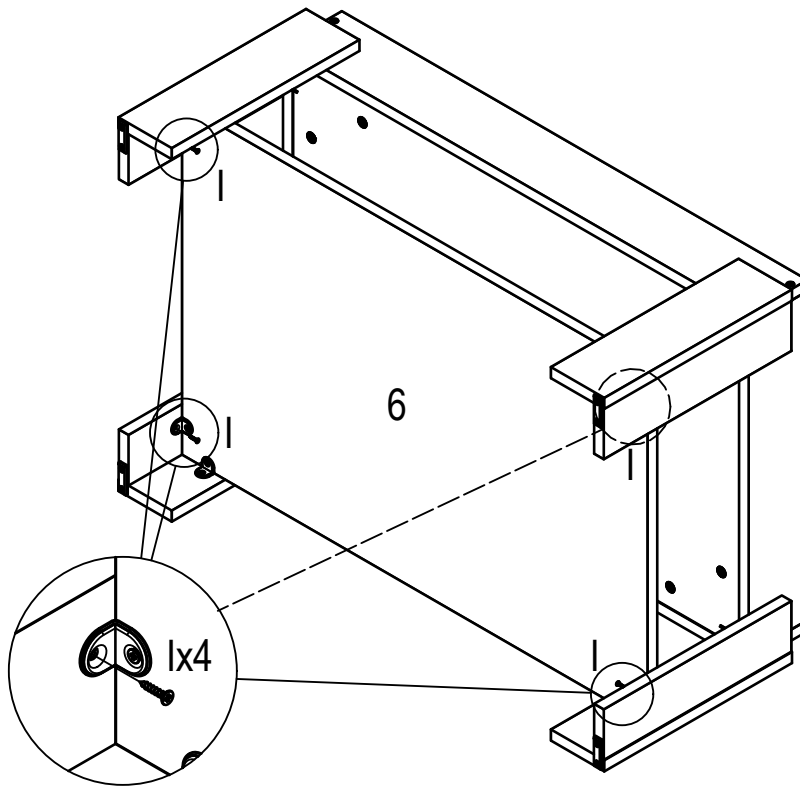
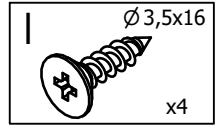
XII.



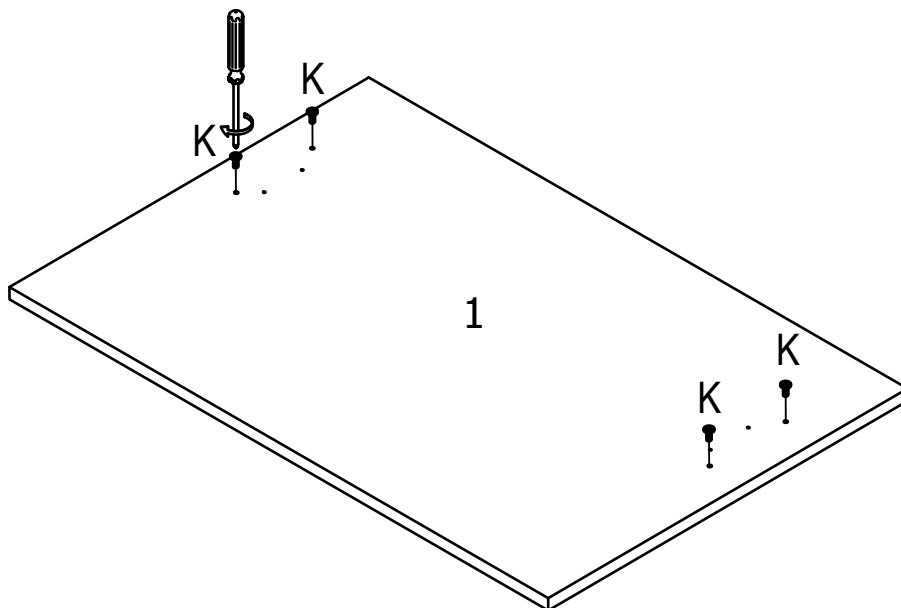
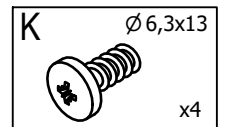
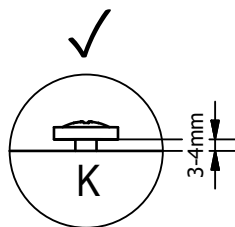
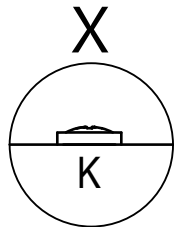
XII.



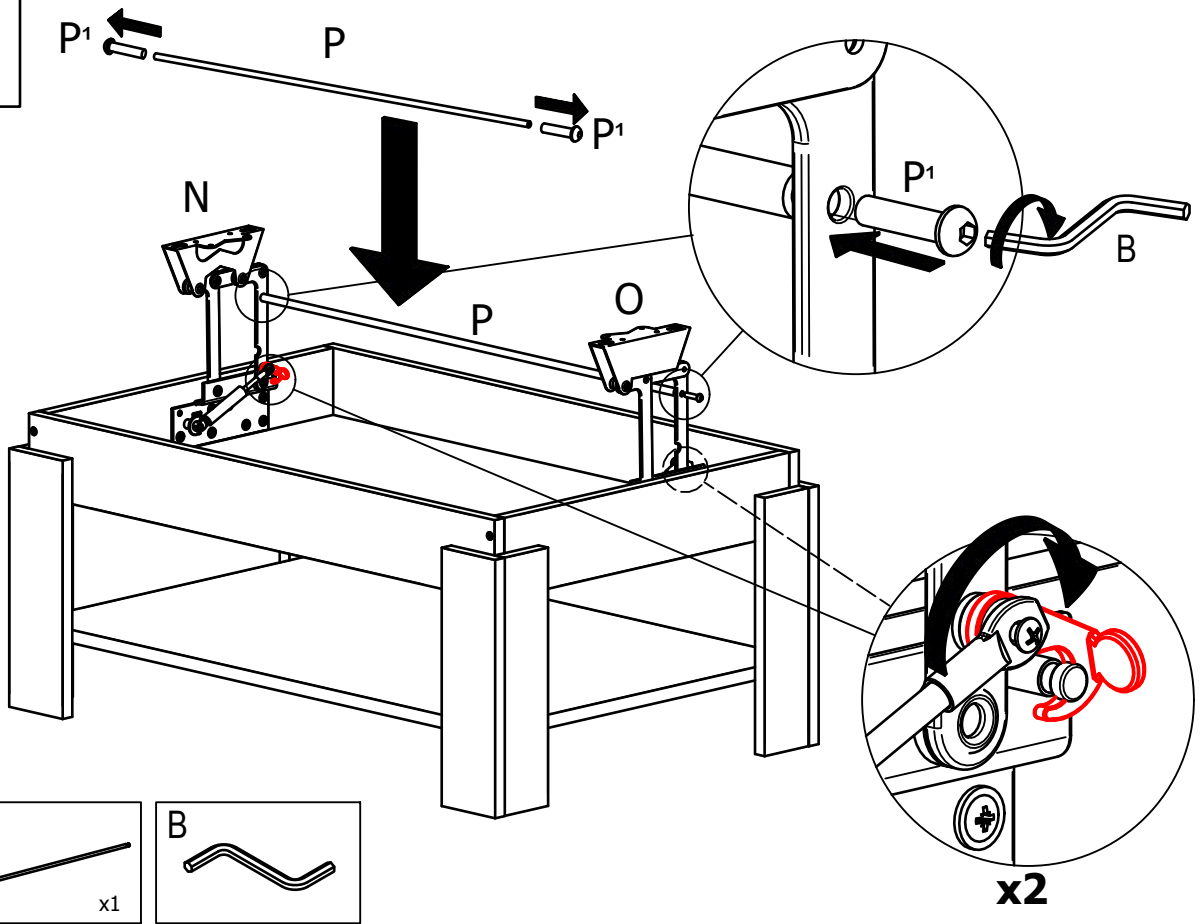
XIII.



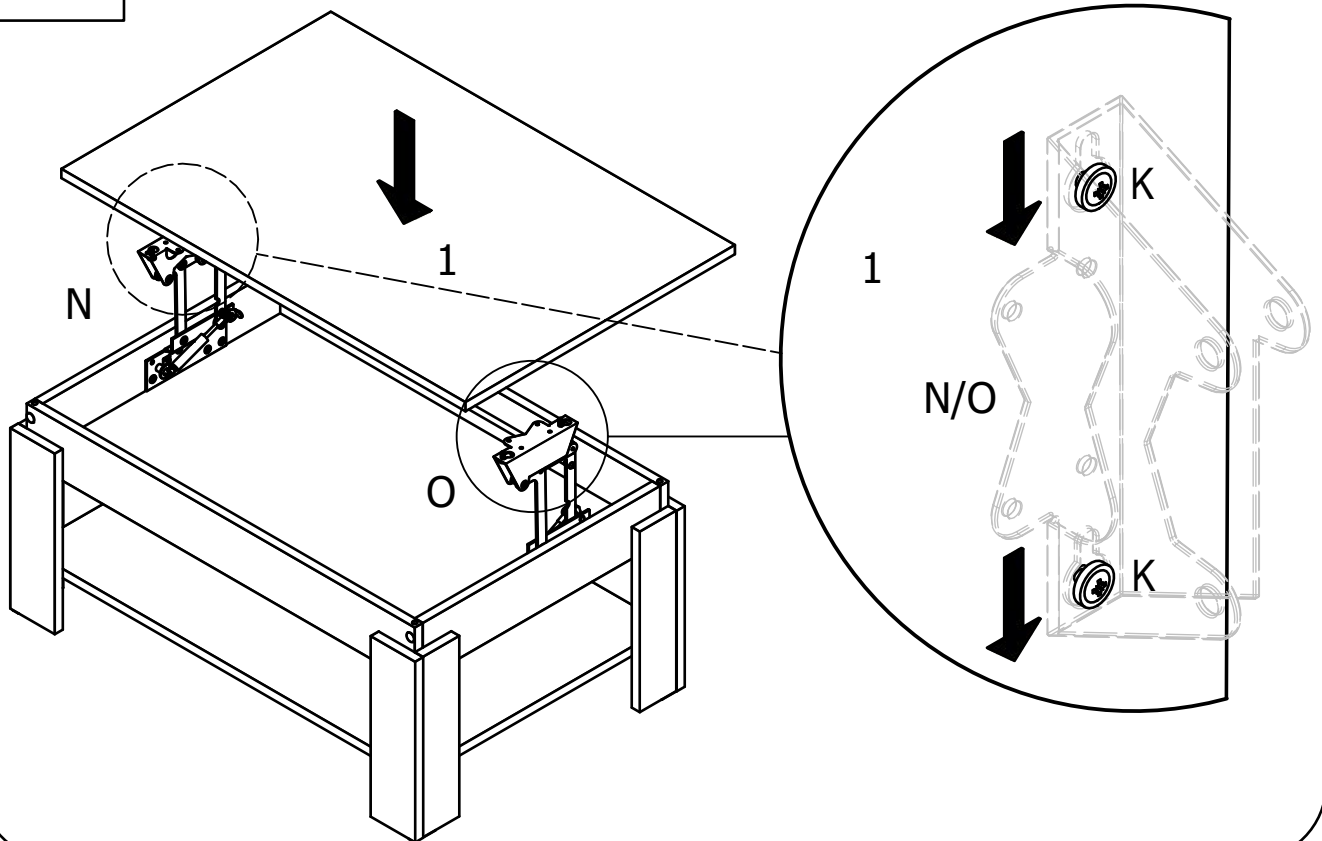
XIV.



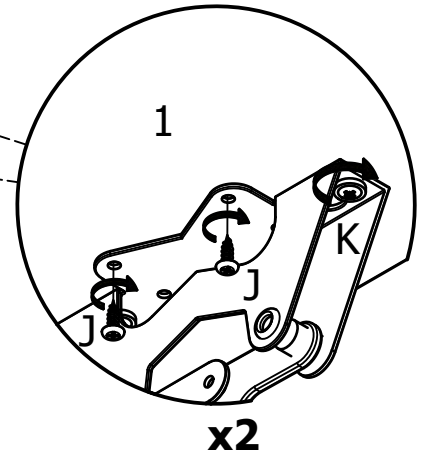
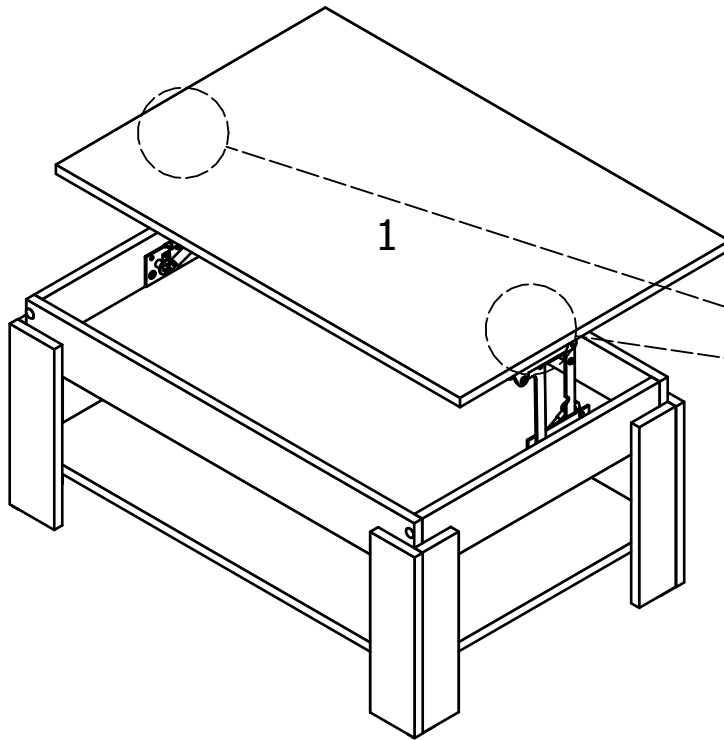
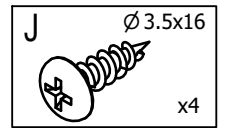
XV.



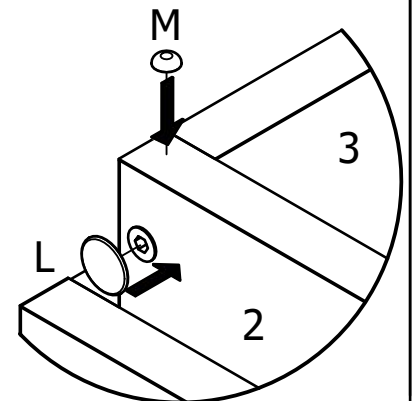
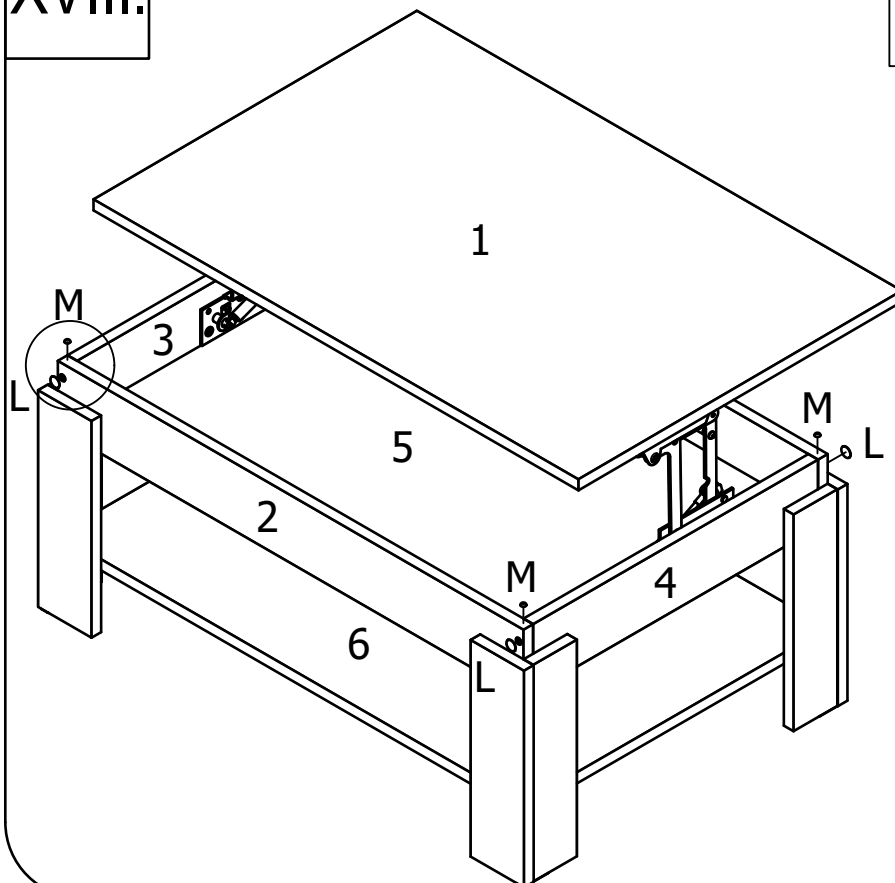
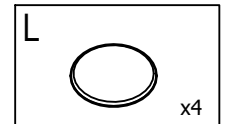
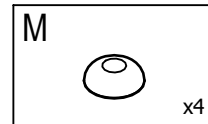
XVI.



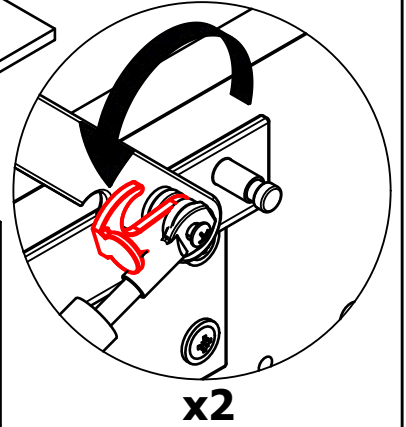
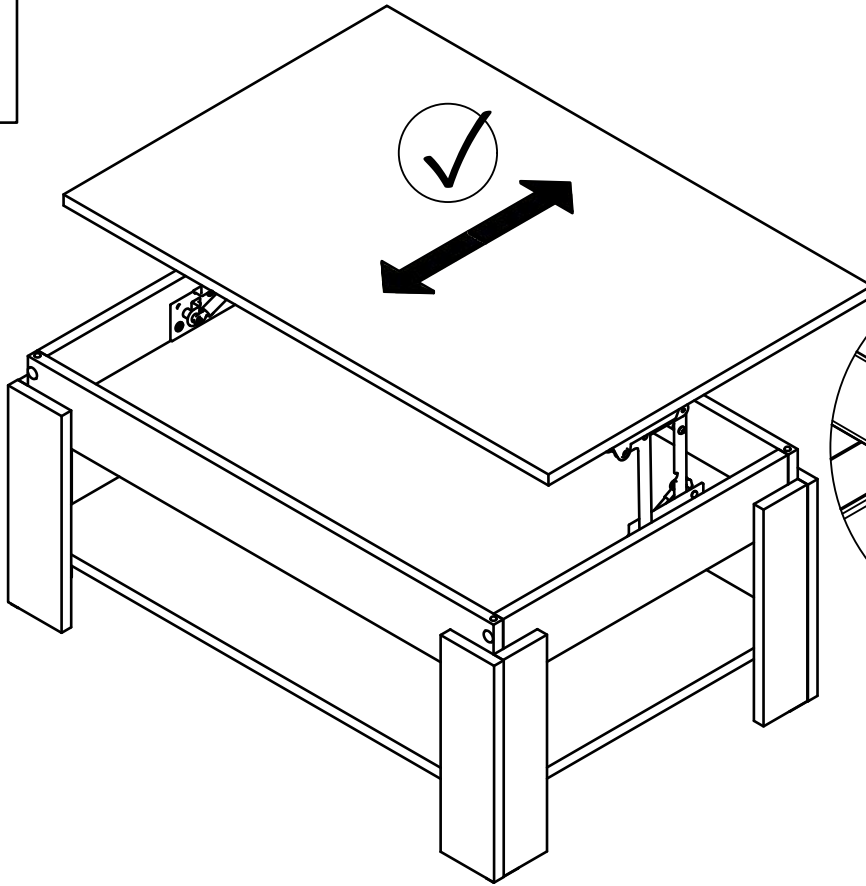
XVII.



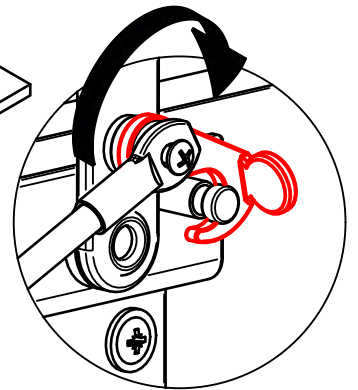
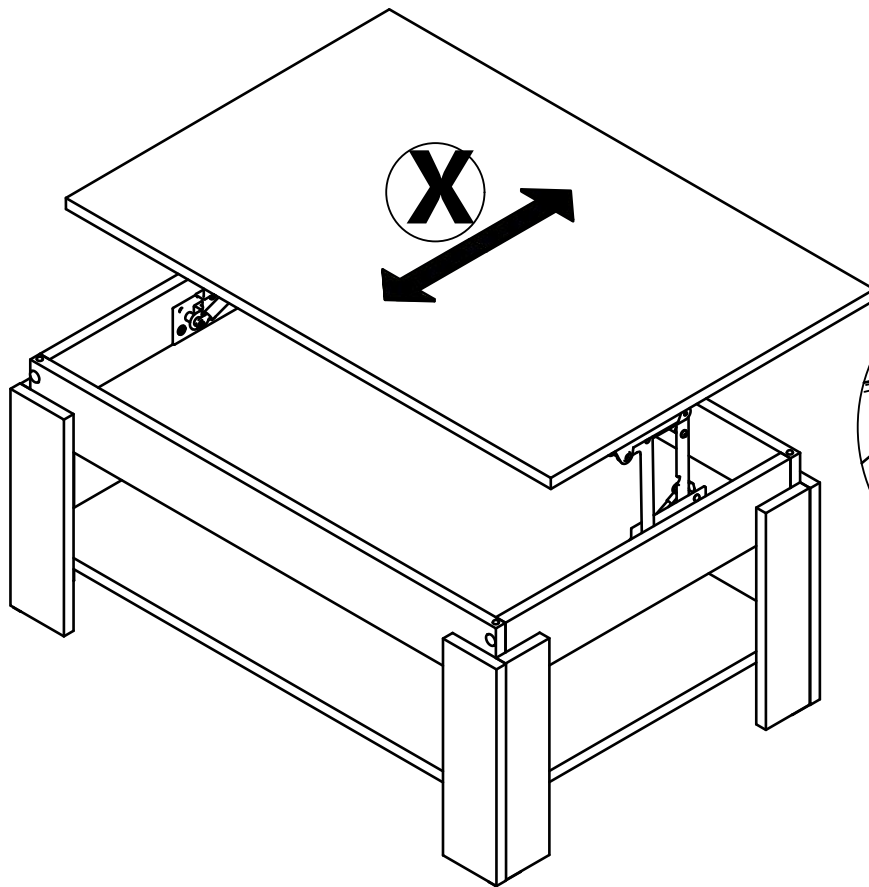
XVIII.



XIX.



x2



x2

XIX.

