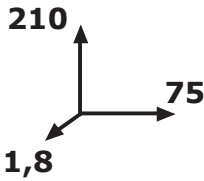
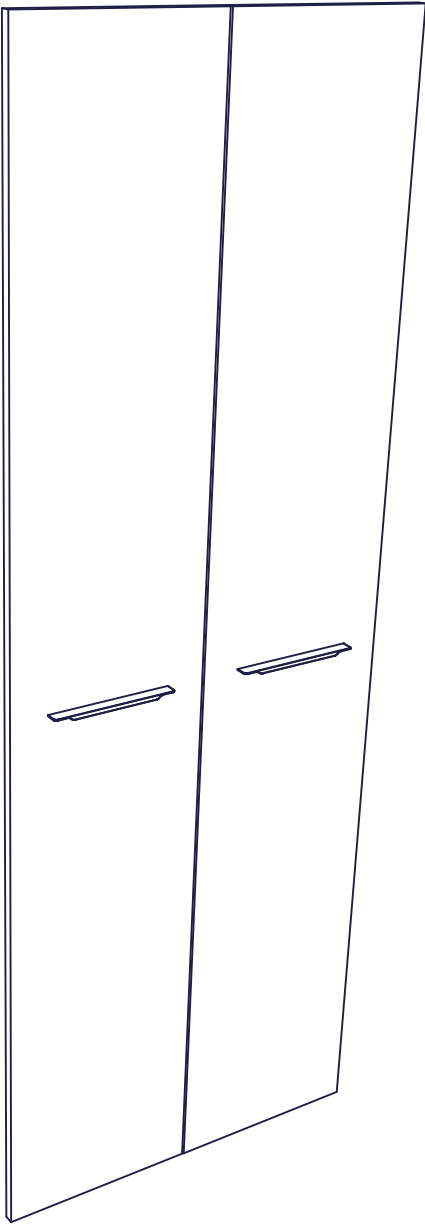
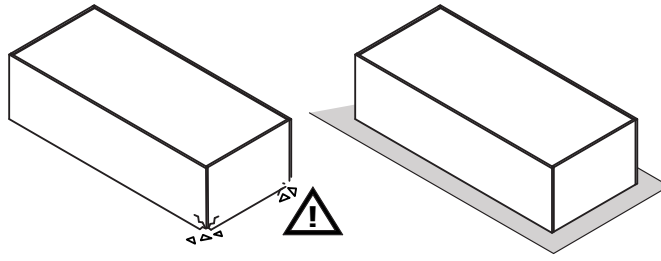
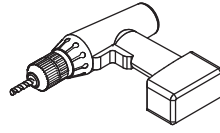
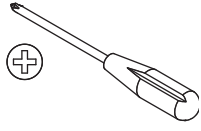
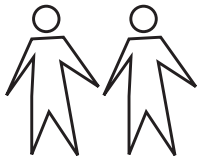


AN4805K30404



QF3547

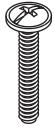


BU2942

BU2929



H113
x10

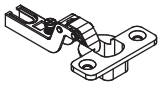


V137
x4

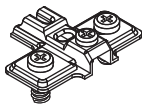


G31
x4

BU0319 x4



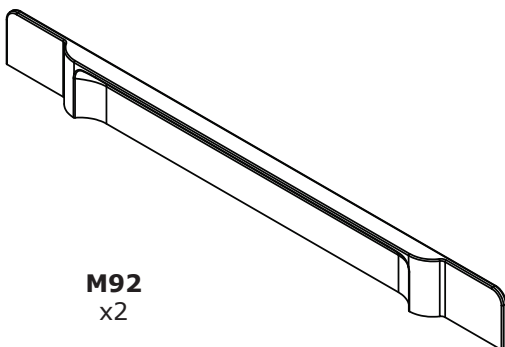
C39
x2



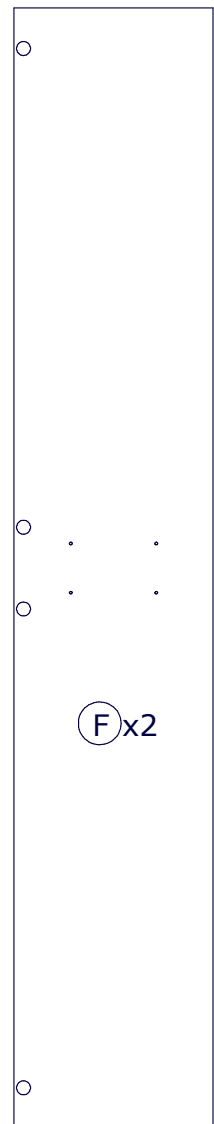
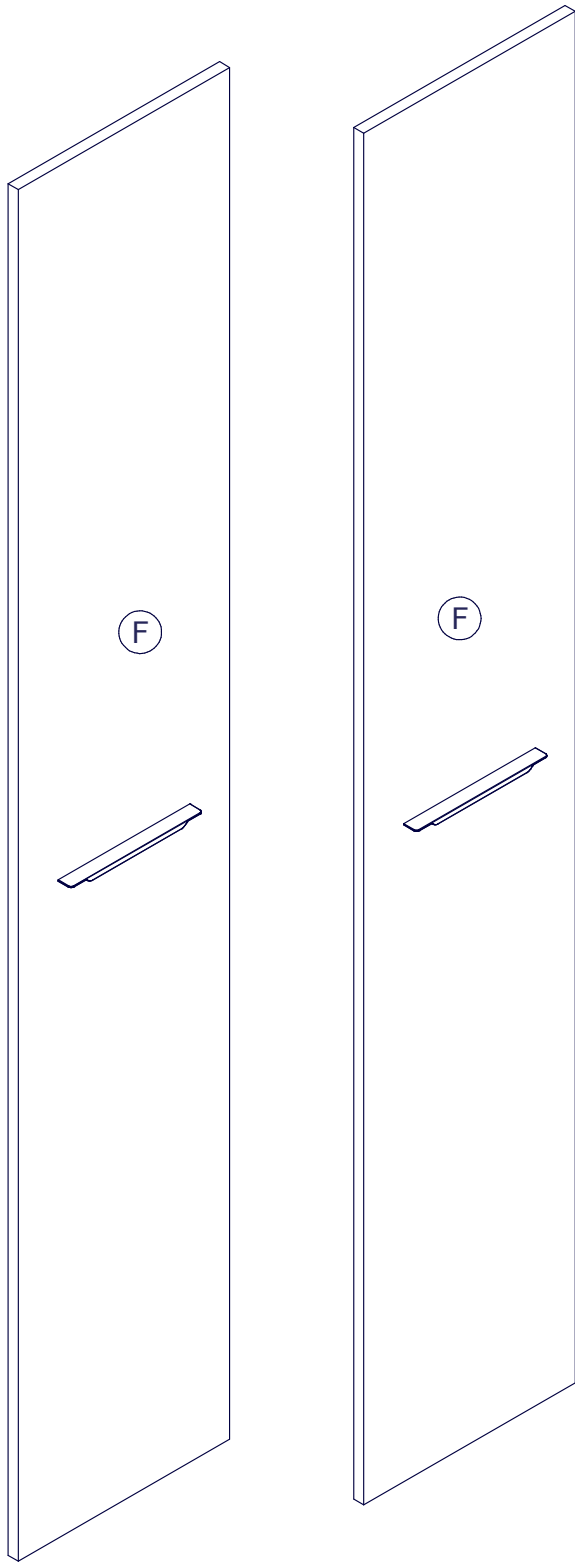
B9
x2



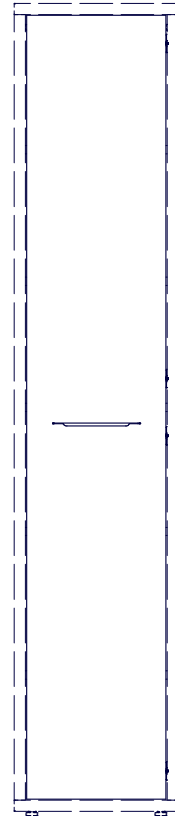
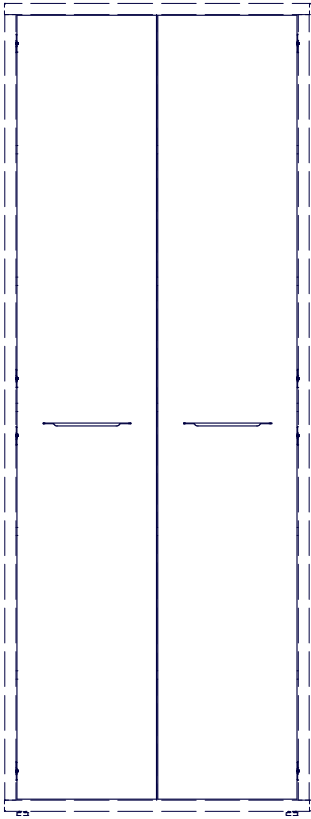
V5
x4



M92
x2

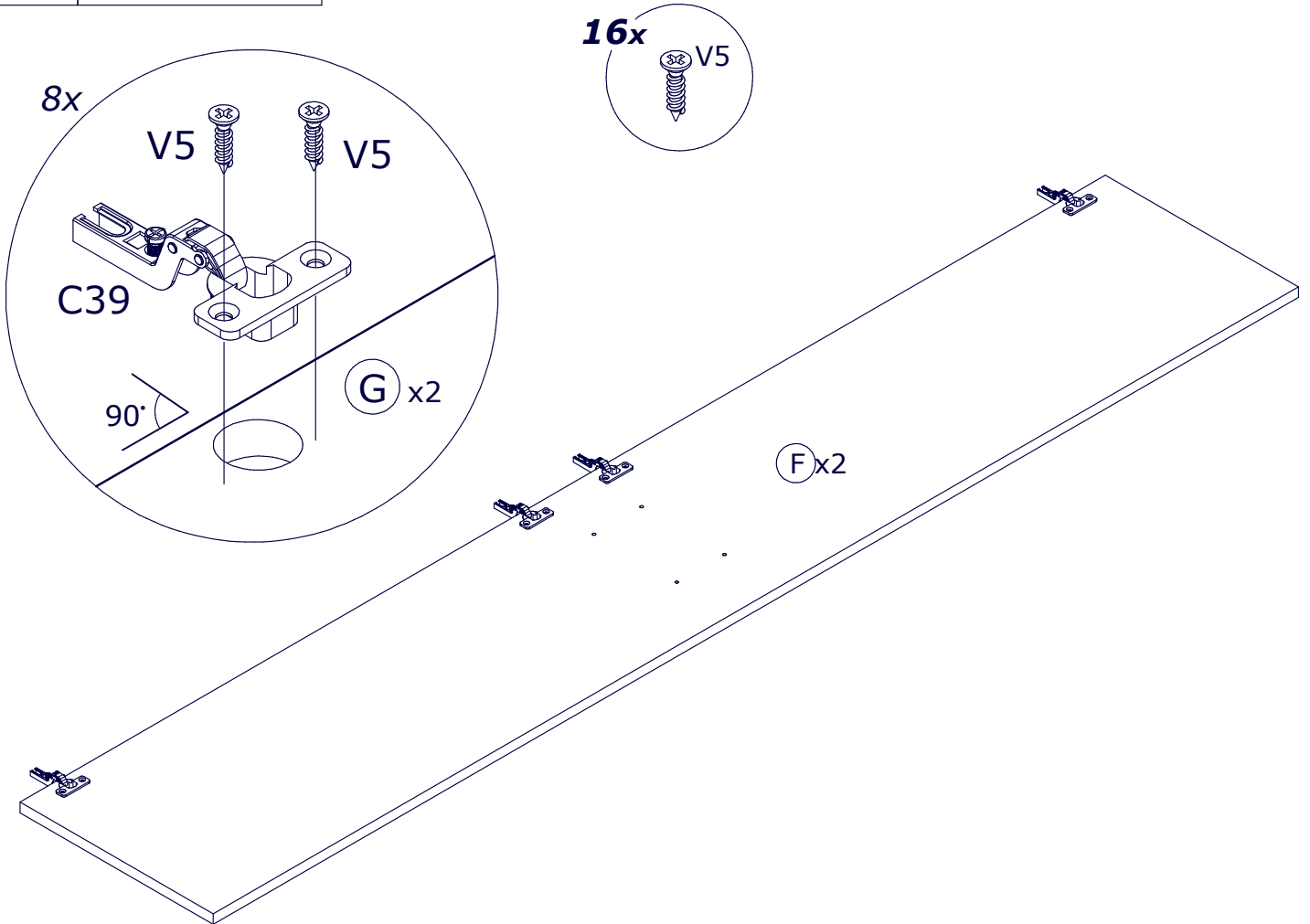
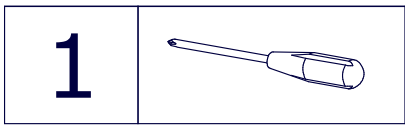


• **AN2051**
2096x373x18mm



A

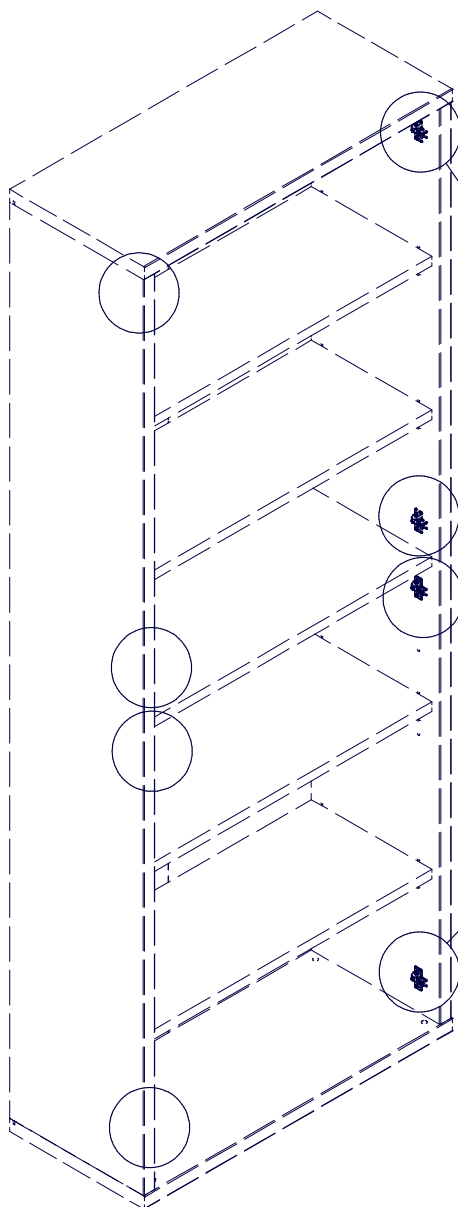
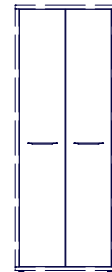
B



2A

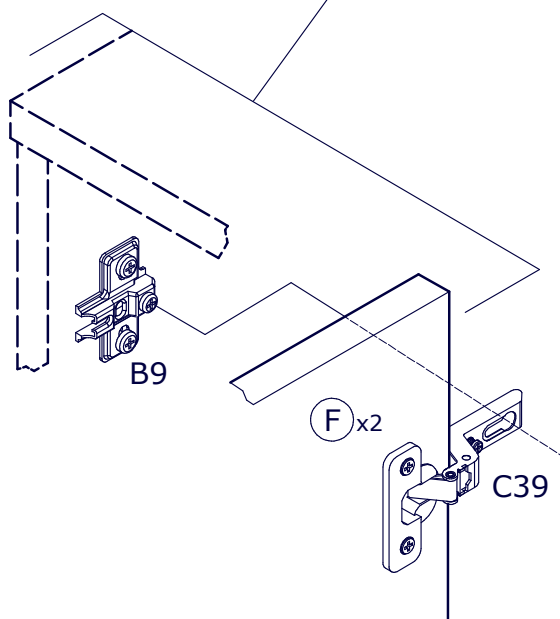
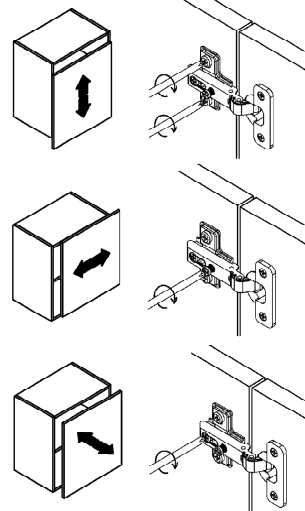
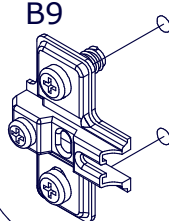


A



8x

B9



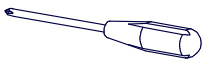
F

F

F x2

C39

3A

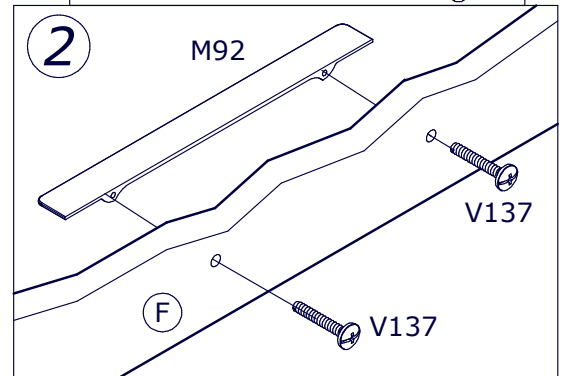
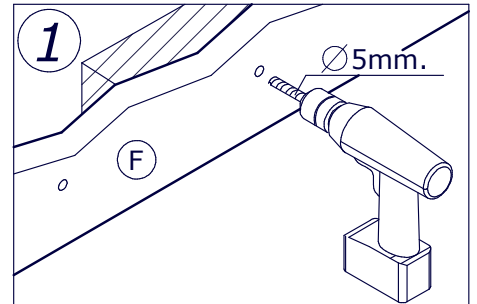
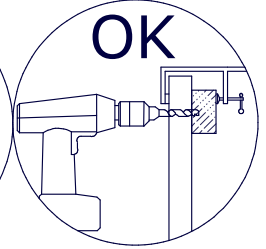
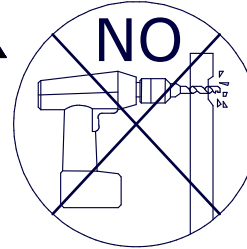
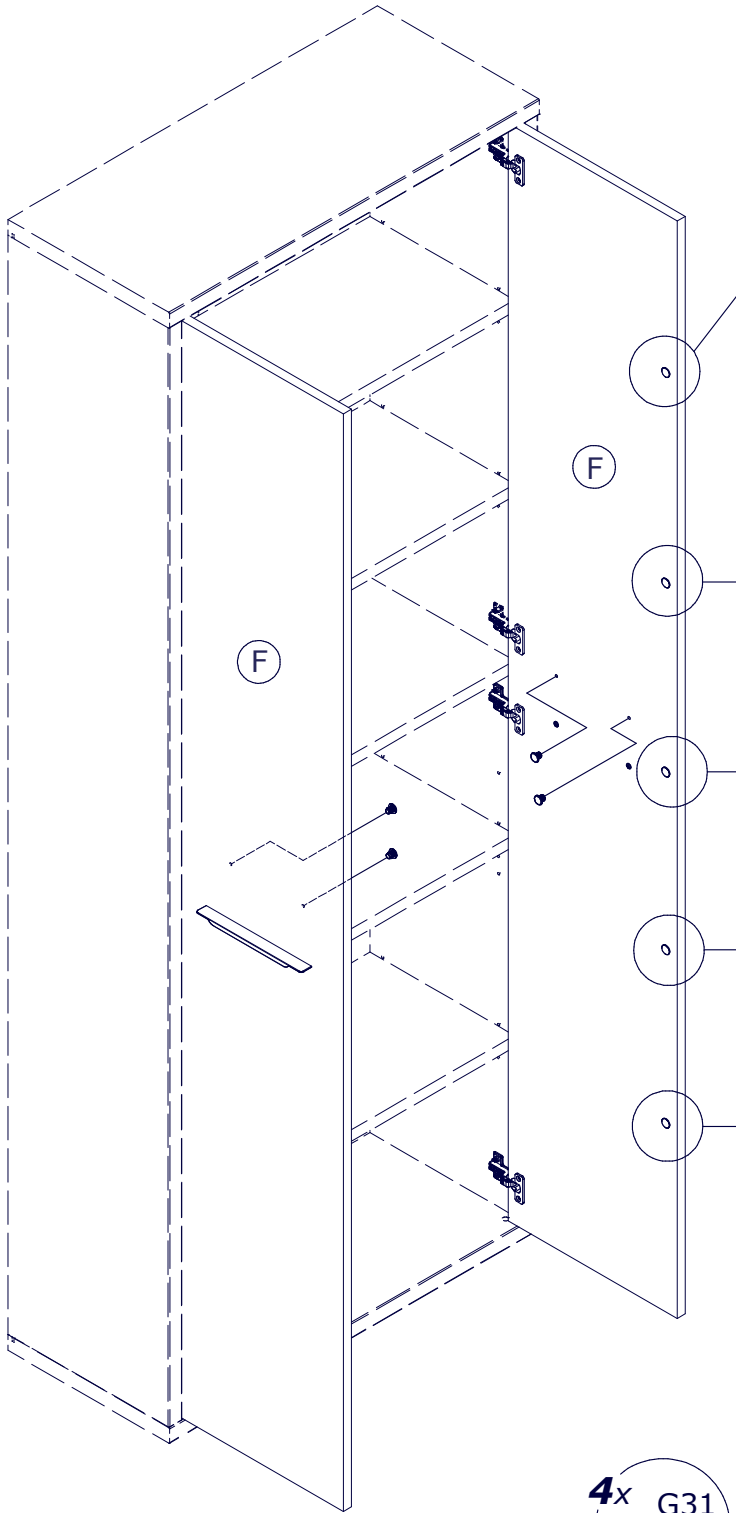


10x

H113

F

A



4x G31

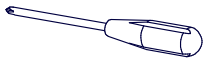


4x

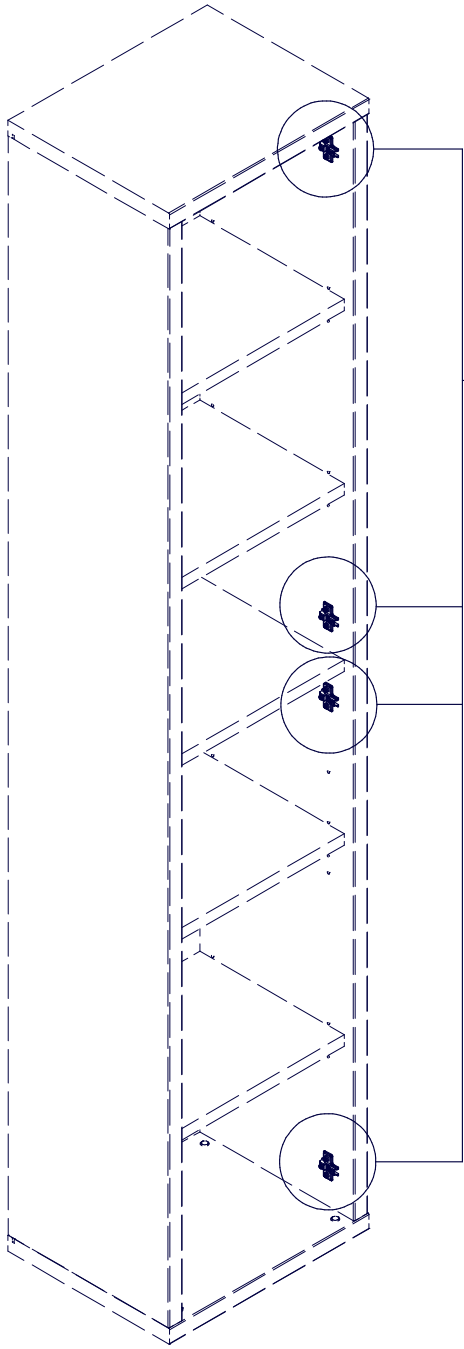
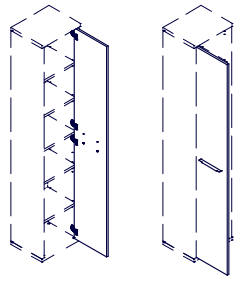
V137



2B

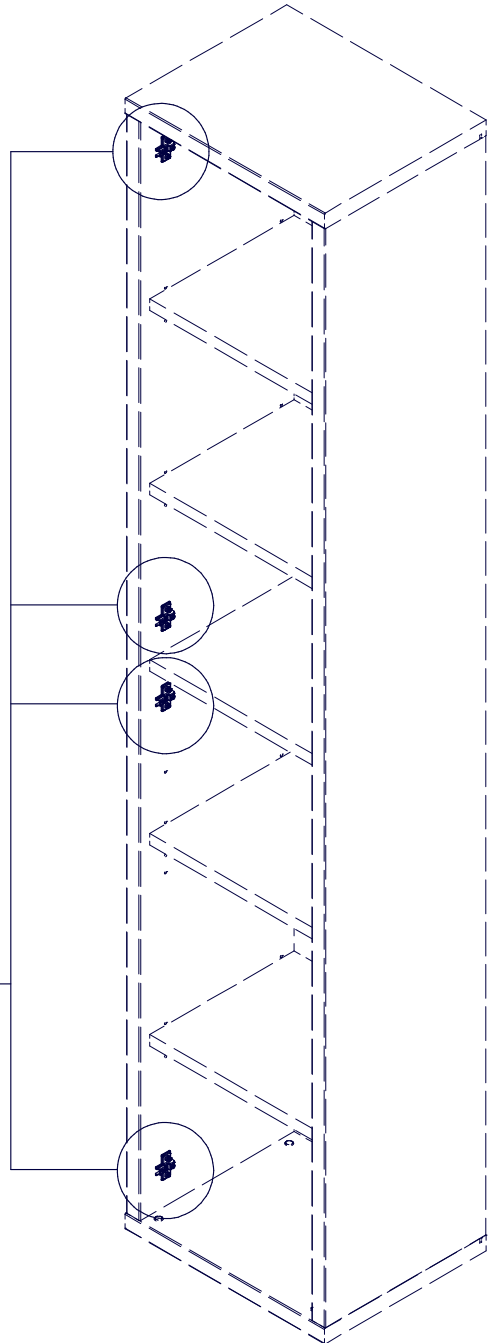
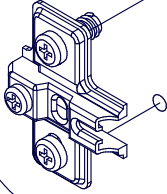


B



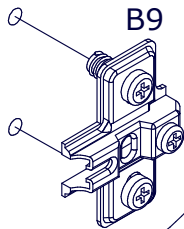
4x

B9

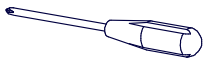


4x

B9

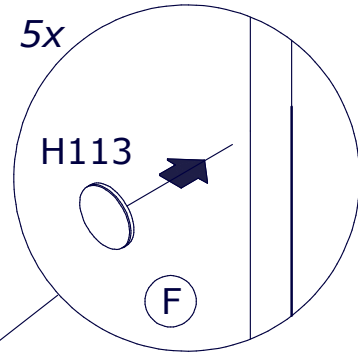


3B



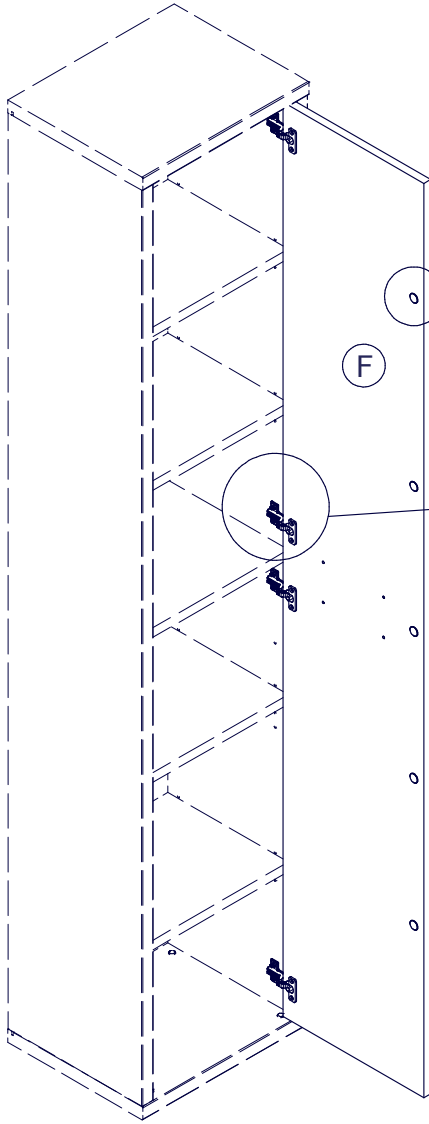
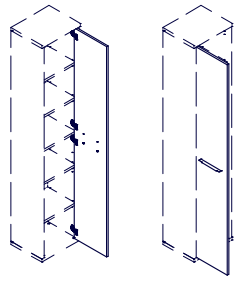
5x

H113

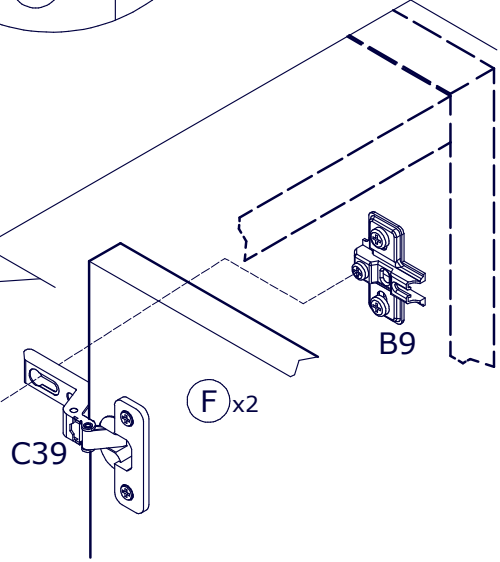
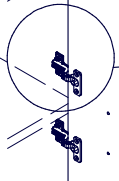


F

B



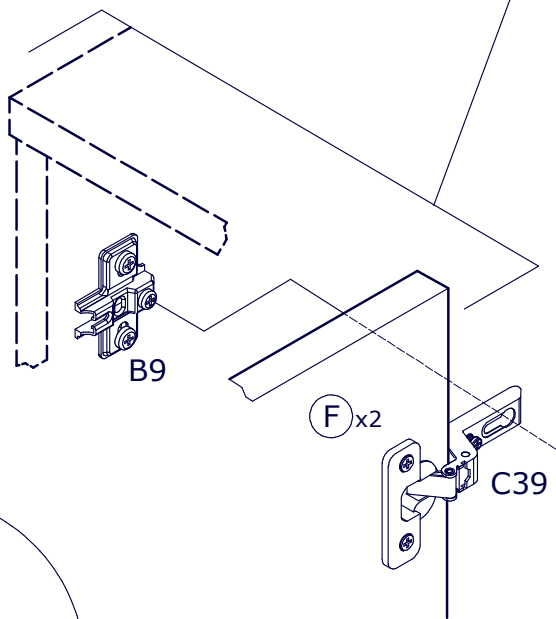
F



B9

F x2

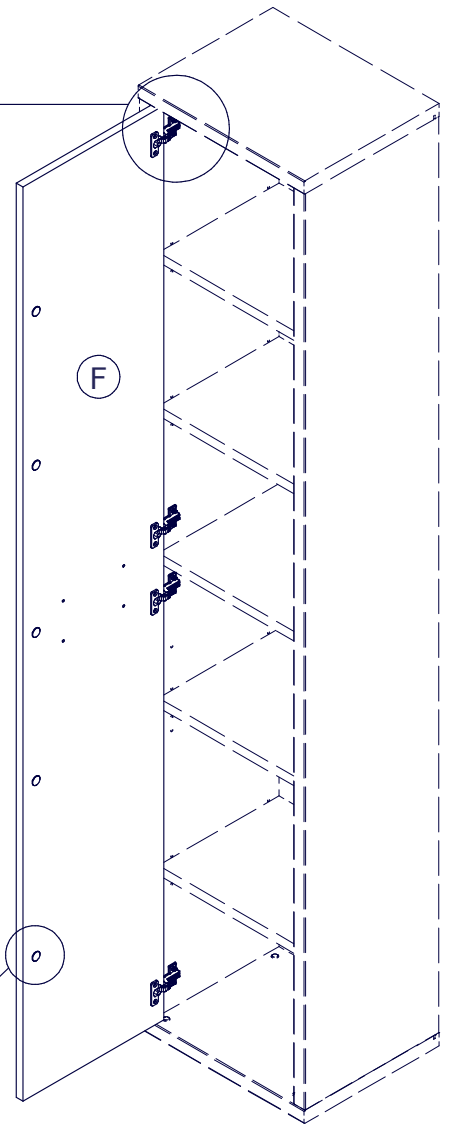
C39



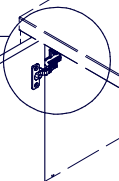
B9

F x2

C39

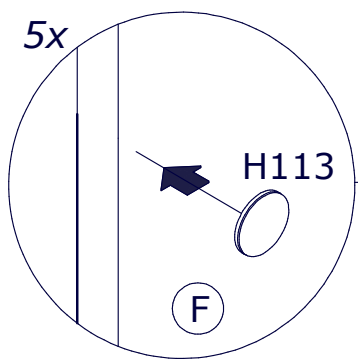


F



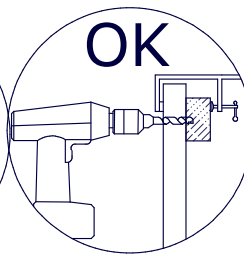
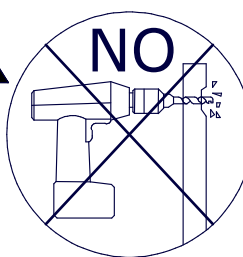
5x

H113

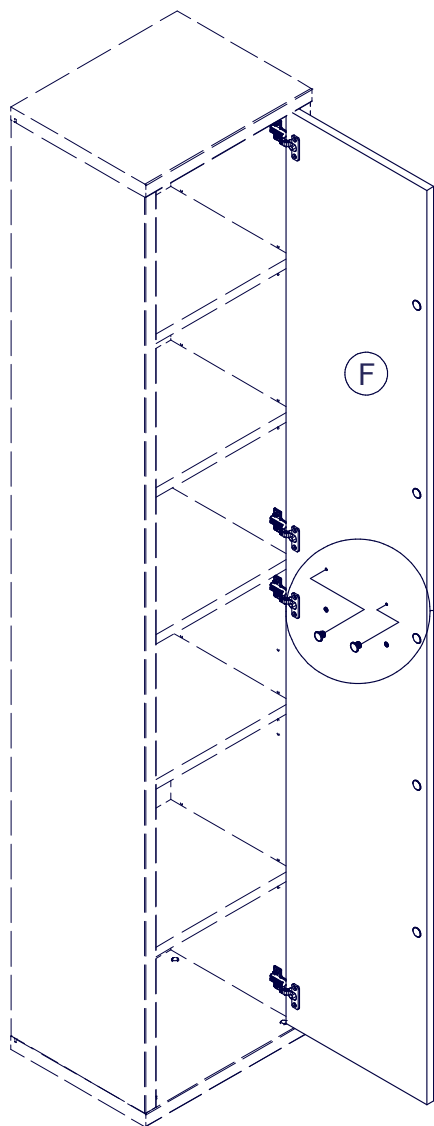
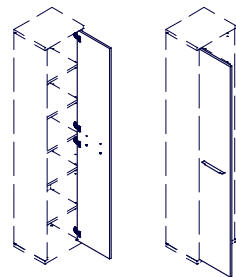


F

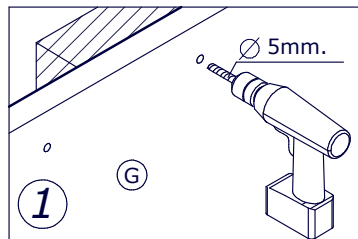
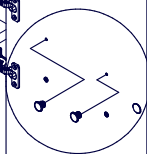
4B



B

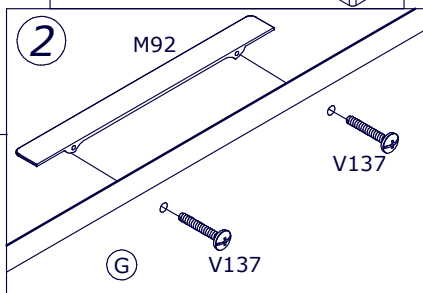


F



1

G



2

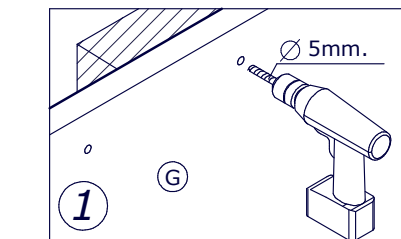
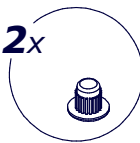
G

2x



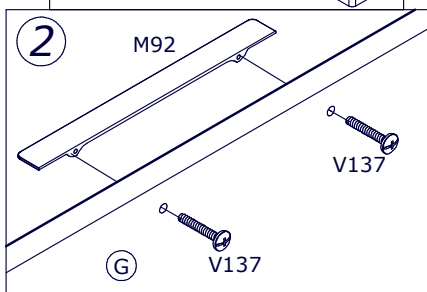
V137

2x



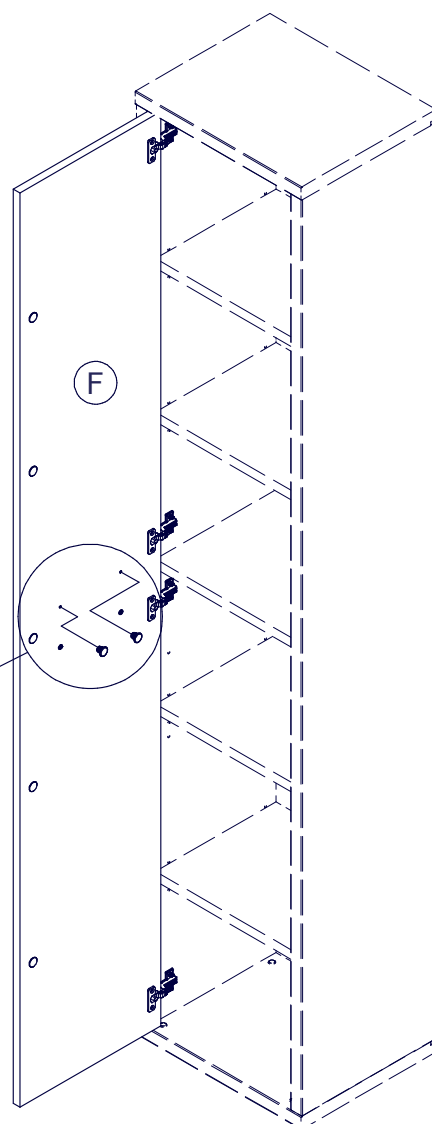
1

G



2

G



F

