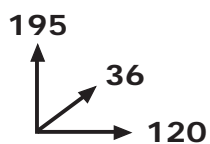
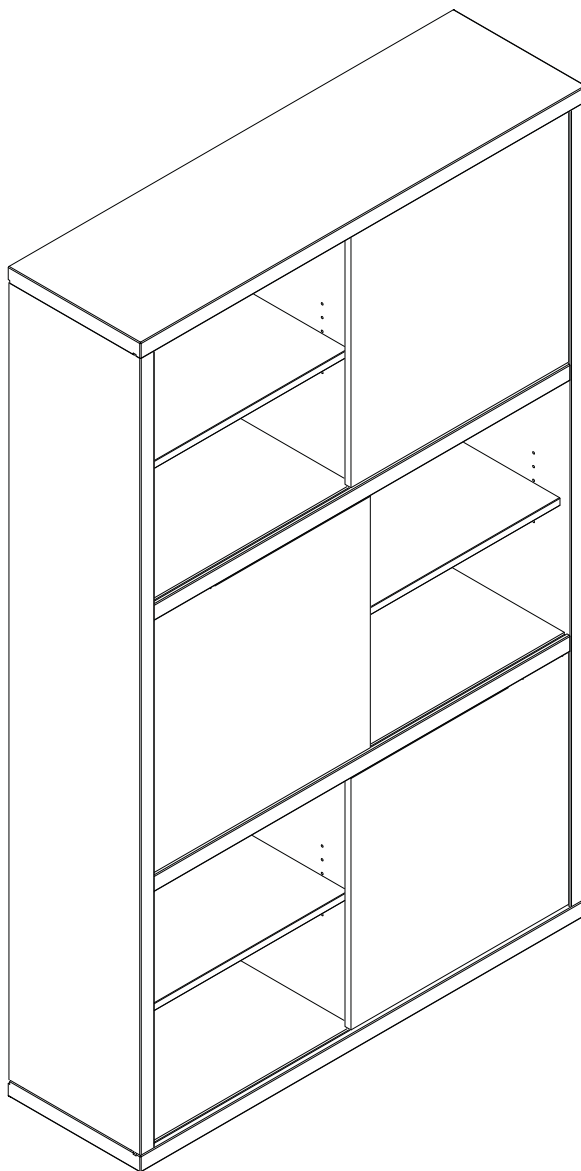


LB0747K56104



MIX
Wood from
responsible sources
FSC® C011298



QF4256

composad

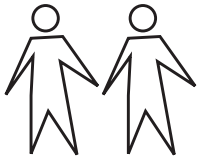


The Eco-Ethical Company

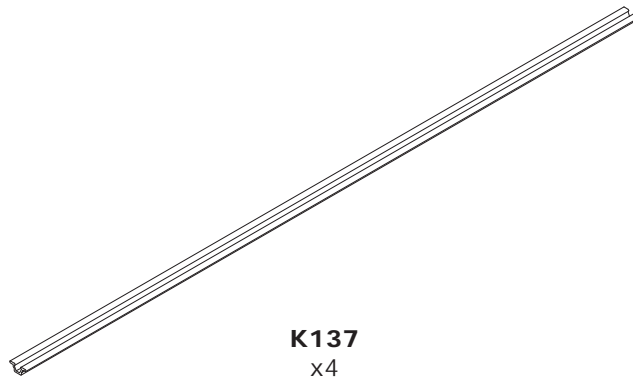
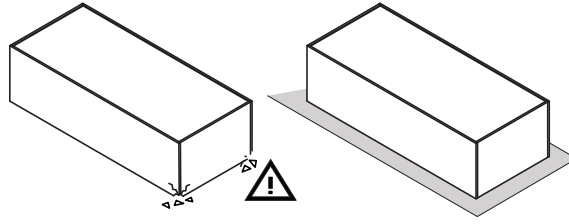
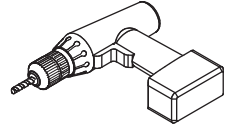
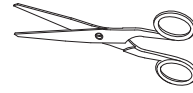
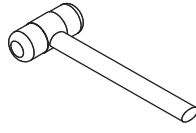
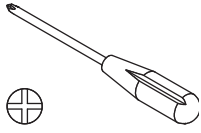


MADE IN ITALY

Produced by COMPOSAD srl, Via Lombardia 29, 46019 Viadana (MN) ITALY

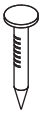


2h



K137
x4

BU3356



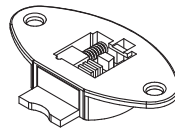
H15
x80



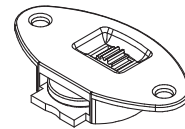
H14
x2



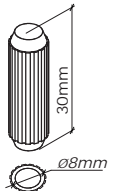
V5
x38



H249
x6



H237
x6



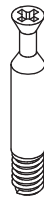
H1
x20



R40
x24



G156
x12



T28
x12



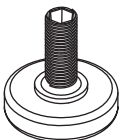
T97
x12



G158
x6



H113
x12



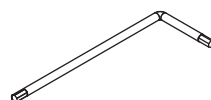
P25
x6



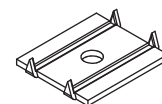
H118
x6



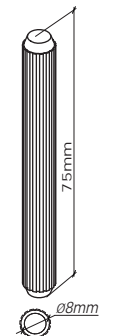
V38
x6



H138
x1

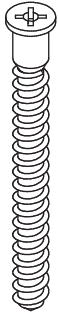


H99
x14

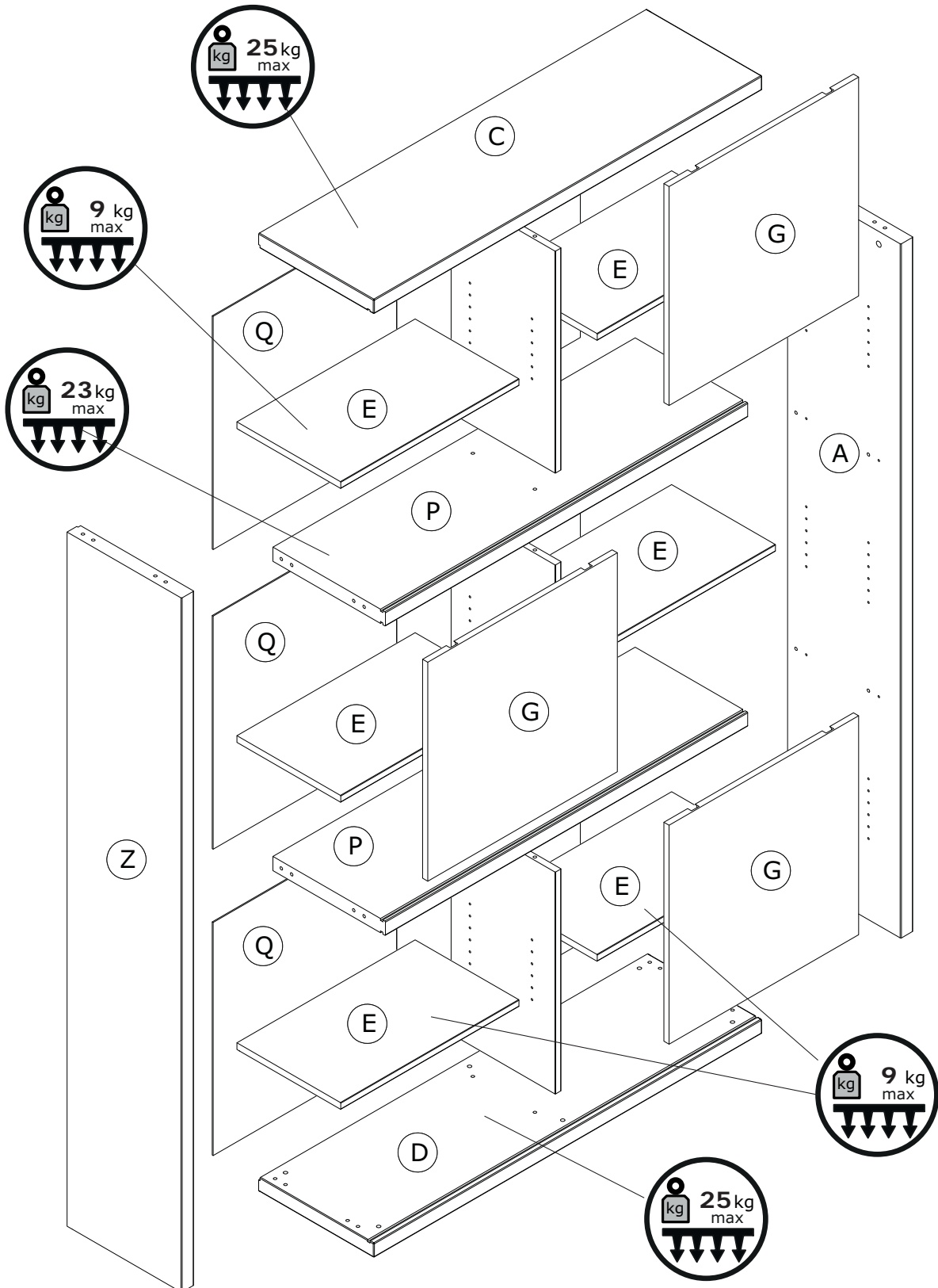
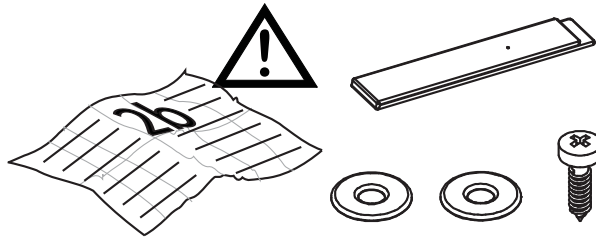


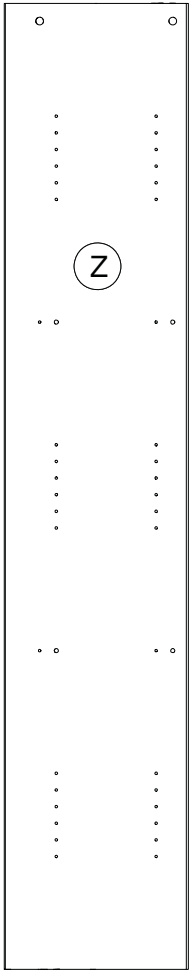
H270
x4

CF0146

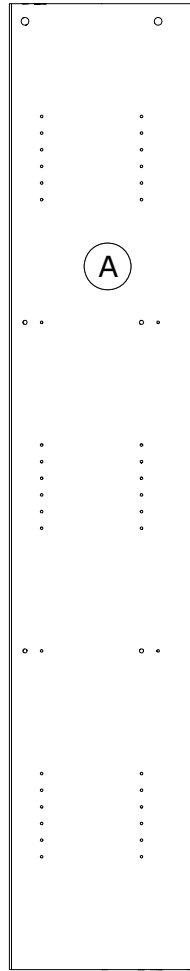


V115
x4

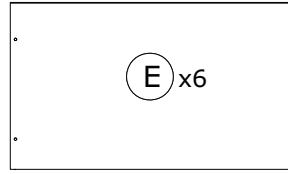




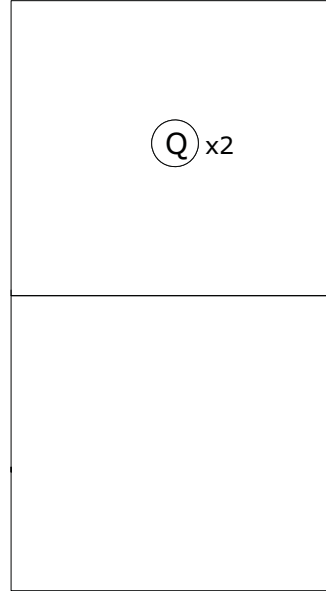
FI7463
1858x354x38mm



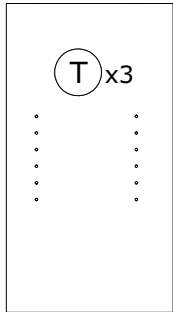
FI7462
1858x354x38mm



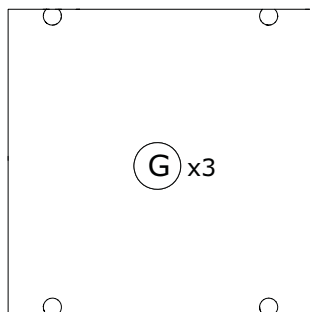
PI6508
551x321x18mm



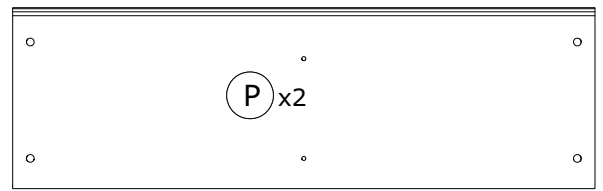
SH2805
624x1135x38mm



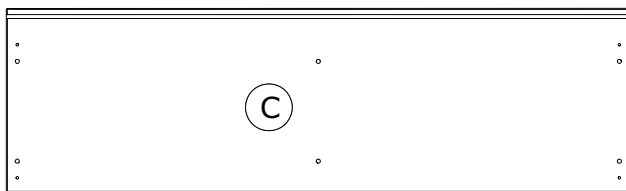
TR1856
594x322x18mm



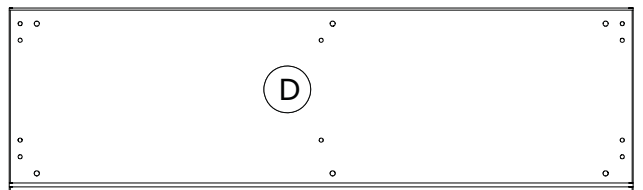
AN2342
586x586x16mm



PI6507
1120x348x38mm



CA3052
1200x356x38mm



BA1856
1200x356x38mm

1

20x

H1

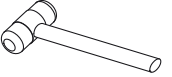
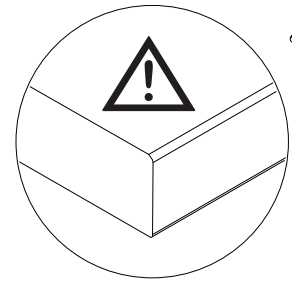
Z

A

P x2

T1

T2



2

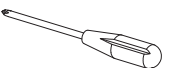
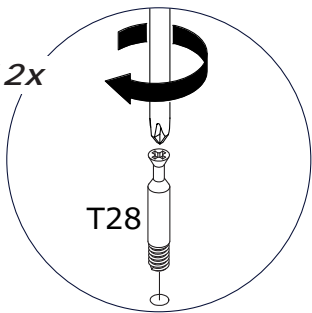
12x

T28

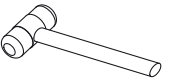
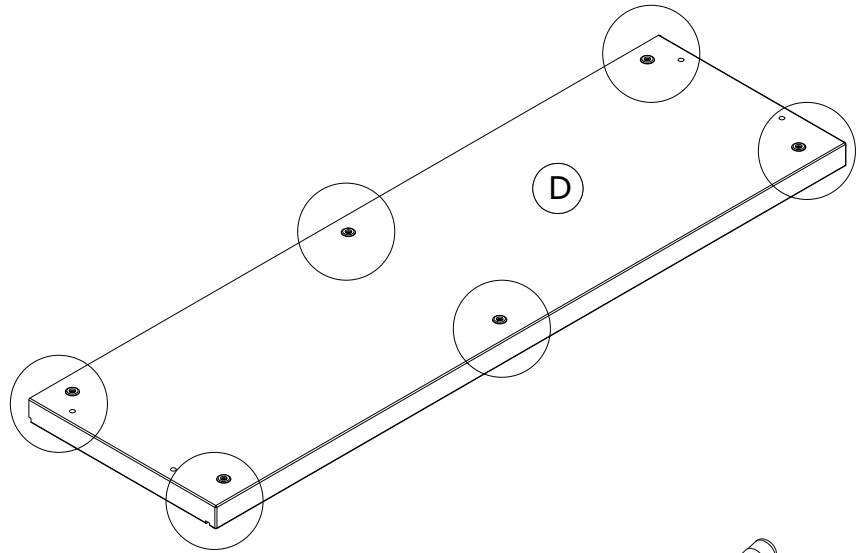
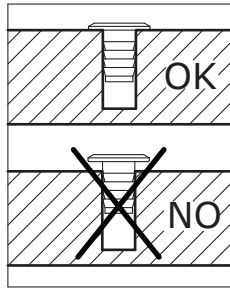
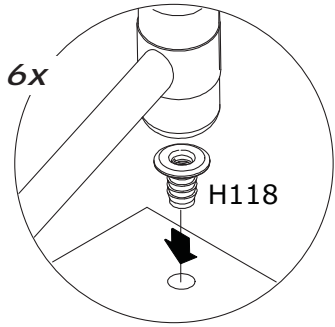
Z

A

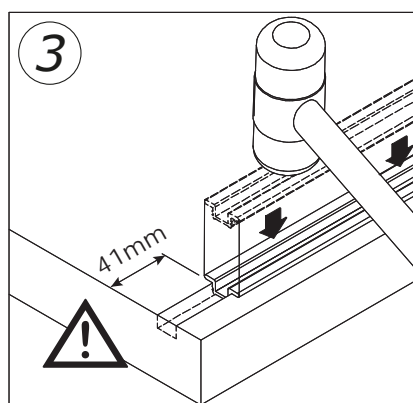
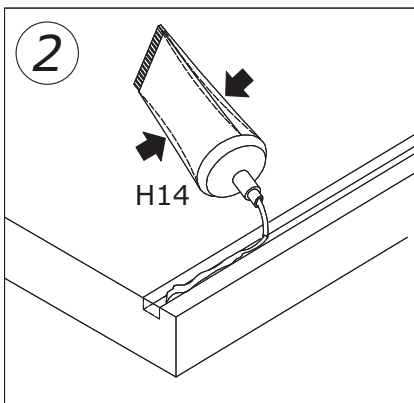
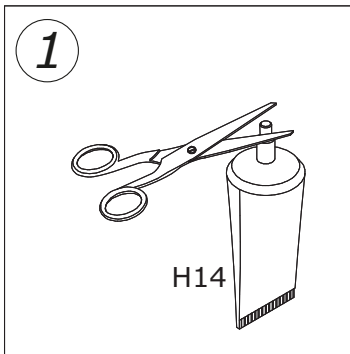
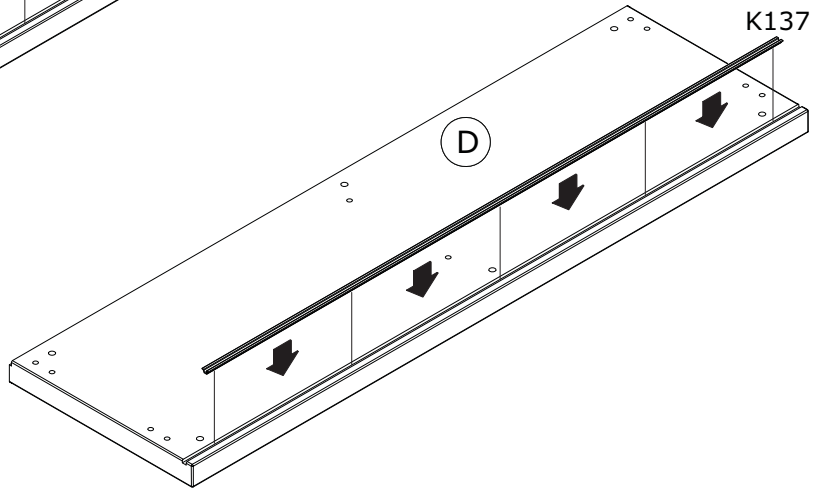
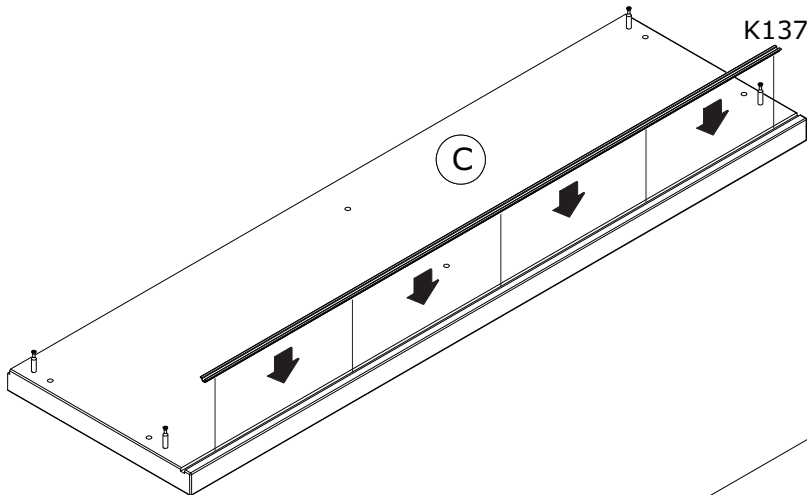
C



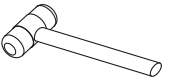
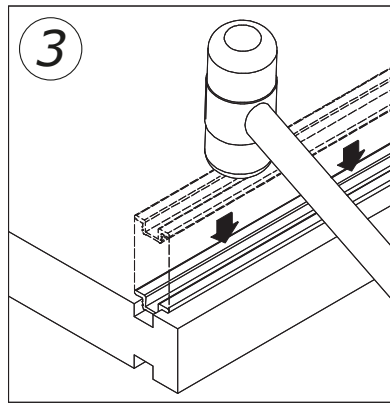
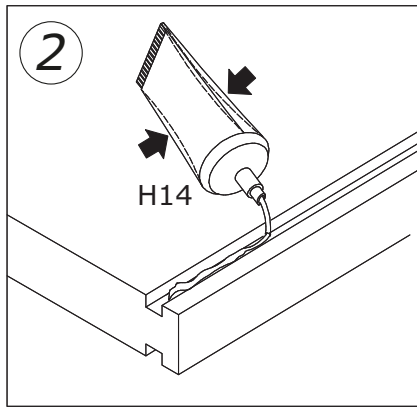
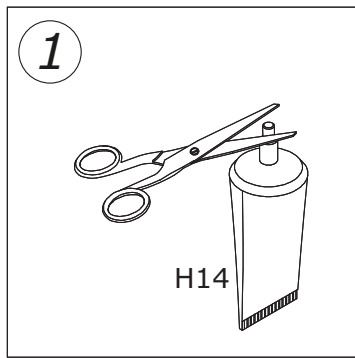
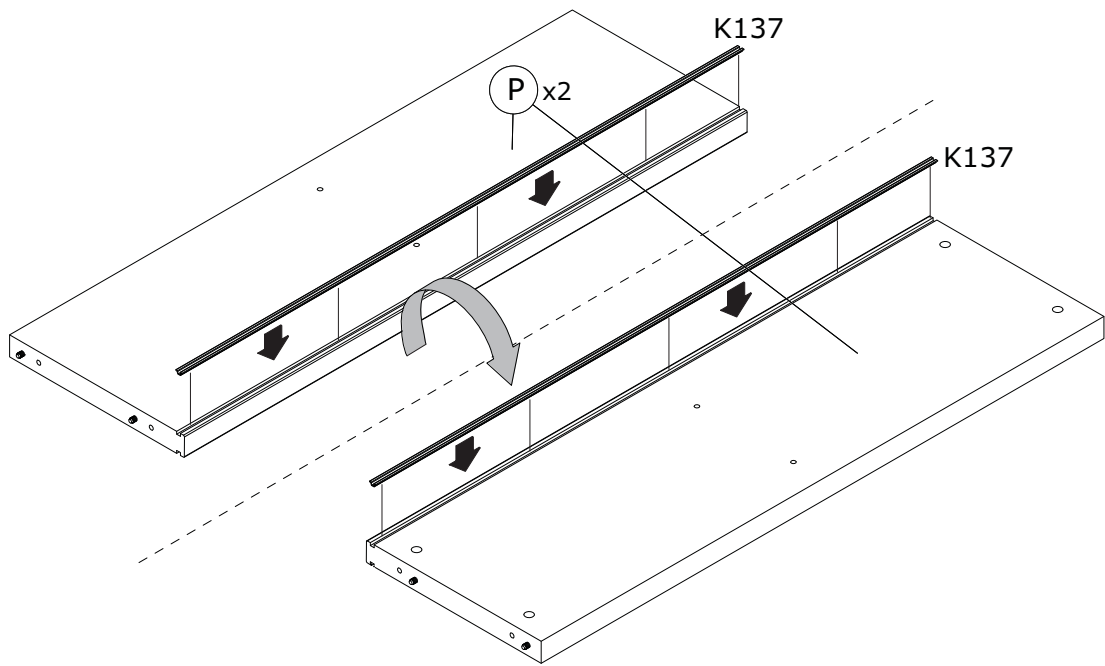
3



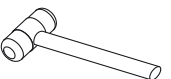
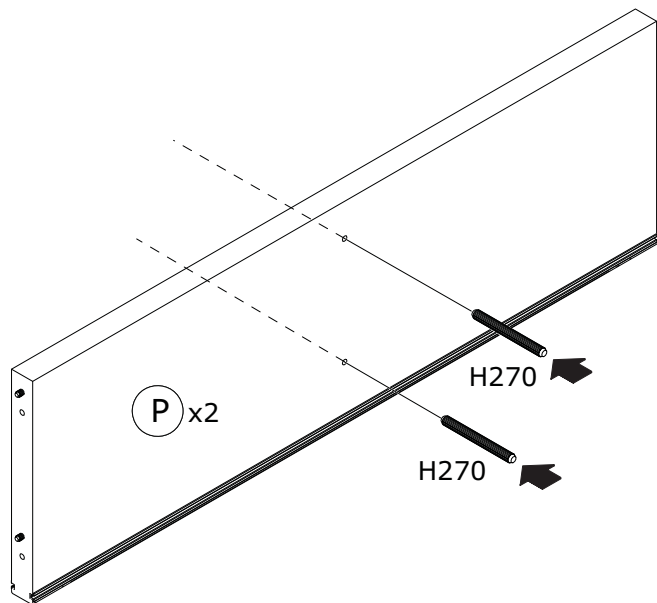
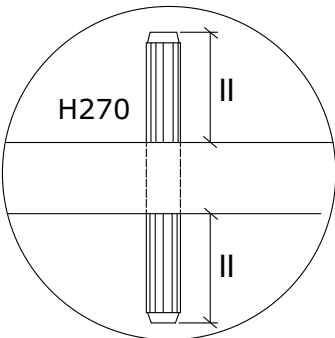
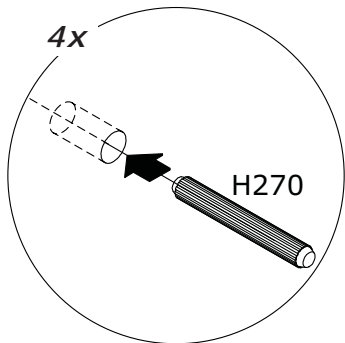
4



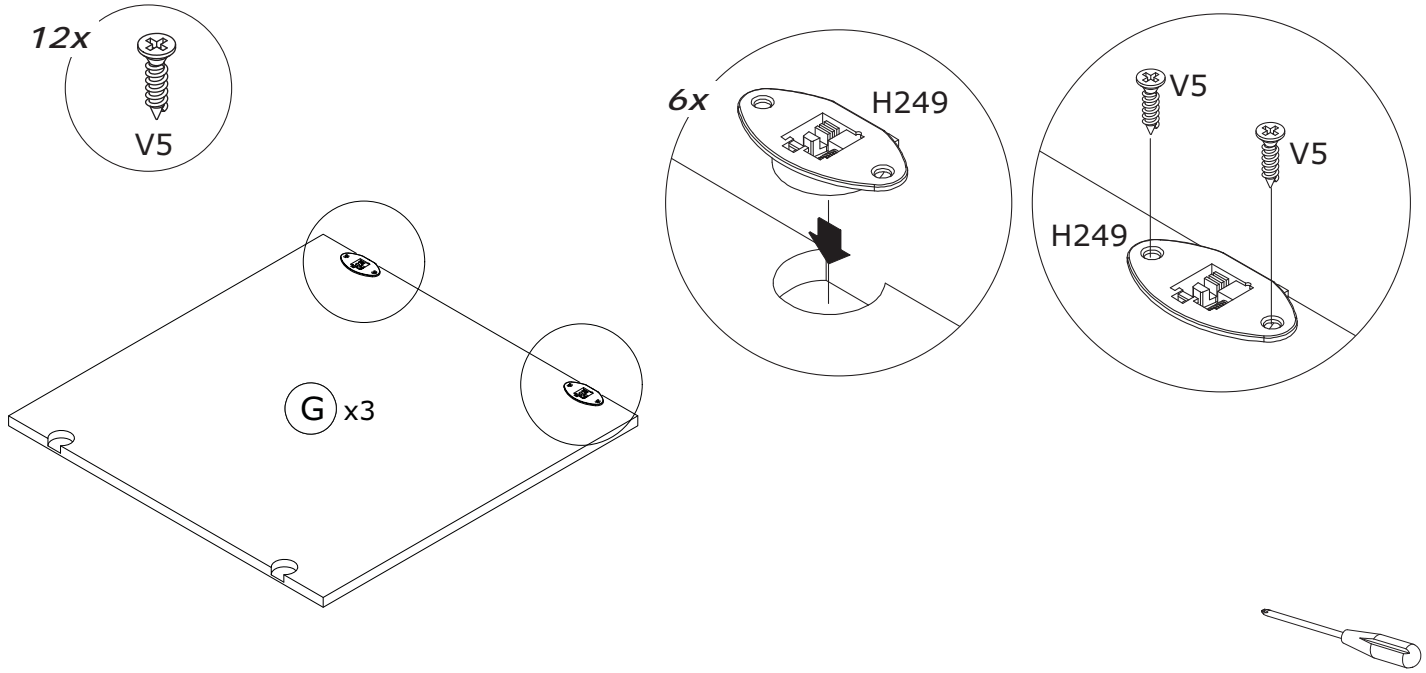
5



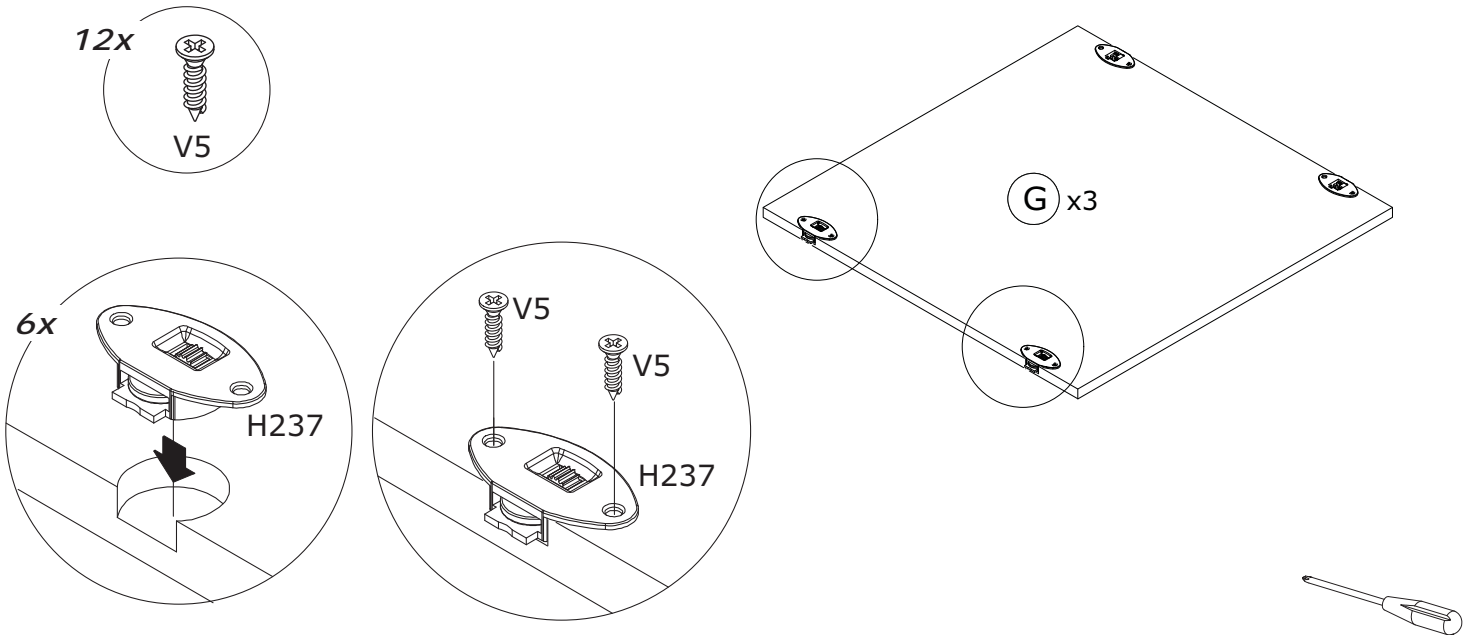
6



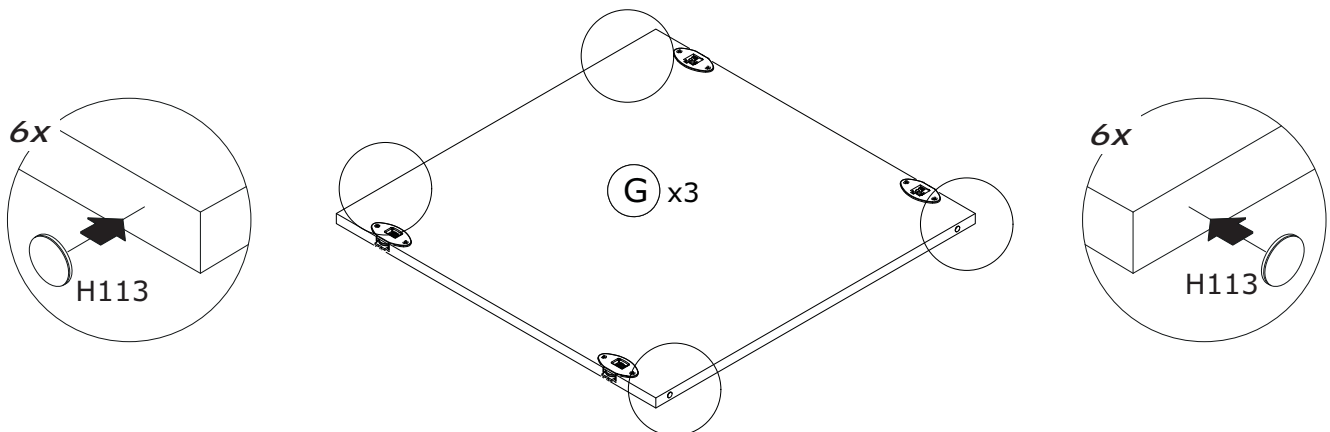
7



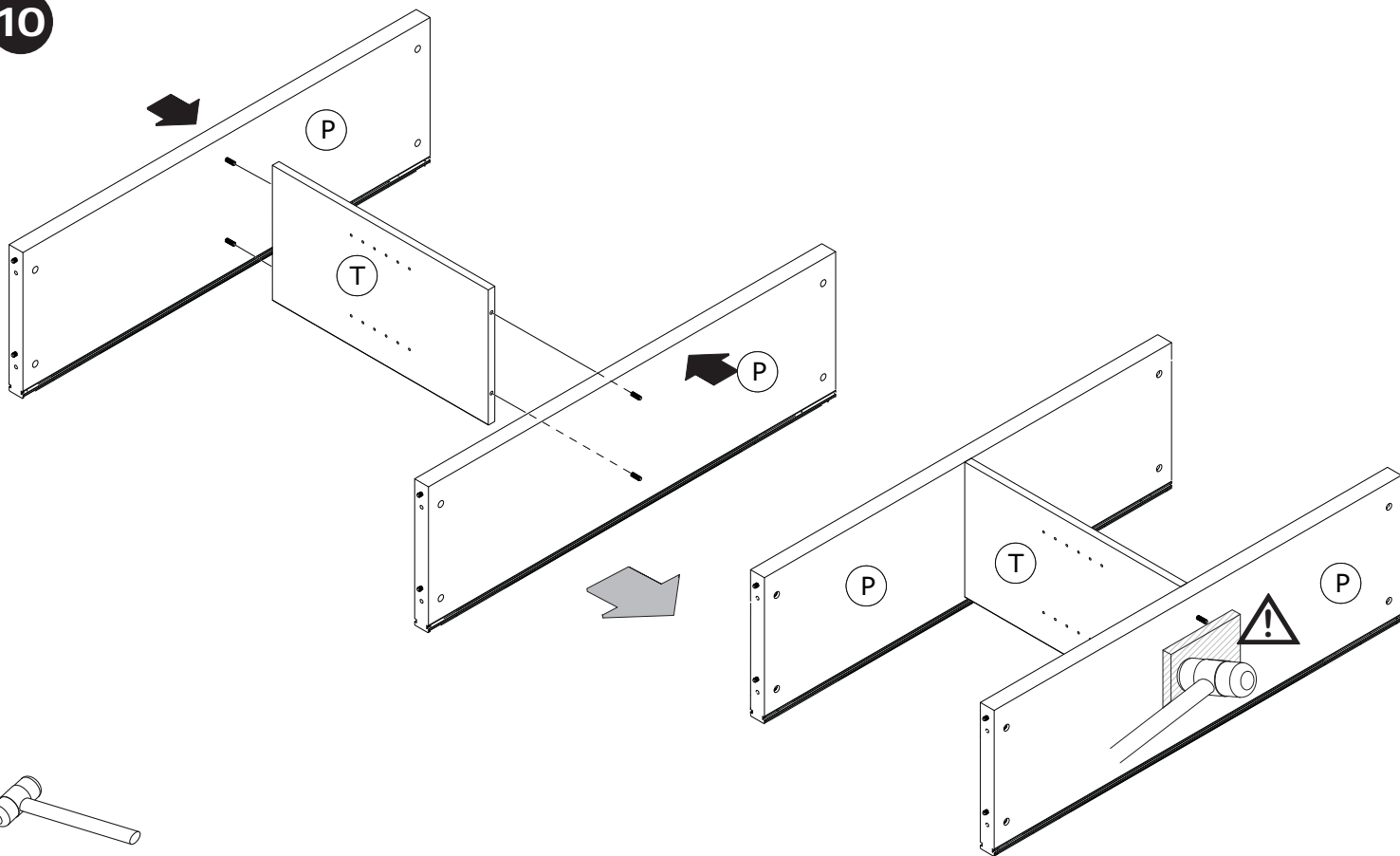
8



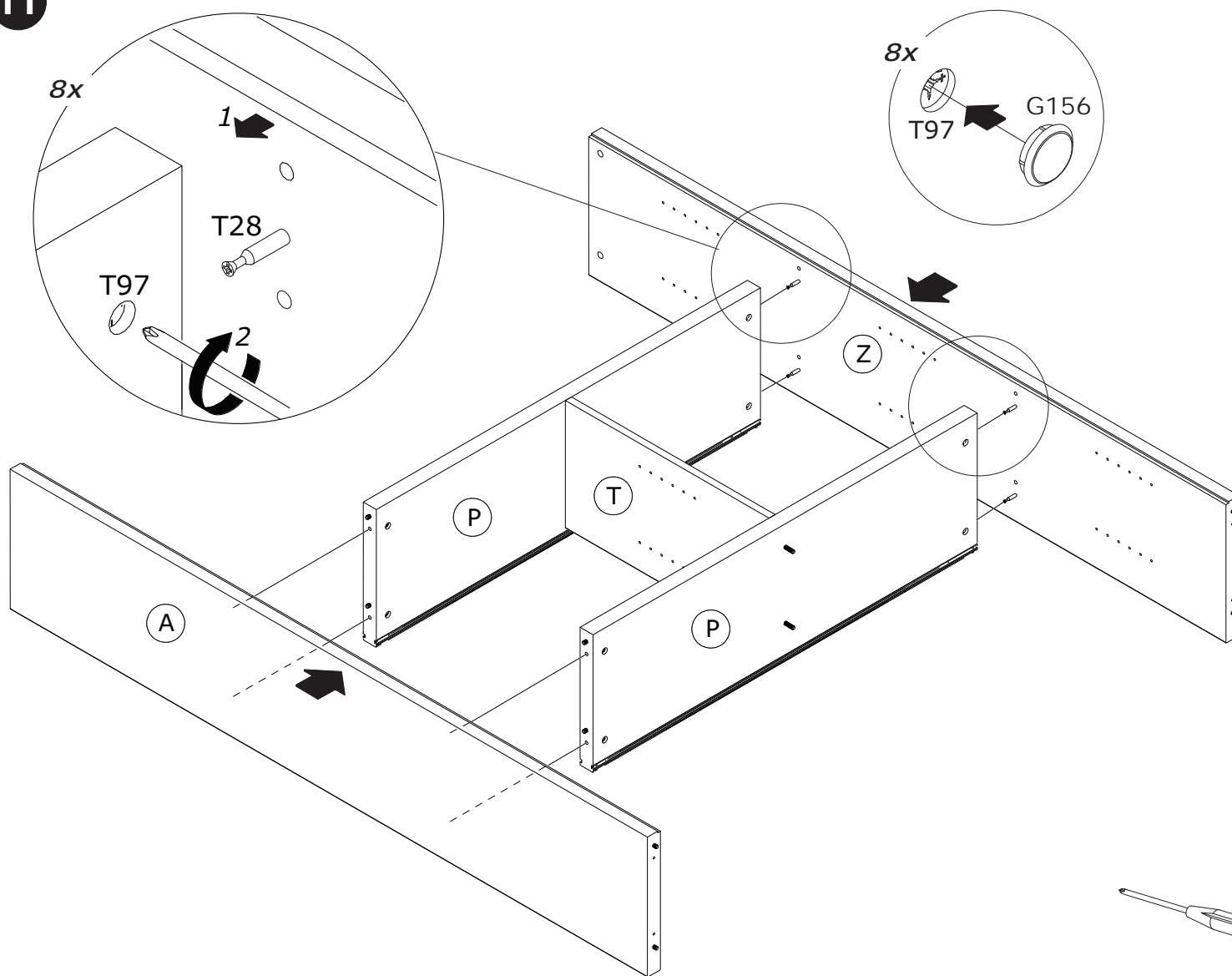
9



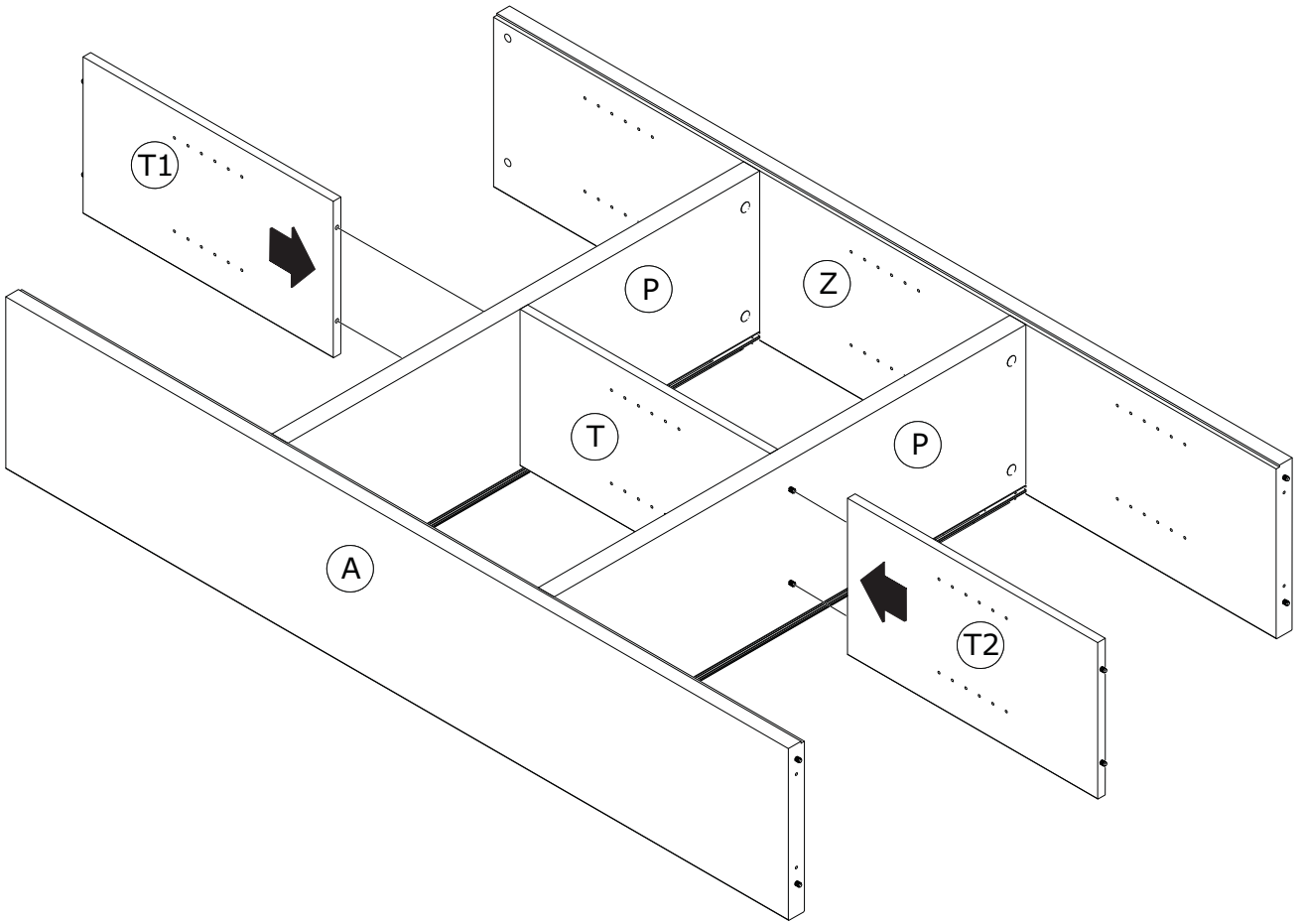
10



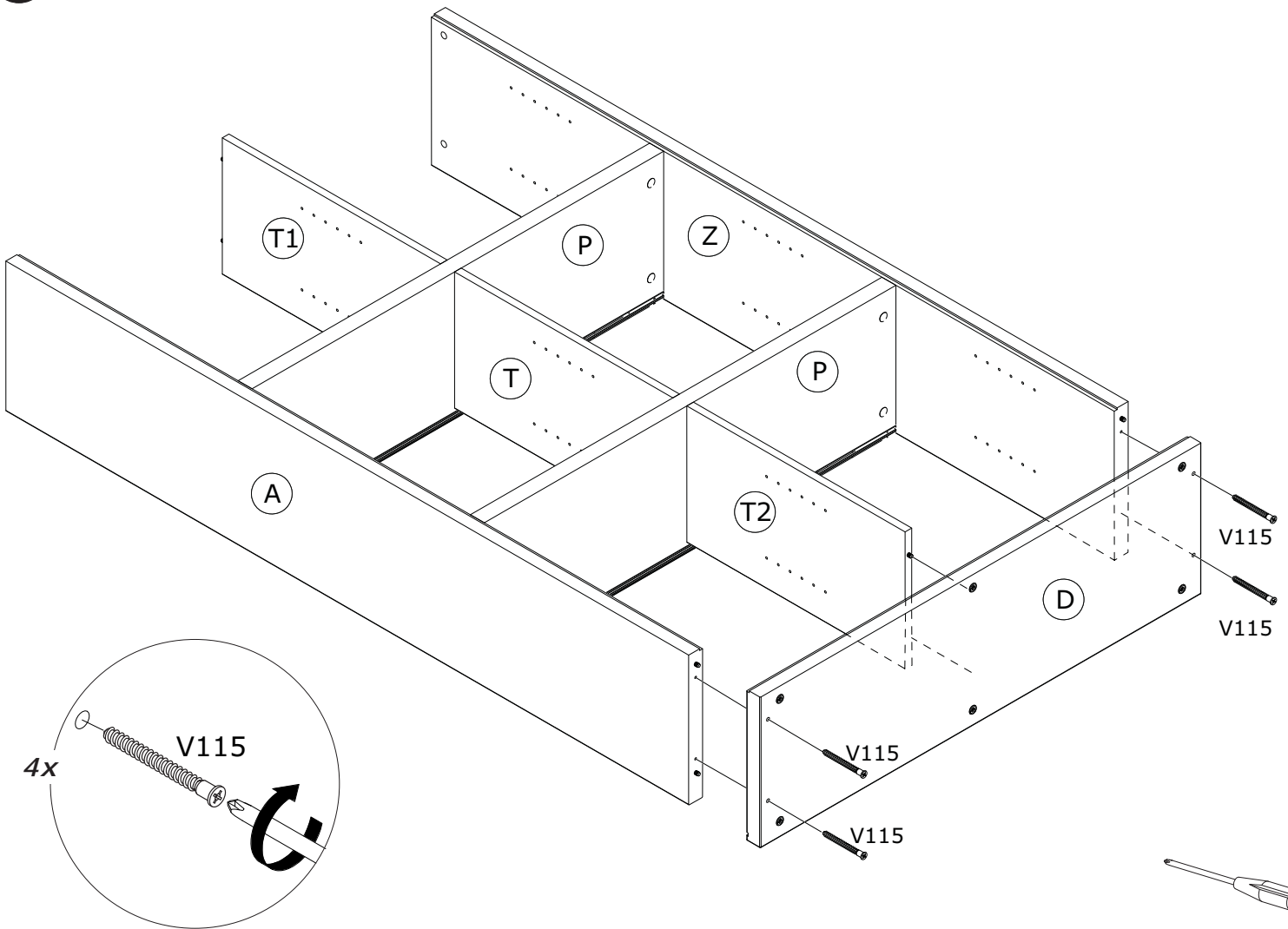
11

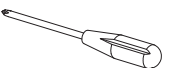
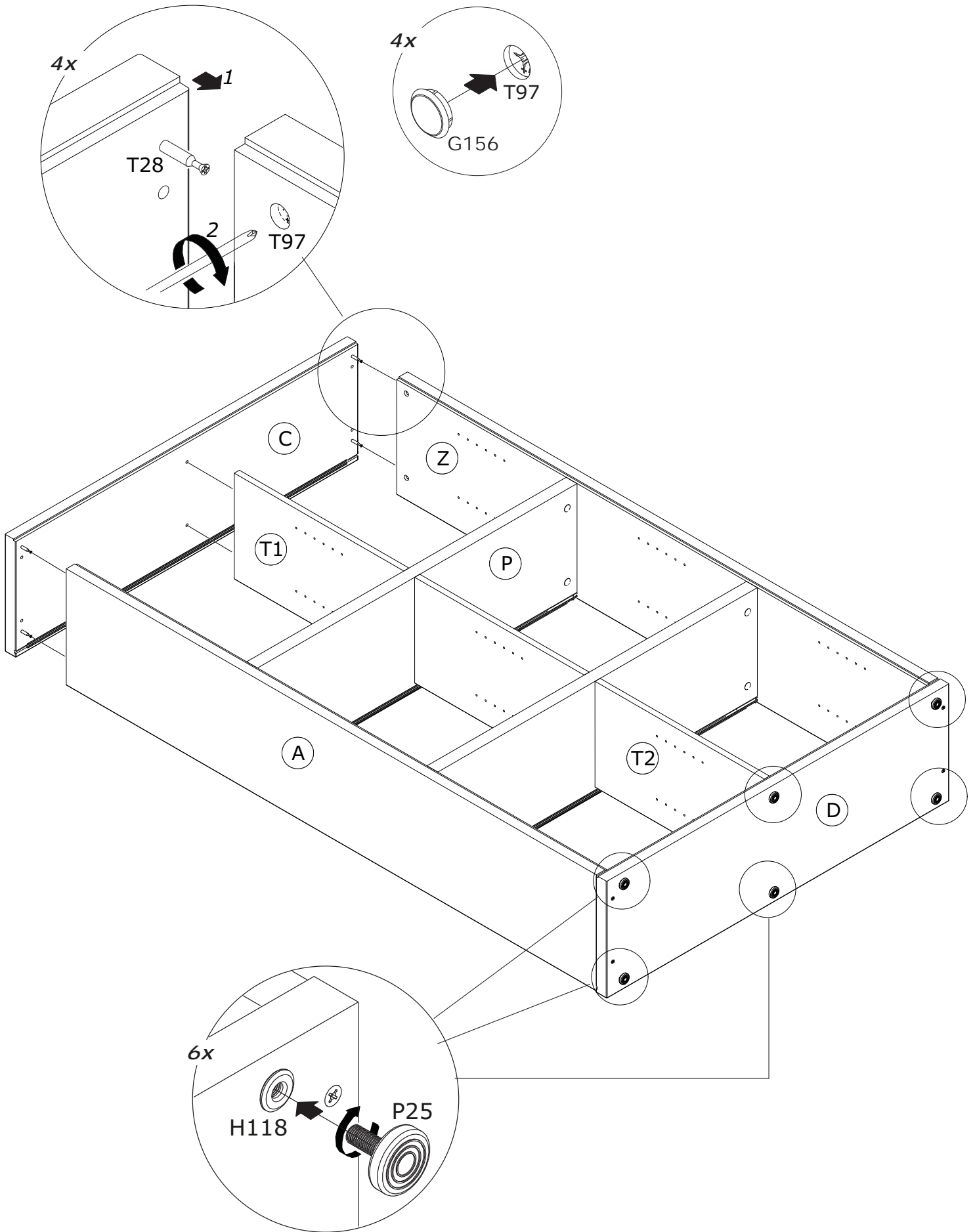


12



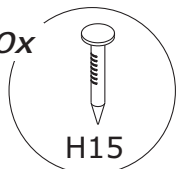
13



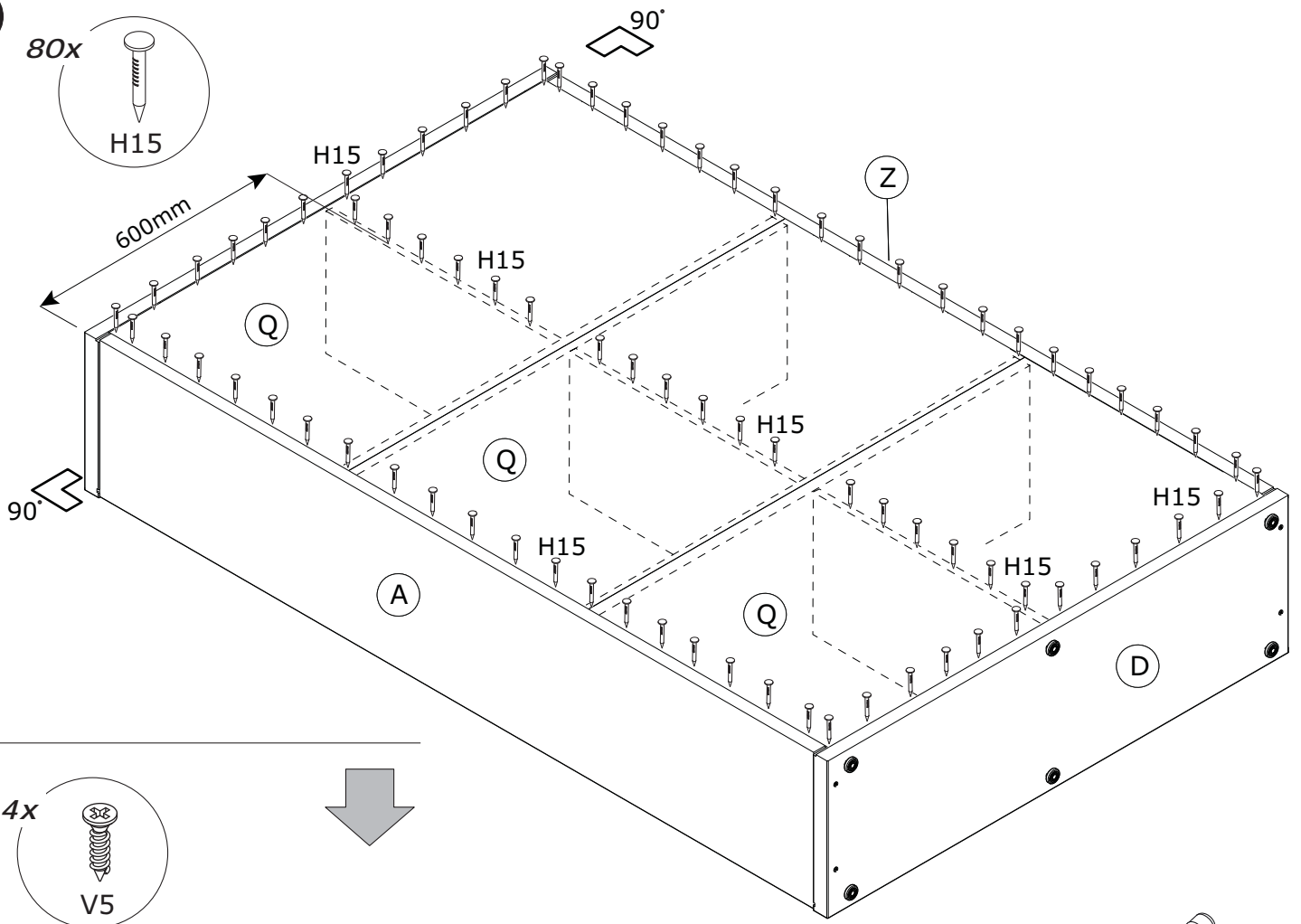


15

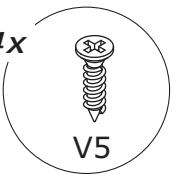
80x



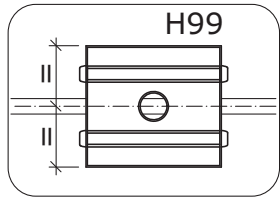
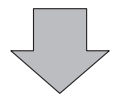
H15



14x



V5



H99

