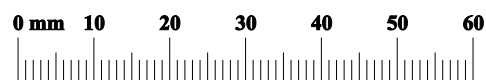


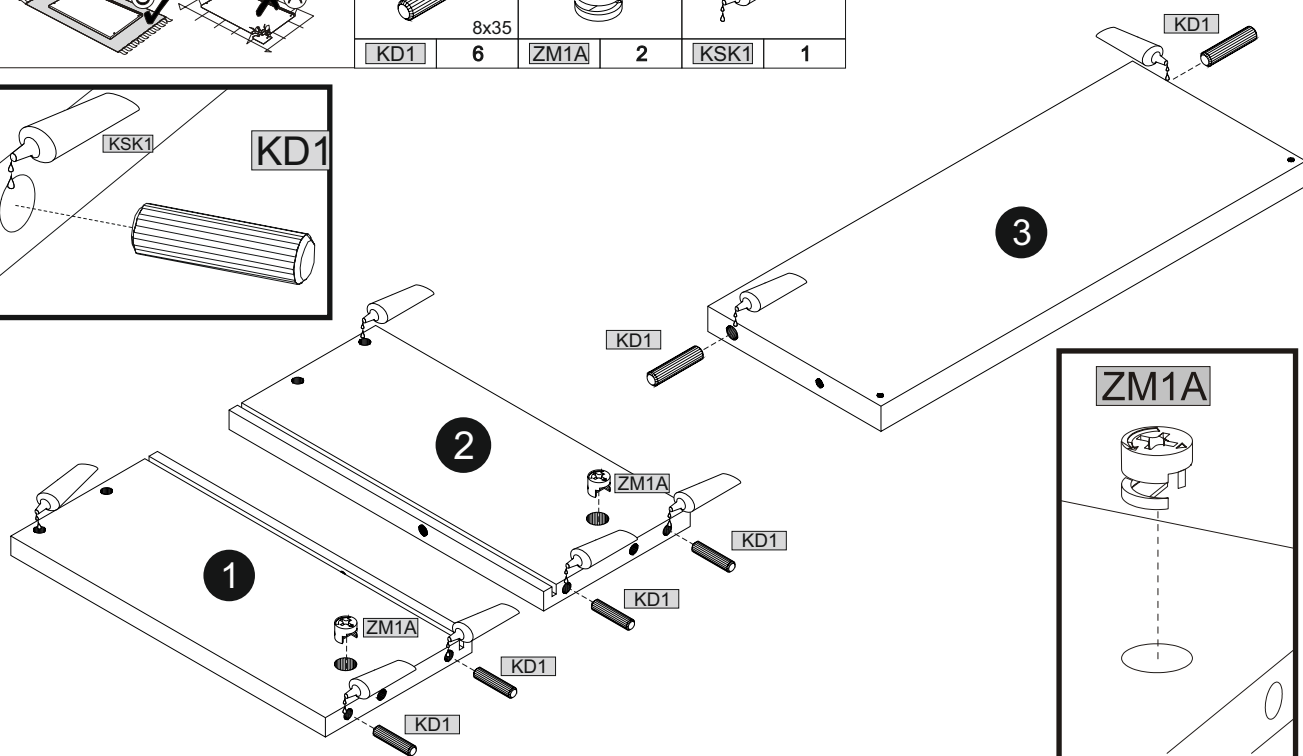
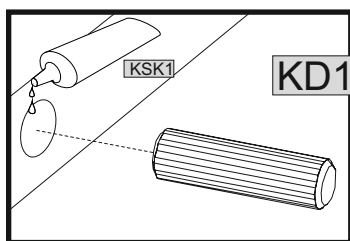
		1/2			
		š	v	h	
1		400	140	16	x4
2		400	140	16	x4
3		345	127	16	x4
5		405	359	3	x4
6		797	472	16	x1
7		797	454	16	x1
8		797	454	16	x1
9		797	472	16	x1
15		444	375	16	x2

		2/2			
		š	v	h	
4		395	199	16	x4
10		1200	500	22	x1
11		813	392	3	x1
12		813	398	3	x1
13		813	392	3	x1
14		1200	472	16	x1
16		805	395	16	x1
17		805	395	16	x1

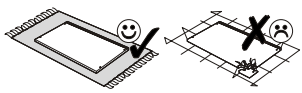
KK1 1	KD1 40	KSK1 1	K1 16	ZM1B 16	ZM1A 16
ZM1 16	Z1P 4	ZP 4	W4 8	SS3 6	W6 6
S1 14	PL1 12	W1 28	PP 8	PQ5 4	PQ6 4
W11 20	U75 6	WU 12	KS1 2	KRW1 2	



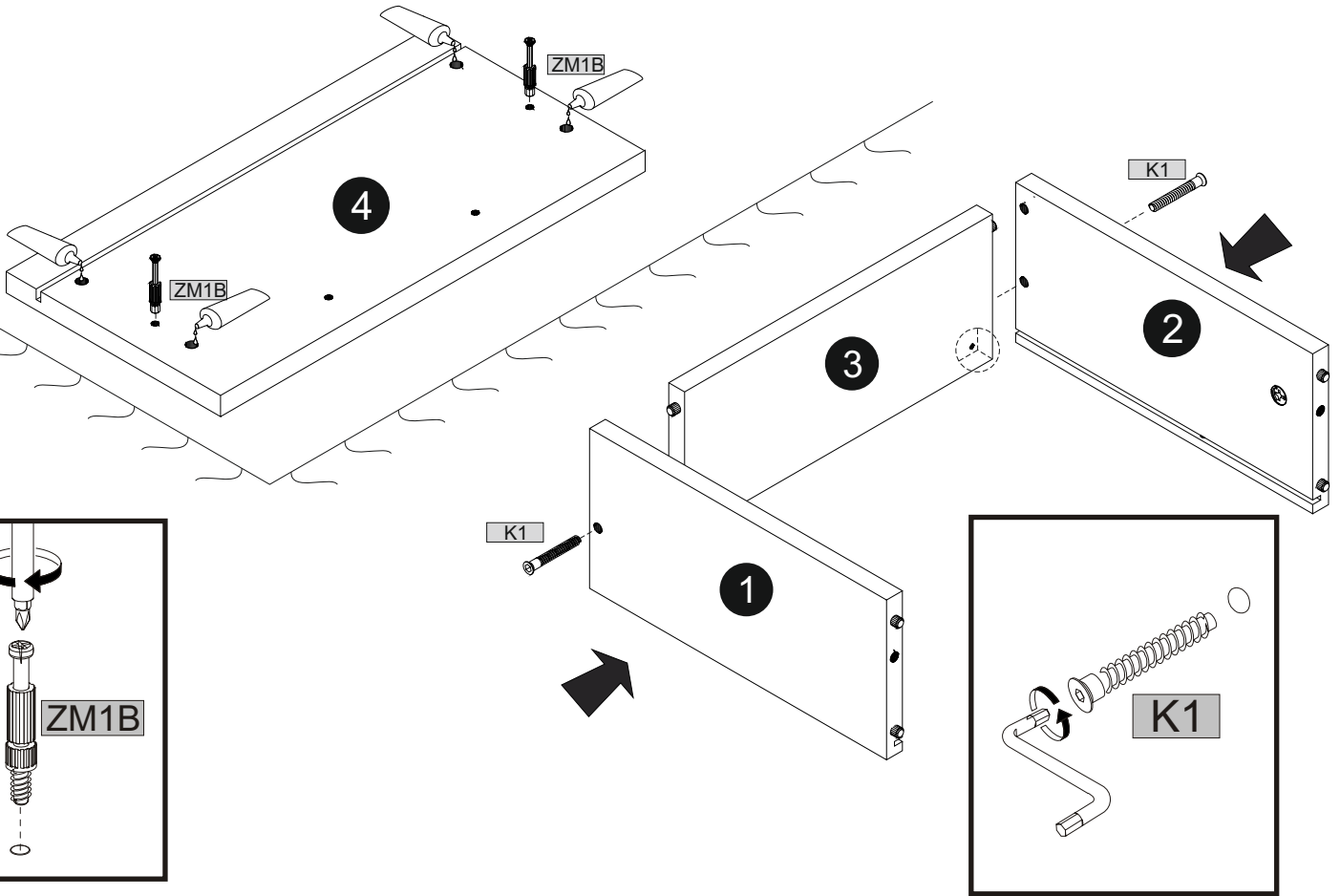
01				
X4		KD1 6	ZM1A 2	KSK1 1



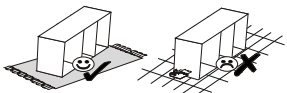
02
X4



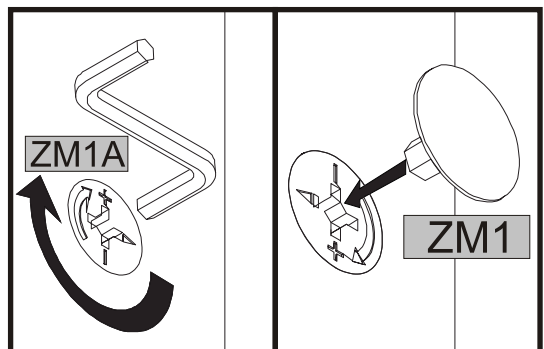
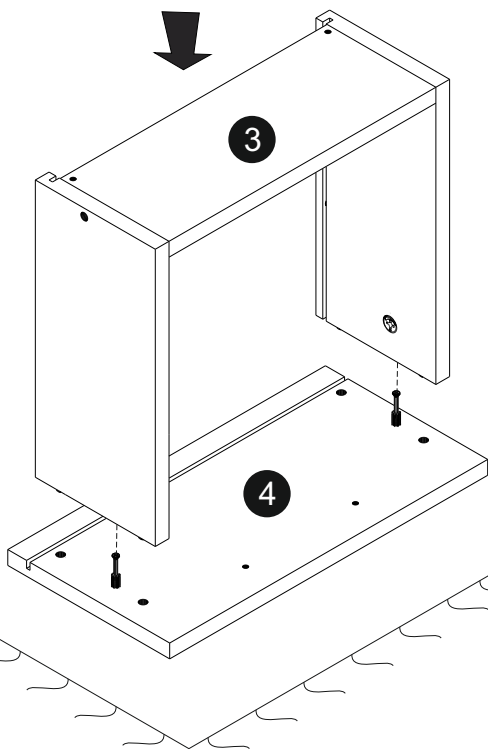
ZM1B	KK1	K1	KSK1
2	1	2	1



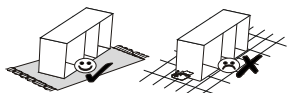
03
X4



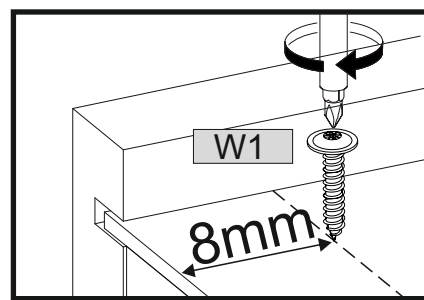
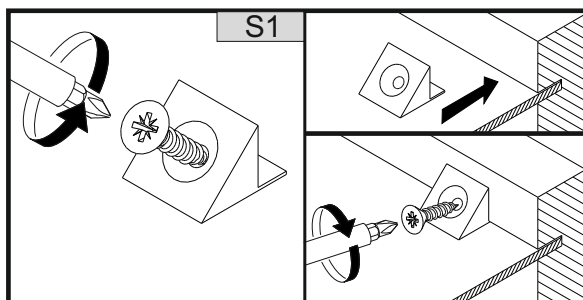
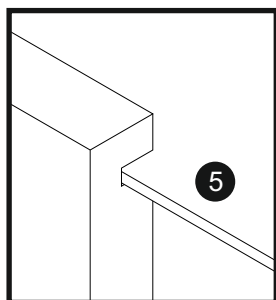
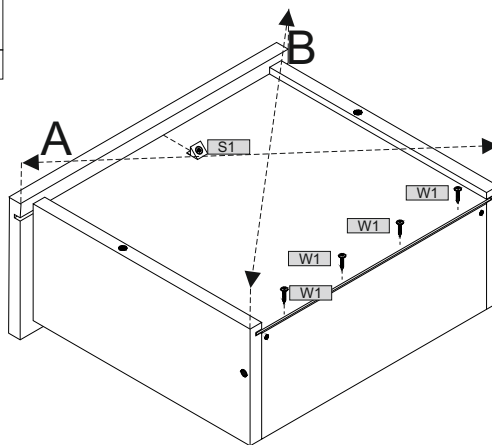
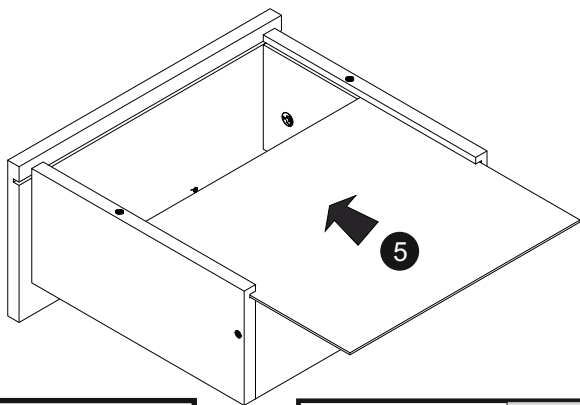
KK1	ZM1
1	2



04
X4



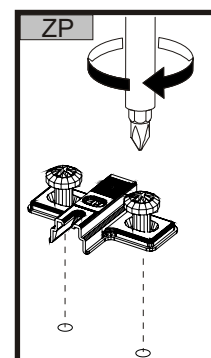
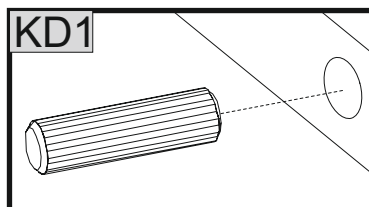
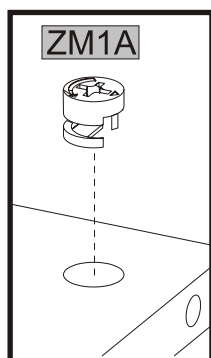
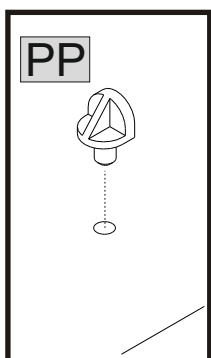
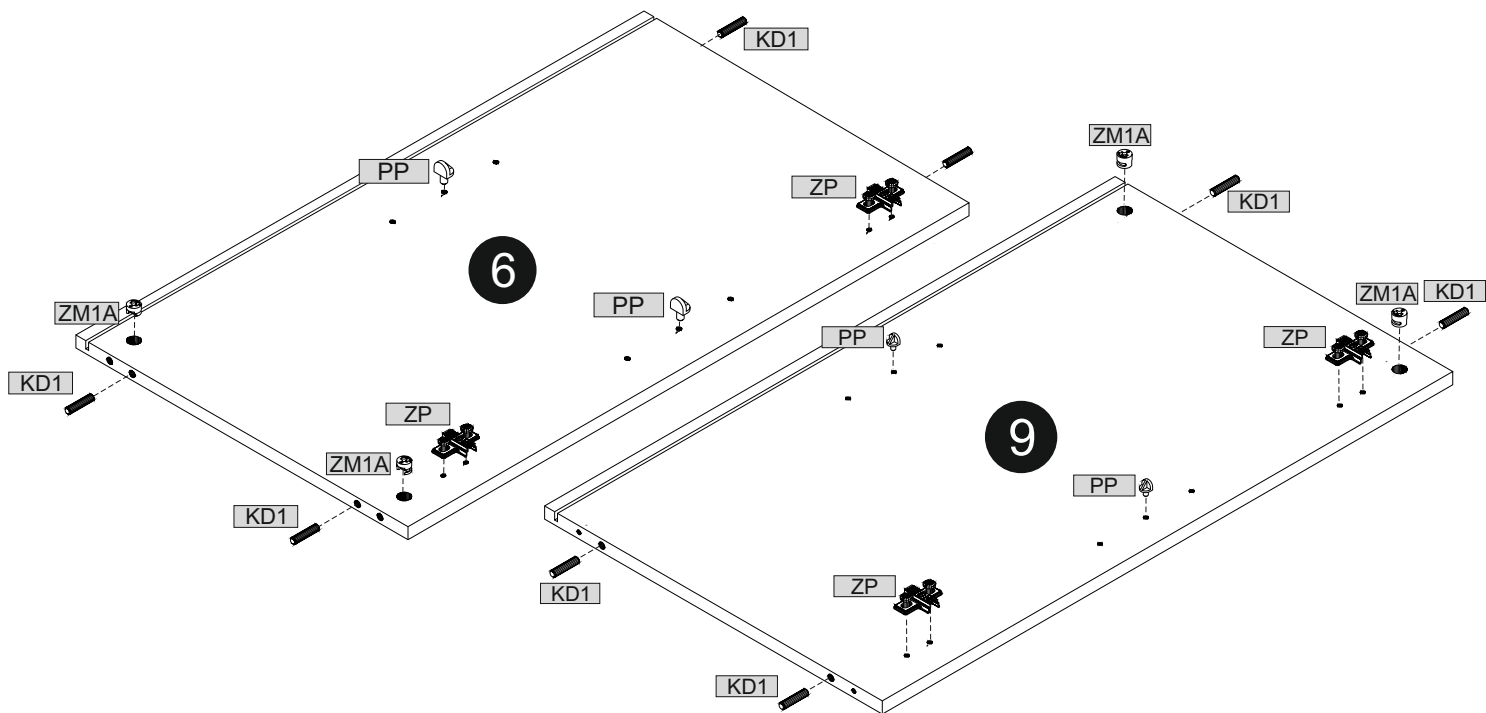
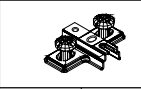
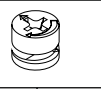
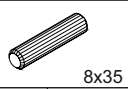
	1		4
S1		W1	



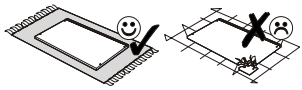
05



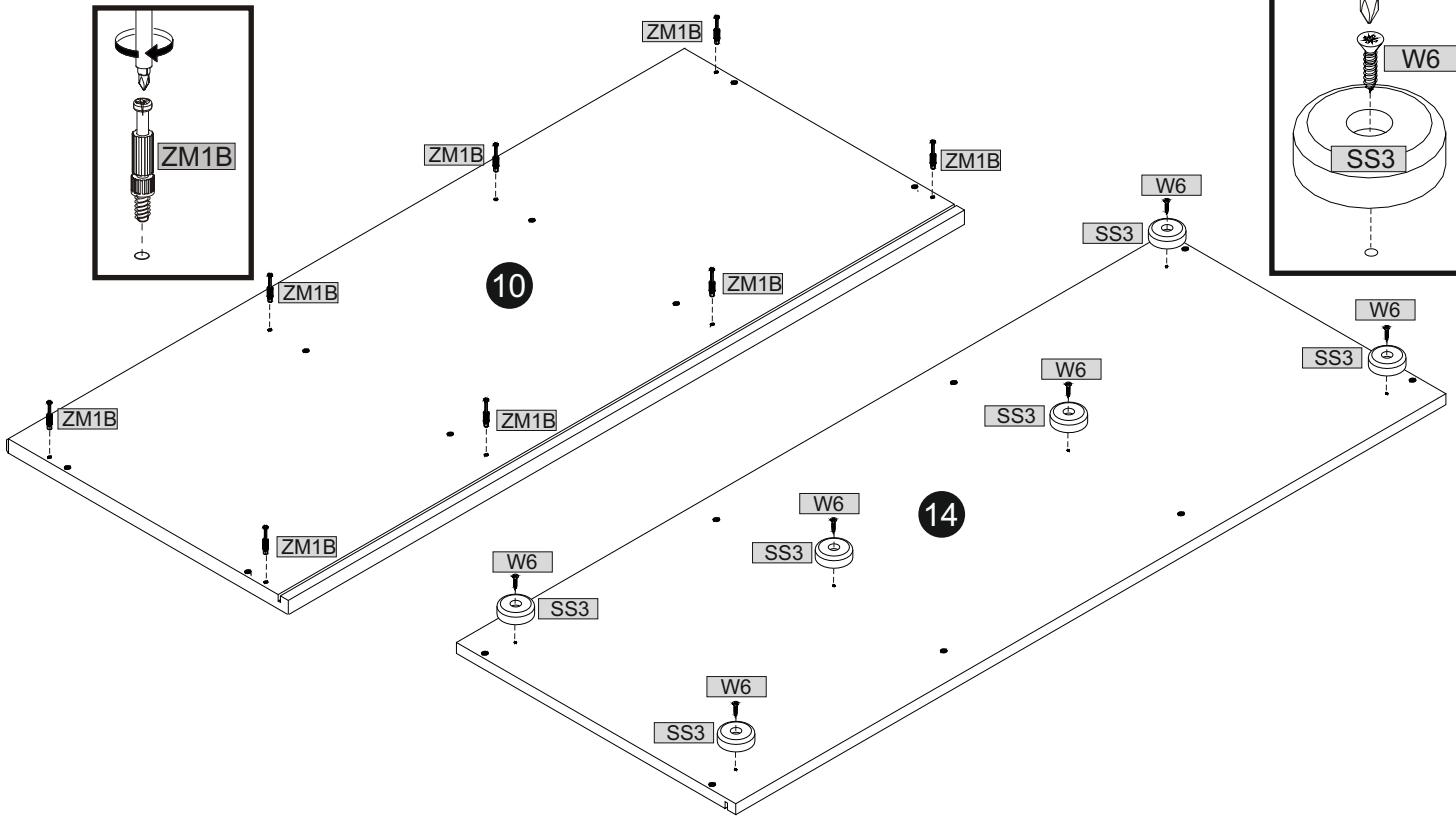
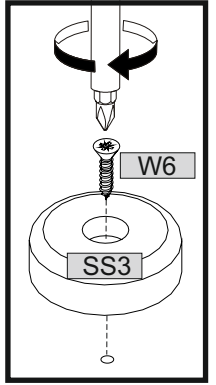
	8		4		4		4
KD1		ZM1A		PP		ZP	



06



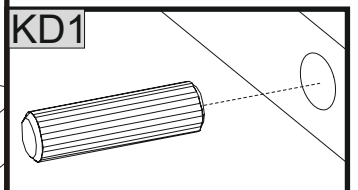
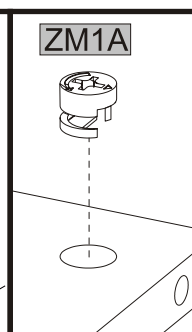
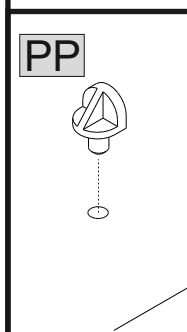
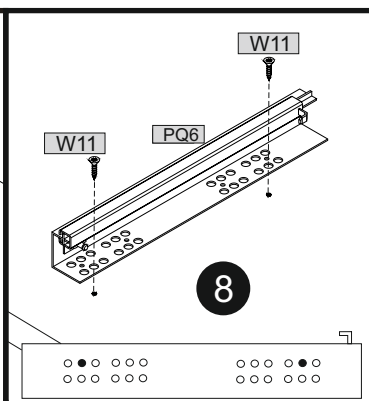
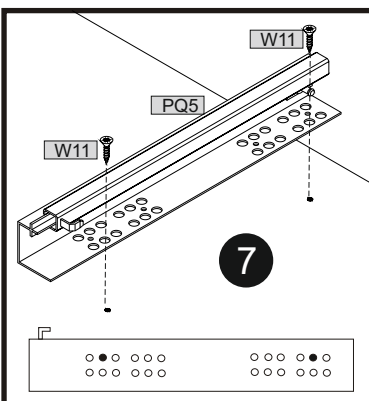
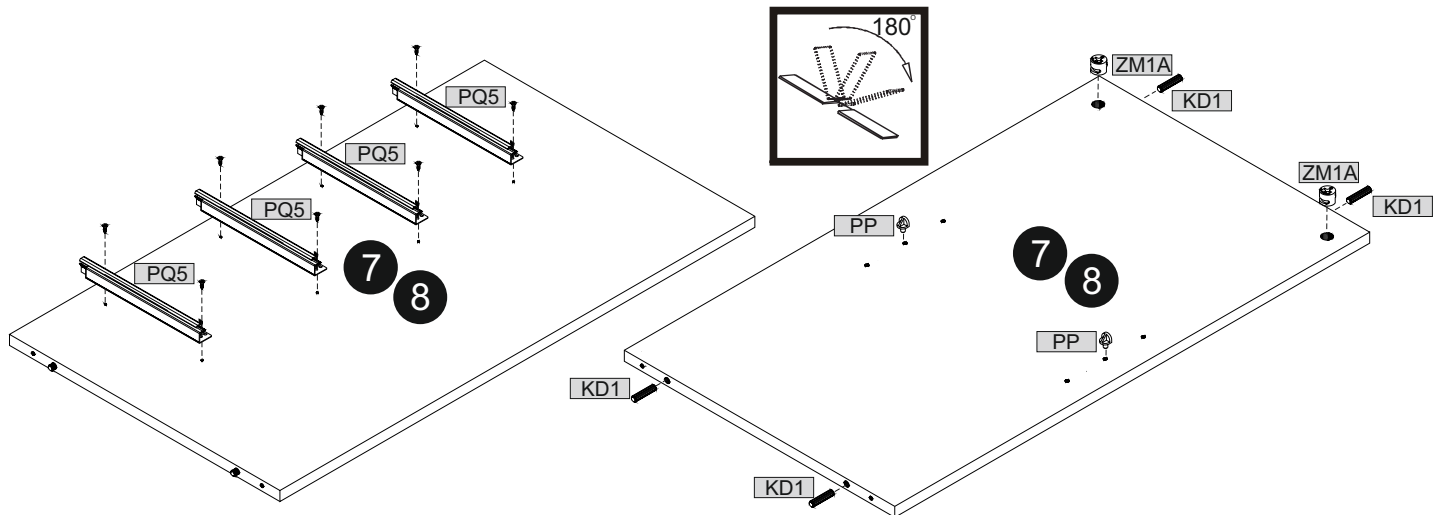
ZM1B	SS3	W6
8	6	6



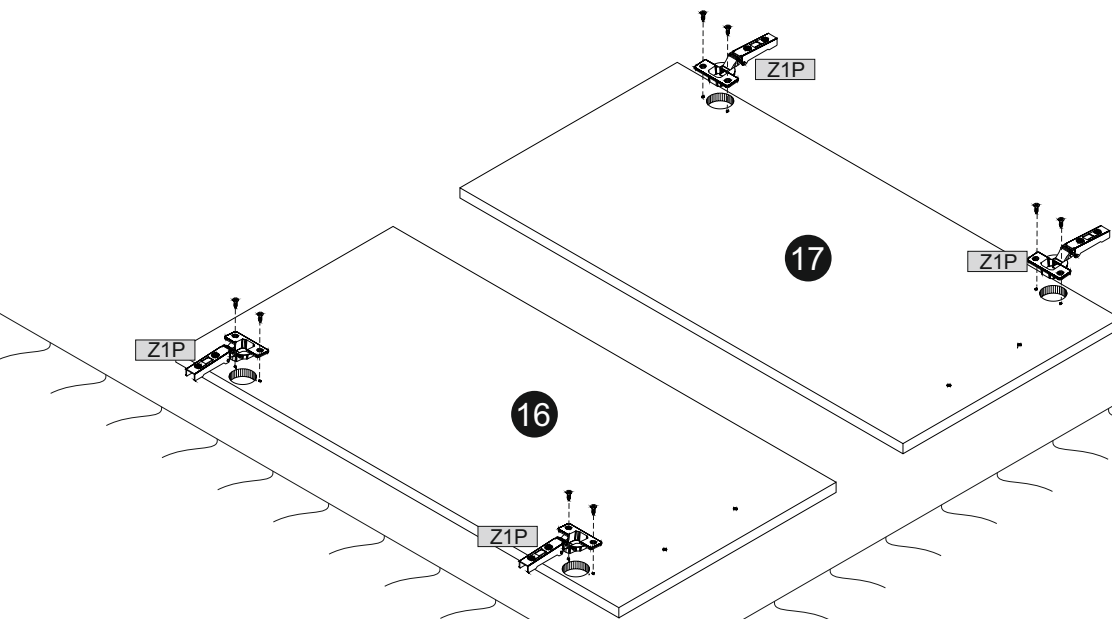
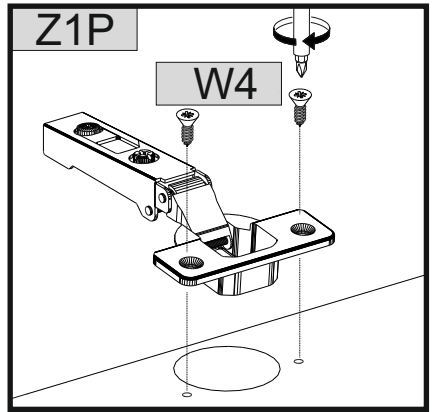
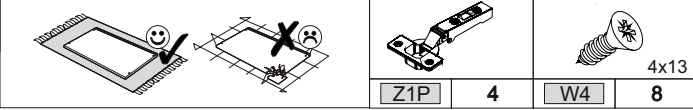
07



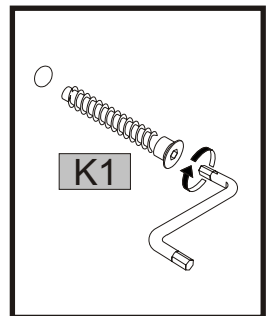
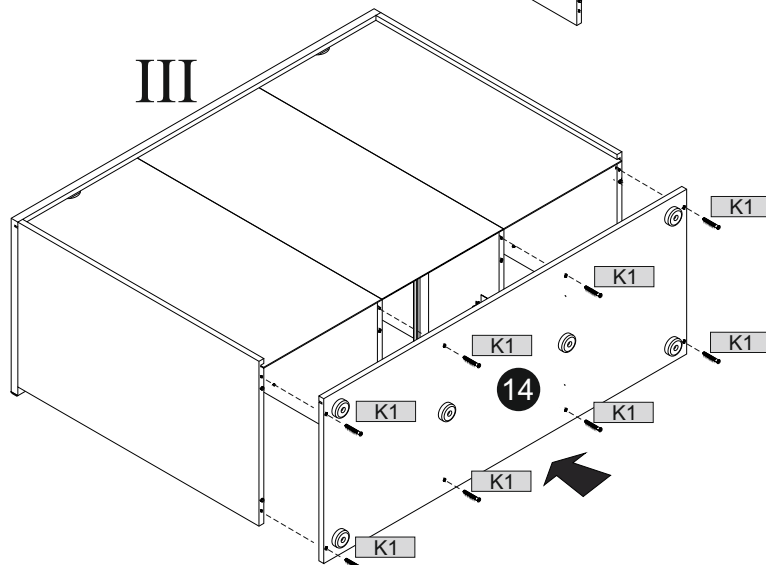
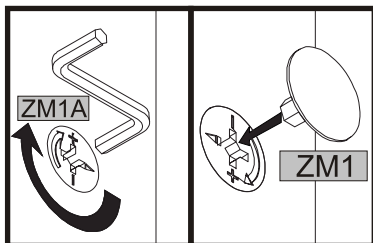
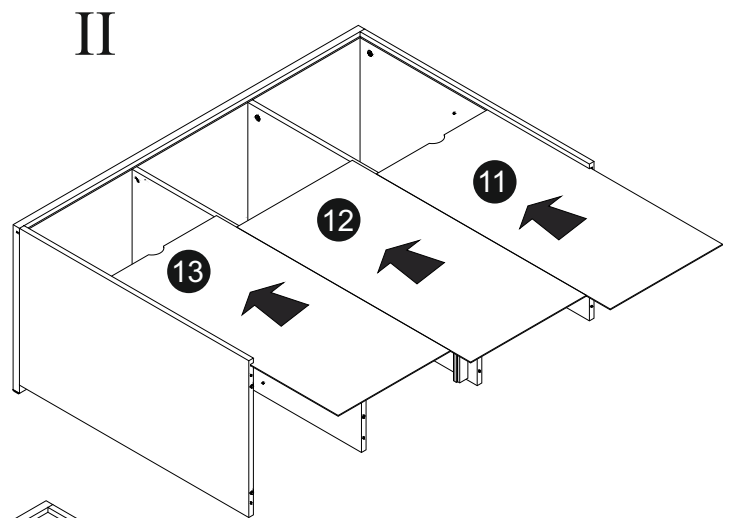
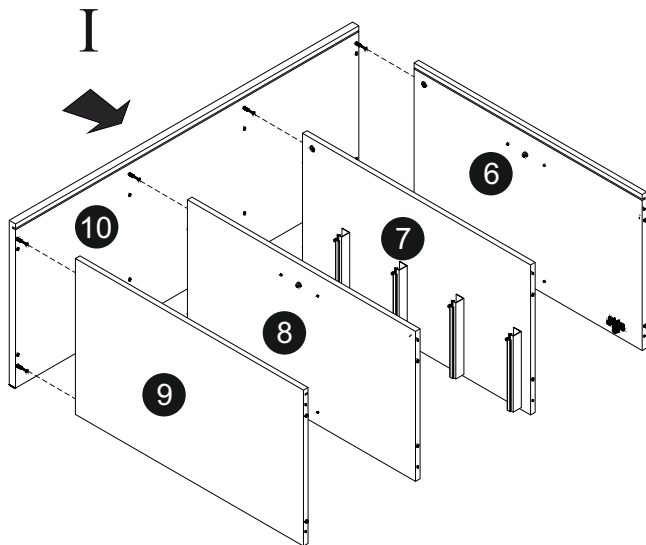
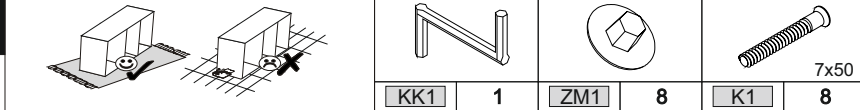
KD1	ZM1A	PQ5	PQ6	W11	PP
8	4	4	4	16	4



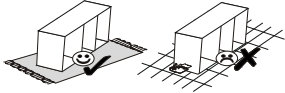
08



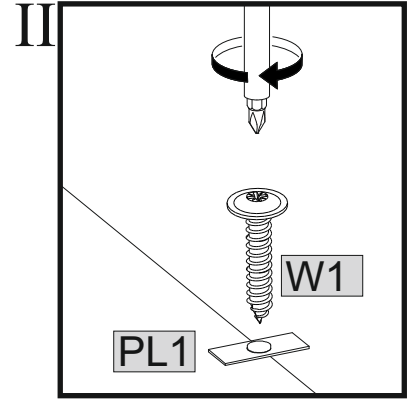
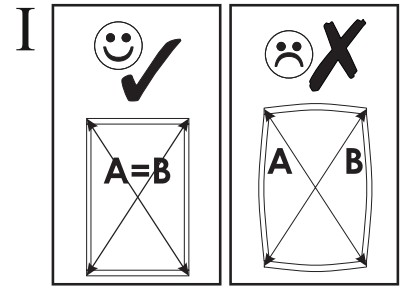
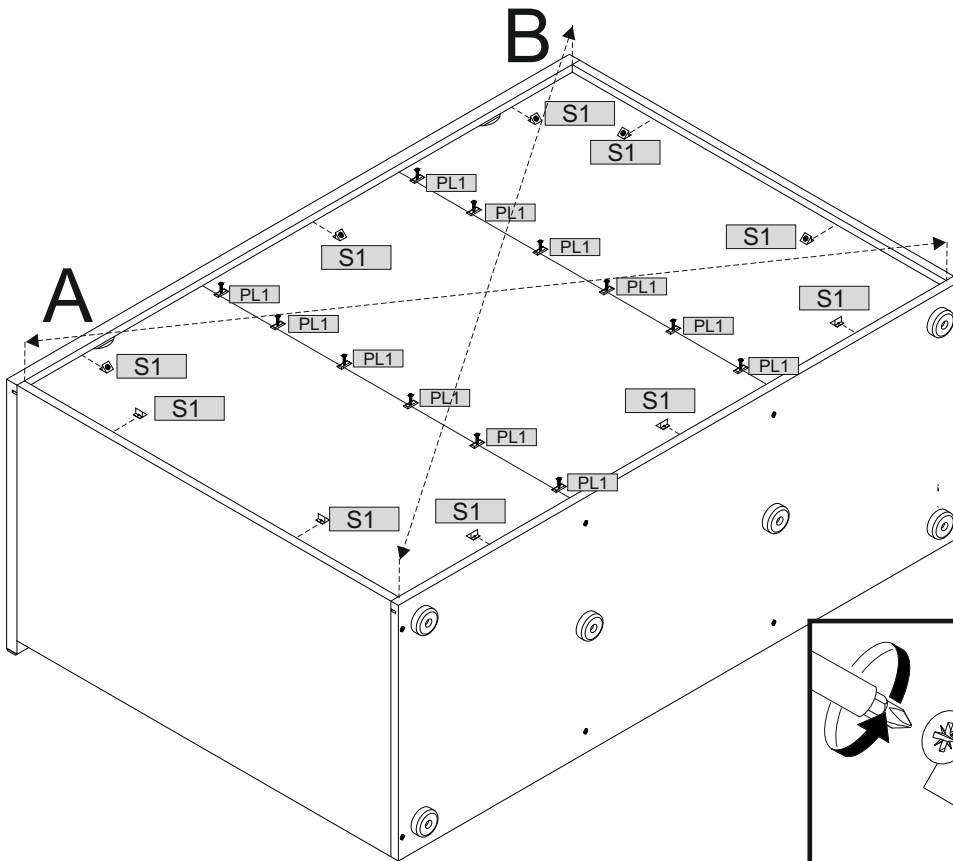
09



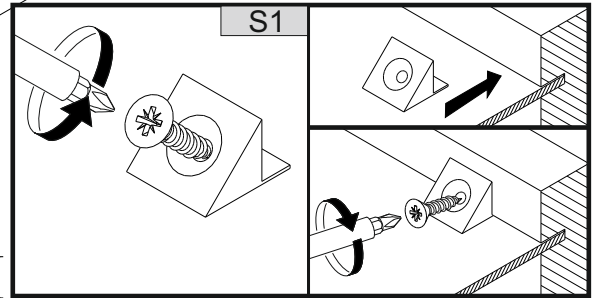
10



	10		12		12
--	----	--	----	--	----

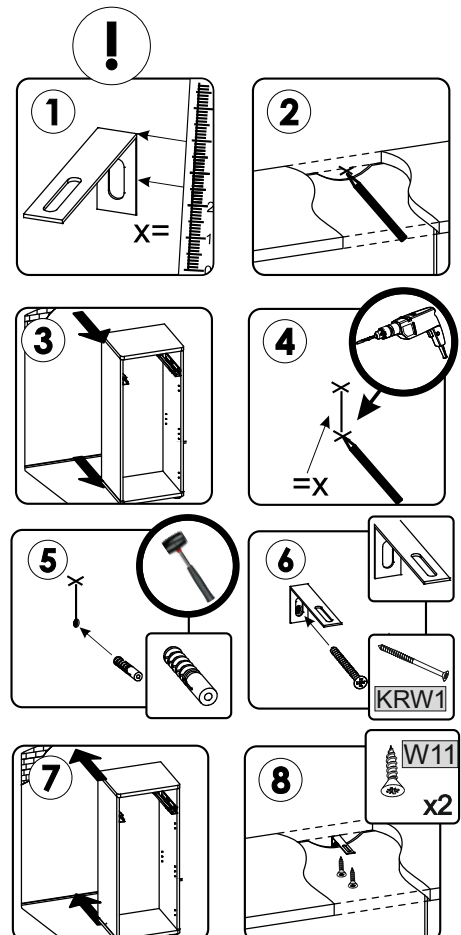
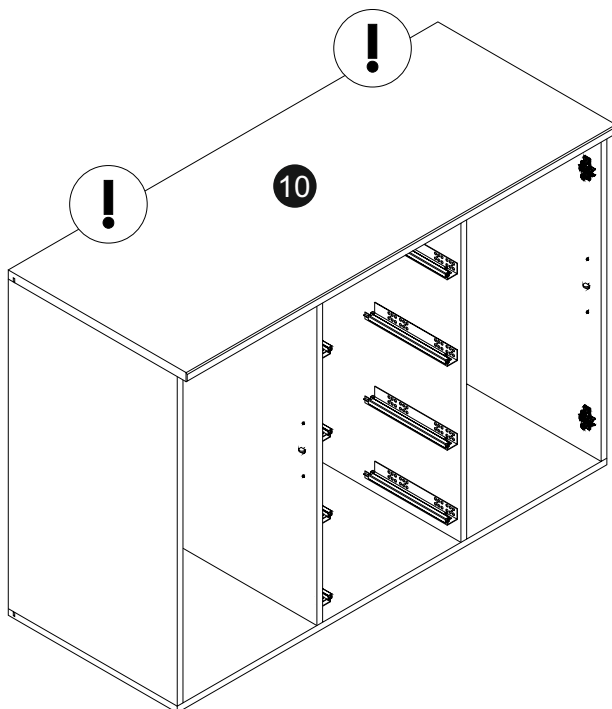


III

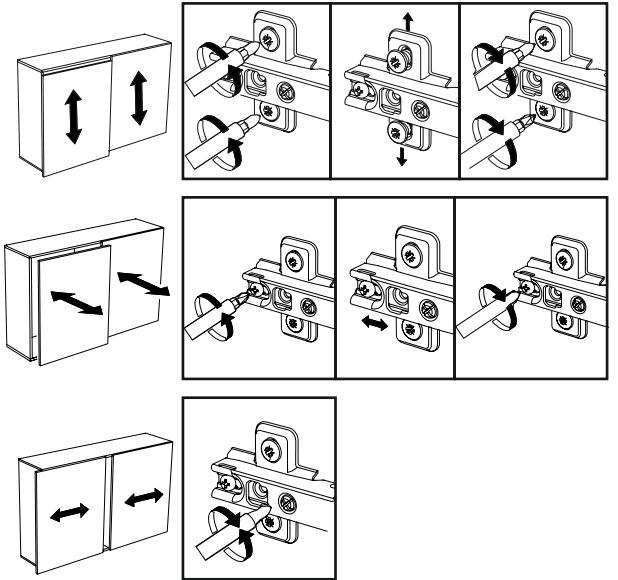
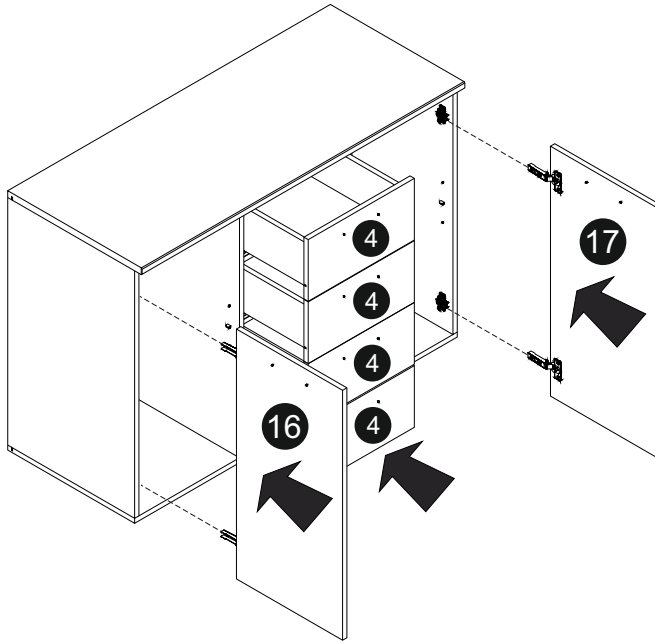
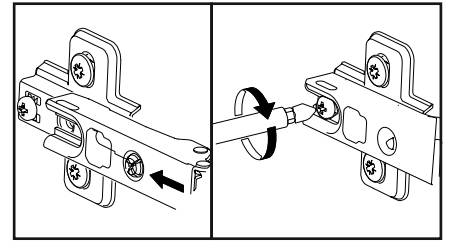
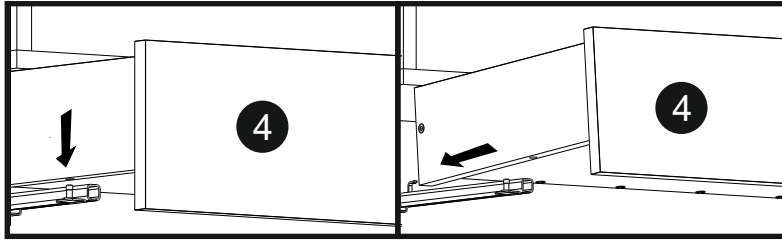


11

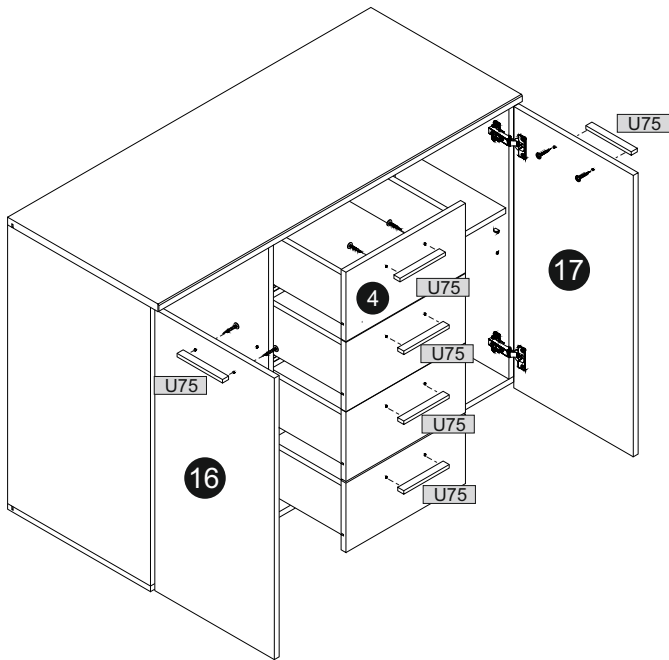
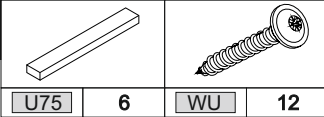
	2		2		4
--	---	--	---	--	---



12



13



14

