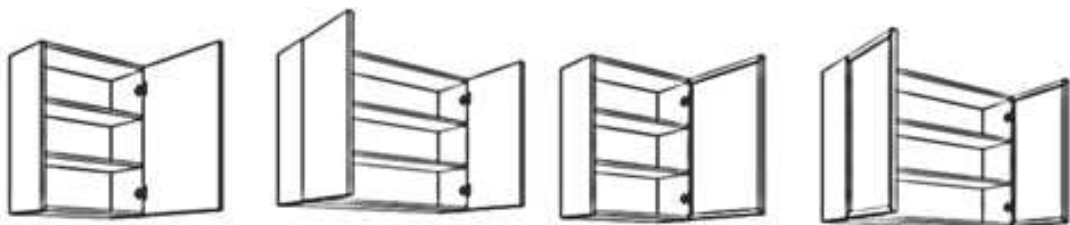
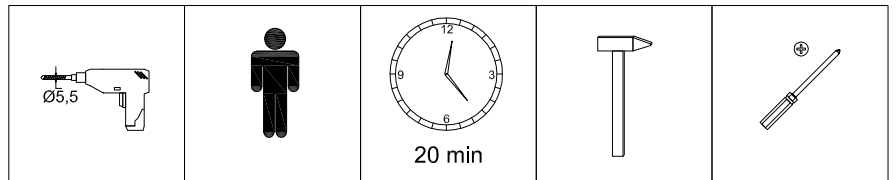
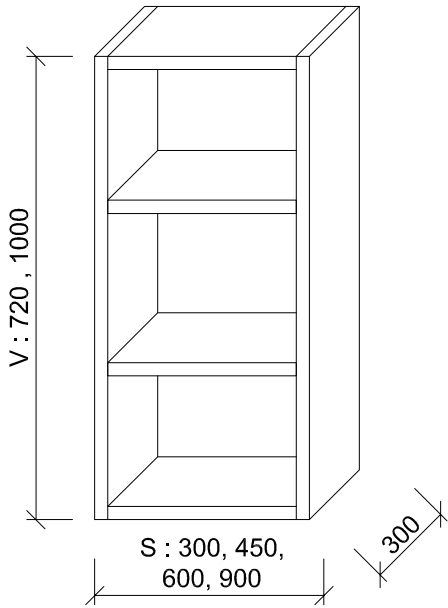
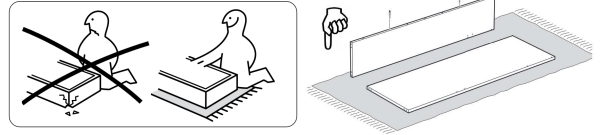
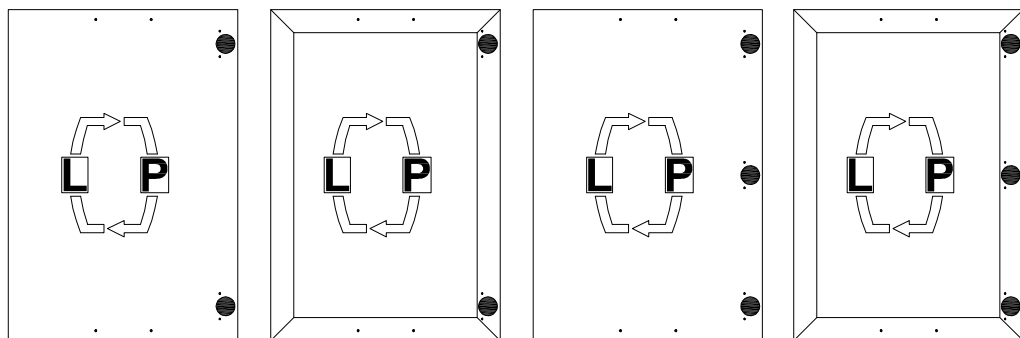


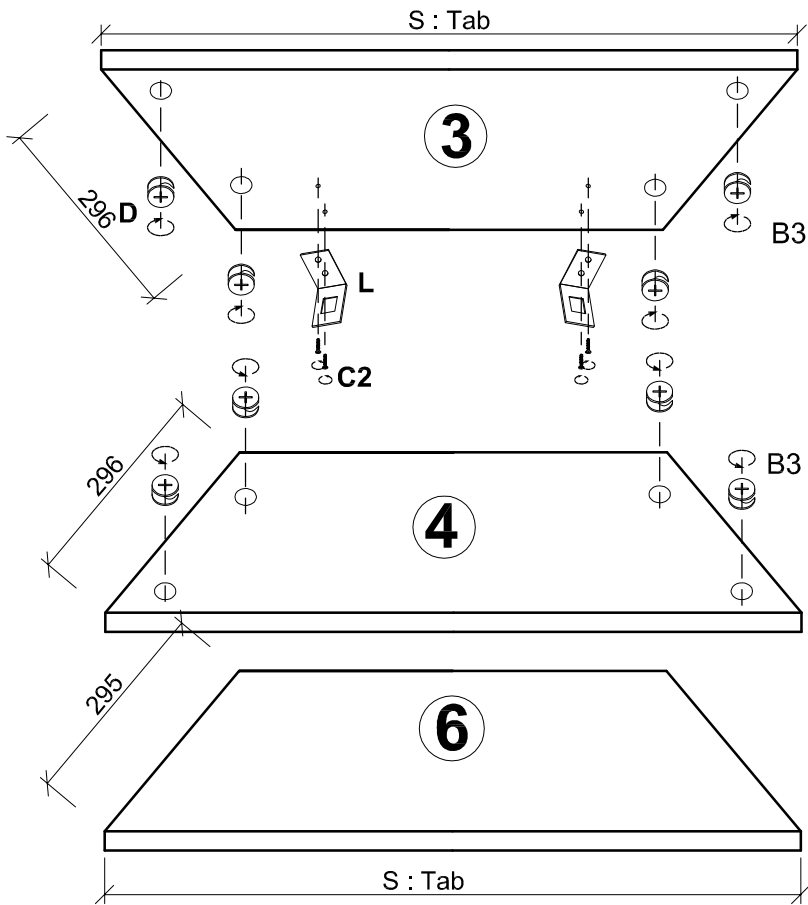
K10 HS300 V:720
 K11 HS450 V:720
 K12 HS600 V:720
 K13 HS900 V:720
 K16 HS300 V:1000
 K17 HS450 V:1000
 K18 HS600 V:1000

A	x8	B	x8	B1	x8	B3	x8	B4	x8
C2	x4	F	x30	G	x2	H	x8	L	x2

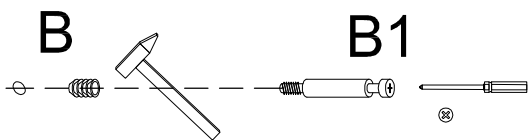


WD WD WG WG
 + F10,F11,F12,F21,F22,F23,F25,F26,F27,F28

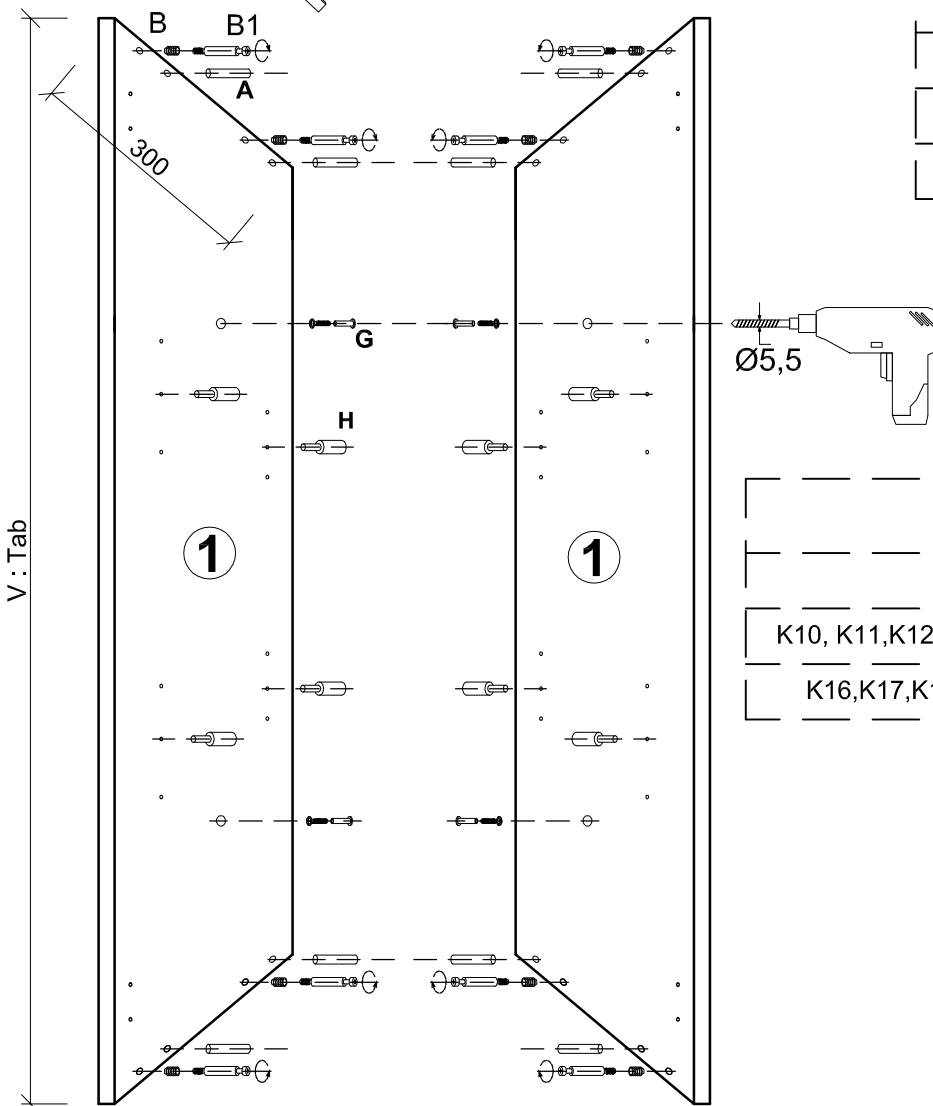




	③		④	
	S	H	PCS	
K10	264	296	2x	
K11	414	296	2x	
K12	564	296	2x	
K13	864	296	2x	
K16	264	296	2x	
K17	414	296	2x	
K18	864	296	2x	

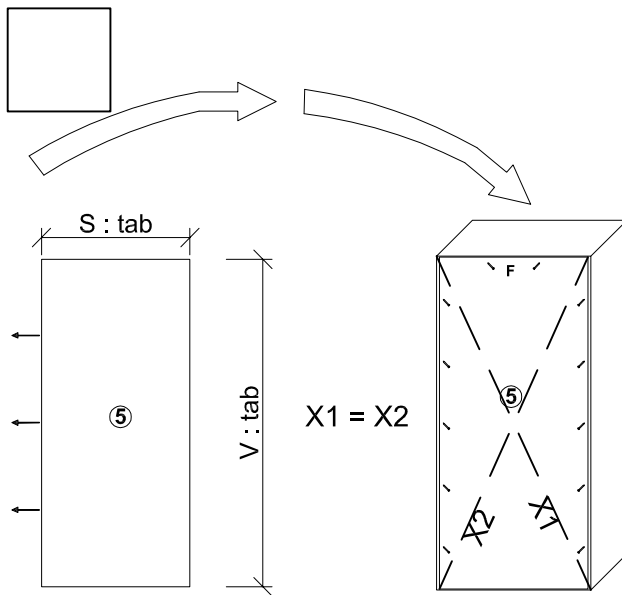
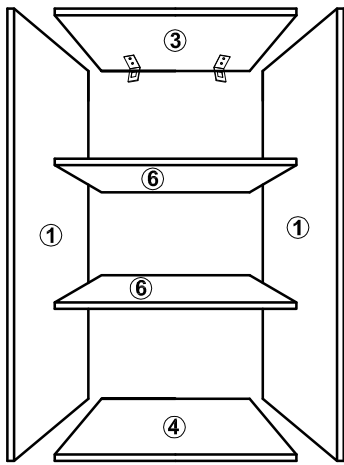


	⑥		
	S	H	PCS
K10	264	295	2x
K11	414	295	2x
K12	564	295	2x
K13	864	295	2x
K16	264	295	2x
K17	414	295	2x
K18	864	295	2x



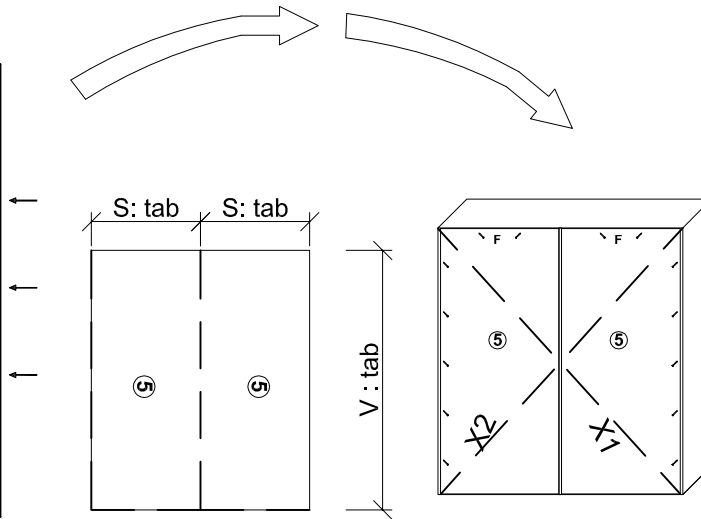
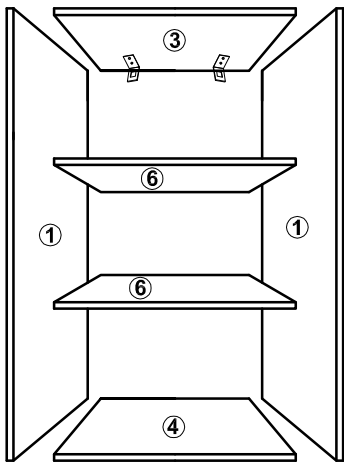
	①		
	V	S	PCS
K10, K11, K12, K13	720	300	2x
K16, K17, K18	1000	300	2x

K10 HS300 V:720
K16 HS300 V:1000



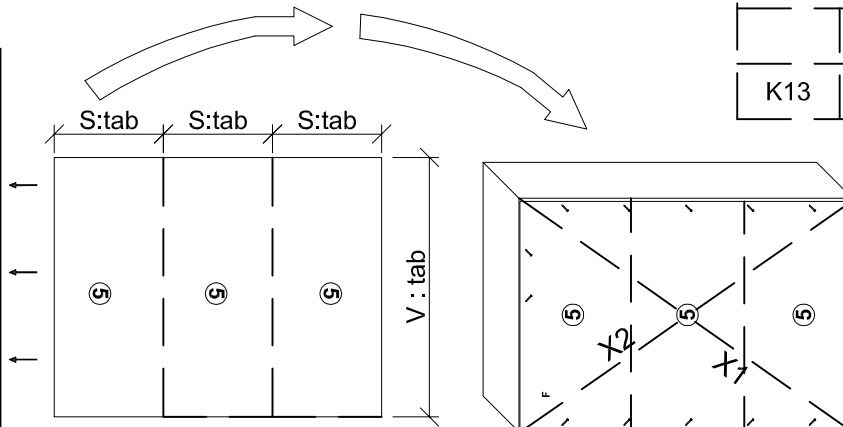
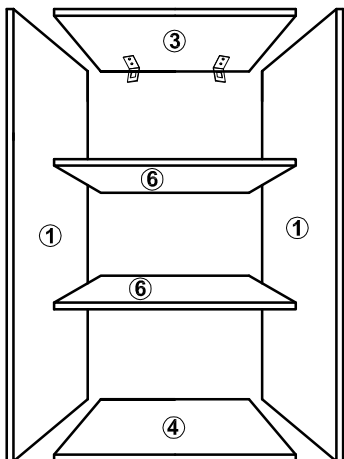
⑤			
	V	S	PCS
K10	715	286	1x
K16	995	286	1x

K11 HS450 V:720
K12 HS600 V:720
K17 HS450 V:1000
K18 HS600 V:1000



⑤			
	V	S	PCS
K11	715	218	2x
K12	715	293	2x
K17	995	218	2x
K18	995	293	2x

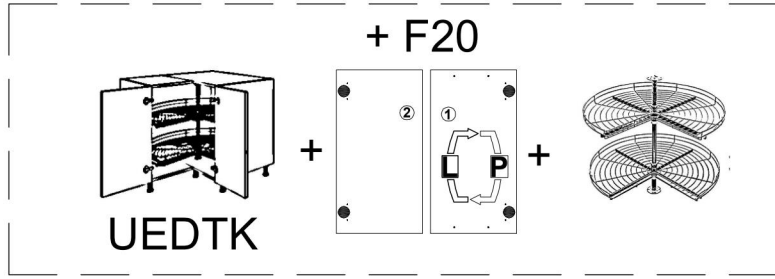
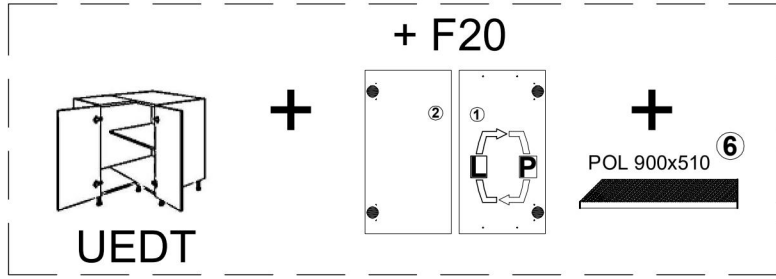
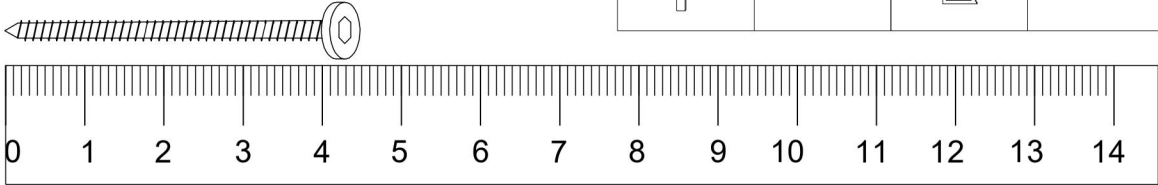
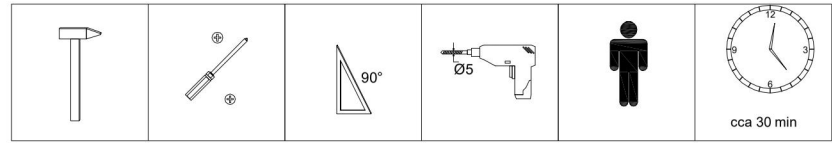
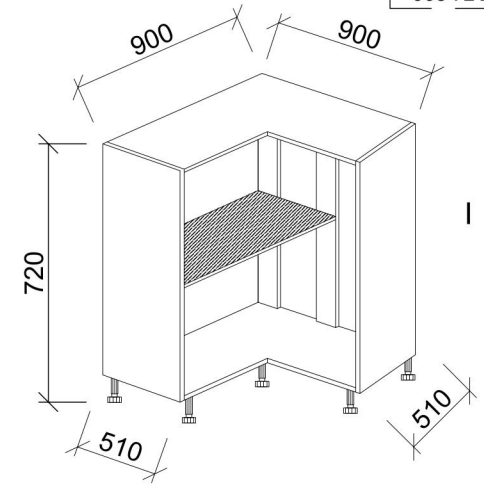
K13 HS900 V:720



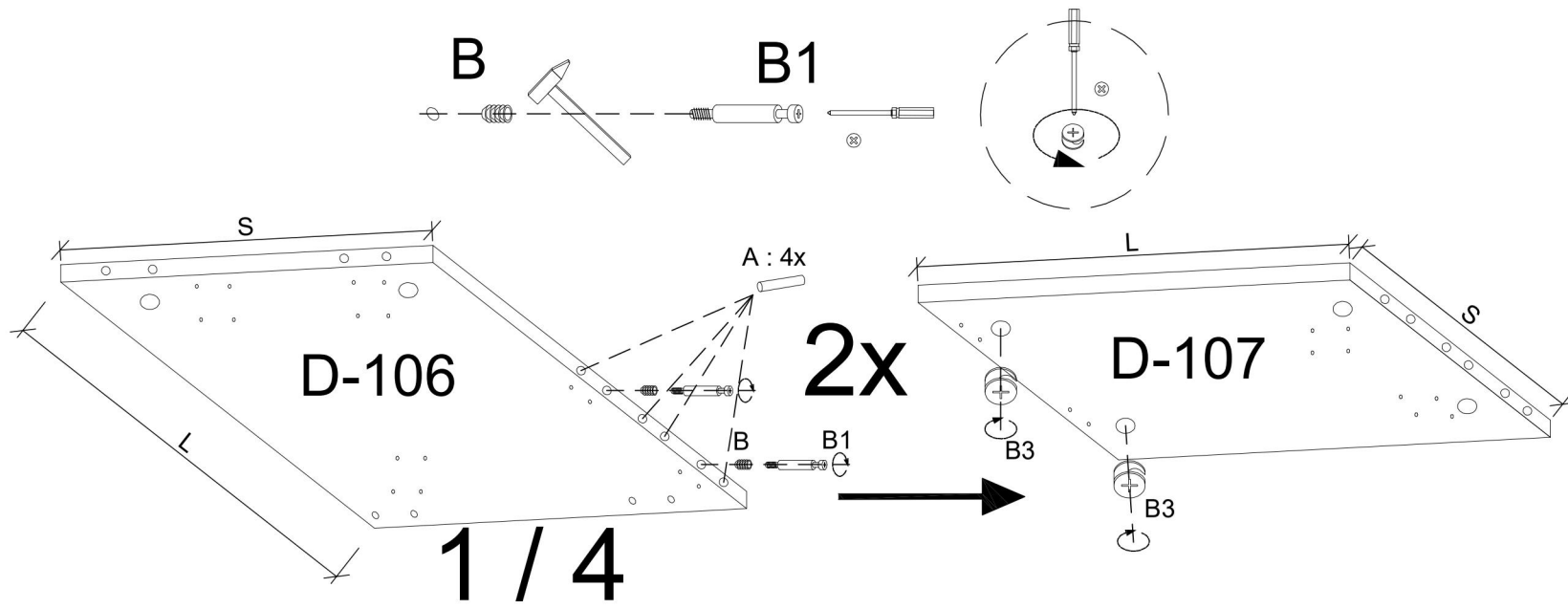
⑤			
	V	S	PCS
K13	715	295,5	3x

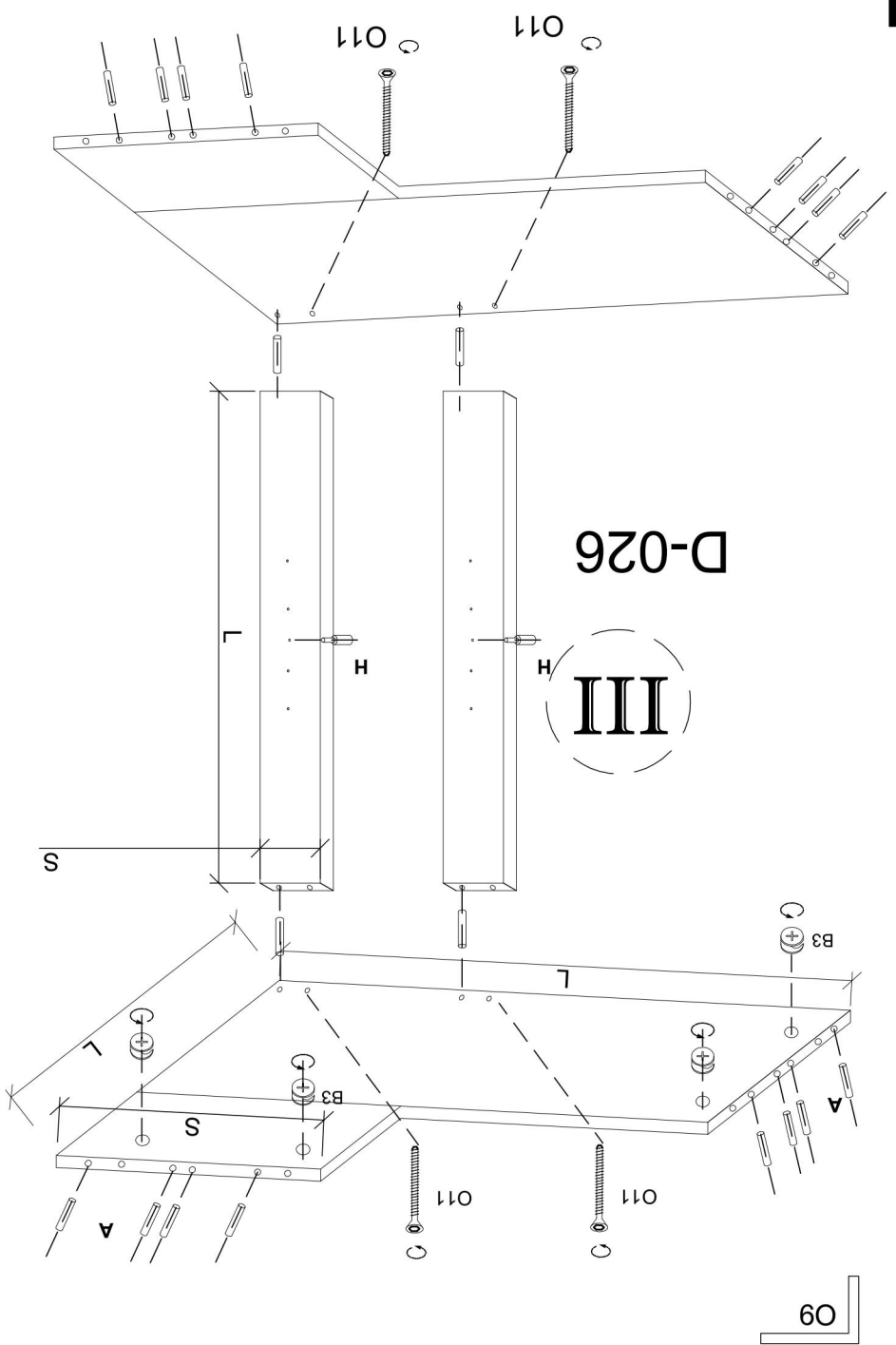
K9

A x 28 8mm x 40mm 	B x 14 8x6x13 	B1 x 12 8x6x40 	B2 x 12 Ø18mm 	B3 x 12 15x13 15x13 	C2 x 28 3.5 x 16 mm 	D5 x 4 4 x 40 mm
I x 7 v = 100-120 mm 	F x 50 3 x 25 mm 	G x 2 4 x 31 mm 	H x 4 	O2 x 1 4 mm 	O3 x 4 70 x 5 mm 	K9

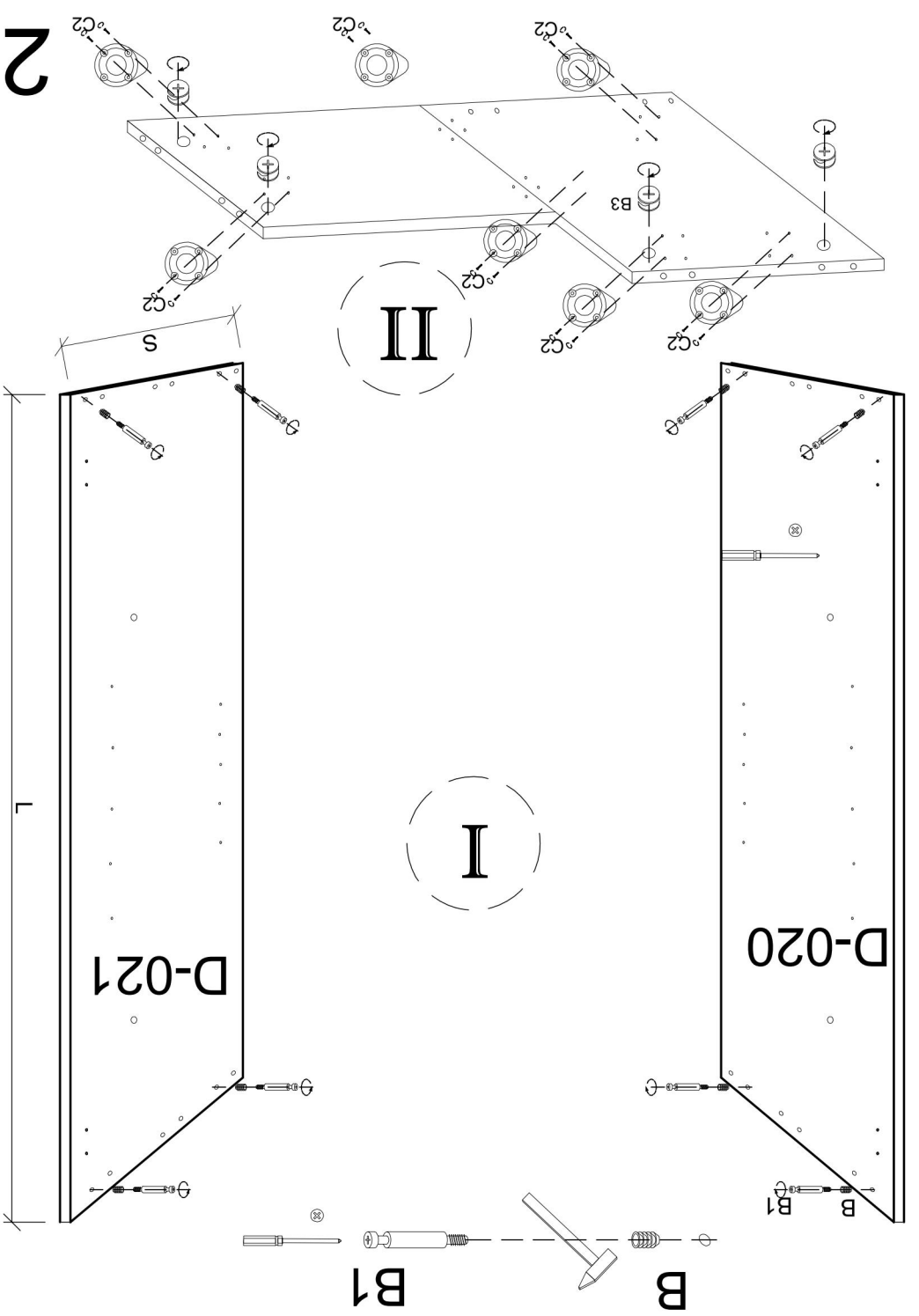


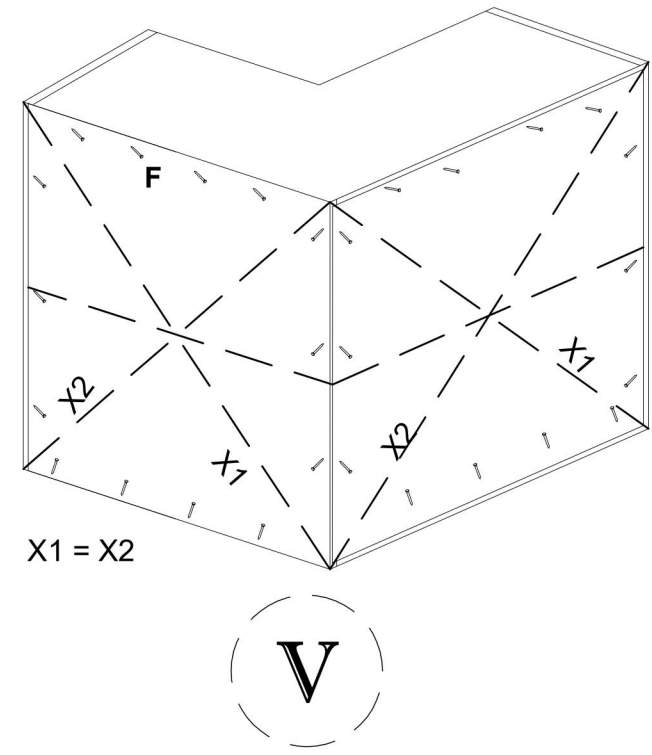
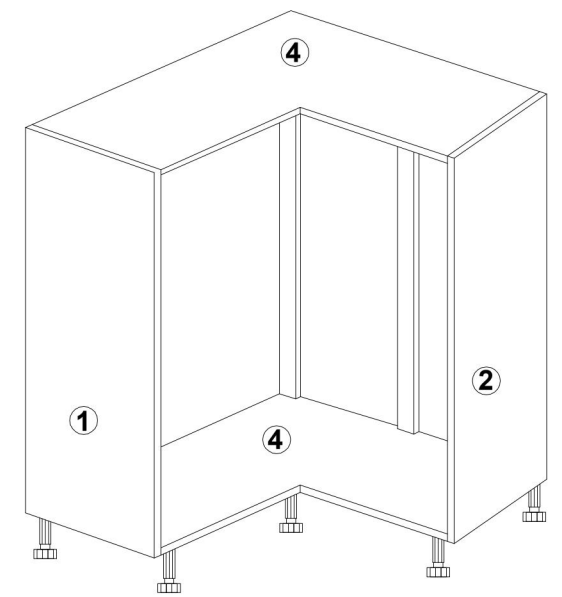
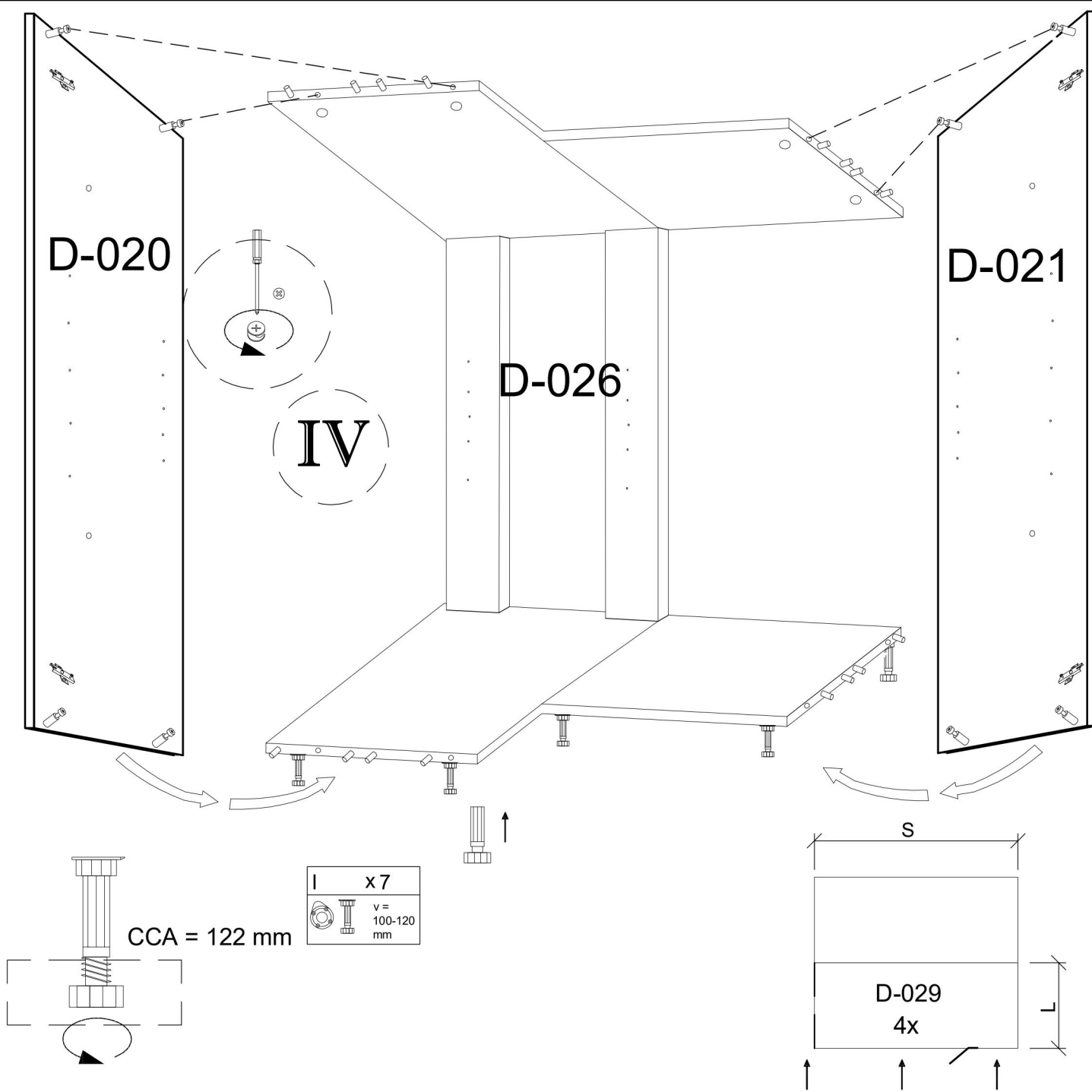
	L	S	
D-020	720	510	1x
D-021	720	510	1x
D-106	879	506	2x
D-107	373	506	2x
D-059	356	886	4x
D-026	683	85	2x

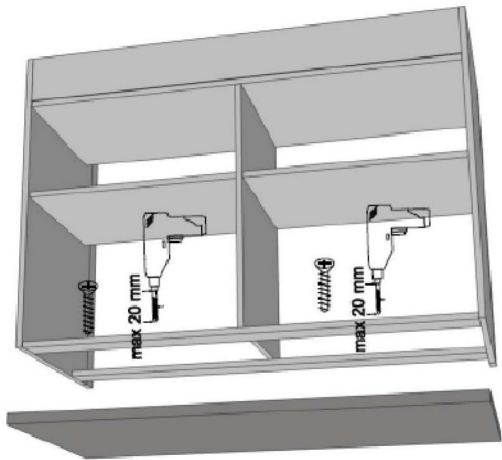
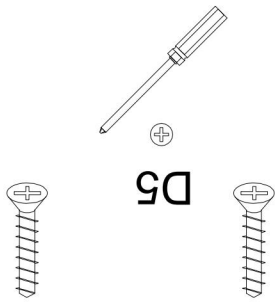




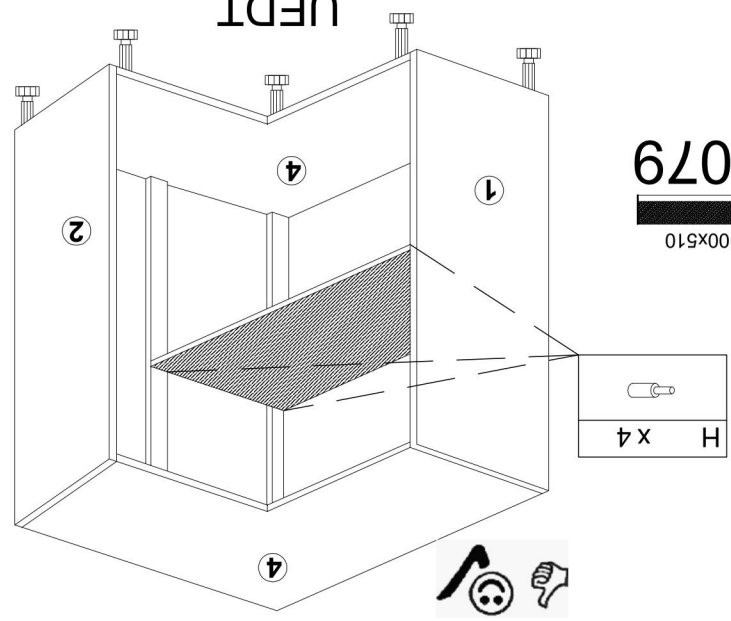
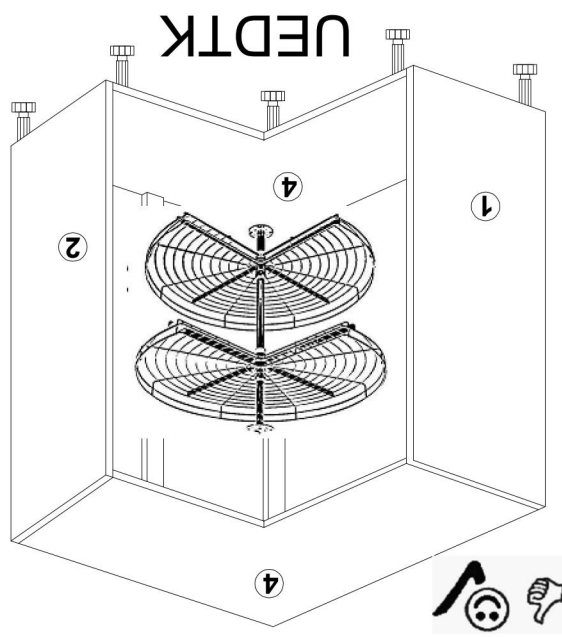
2 / 4





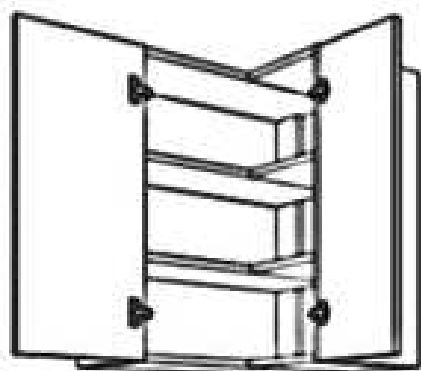
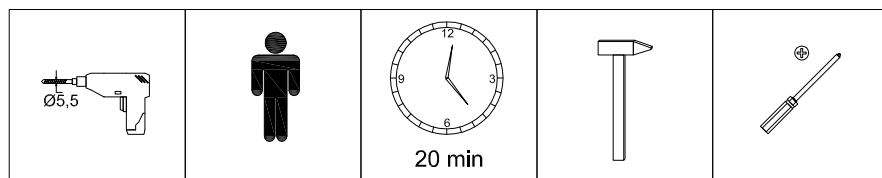
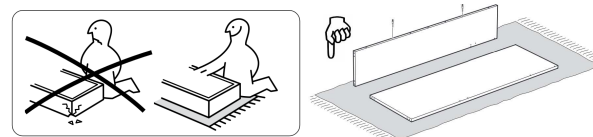
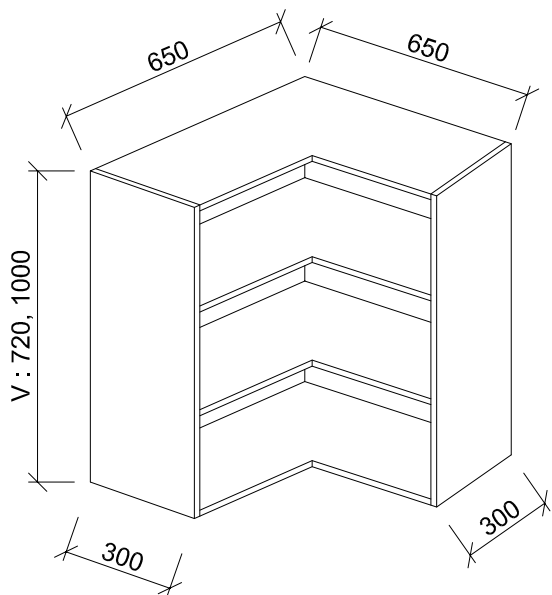


PD
UEDT



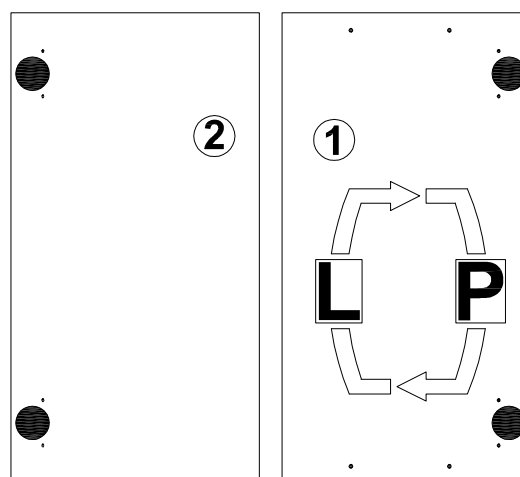
K15 HSROH V:720
K19 HSROH V:1000

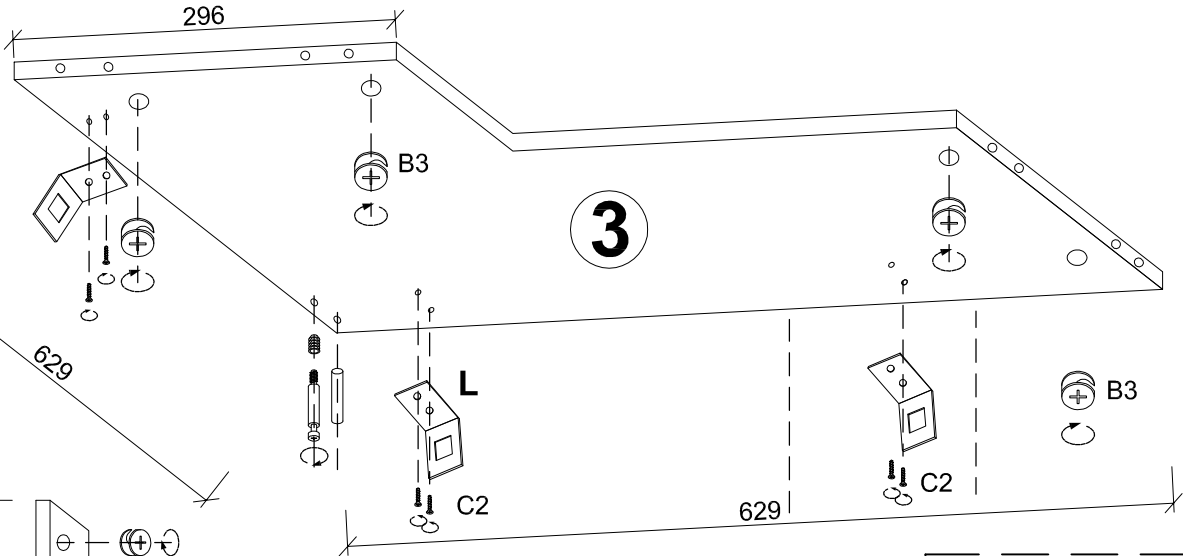
A	x10	B	x10	B1	x10	B3	x10	B4	x10
			8x6x13		8x6x40		15x13		Ø5 / Ø13mm
C2	x6	F	x45	G	x4	H	x10	L	x3



WE

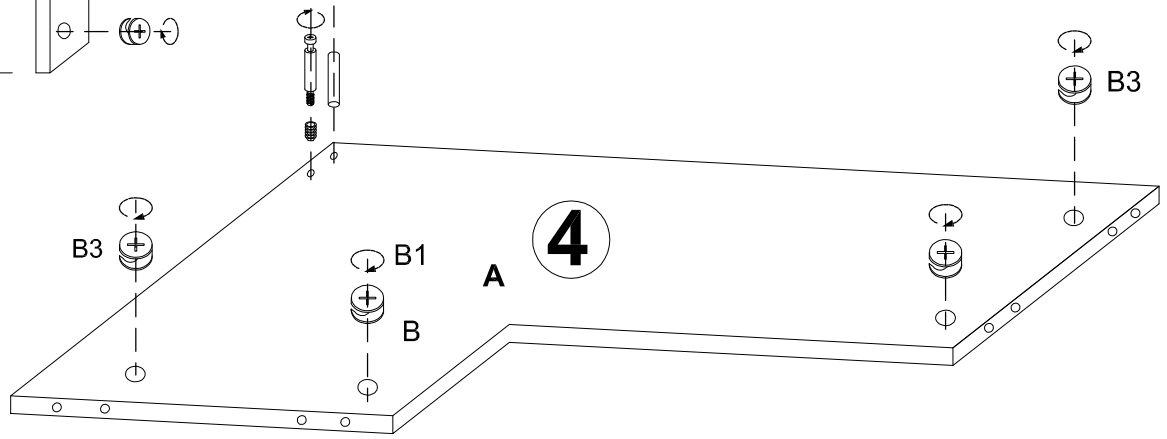
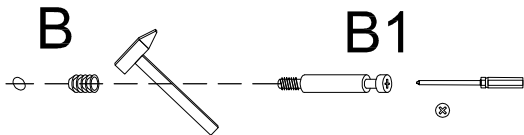
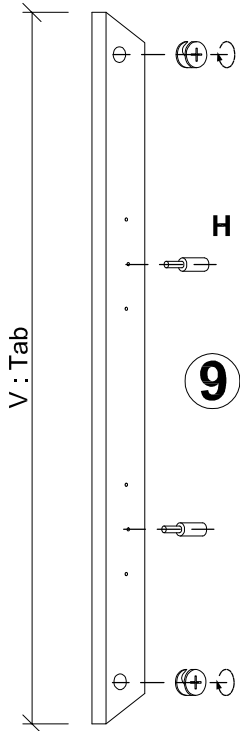
+ F6, F24



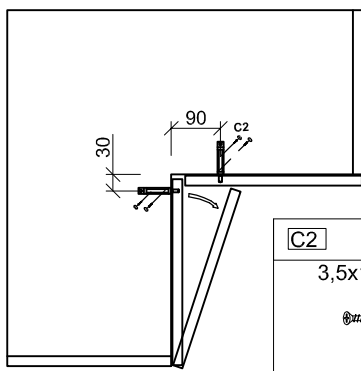


3		4	
S	H	PCS	
K15	629	629	2x
K19	629	629	2x

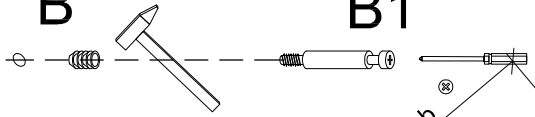
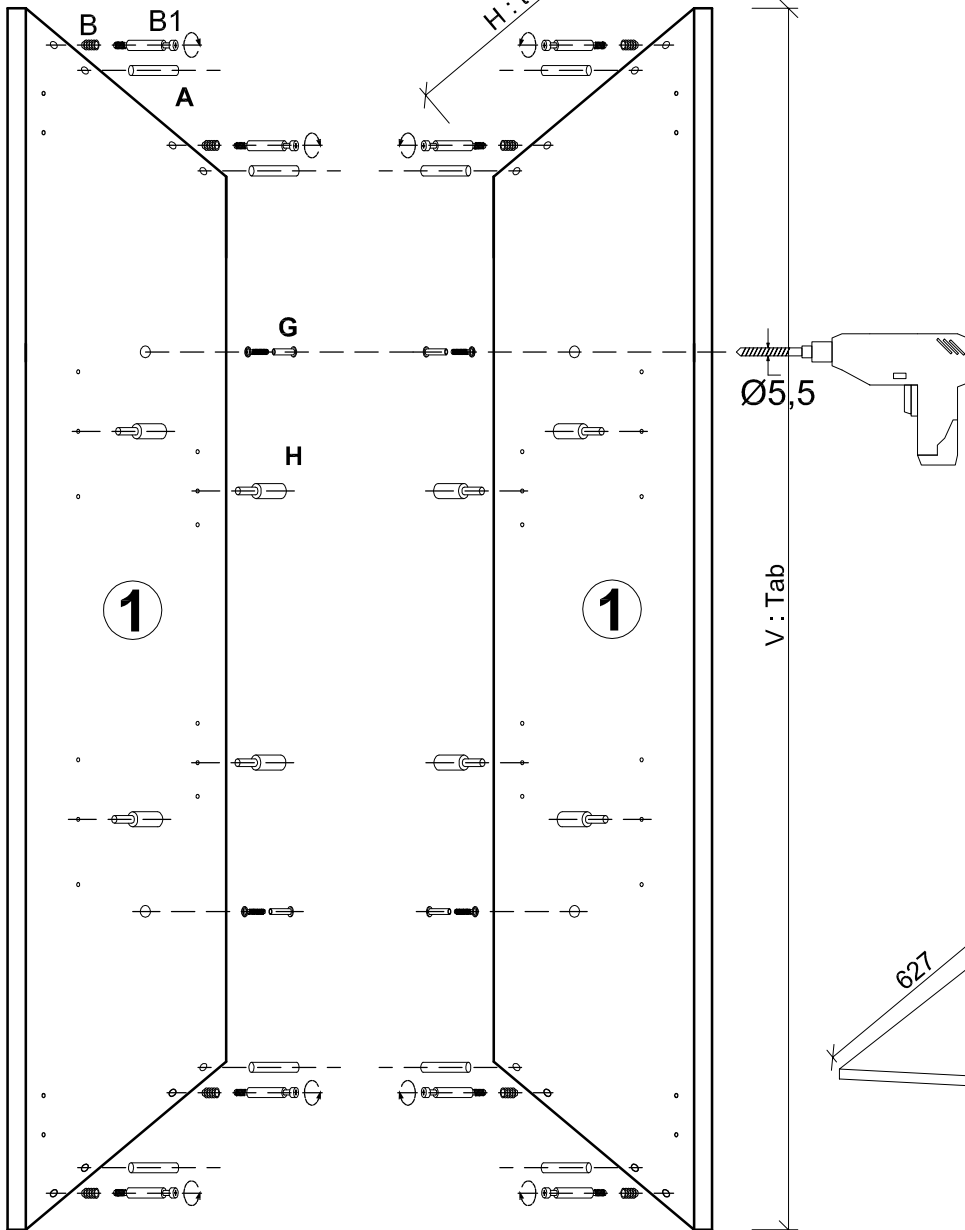
9			
V	H	PCS	
K15	682	80	1x
K19	962	80	1x



Variant:
Tlmenie/Tlmení

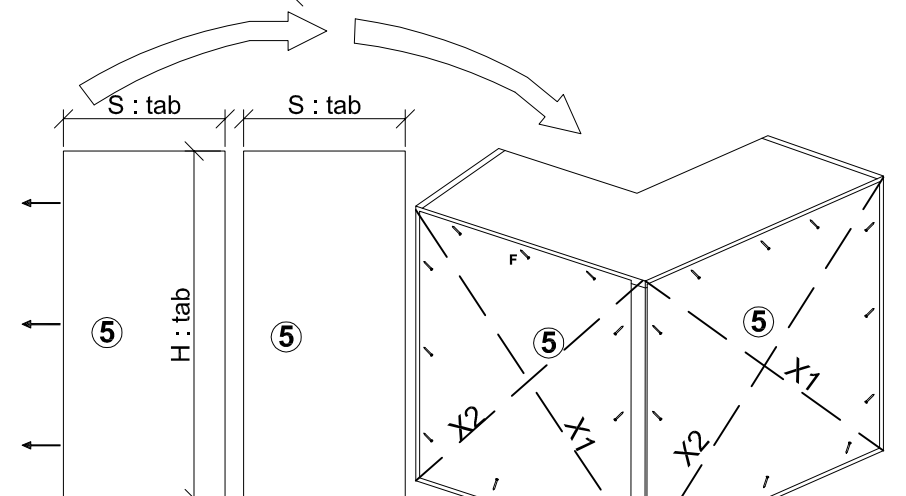
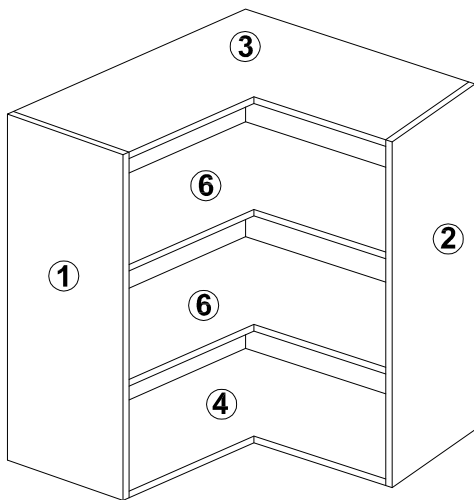
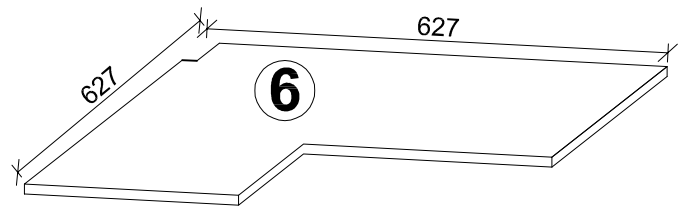


C2	x6
3,5x16mm	

B**B1**

①			
	V	H	PCS
K15	720	300	2x
K19	1000	300	2x

⑥			
	S	H	PCS
K15	627	627	2x
K19	627	627	2x

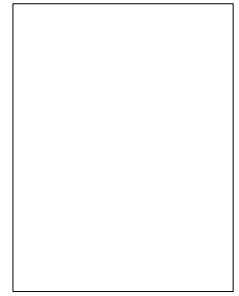
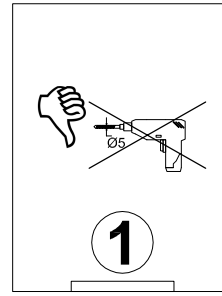


⑤			
	H	S	PCS
K15	715	640	2x
K19	995	640	2x

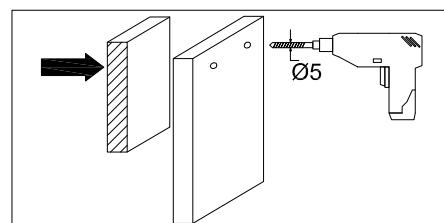
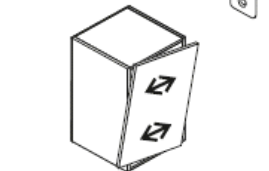
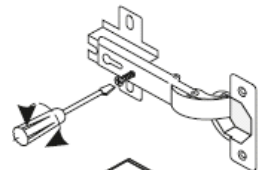
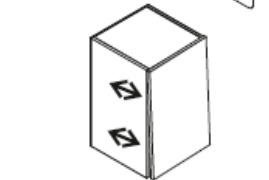
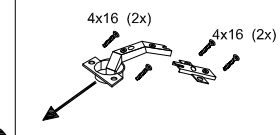
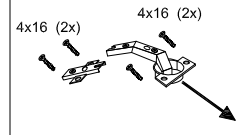
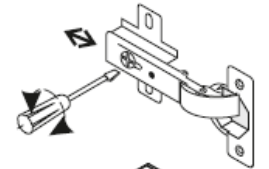
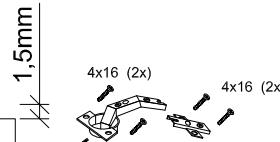
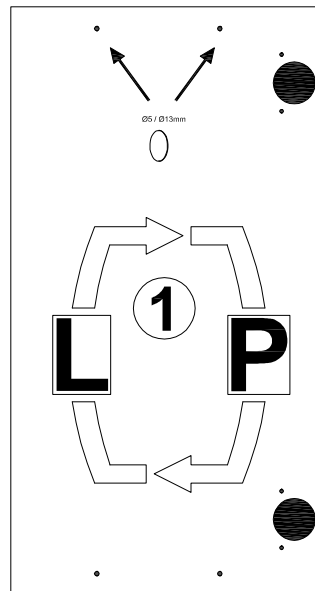
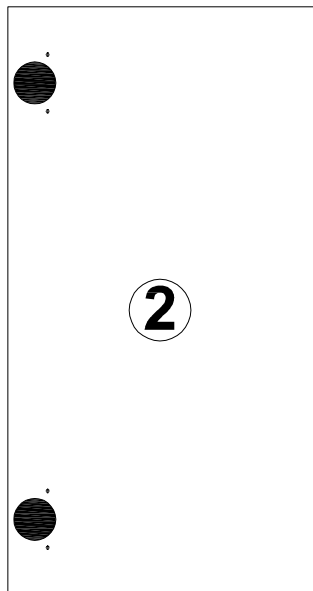
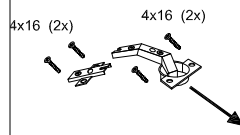
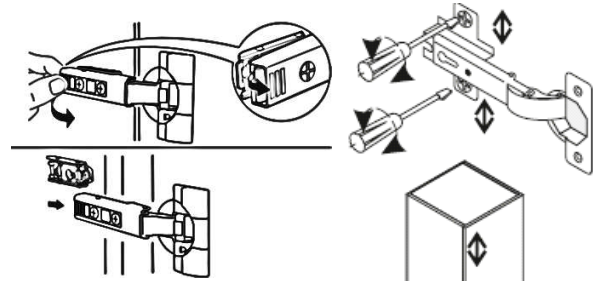
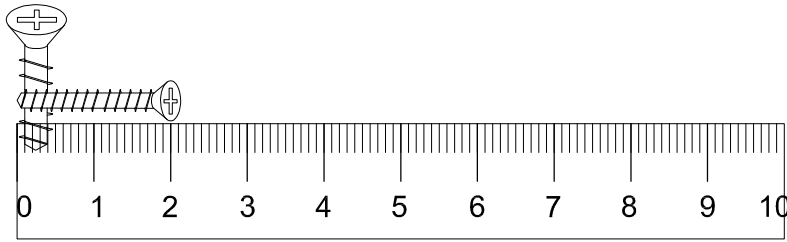
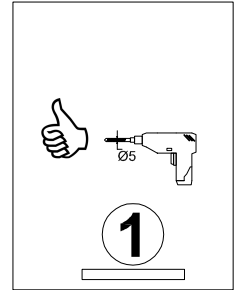
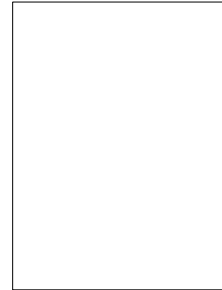
F 20 : 720x366 + 720x380

F 24 : 720x326 + 720x340

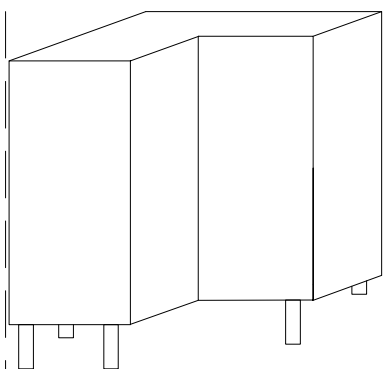
F 6 : 1000x326 + 1000x340



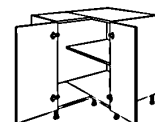
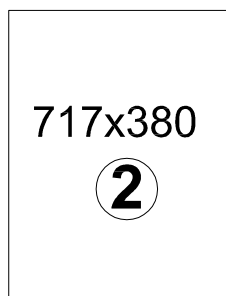
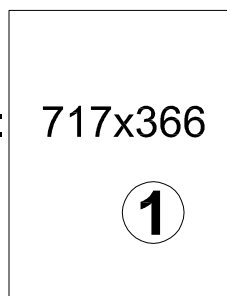
D	x18	J1	x4	M9	x4
4x16mm					



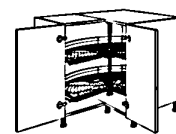
K9 DS-ROH



+ F 20 : 717x366 + 717x380 =



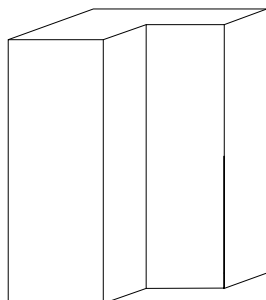
UEDT



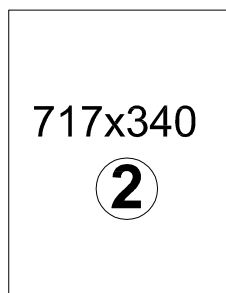
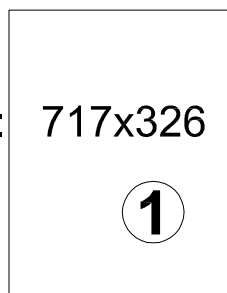
UEDTK

K15 HSROH

V:720



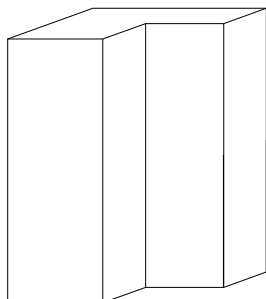
+ F 24 : 717x326 + 717x340 =



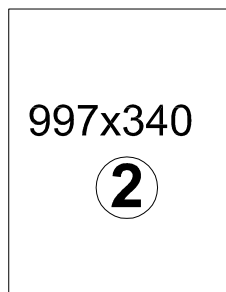
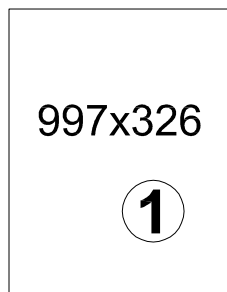
WE

K19 HSROH

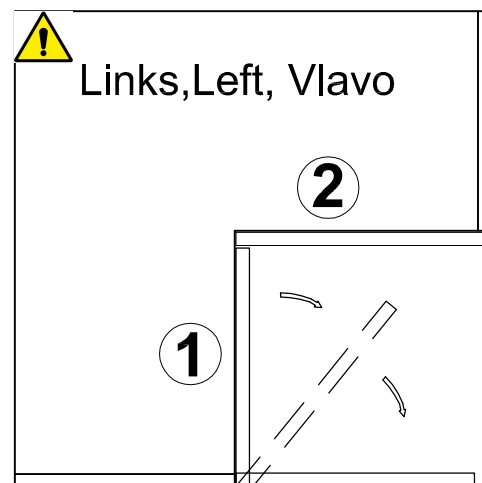
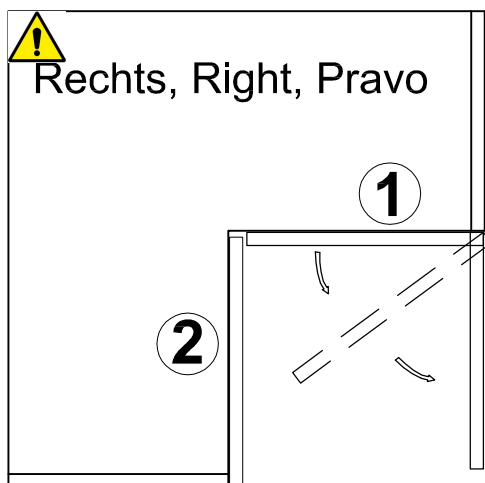
V:1000



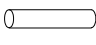

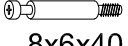
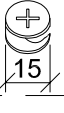
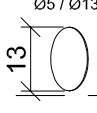
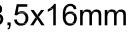

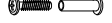
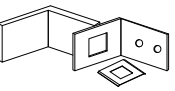
+ F 6 : 997x326 + 997x340 =

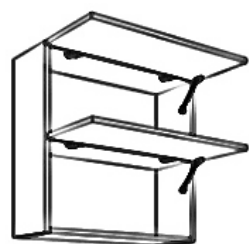
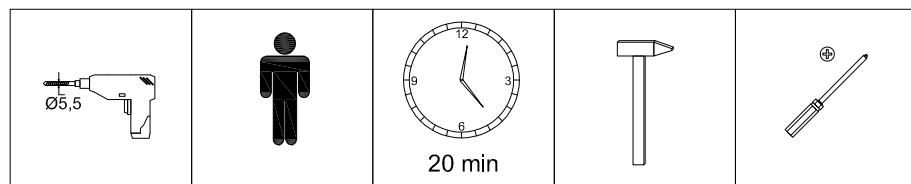
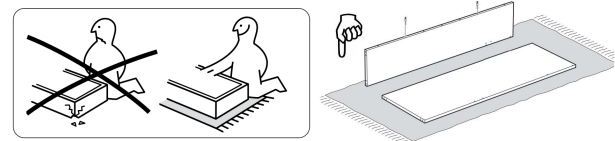
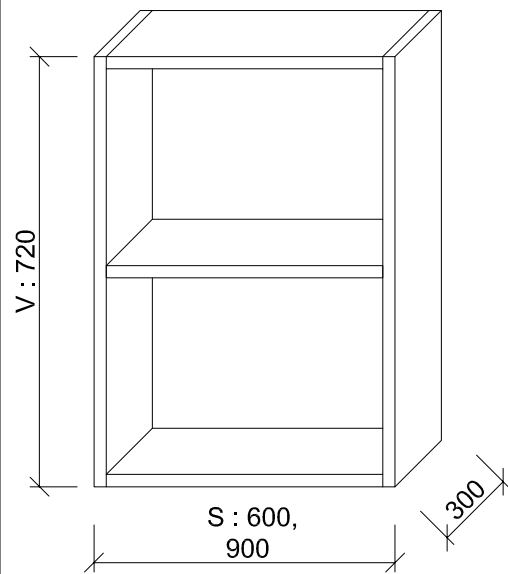


WE

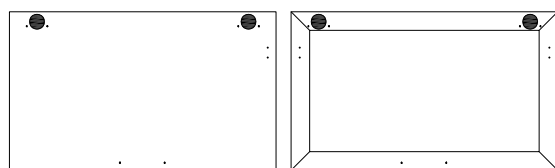


K20 HS2V600 V:720
K26 HS2V900 V:720

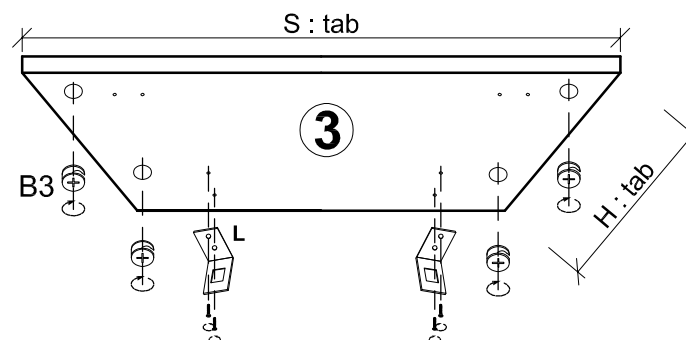
A	x12	B	x12	B1	x12	B3	x12	B4	x12
									
		8x40		8x6x13		8x6x40		15x13	
C2	x4	F	x40	G	x1	L	x2		
									
		3,5x16mm							



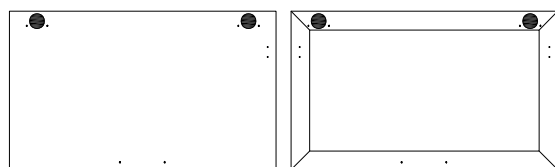
+ F5, F34, F35, F36



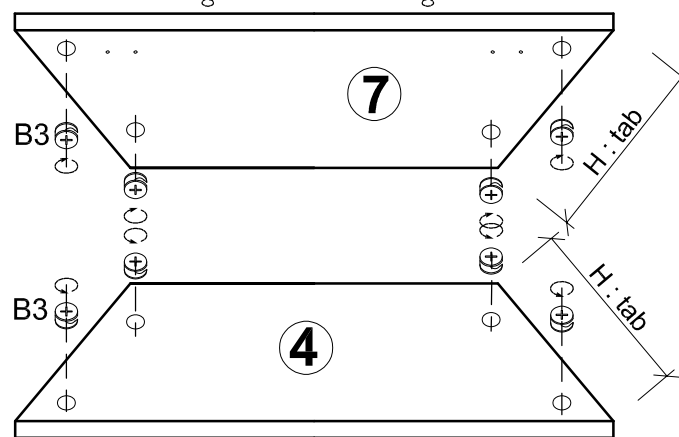
WFL
WFLG
WFLGG



+ F51, F52, F53, F54



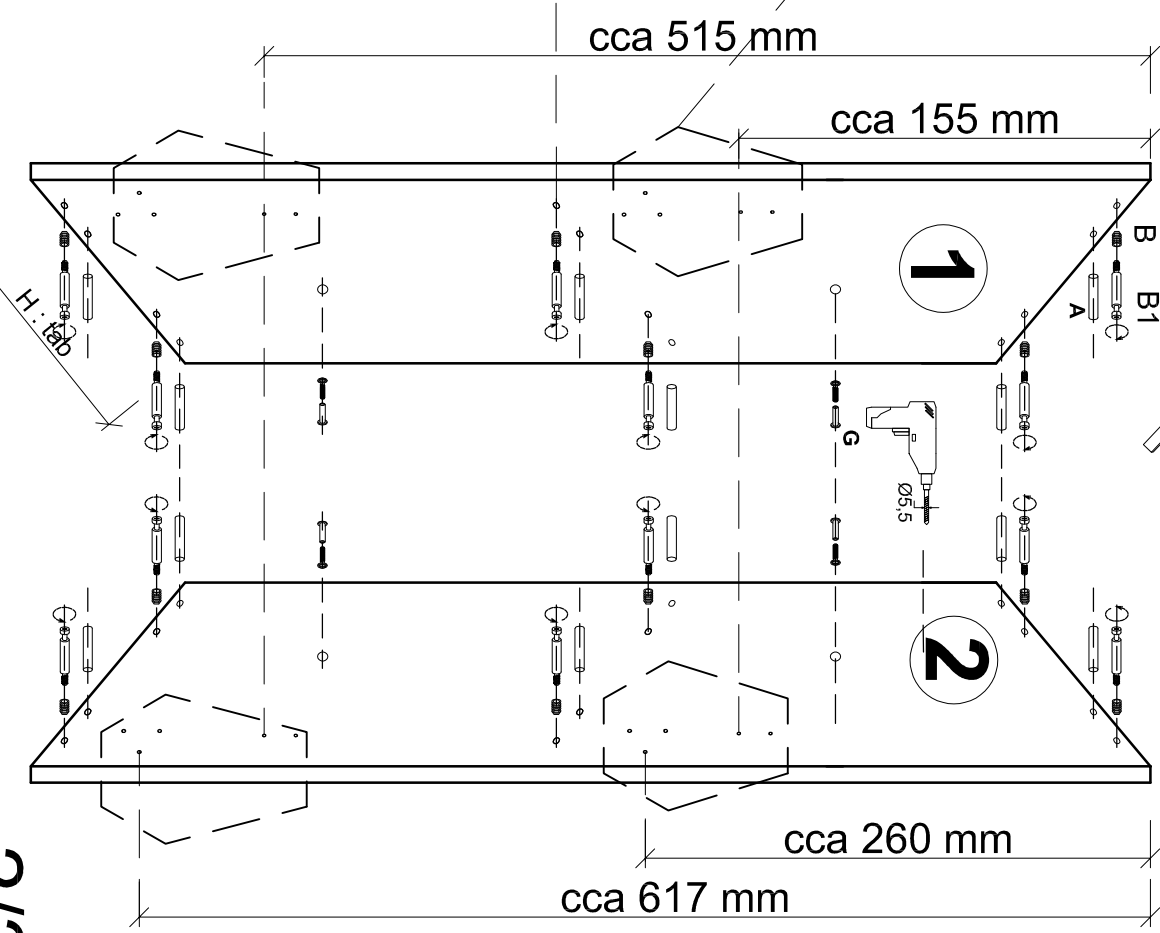
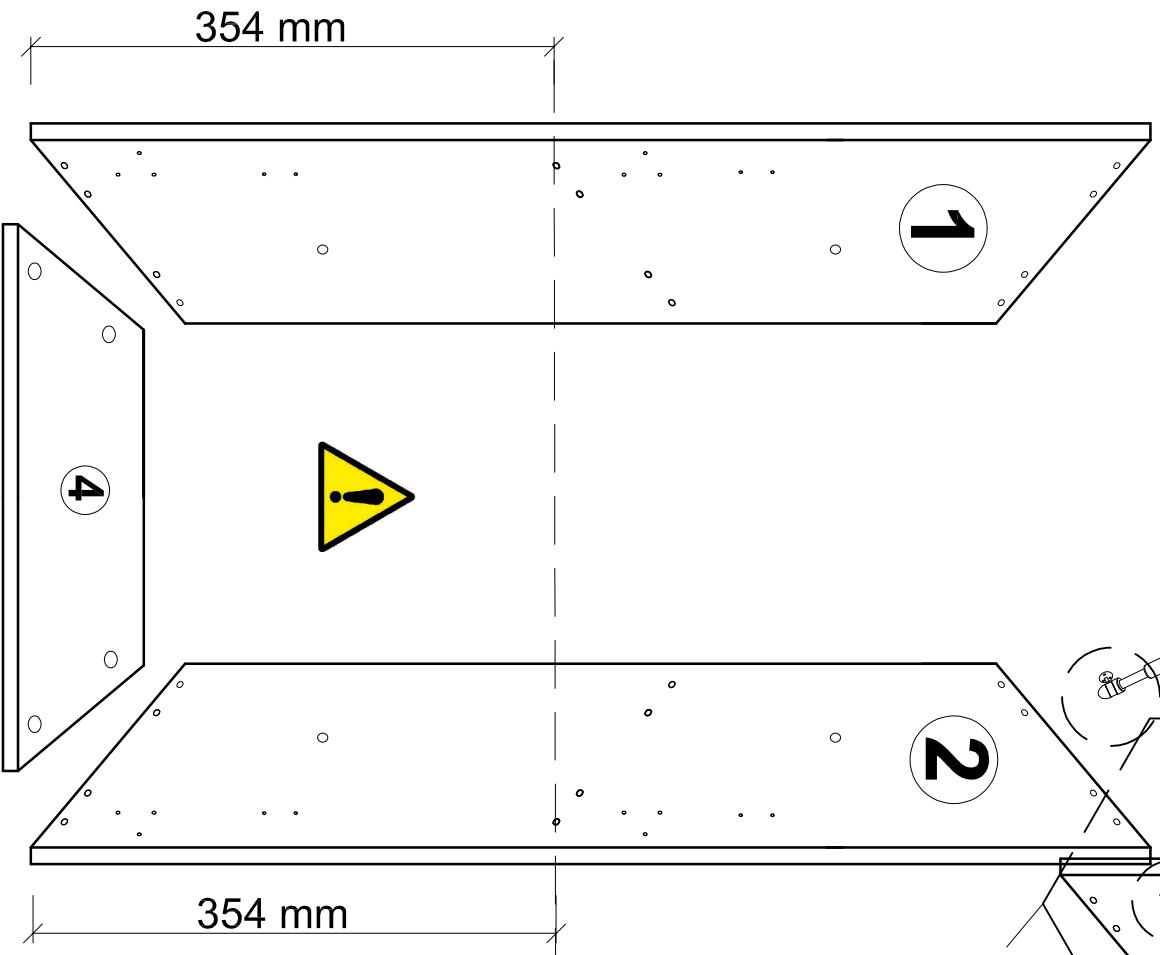
WFL-XS
WFLG-XS
WFLGG-XS



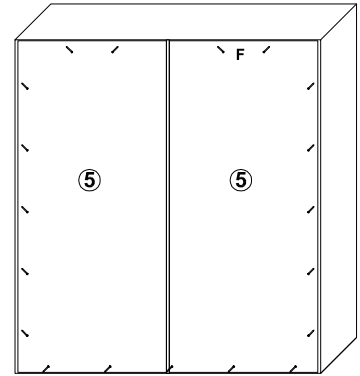
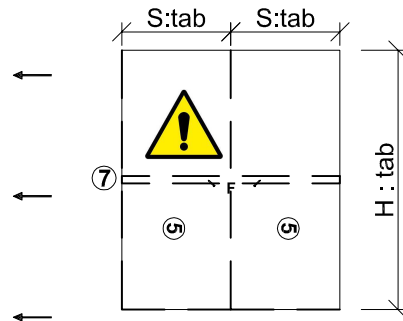
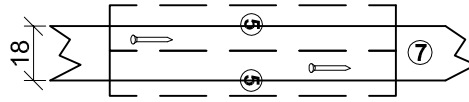
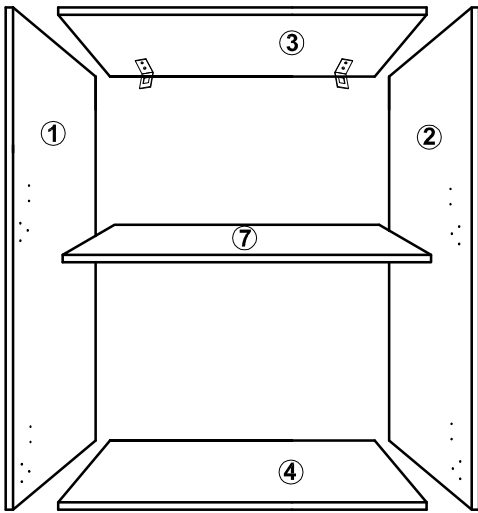
	3			4		
	S	H	PCS	S	H	PCS
K20	564	296	2x			
K26	864	296	2x			

	7		
	S	H	PCS
K20	564	295	1x
K26	864	295	1x

		1		2	
	S	H	PCS		
K20	720	300	2x	K26	720
					300
					2x

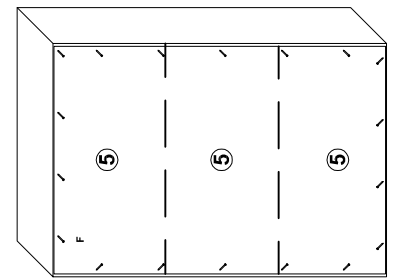
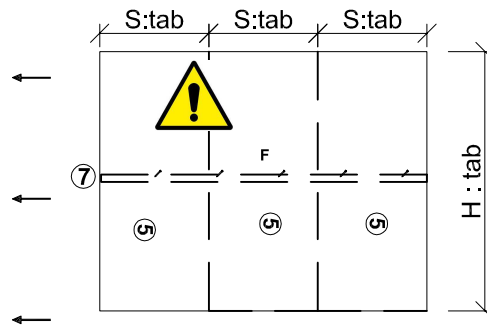
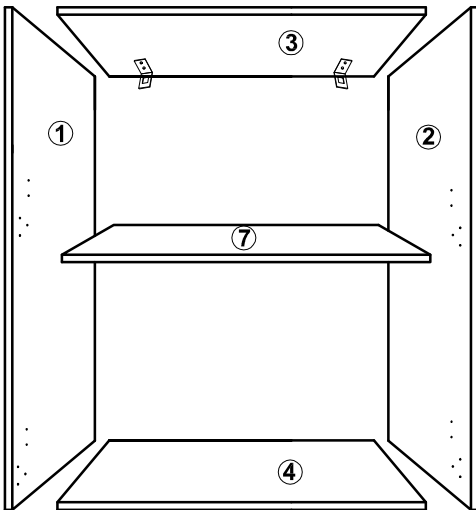


K20 HS2V600 V:720



5			
	H	S	PCS
K20	715	293	2x

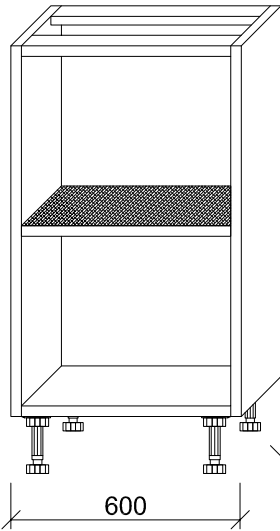
K26 HS2V900 V:720



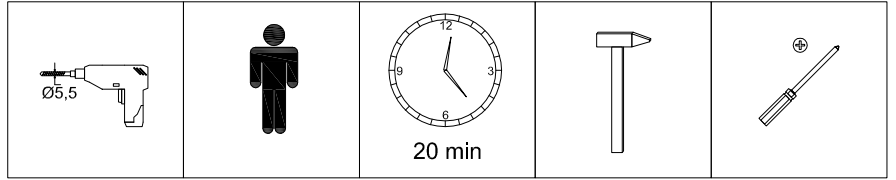
5			
	H	S	PCS
K26	715	295,5	3x

K6 DS600

720



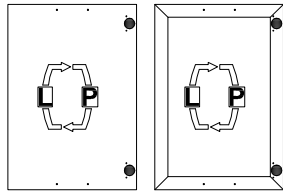
A	x12	B	x8	B1	x6	B3	x6	B4	x6
C2	x16	D5	x2	F	x35	G	x2	H	x4
I	x4	L1	x2						



+ F12 ; F28



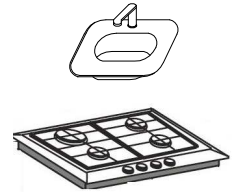
UD, UG



+ **6**
POL 600x510



K6 + LD10



+ F15

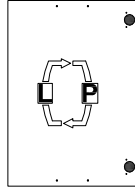
+ F16

+ F15

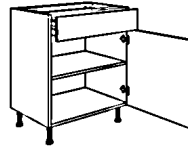
+ F42



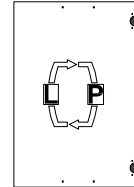
US STD



+ **6**
POL 600x510



US LUX



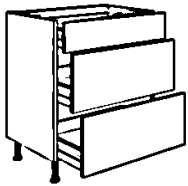
+ **6**
POL 600x510

+ F16

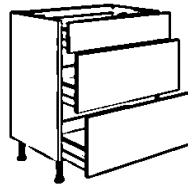
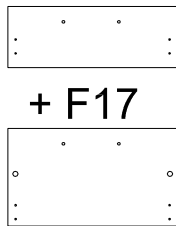
+ F17

+ F42

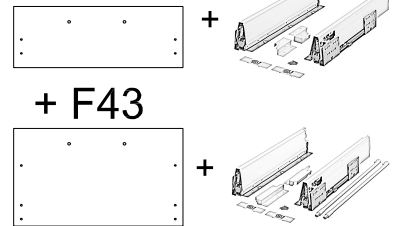
+ F43



US STD



US LUX



3

	S	H	PCS
K6	564	89	1x

1

	S	H	PCS
K6	720	510	2x

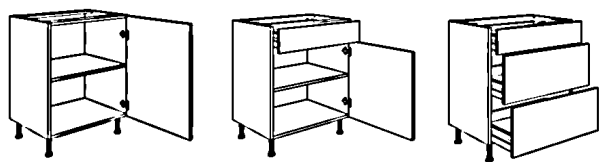
2

10

	S	H	PCS
K5	564	40	1x

4

	S	H	PCS
K6	564	506	1x

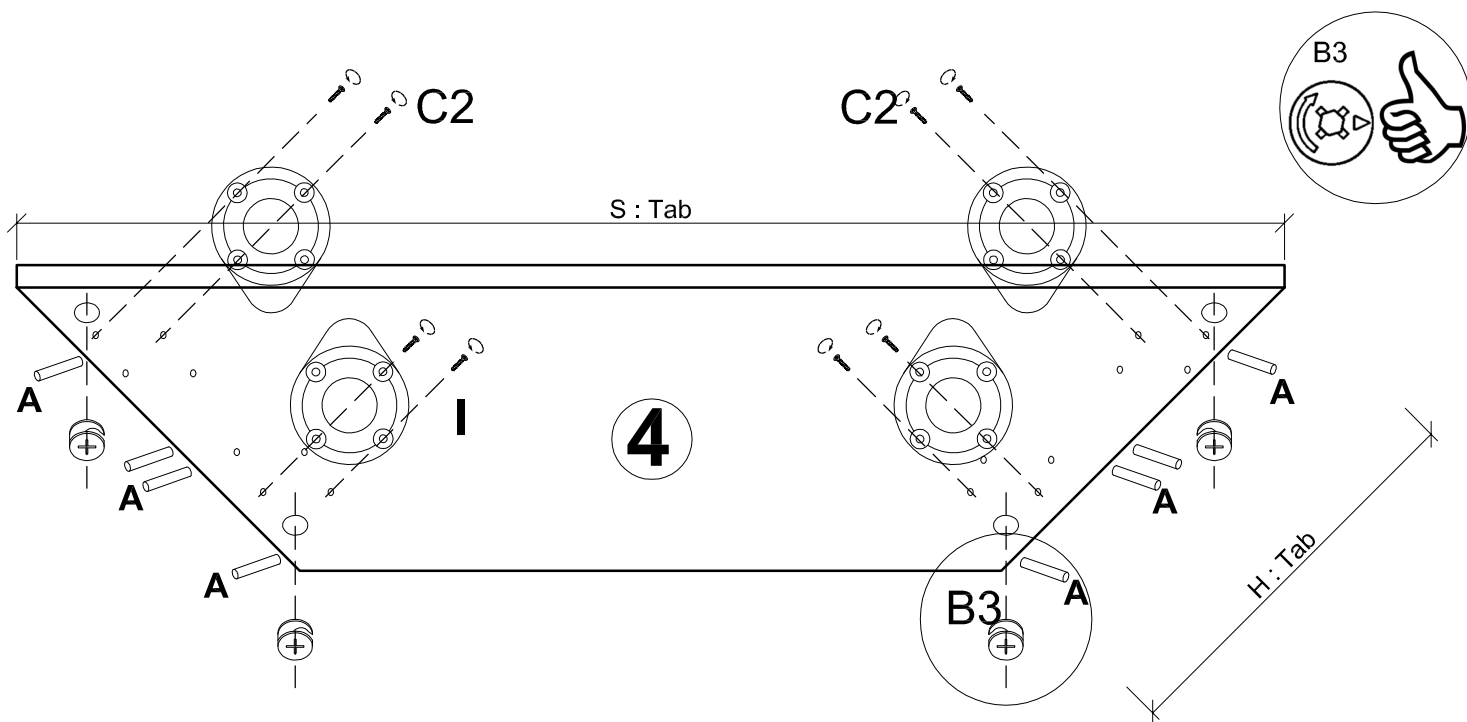
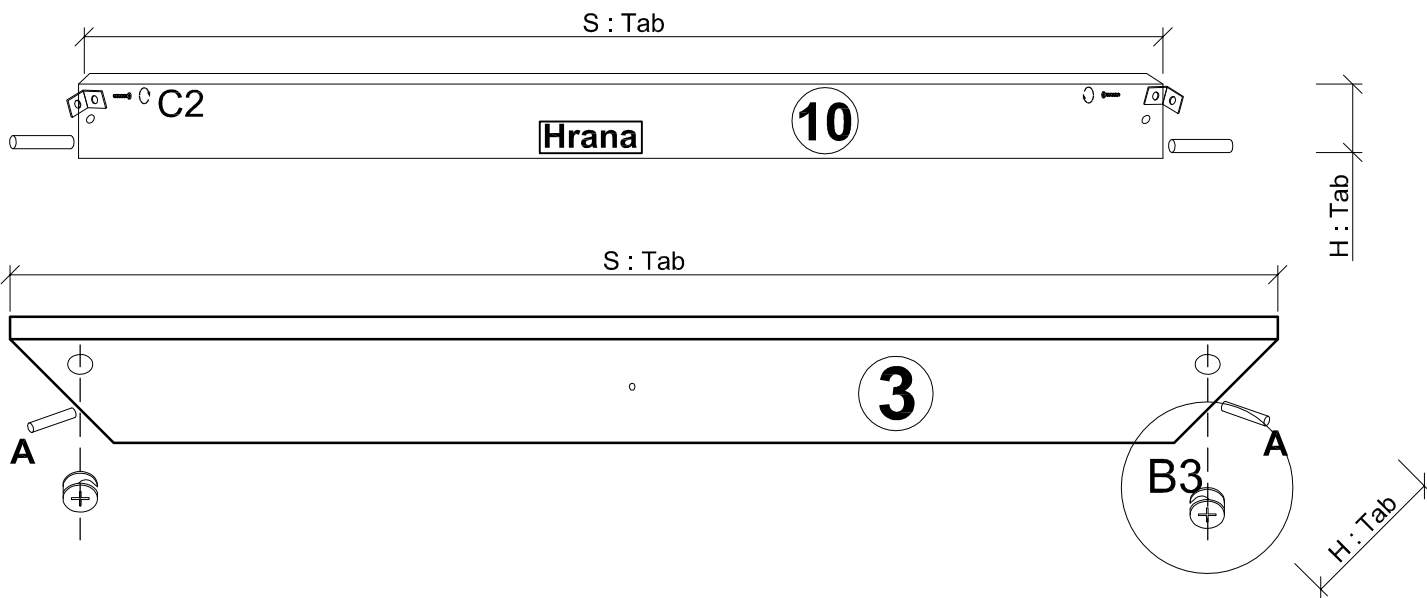
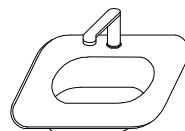


UD, UG

US LUX
US STD

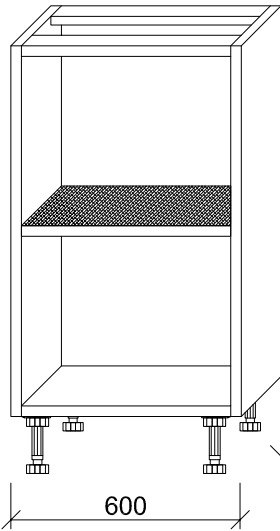
US LUX
US STD

+

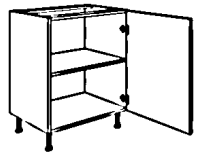
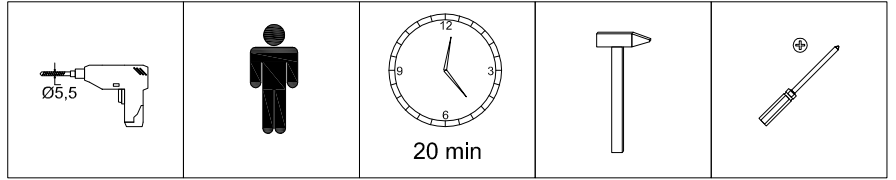


K6 DS600

720

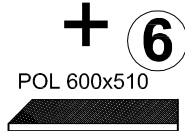
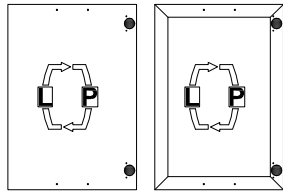


A	x12	B	x8	B1	x6	B3	x6	B4	x6
C2	x16	D5	x2	F	x35	G	x2	H	x4
I	x4	L1	x2						

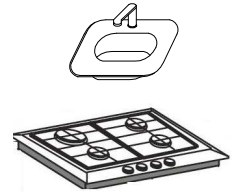


UD, UG

+ F12 ; F28

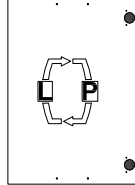


K6 + LD10

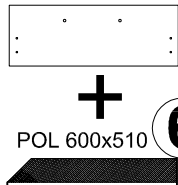


US STD

+ F15

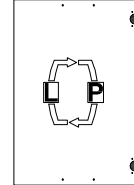


+ F16

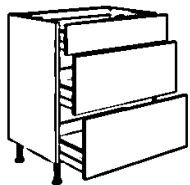
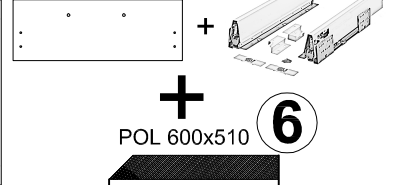


US LUX

+ F15

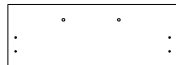


+ F42

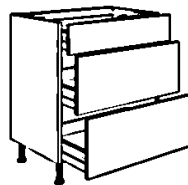
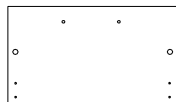


US STD

+ F16

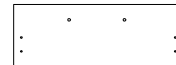


+ F17

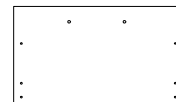


US LUX

+ F42



+ F43



3

	S	H	PCS
K6	564	89	1x

1

	S	H	PCS
K6	720	510	2x

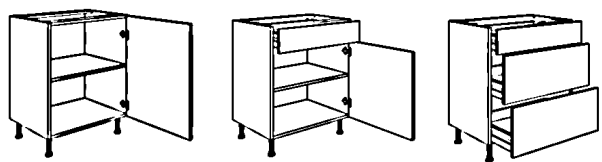
2

10

	S	H	PCS
K5	564	40	1x

4

	S	H	PCS
K6	564	506	1x

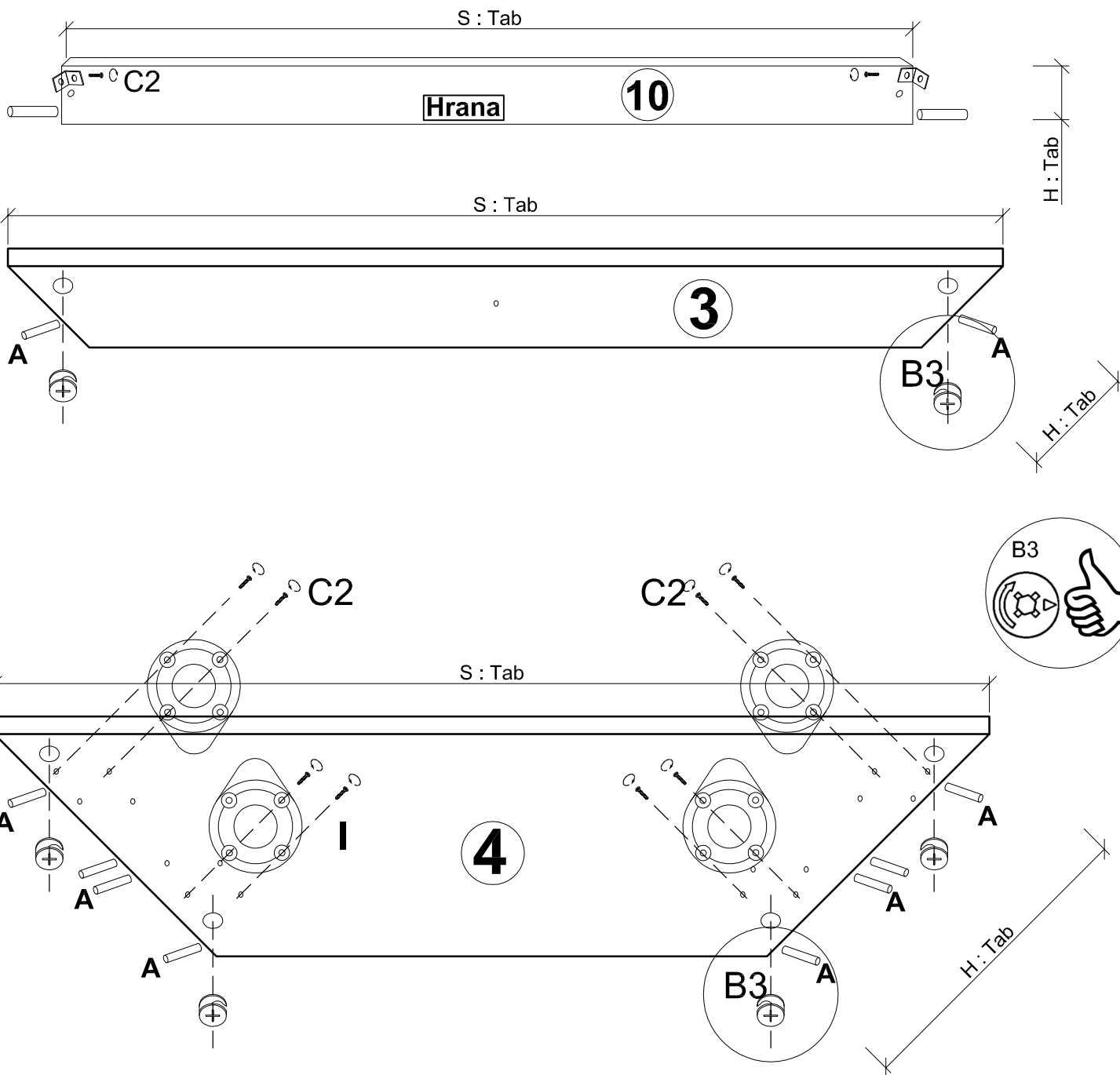
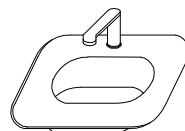


UD, UG

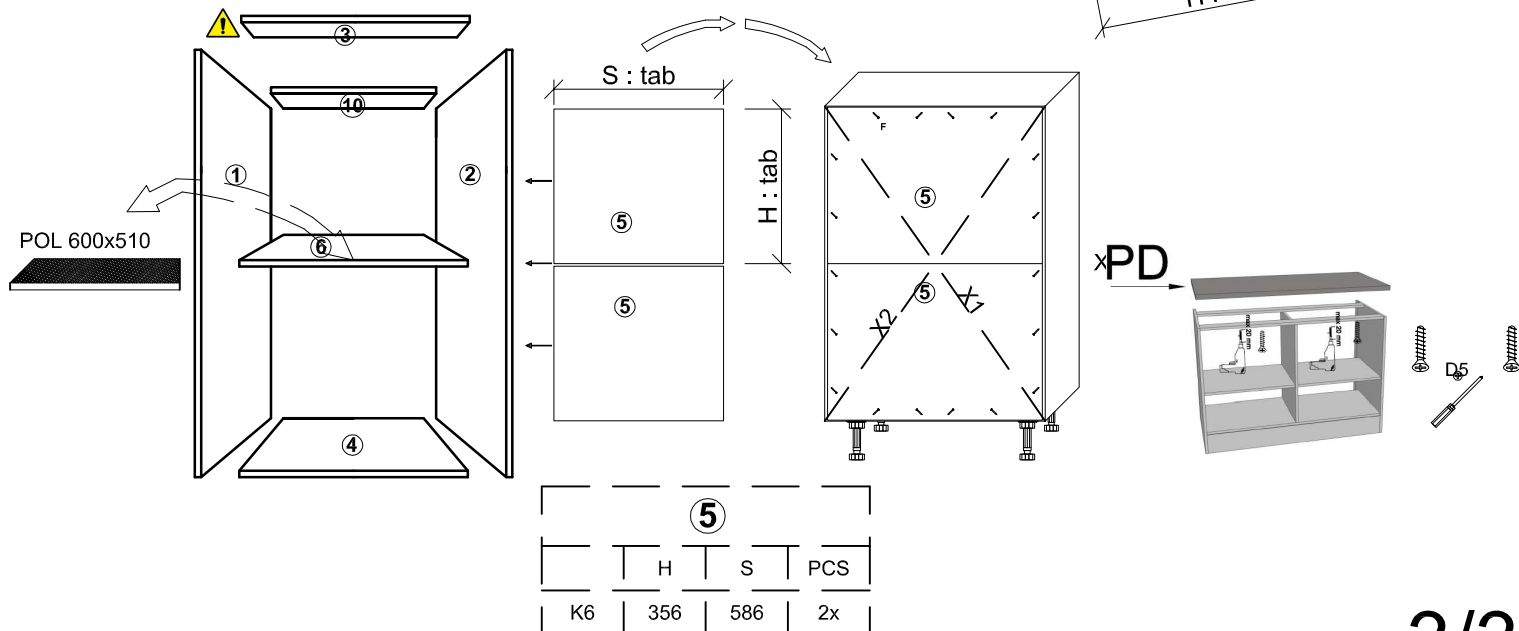
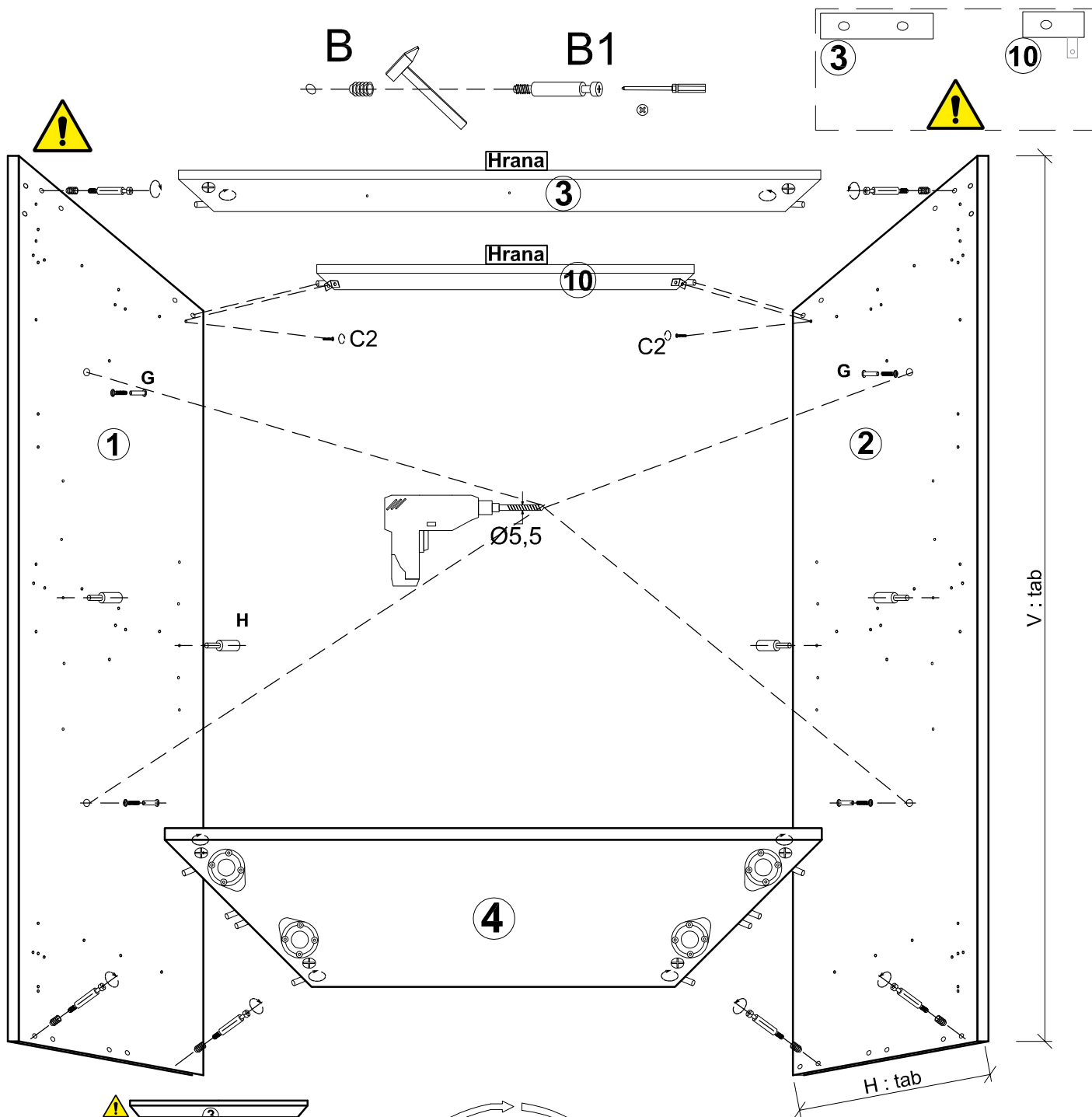
US LUX
US STD

US LUX
US STD

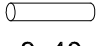
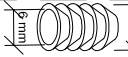
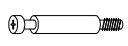
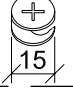
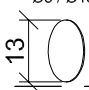
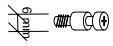
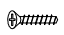
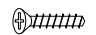

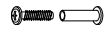
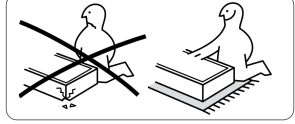
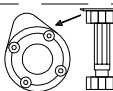
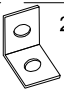
+

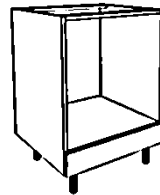
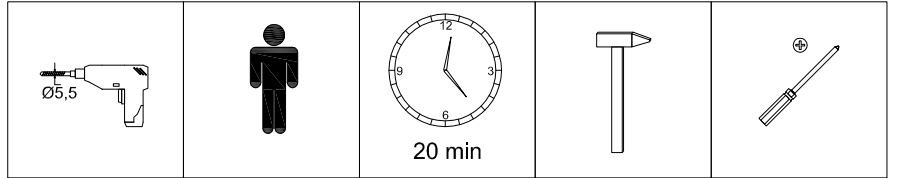
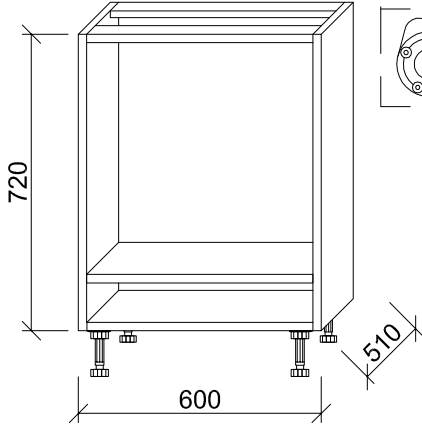


LD 10 : hrana vpredu, uholnik zo spodu !!!

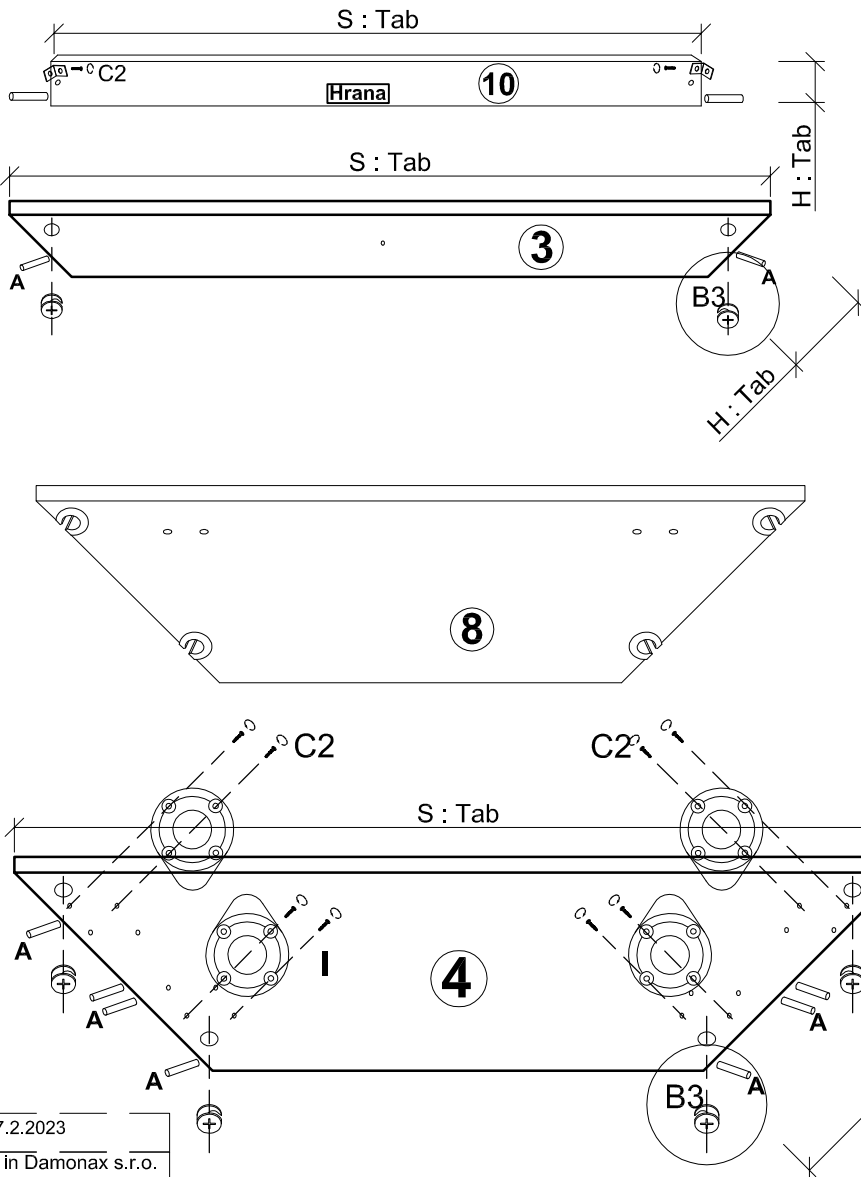


K8 DS-R

A	x12	B	x8	B1	x6	B3	x6	B4	x6
									
B8	x4	C2	x20	D5	x2	F	x20	G	x2
									
I	x4	L1	x2						
									



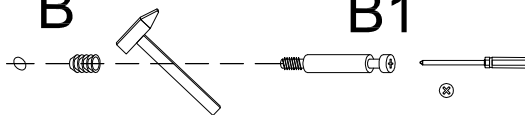
+ F18



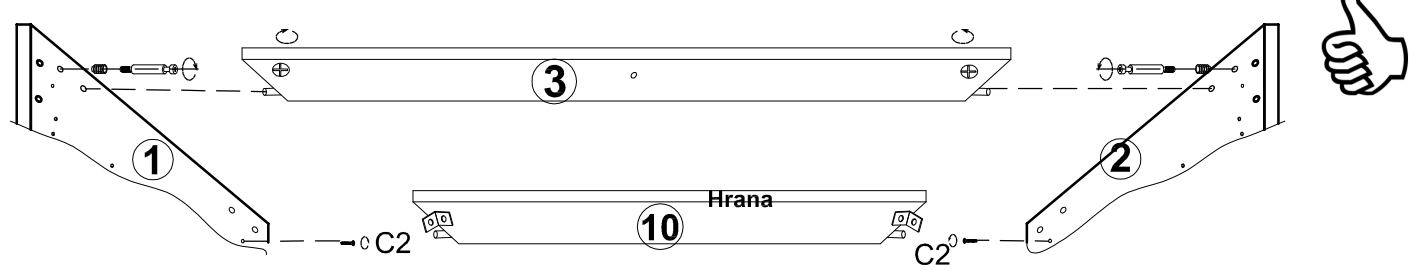
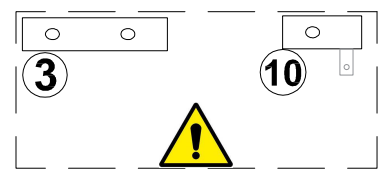
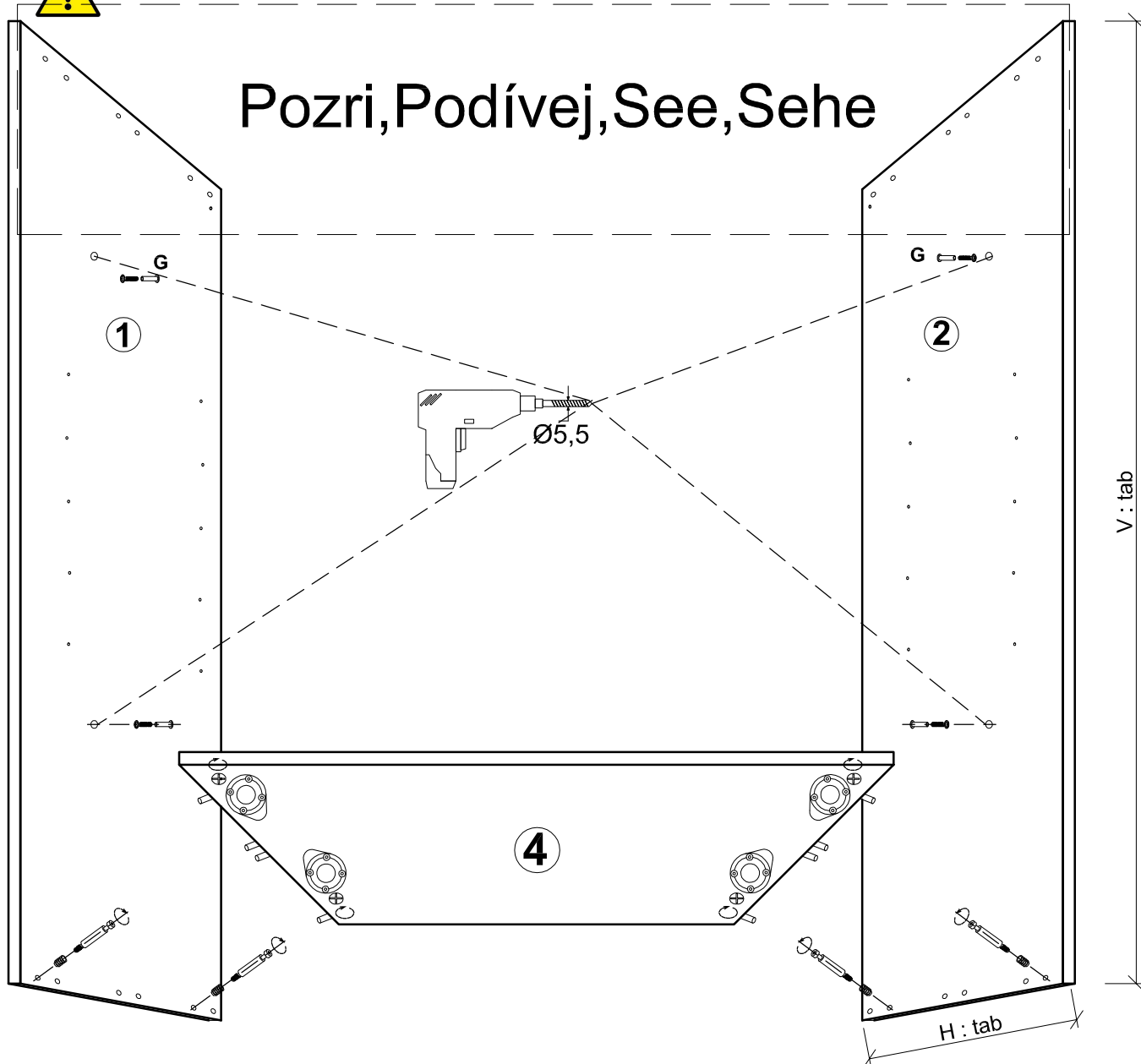
	1	2	
	S	H	PCS
K8	720	510	2x
	3		
	S	H	PCS
K8	564	98	1x
	8		
	S	H	PCS
K8	564	505	1x
	4		
	S	H	PCS
K8	564	506	1x
	5		
	H	S	PCS
K8	117	586	1x
	10		
	H	S	PCS
K8	564	40	1x

B

B1



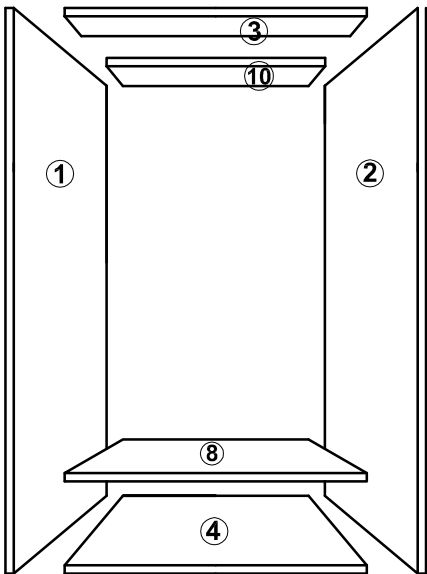
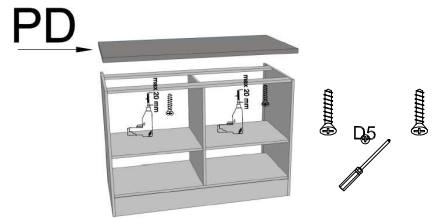
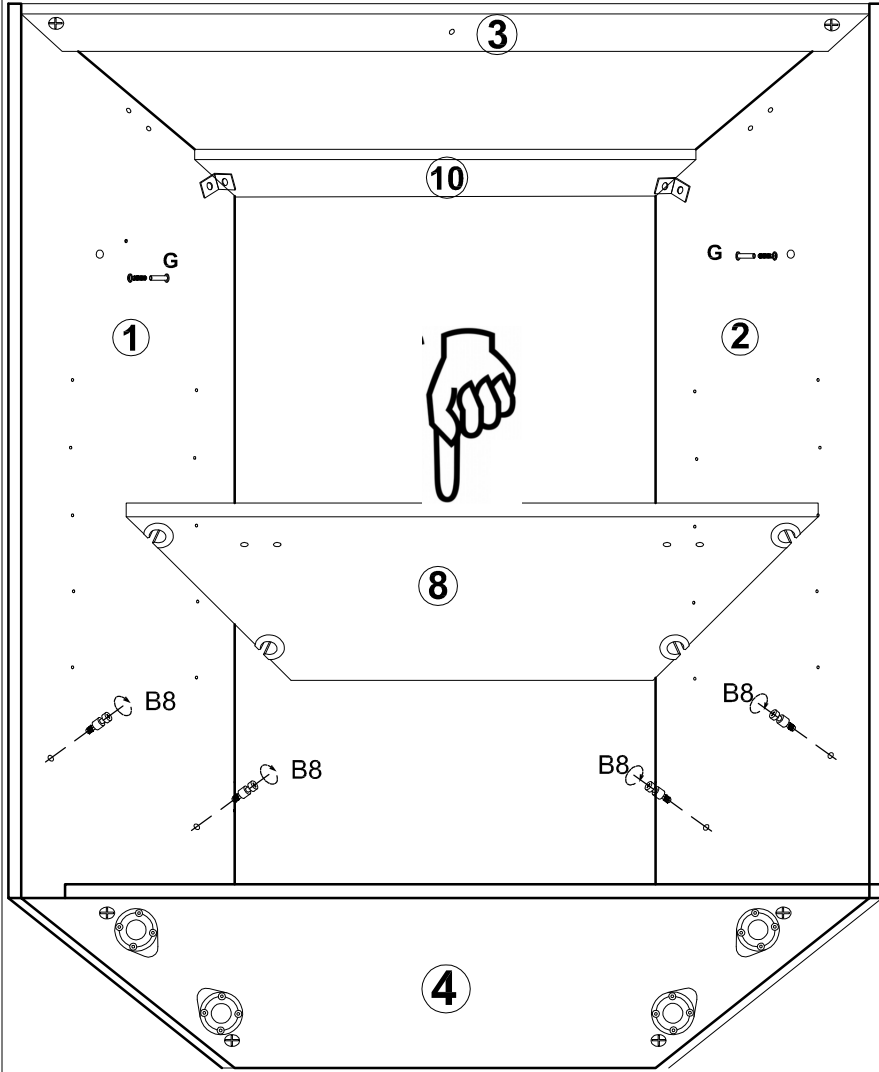
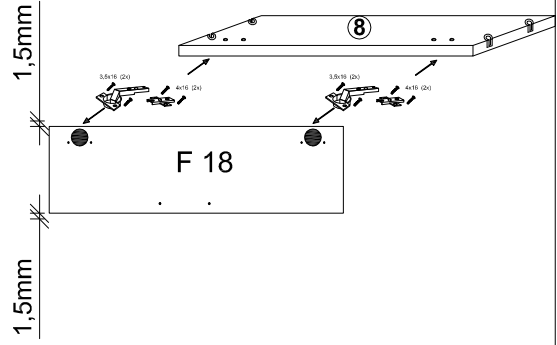
Pozri, Podívej, See, Sehe



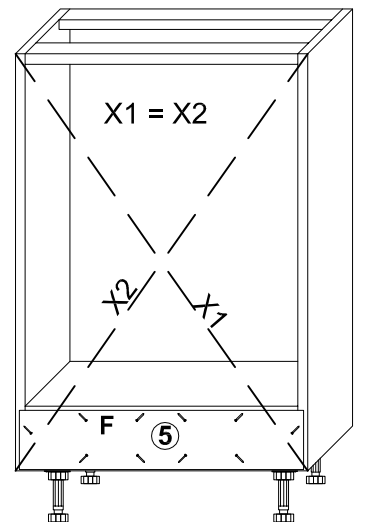
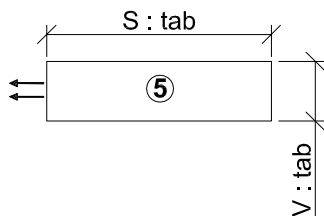
1 + 2 + 3 + 10 !!!



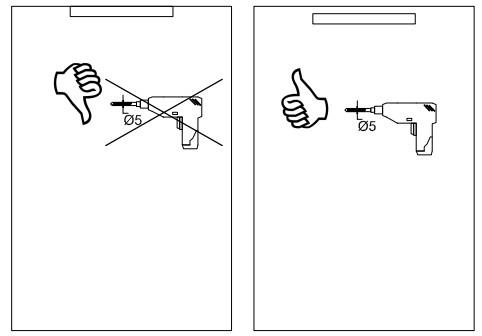
1.



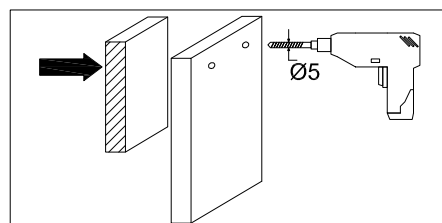
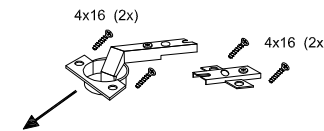
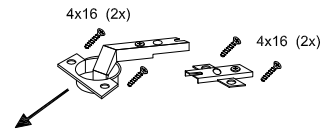
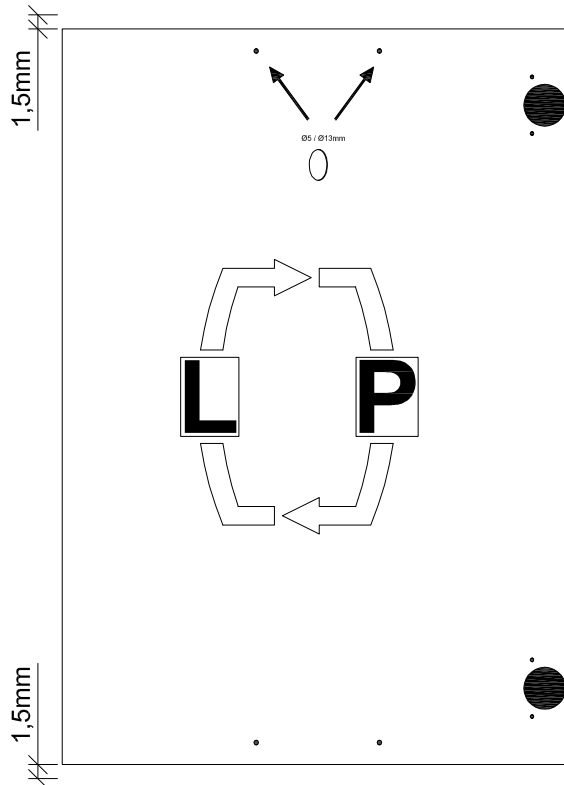
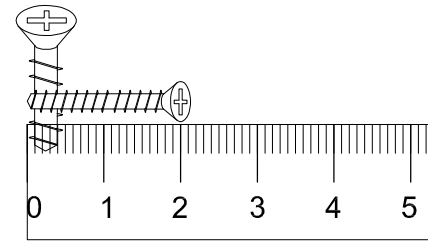
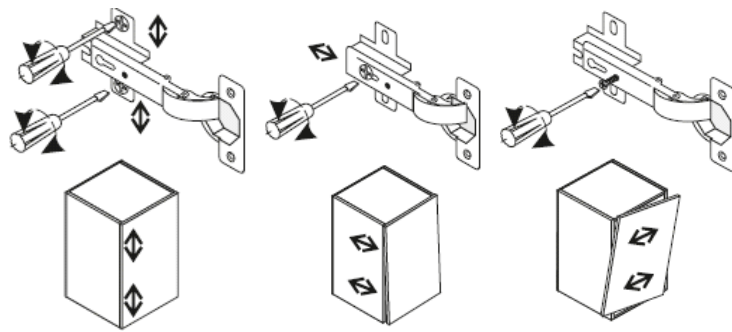
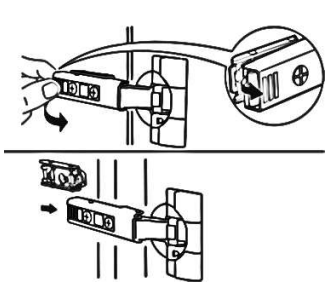
5			
	H	S	PCS
K8	117	586	1x



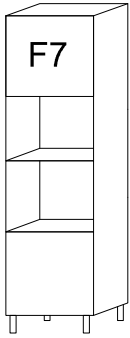
- F 7 : 410 x 600
- F 8 : 470 x 600
- F 10 : 720 x 300
- F 11 : 720 x 450
- F 12 : 720 x 600
- F 13 : 570 x 450
- F 15 : 570 x 600
- F 21 : 1000 x 300
- F 37 : 680 x 600



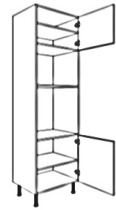
D	x8	J1	x4	M8	x2
4x16mm					



K2 VS600

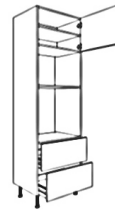


+ F 7 : 407 x 597 =



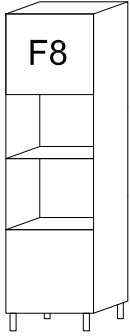
GMDK45

or



GM45 2ALUX
GM45 2ASTD

K2 VS600



+ F 8 : 477 x 597 =



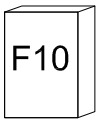
GMDK38

or



GM38 2ALUX
GM38 2ASTD

K10 HS300
V:720



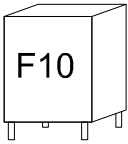
=



WD

+ F 10 : 717 x 297

K4 DS300

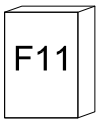


=

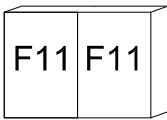


UD

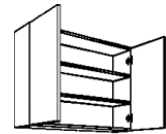
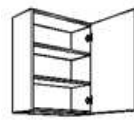
K11 HS450
V:720



K13 HS900
V:720



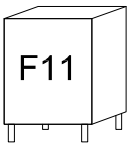
=



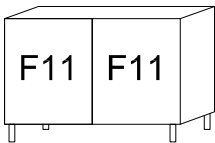
WD

+ F 11 : 717 x 447

K5 DS450



K7 DS900

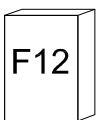


=

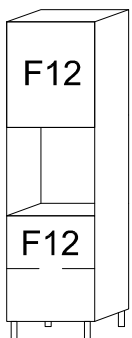


UD

K12 HS600
V:720



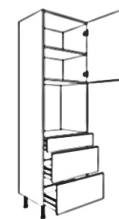
K2 VS600



=



WD



+ F 12 : 717 x 597

K6 DS600



=

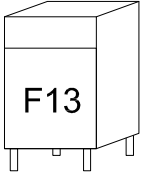


UD

GOS2ASTD
GOS2ALUX

GO

K5 DS450

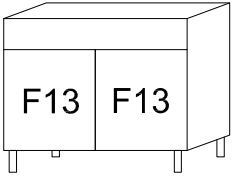


=



US STD
US LUX

K7 DS900



=

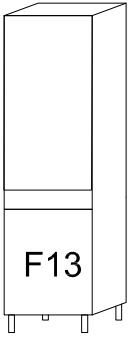


US LUX

SPU

+ F 13 : 567 x 447

K1 VS450

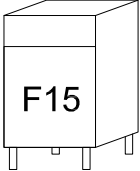


=



HDV SSTD
HDV SLUX

K6 DS600

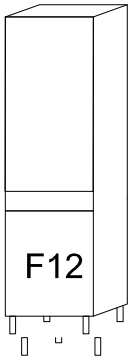


=



US STD
US LUX

K2 VS600



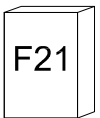
=



HDV SSTD
HDV SLUX

+ F 15 : 567 x 597

K16 HS300
V:1000



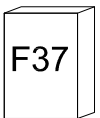
+ F 21 : 997 x 297

=



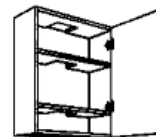
WD

K27 HS600
V:680



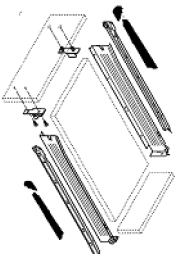
+ F 37 : 677 x 597

=

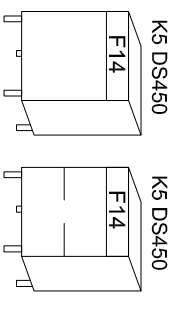
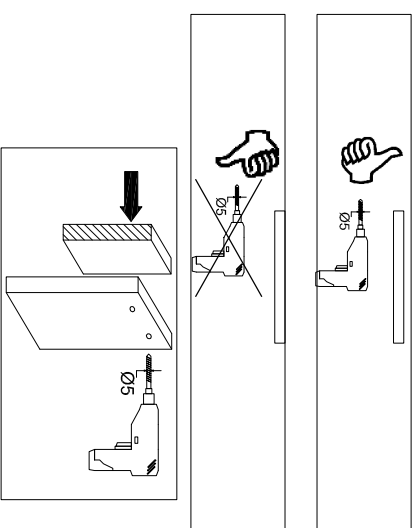
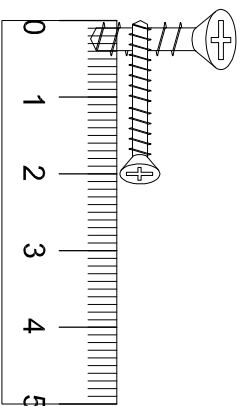


WDAF

F 14 : 450x150
F 16 : 600x150

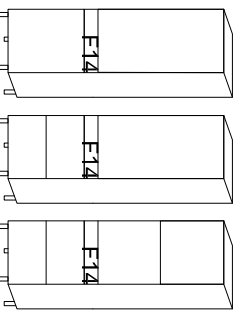
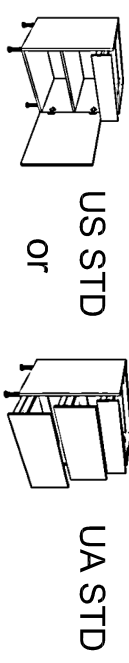


C2	x28	E	x5	J1	x4	Z1 (MTX 1z)	X1
3,5x16mm		3x25mm					
C4	x4						
3,5x20mm							



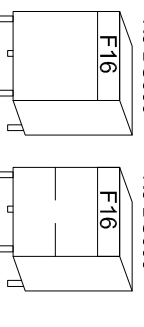
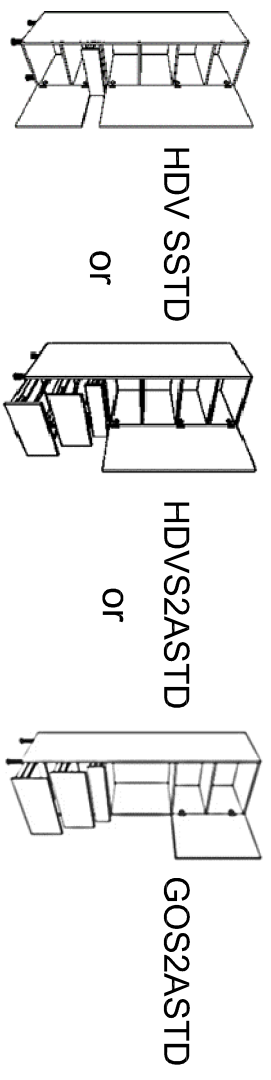
K5 DS450 K1 VS450

= + F 14 : 447 X 144



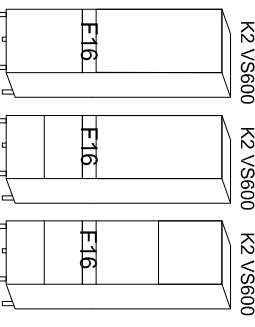
K1 VS450 K6 DS600

= + F 14 : 447 X 144

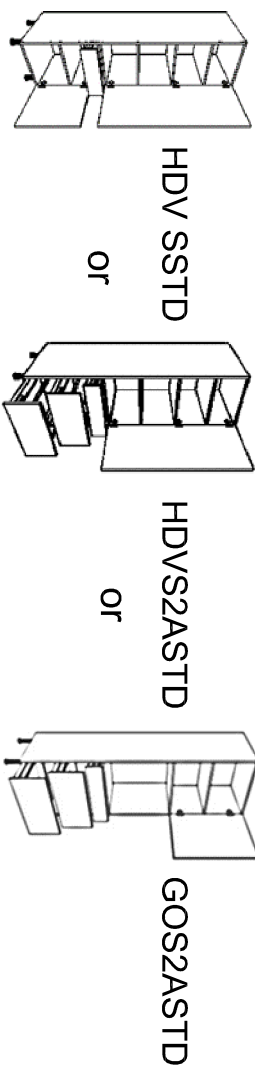


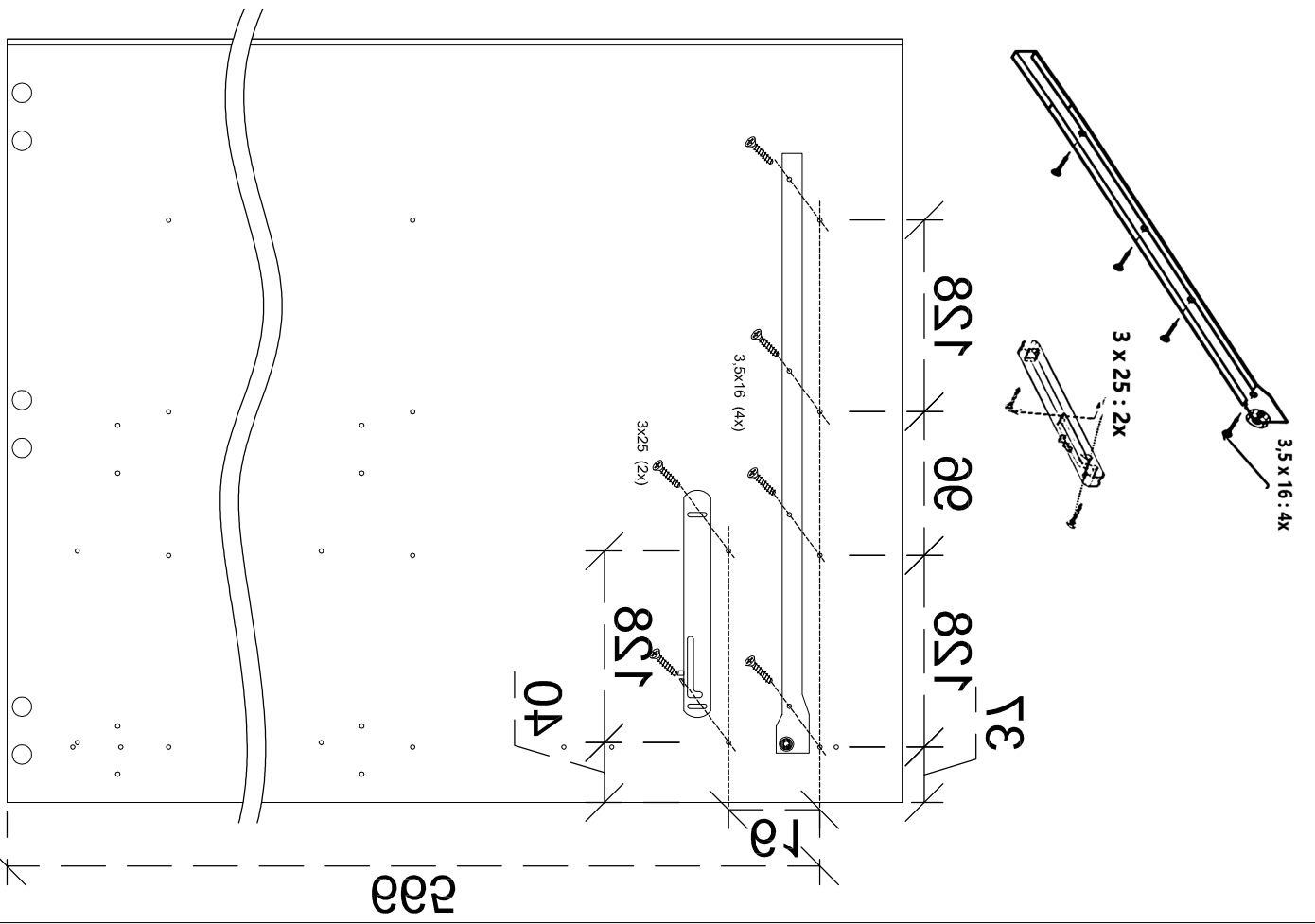
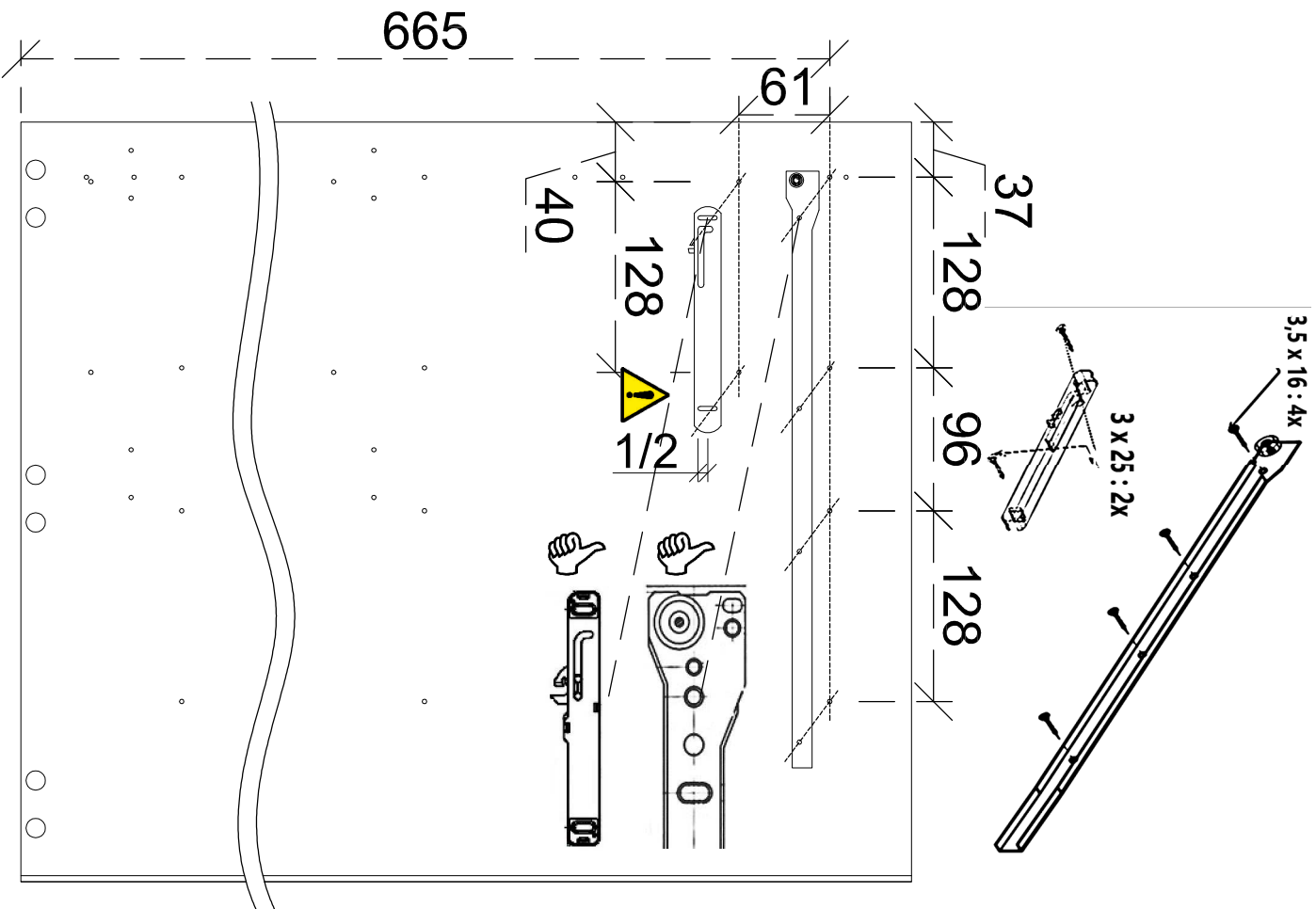
K6 DS600 K2 VS600

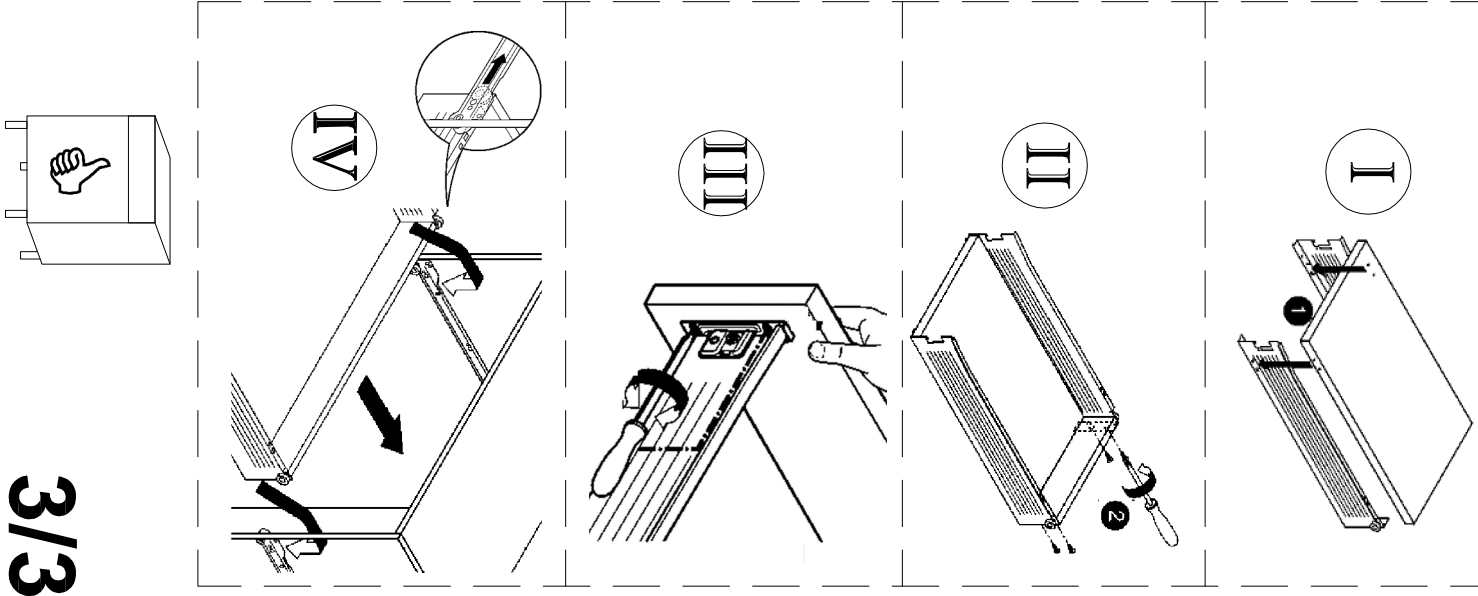
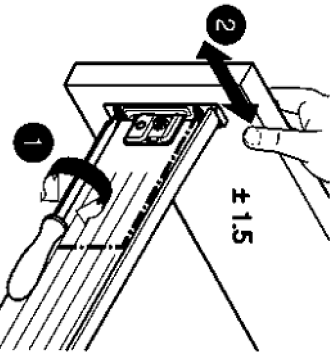
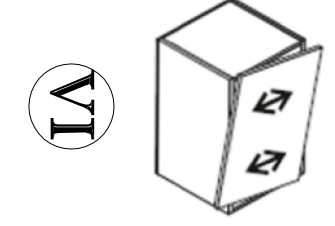
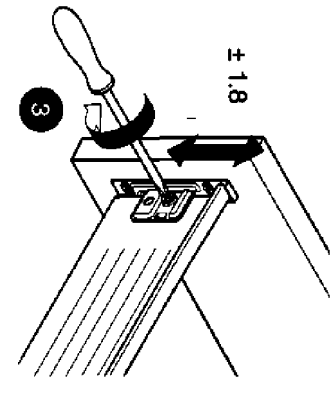
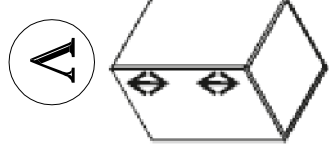
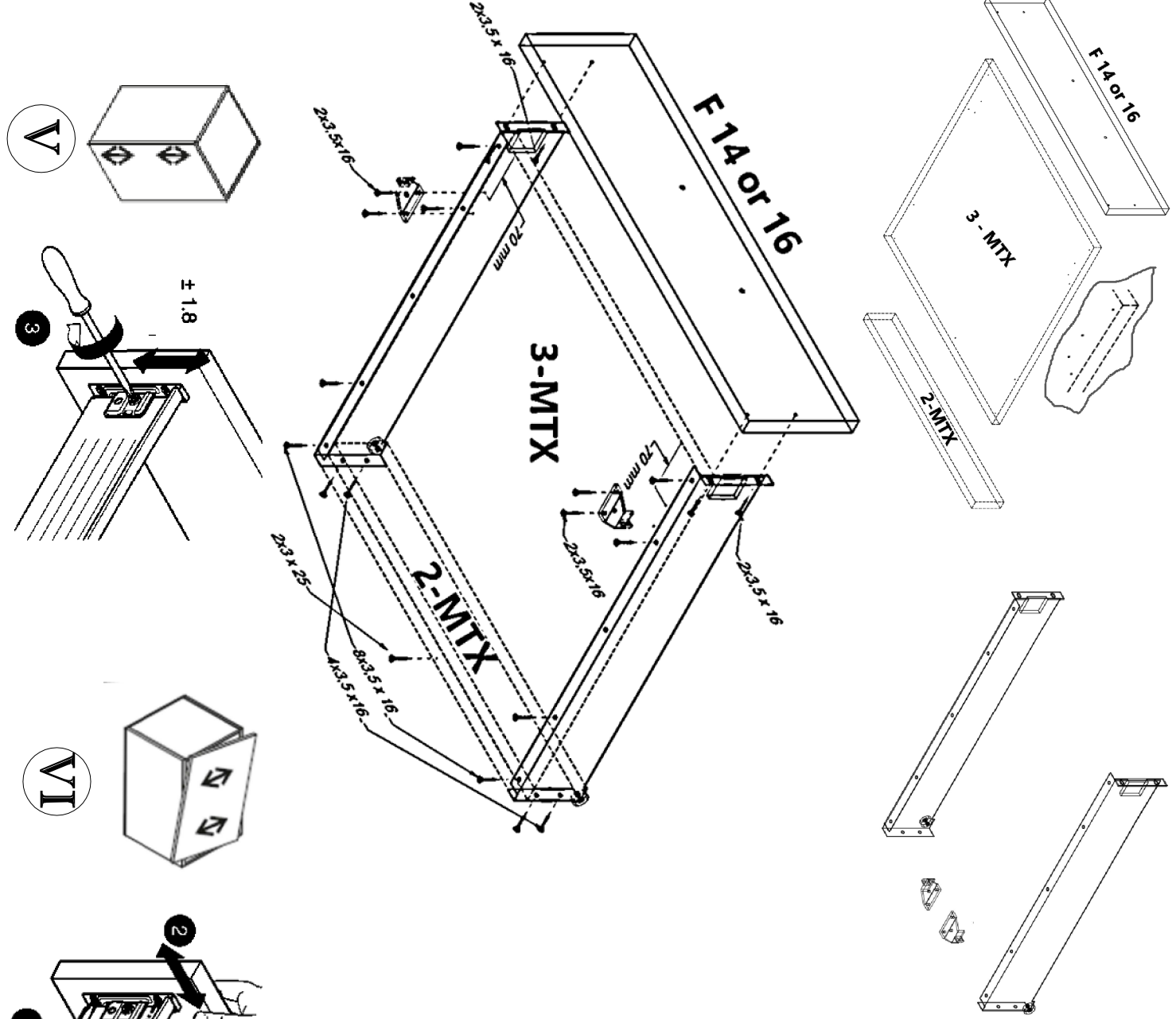
= + F 16 : 597 X 144




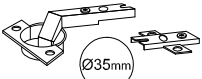
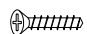
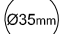
K2 VS600 K6 DS600

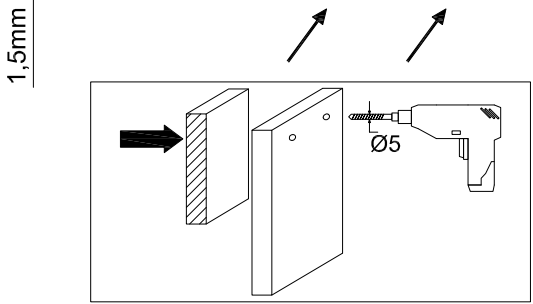
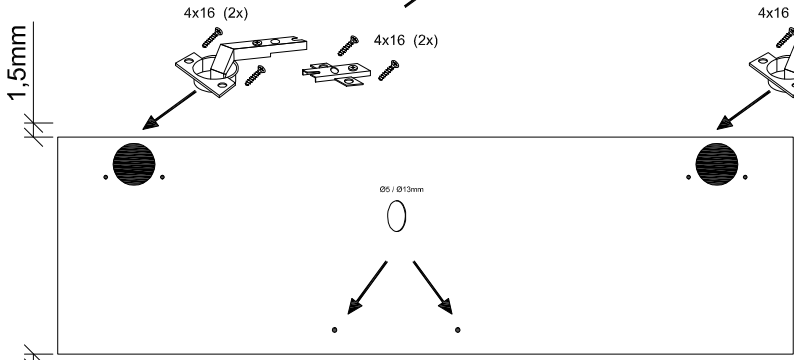
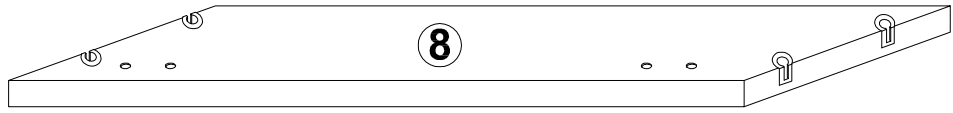
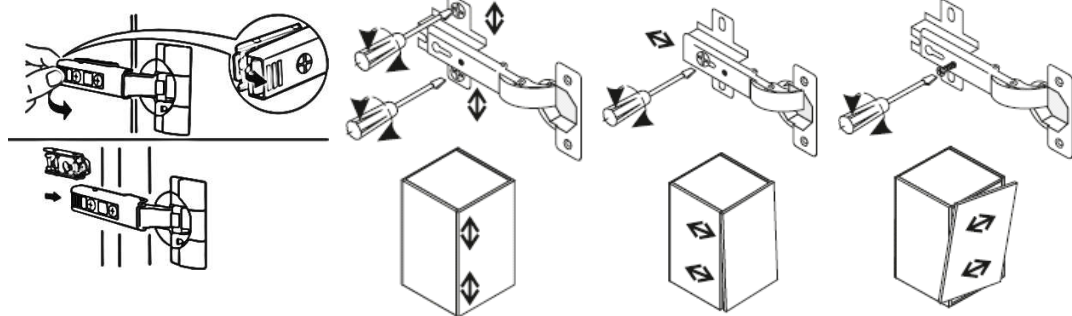
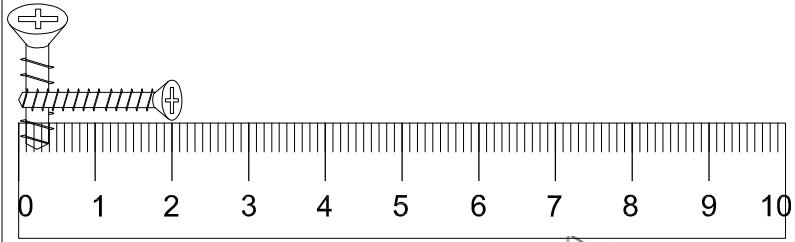
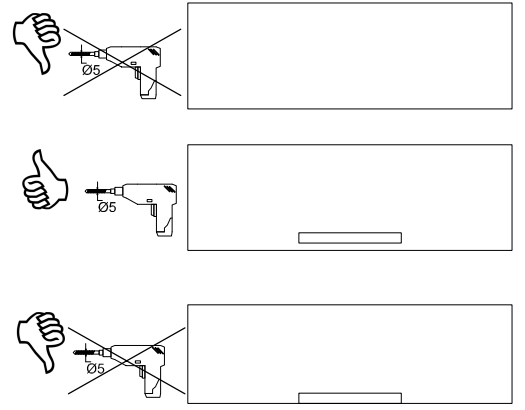




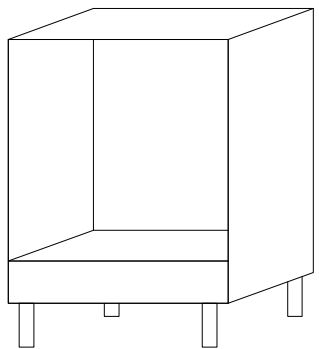


F 18 : 600 x 120

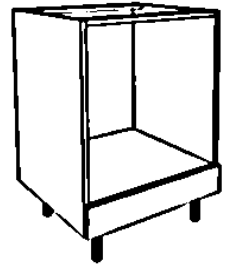
D	x8	J1	x4	M8	x2
4x16mm					
					



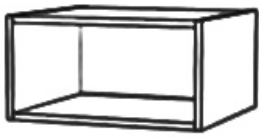
K8 DS-R



+ F 18 : 597 x 117 =

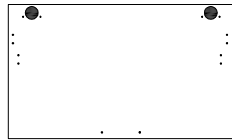


HUK



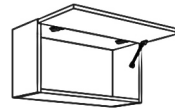
K 14 , 25

+



F 5 ; F 34

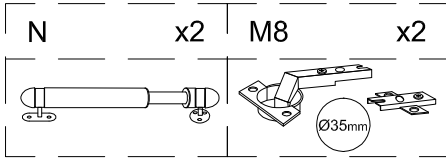
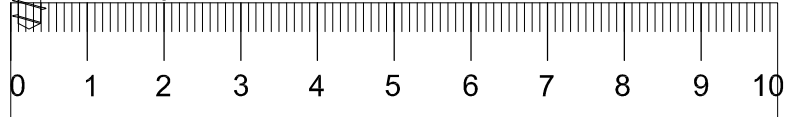
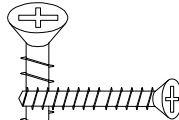
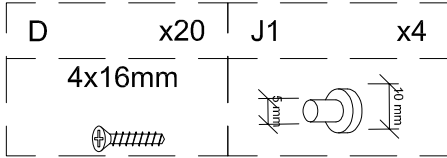
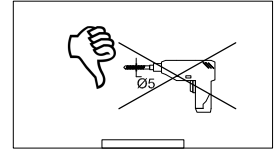
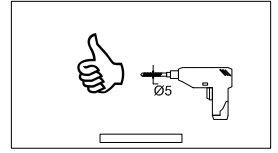
=



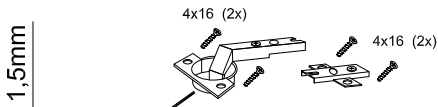
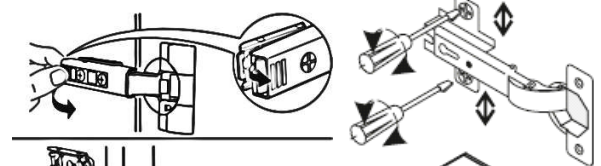
WK

F5 or F51 : 360x600

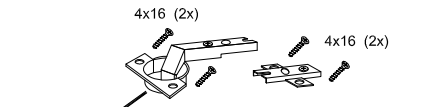
F34 or F52 : 360x900



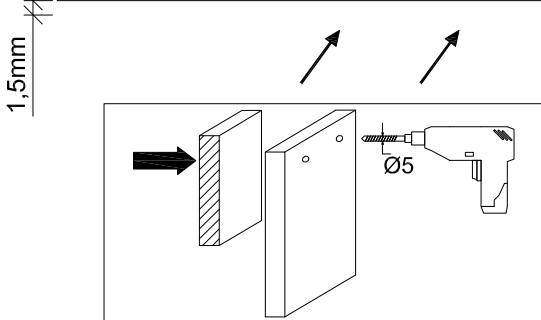
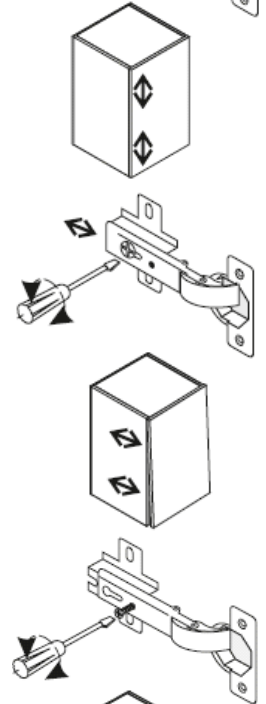
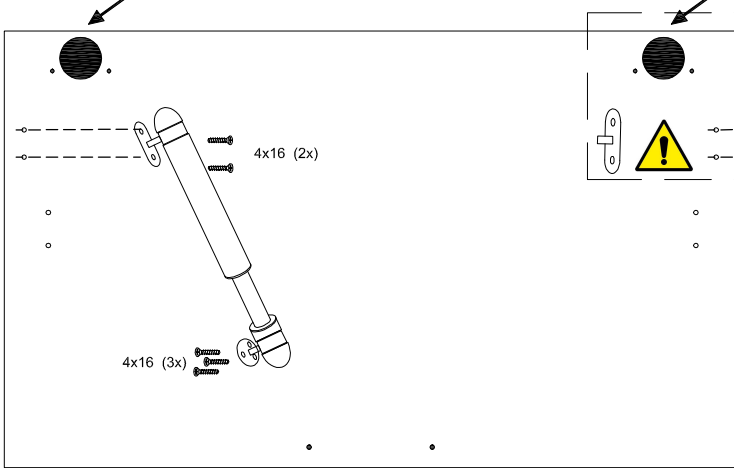
K 14 , 25



1,5mm



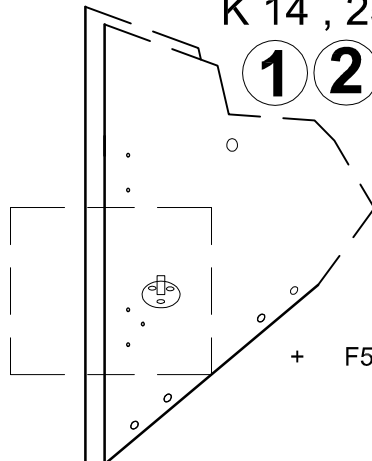
76 mm



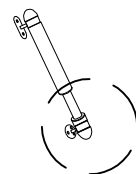
1,5mm

K 14 , 25

1 2



+ F 5 , F 34

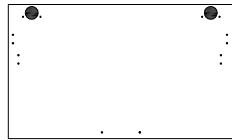


1 / 2



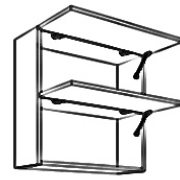
K 20, 26

+



F 5 ; F 34 (2x)

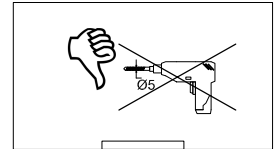
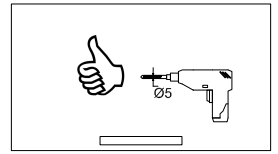
=



WFL

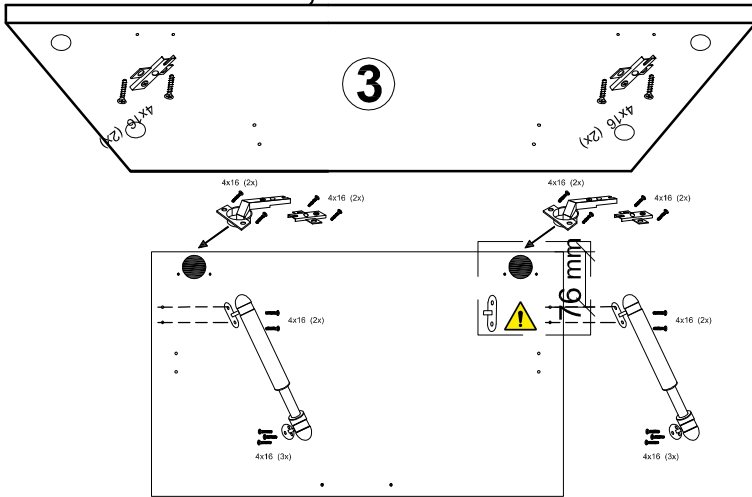
F5 or F51 : 360x600

F34 or F52 : 360x900



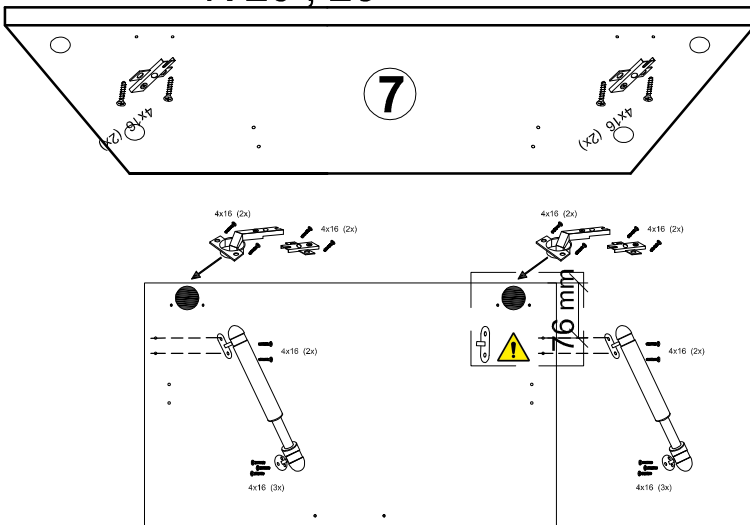
K 20 , 26

3

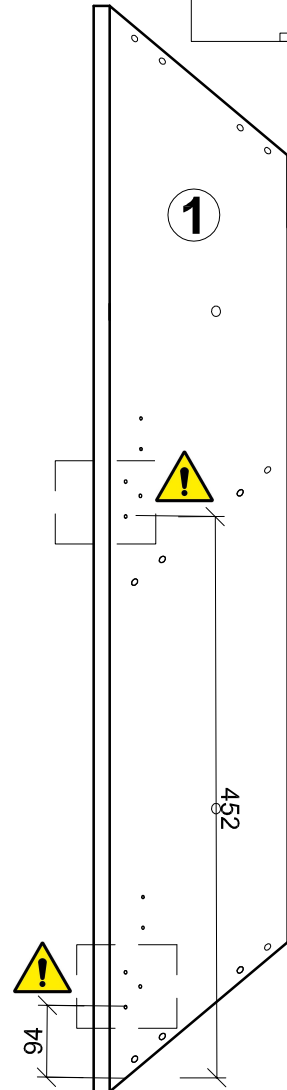


K 20 , 26

7

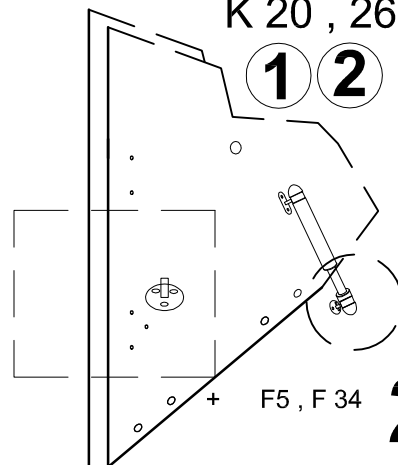


1



K 20 , 26

1 2



+ F5 , F 34

2 / 2