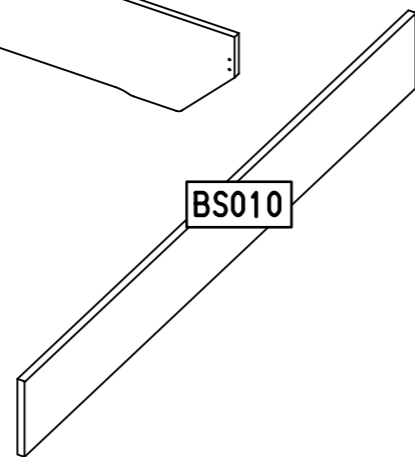
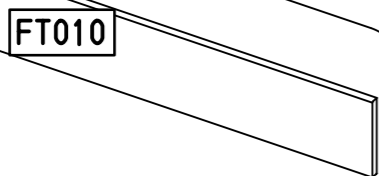
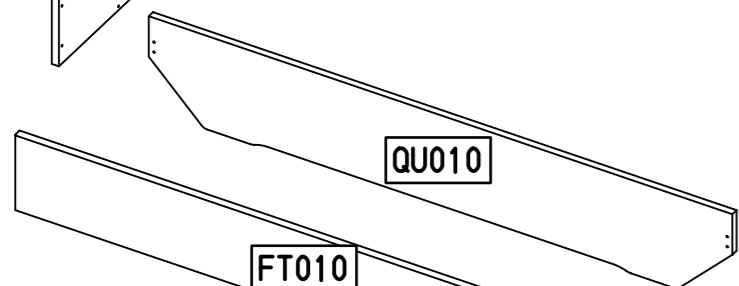
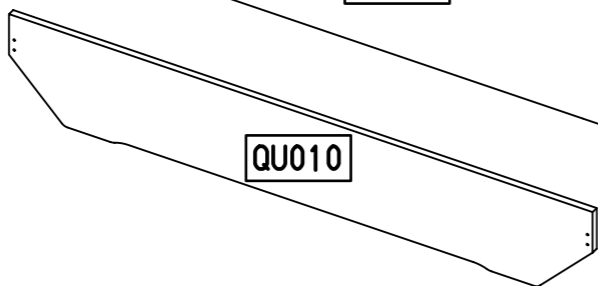
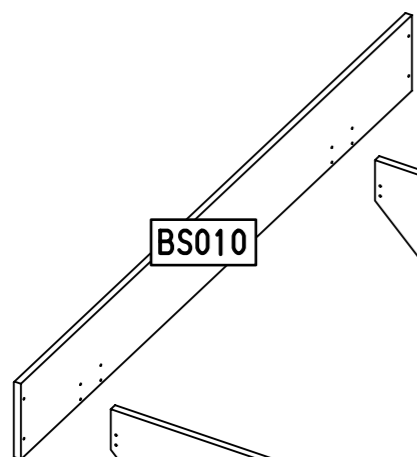
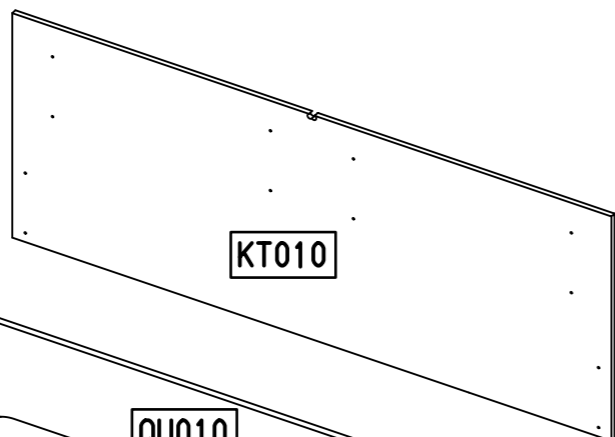
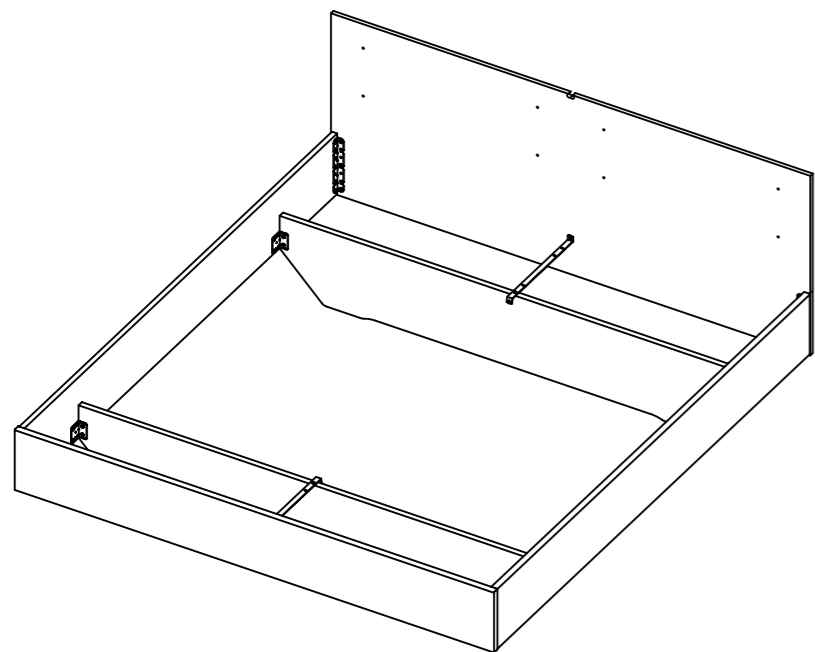
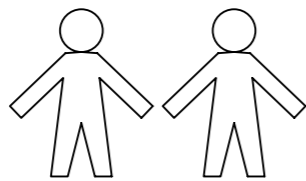
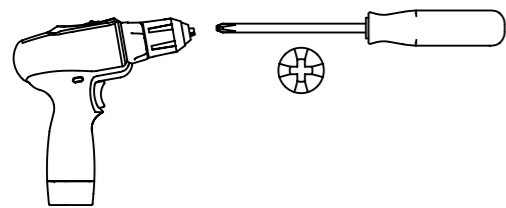


1.

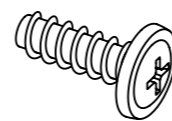
M1892_03

rauch



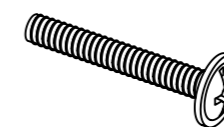
2.

30x (25)



6,3x18

8x (56)



M4x32

8x (176)



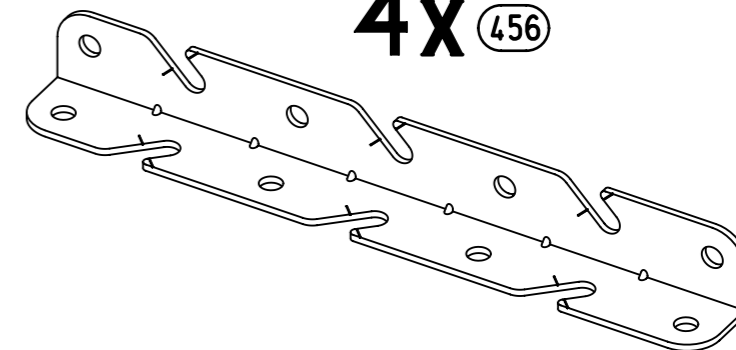
M4

28x (202)

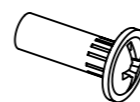


4.5x16

4x (456)

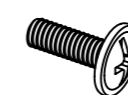


4x (580)



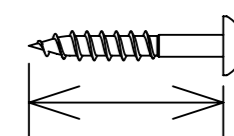
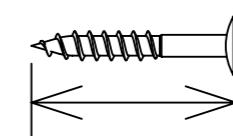
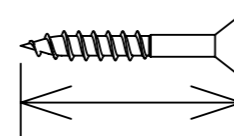
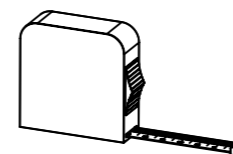
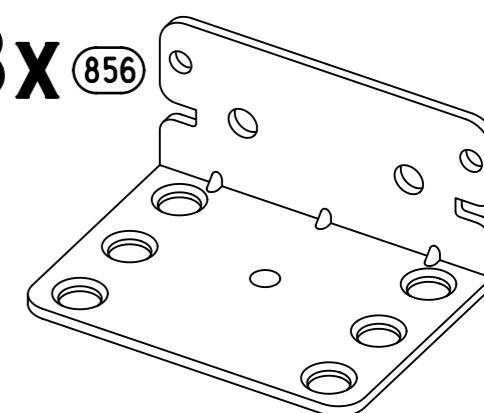
M4

4x (803)



M4x12

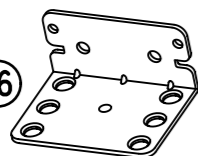
8x (856)



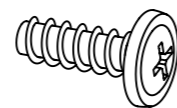
3.

1

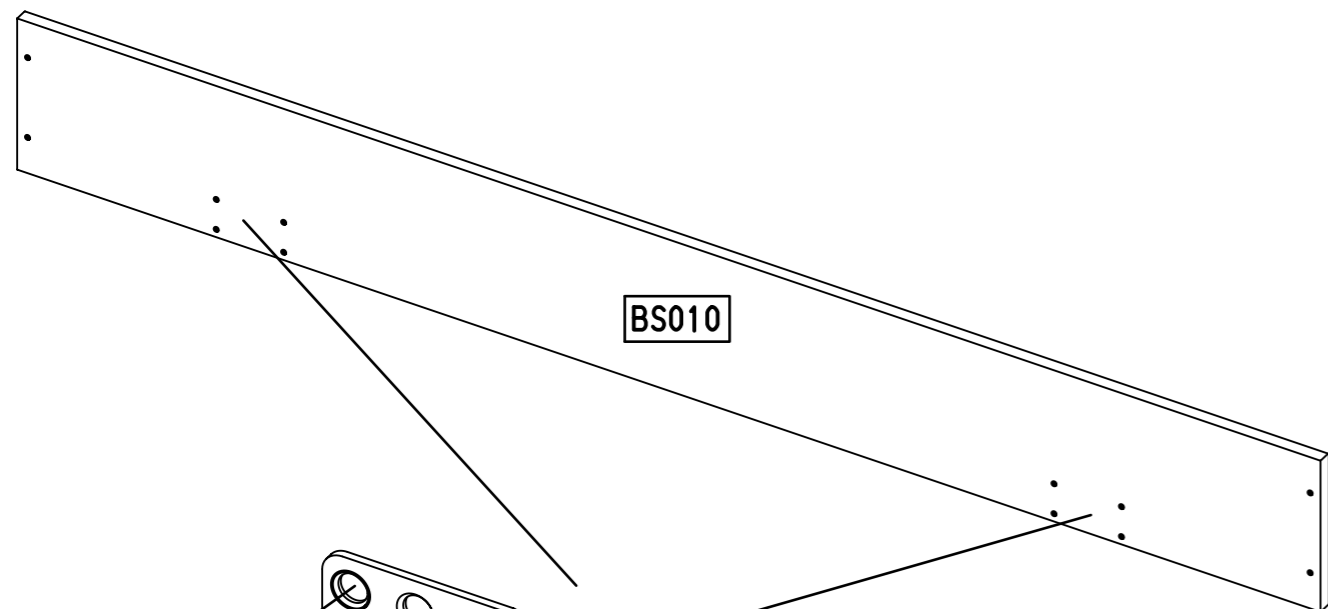
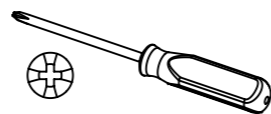
8x 856



16x 25

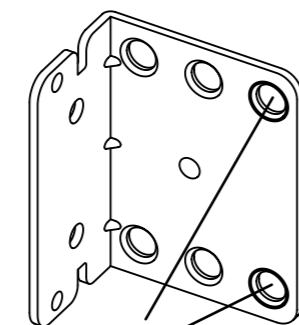


6,3x18

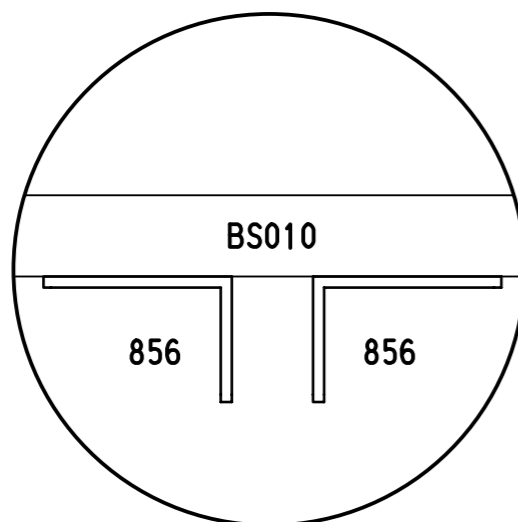


25

856



25



BS010

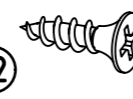
856

856

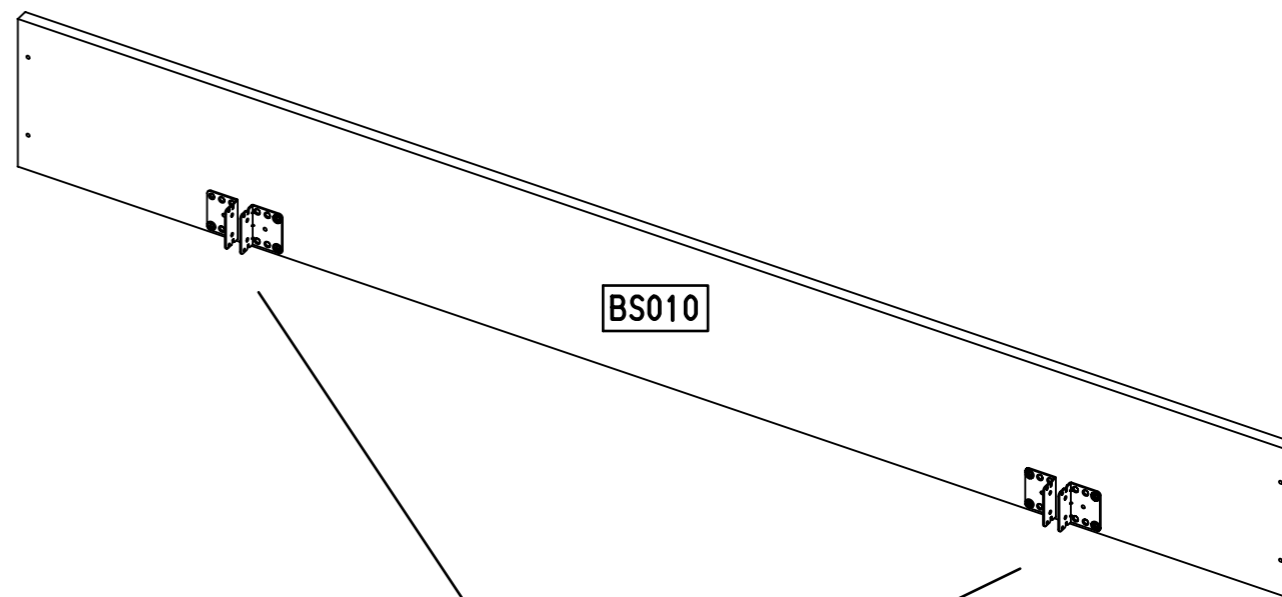
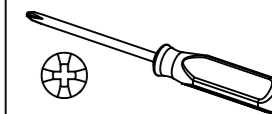
4.

2

16x 202

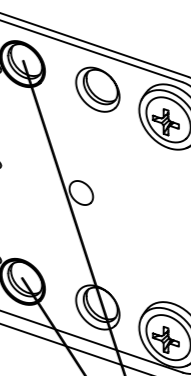


4.5x16



202

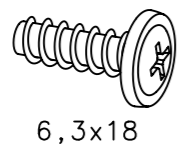
856



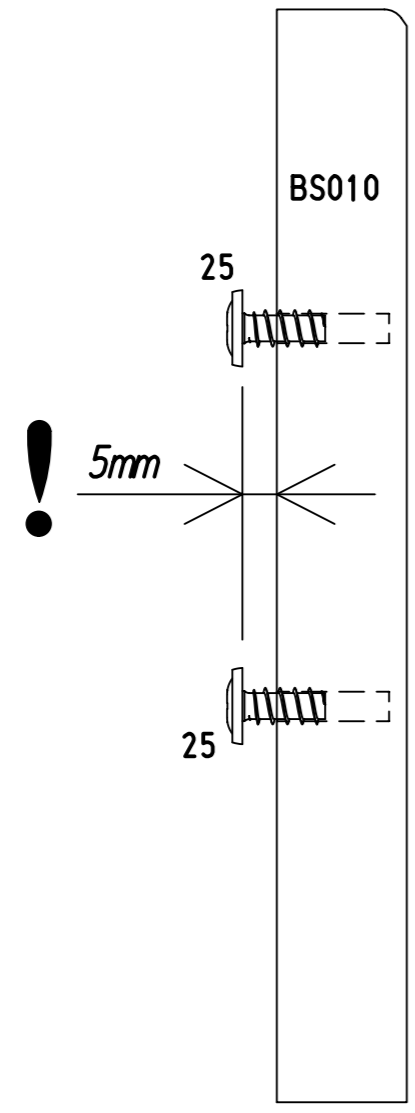
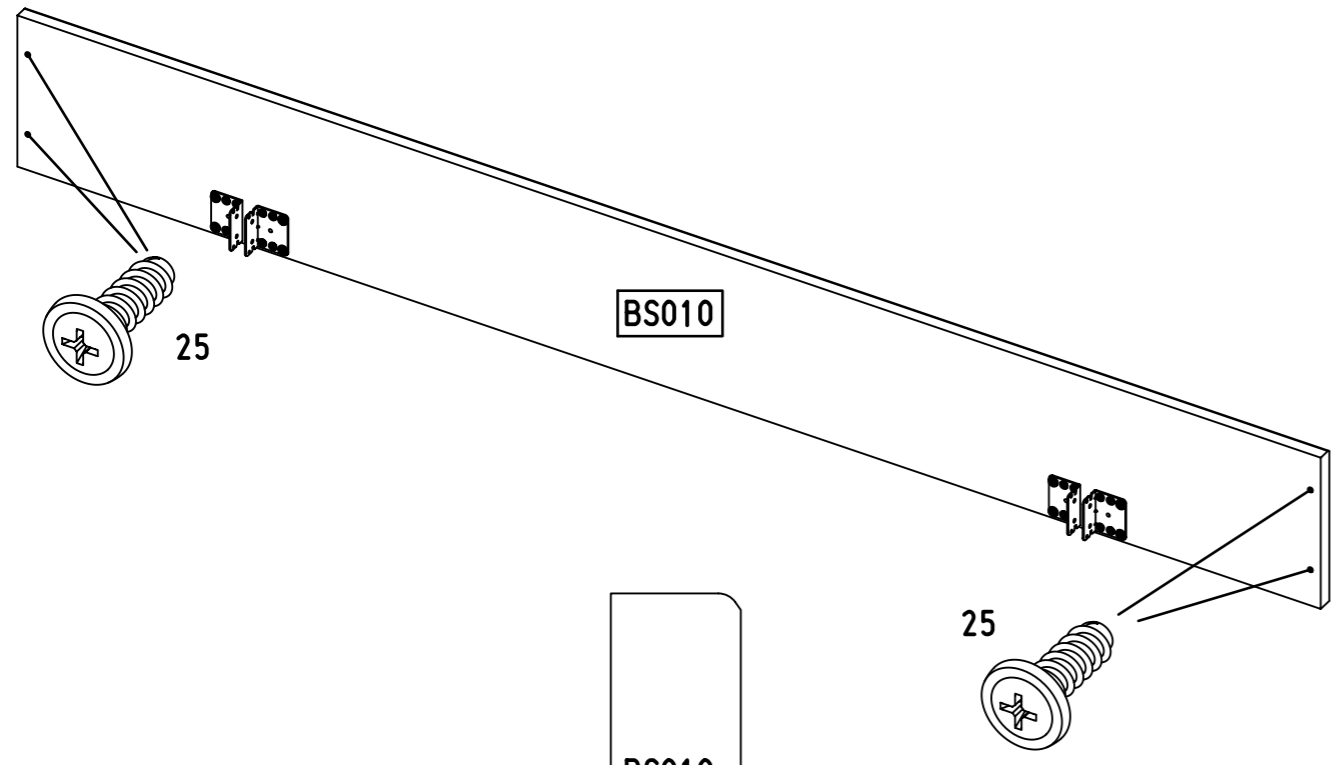
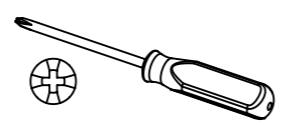
202

3

8x 25

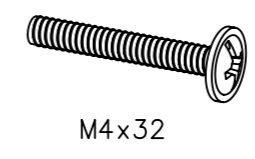


6,3x18



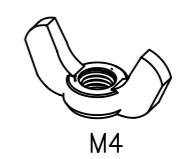
4

8x 56

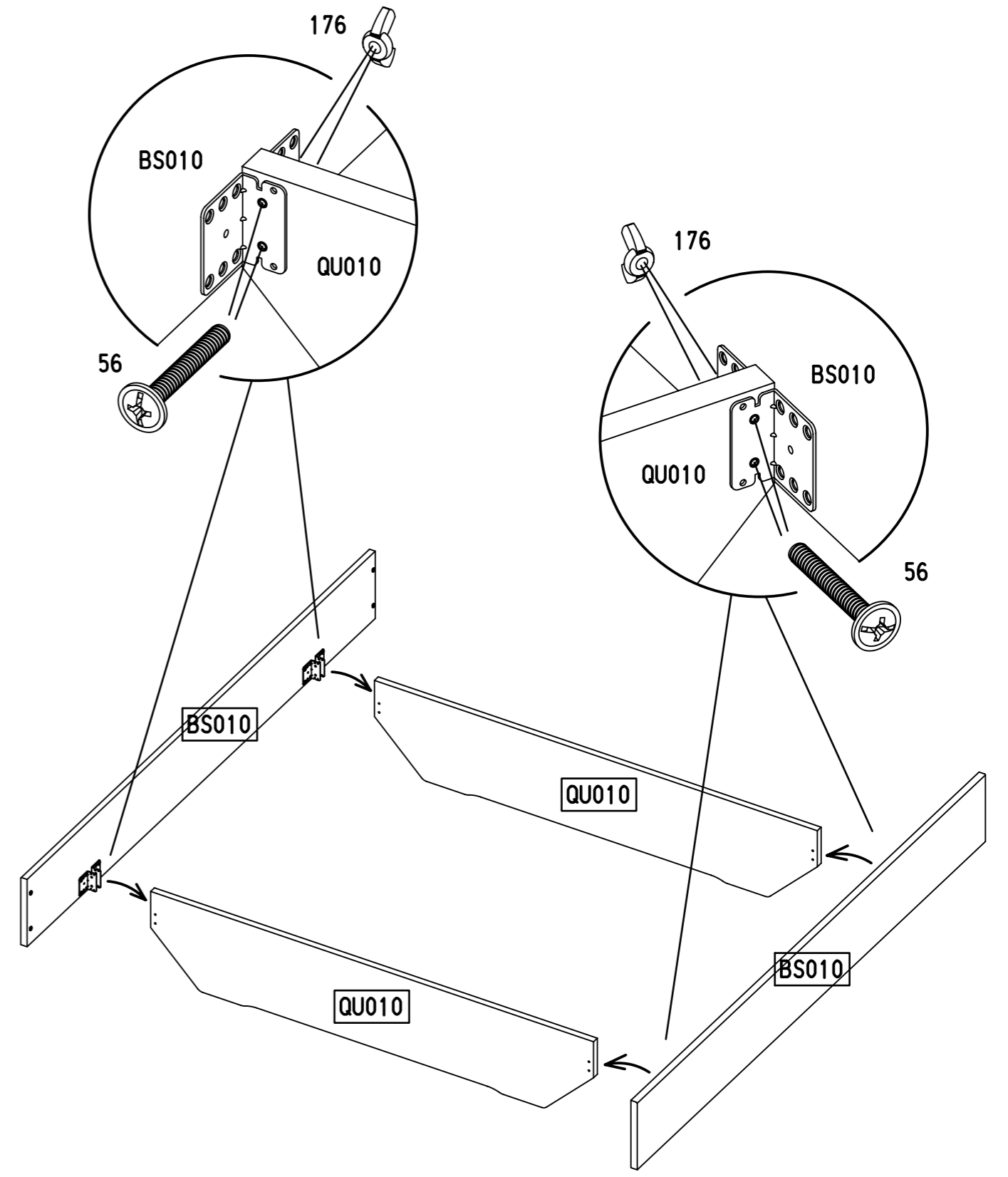
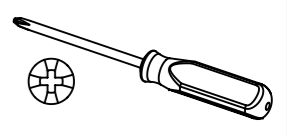


M4x32

8x 176



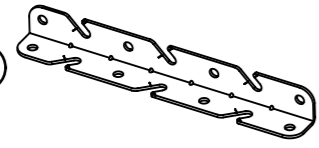
M4



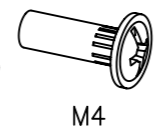
7.

5

2x 456

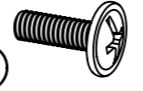


4x 580

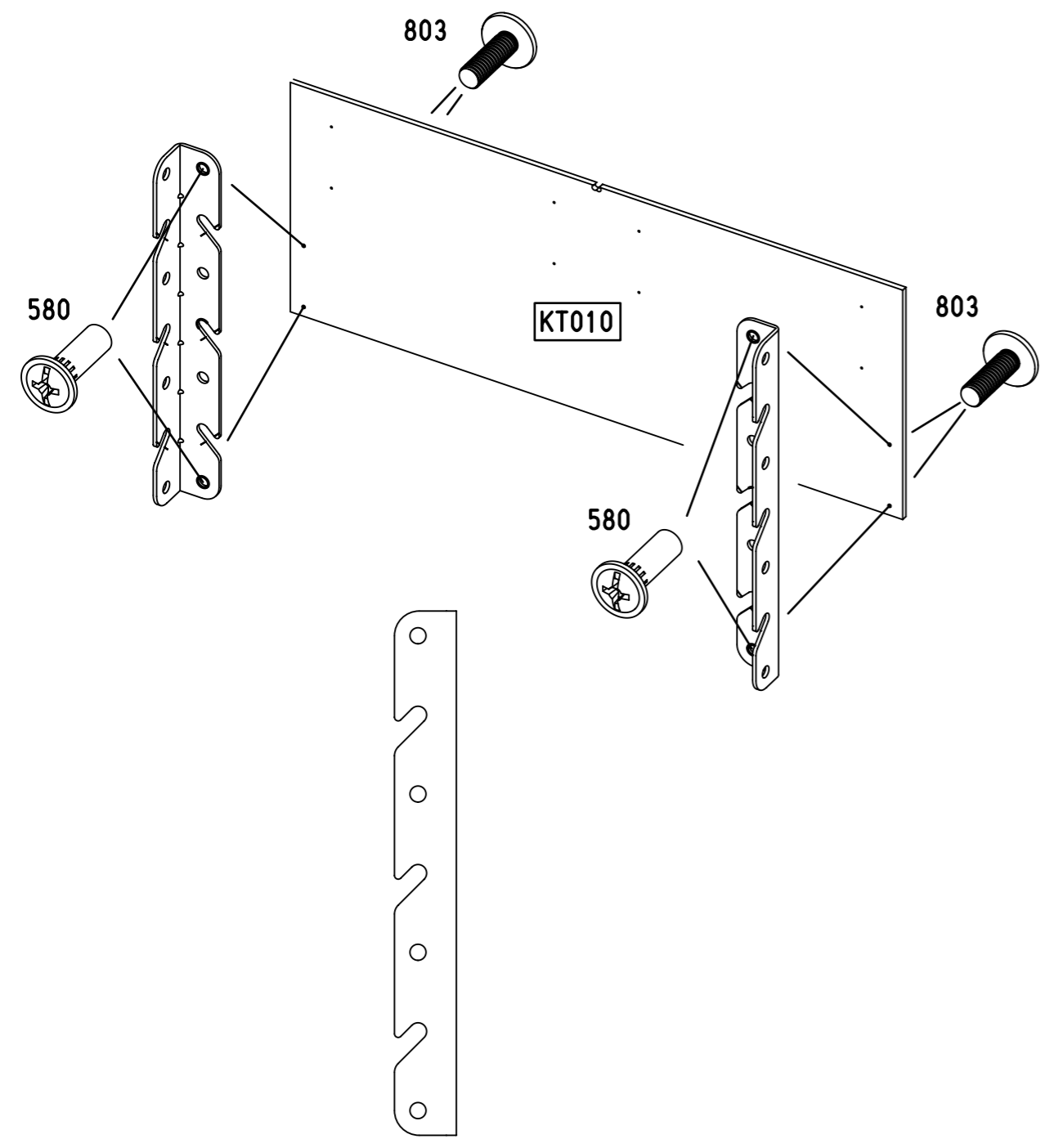
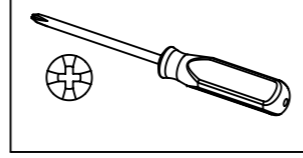


M4

4x 803



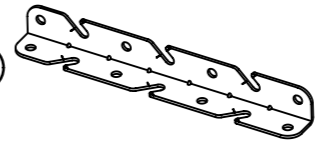
M4x12



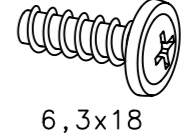
8.

6

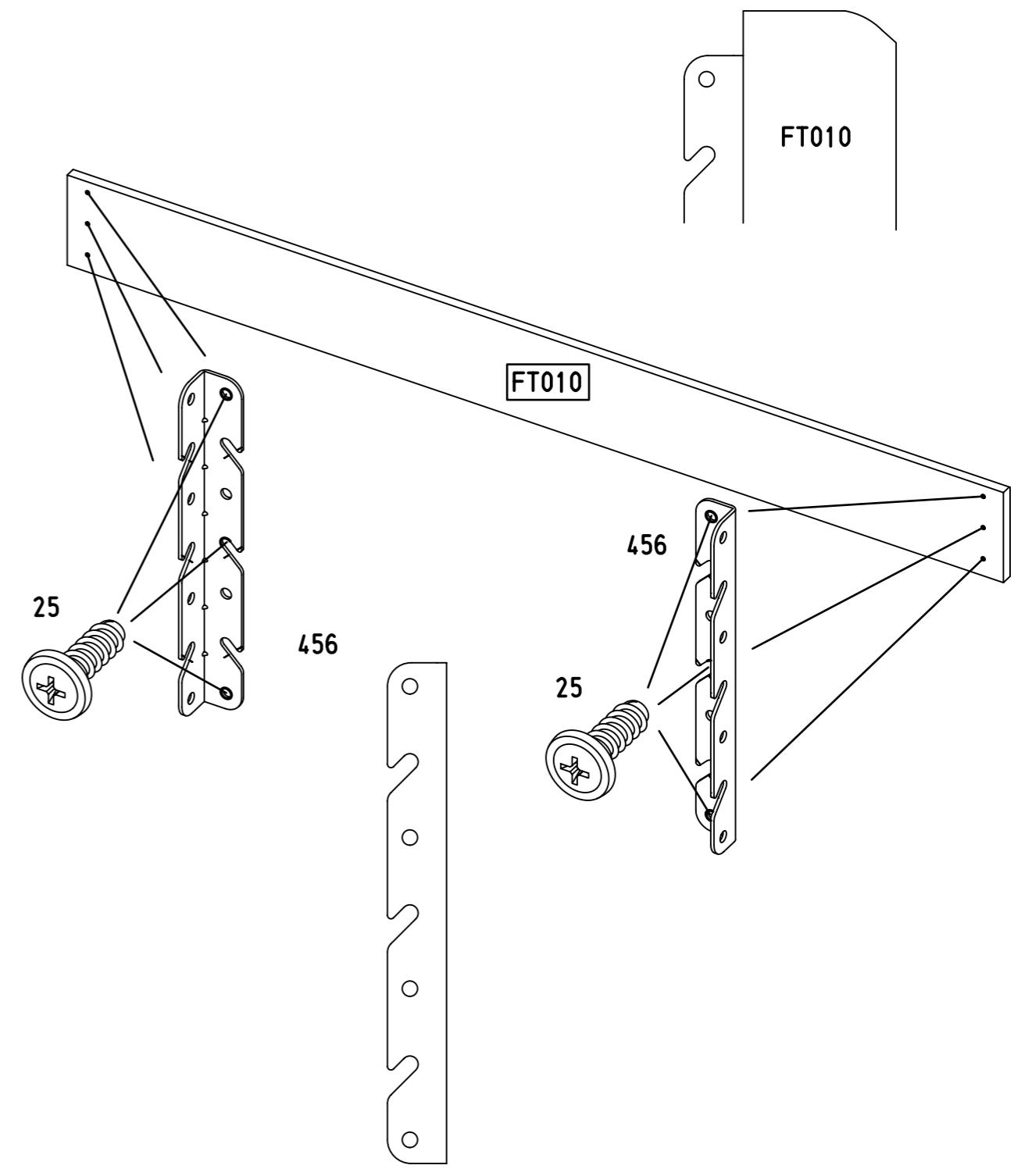
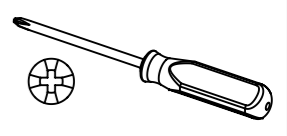
2x 456



6x 25



6,3x18

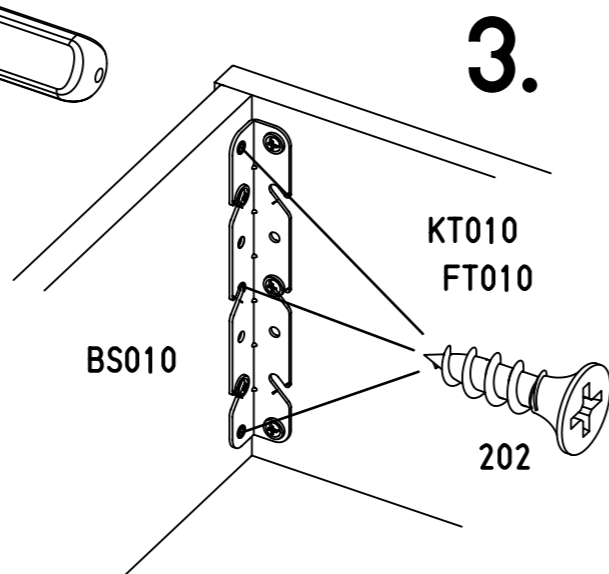
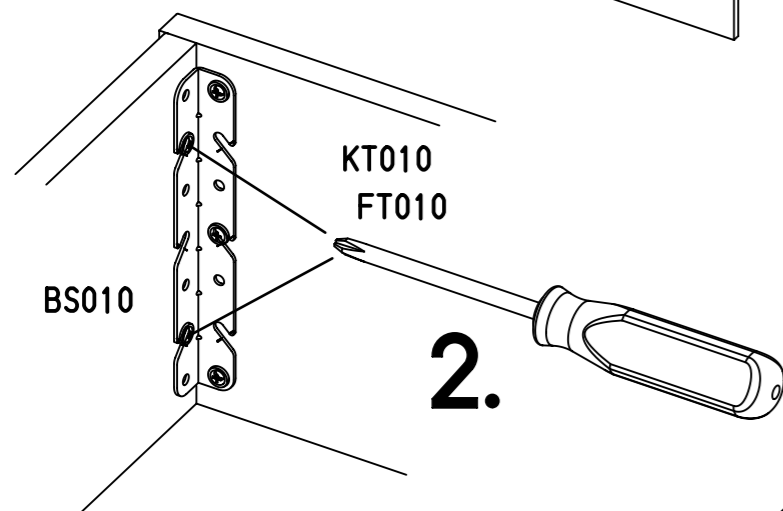
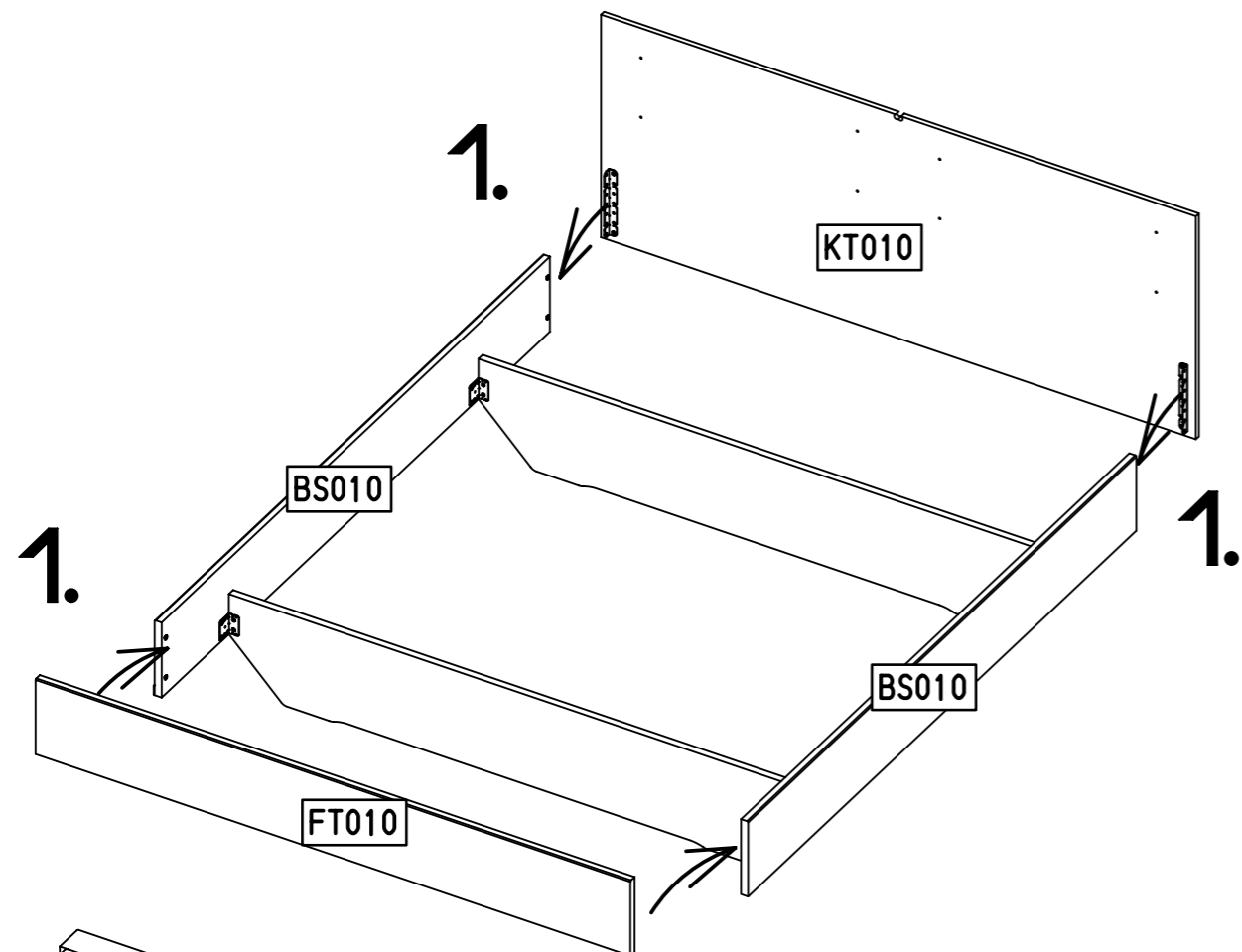
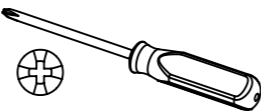


7

12x 202



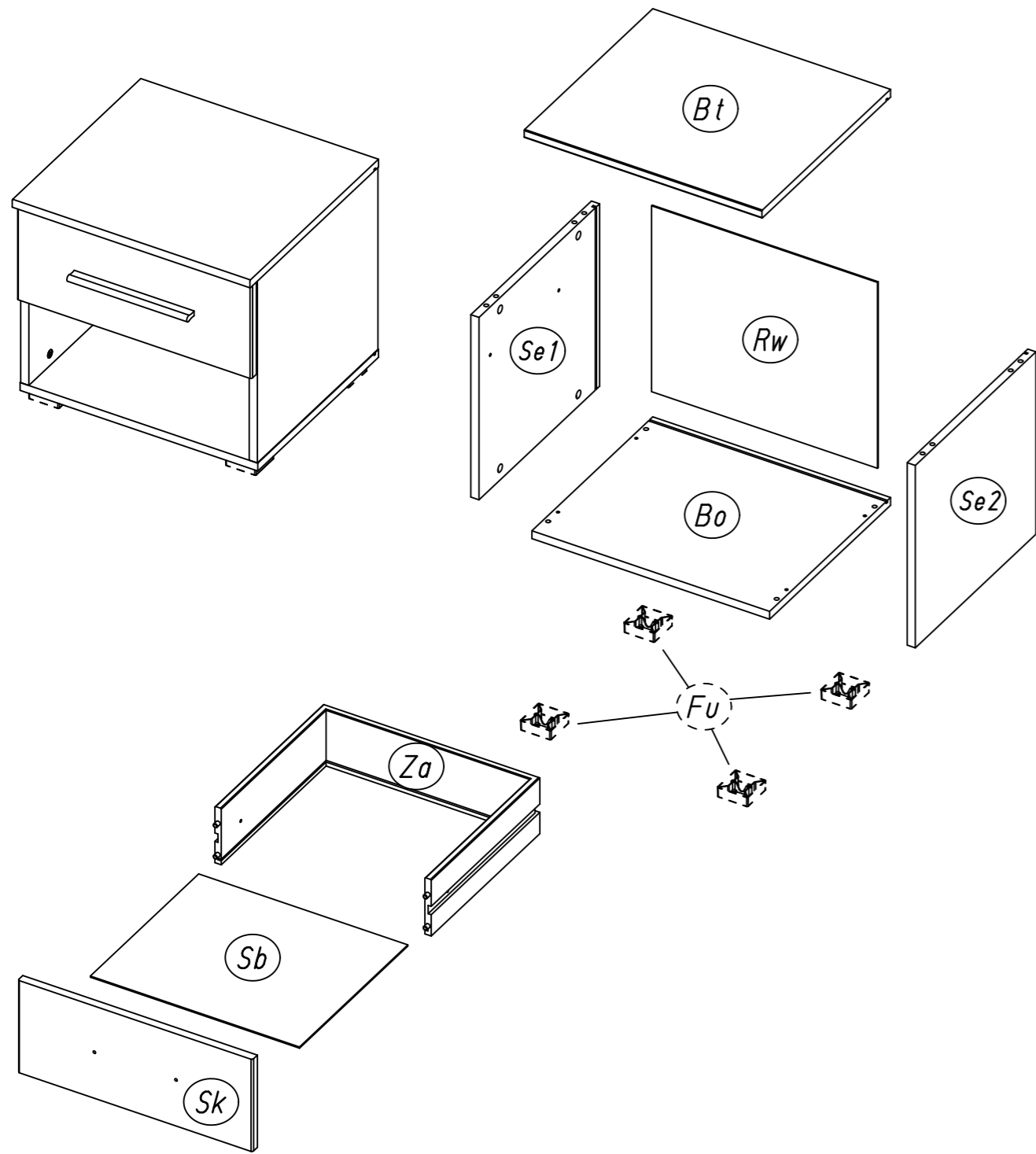
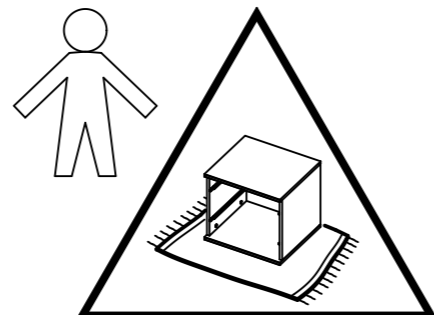
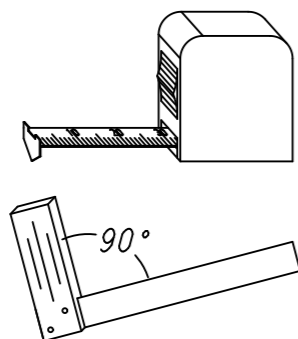
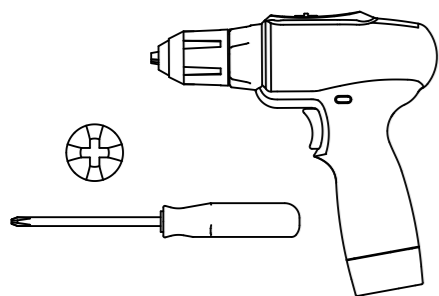
4.5x16



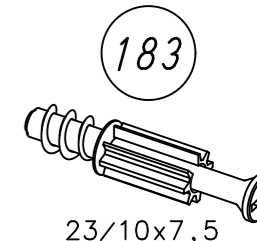
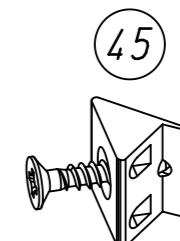
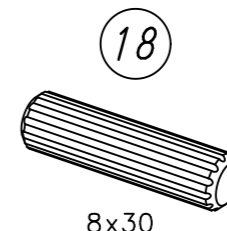
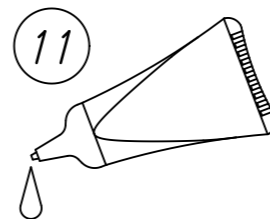
1.

M2302_02

rauch



2.

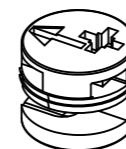


227



6x10,5

349

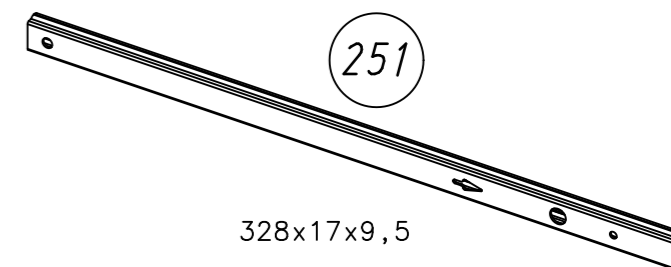


568

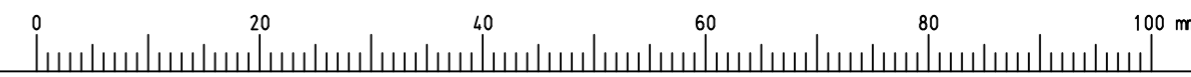
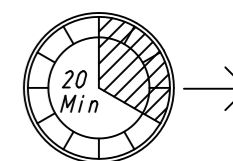
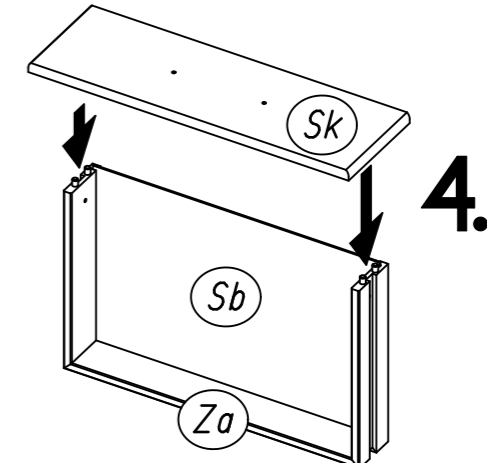
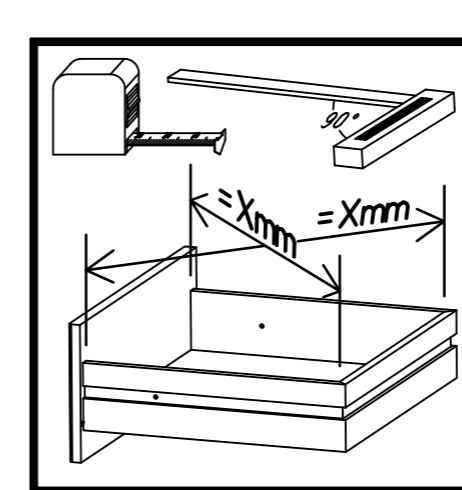
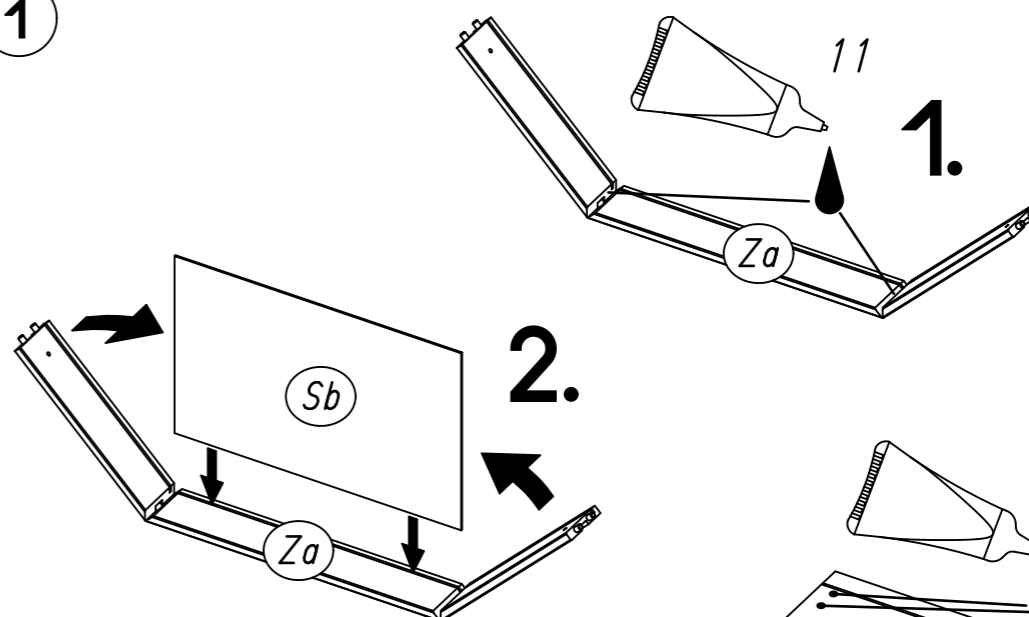


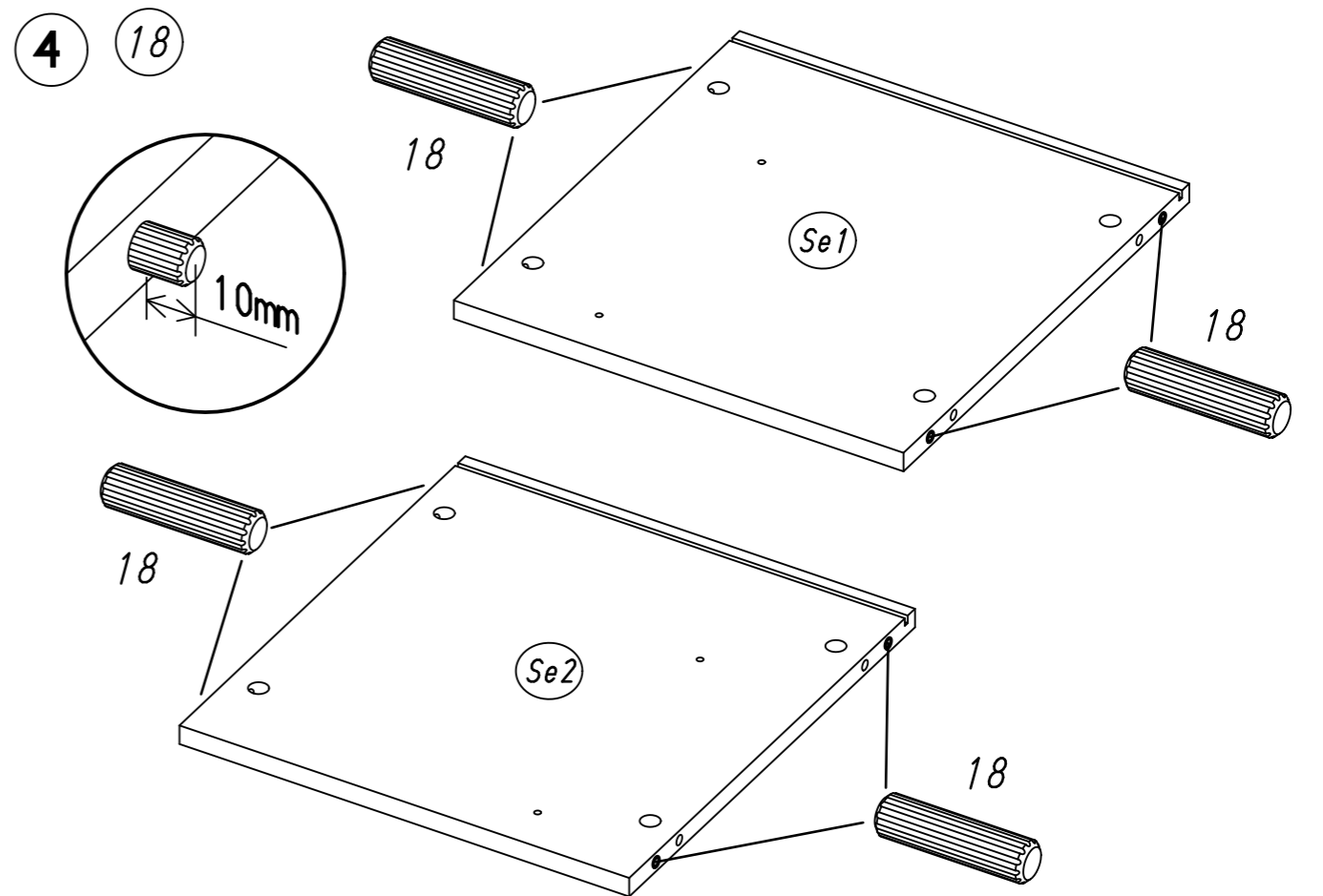
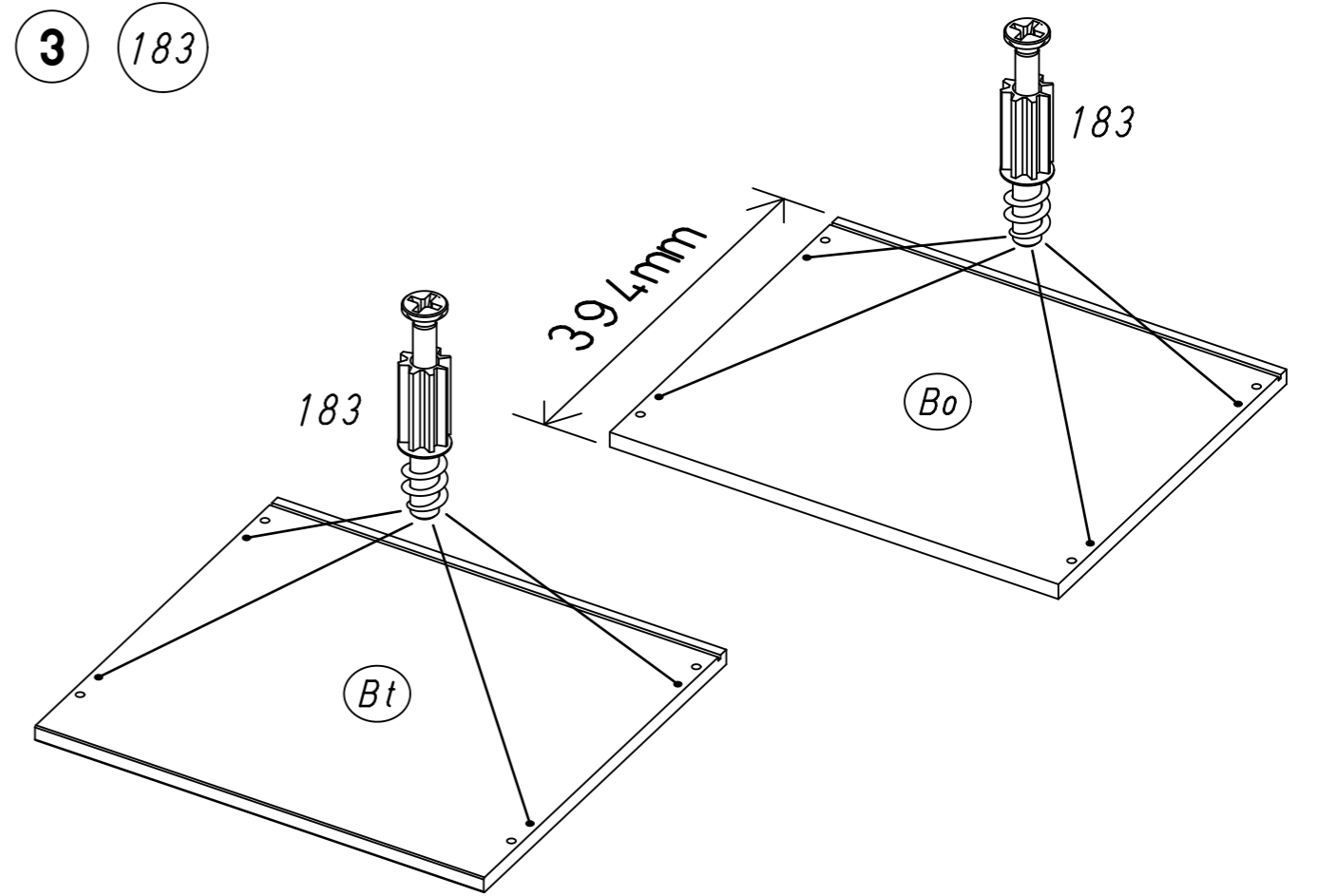
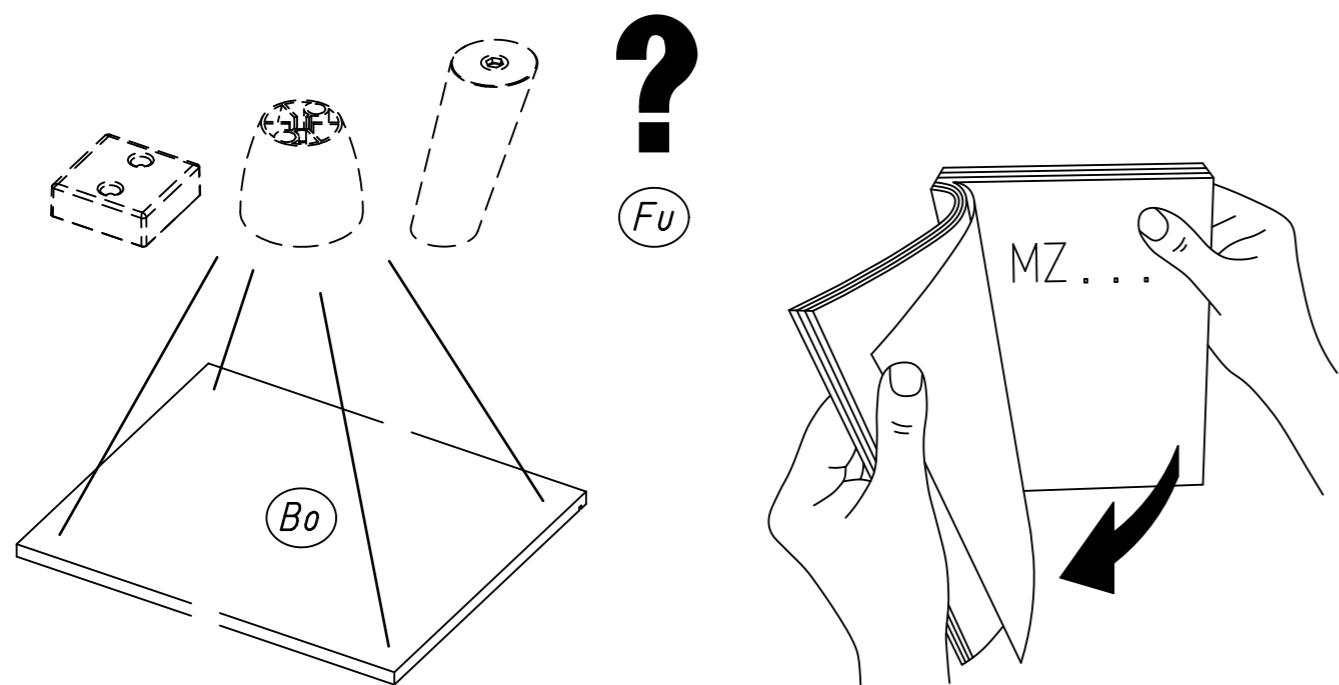
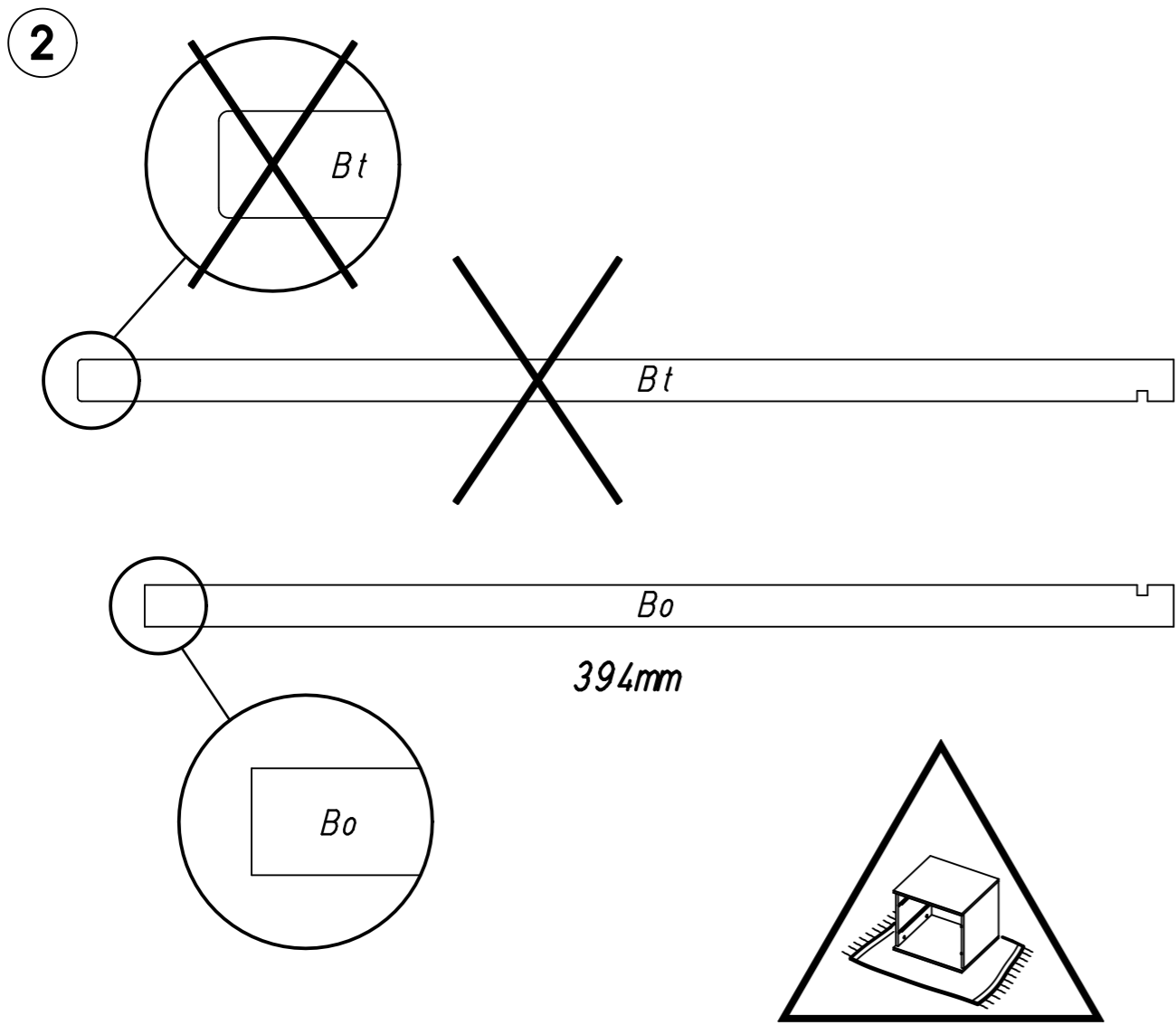
M4x9

251



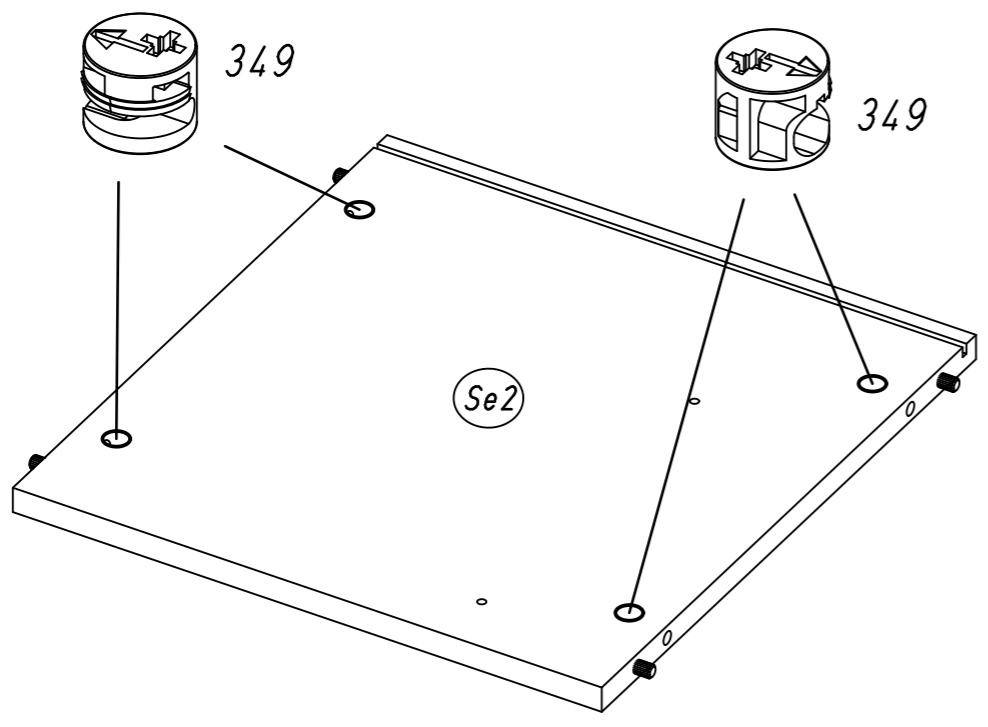
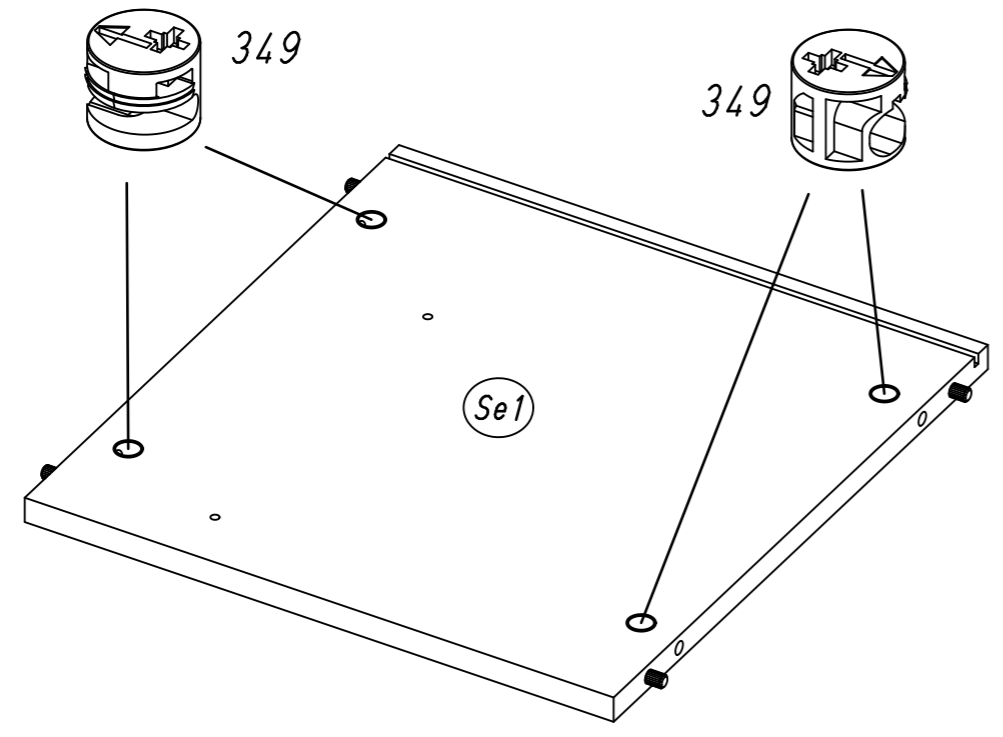
1





5.

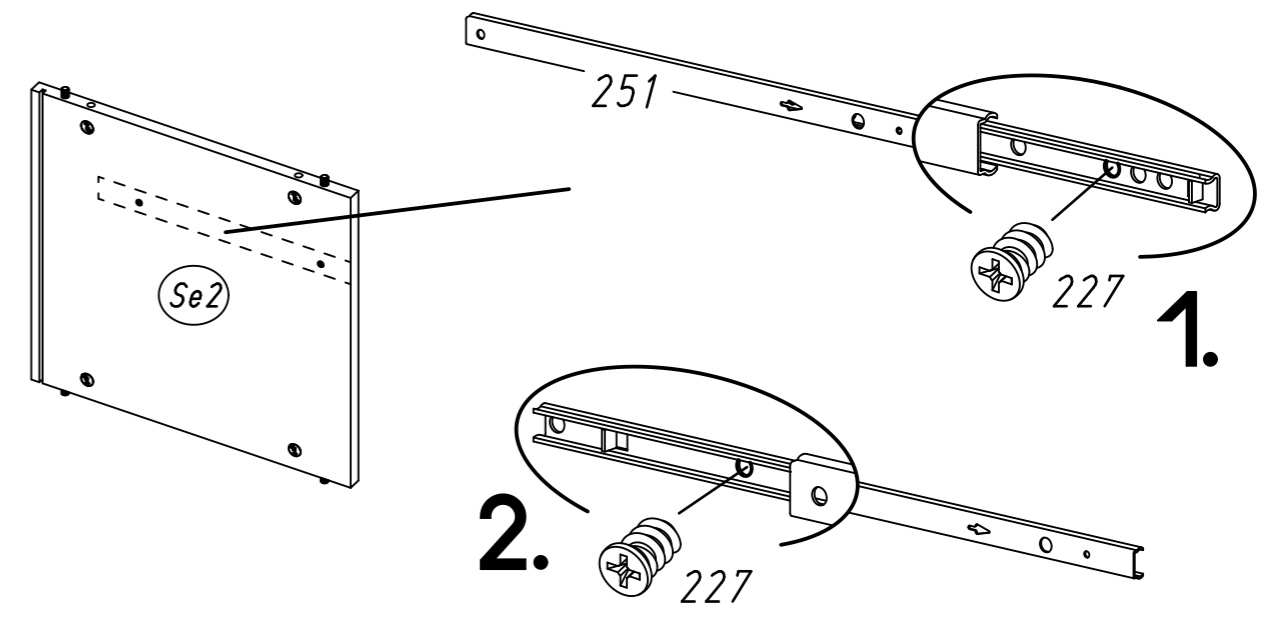
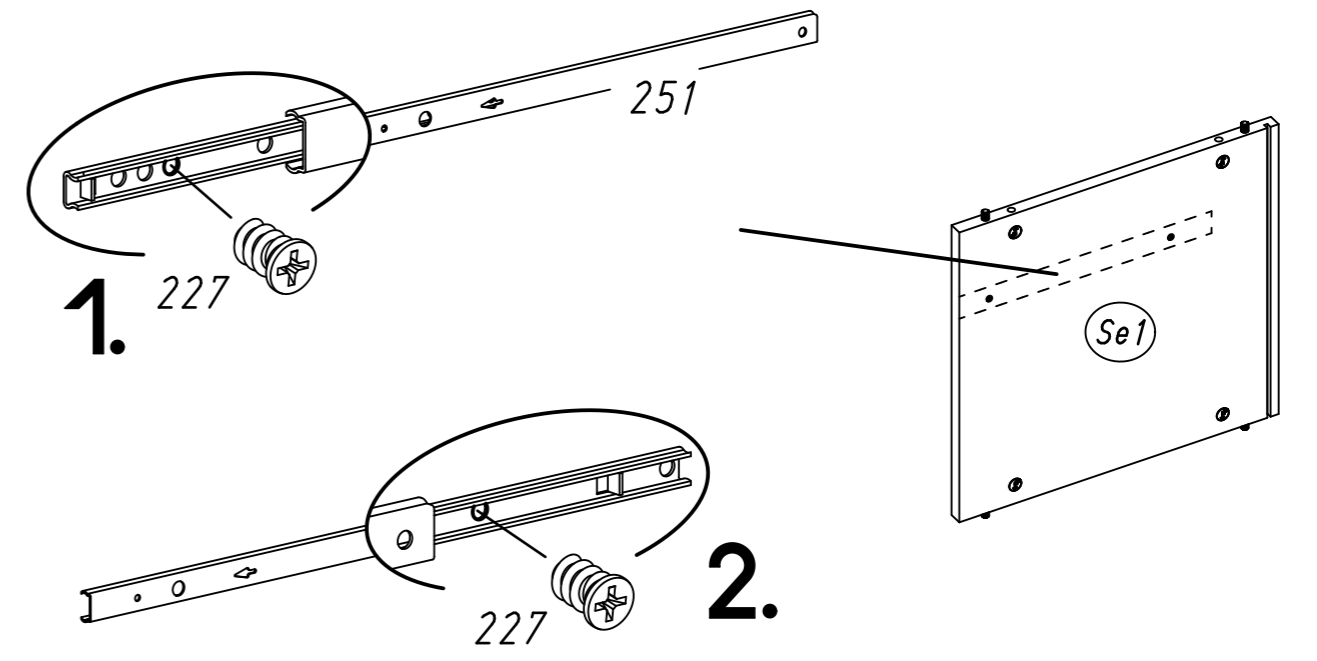
5 349



M2302

6.

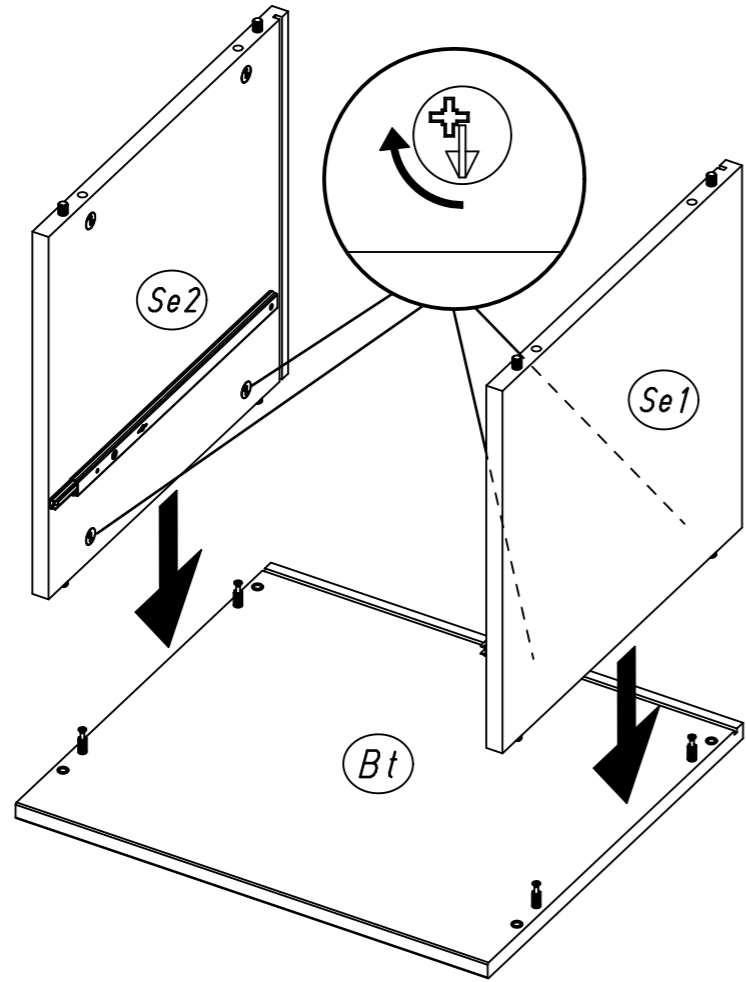
6 251 227



M2302

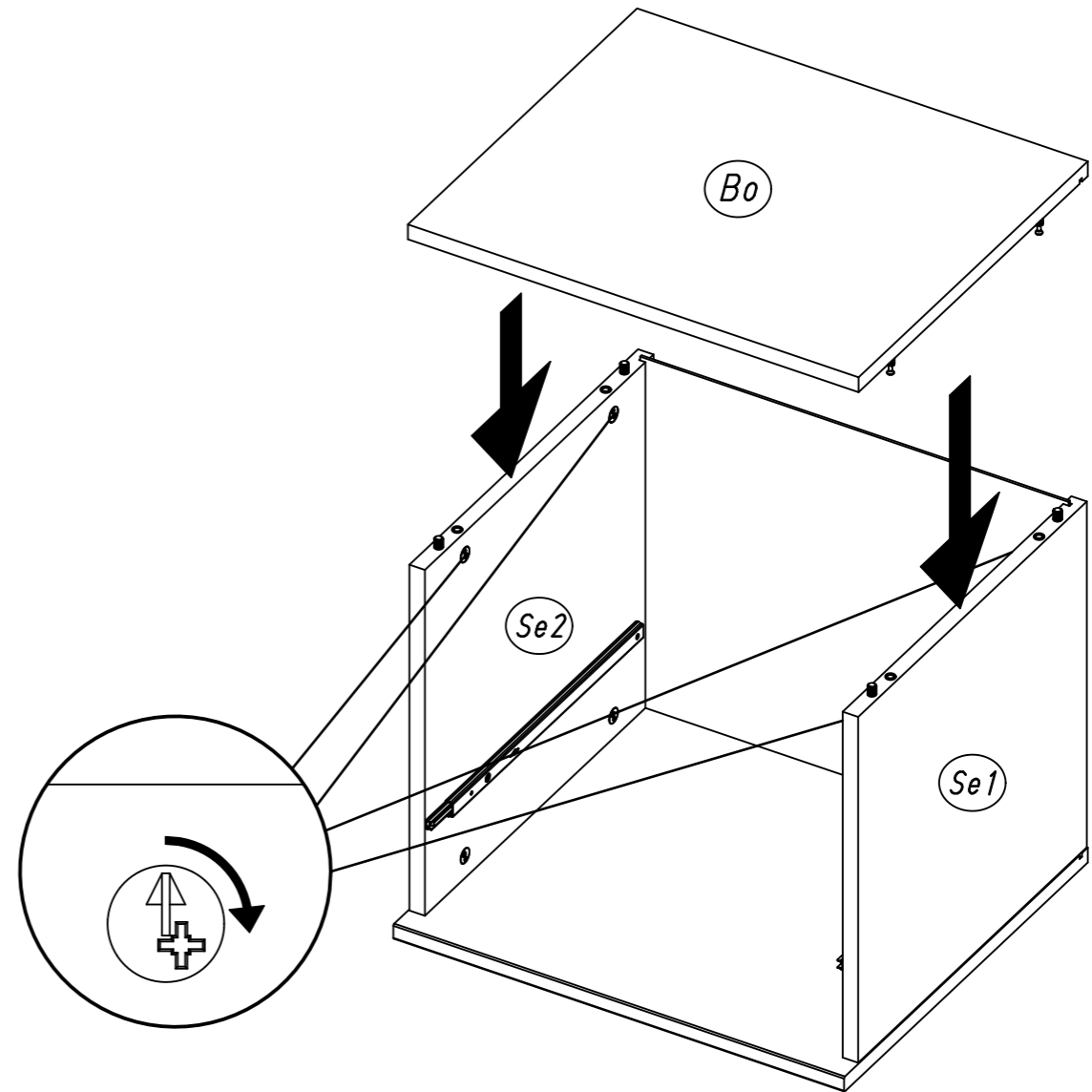
7.

7

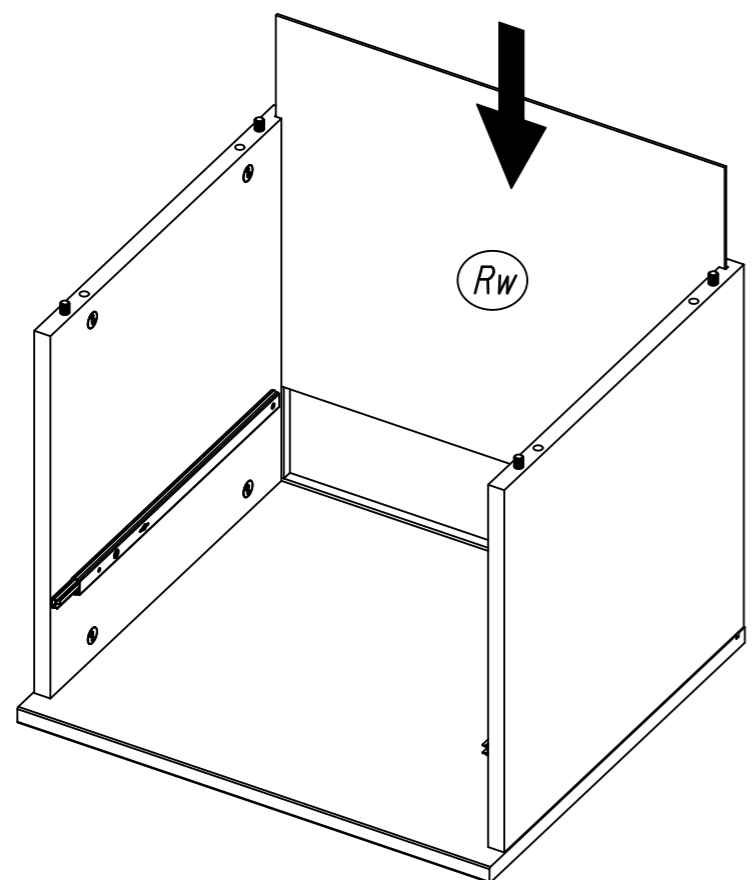


8.

9

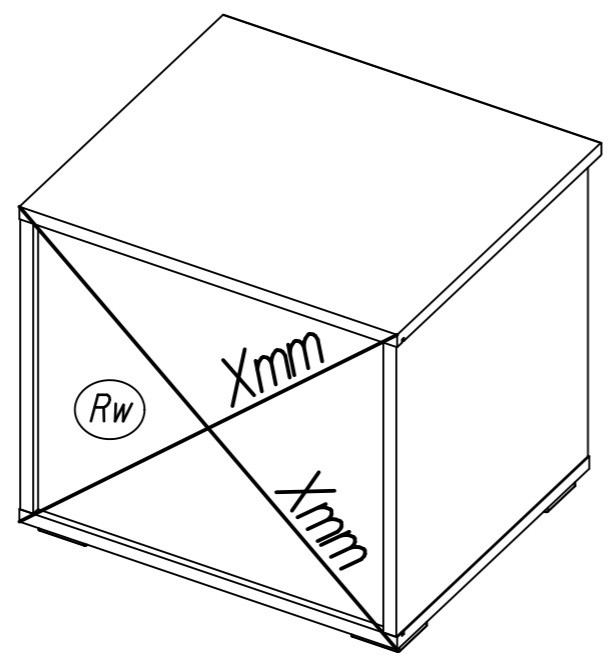
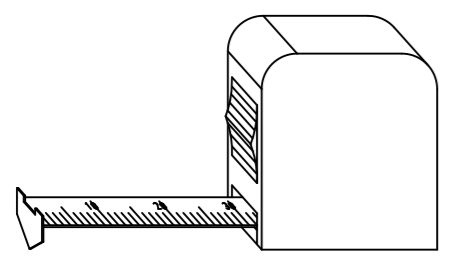


8

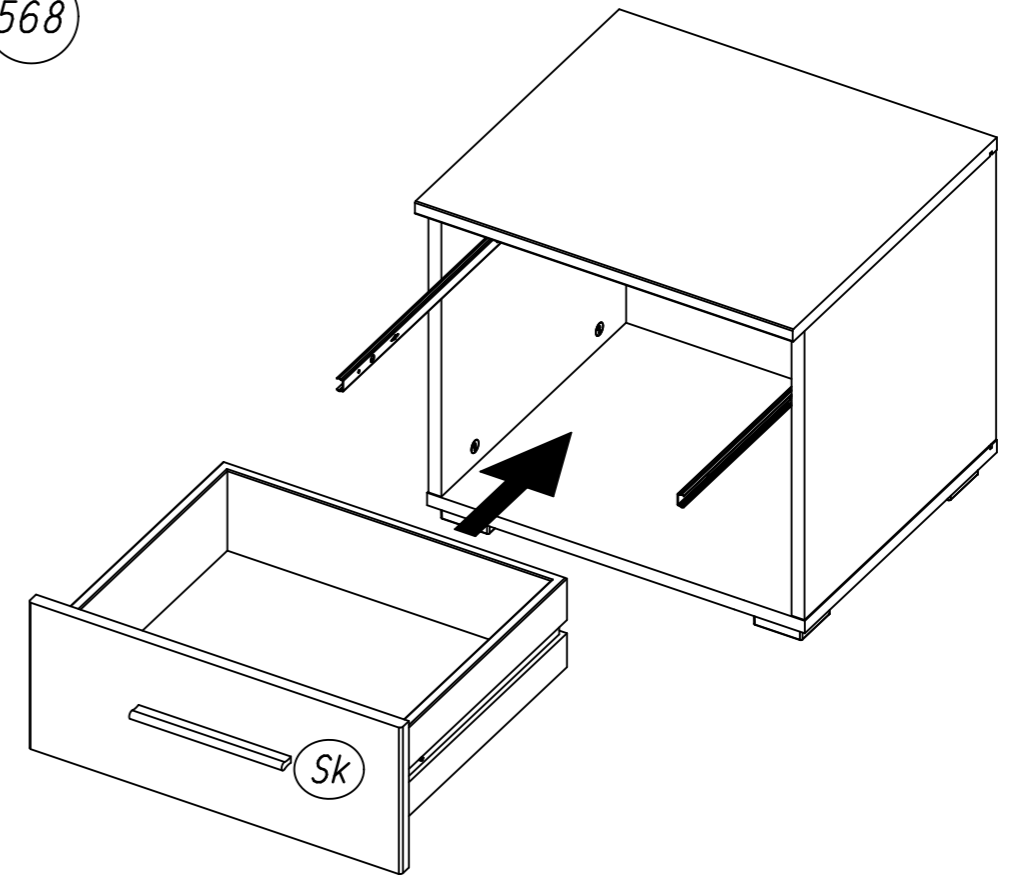


10

Xmm = Xmm

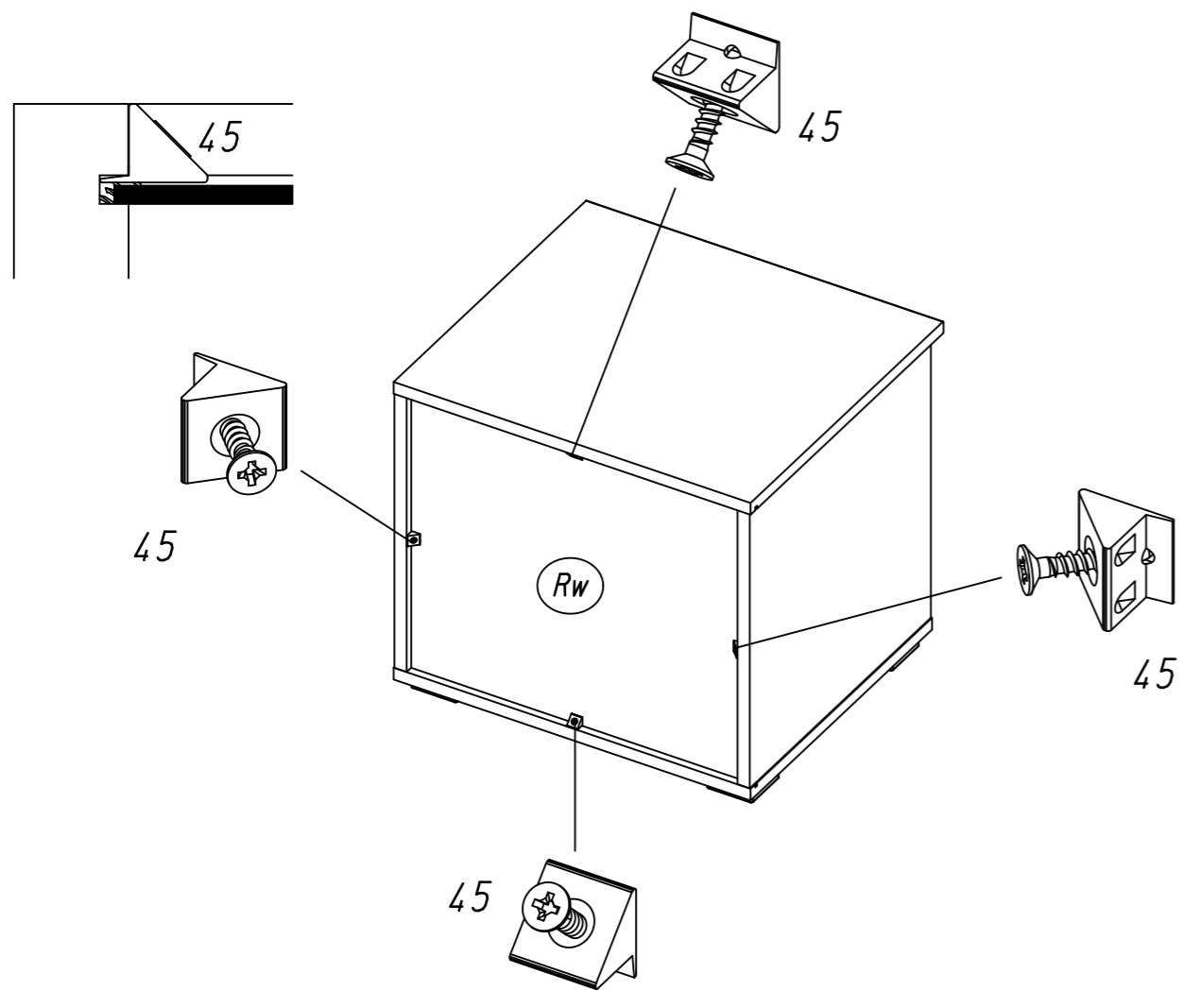


12 568

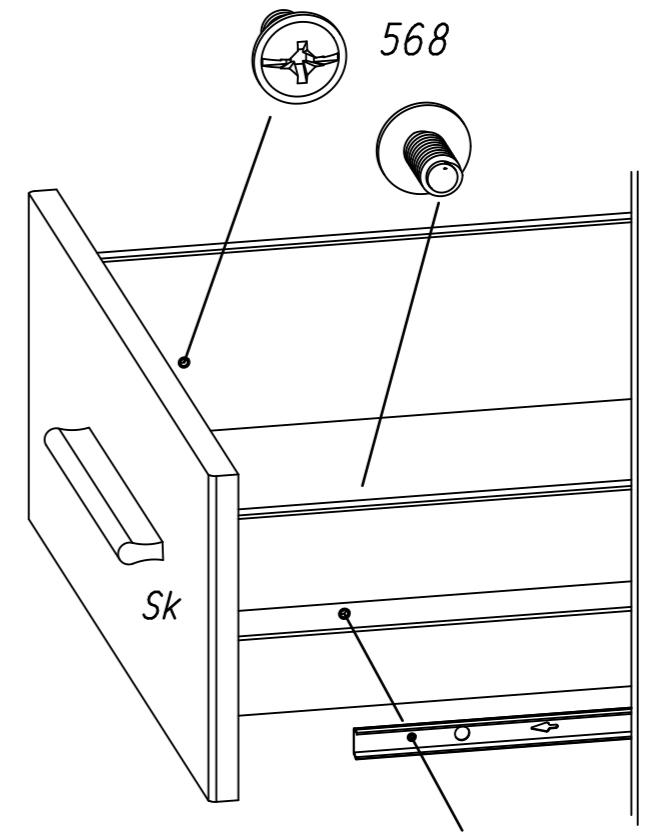


11

45



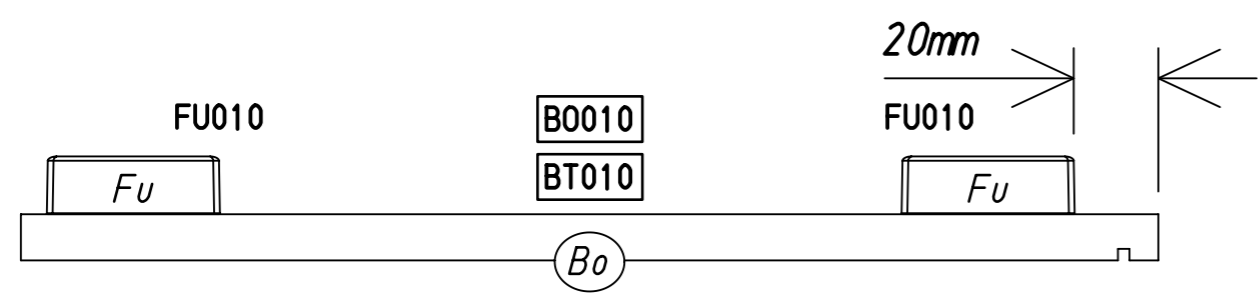
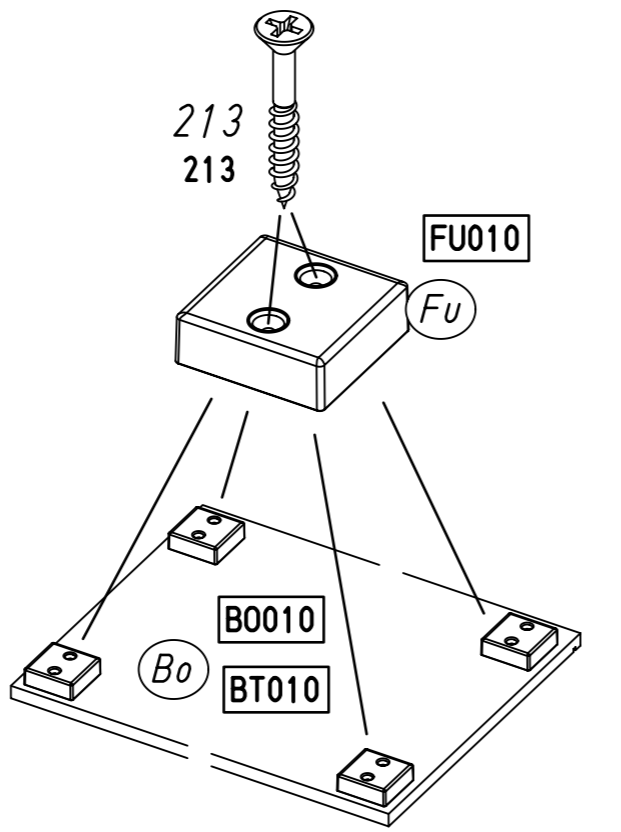
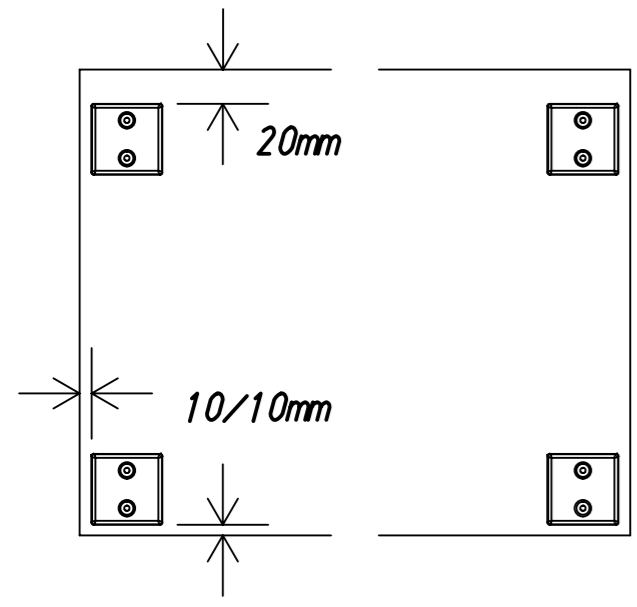
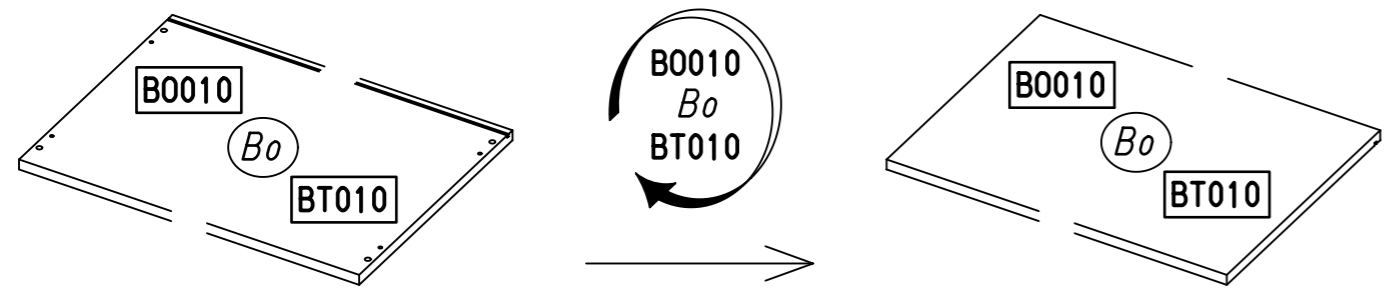
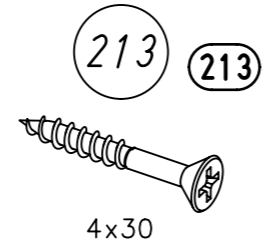
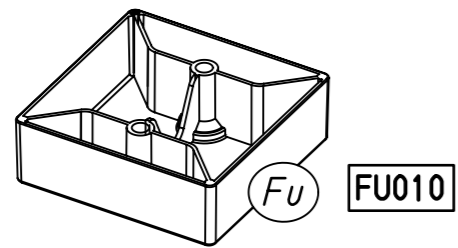
568



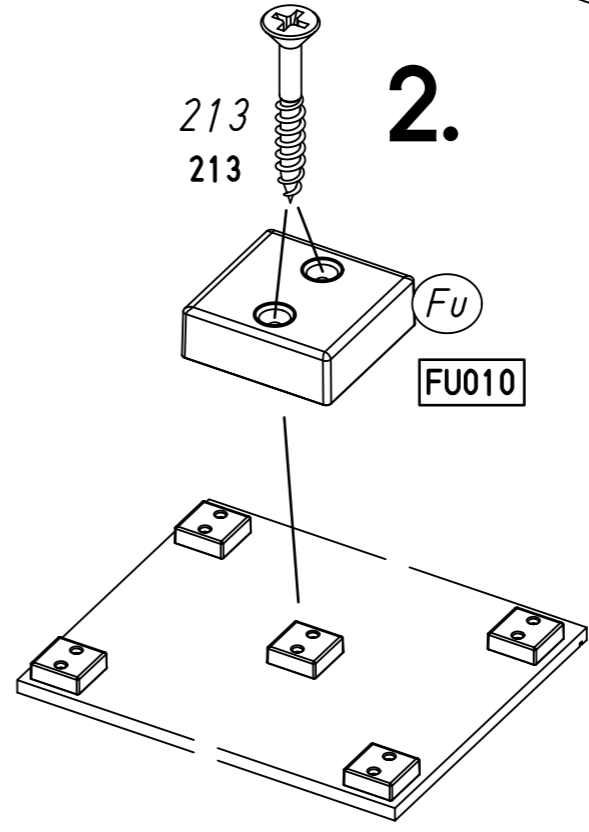
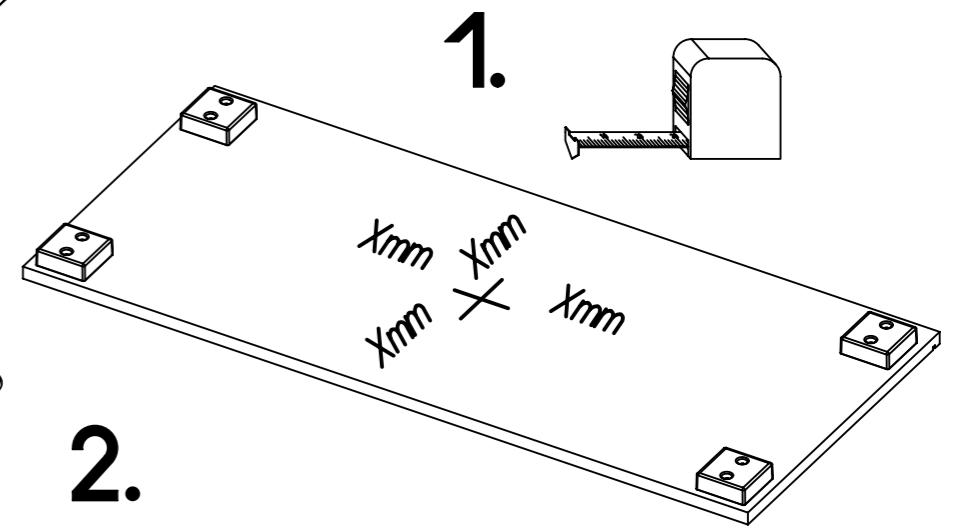
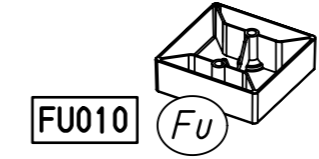
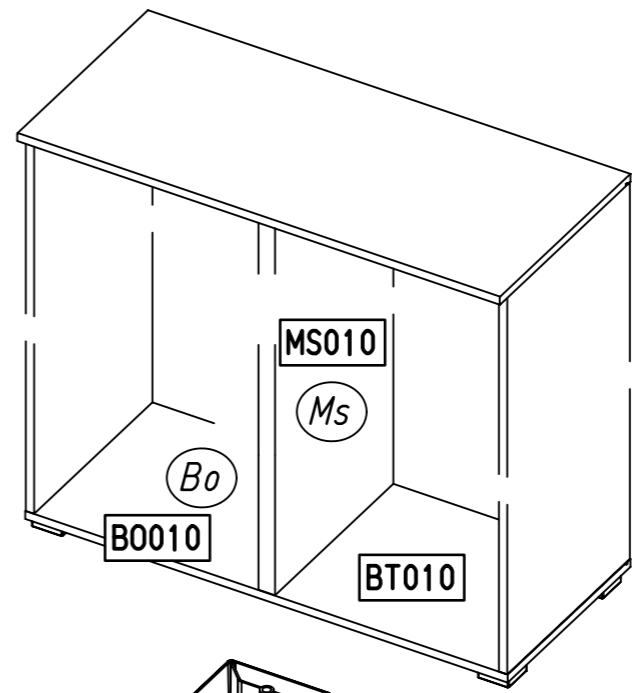
1.

MZ044_01

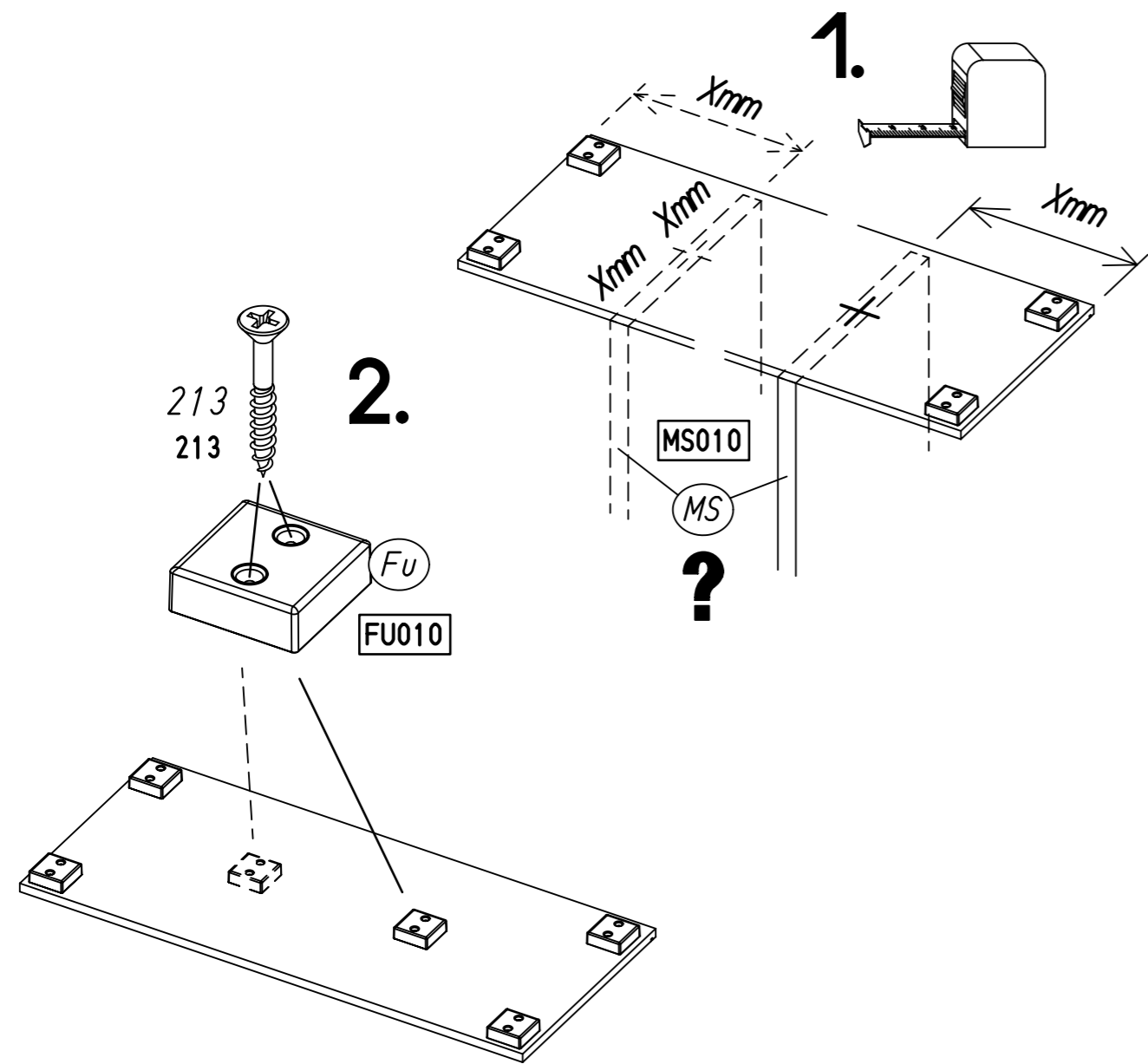
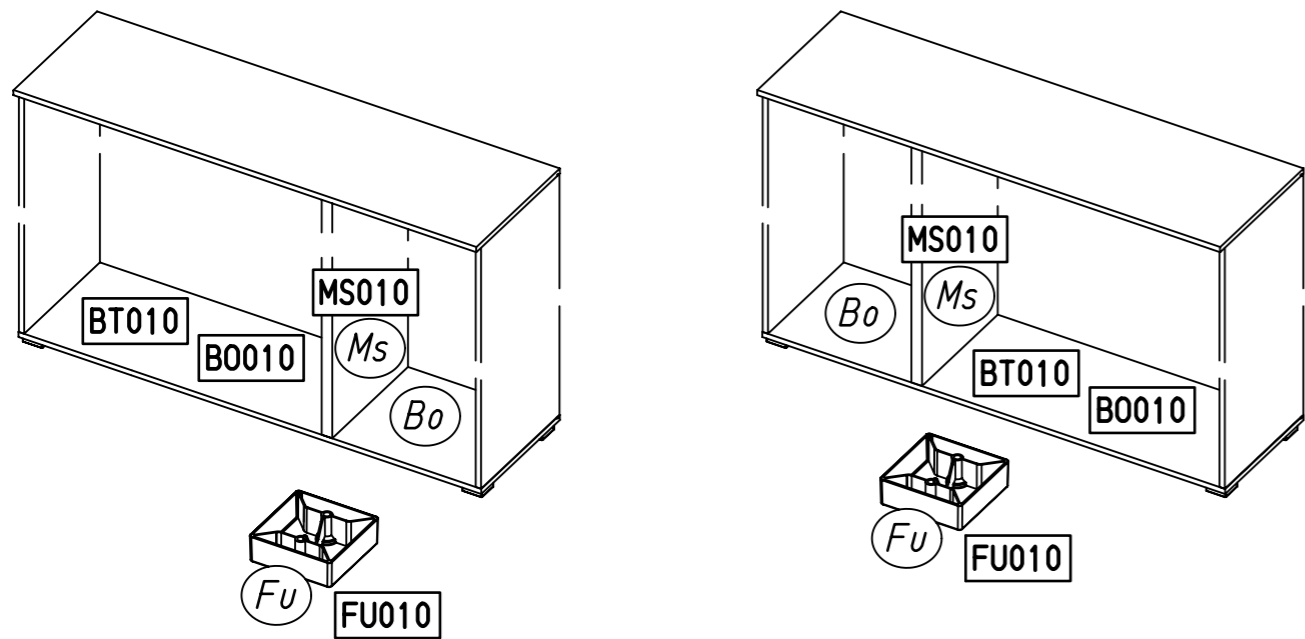
rauch



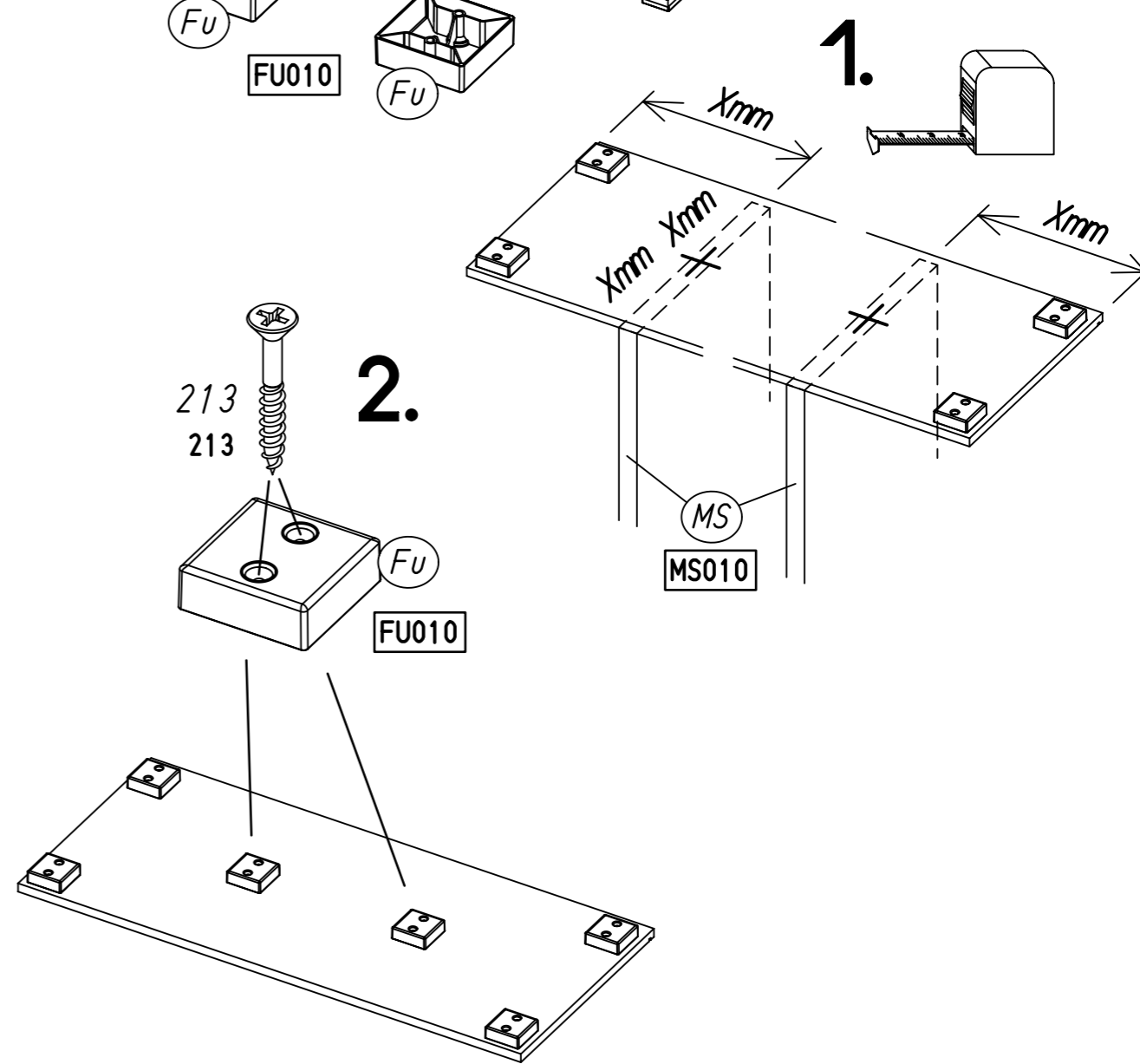
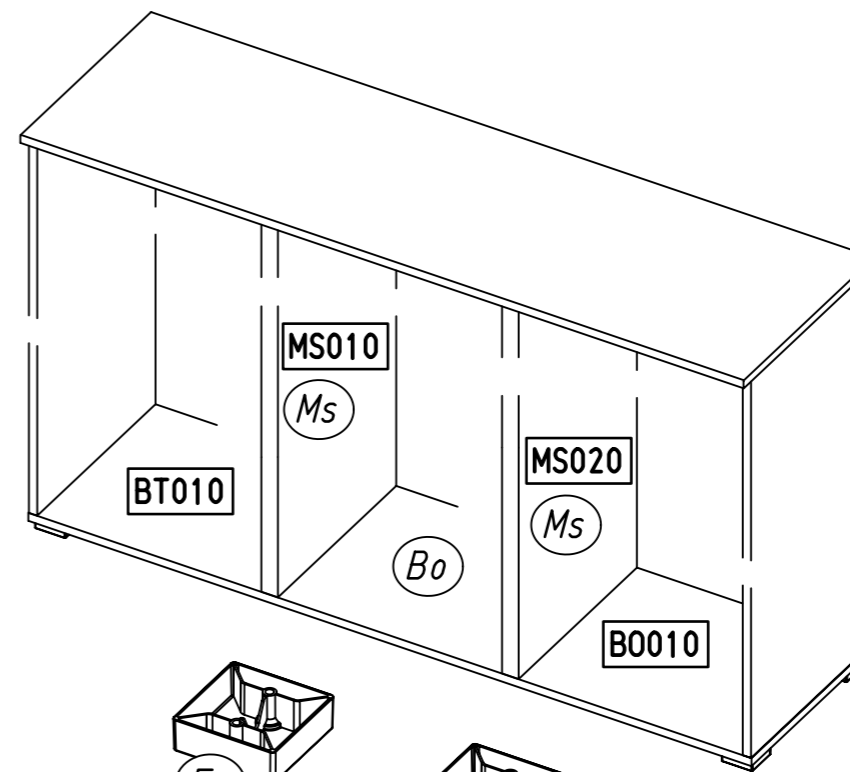
2.



3.



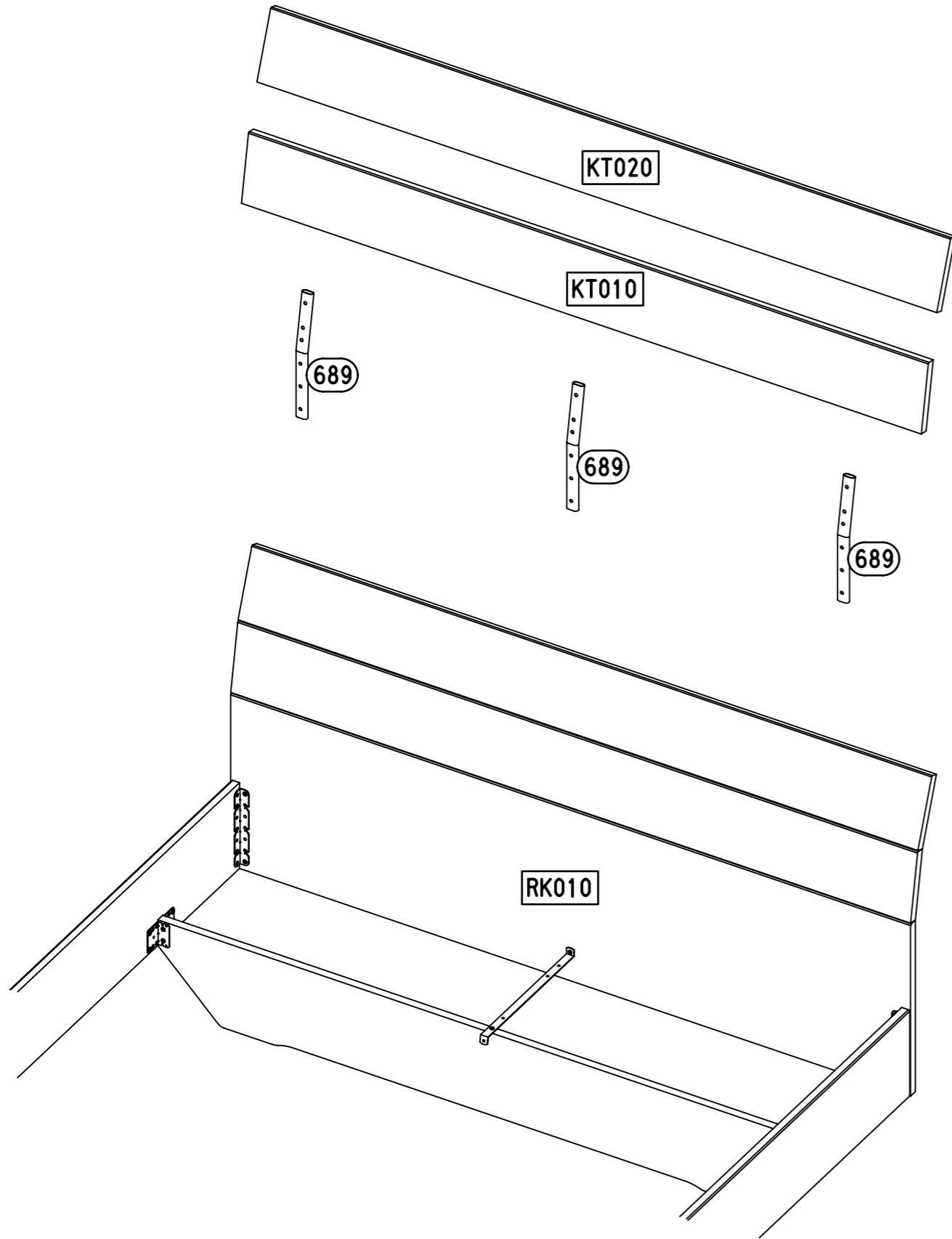
4.



1.

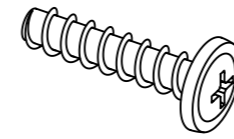
MZ130_01

rauch



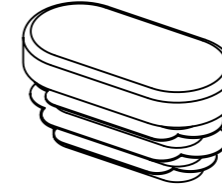
2.

12x (90)

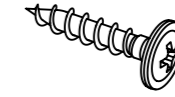


6,3x27

3x (114)

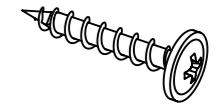


16x (243)



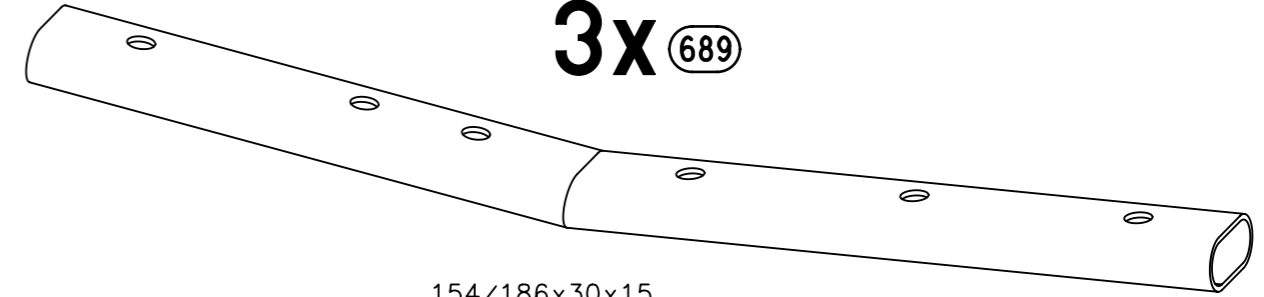
4x21

3x (252)



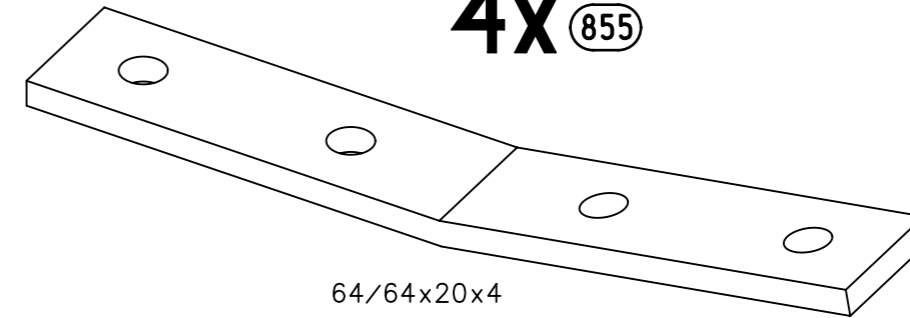
4x27

3x (689)

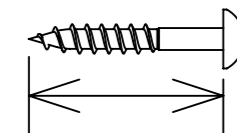
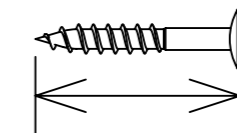
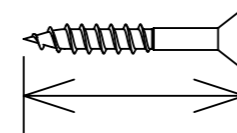
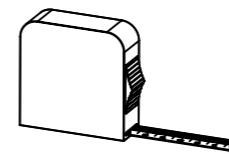


154/186x30x15

4x (855)



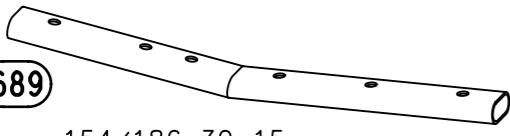
64/64x20x4



3.

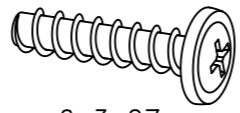
1

3x 689

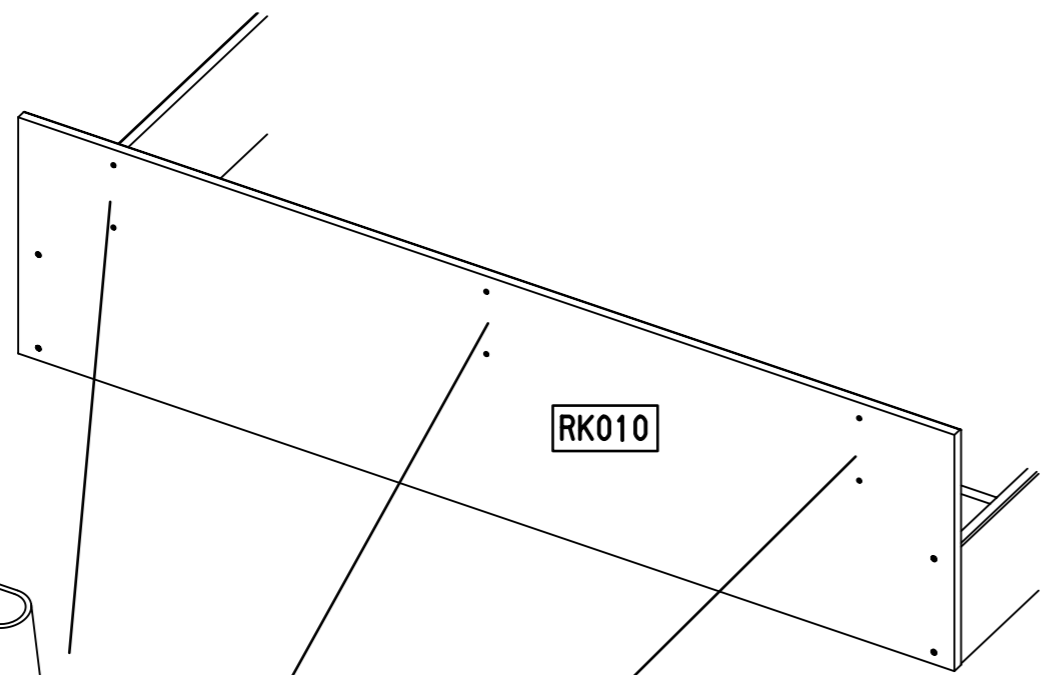
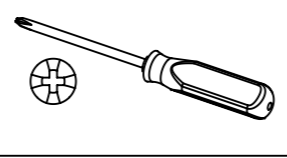


154/186x30x15

6x 90



6,3x27



RK010

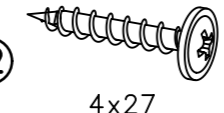
90

689

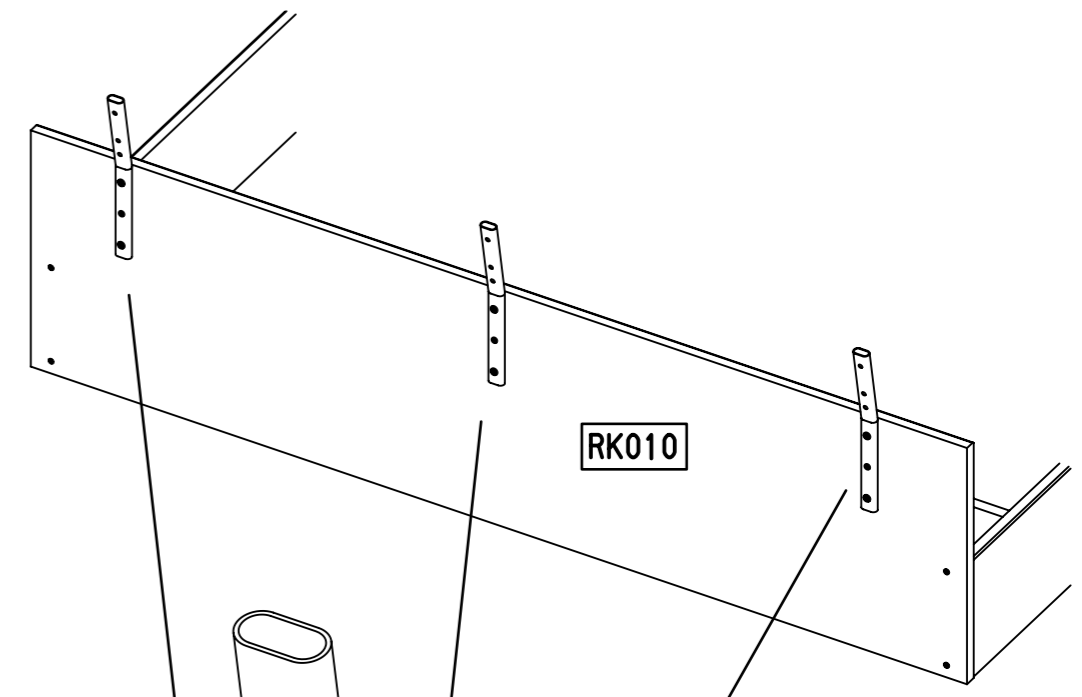
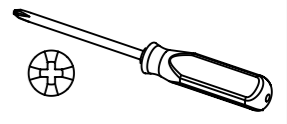
4.

2

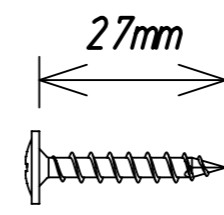
3x 252



4x27



RK010



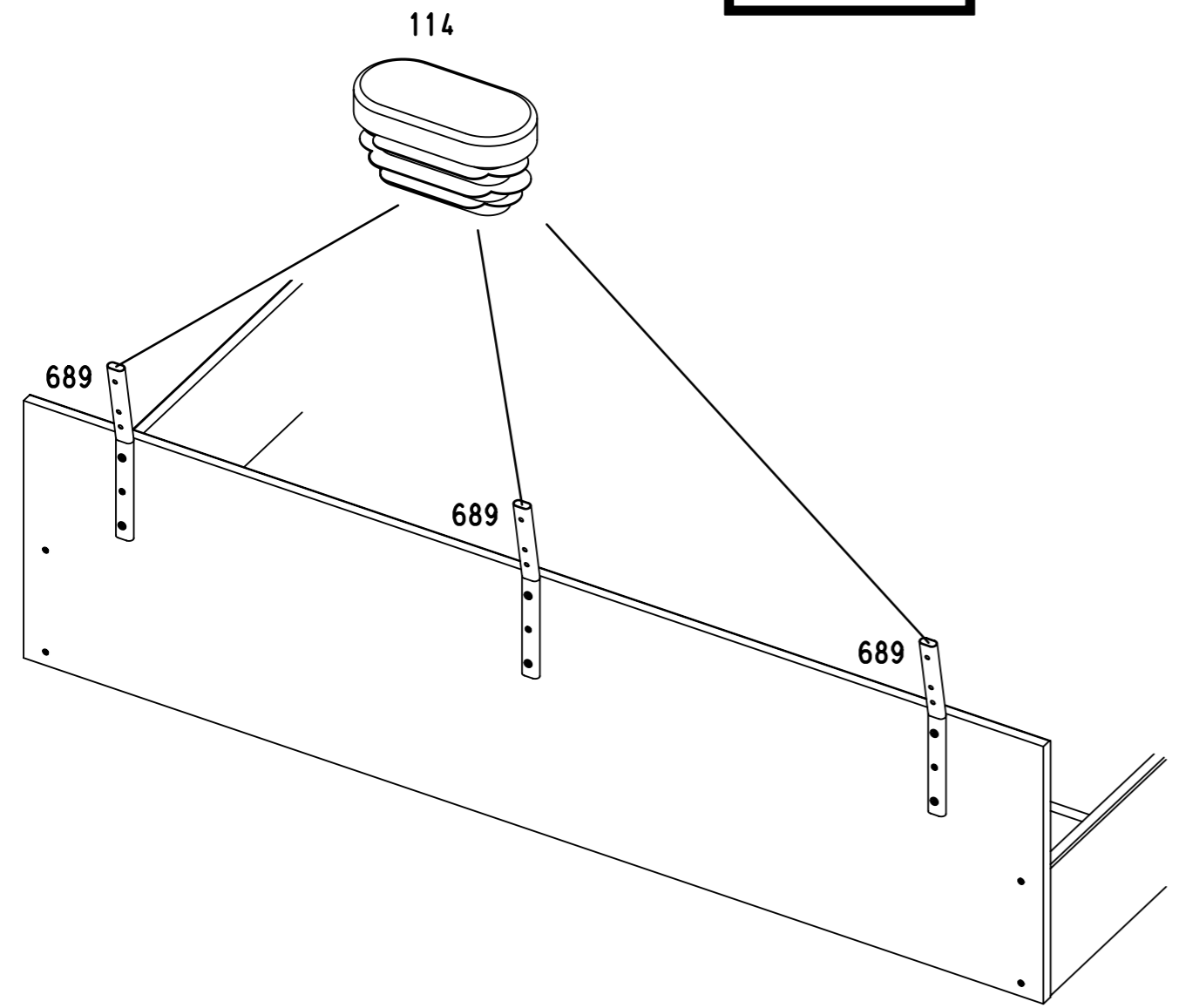
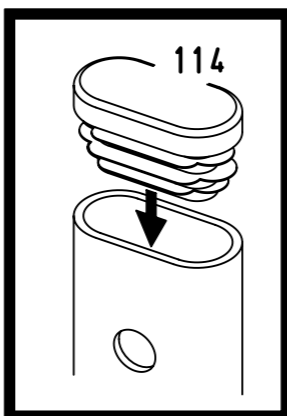
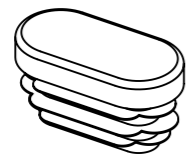
27mm

252

689

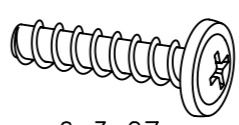
3

3x 114

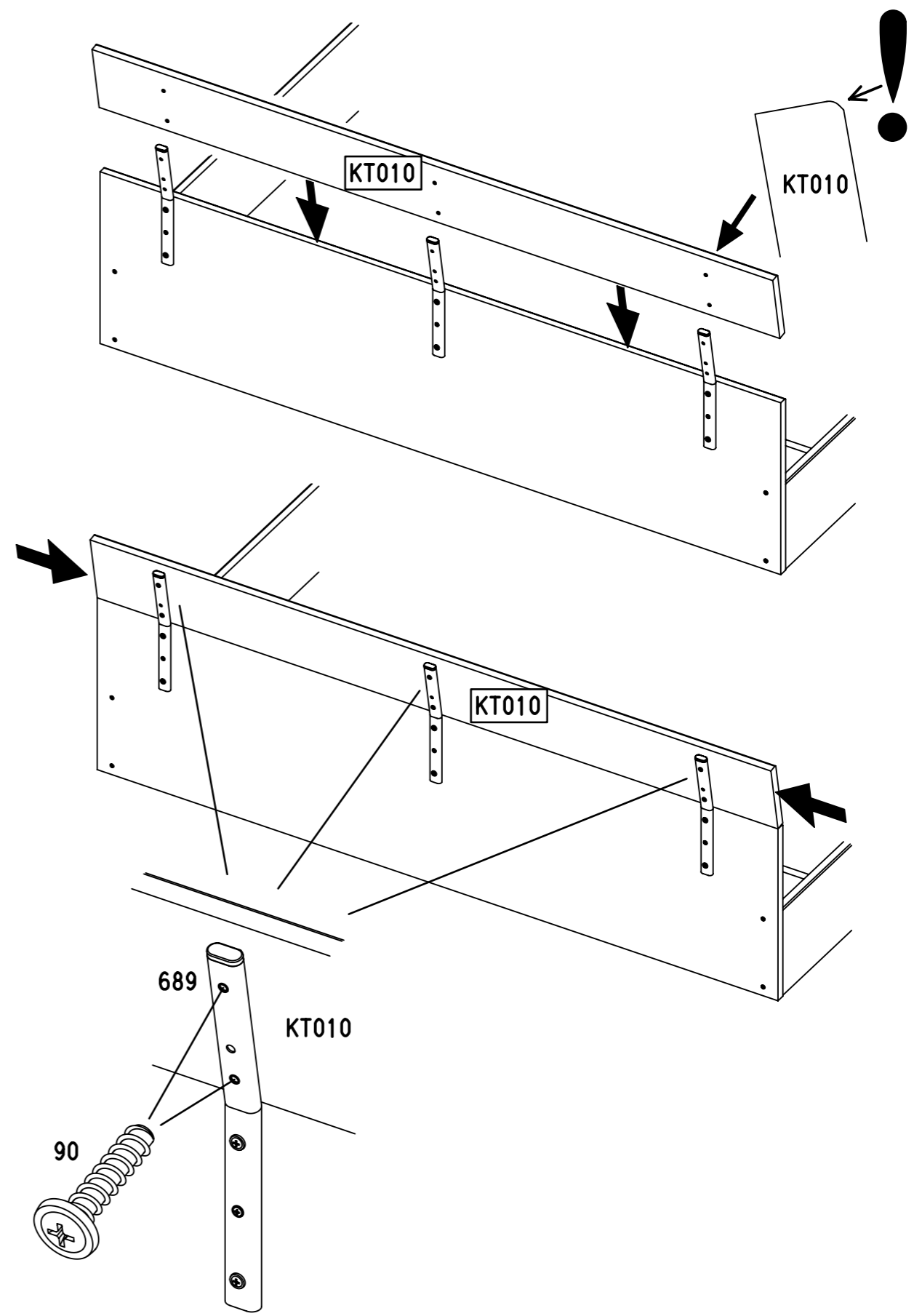
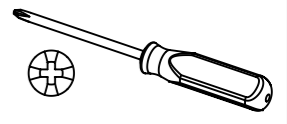


4

6x 90

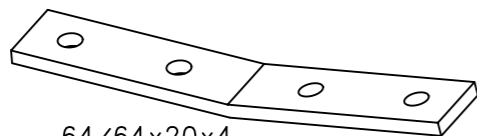


6,3x27



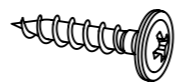
5

4x 855

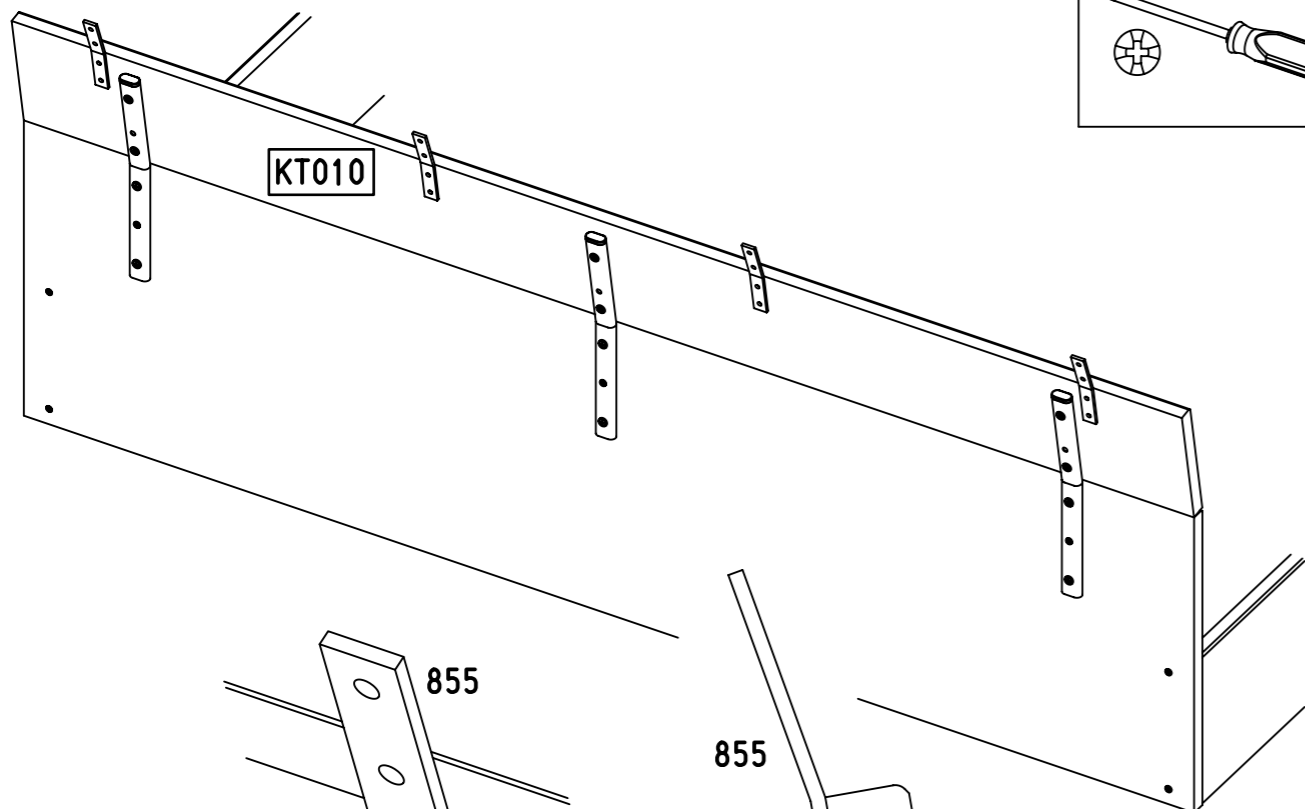
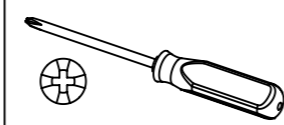


64/64x20x4

8x 243



4x21



KT010

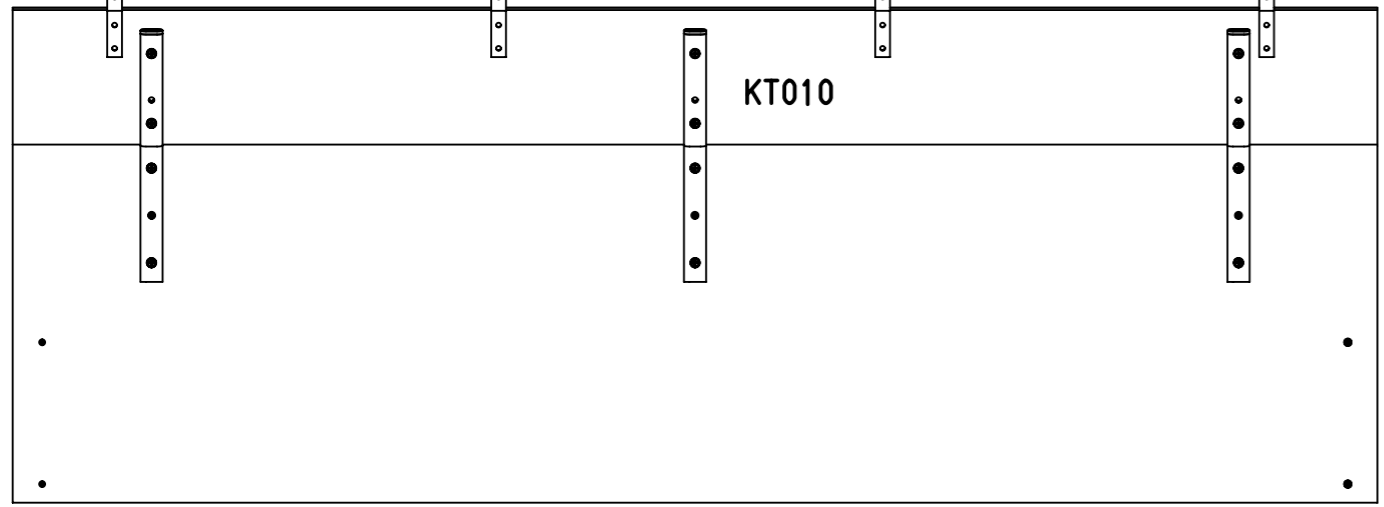
855

855

KT010

KT010

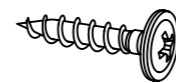
243



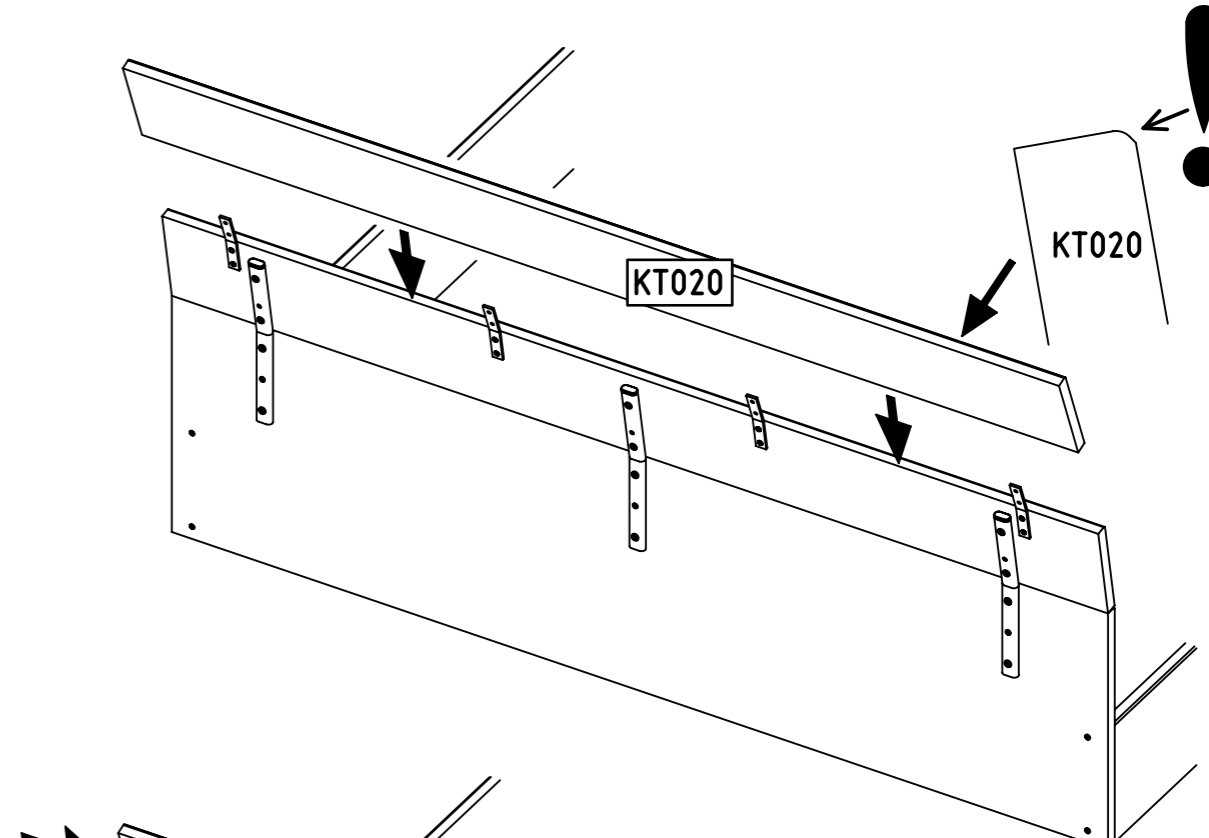
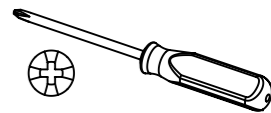
KT010

6

8x 243

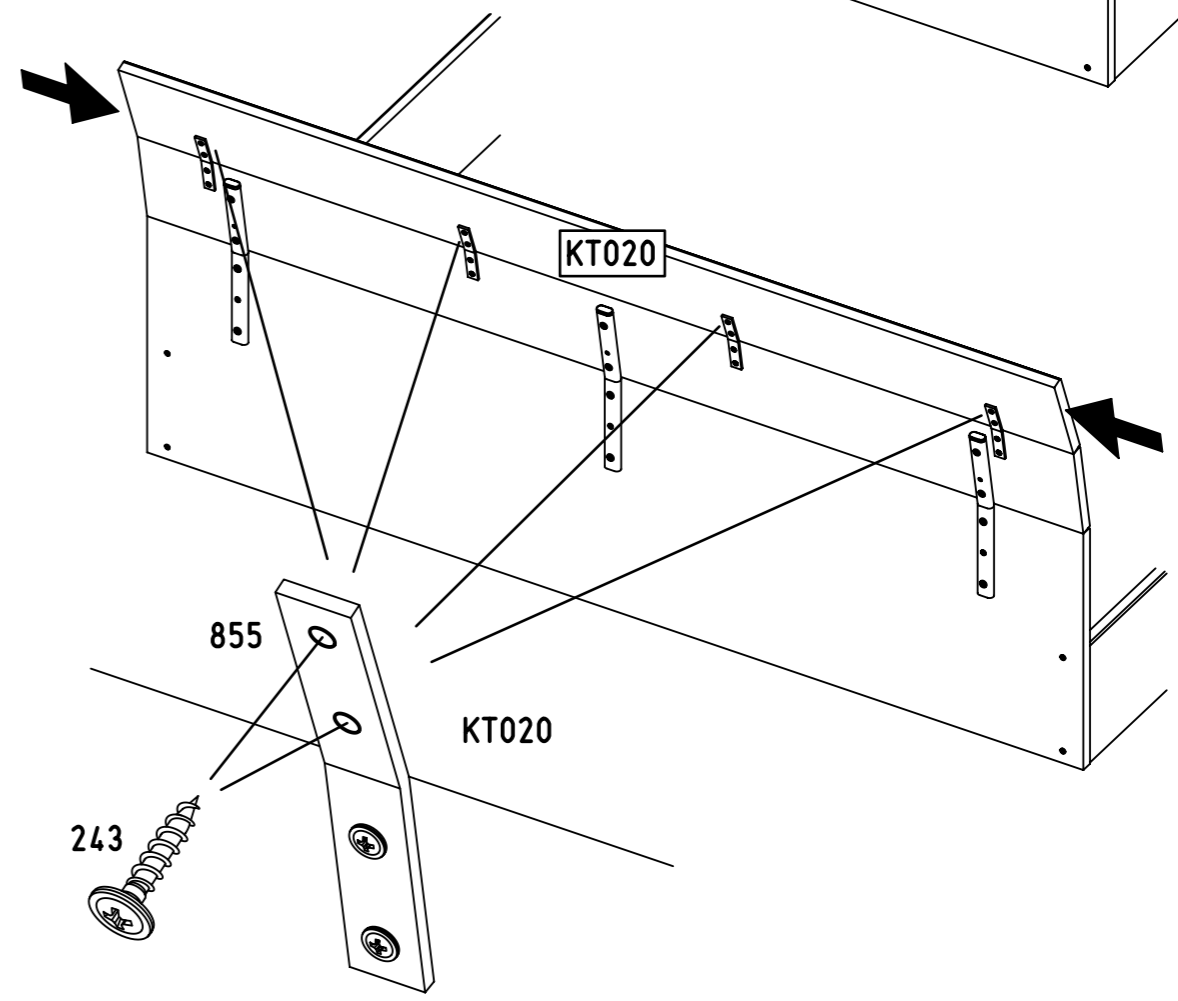


4x21



KT020

KT020



KT020

855

KT020

243