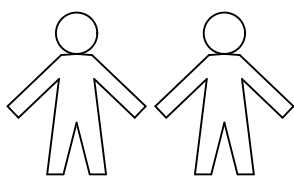
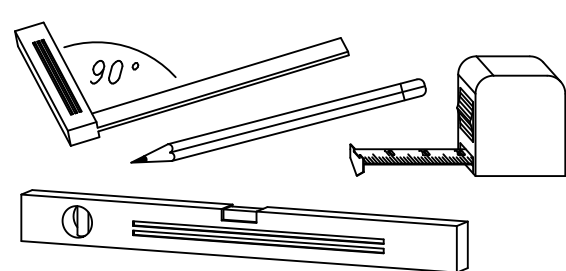
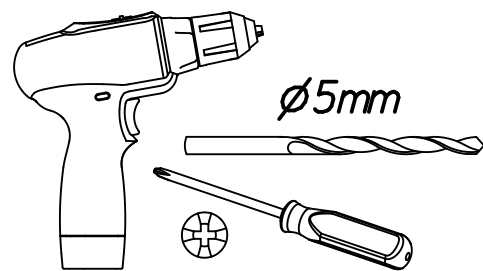


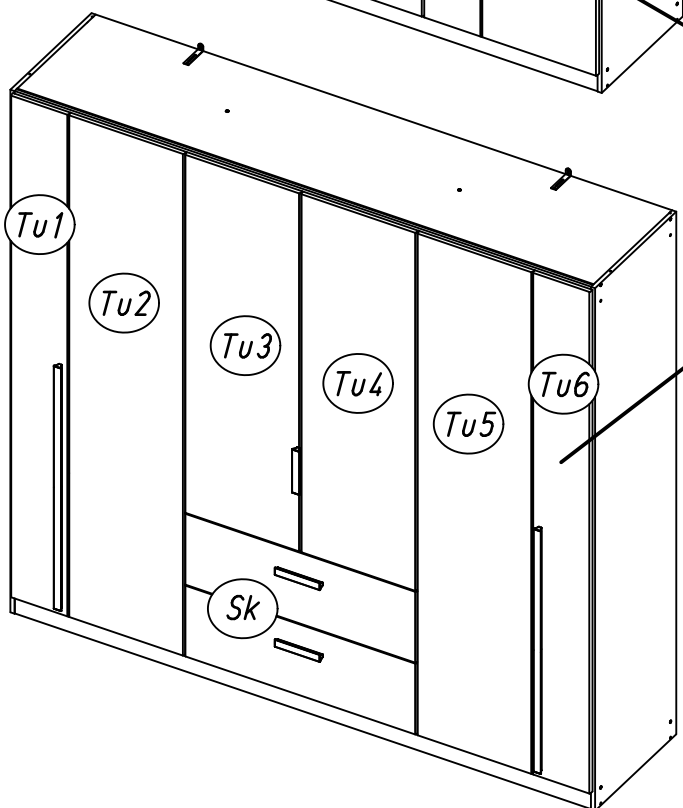
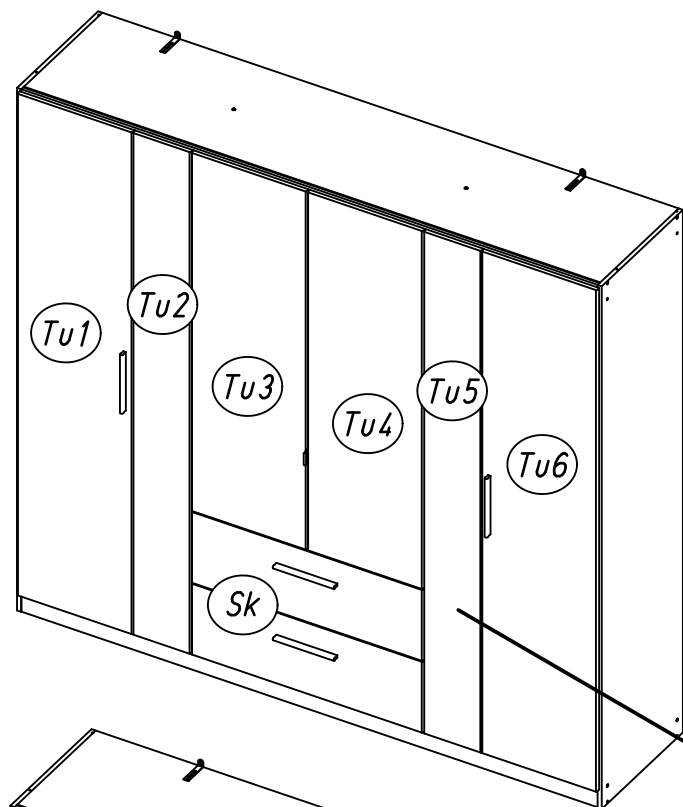
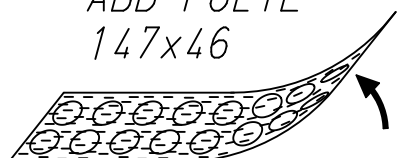
1.

M1834_03

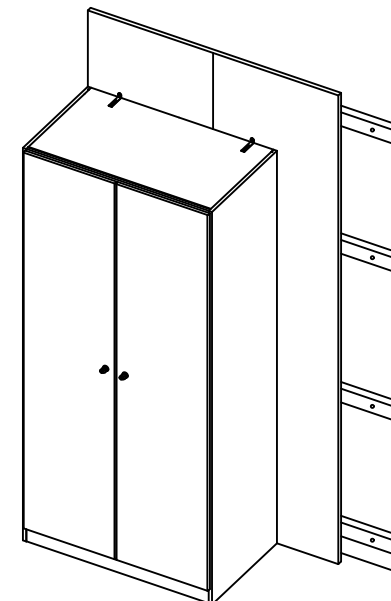
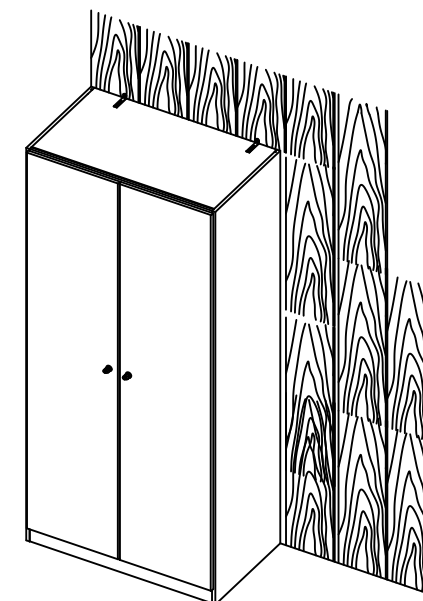
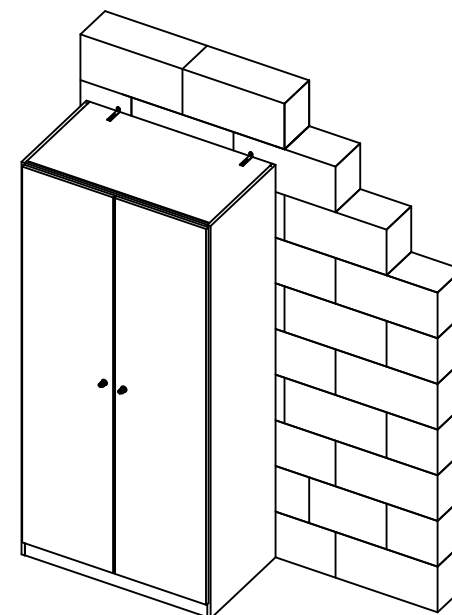
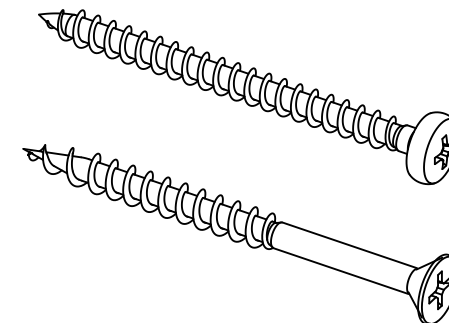
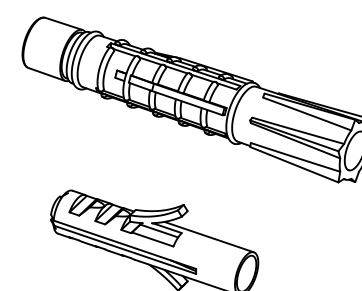
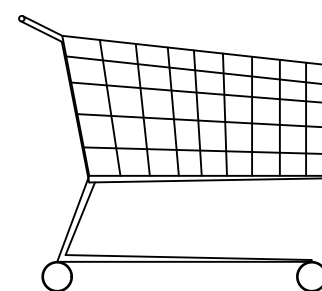
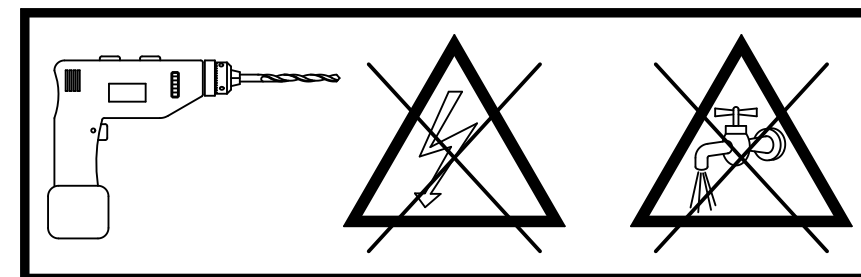
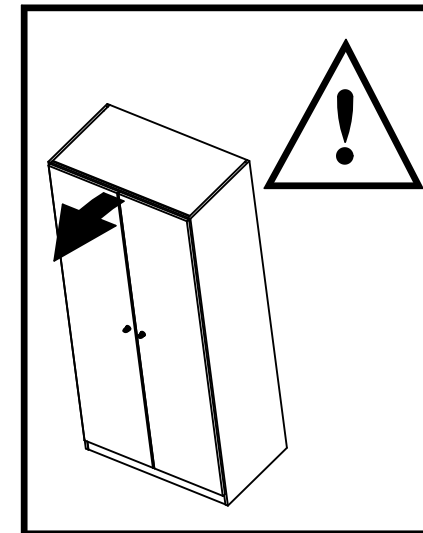
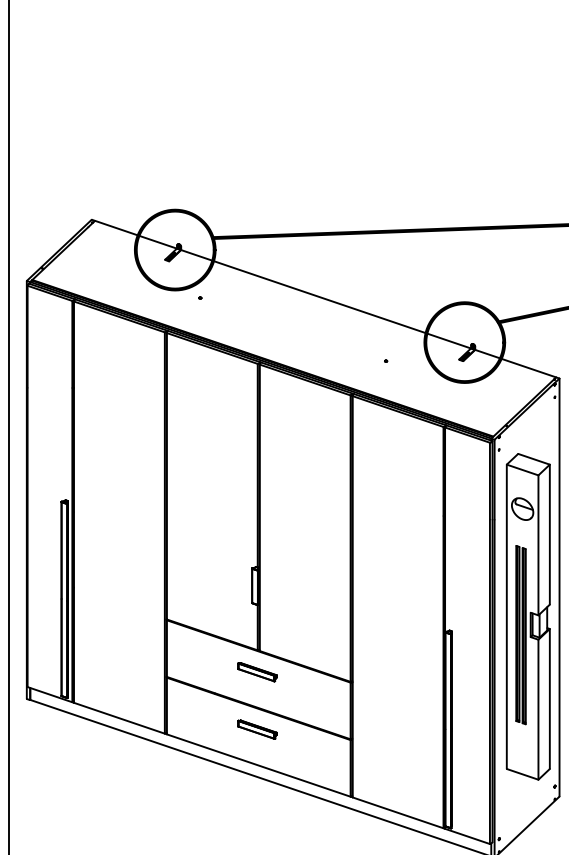
rauch

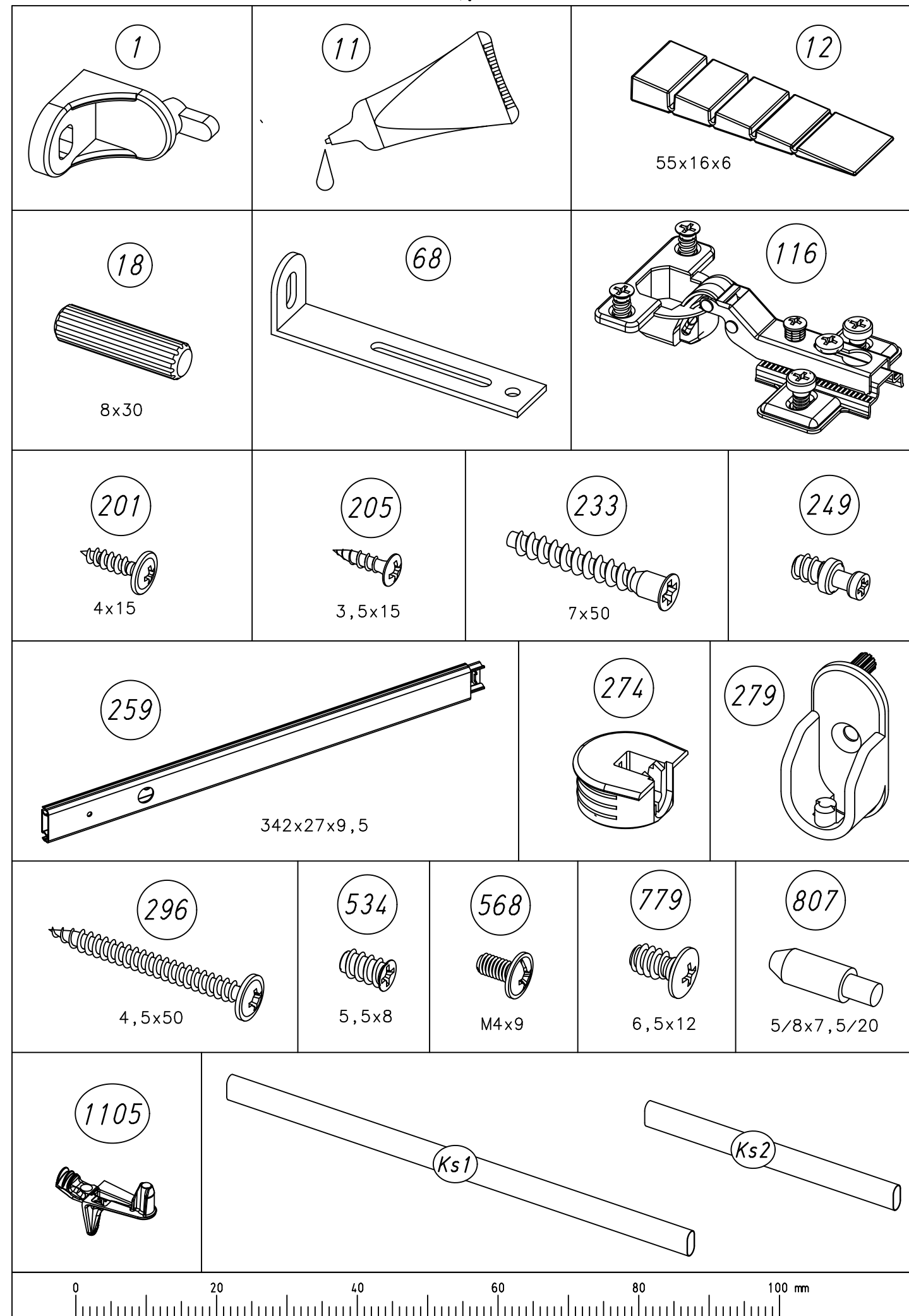
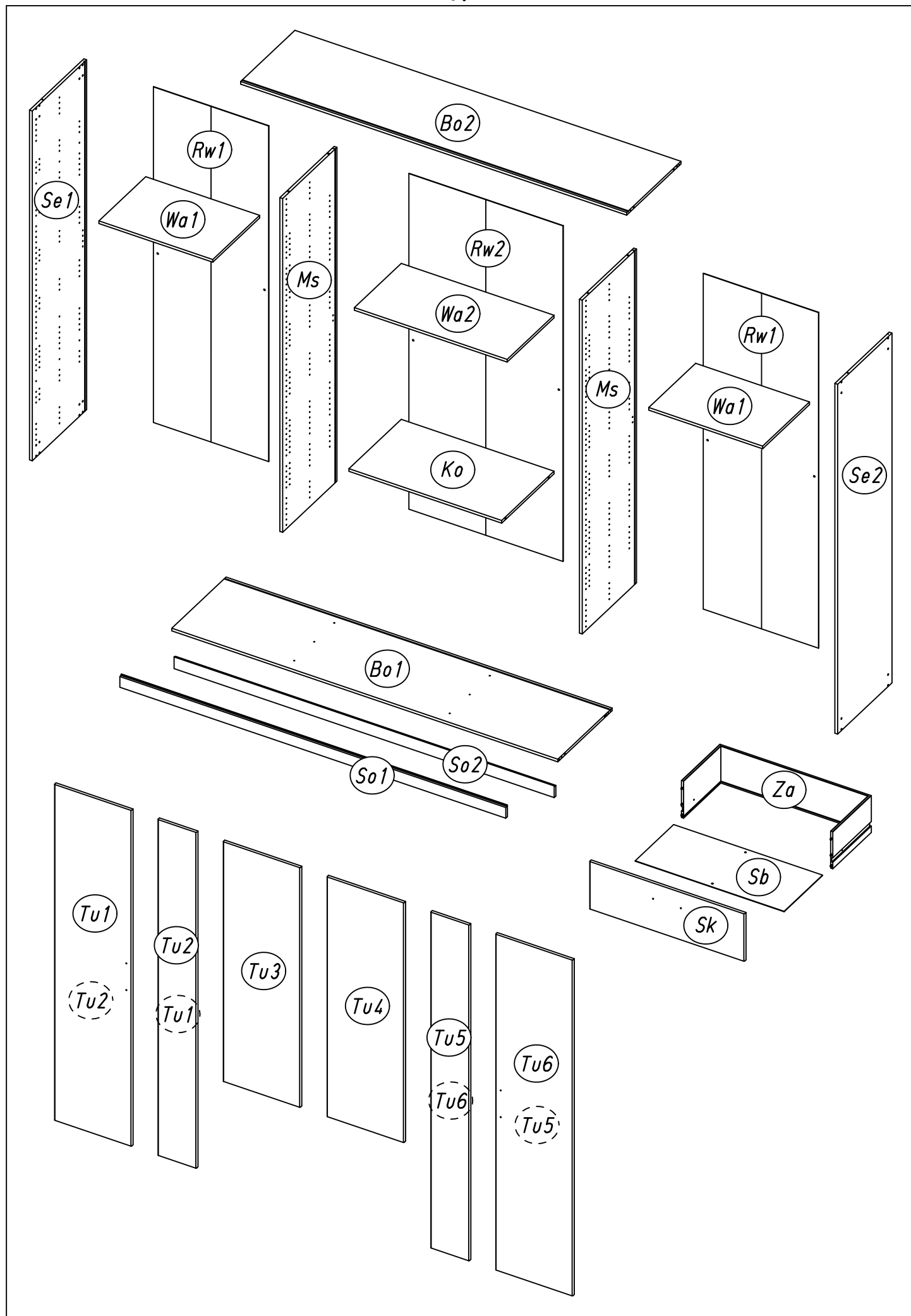


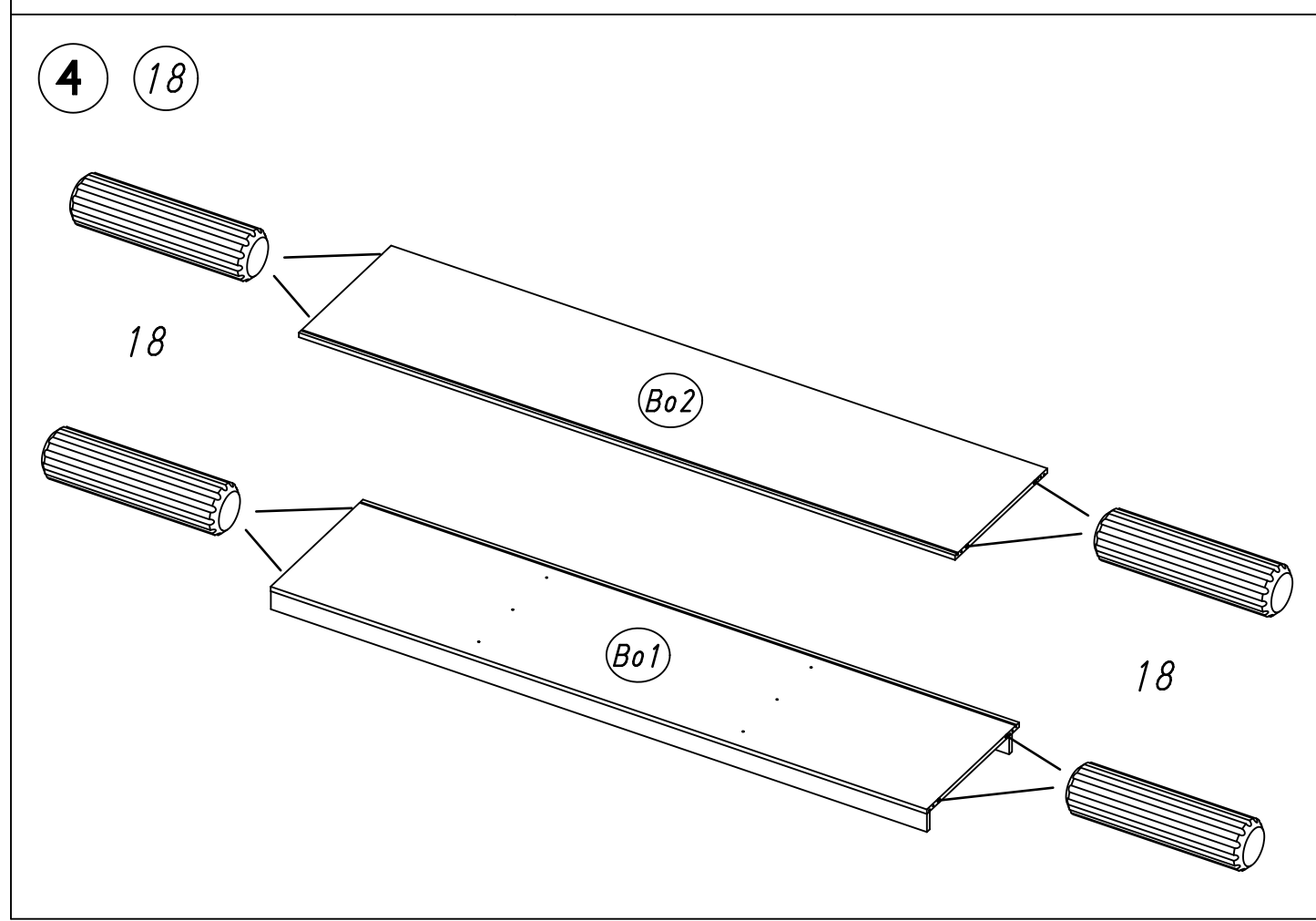
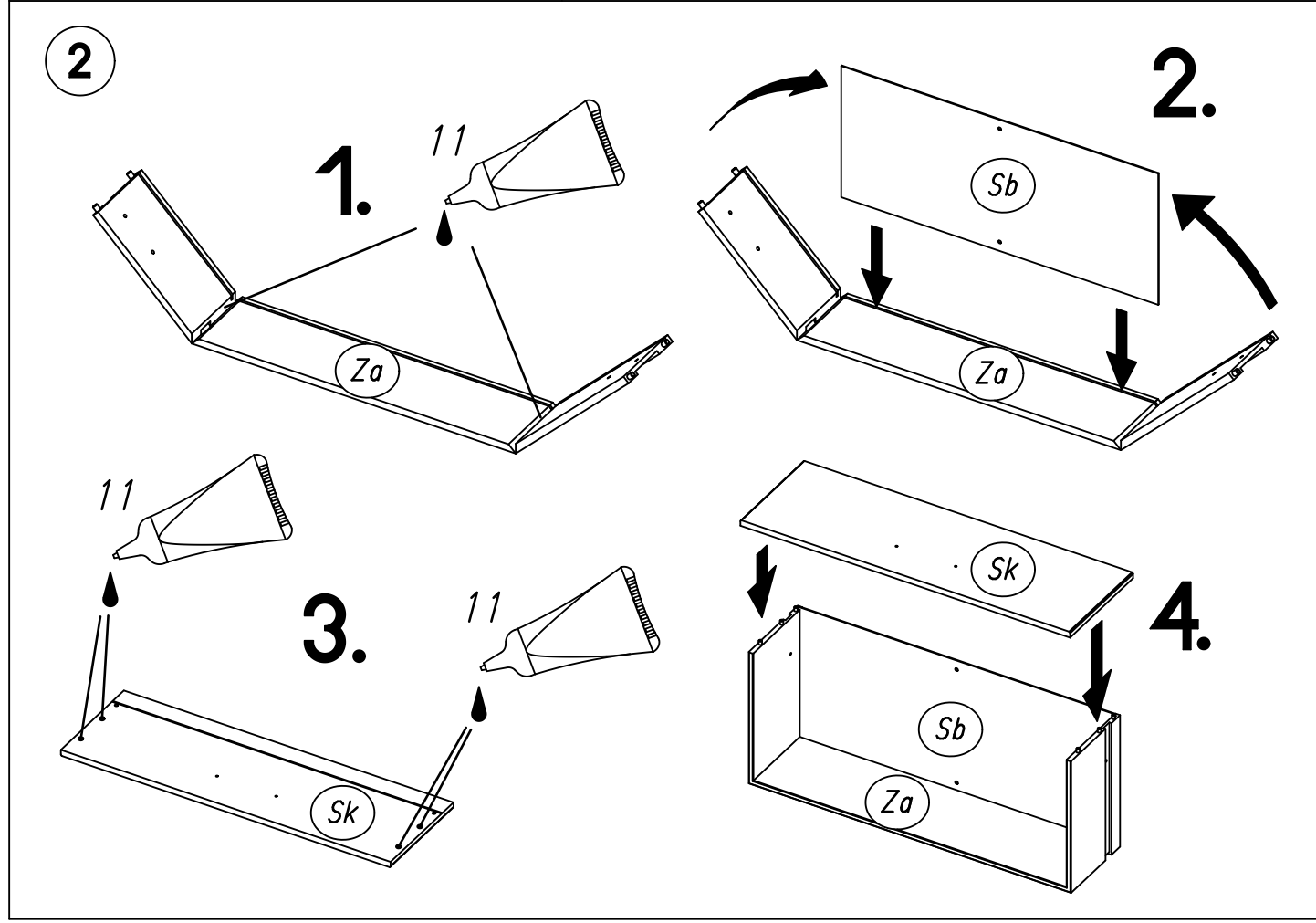
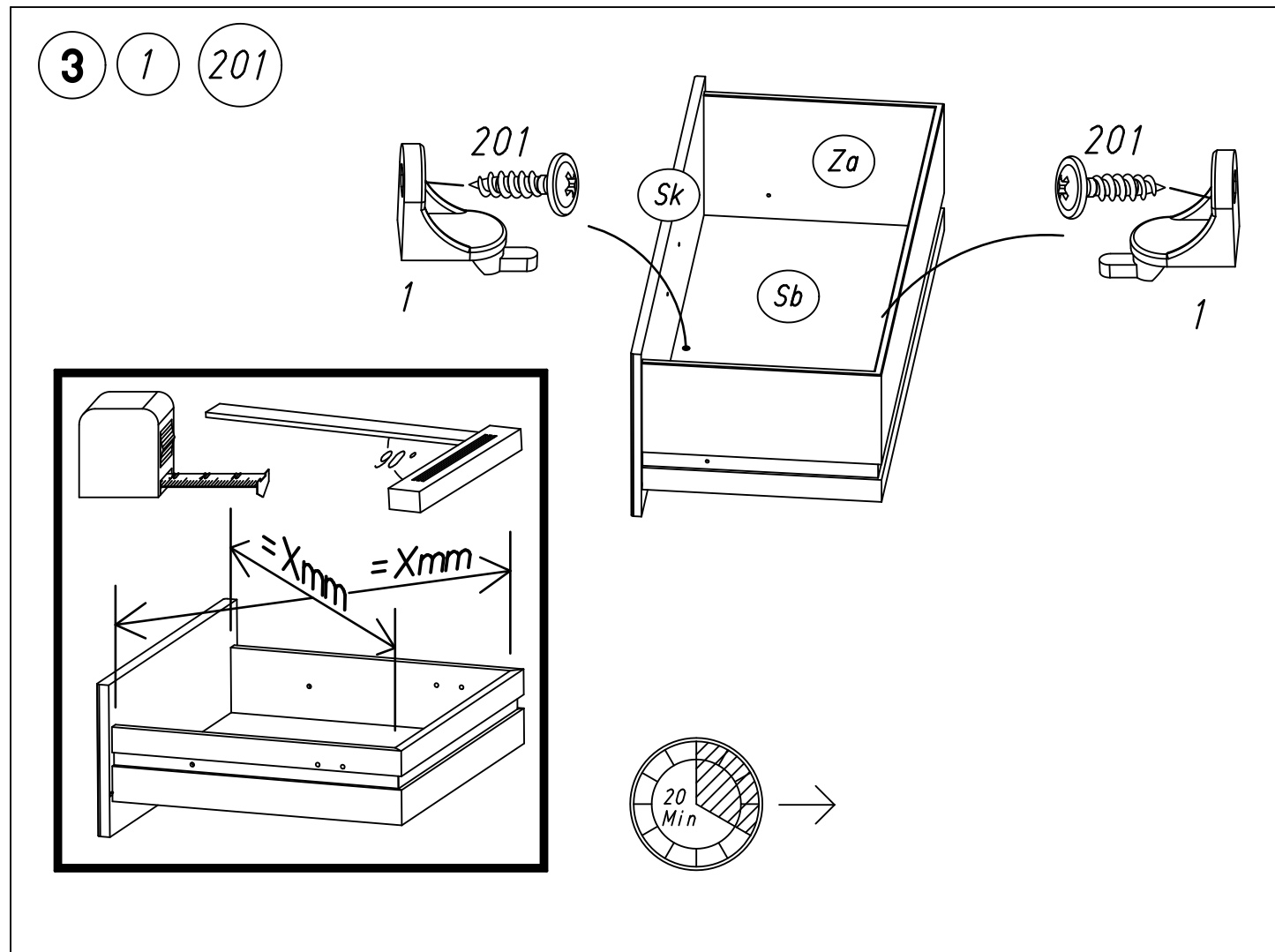
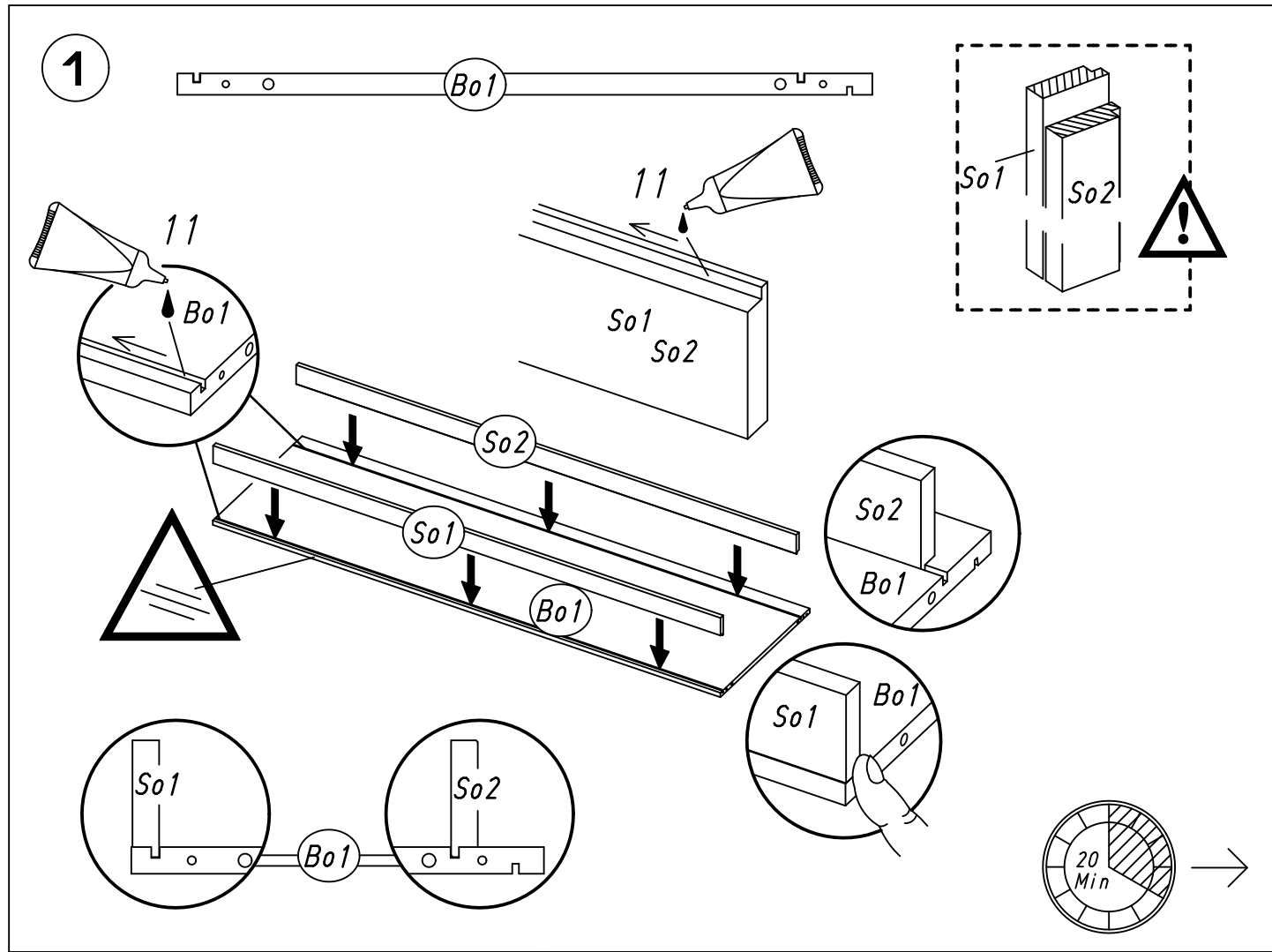
ABD-FOLIE
147x46



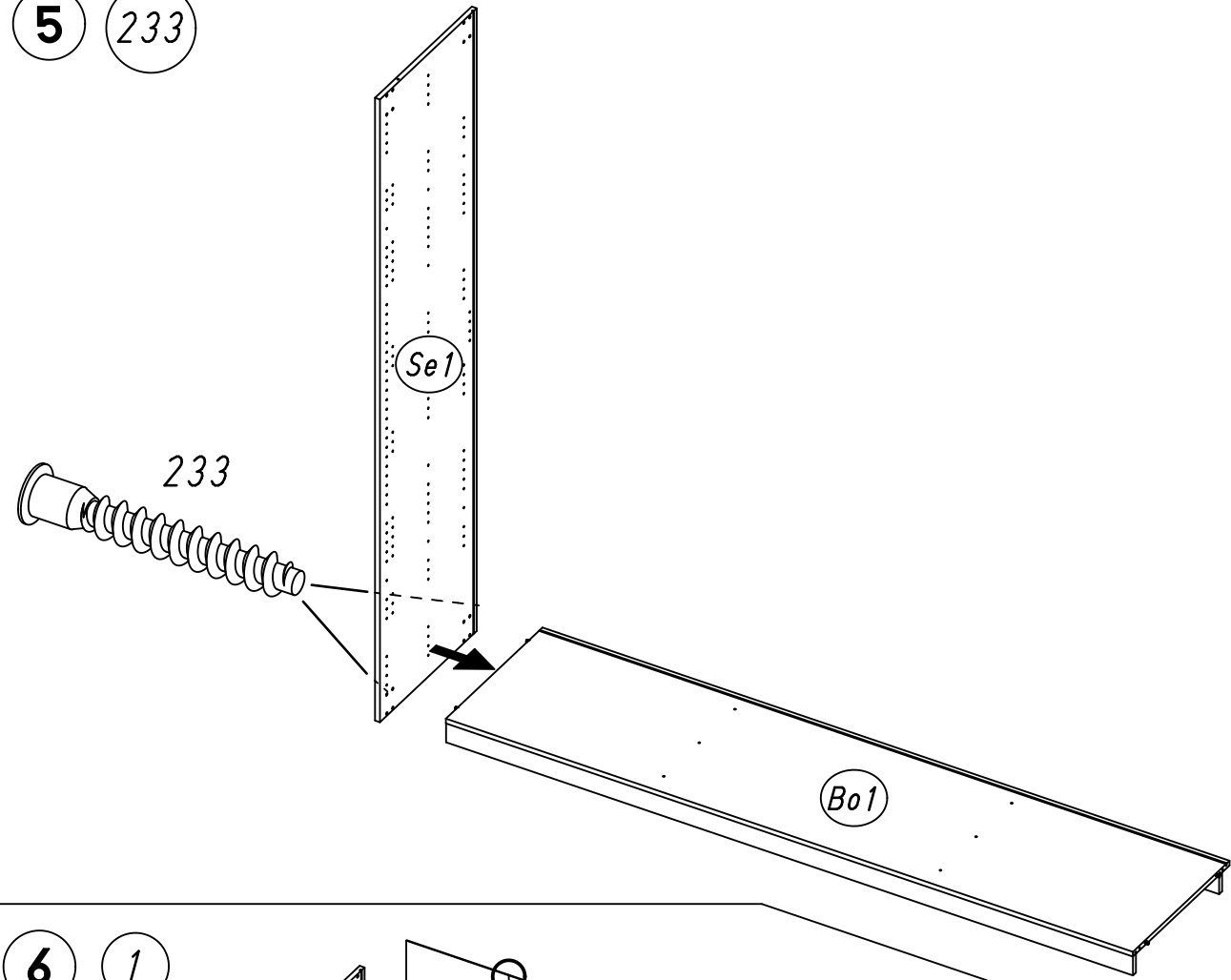
2.



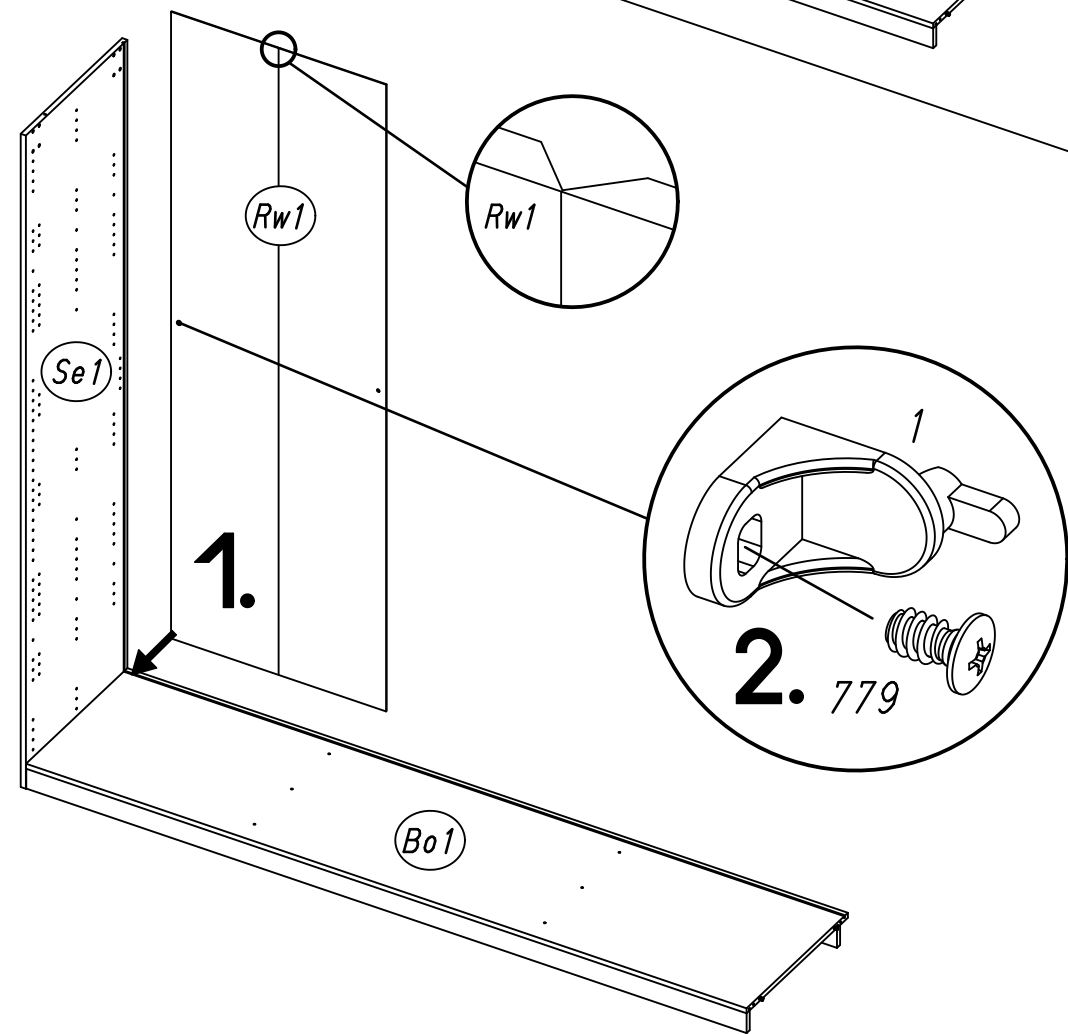




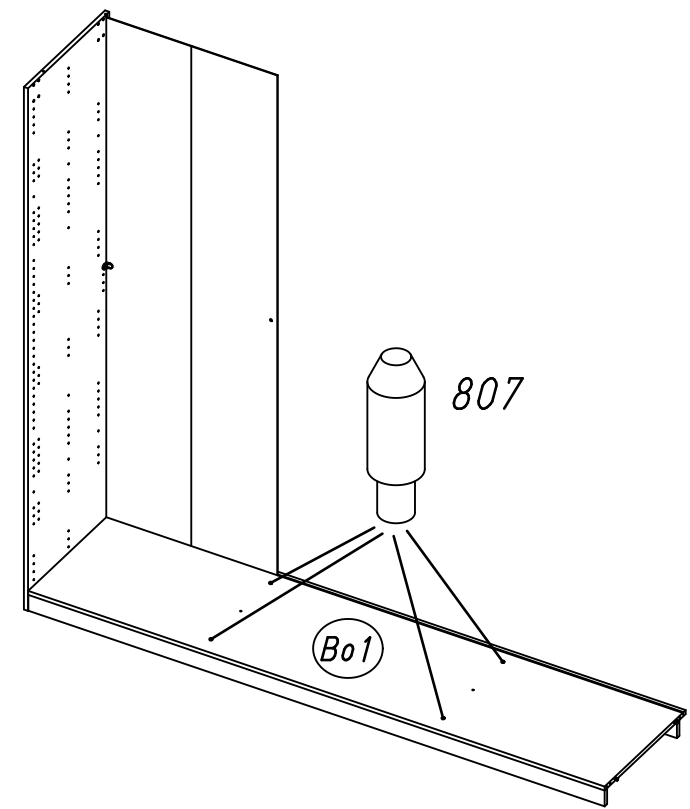
5 233



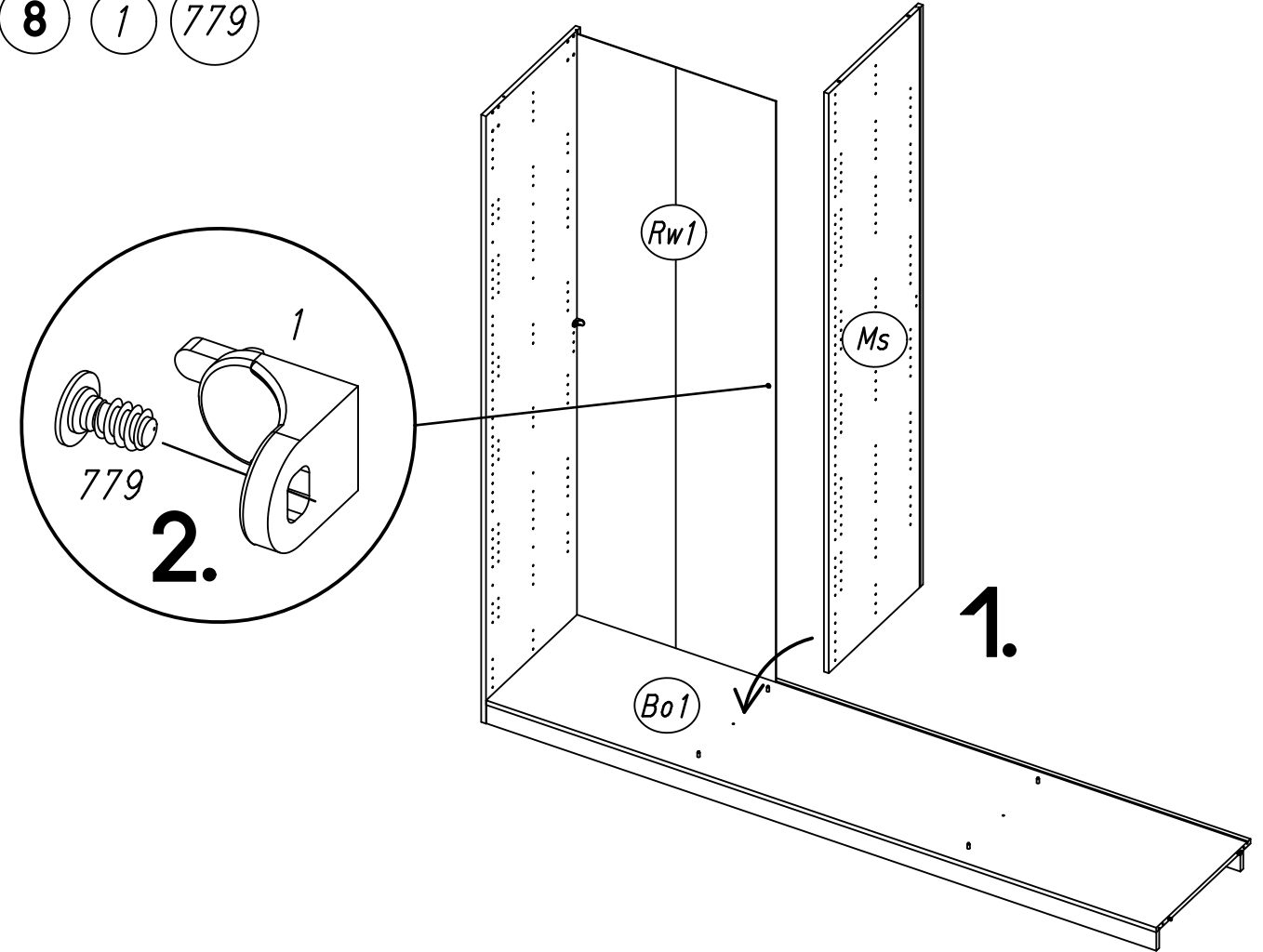
6 1 779



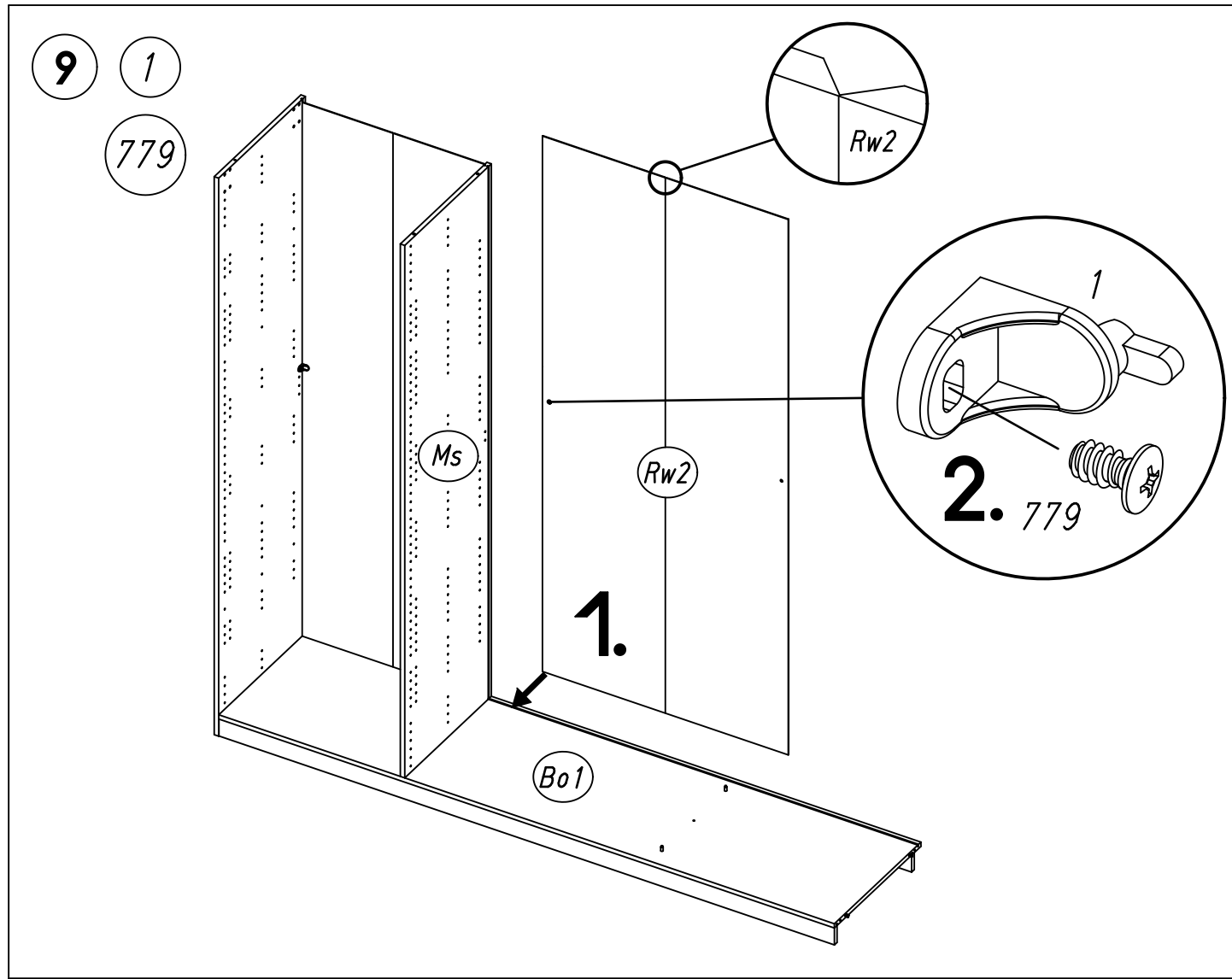
7 807



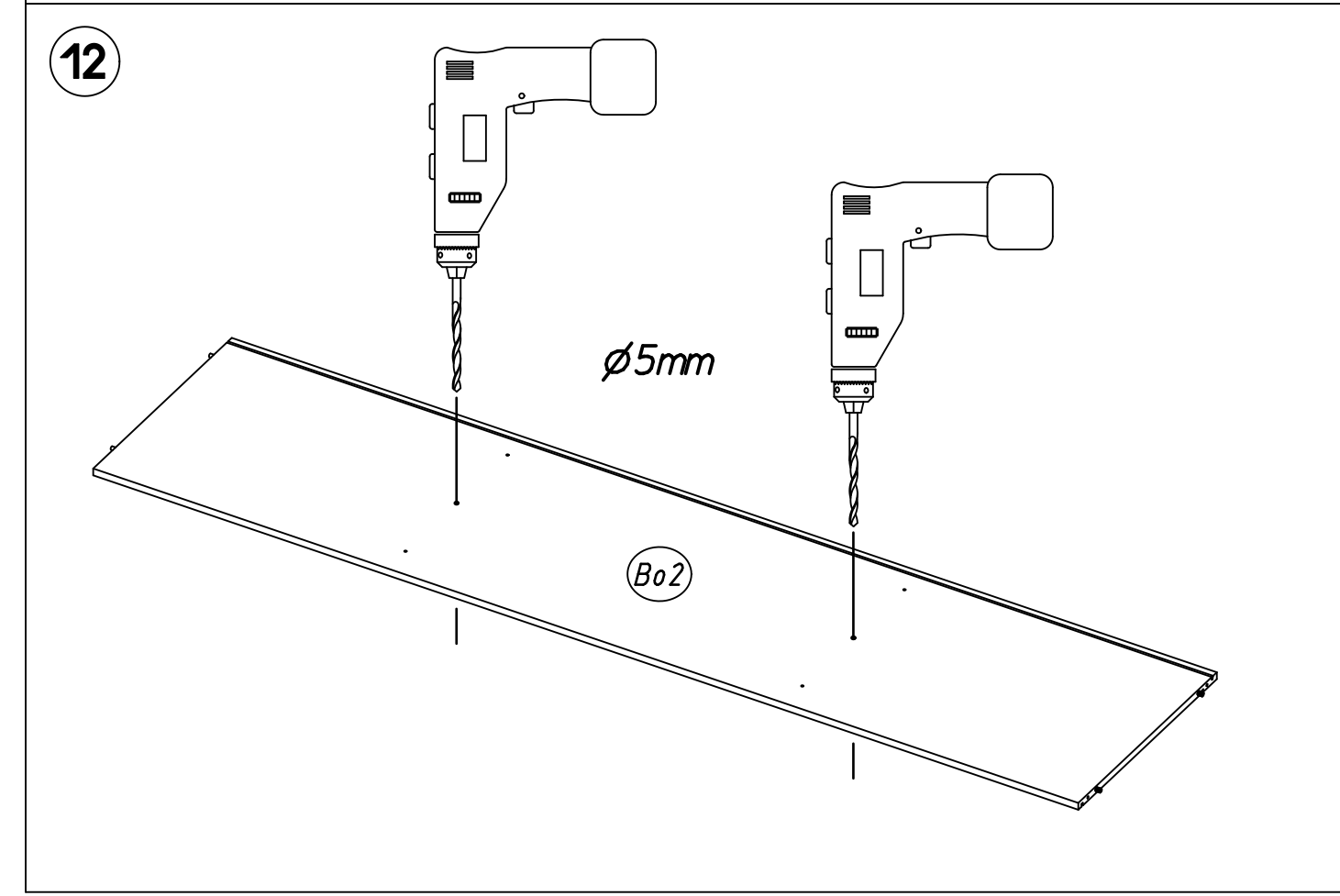
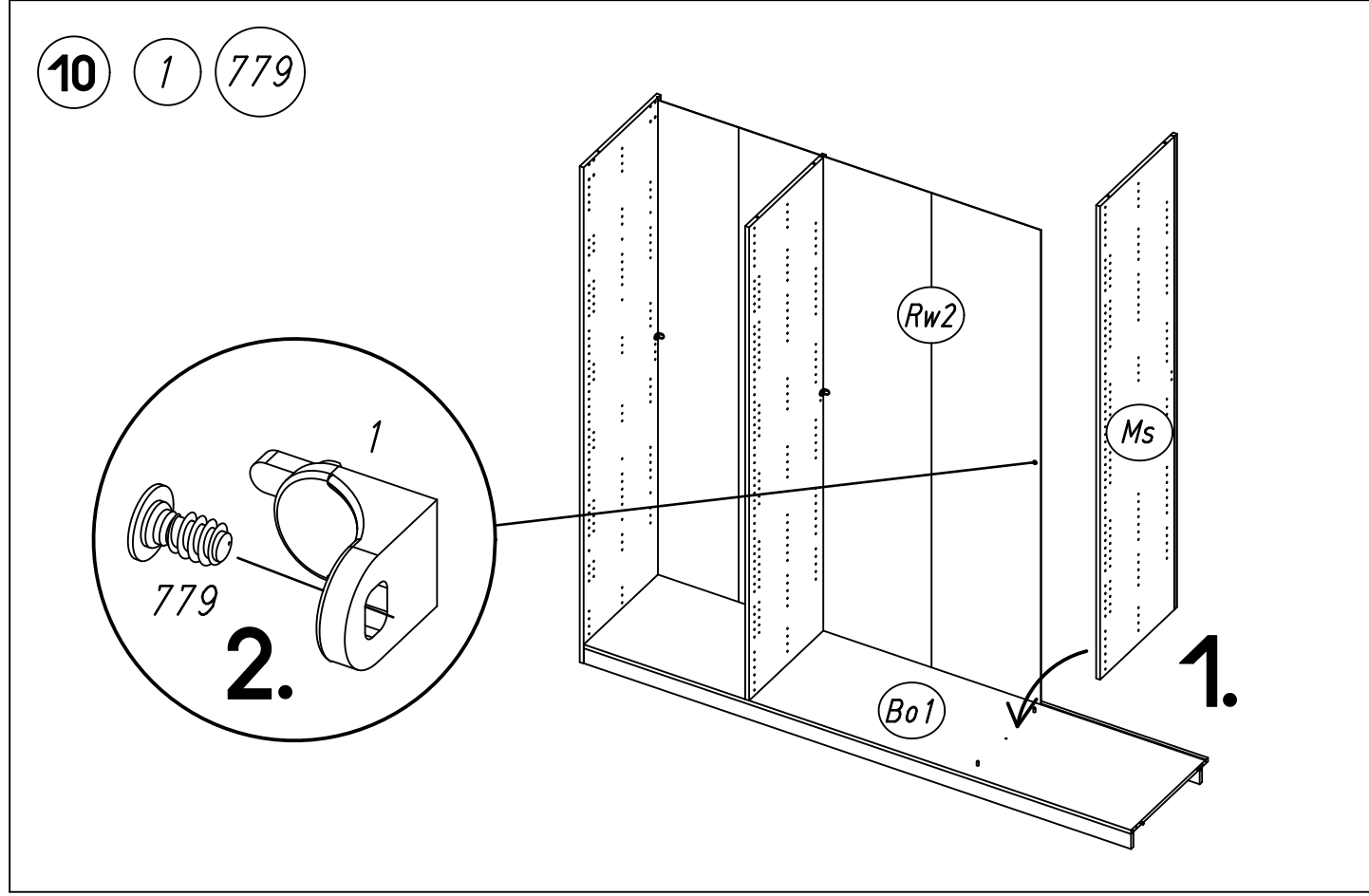
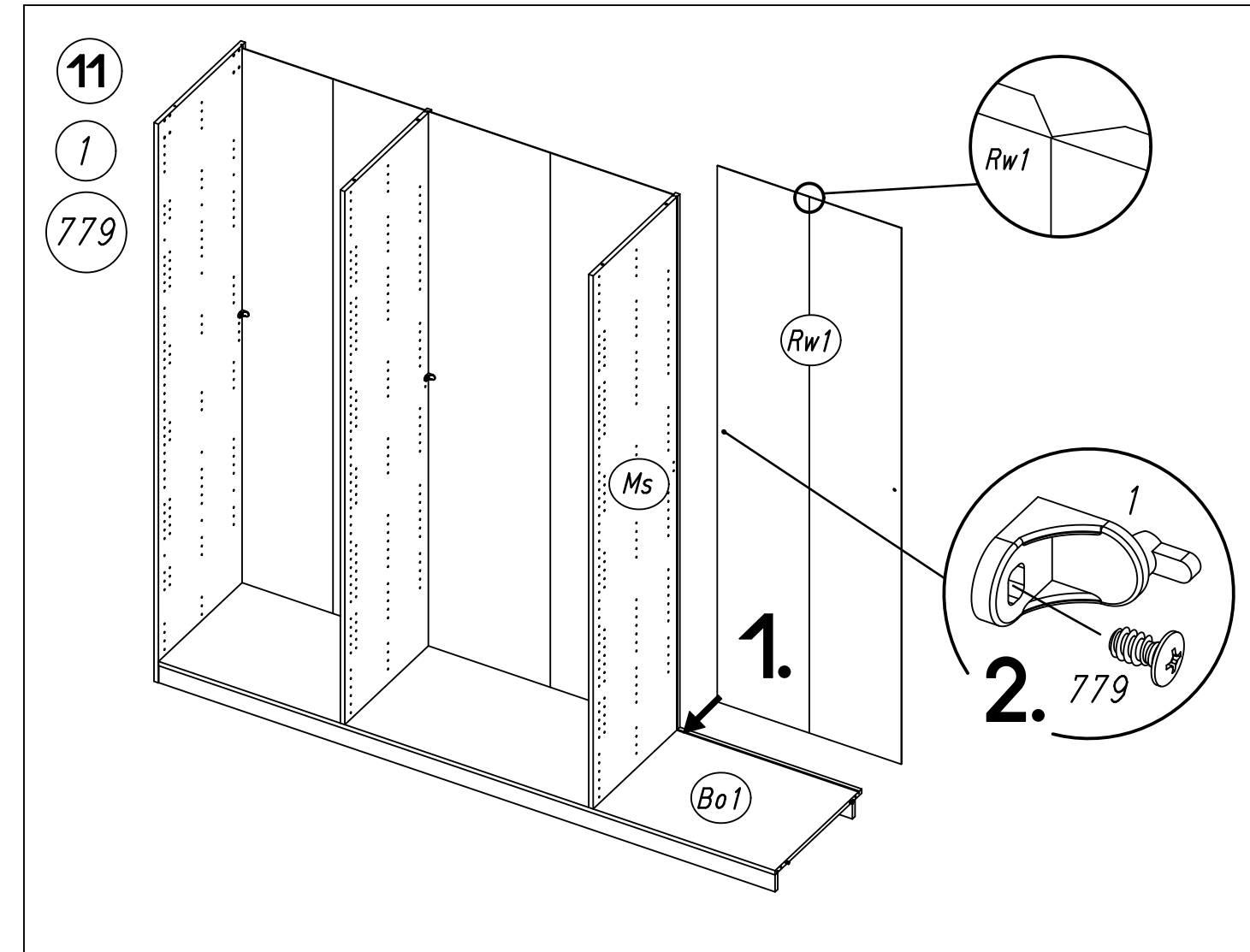
8 1 779



9.

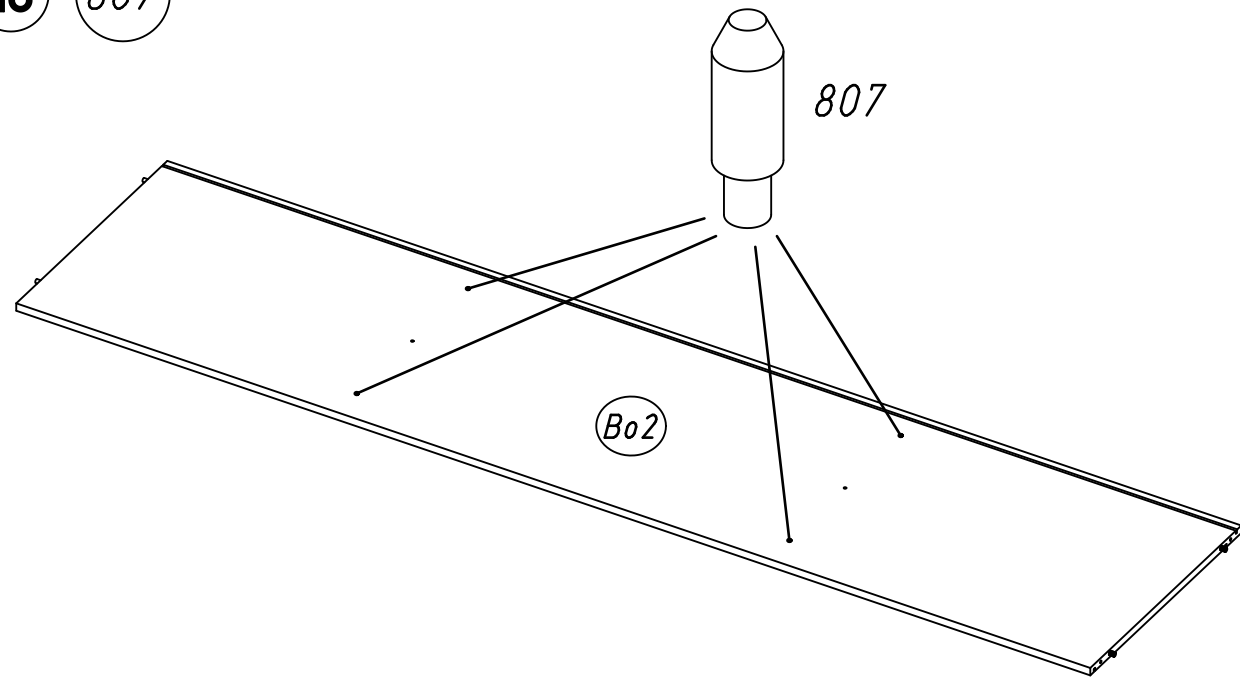


10.

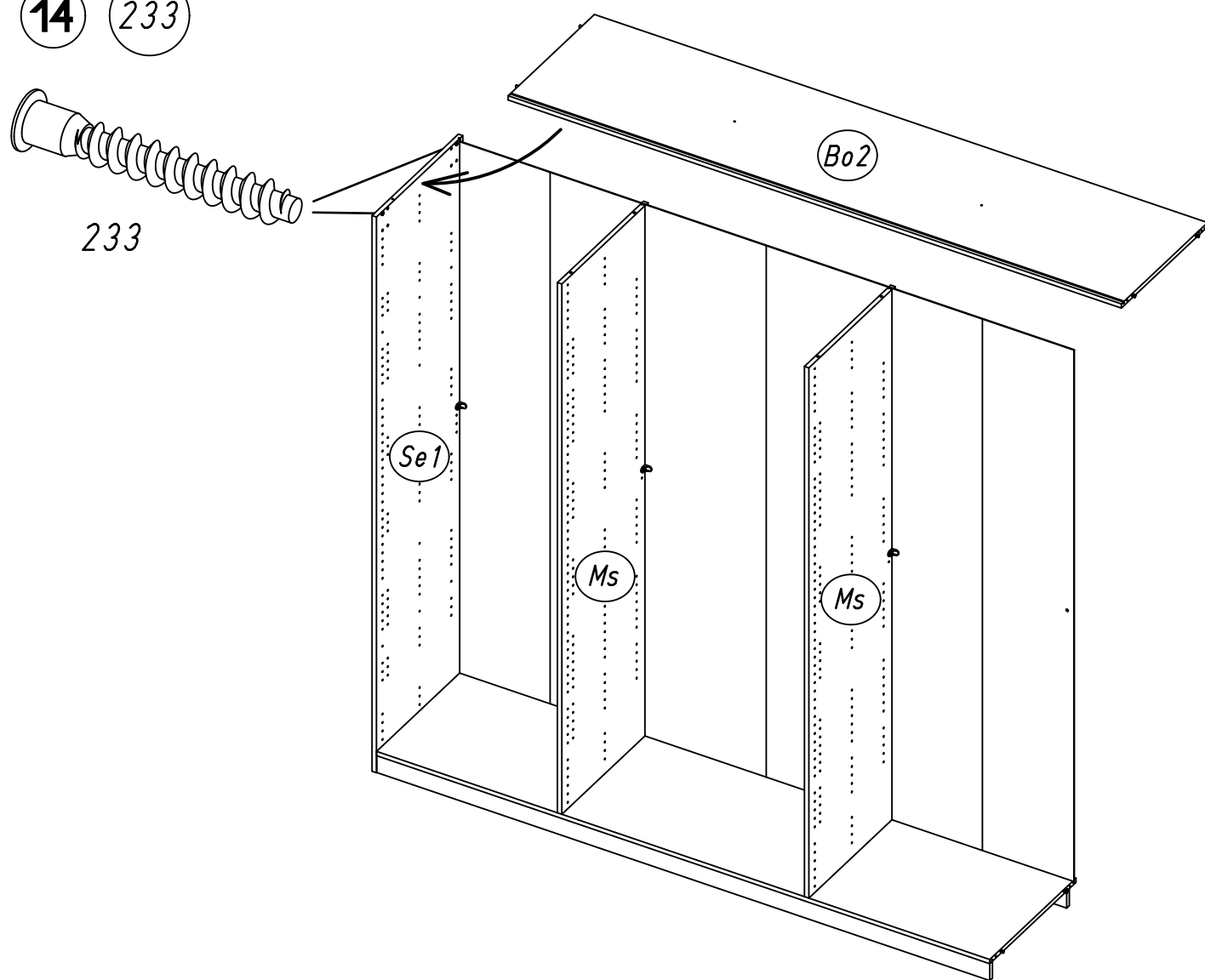


11.

13 807



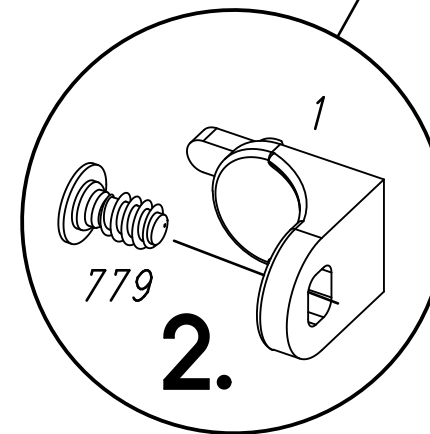
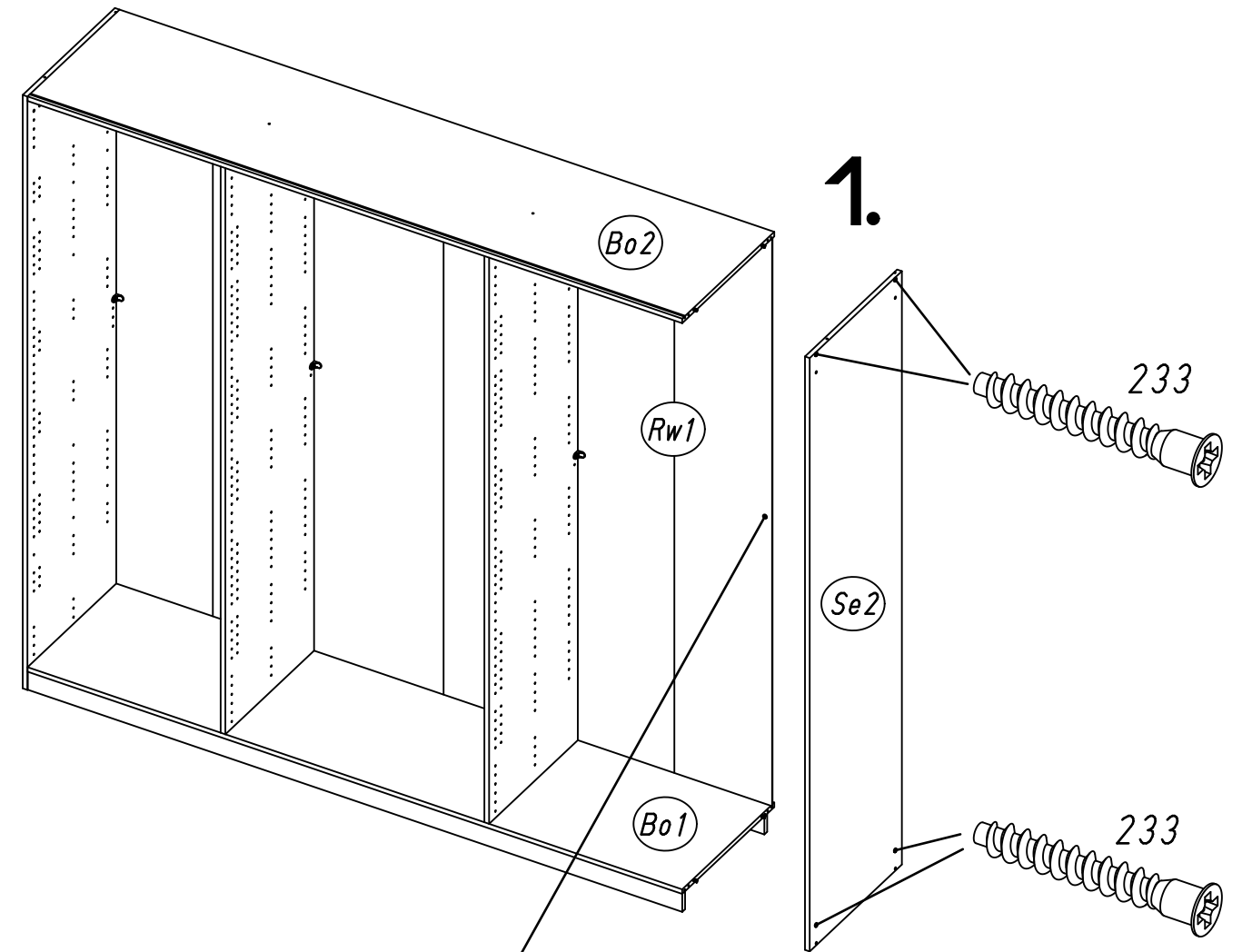
14 233



M1834

12.

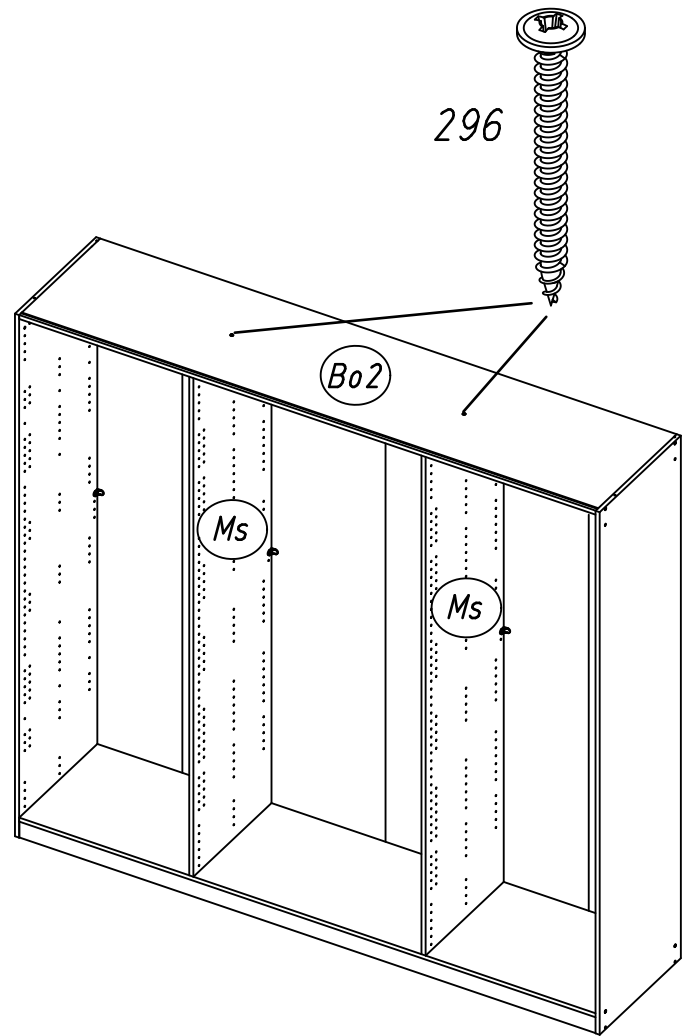
15 1 233 779



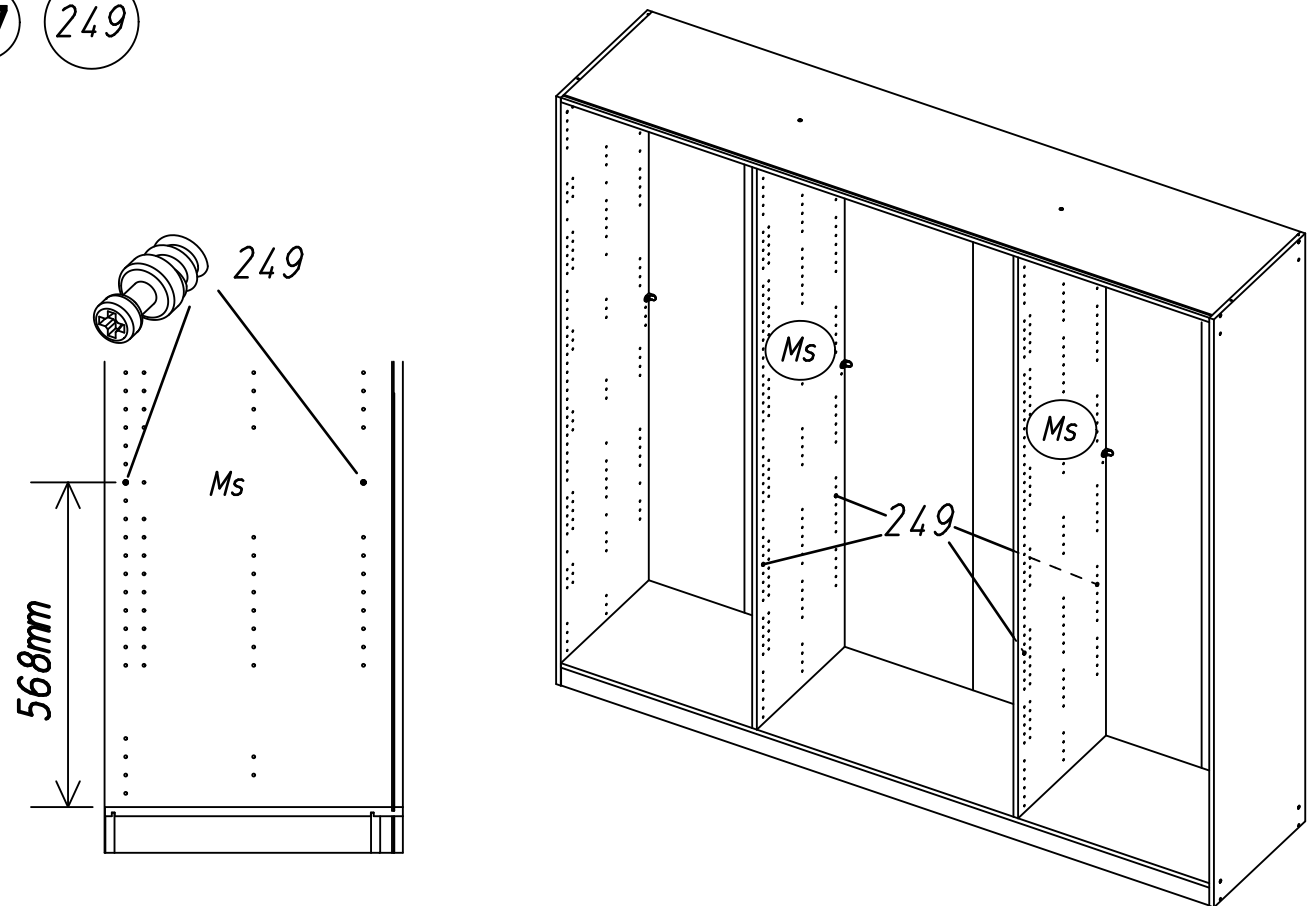
M1834

13.

16 296



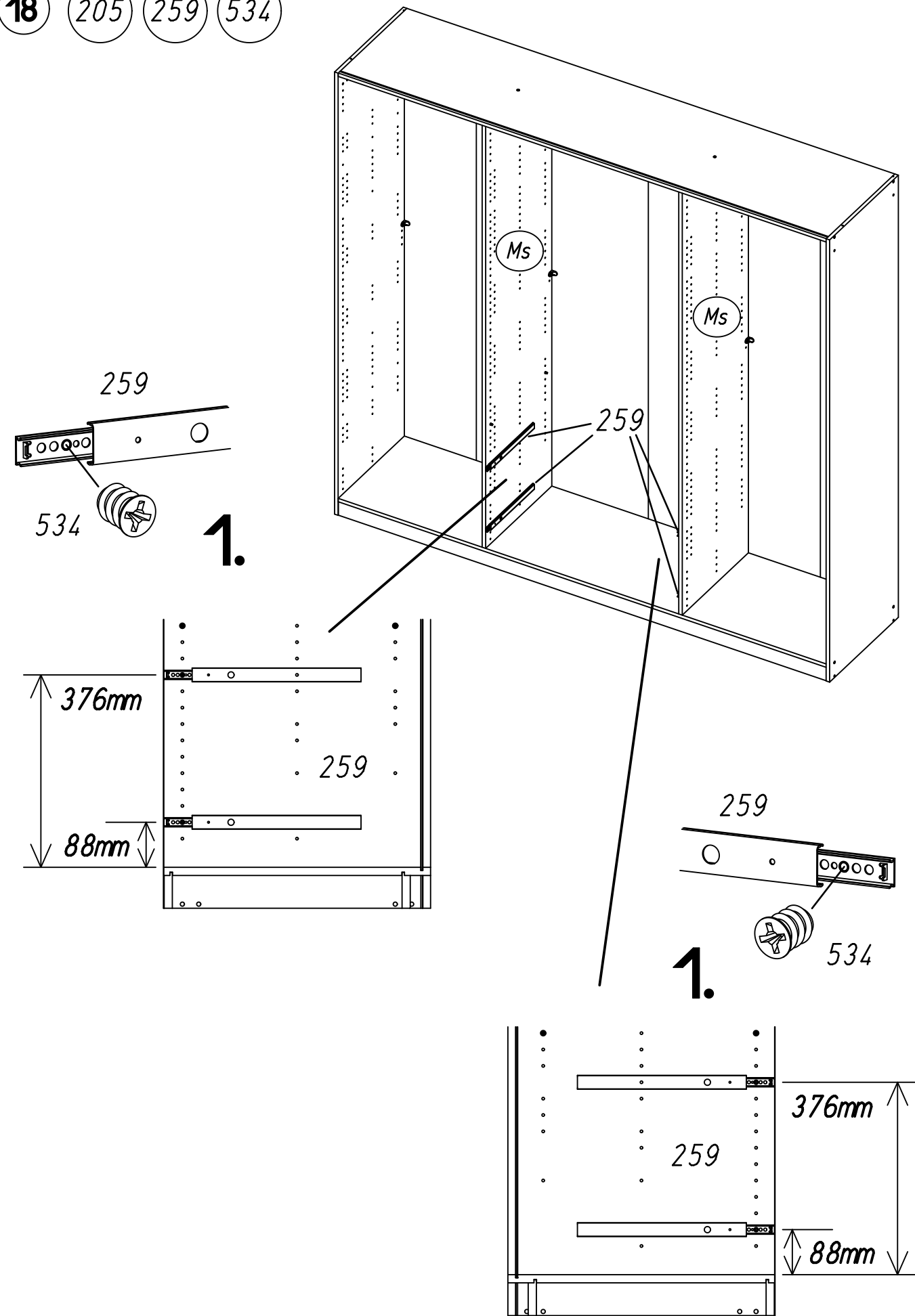
17 249



M1834

14.

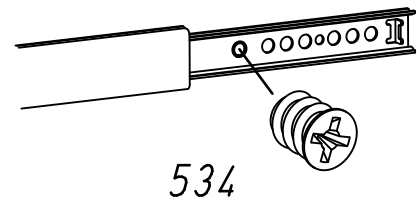
18 205 259 534



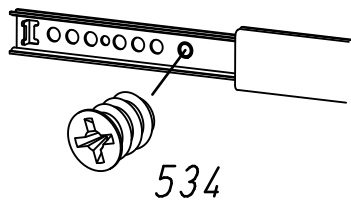
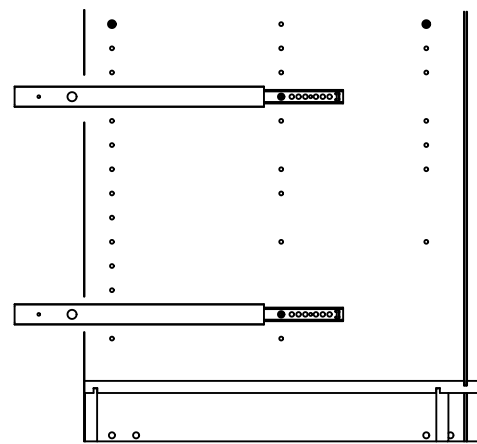
M1834

18

2.

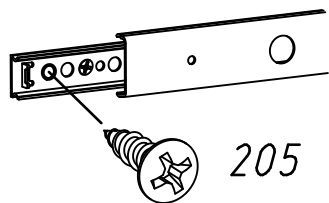


534

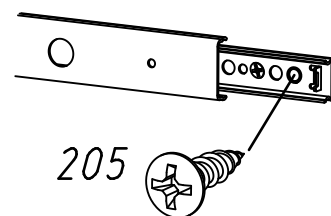
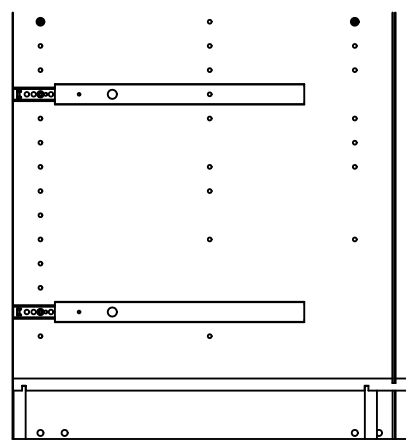


534

3.



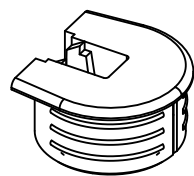
205



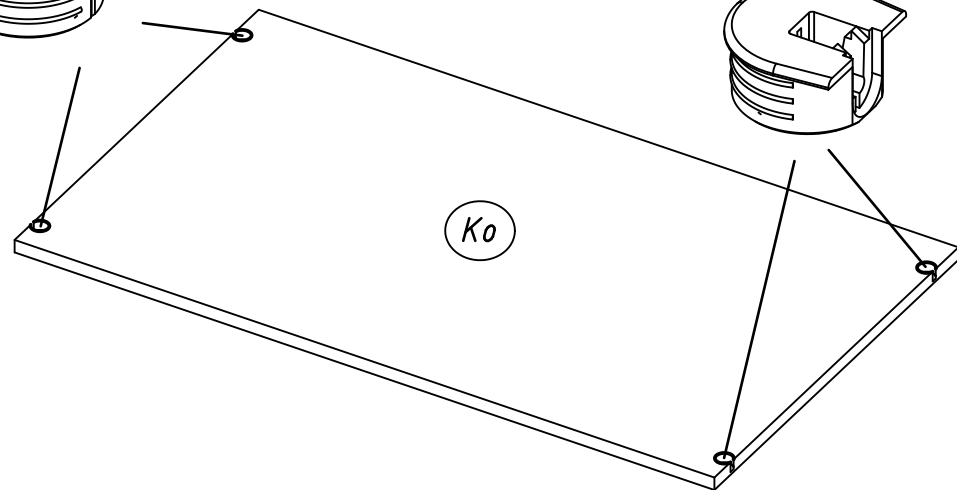
205

19

274

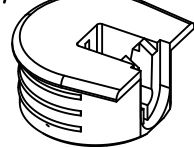


274

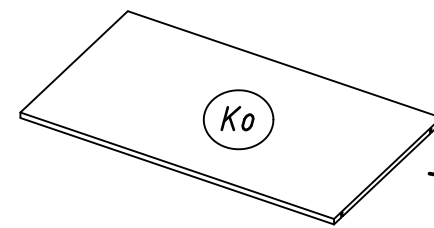


Ko

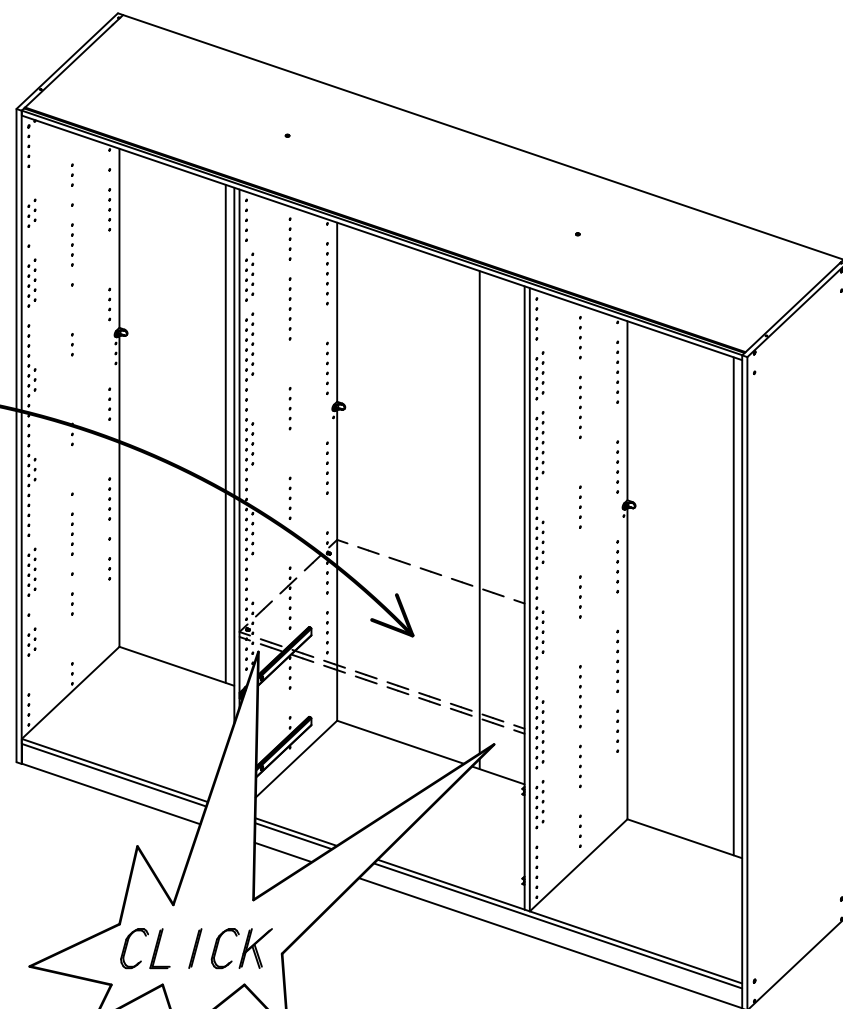
274



20



Ko

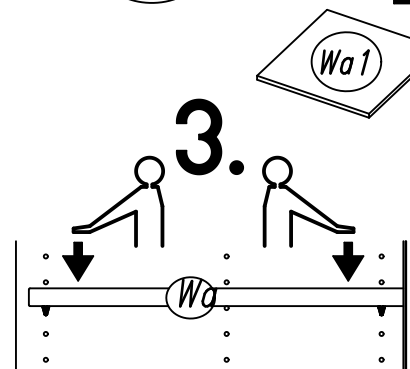


CLICK

21

1105

2.

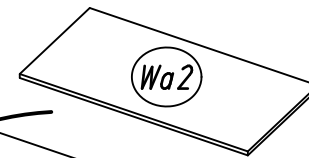


3.

Wa



Wa1



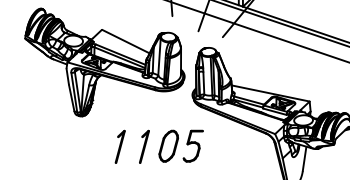
Wa2

2.



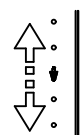
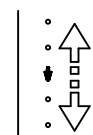
Wa1

1.



1105

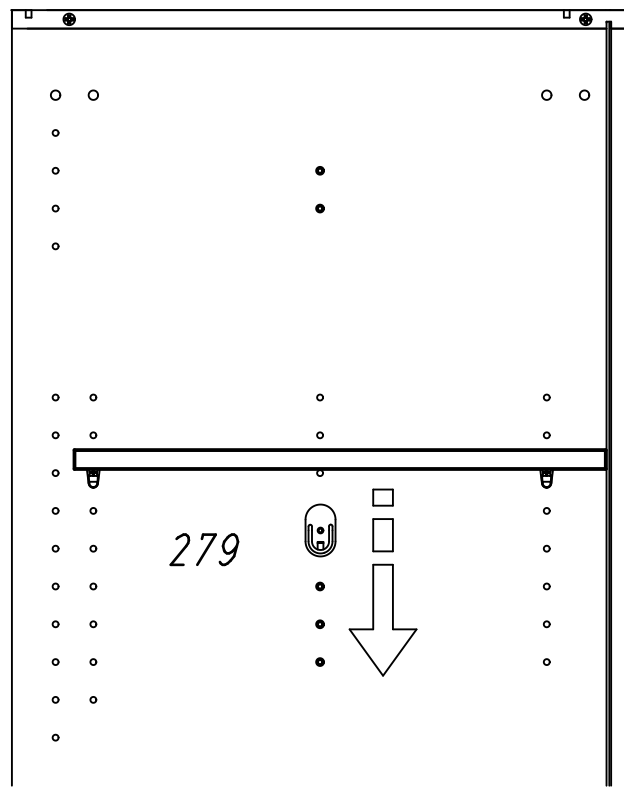
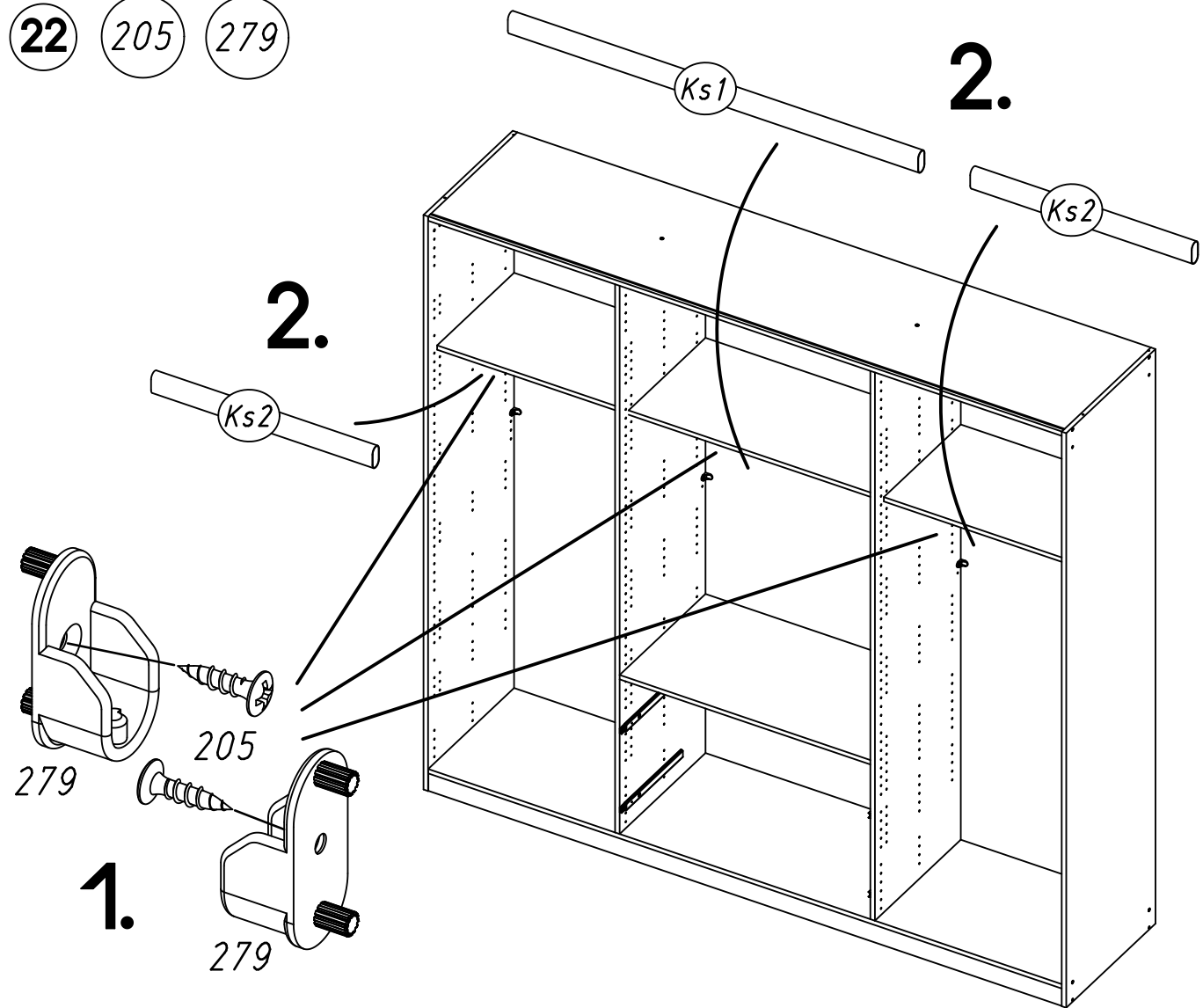
1105



17.

22 205 279

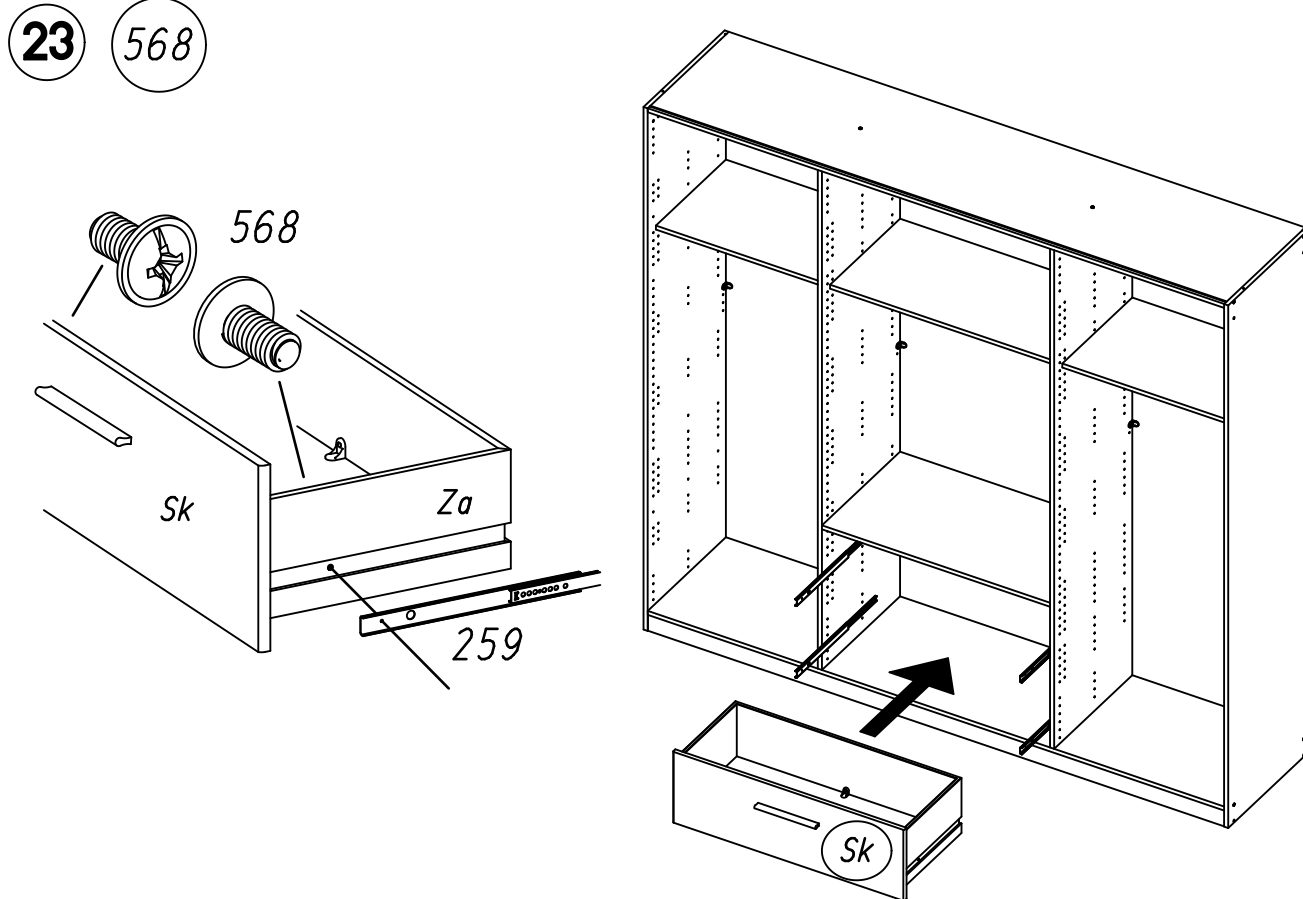
2.



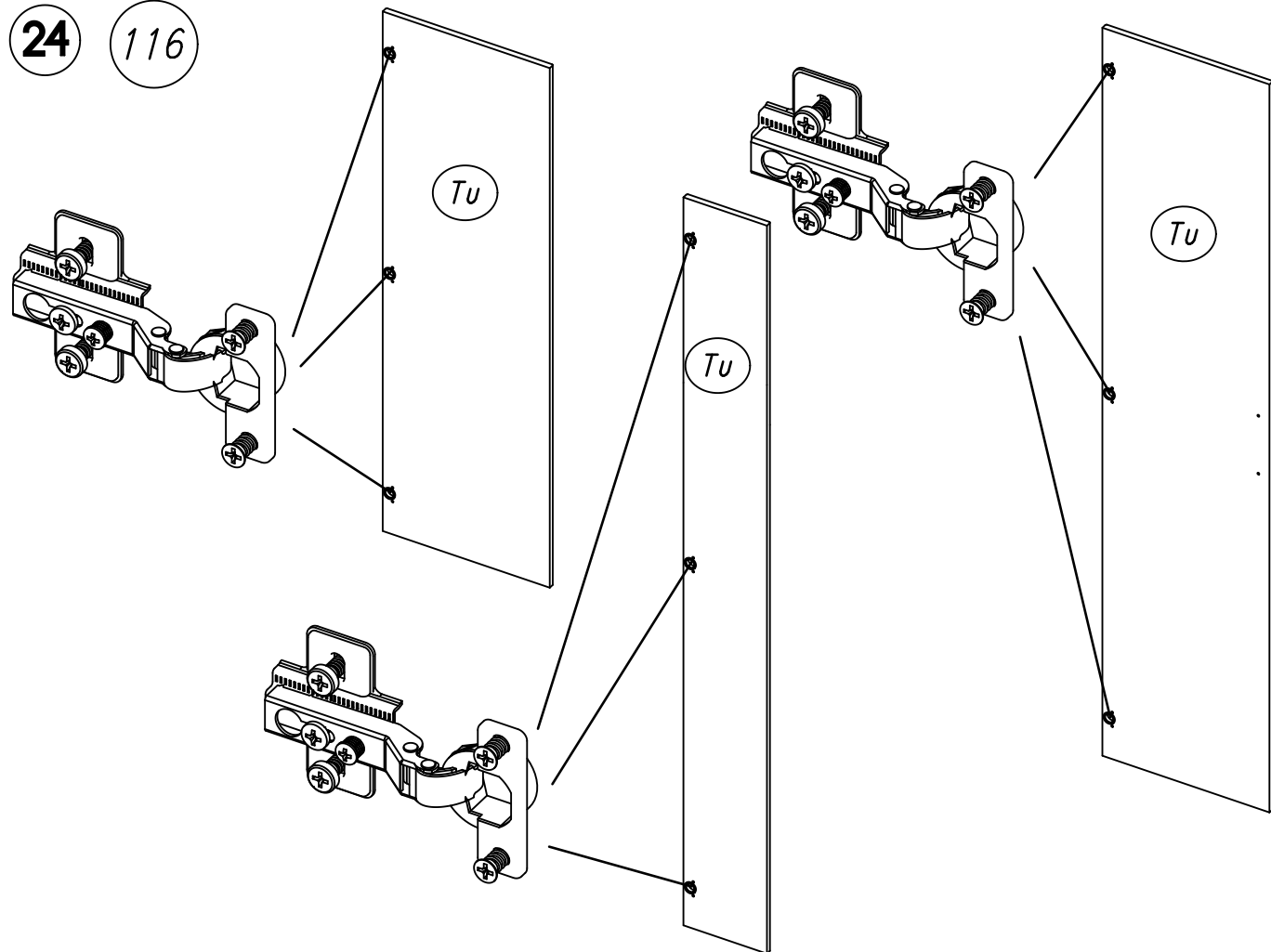
M1834

18.

23 568

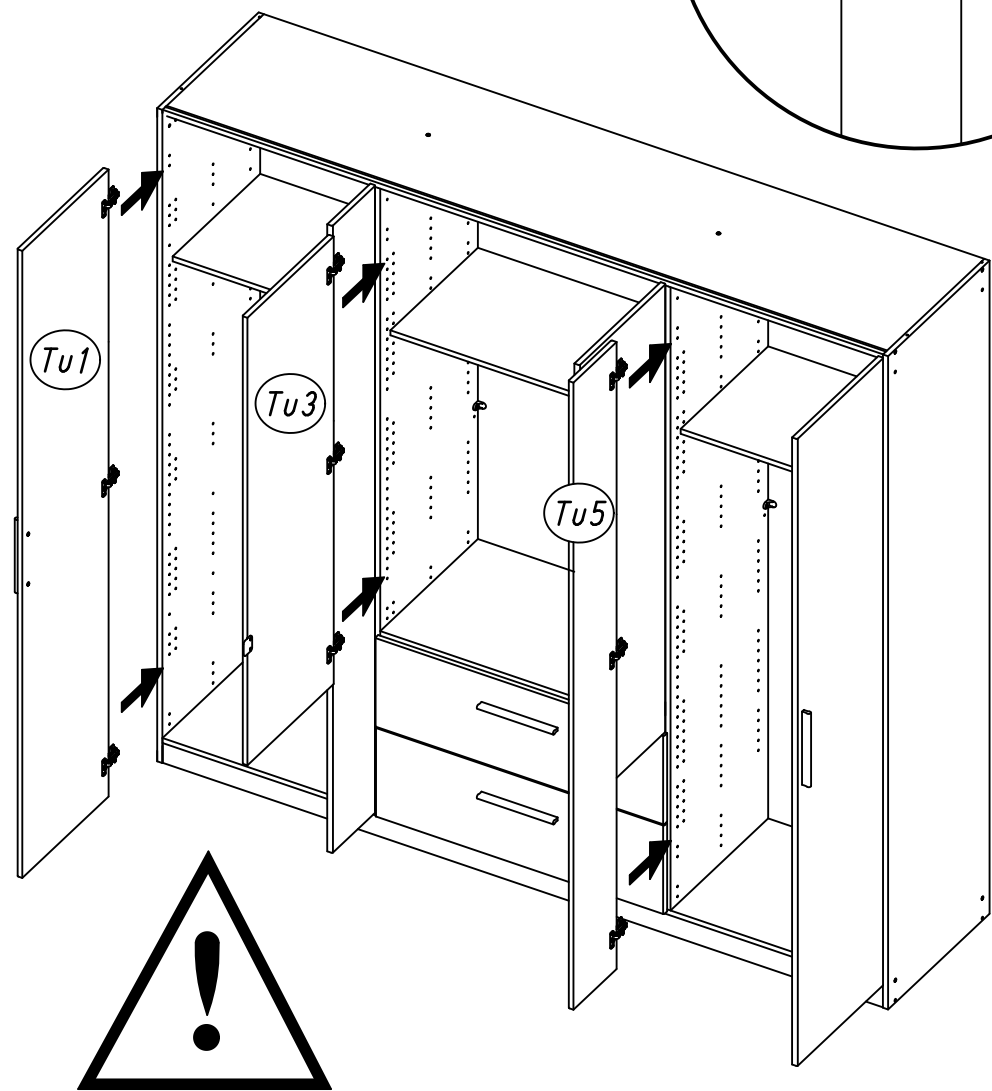
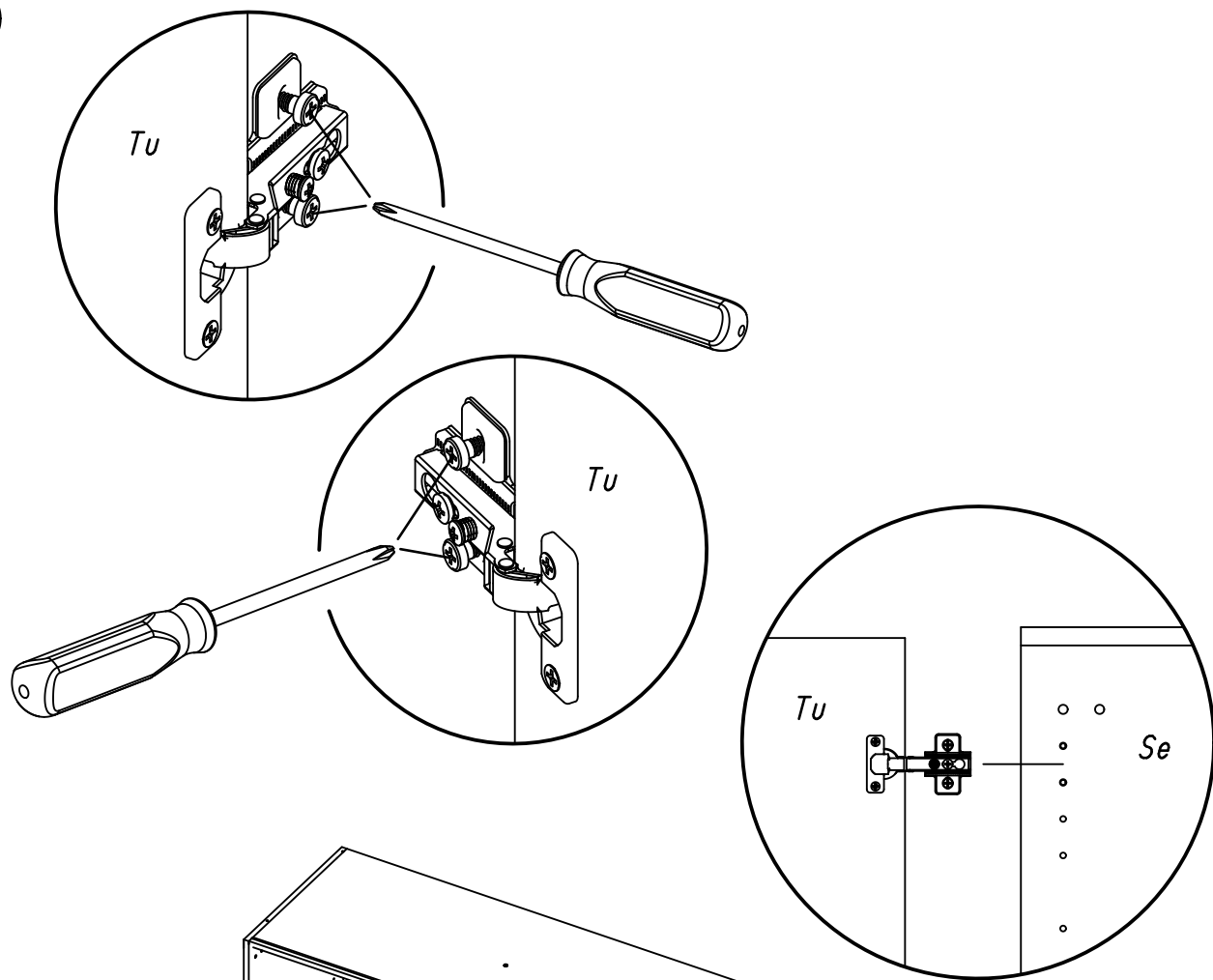


24 116

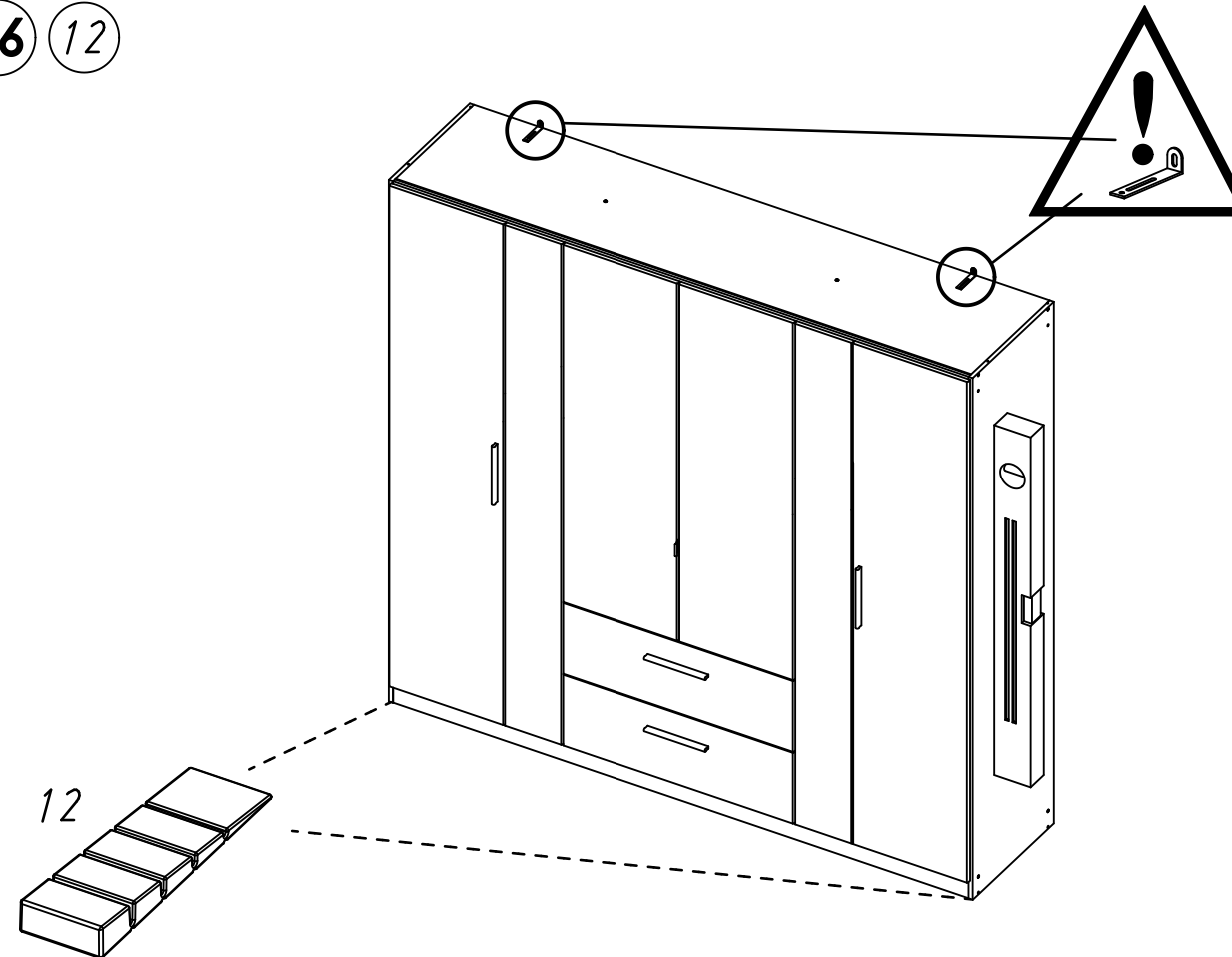


M1834

25

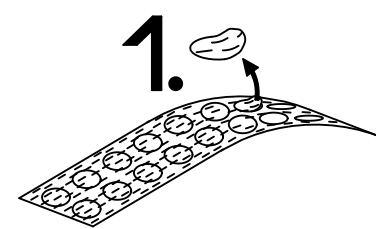


26 12

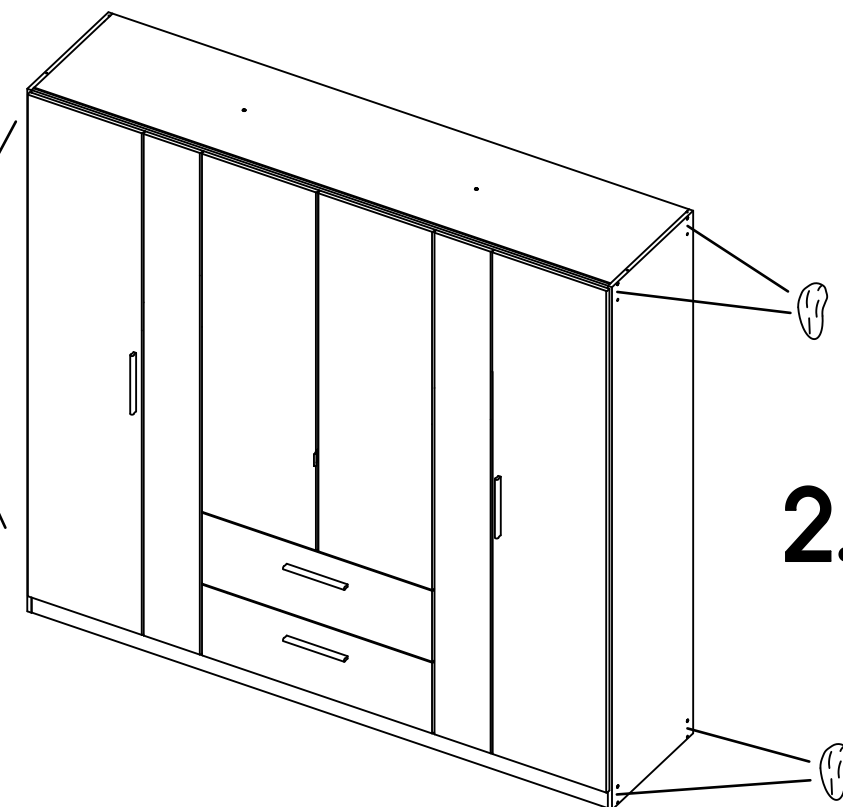


27

ABD-FOLIE
147x46

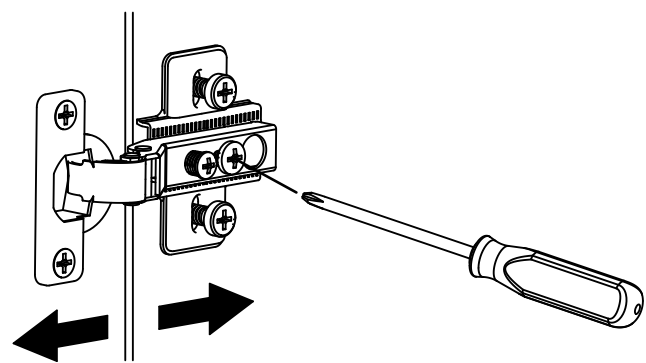
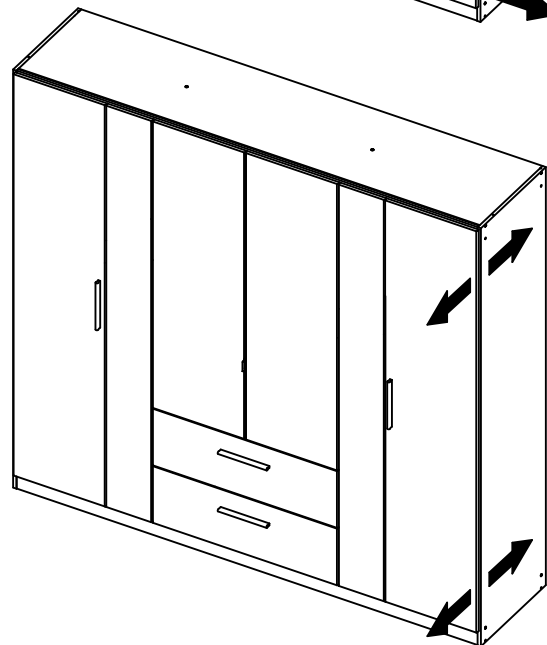
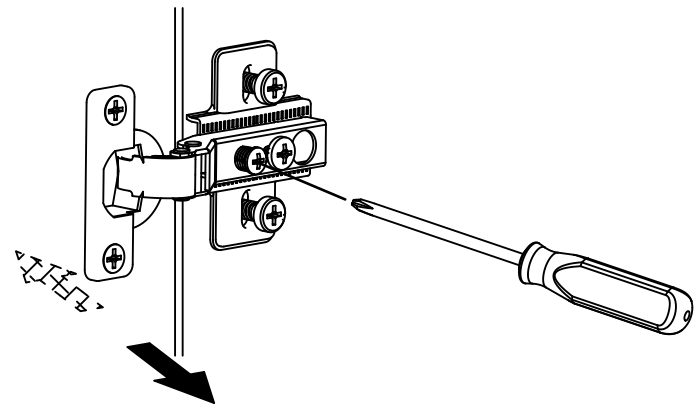
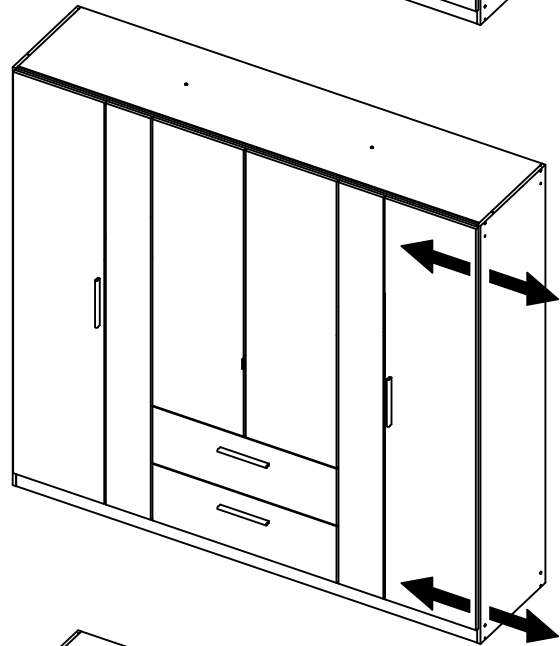
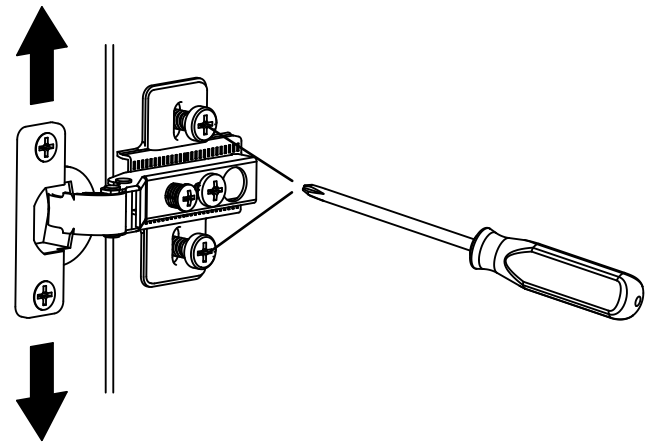
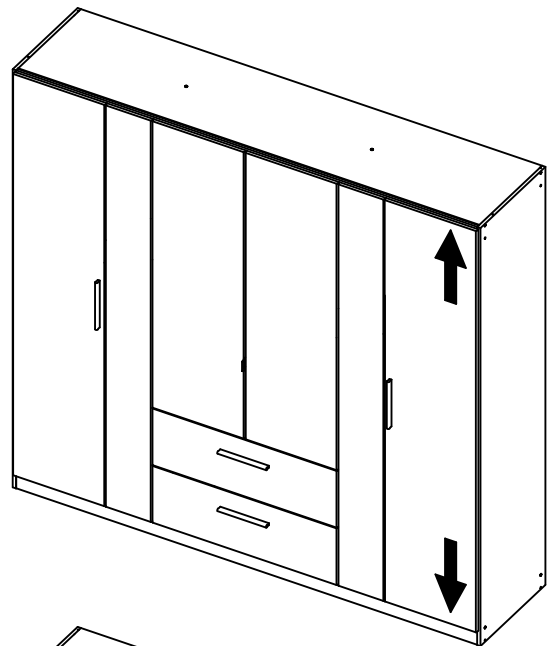


2.



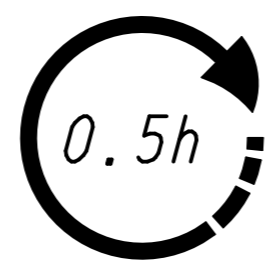
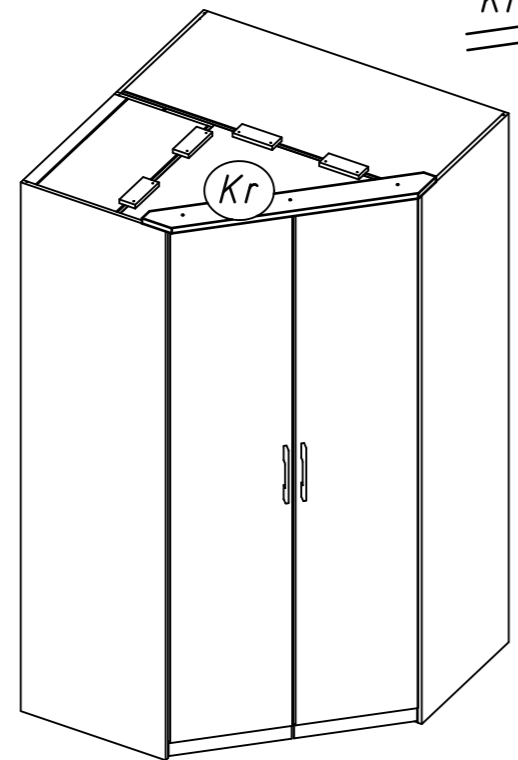
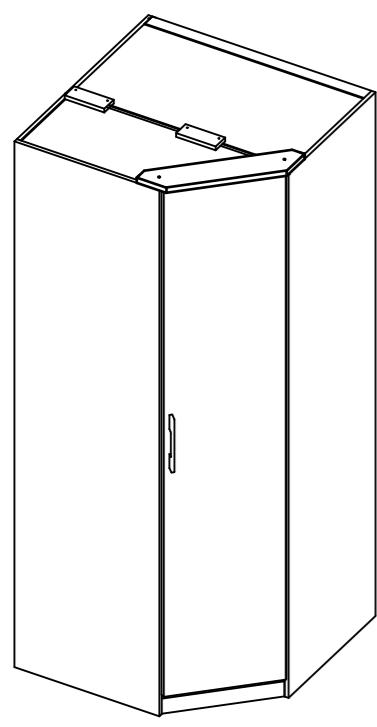
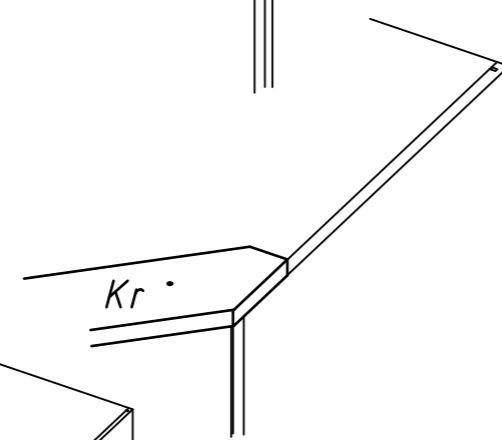
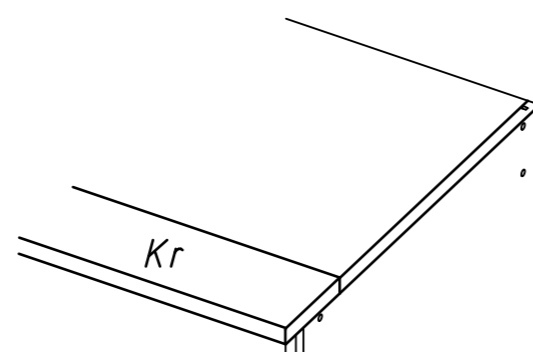
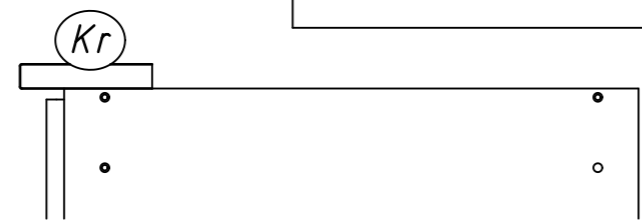
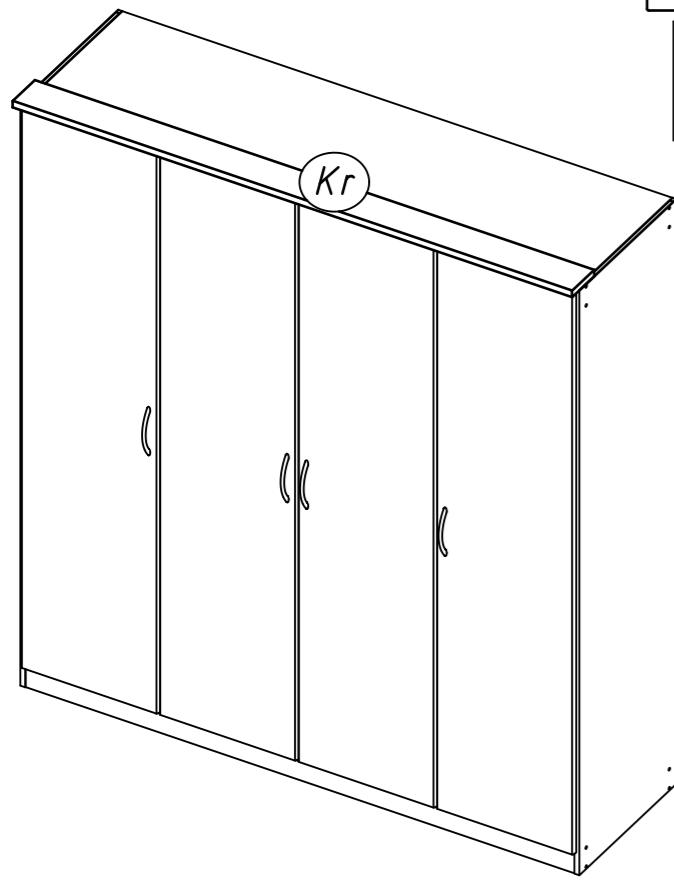
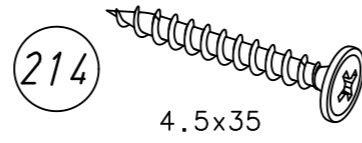
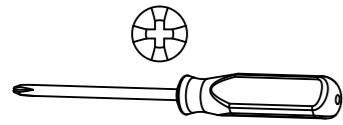
2.

28



1.

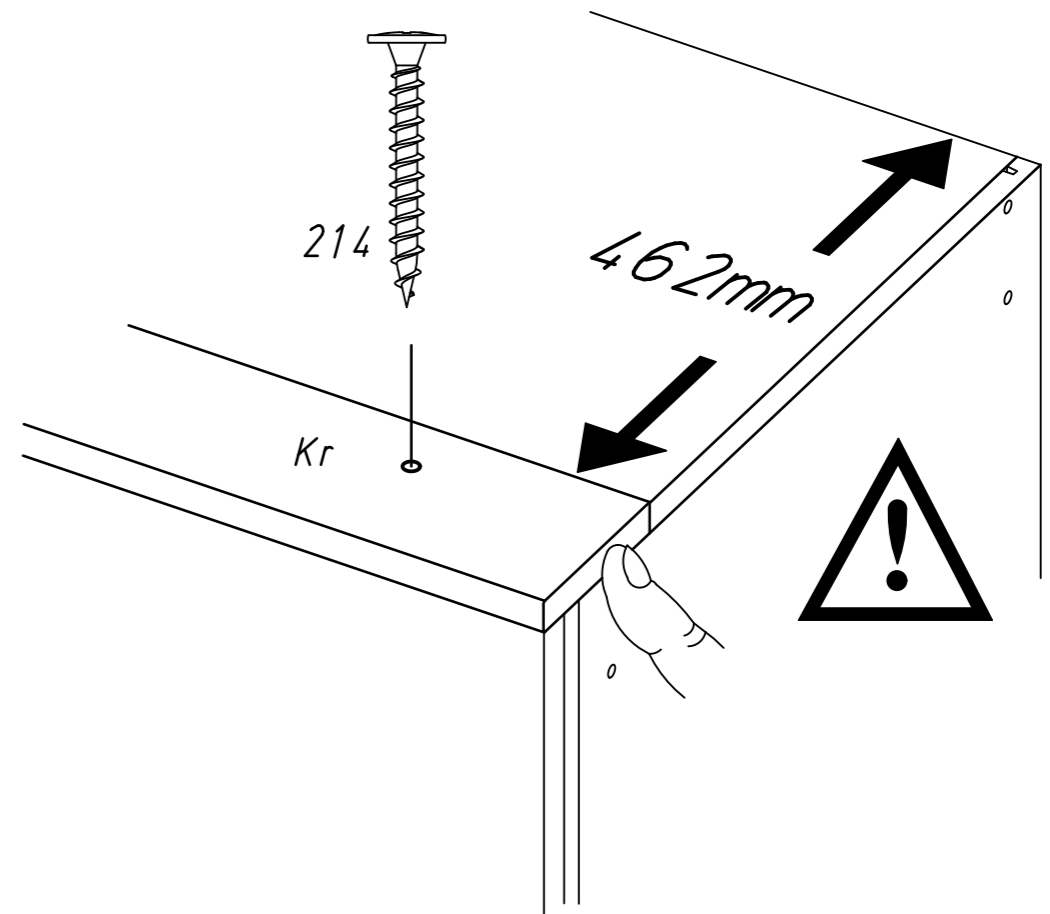
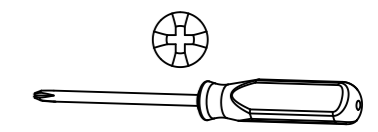
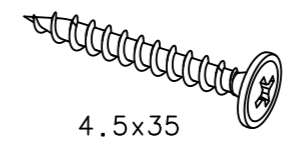
ME203_13



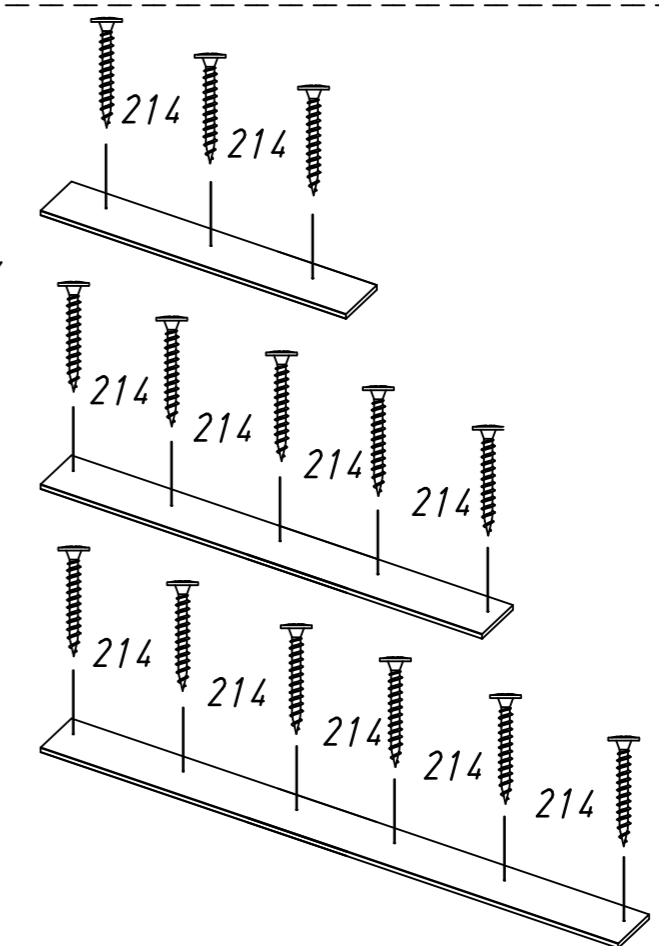
2.

1

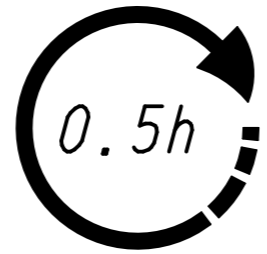
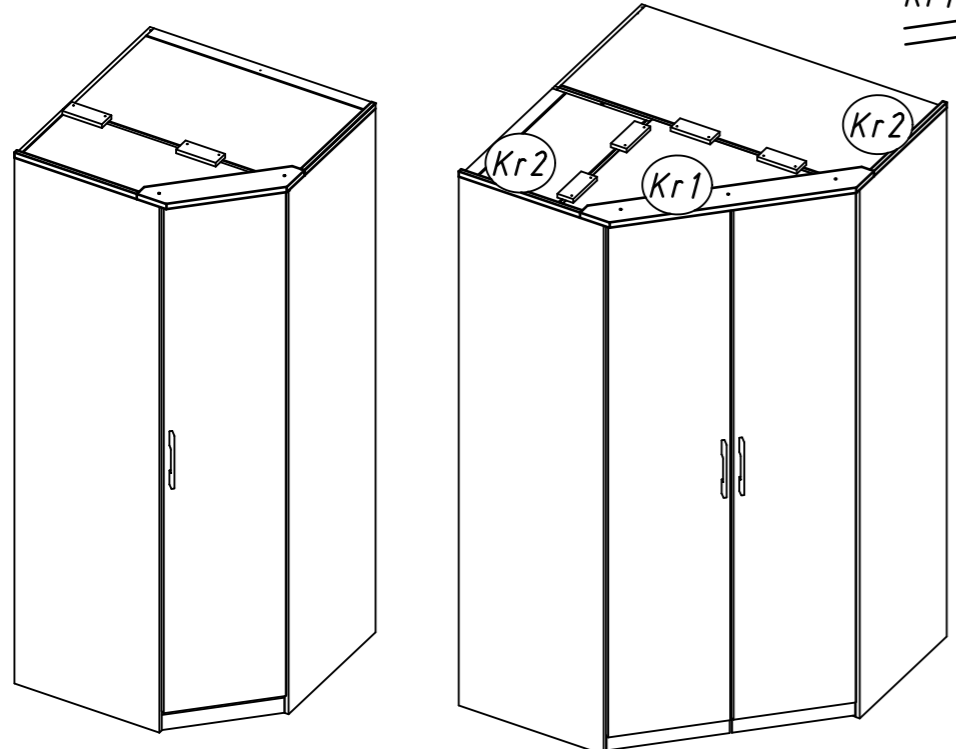
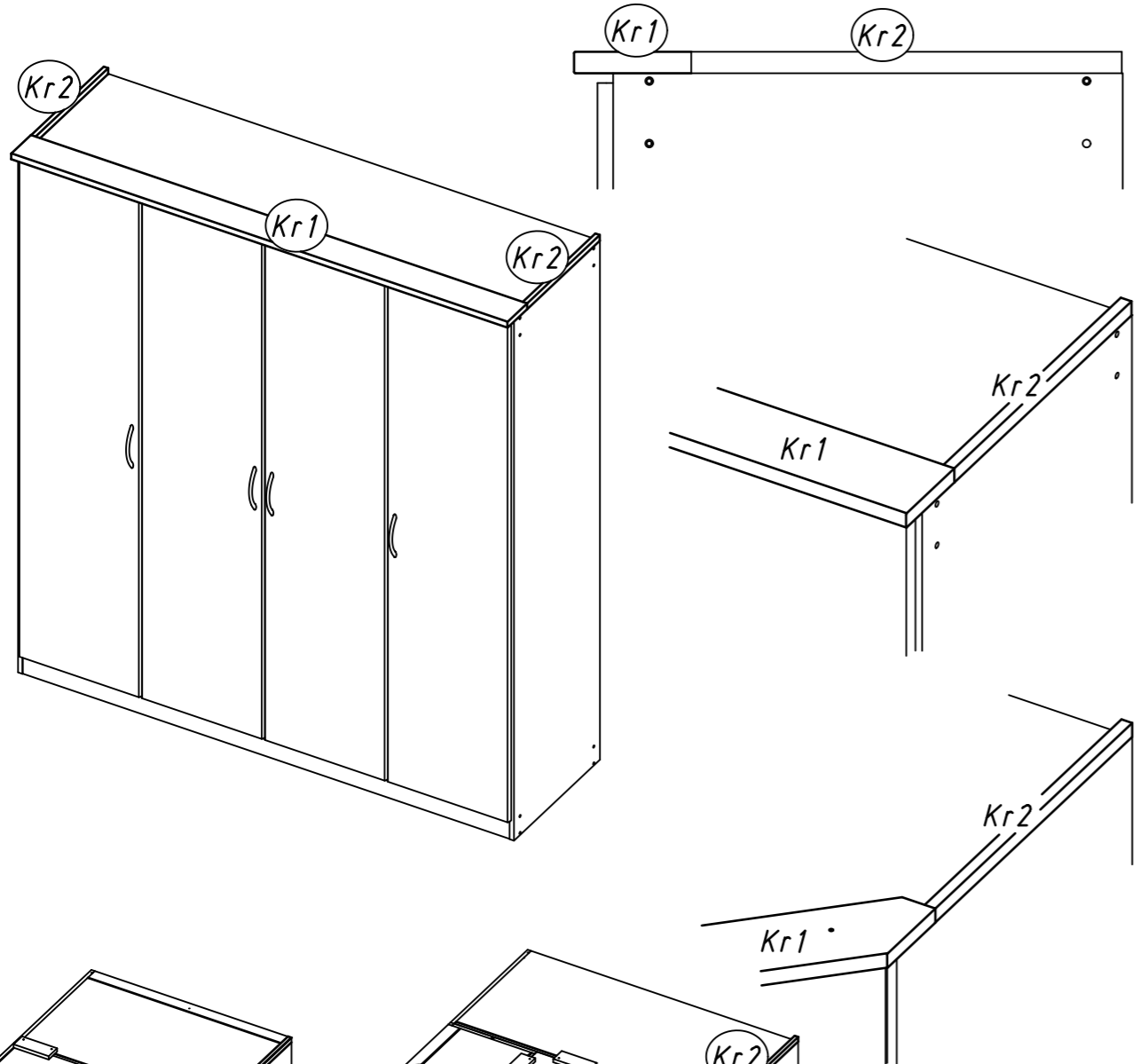
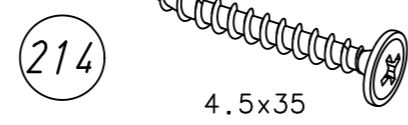
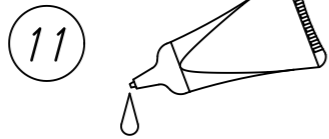
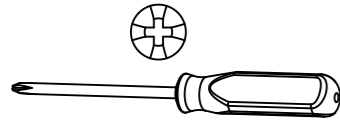
X x 214



X



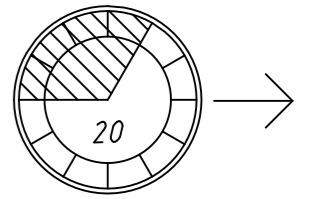
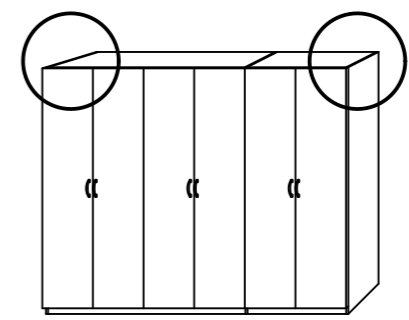
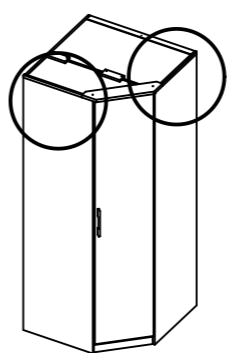
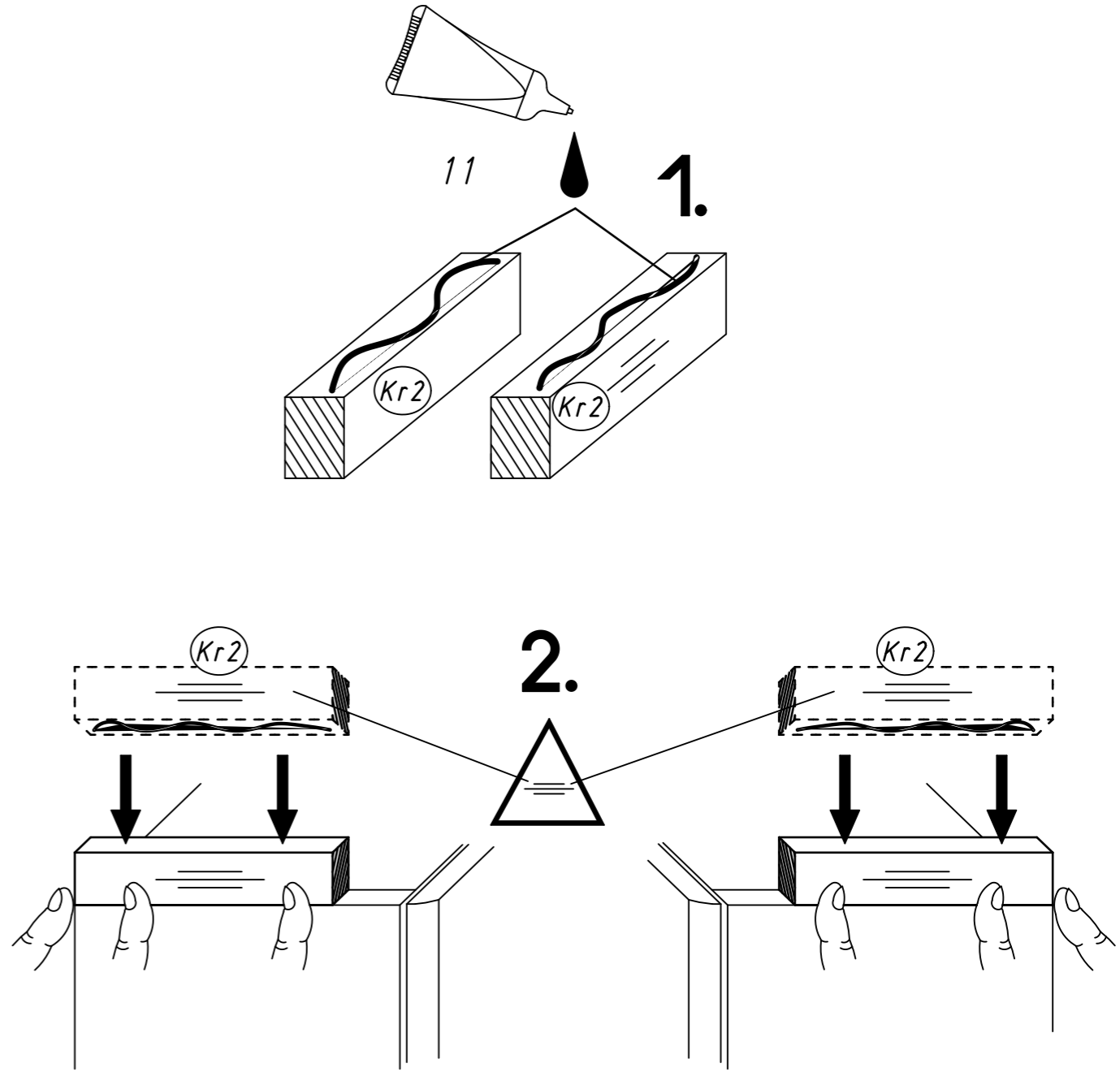
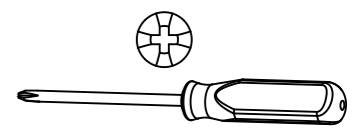
3.



ME203

4.

1



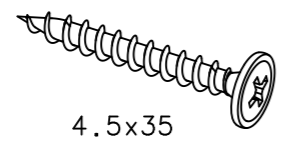
ME203

5.

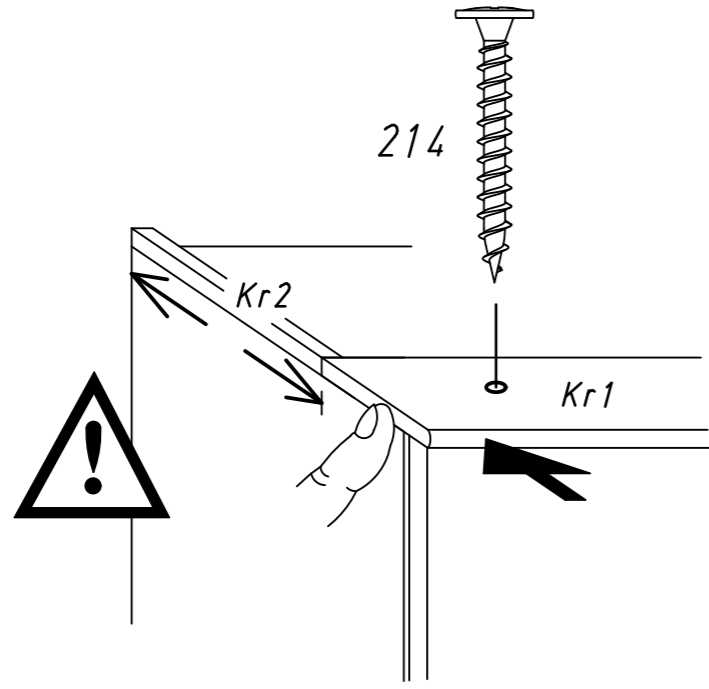
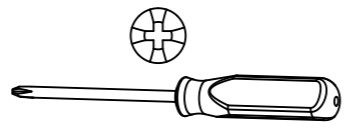
2

X x

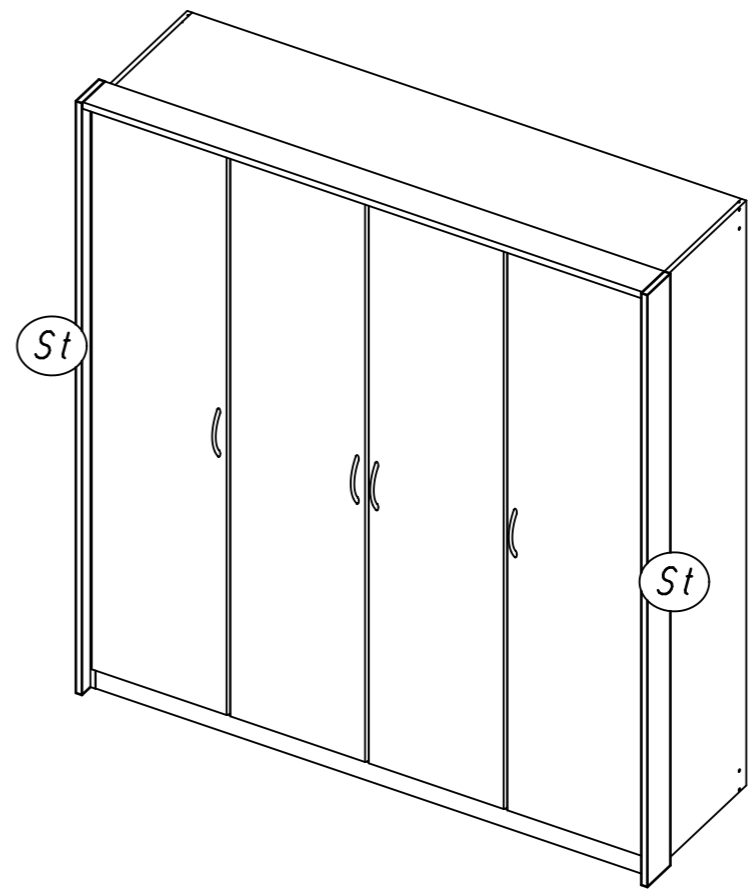
214



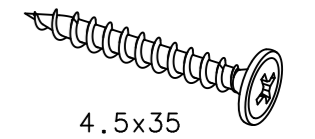
4.5x35



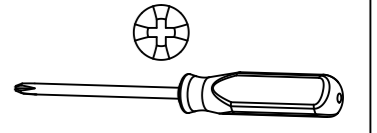
6.



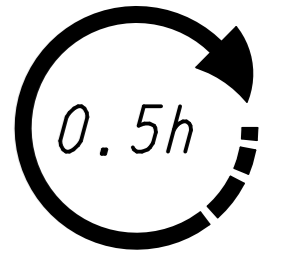
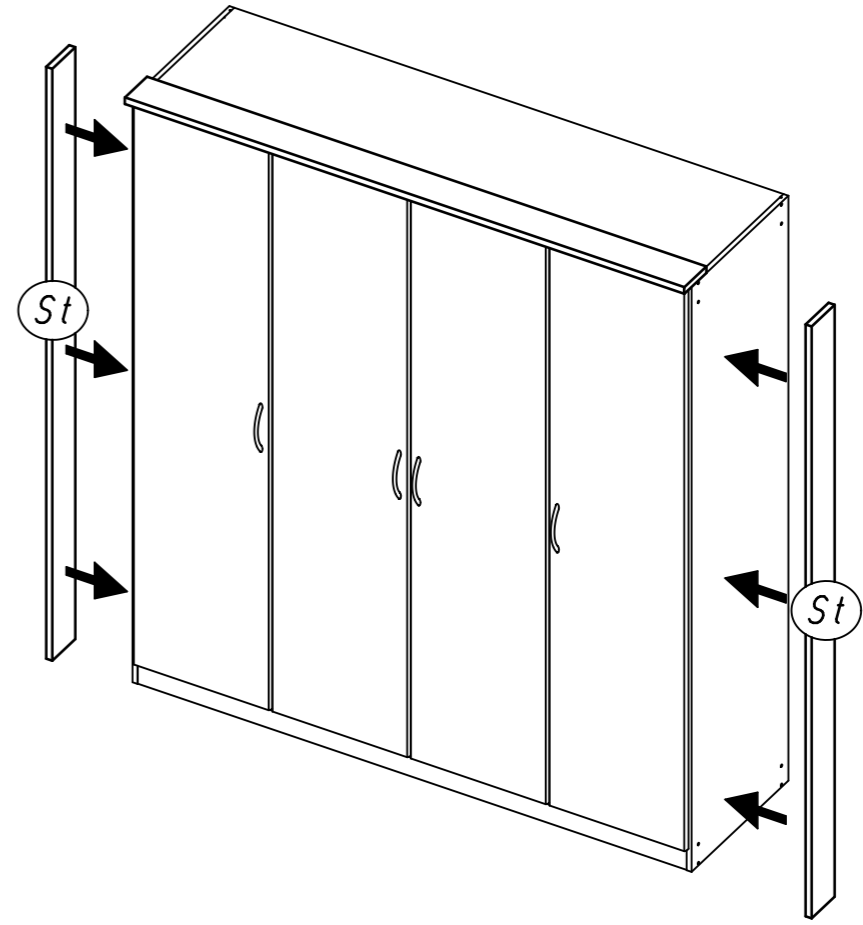
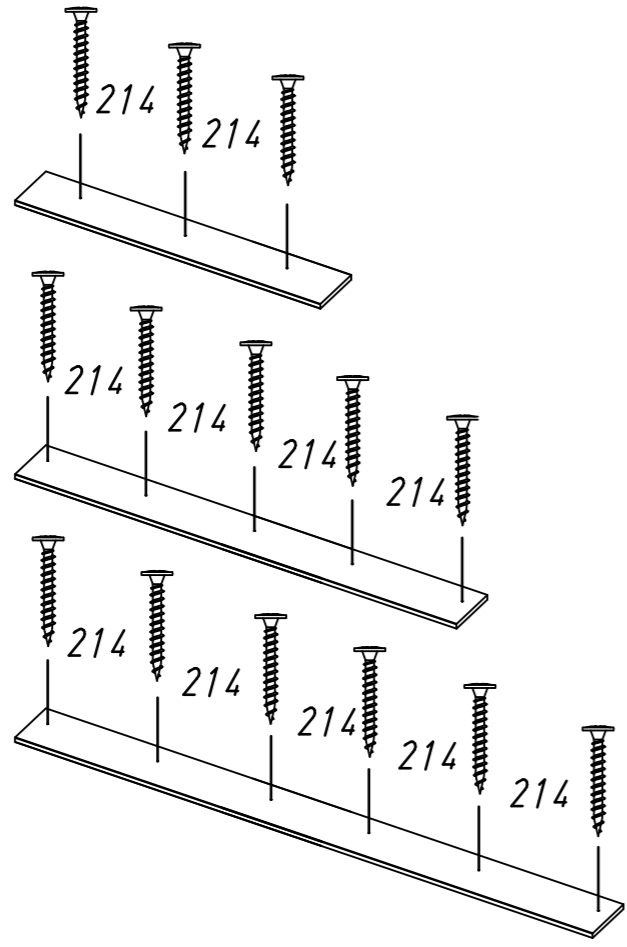
214



4.5x35



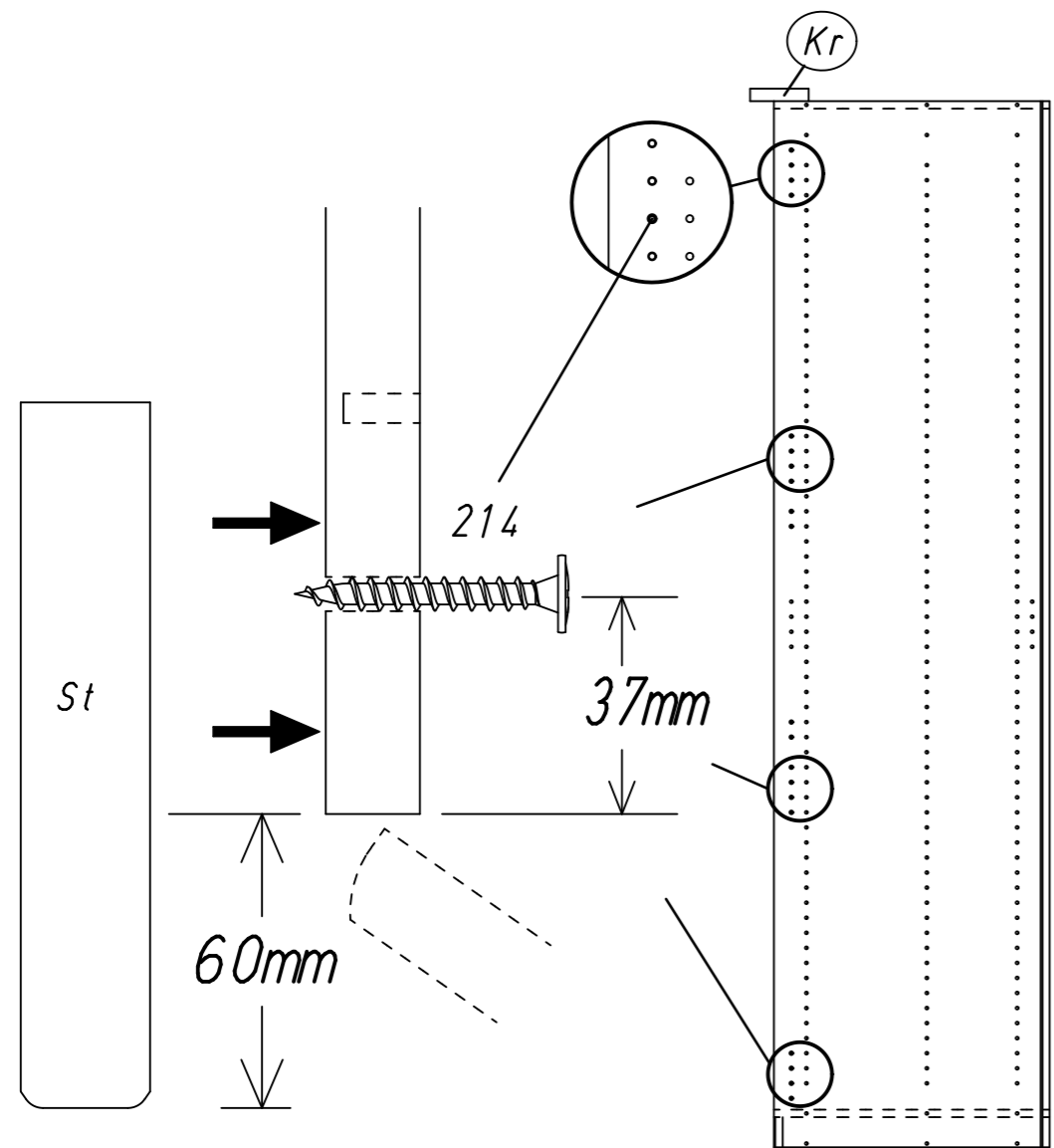
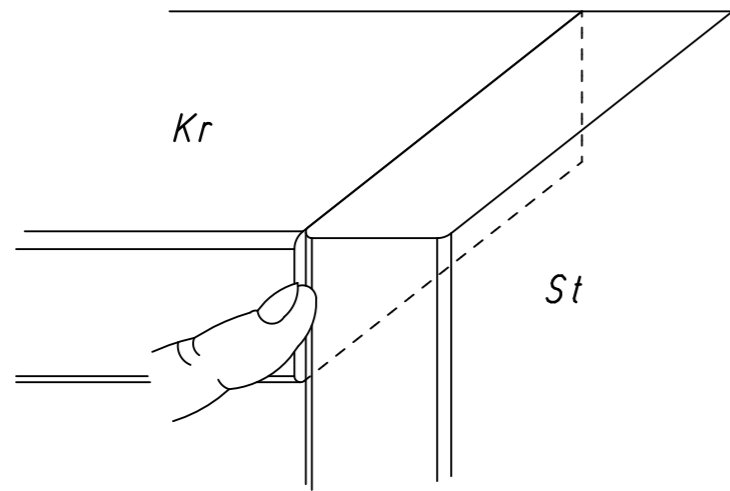
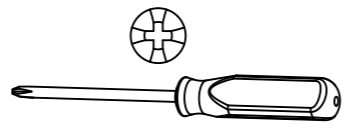
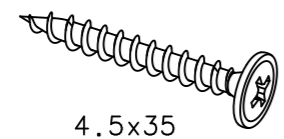
X

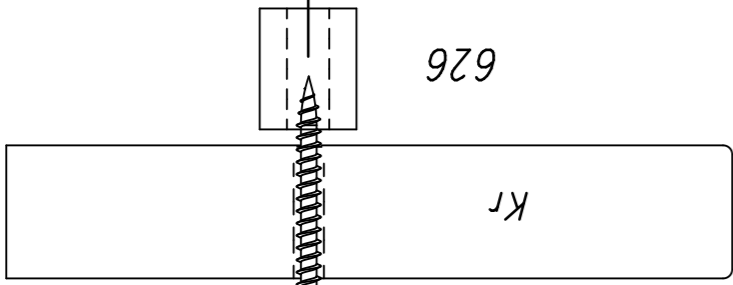
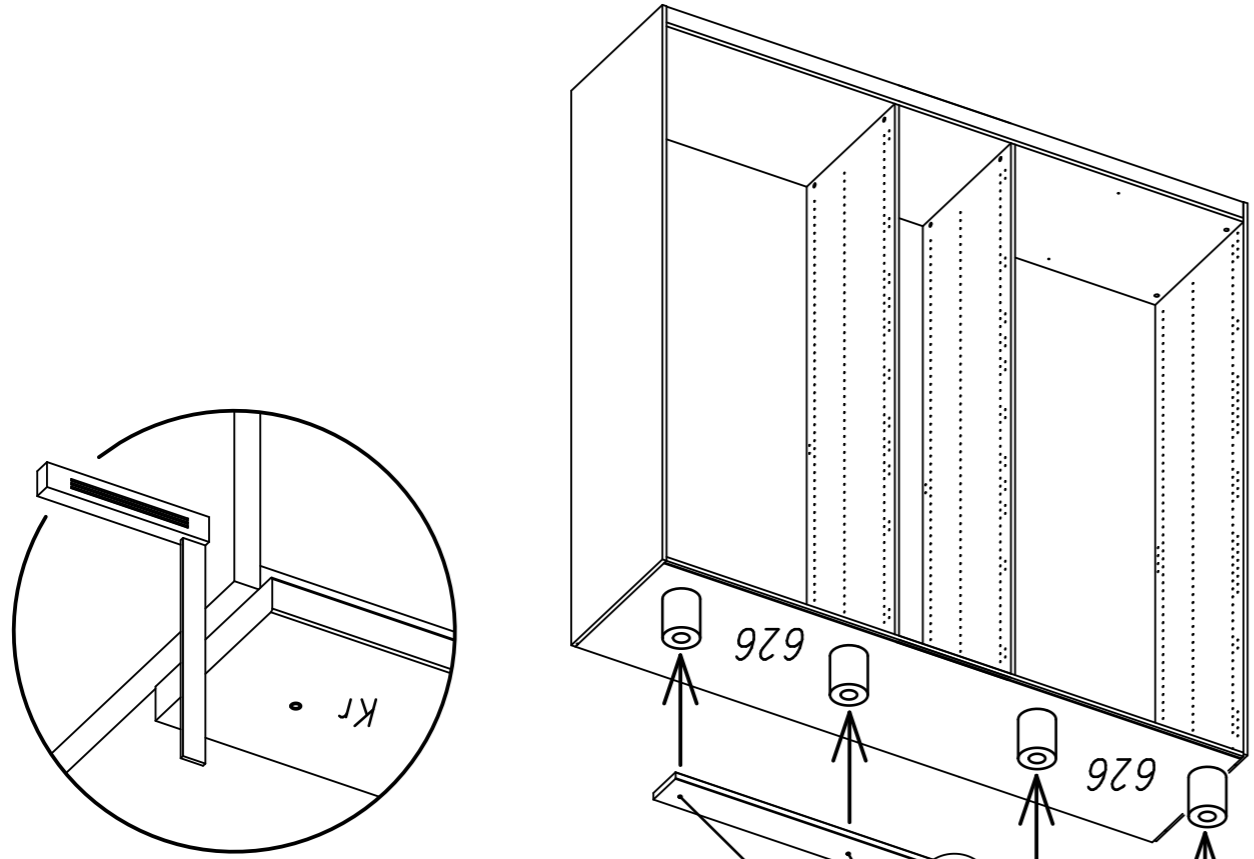


1

8x

214





1057

626

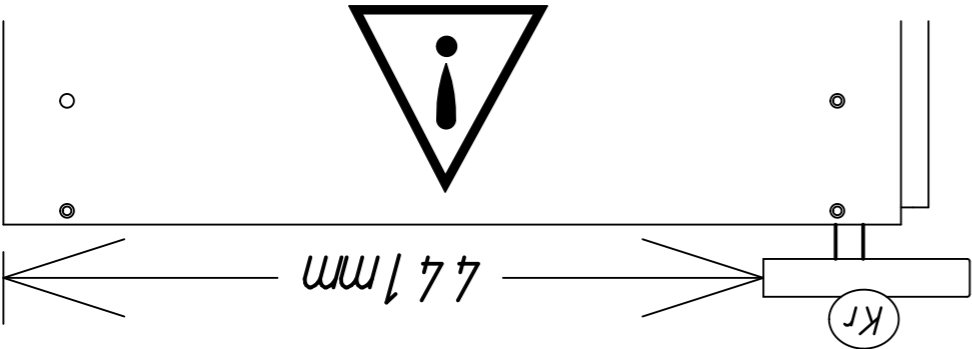
Kr

1057

Kr

626

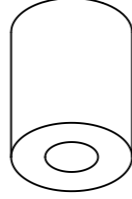
626



47 mm

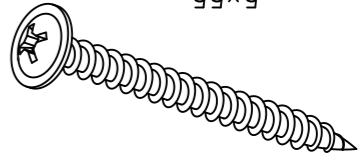
Kr

ø16x20

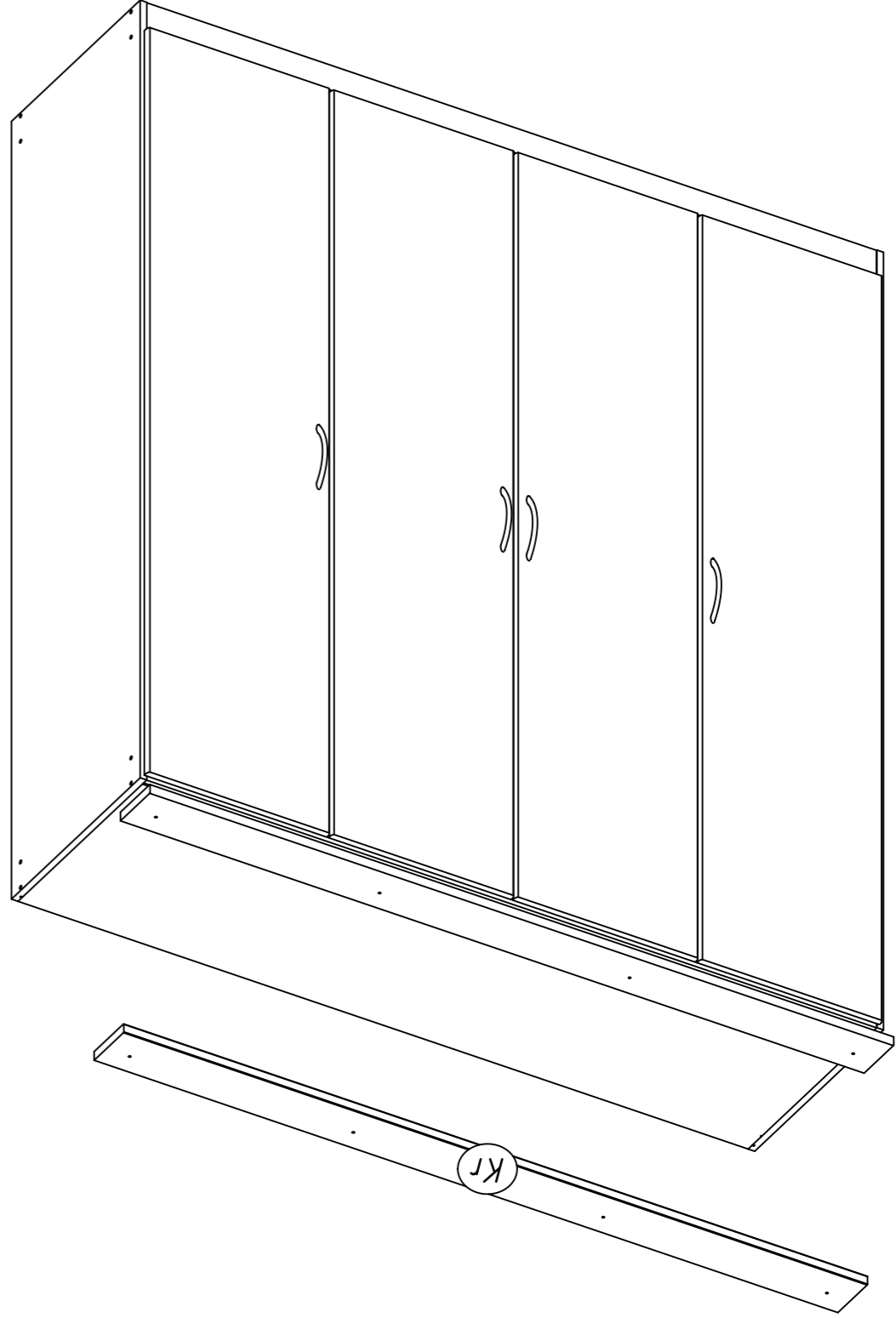


626

5x55



1057



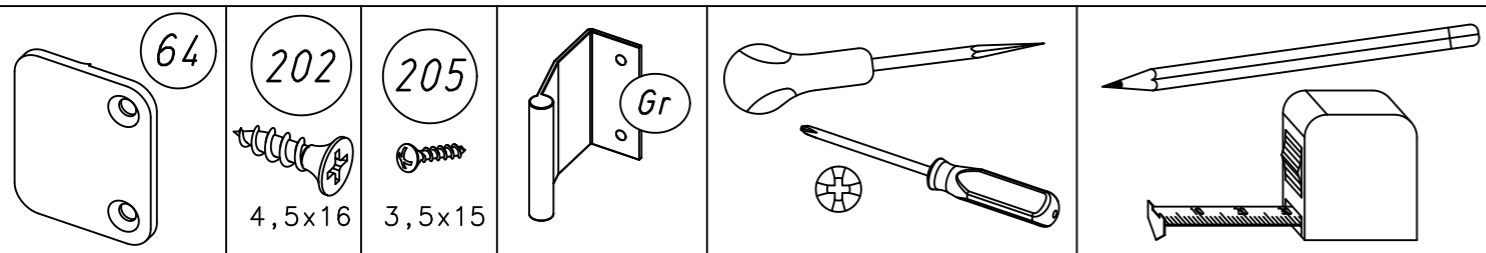
Kr

MZ049_02

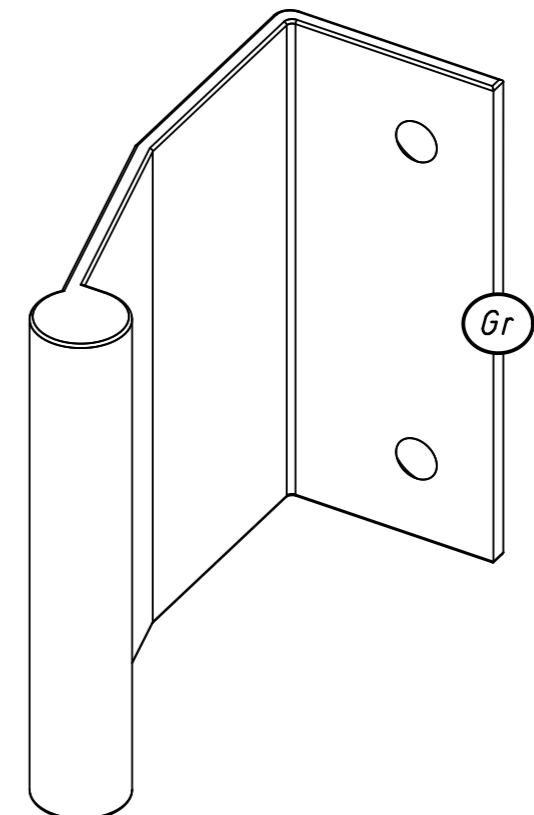
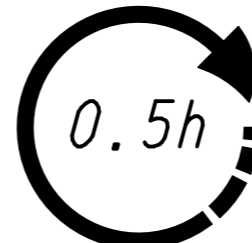
1.

ME480_09

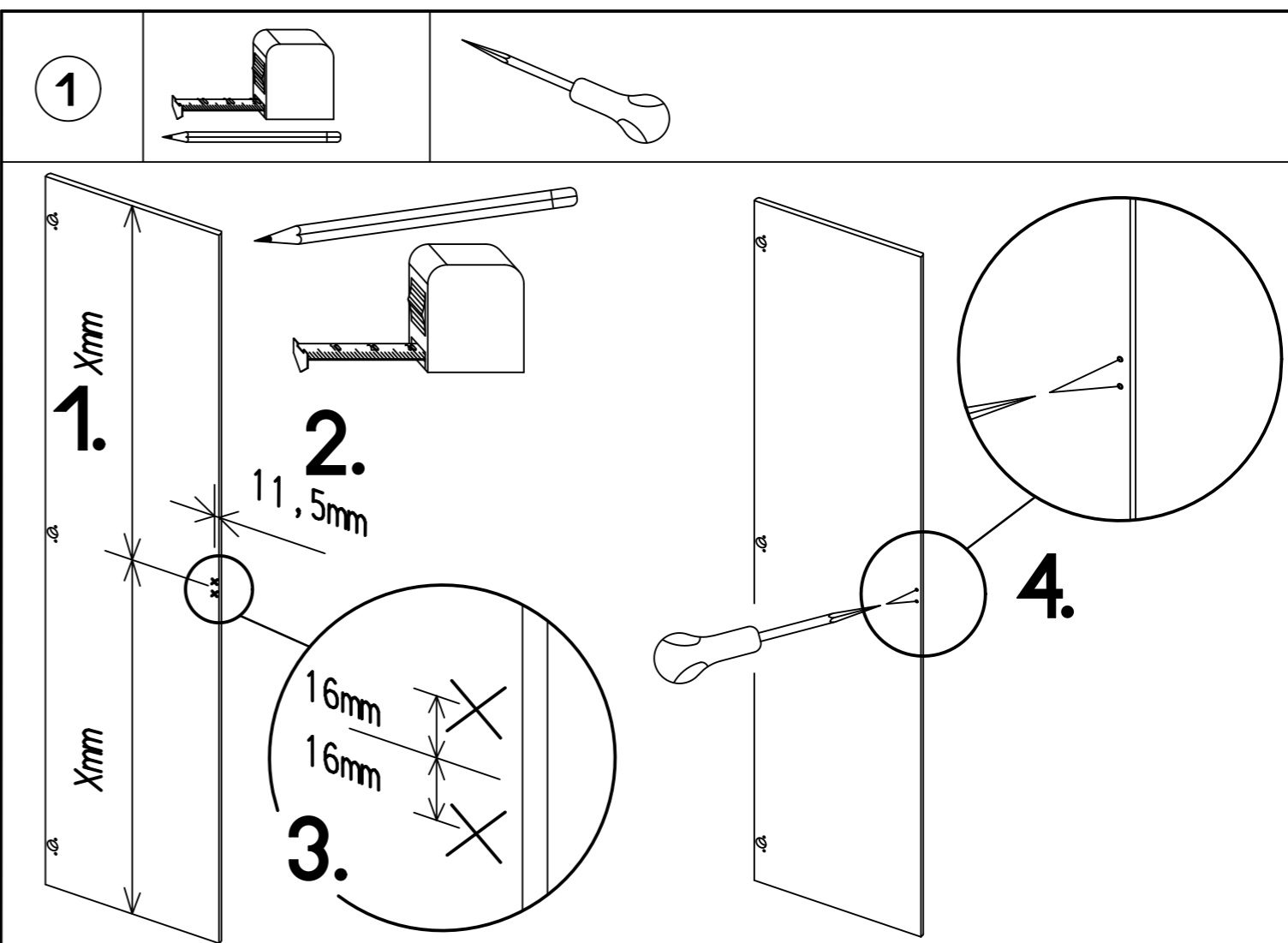
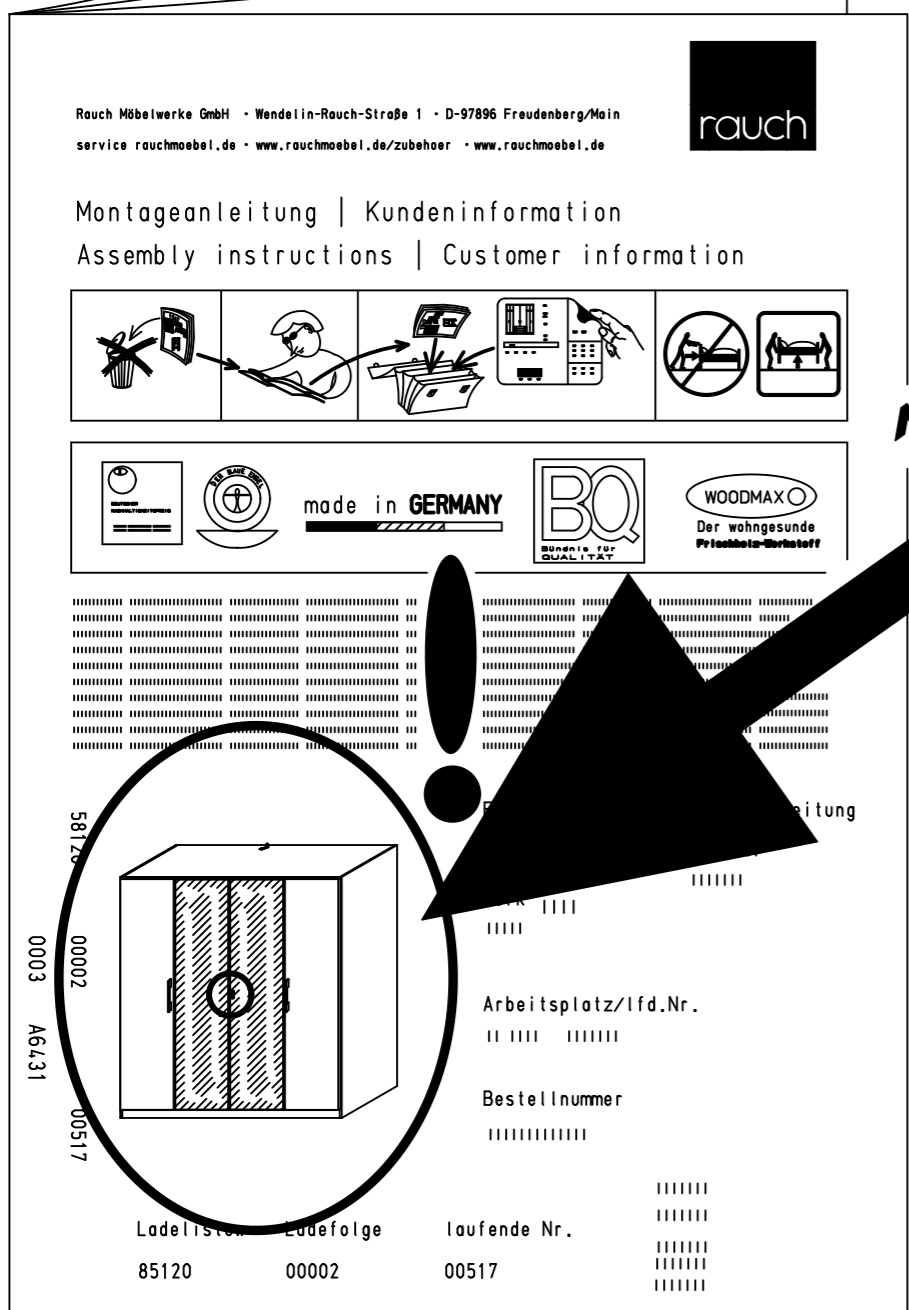
rauch



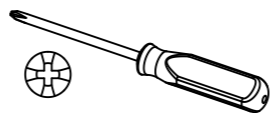
2.



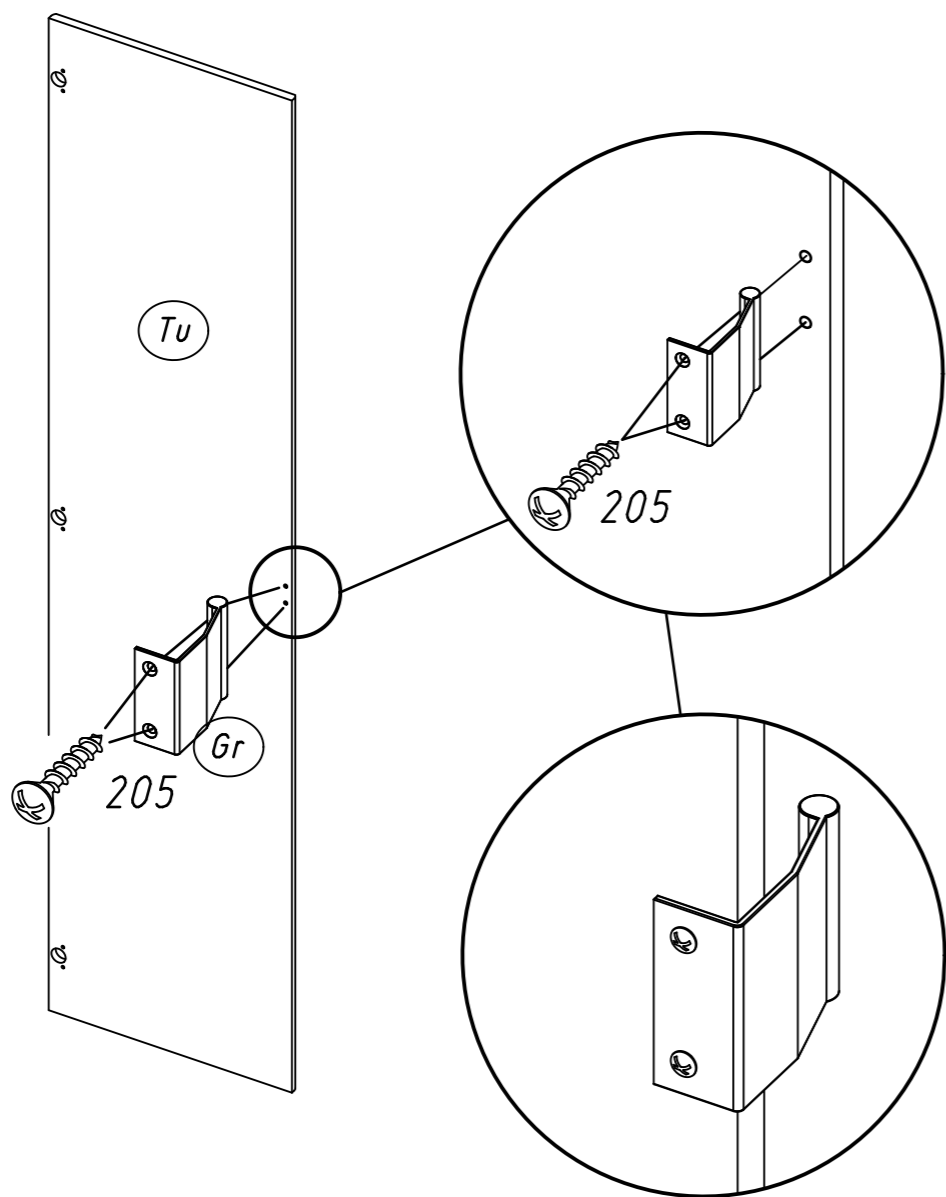
1...2...3...4...X Gr ?



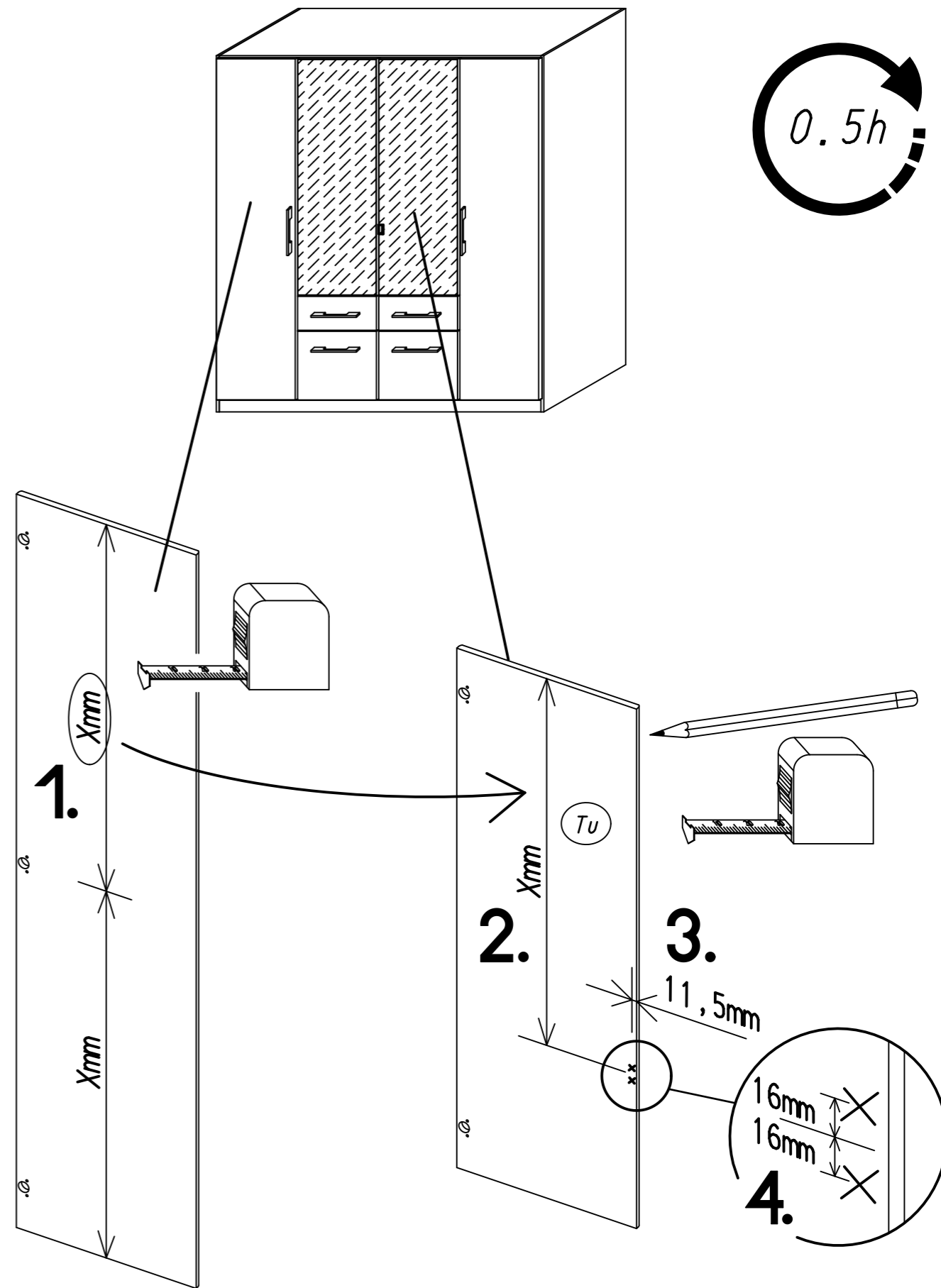
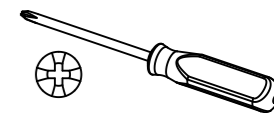
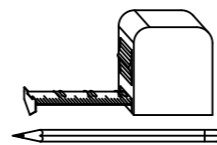
2



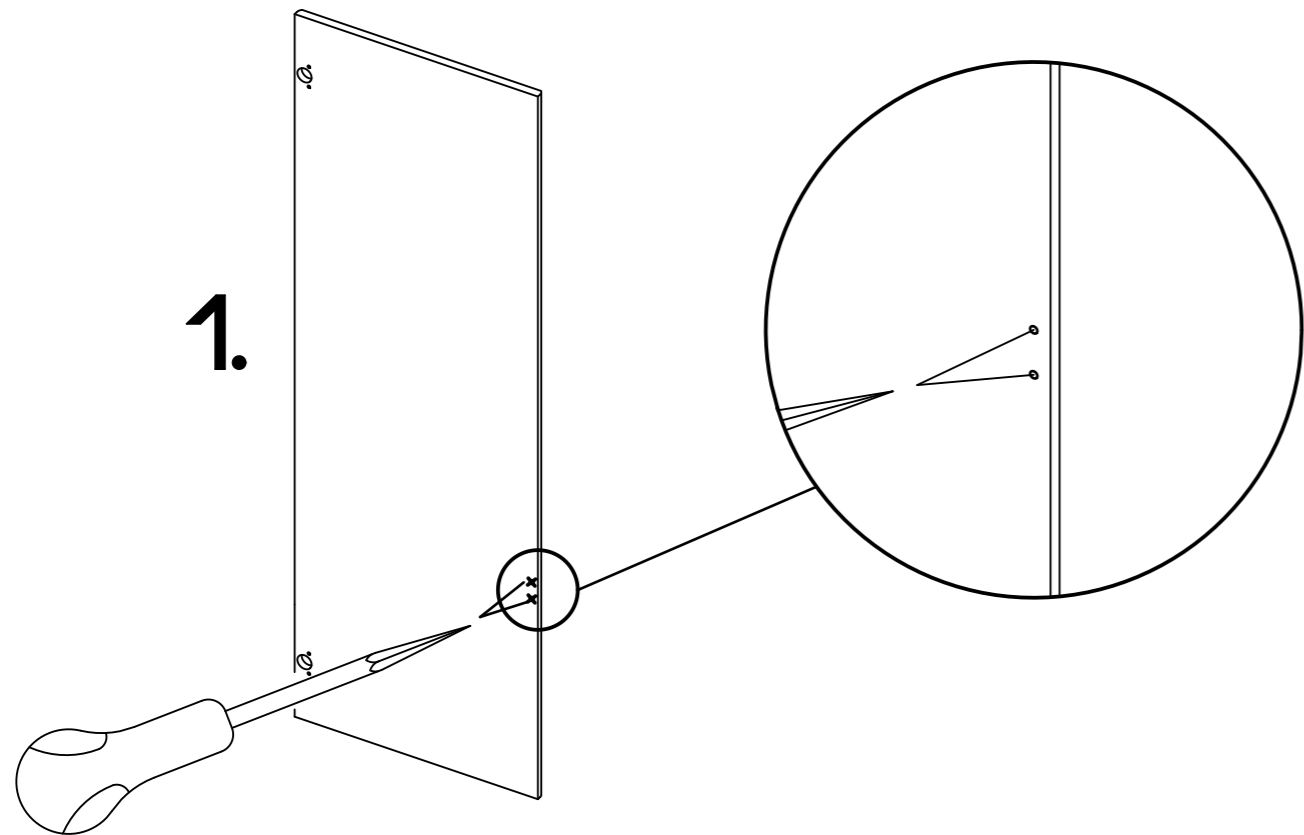
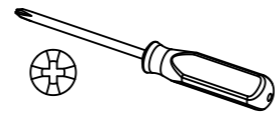
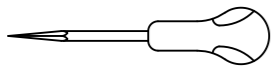
- 1x \textcircled{Tu} = 1x \textcircled{Gr} | 2x $\textcircled{205}$
- 2x \textcircled{Tu} = 2x \textcircled{Gr} | 4x $\textcircled{205}$
- 3x \textcircled{Tu} = 3x \textcircled{Gr} | 6x $\textcircled{205}$
- ...



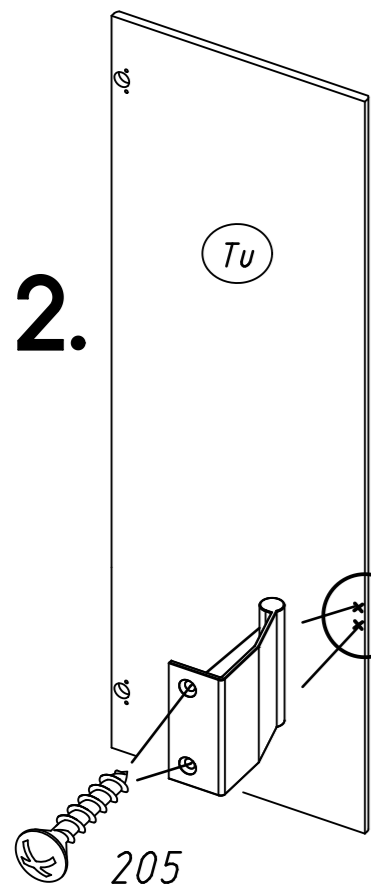
1



2



1.



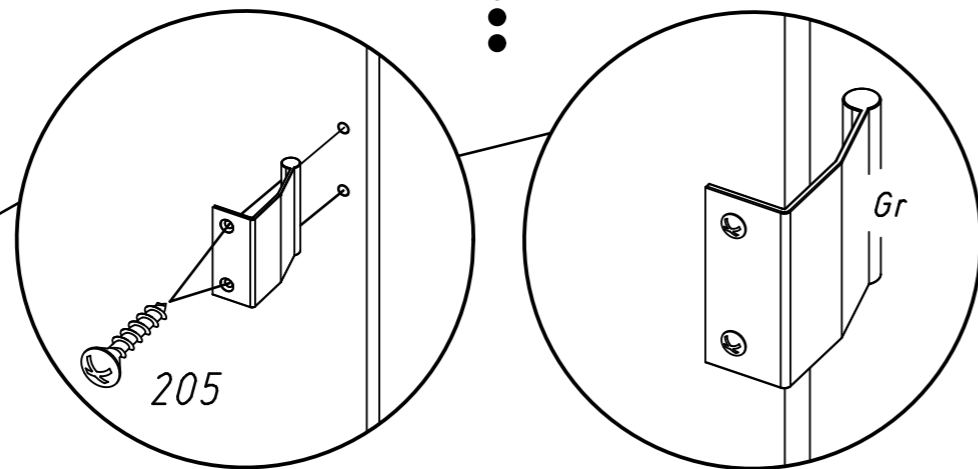
2.

1x (Tu) = 1x (Gr) | 2x (205)

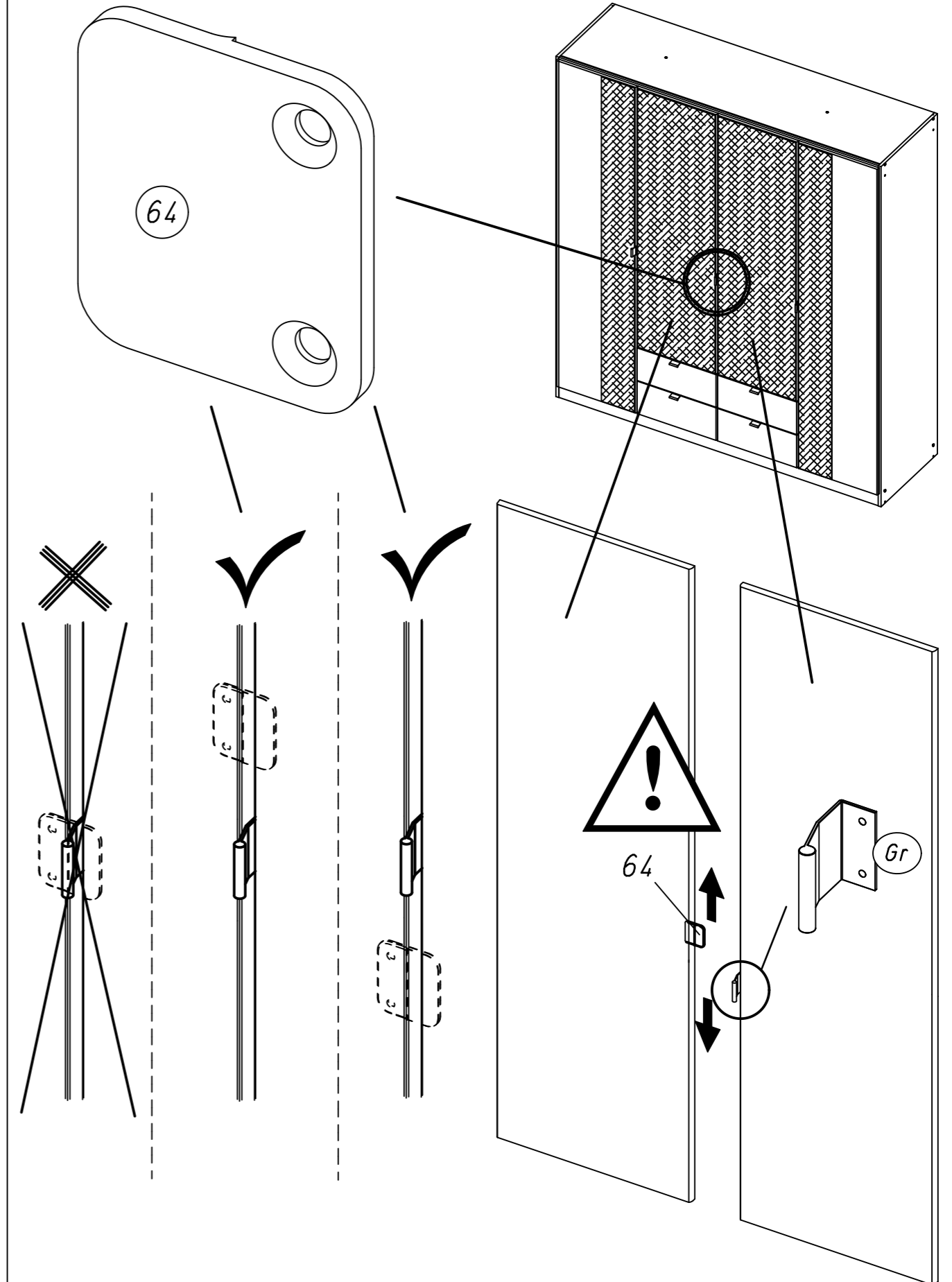
2x (Tu) = 2x (Gr) | 4x (205)

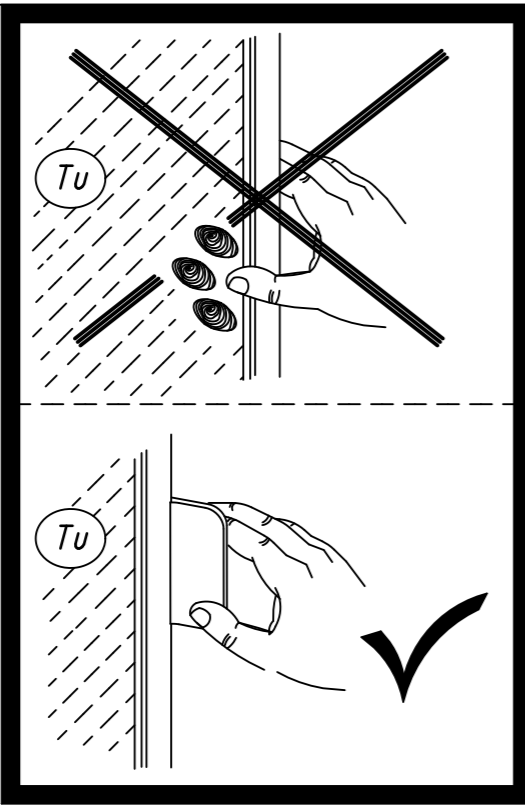
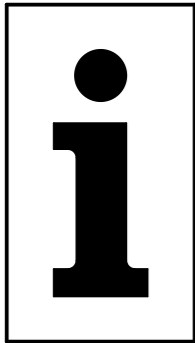
3x (Tu) = 3x (Gr) | 6x (205)

...

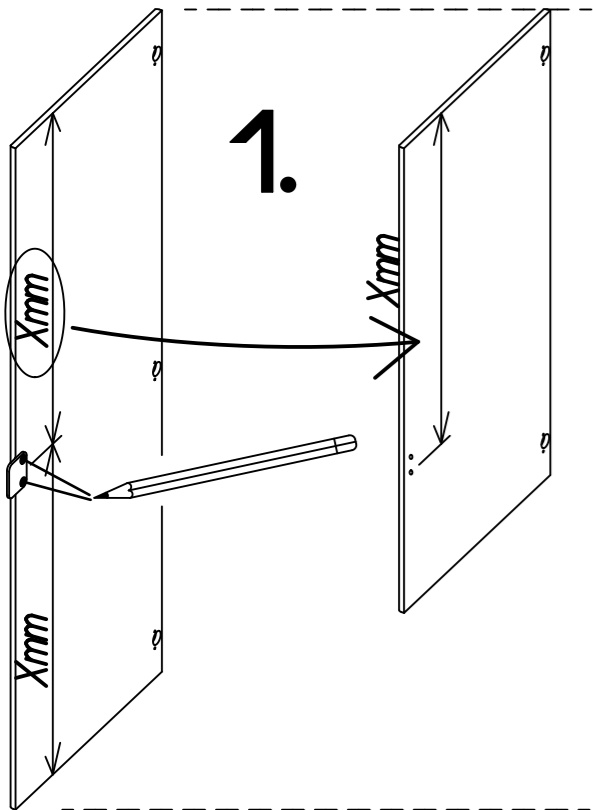
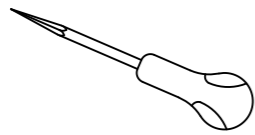
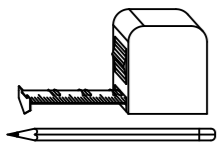


3

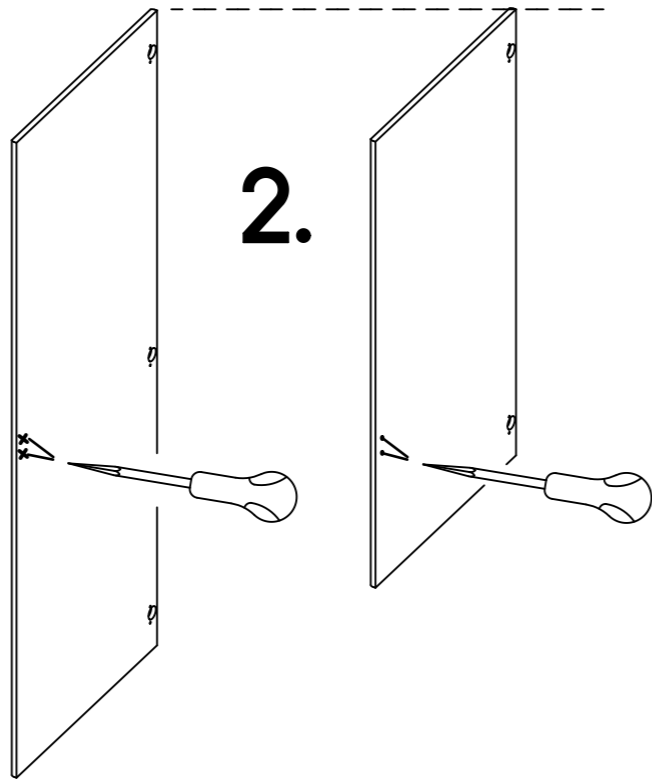




4



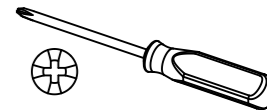
1.



2.

5

1x Tu = 1x 64

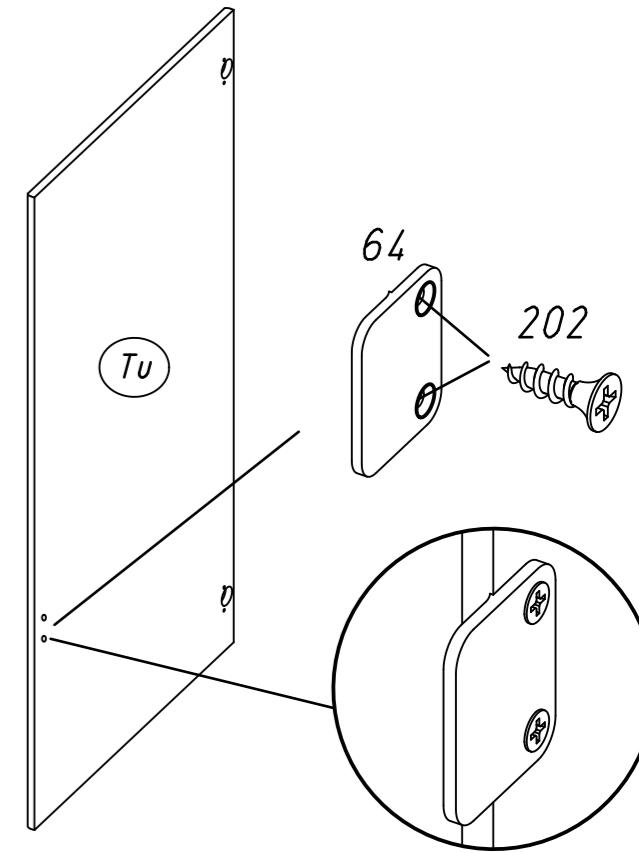
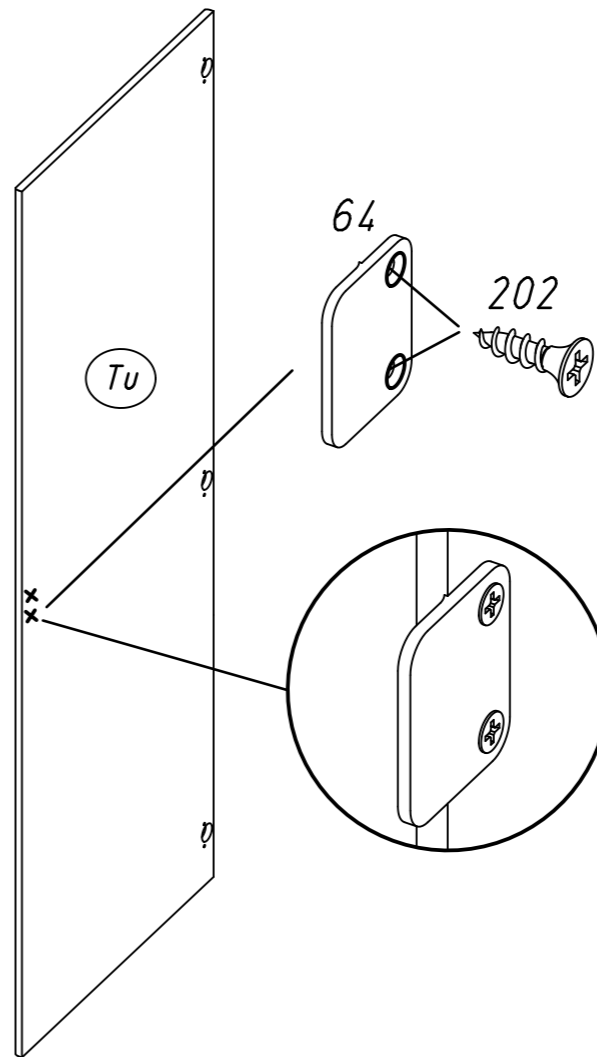


1x Tu = 2x 202

2x Tu = 4x 202

3x Tu = 6x 202

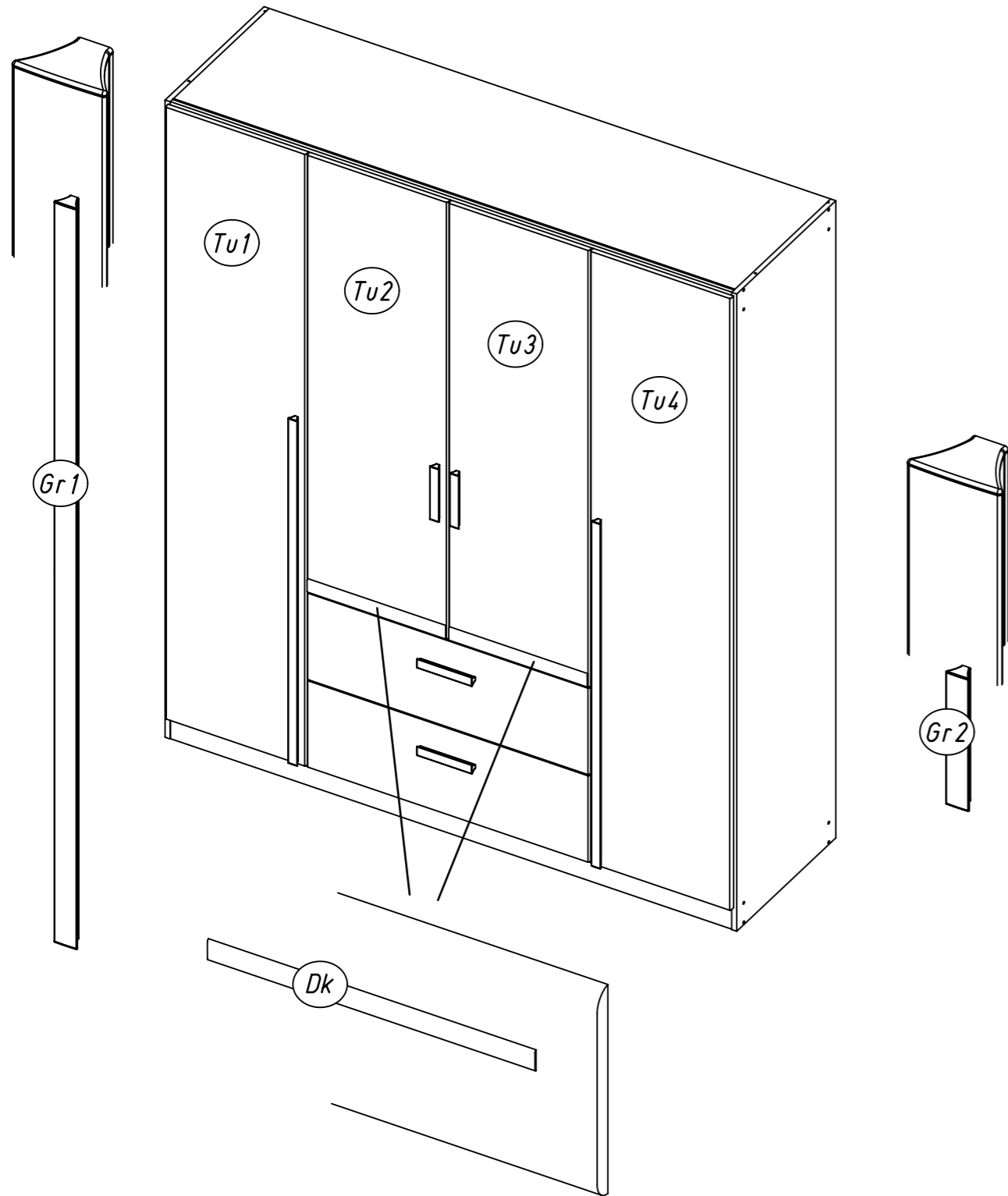
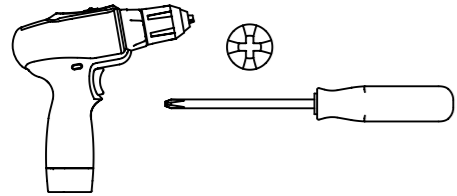
⋮



1.

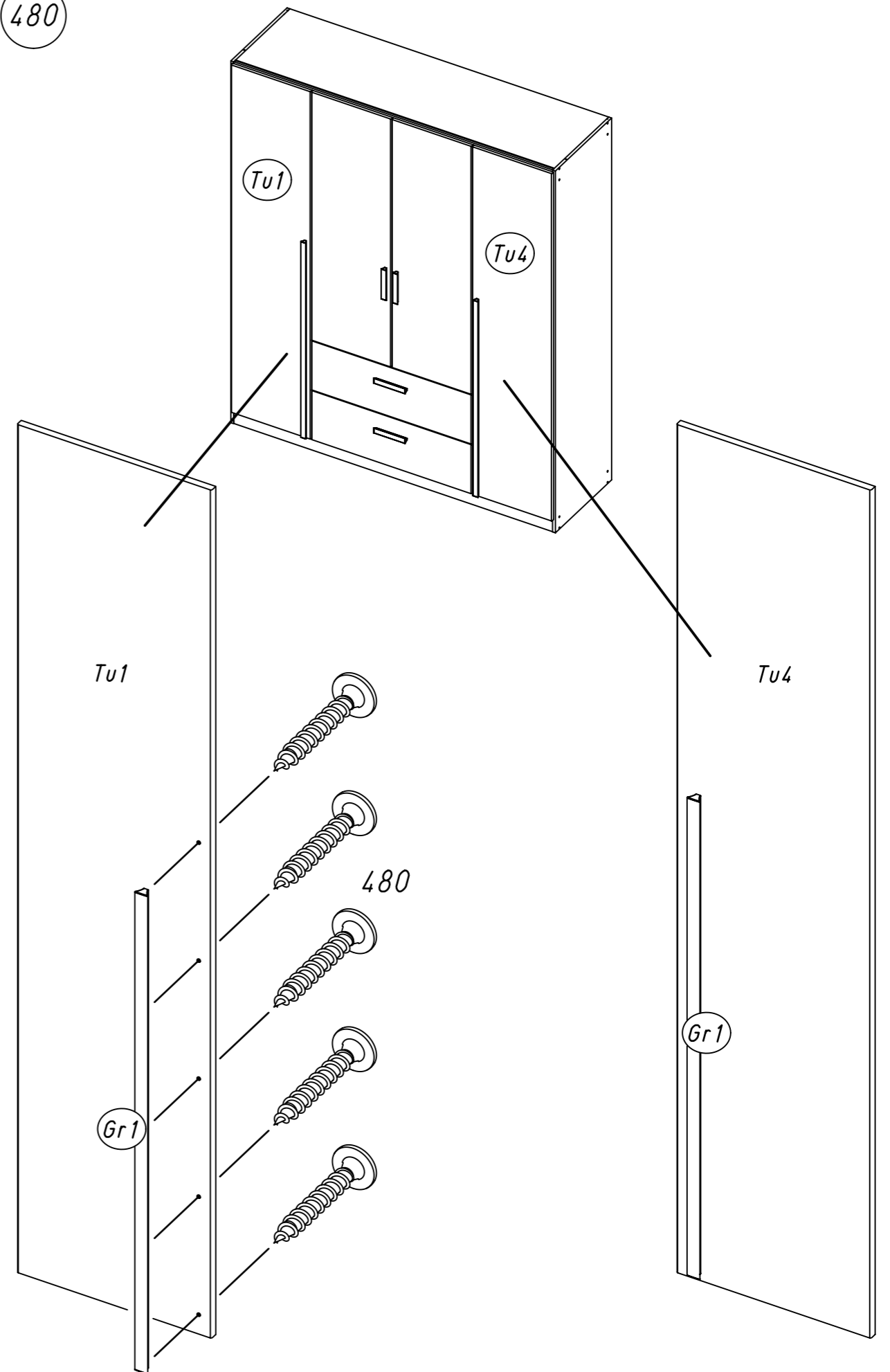
ME848_01

rauch



2.

480



3.

