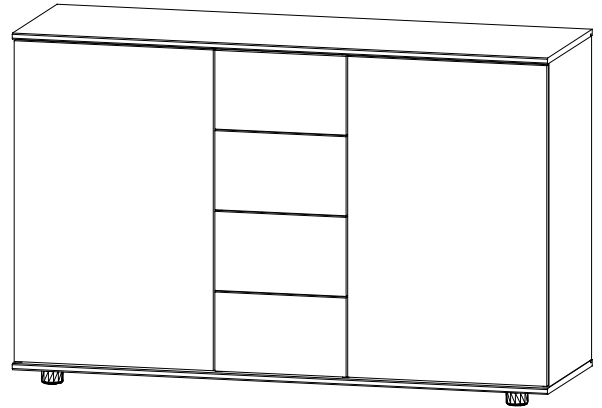
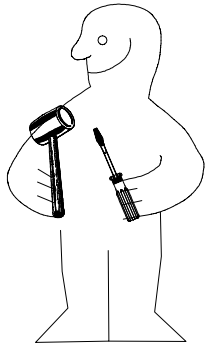
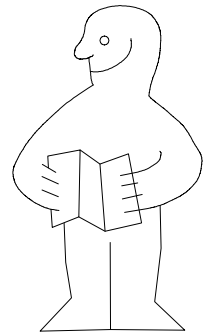
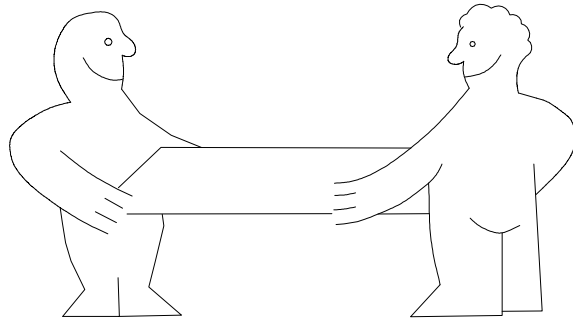
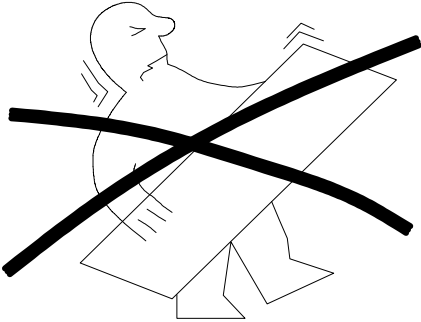


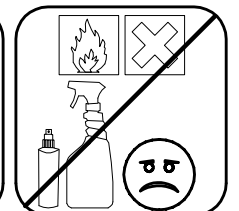
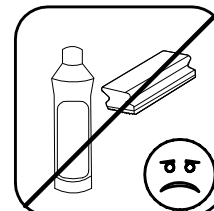
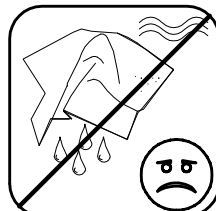
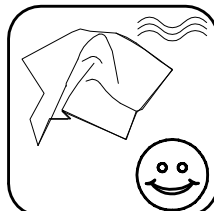
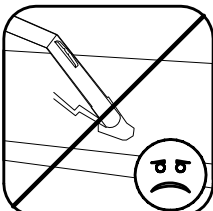
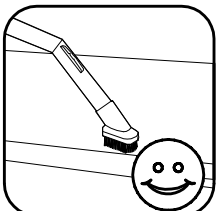
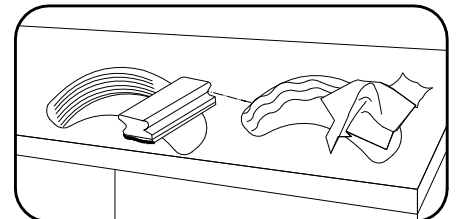
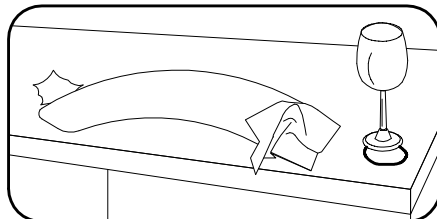
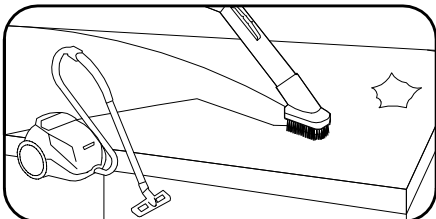
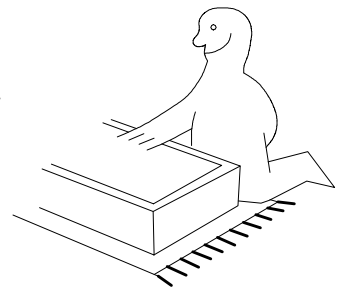
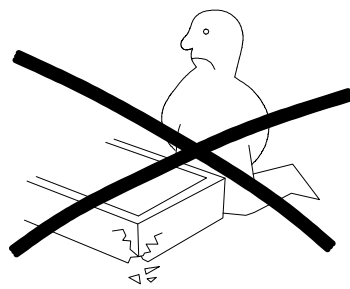
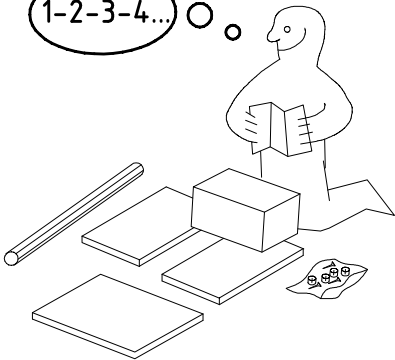
980104



704



1-2-3-4... ○


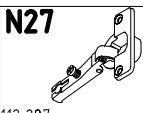
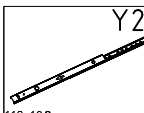





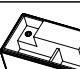



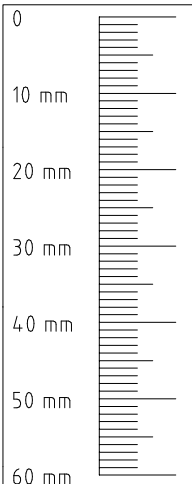
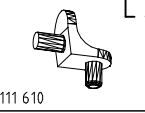
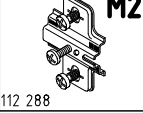
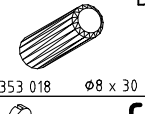

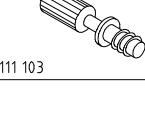
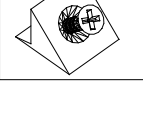


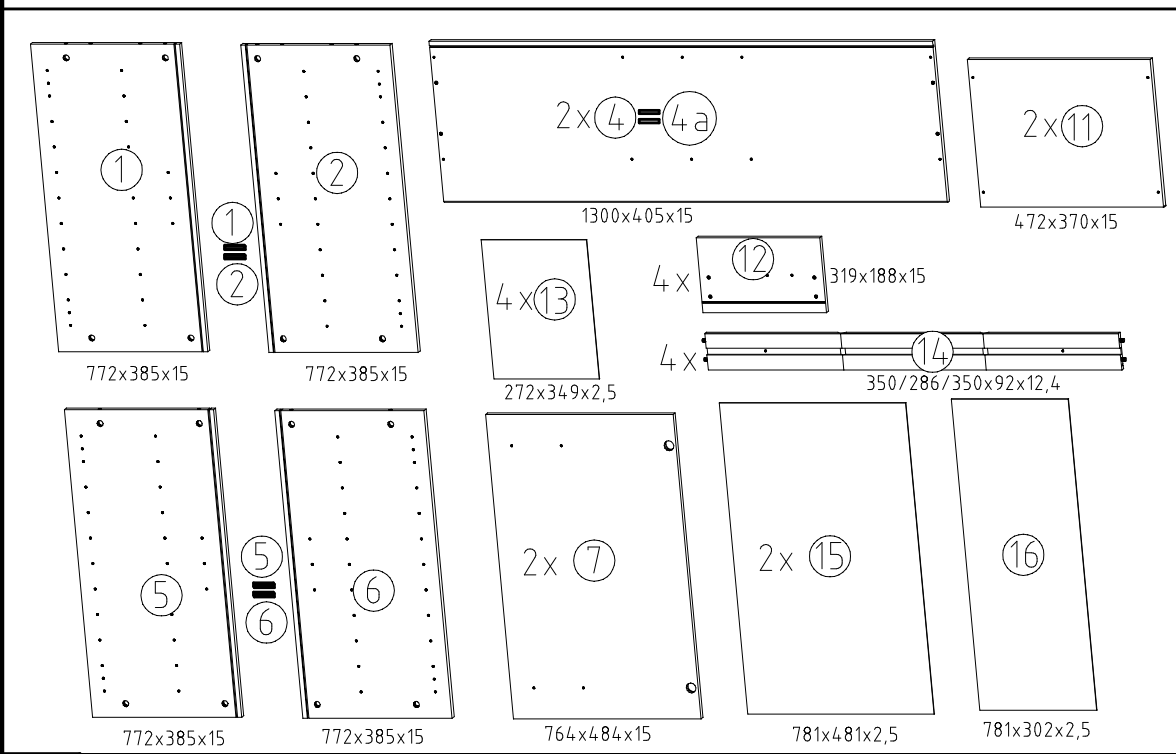
980104

27.02.14 / 11.09.17

09 17

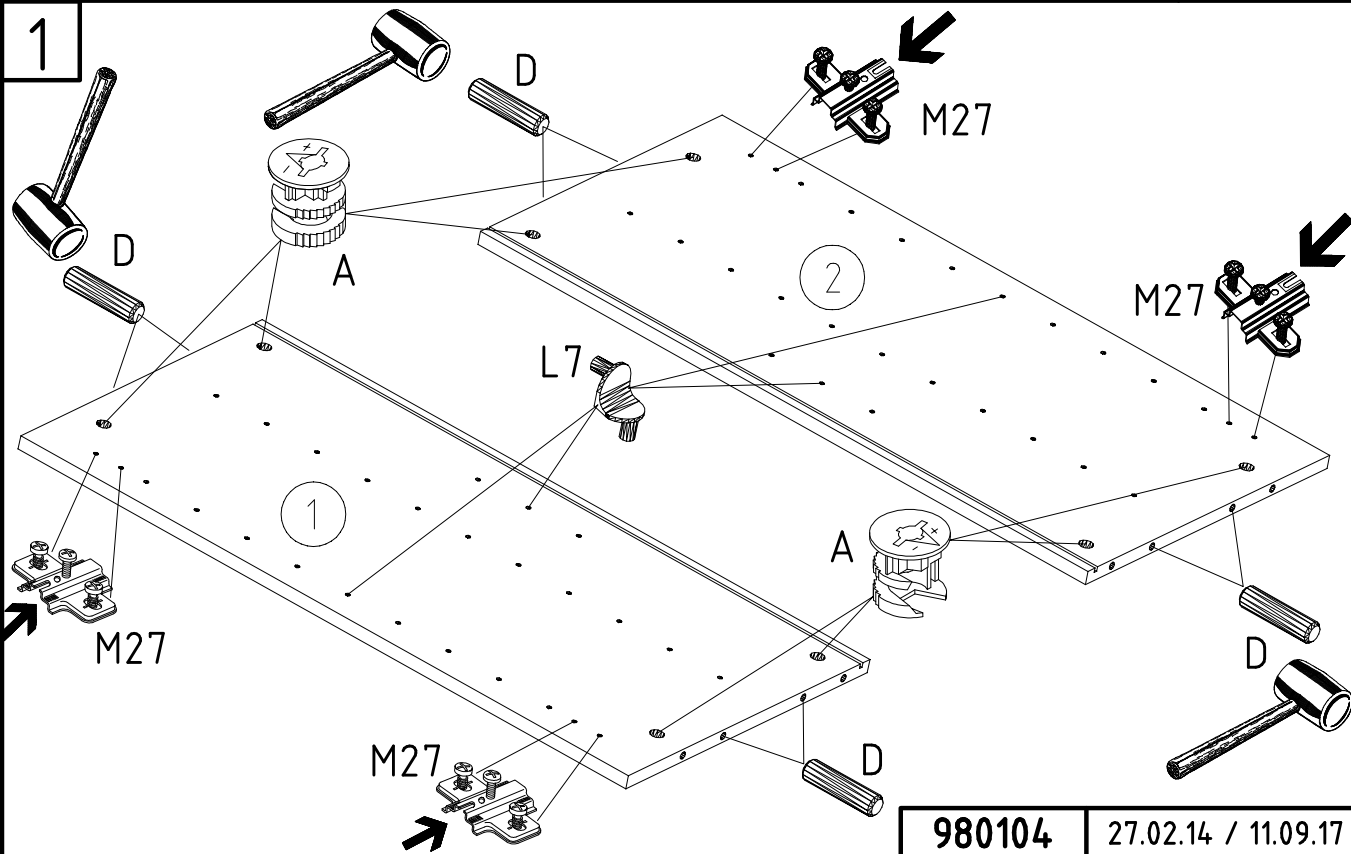
1/7

 111 102	A 16x	 112 287	N27 4x	 112 198 M4 x 9 mm	Y20 8x	 111 015 M6 x 10	G8 8x	 112 616 3,5 x 15 mm	T3 16x	 121 370	G1 8x	 121117	SG 25 6x	 121117	SG 25 4x	 121117	RG 2x	 121117	SP23 6x	 121117	SP23 4x	 121117	SP23 8x	
 111 610	L7 8x	 112 288	M27 4x																					
 353 018 Ø8 x 30	D 8x	 163 007	Z 2x																					
 111 103	C 16x	 163 007	SBV 4x																					



Tools and safety icons:

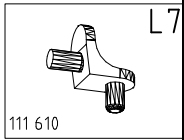
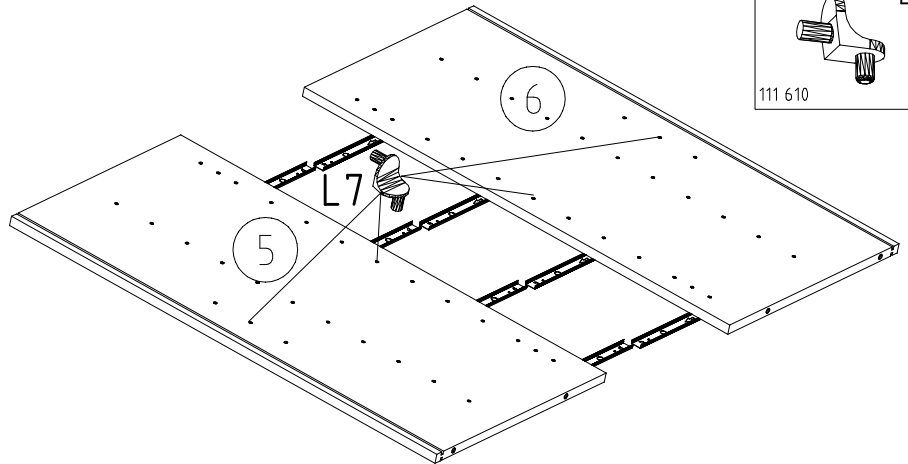
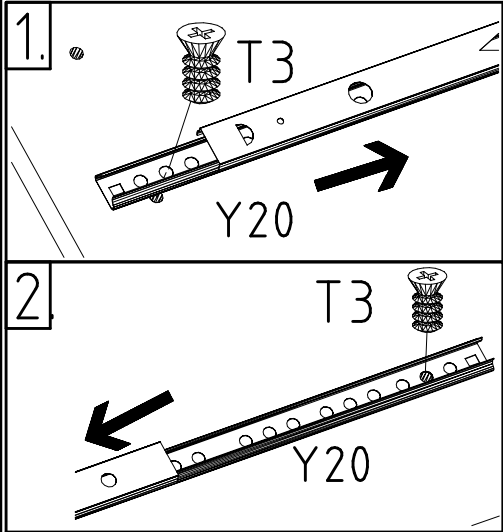
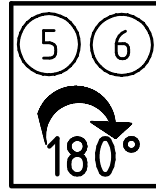
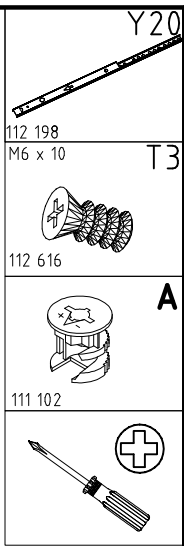
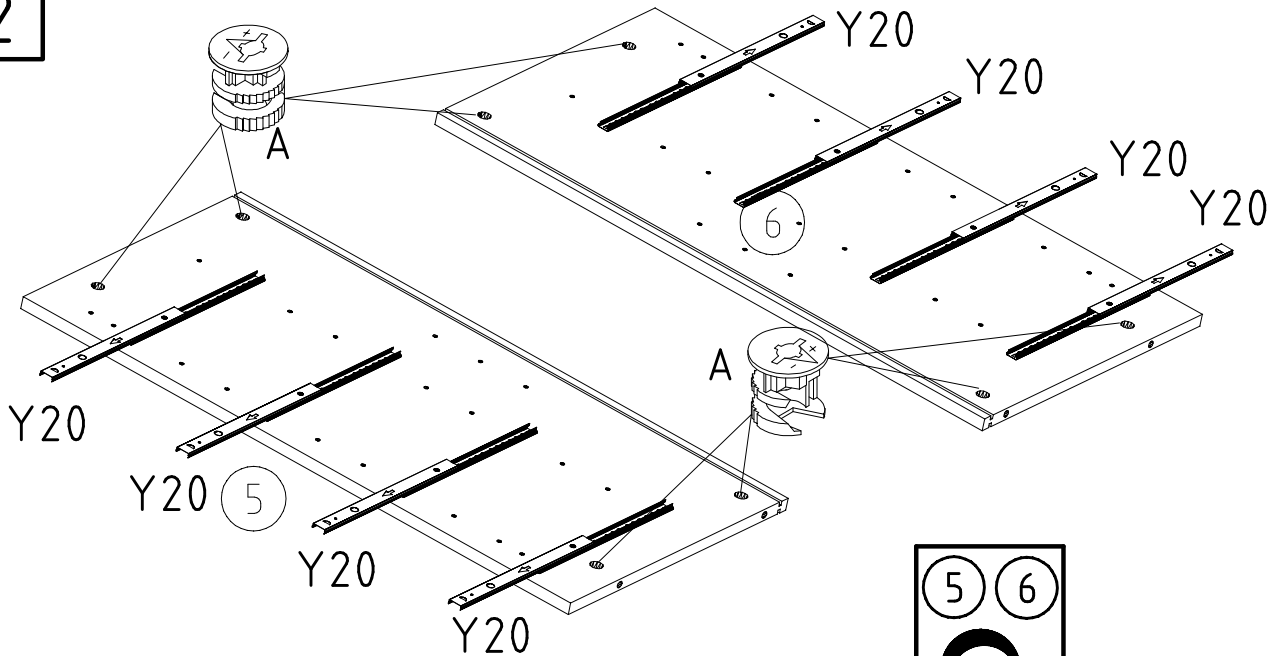
- Two people icon (Safety)
- Mallet icon
- Screwdriver icon (+)
- Drill icon
- Level icon
- 5mm drill bit icon (Ø 5mm)



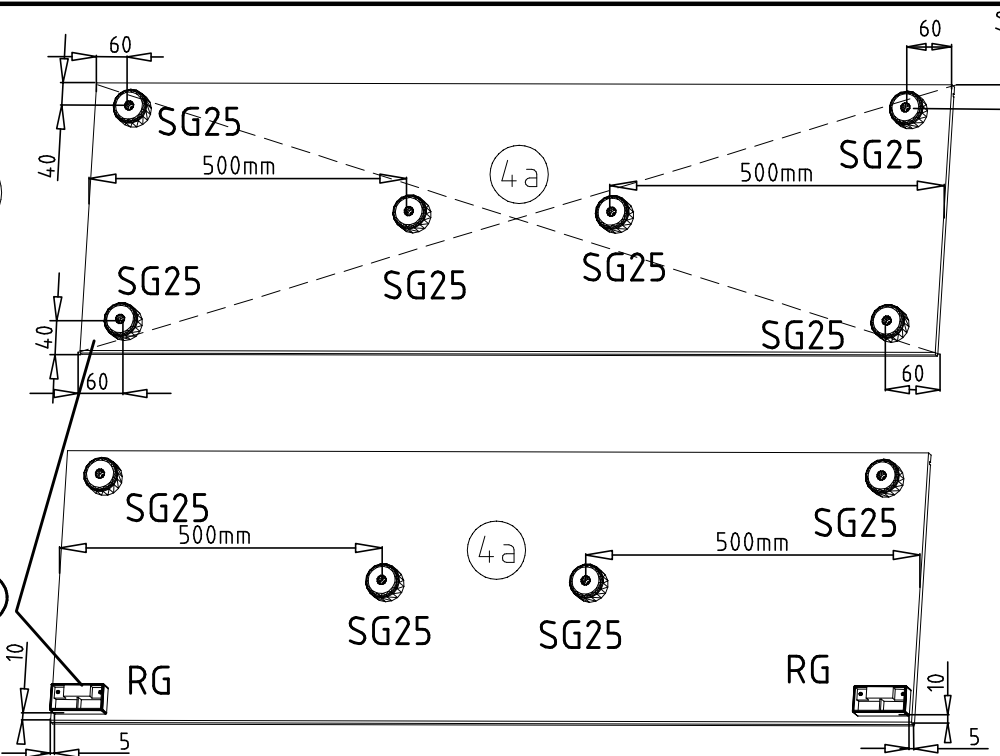
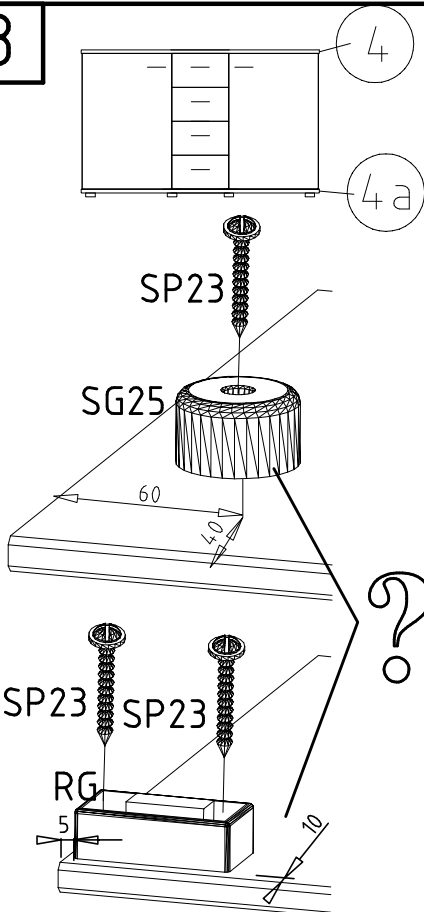
Parts list for step 1:

- Part D: 353 018 Ø8 x 30
- Part M26: 112 286
- Part A: 111 102
- Part L7: 111 610

2



3



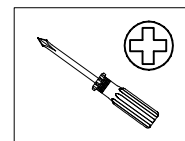
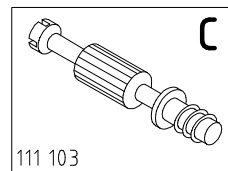
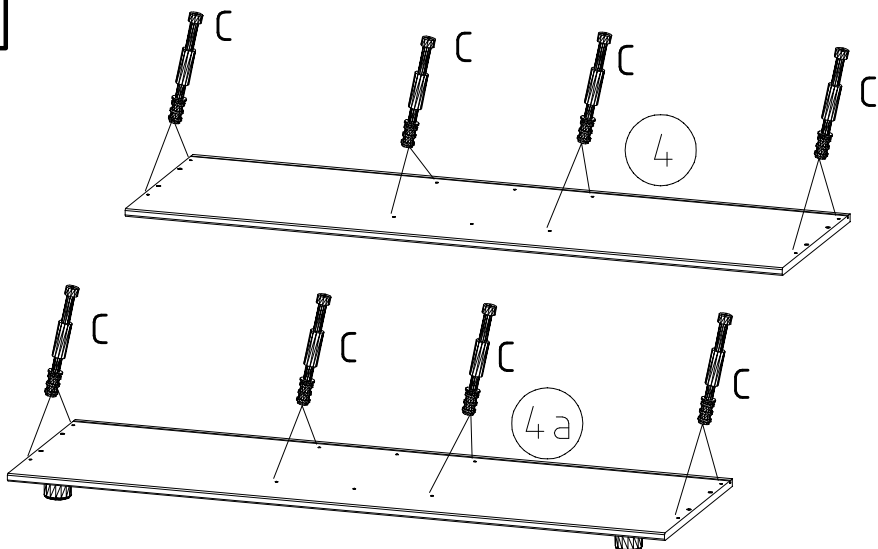
980104

27.02.14 / 11.09.17

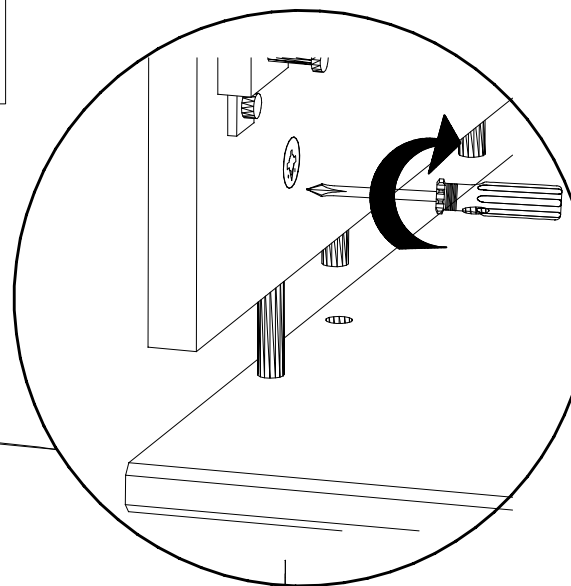
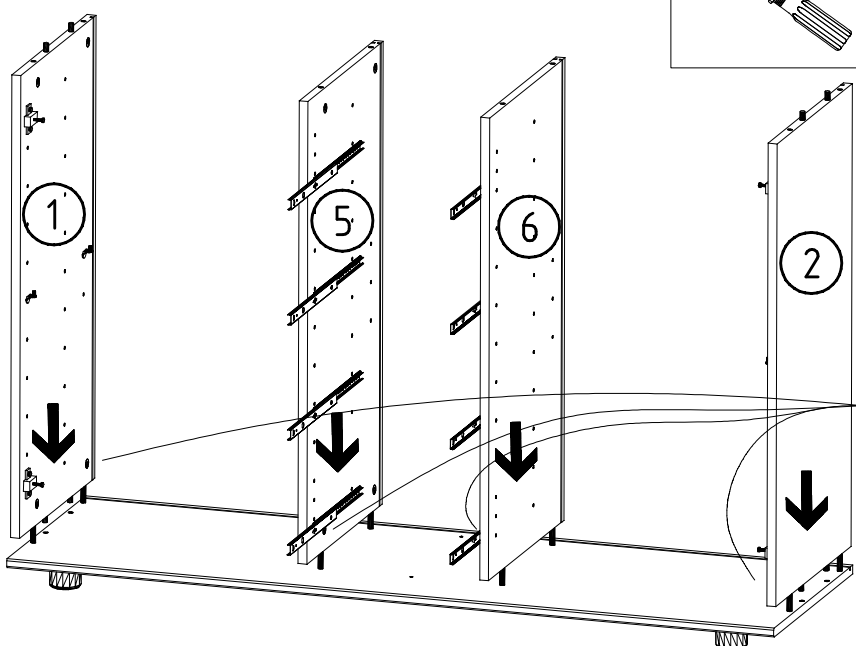
09 17

3 / 7

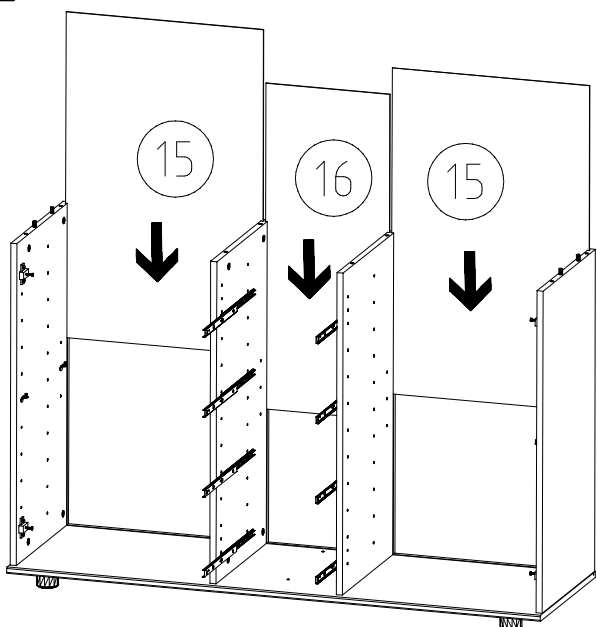
4



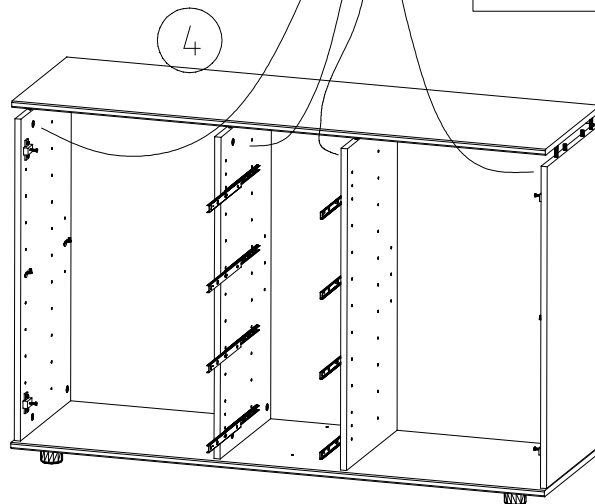
5



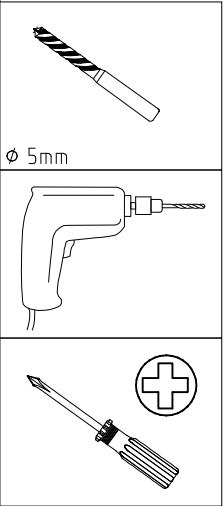
6



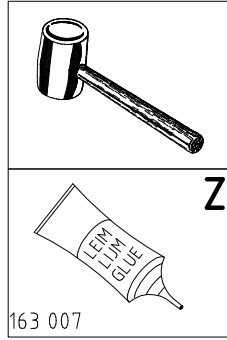
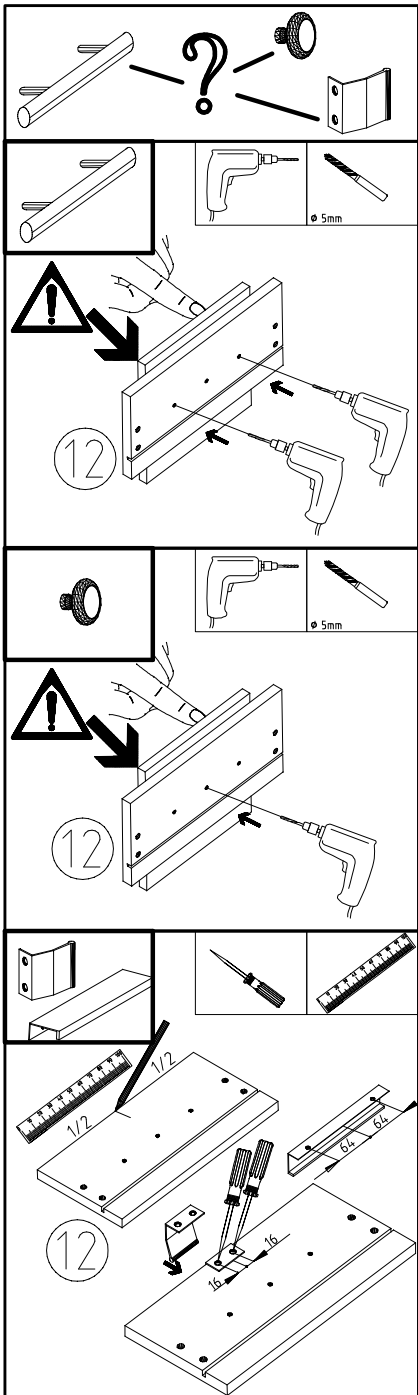
7



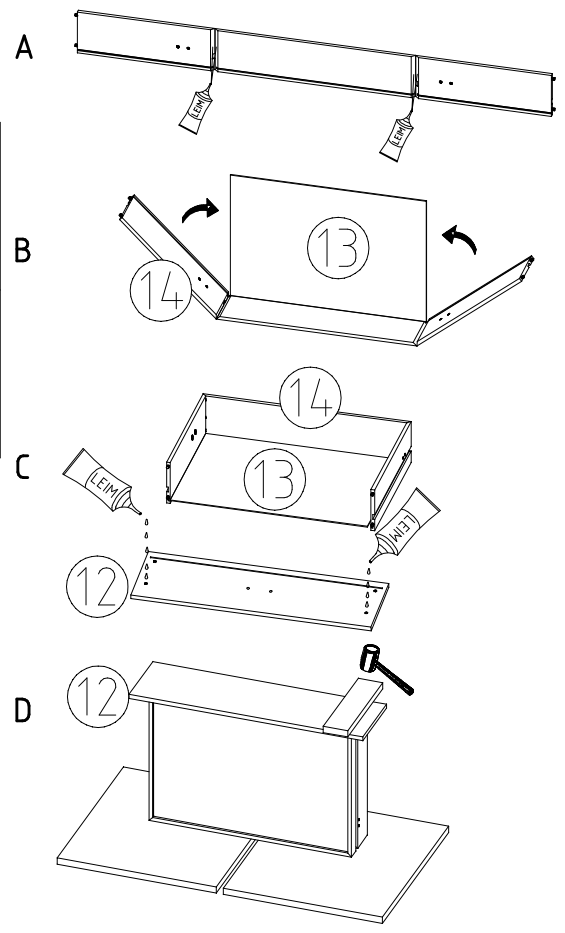
8



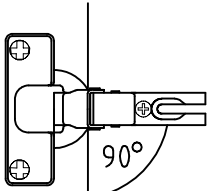
∅ 5mm



Z

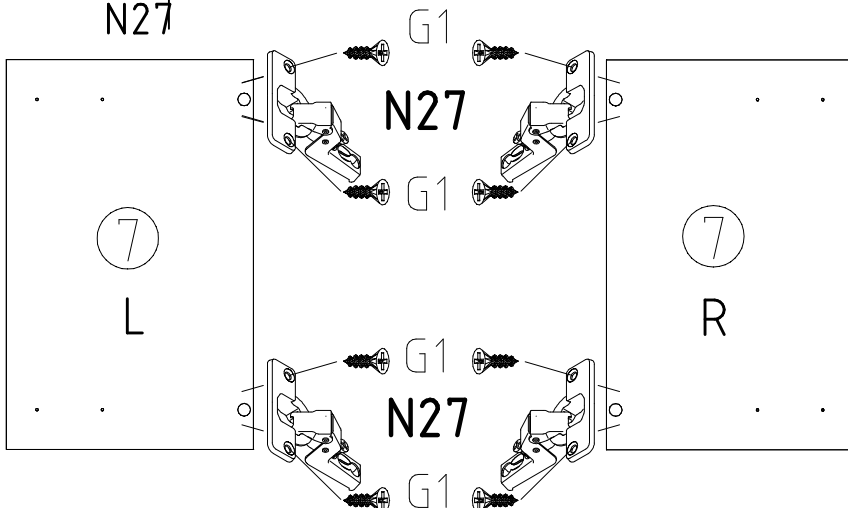
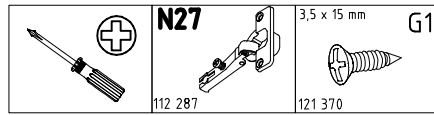


9

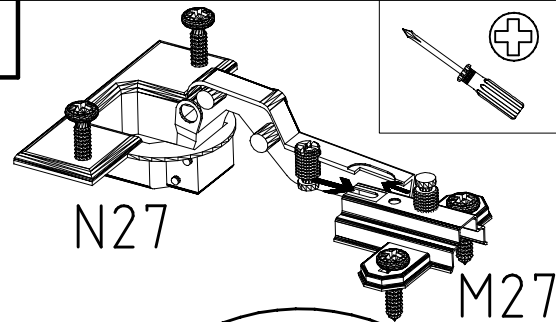


N27

90°

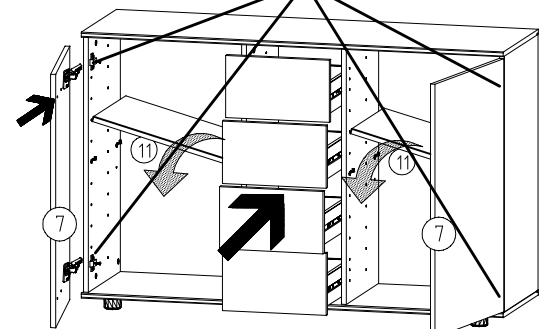
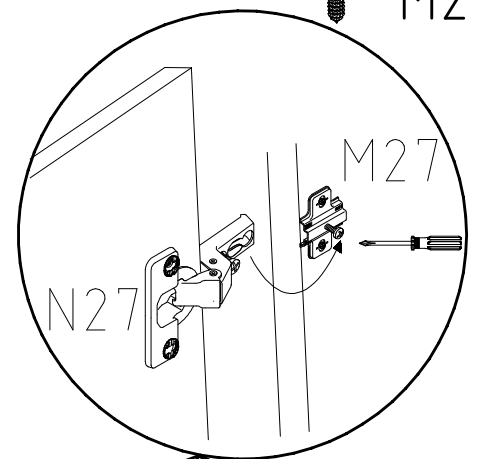


10

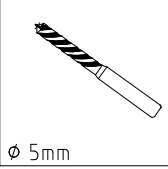


N27

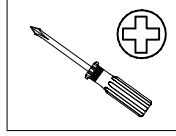
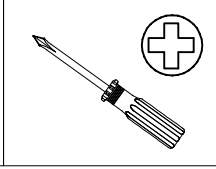
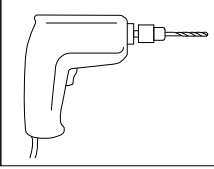
M27



11



∅ 5mm

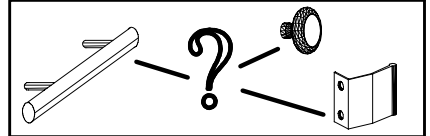
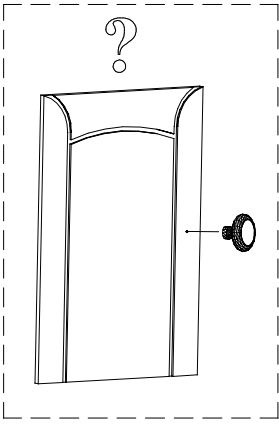
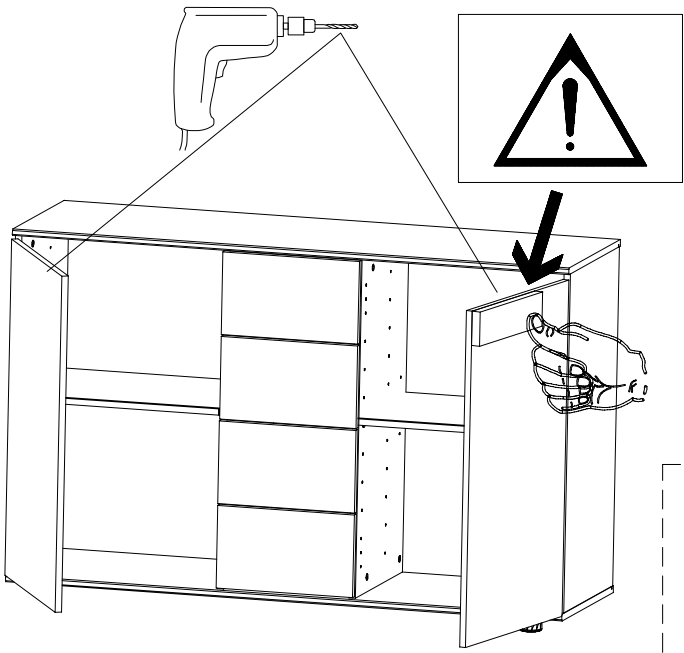
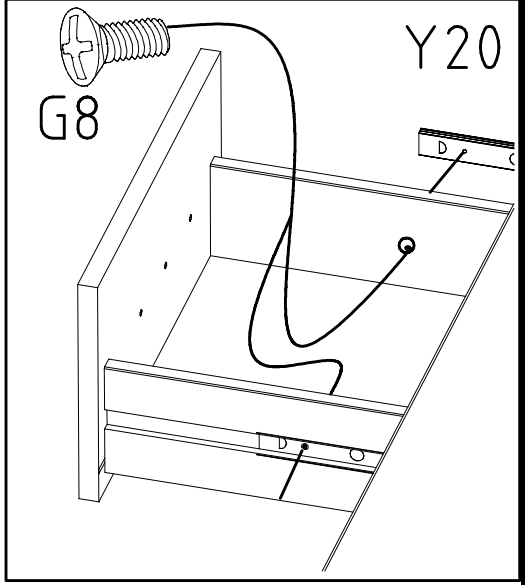


M4 x 9 mm

G8

111 015

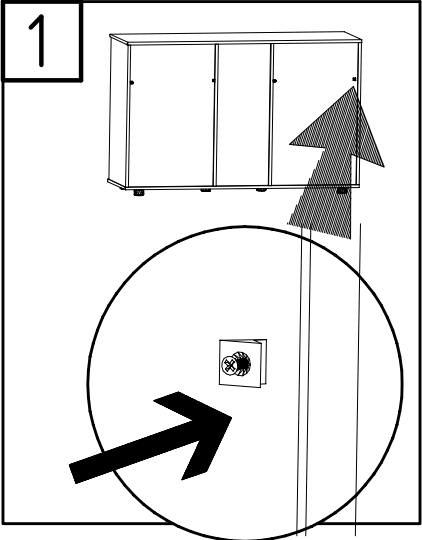
Y20



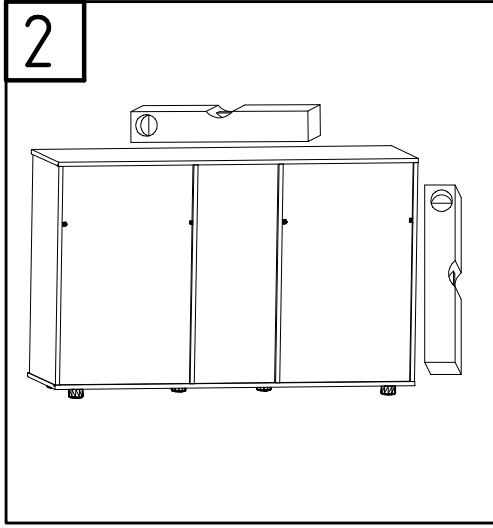
8

12

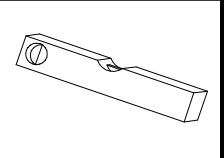
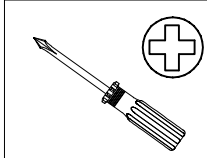
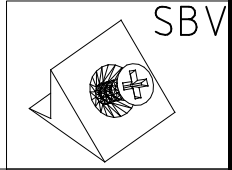
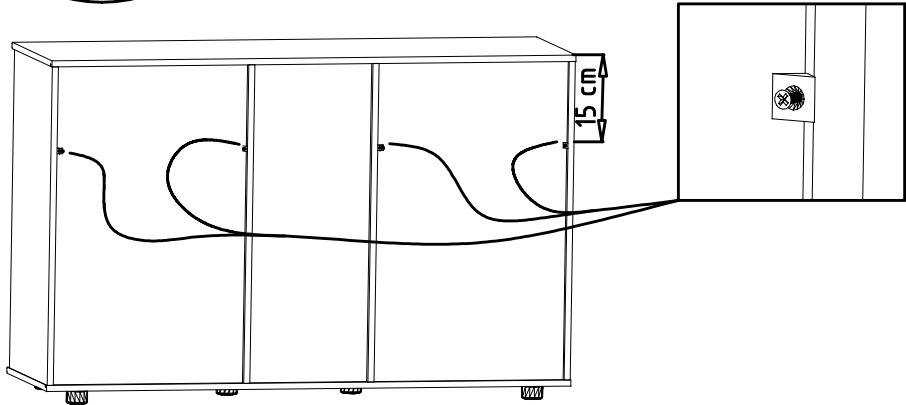
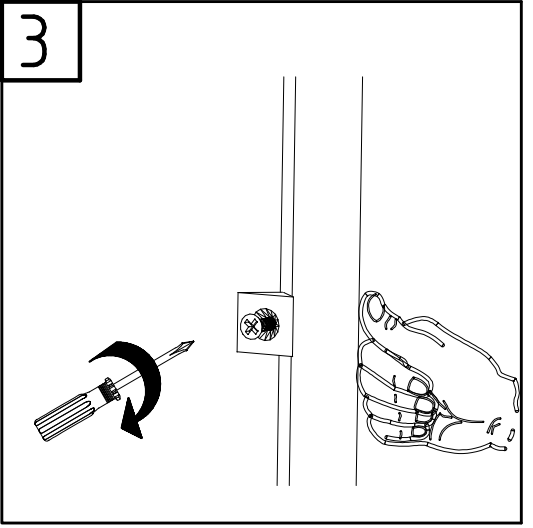
1



2



3



980504

