





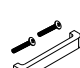



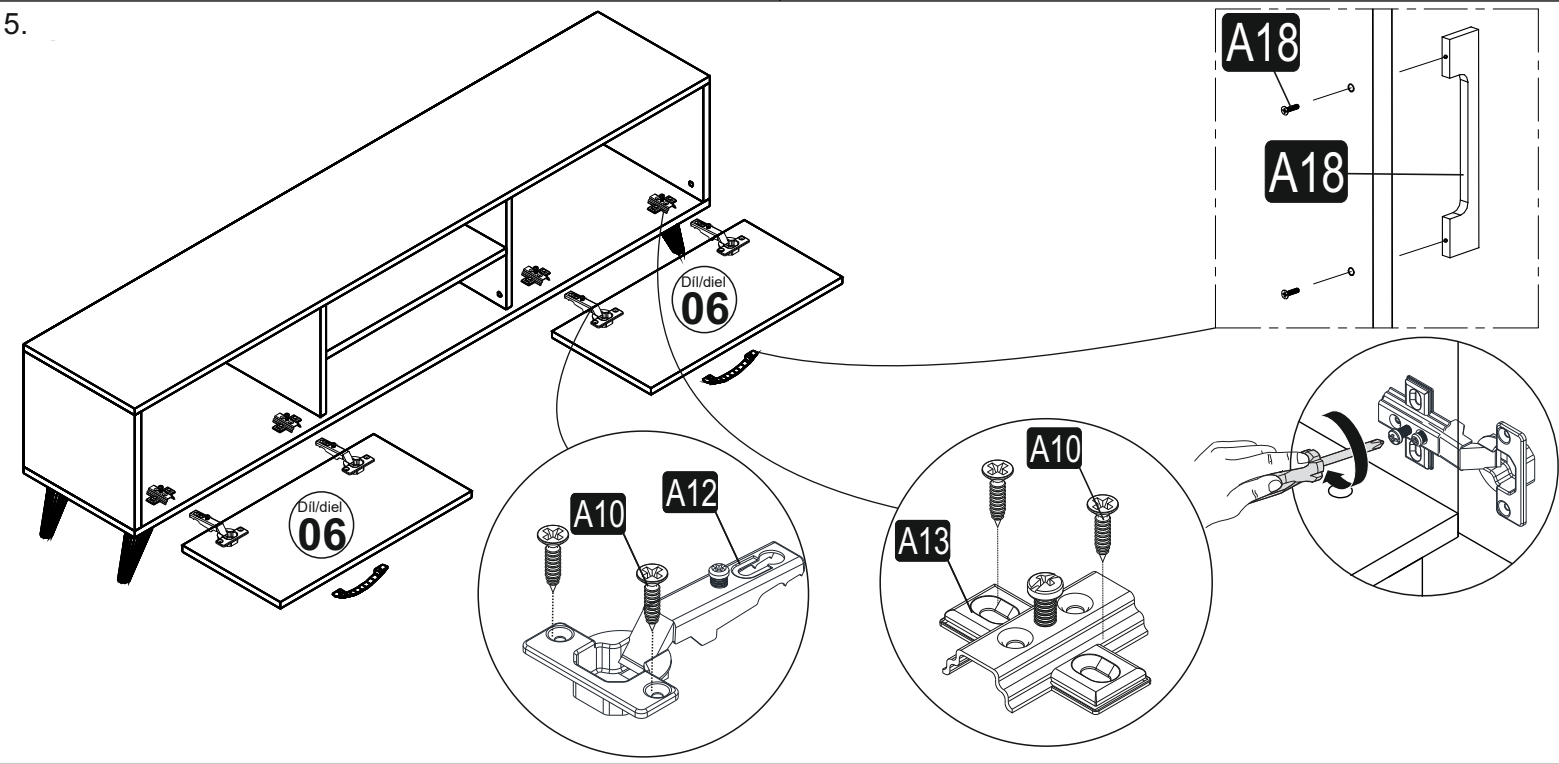
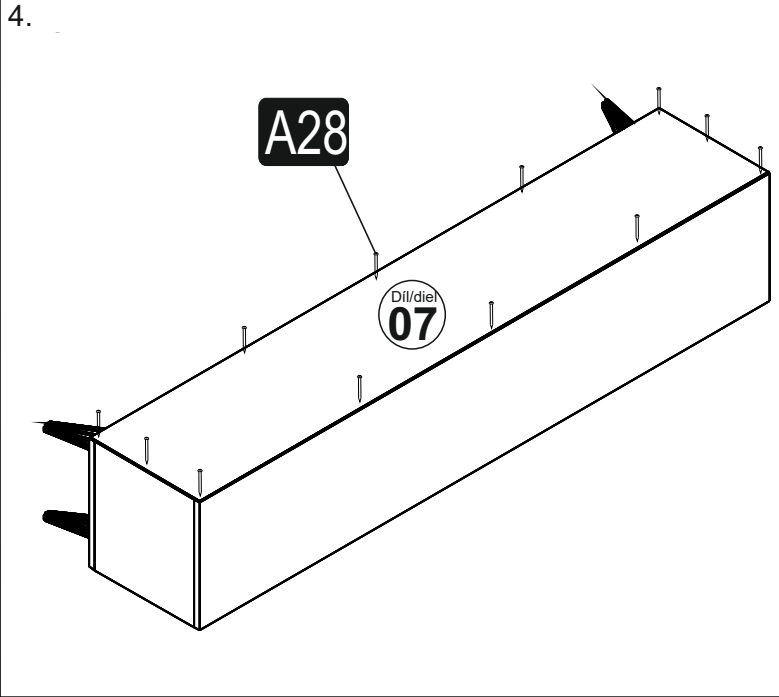
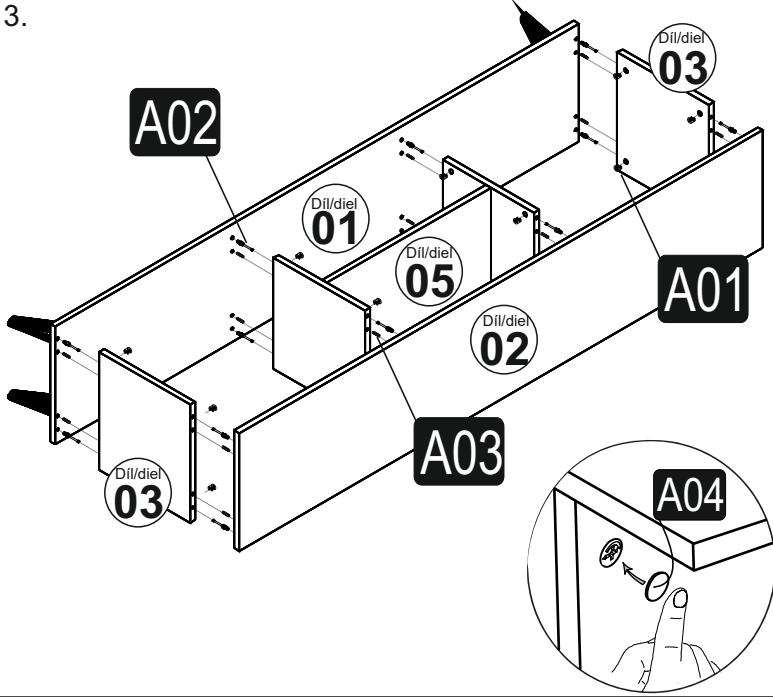
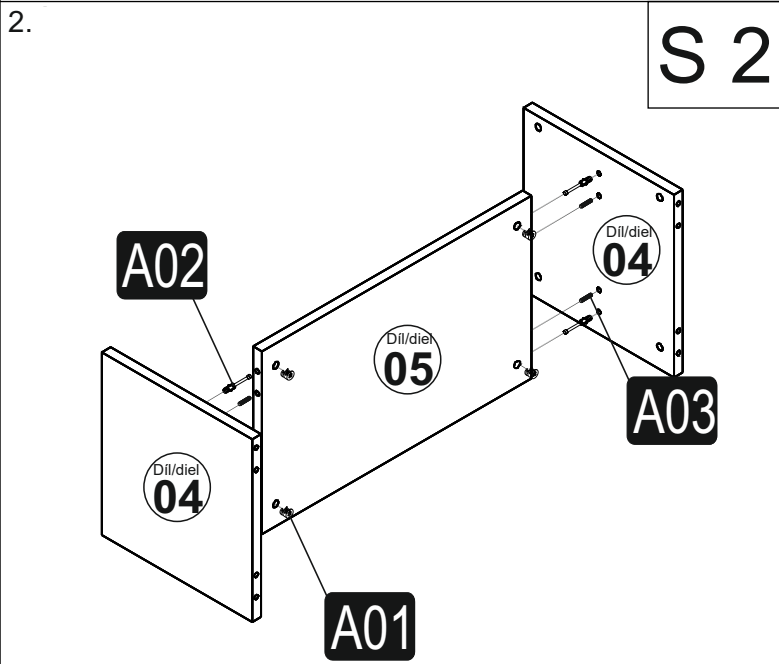
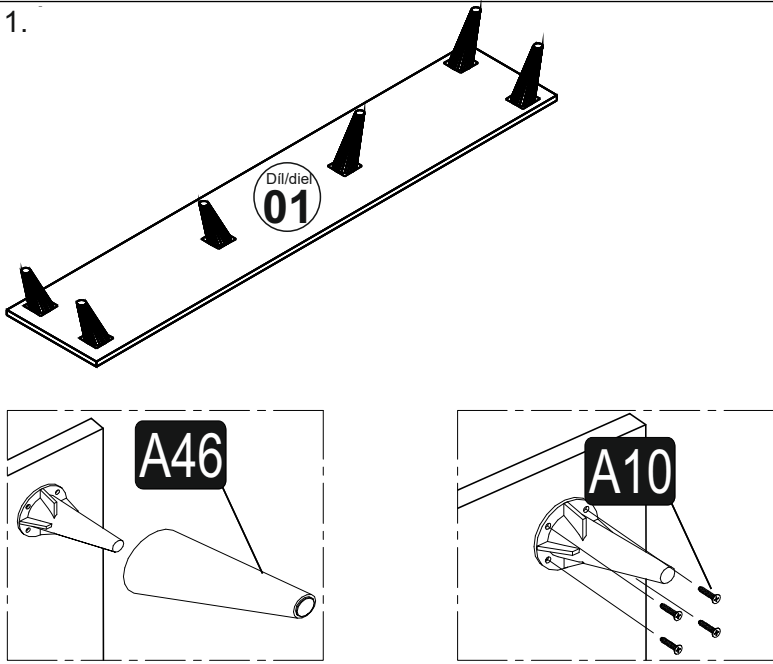
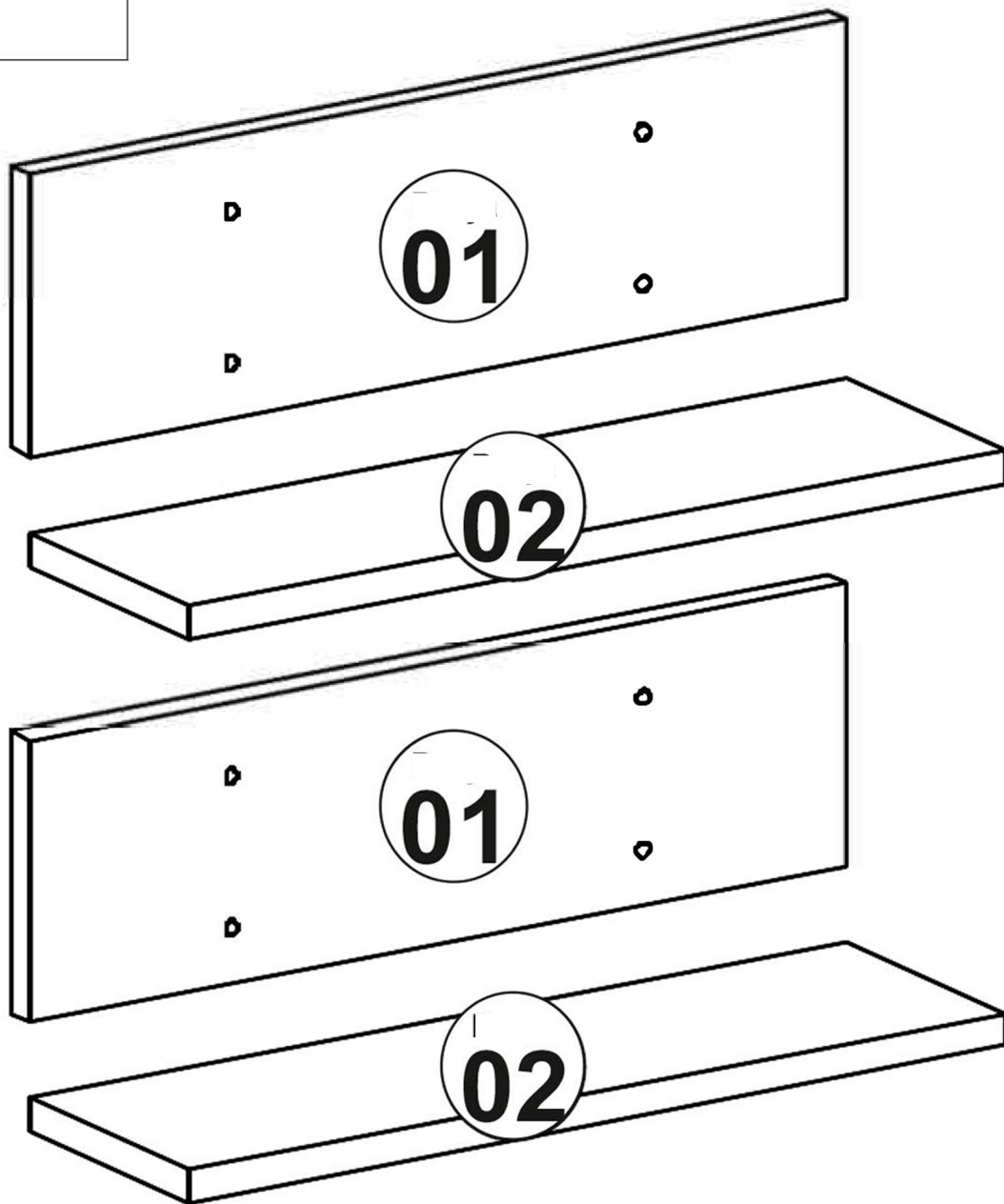
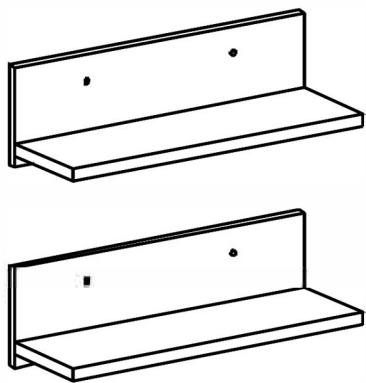


					NO									
 A01	20x	 A02	20x	 A03	20x	 A10	40x	 A04	20x	1	1800	350	18	1
 A28	12x	 A18	2x	 A46	6x	 A12	4x	 A13	4x	2	1800	350	18	1
										2	314	350	18	2
										2	314	330	18	2
										1	564	330	18	1
										2	308	600	18	2
										1	1795	345	3	1





4\*50



4x

5\*70



4x

A08



4x

A10



4x

NO

1

600

150

18

1

2

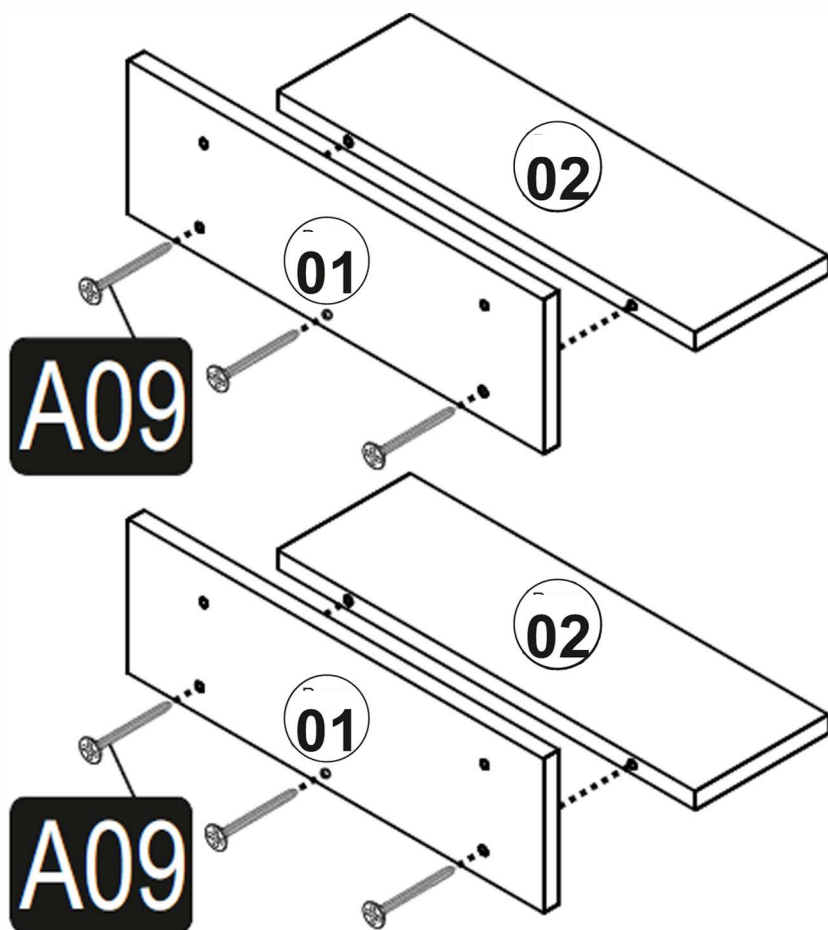
600

130

18

1

1.



2.

