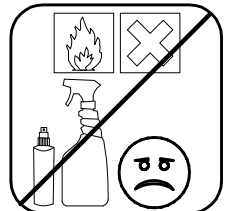
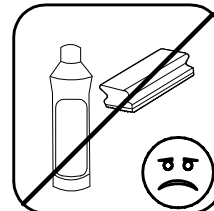
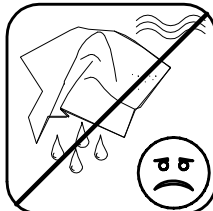
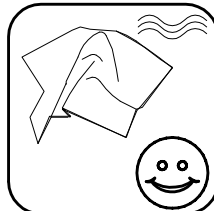
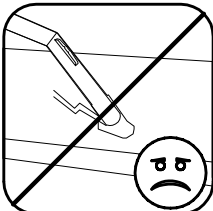
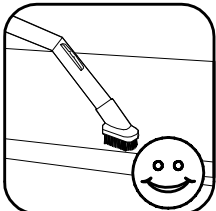
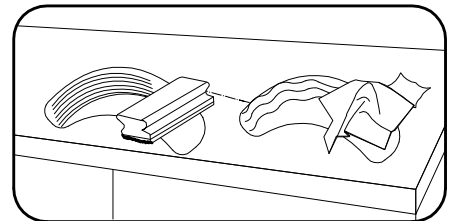
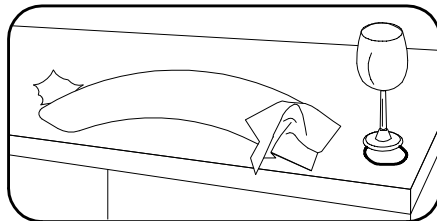
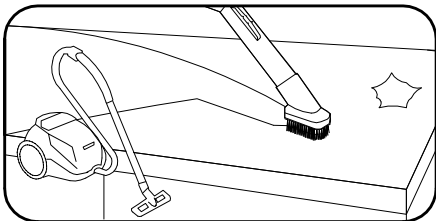
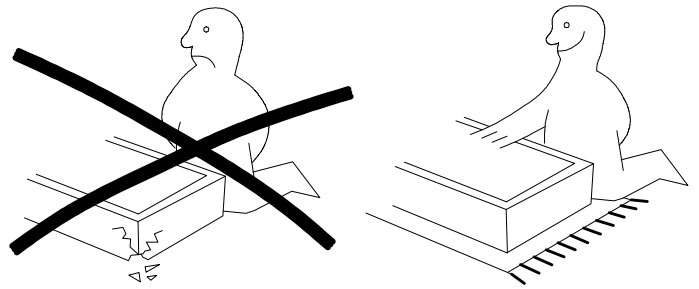
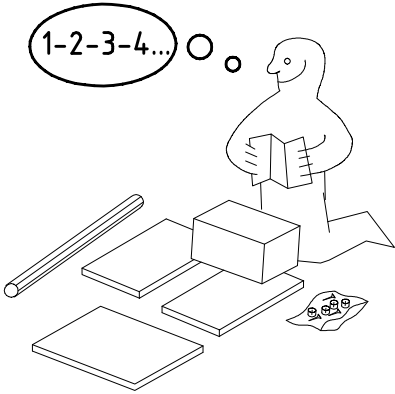
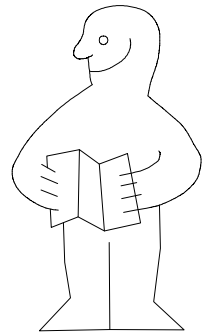
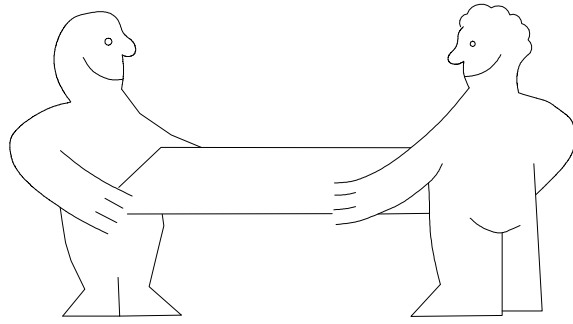
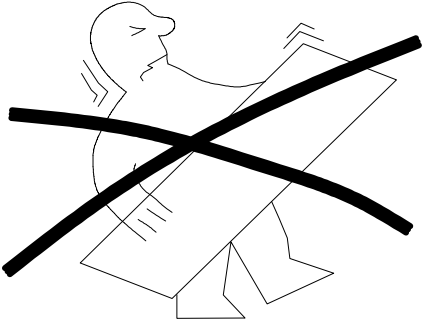
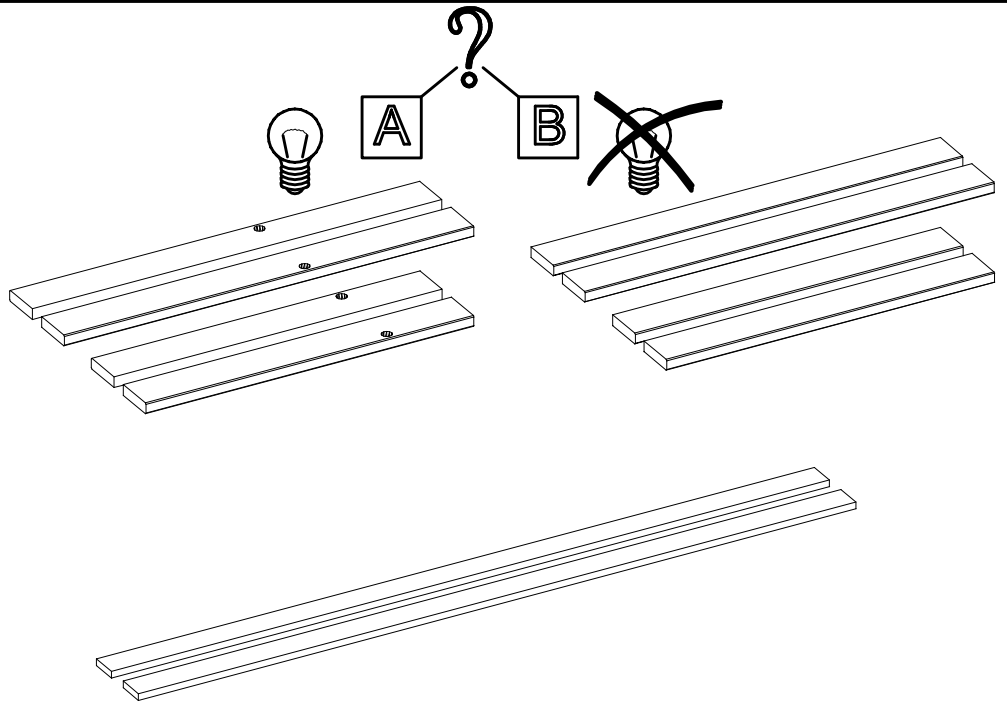
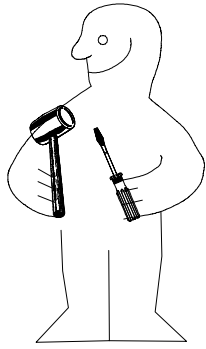
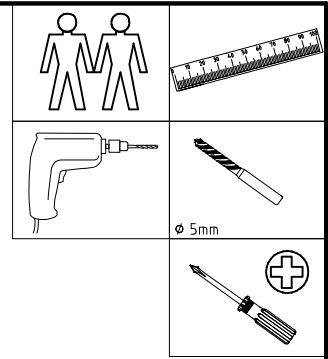


980014

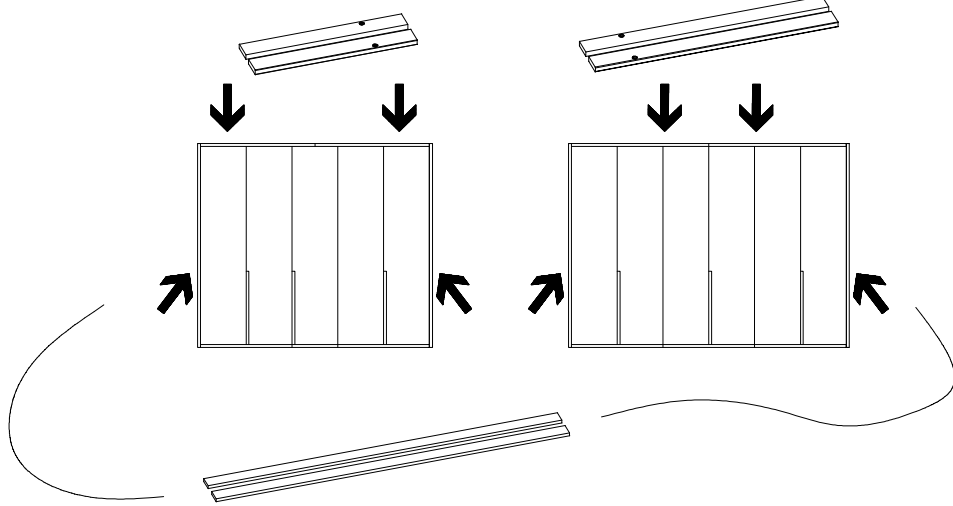


② 2x 231/1476 x 120 x 32



②B

②C

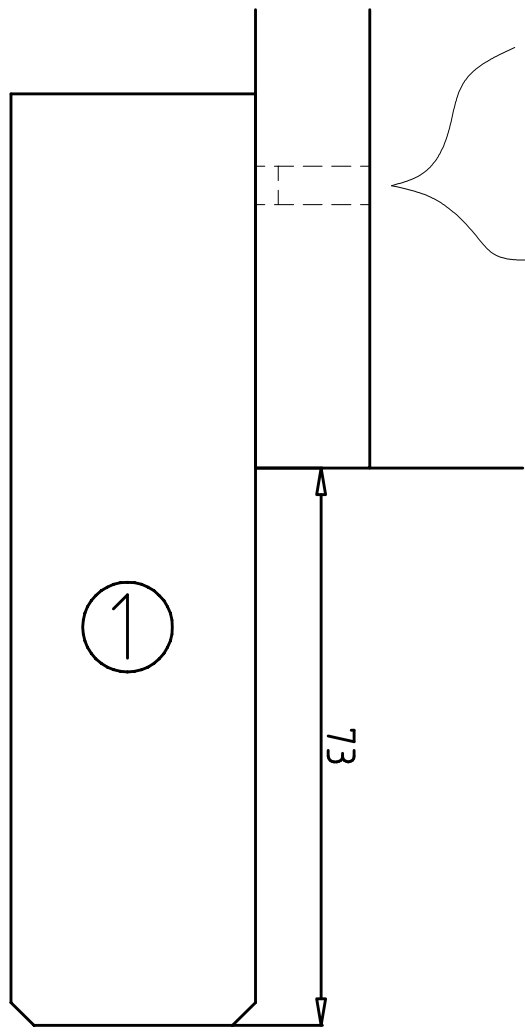


① 2x 2192 x 122 x 32

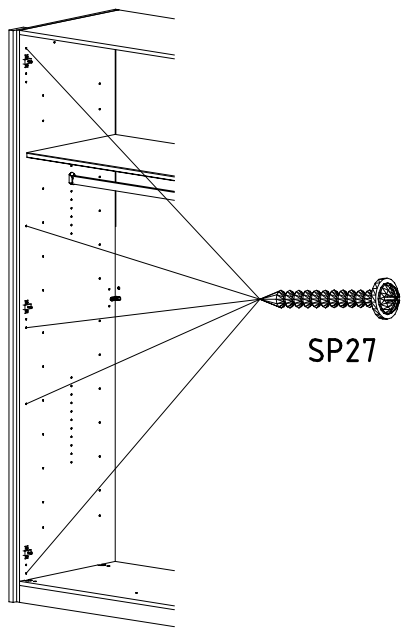
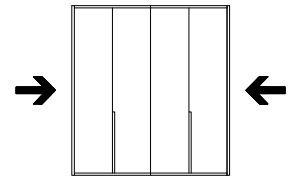
<p>4 X 27mm SP27 122620</p>		
	16x	18x

<p>4 X 15mm SP15 121 120</p>	4 X
<p>H5 114 183</p>	4 X

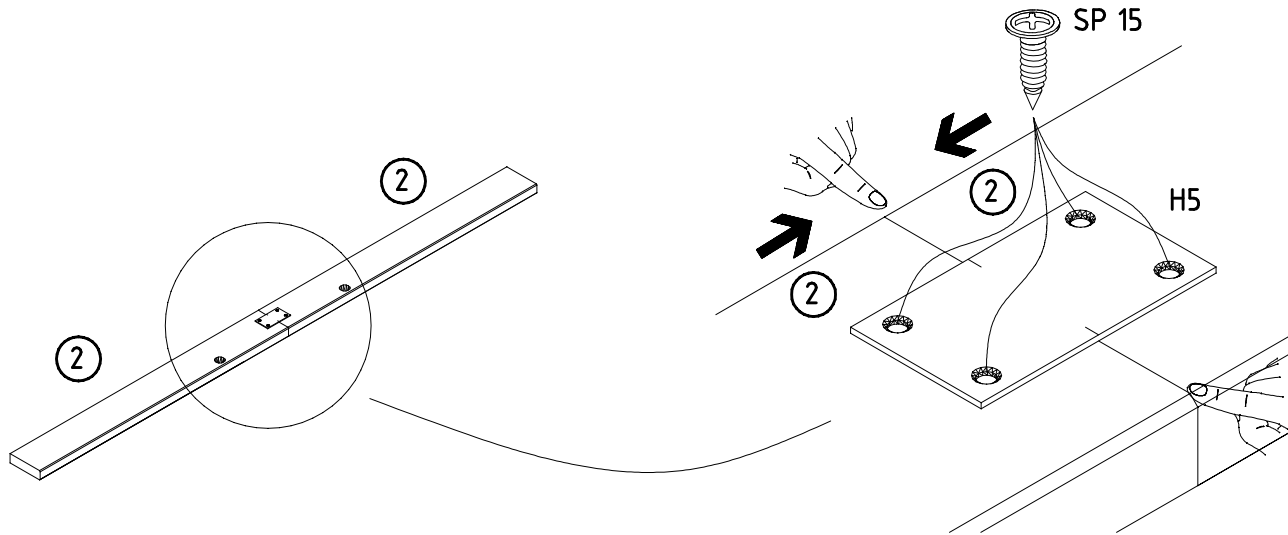
1



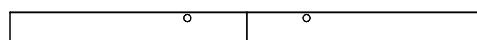
-
-



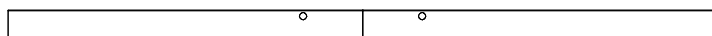
2



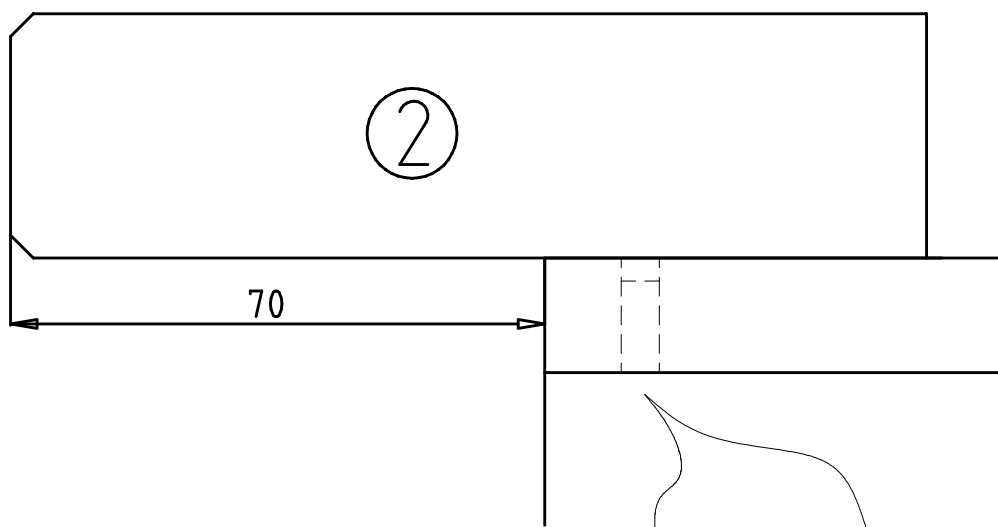
2B



2C

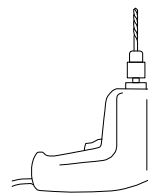


3



1.

2.



SP27

