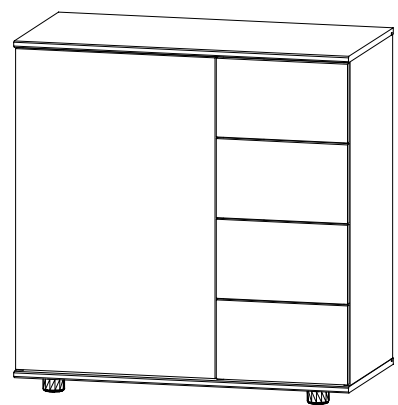
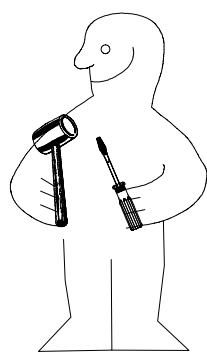
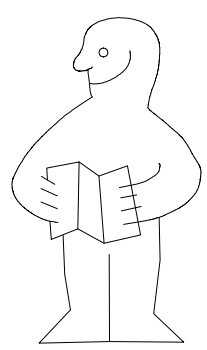
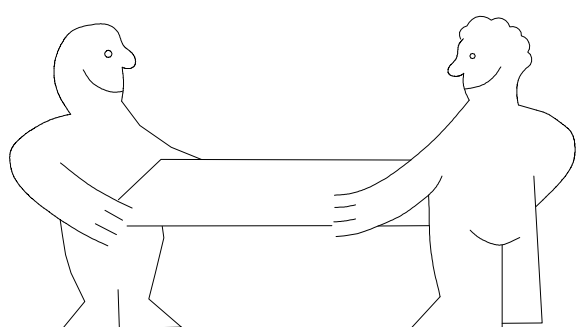
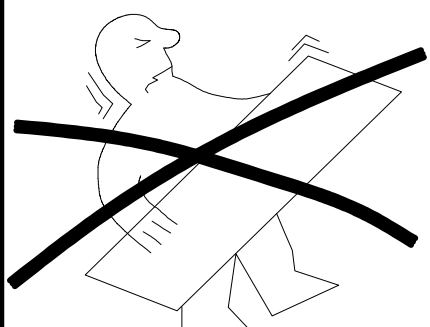


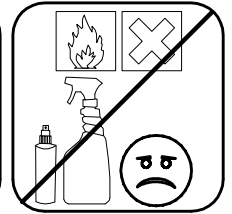
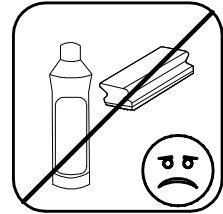
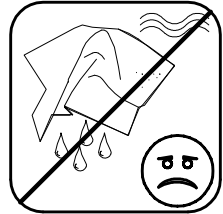
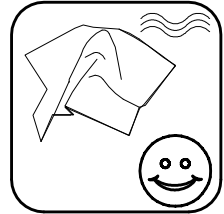
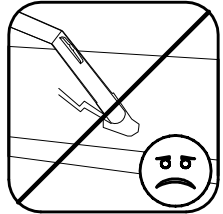
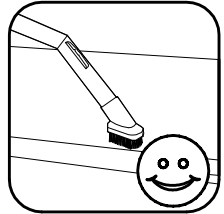
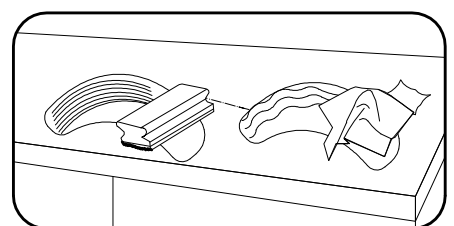
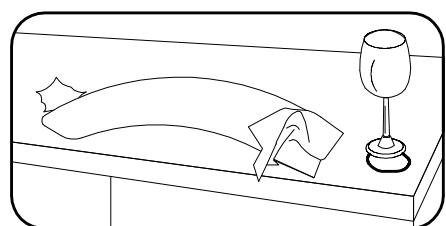
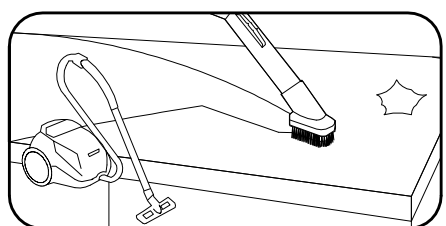
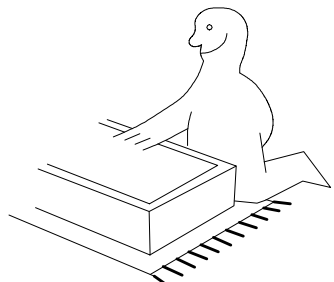
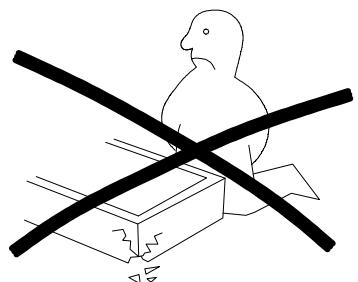
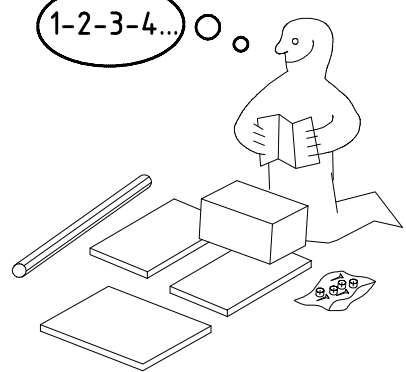
980110



710



1-2-3-4... ○ ○




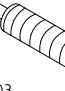



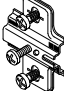


980110


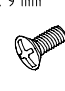


11.03.14 / 01.07.14

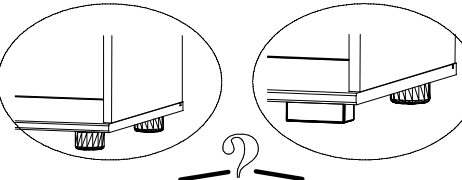
07 14






1 / 7

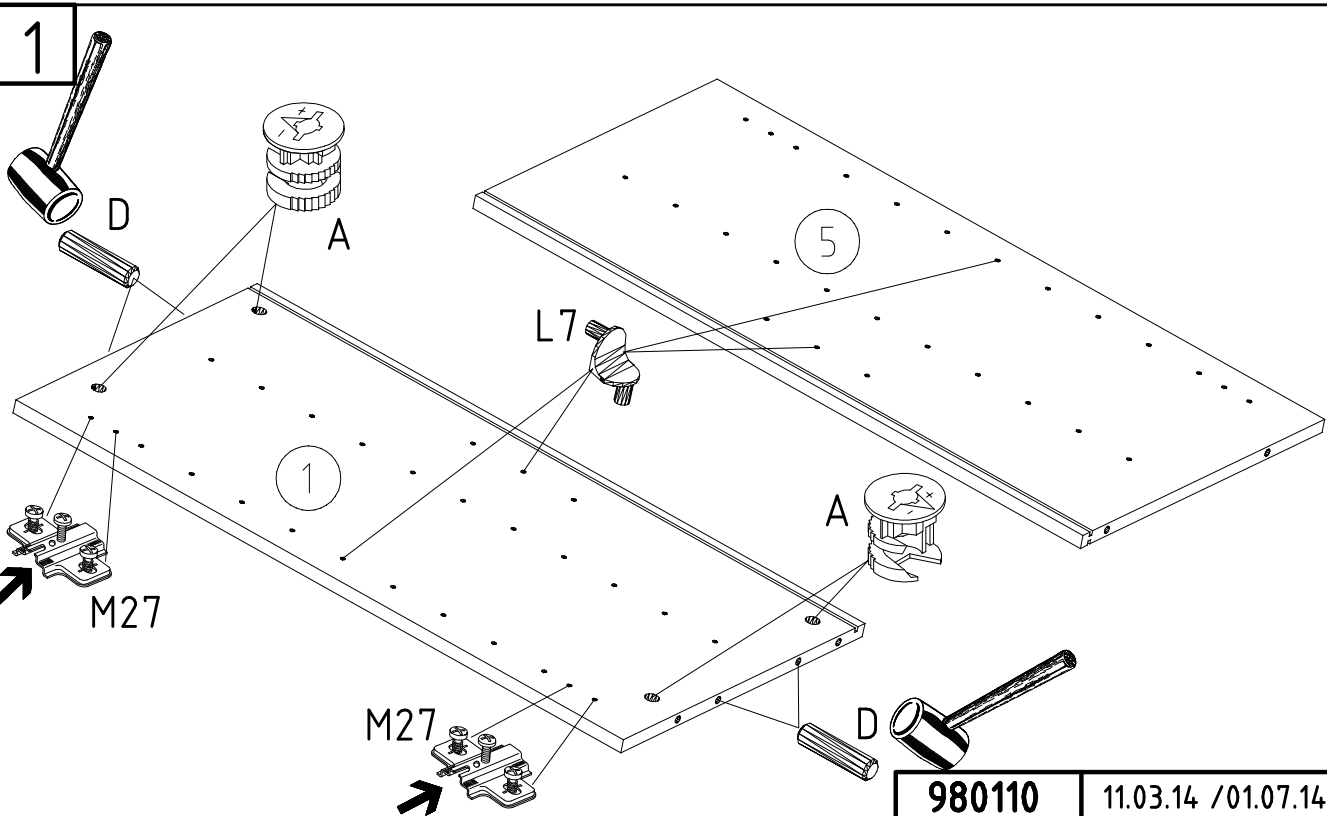
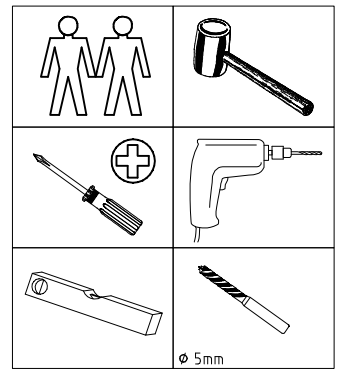
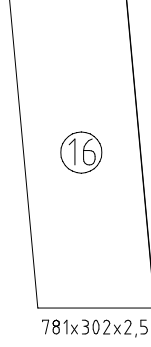
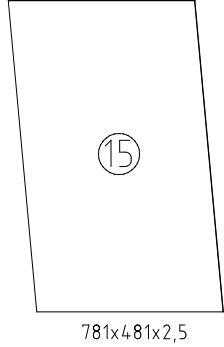
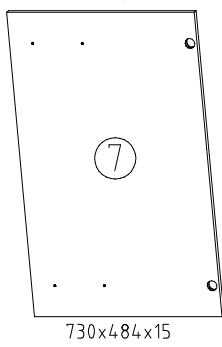
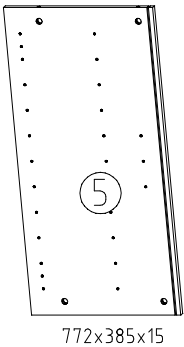
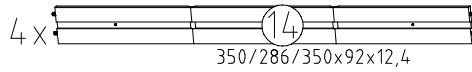
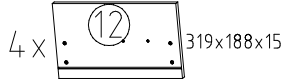
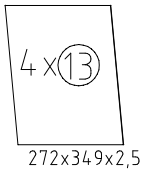
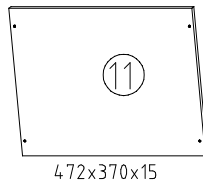
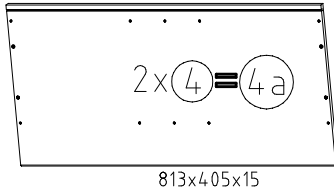
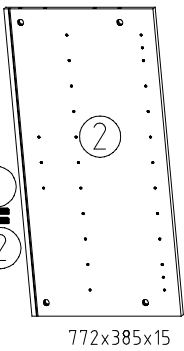
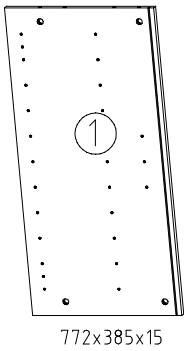
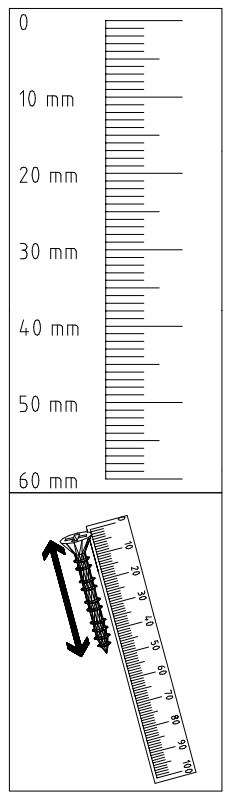
	<b>A</b>	12x
	<b>L7</b>	4x
	<b>D</b>	8x
	<b>C</b>	12x

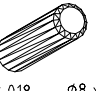
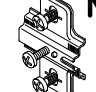
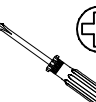

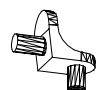

	<b>N27</b>	2x
	<b>M27</b>	2x
	<b>Z</b>	2x
	<b>SBV</b>	4x

	<b>Y20</b>	8x
	<b>G8</b>	8x
	<b>T3</b>	16x
	<b>G1</b>	4x

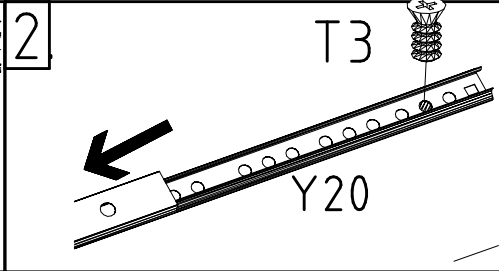
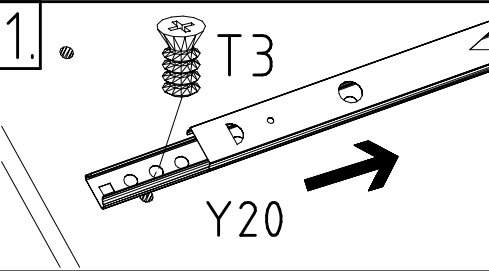
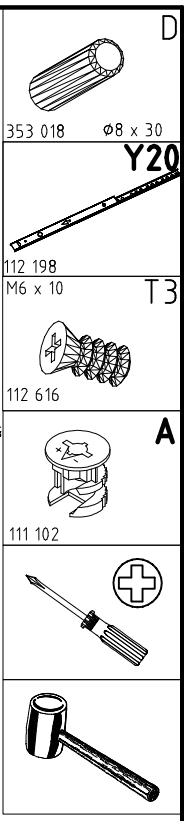
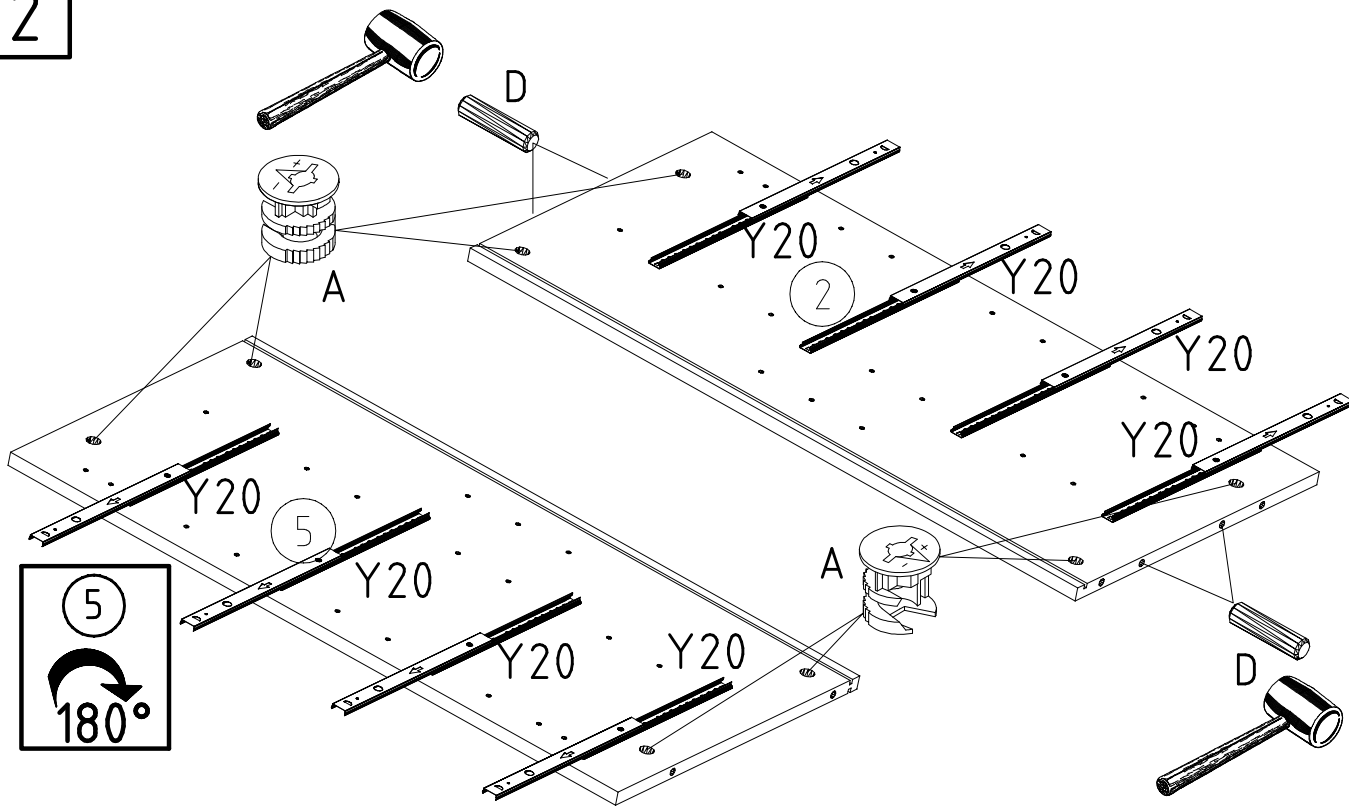


	<b>SG 25</b>	5x
	<b>SP23</b>	4x
	<b>SG 25</b>	3x
	<b>RG</b>	2x
	<b>SP23</b>	7x

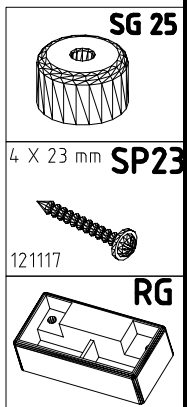
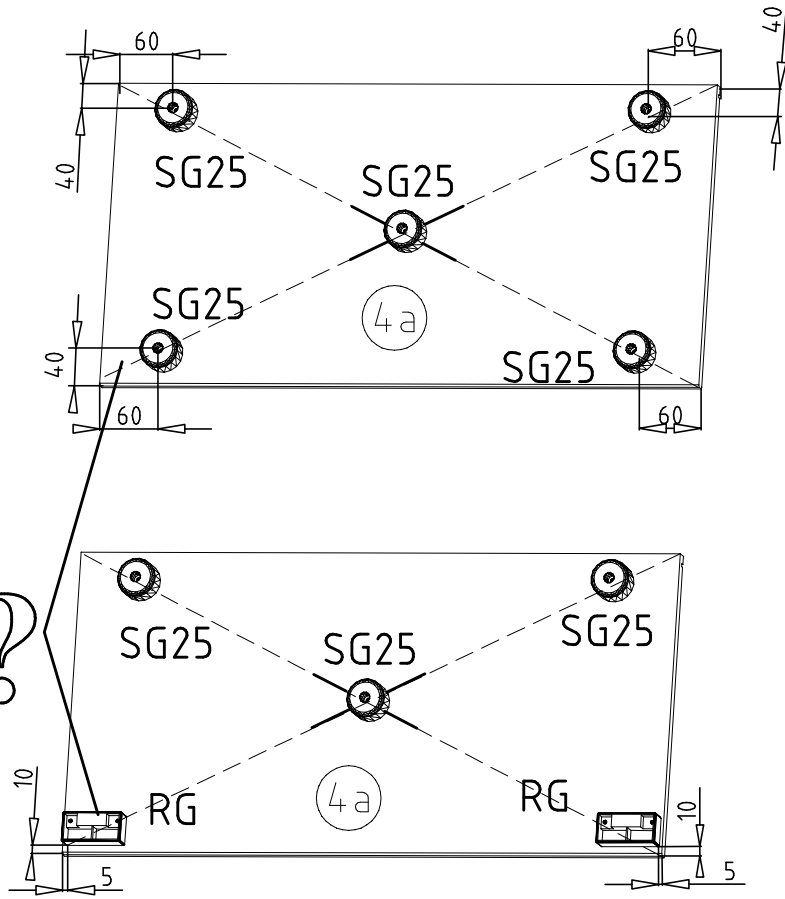
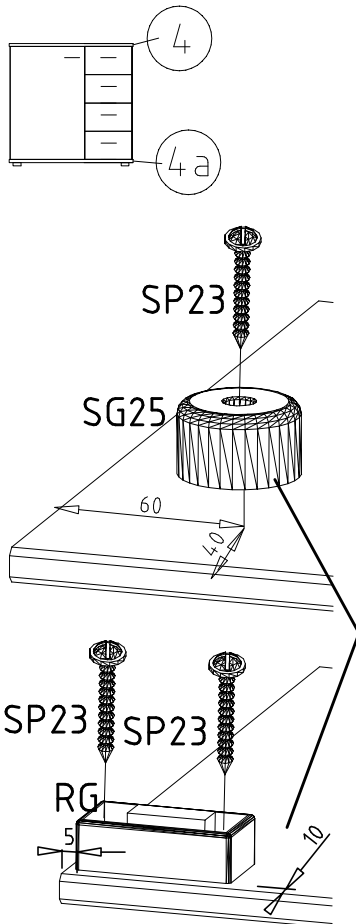


	<b>D</b>
	<b>M26</b>
	<b>+</b>
	<b>A</b>
	<b>L7</b>
	

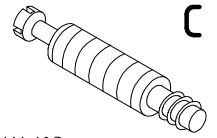
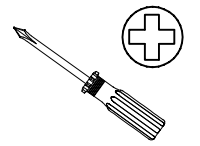
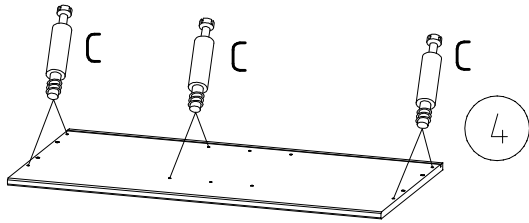
2



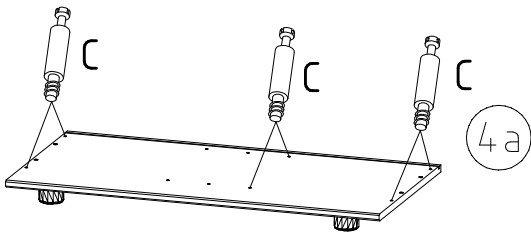
3



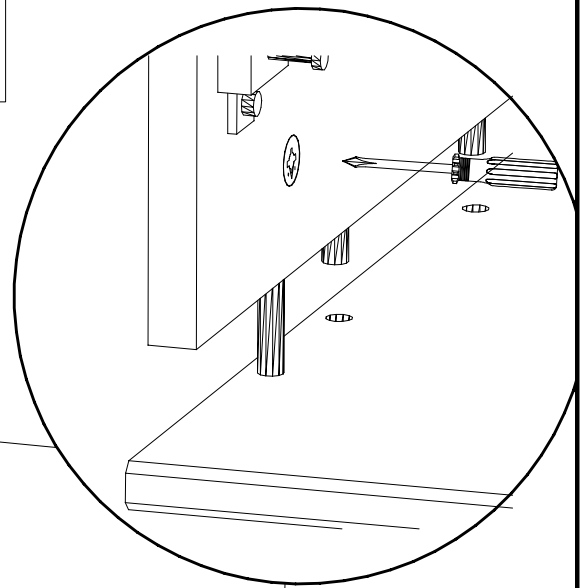
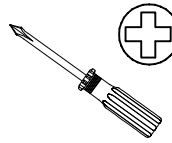
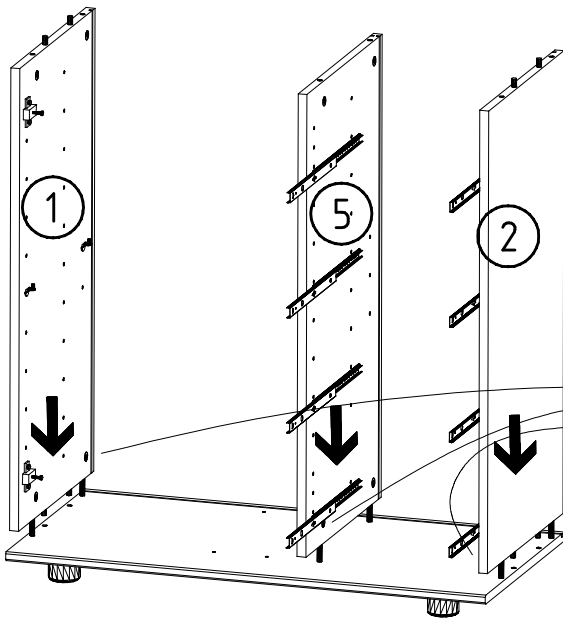
4



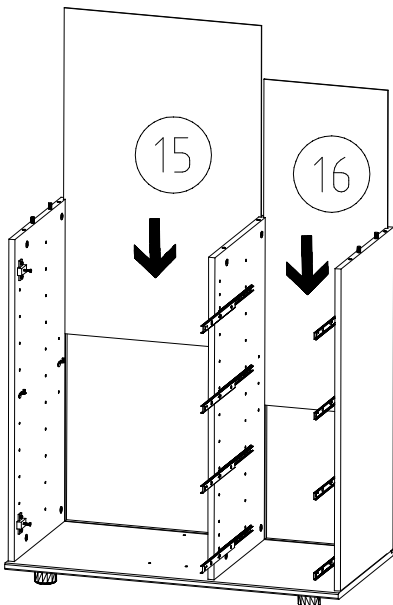
111 103



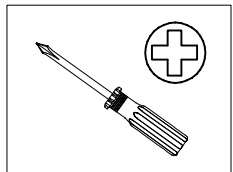
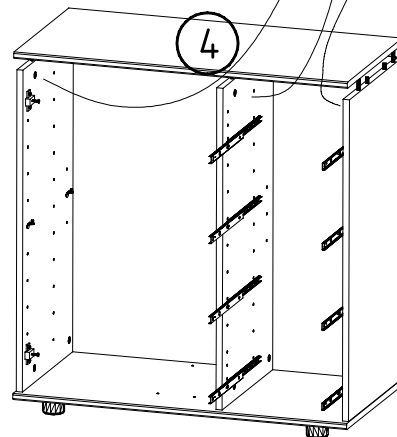
5



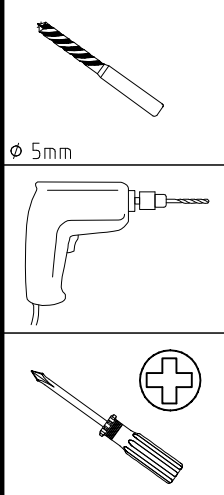
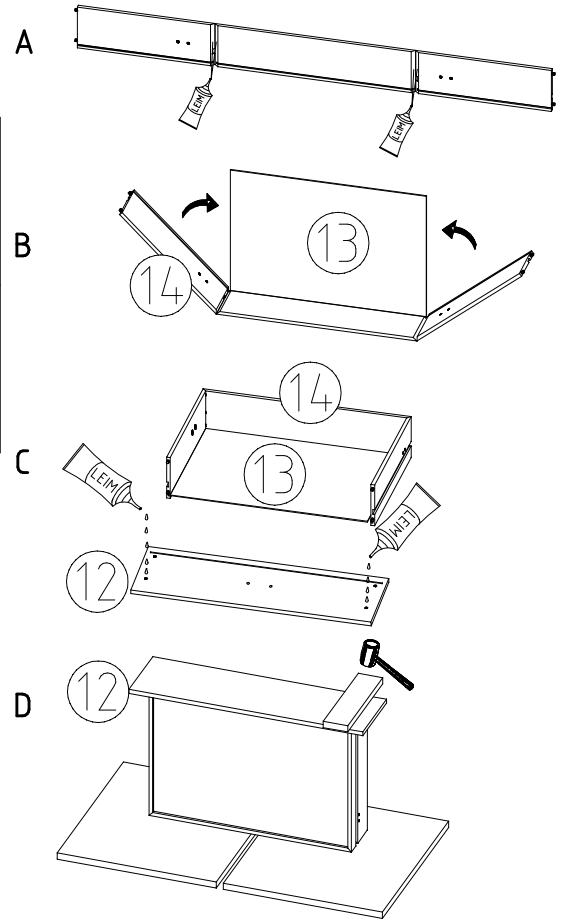
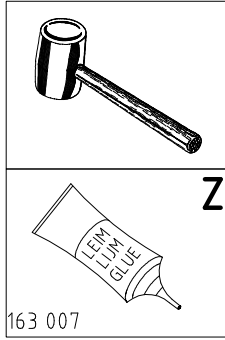
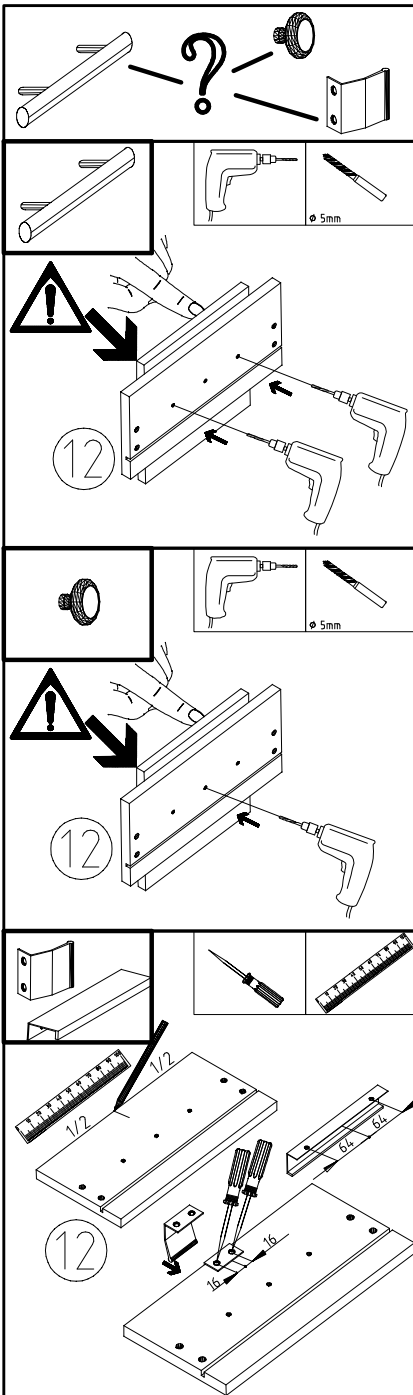
6



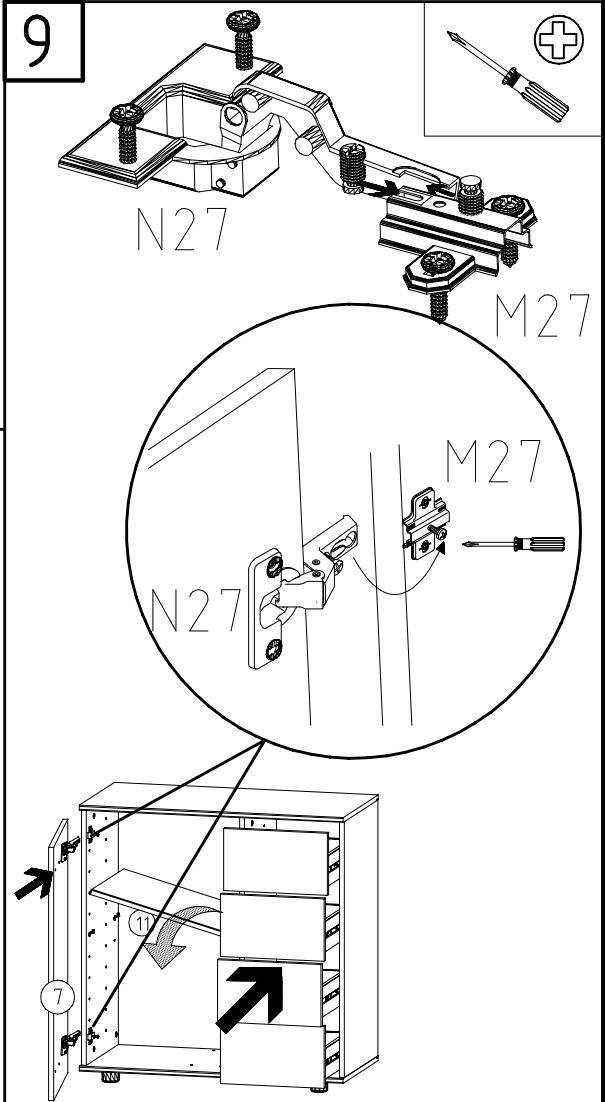
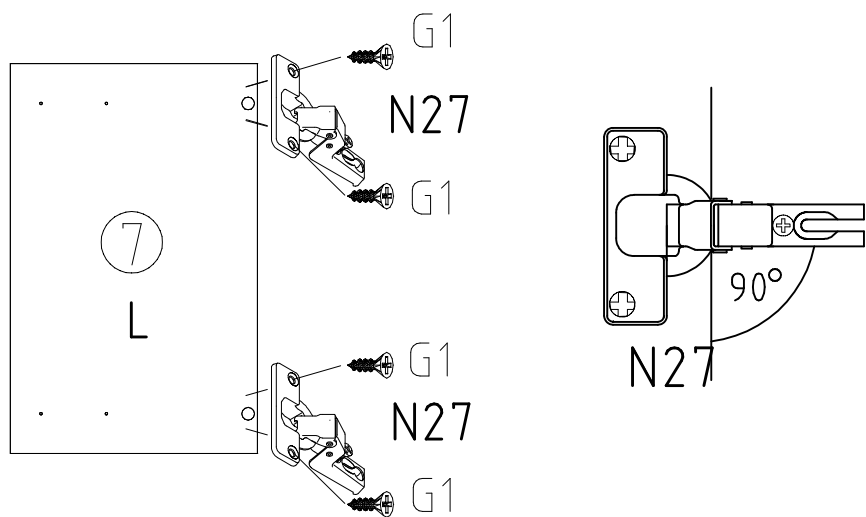
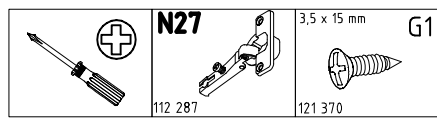
7



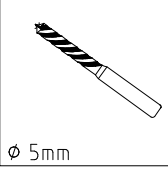
7



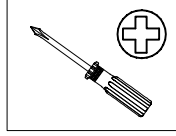
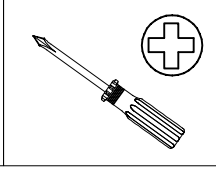
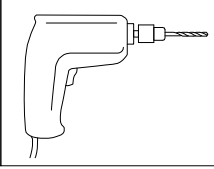
8



10



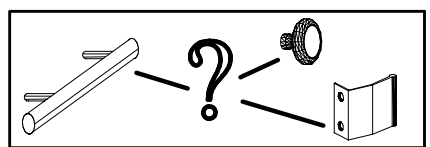
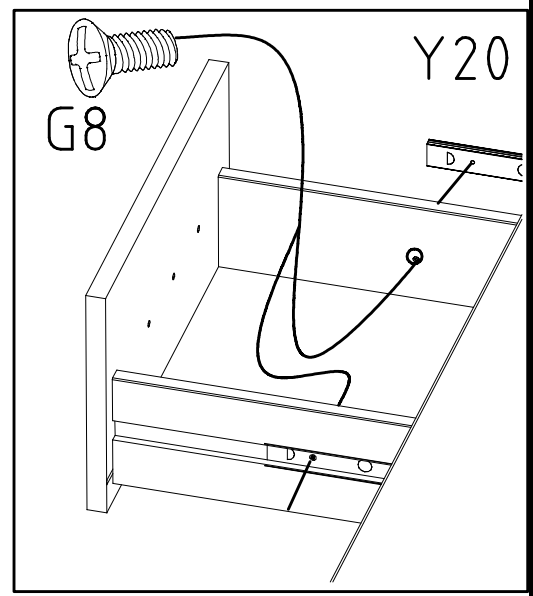
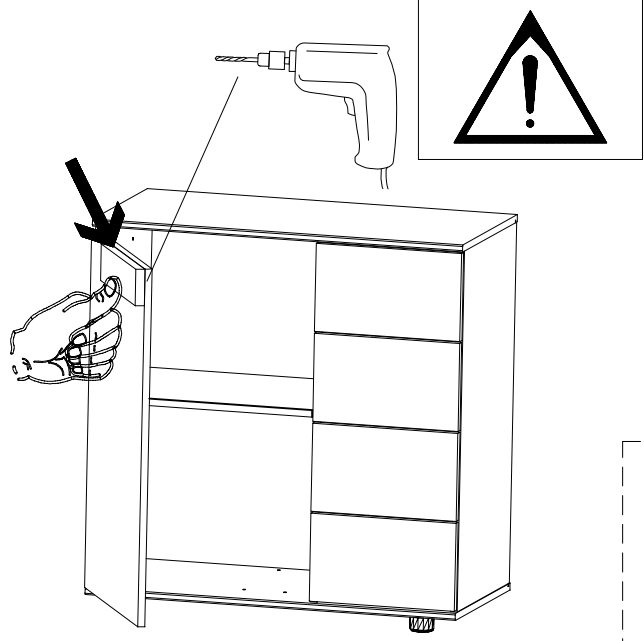
∅ 5mm



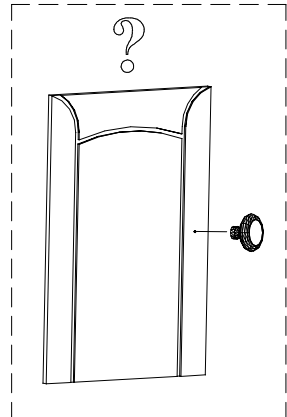
M4 x 9 mm

G8

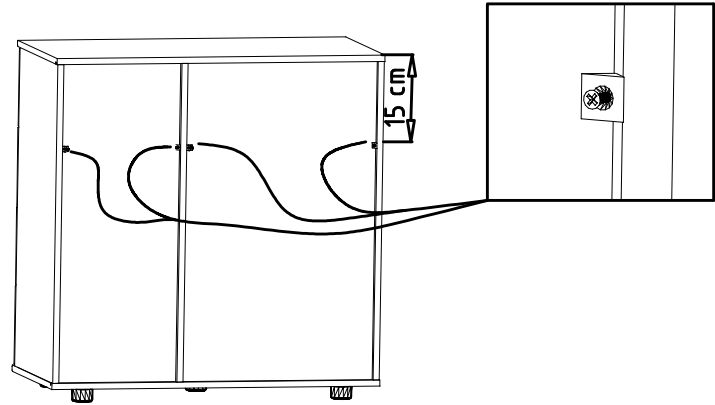
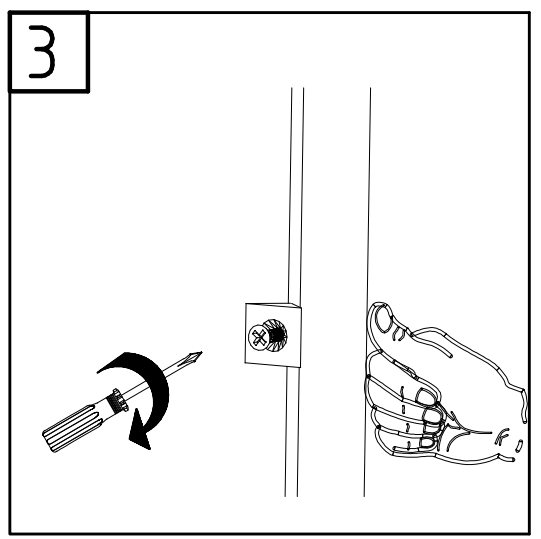
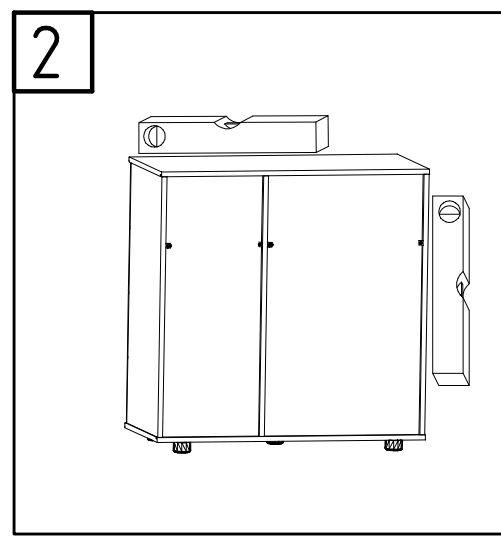
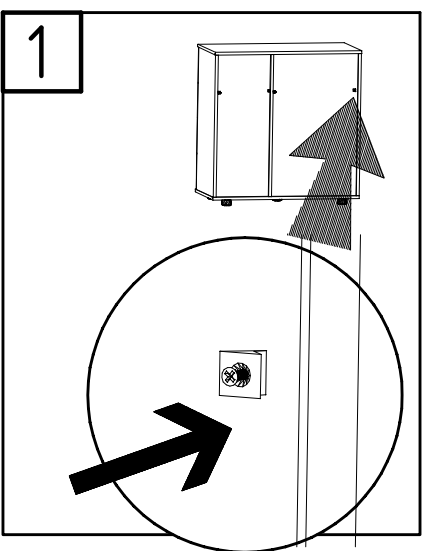
111 015



7

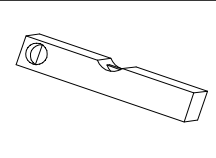
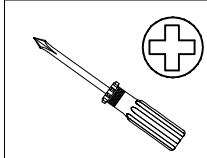
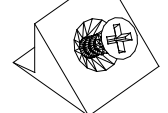


11



111040/2

SBV



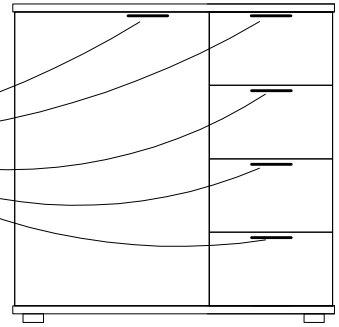
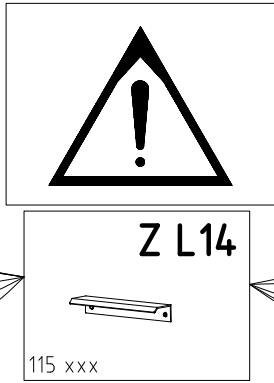
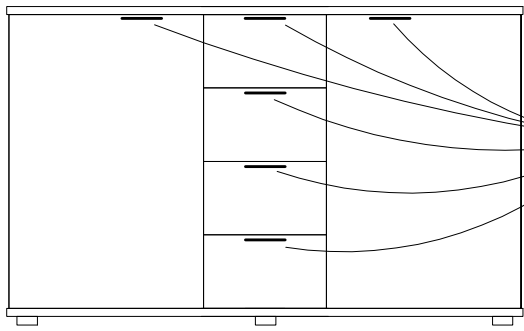
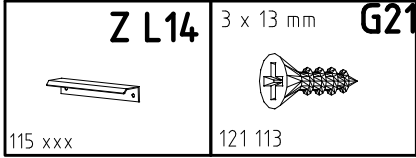
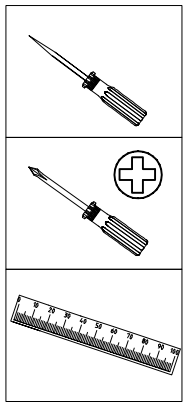
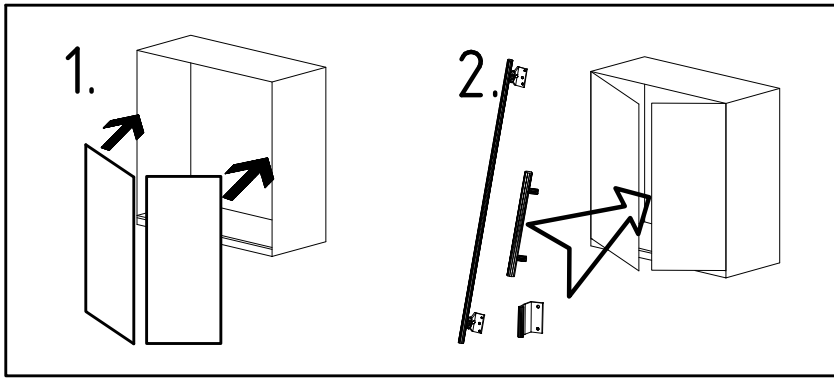
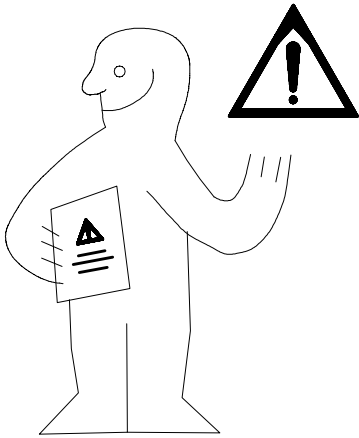
980110

11.03.14 / 01.07.14

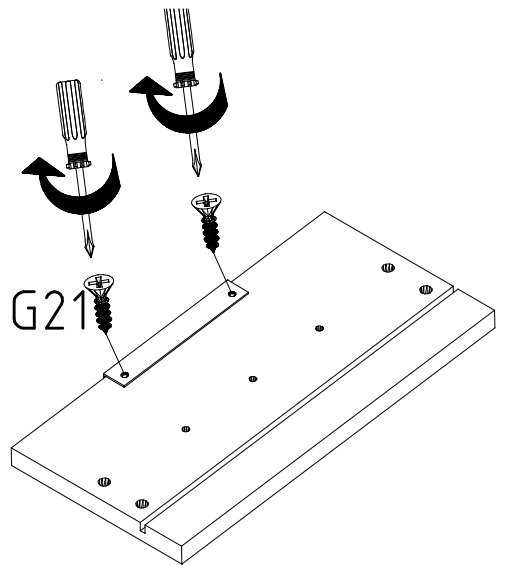
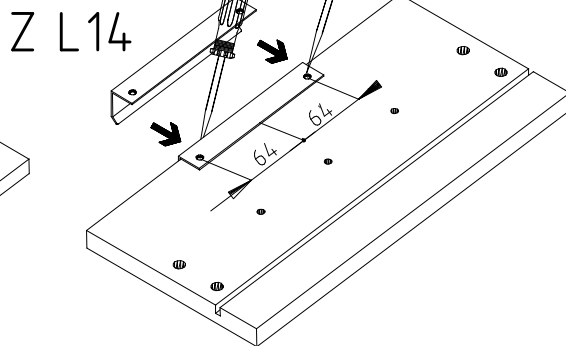
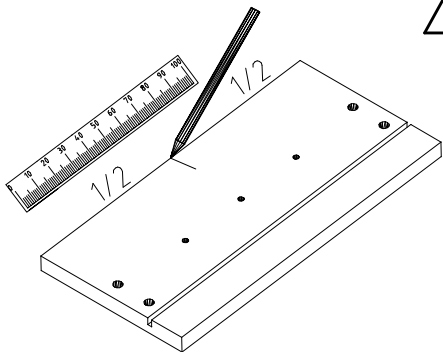
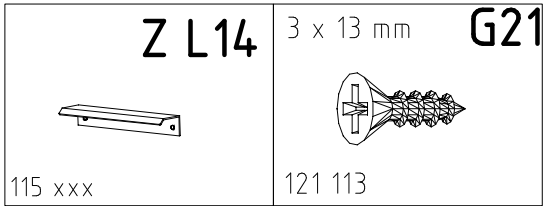
07 14

6/7

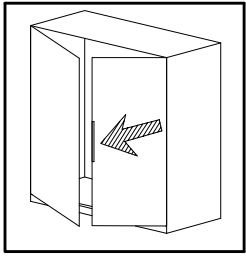
980296



1



2

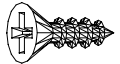


Z L14



115 xxx

3 x 13 mm G21



121 113

