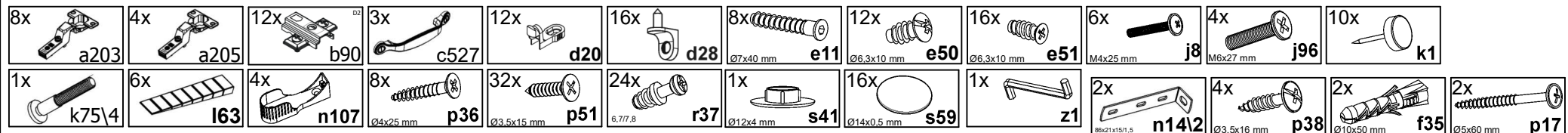
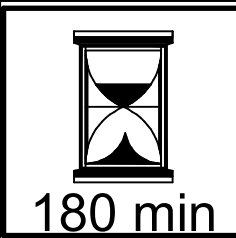
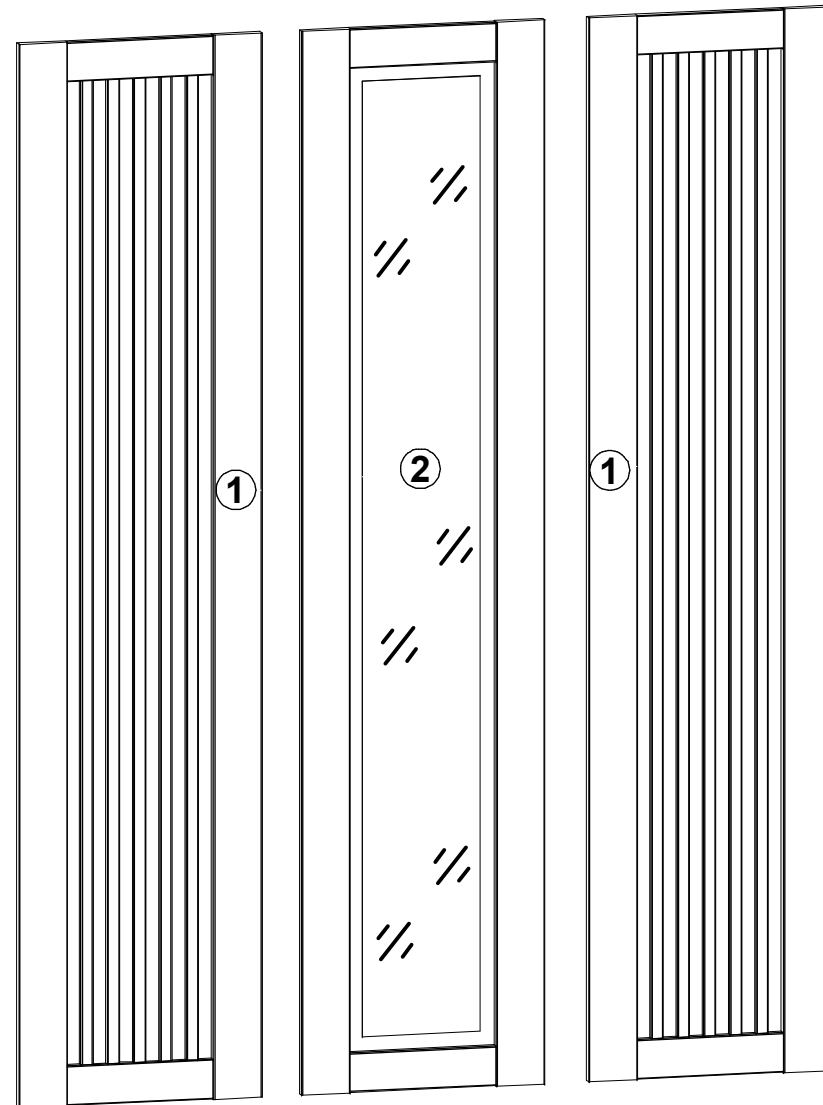
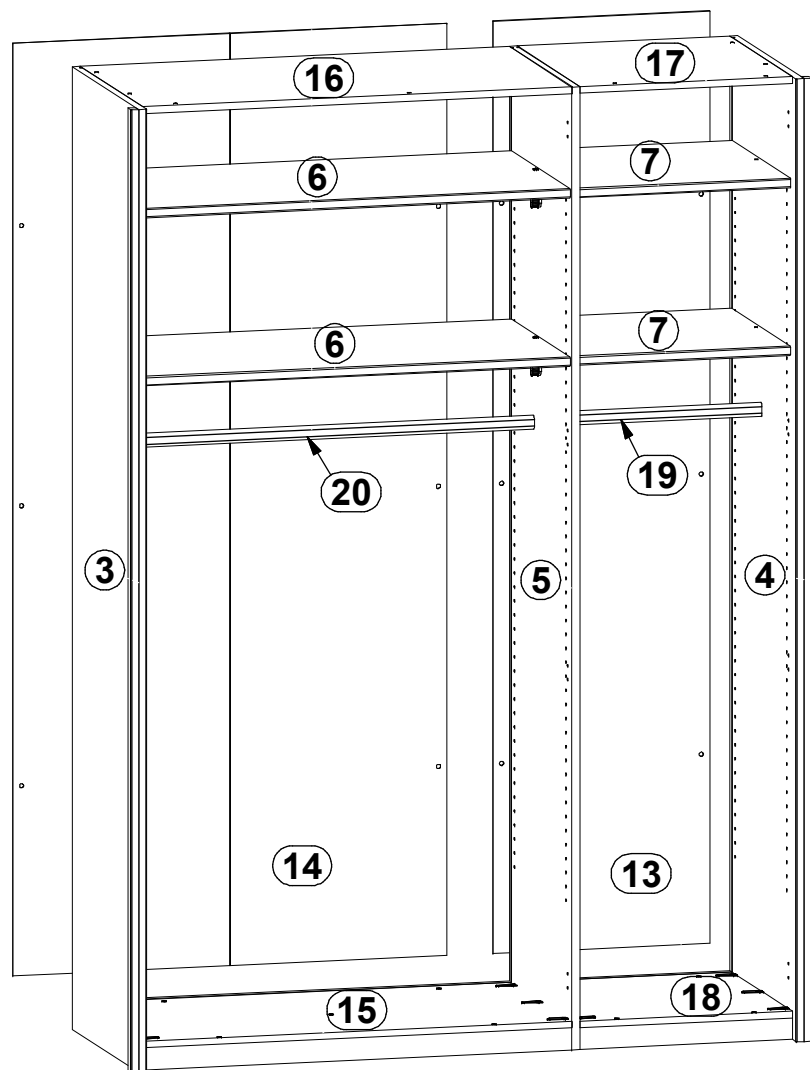
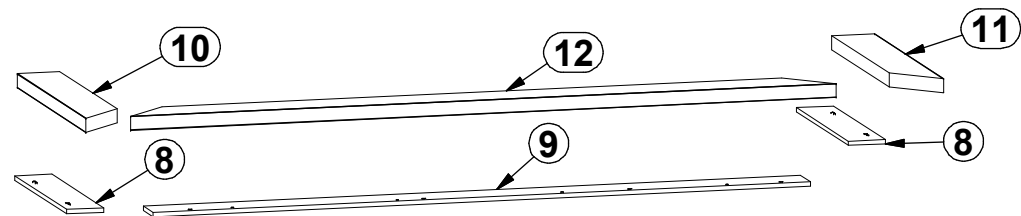
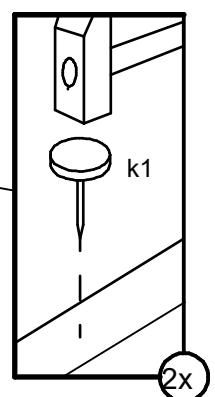
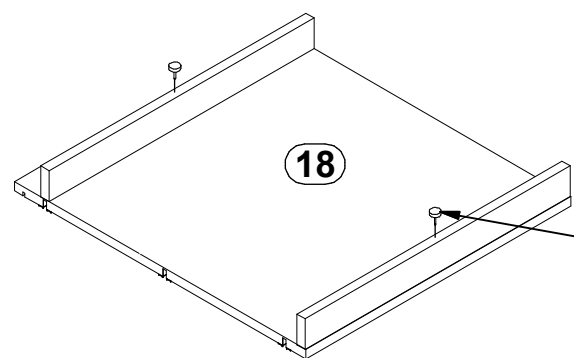
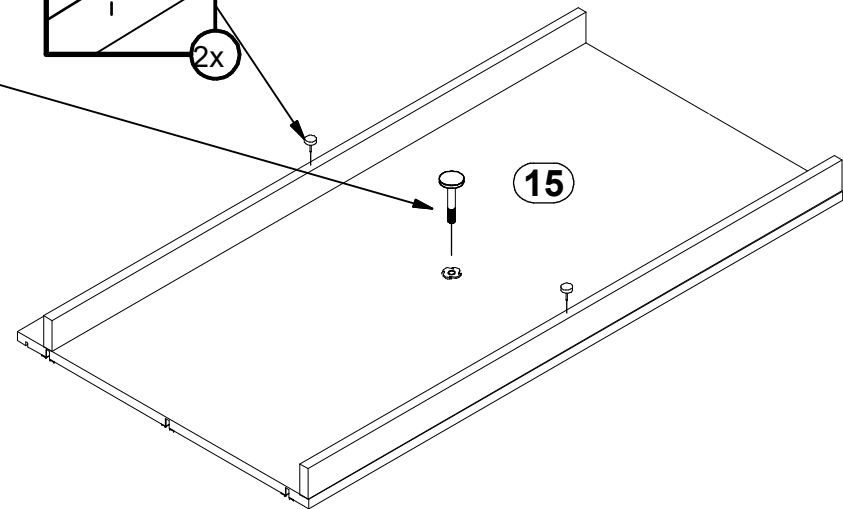
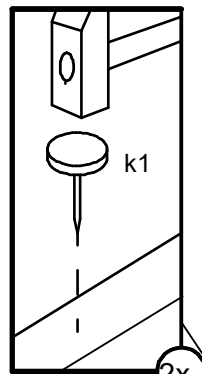
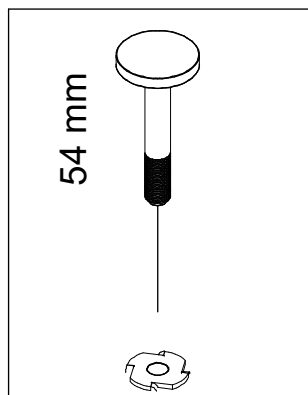


A	B	C1	C2	C3	D
1	L109-0001	2145	500	29	5/6
2	L109-0002	2145	500	29	4/6
3	L109-1001	2200	575	36	4/6
4	L109-1002	2200	575	36	4/6
5	L109-1003	2200	545	18	6/6
6	L109-3006	1000	510	22	2/6
7	L109-3013	496	510	22	1/6
8	L109-4003	450	86	10	6/6
9	L109-4008	1530	86	10	6/6
10	L109-5001	599	100	32	6/6
11	L109-5002	599	100	32	6/6
12	L109-5025	1642	100	32	6/6
13	L109-9004	2130	505	2,5	3/6
14	L109-9301	2130	1011	2,5	3/6
15	L109-Z001	1000	545	66	1/6
16	L109-Z003	1000	545	16	2/6
17	L109-Z012_3014	496	545	16	2/6
18	L109-Z013_3015_4007	496	545	66	1/6
19	dr-482x30	482	30	15	2/6
20	dr-987	987	30	15	2/6

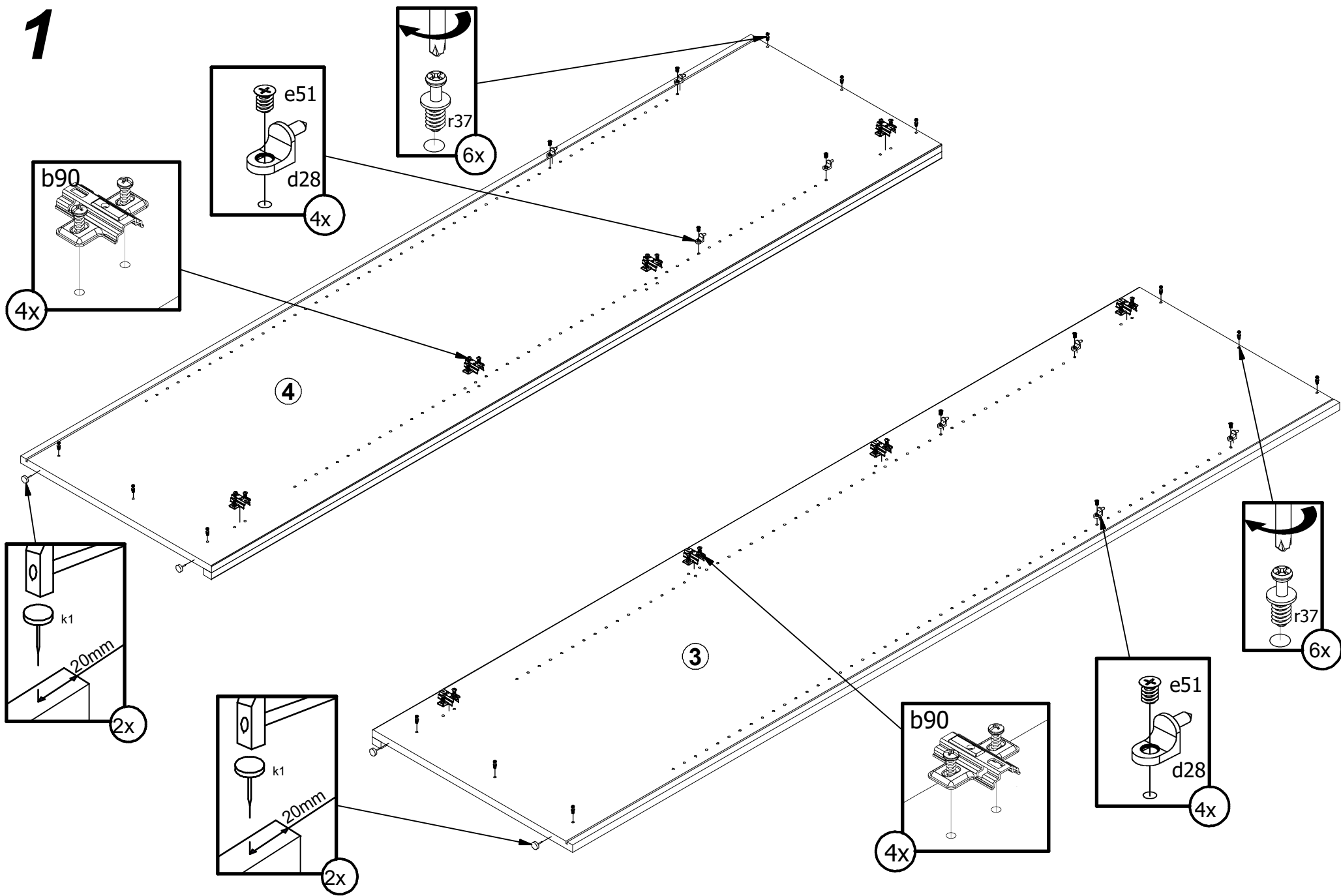




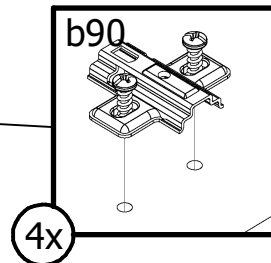
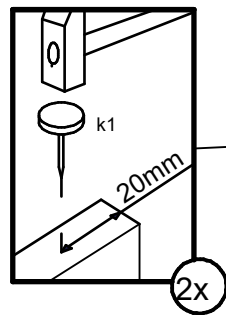
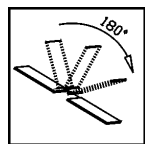
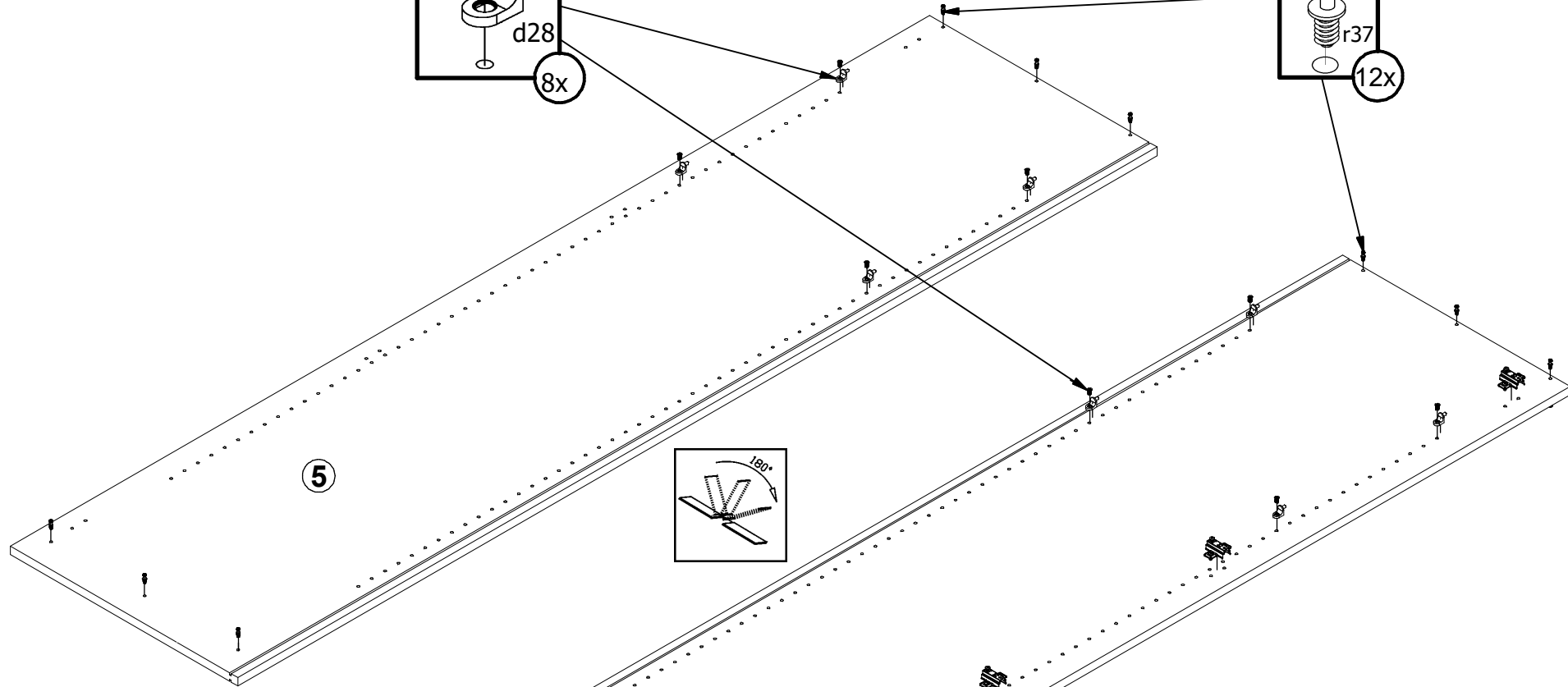
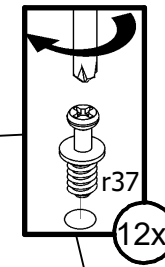
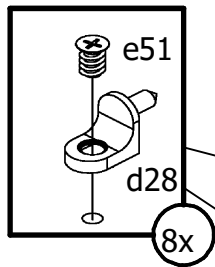
1



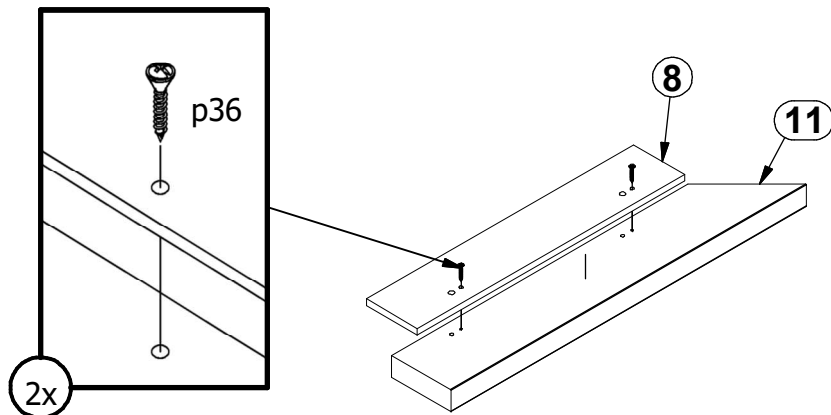
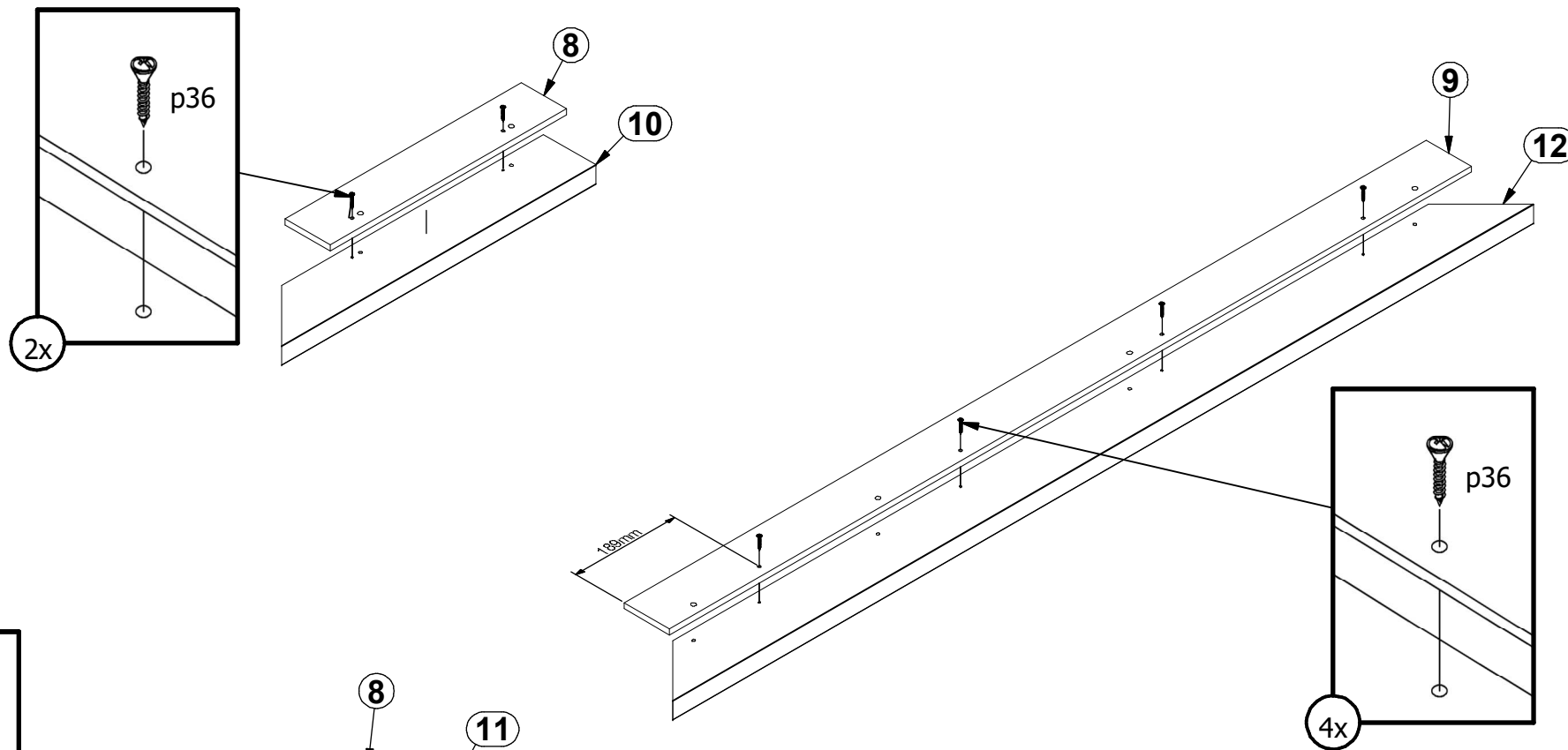
1



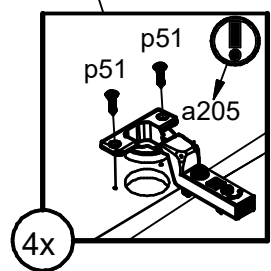
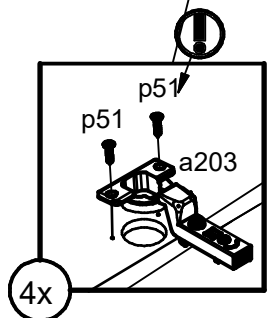
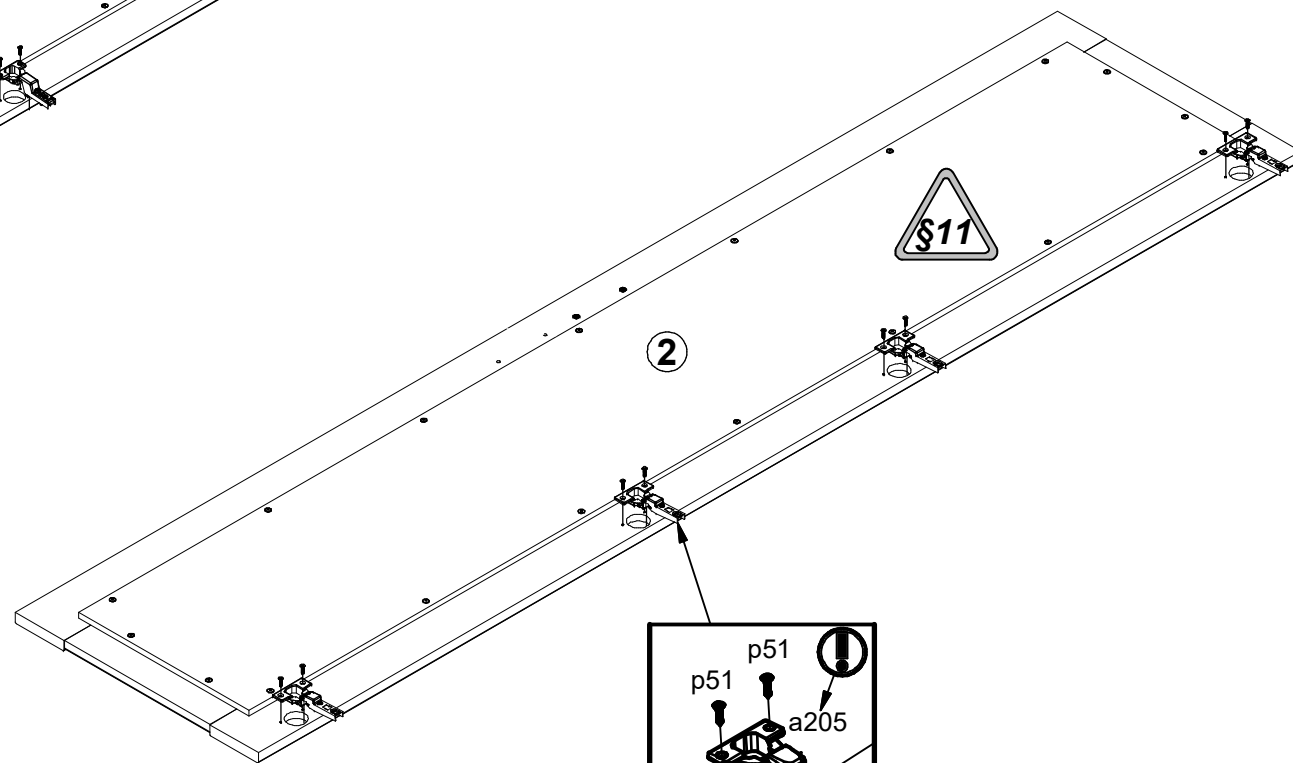
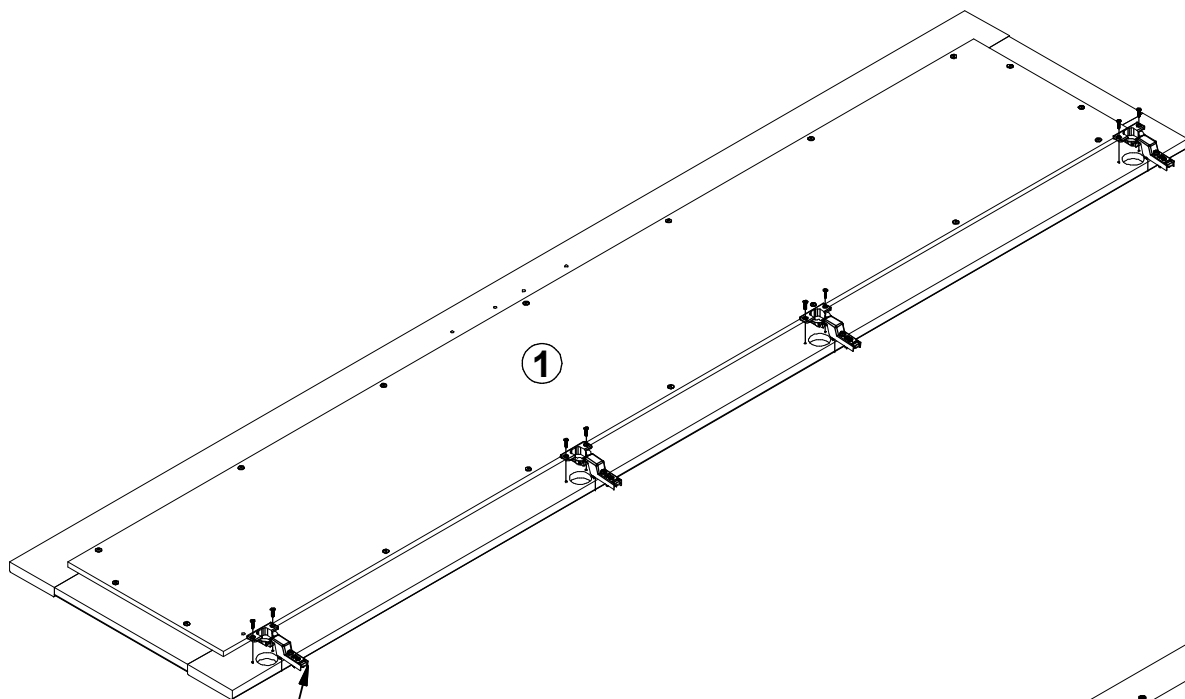
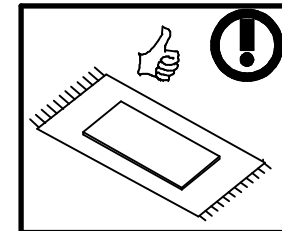
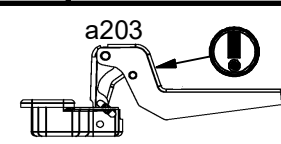
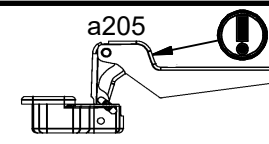
1



1 

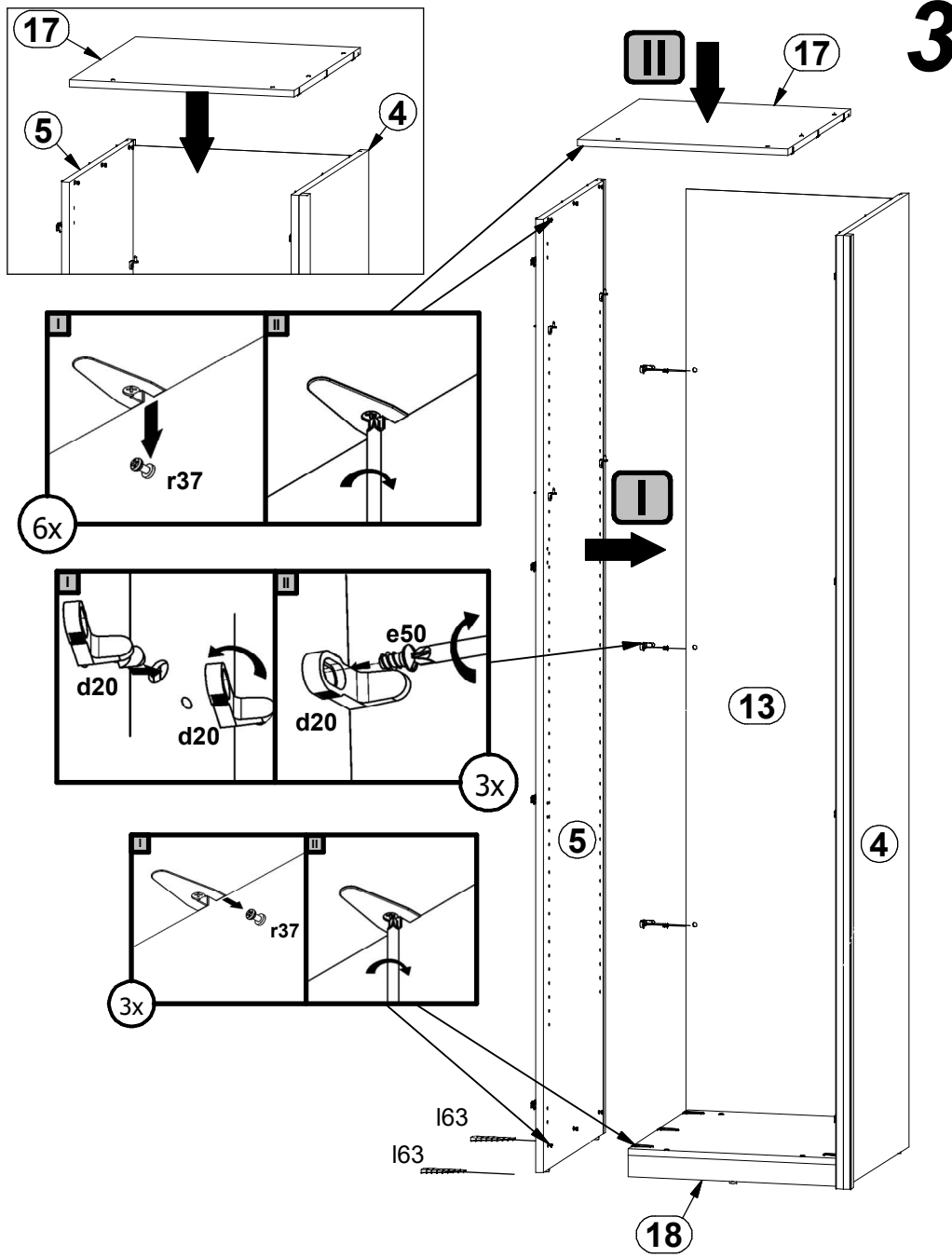
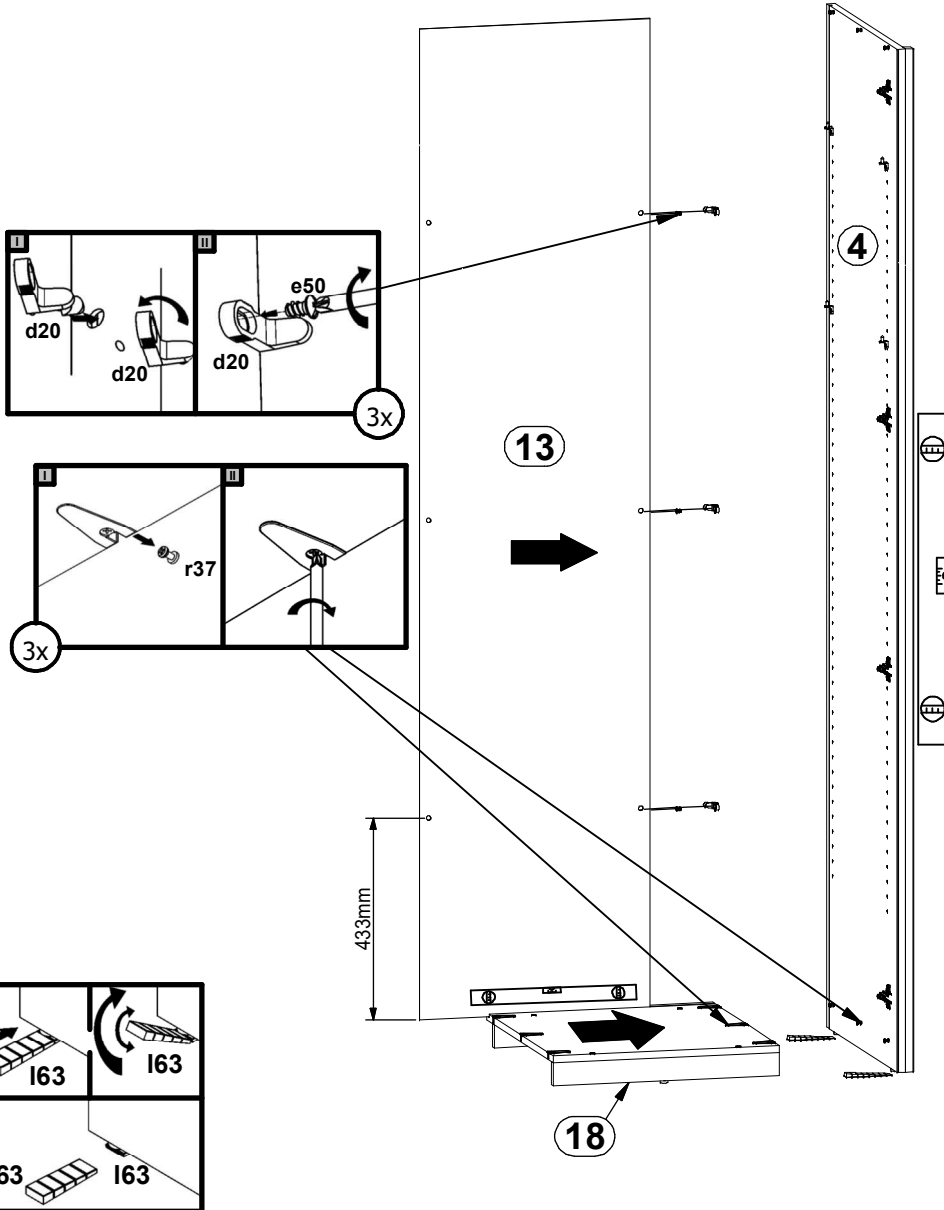


2x



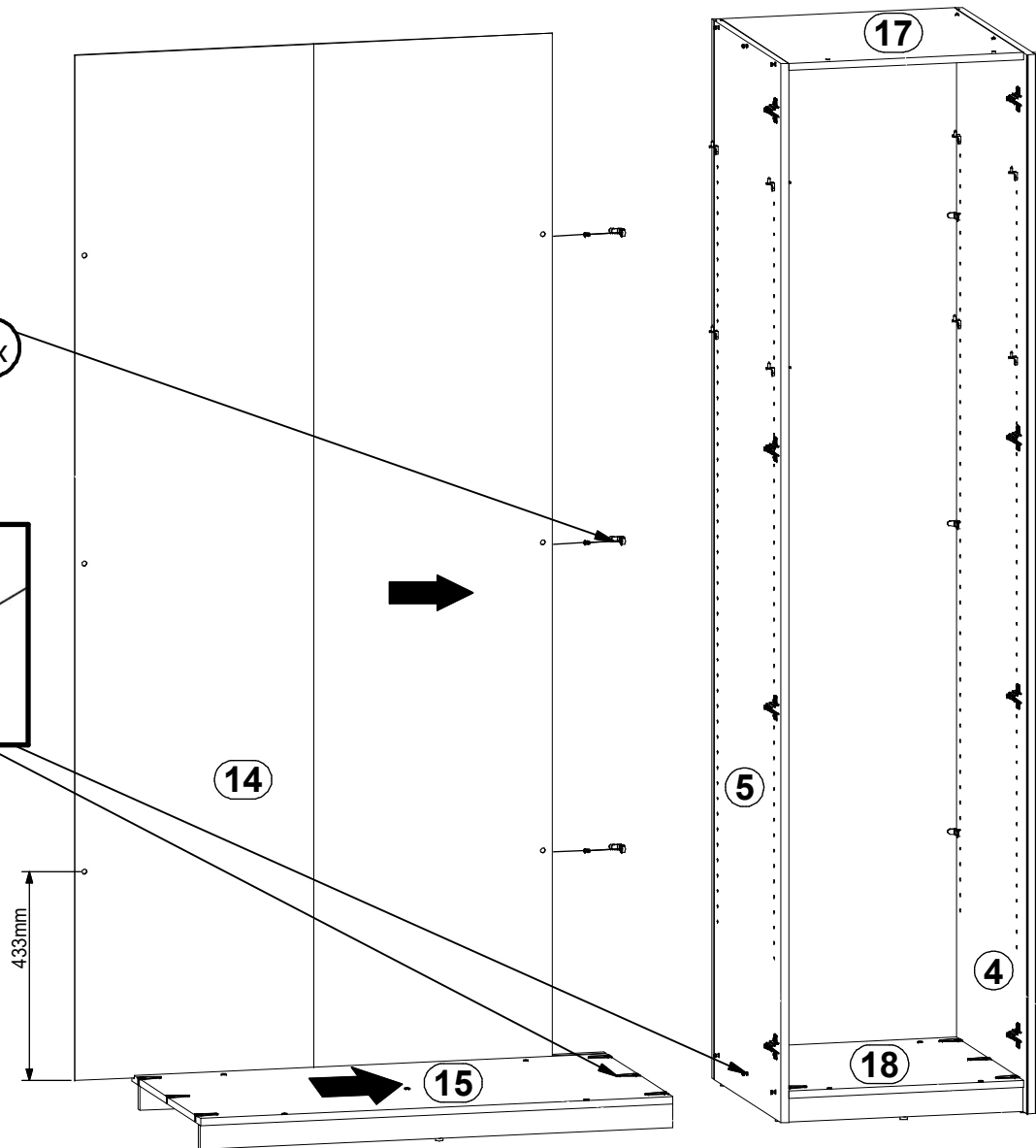
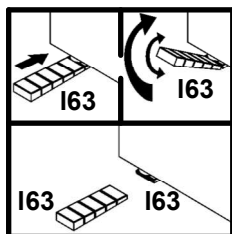
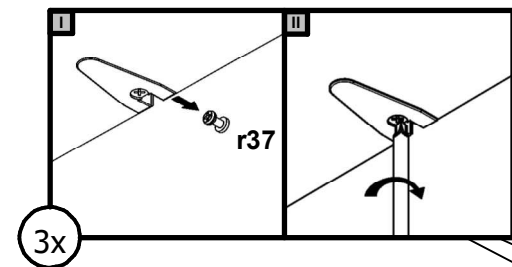
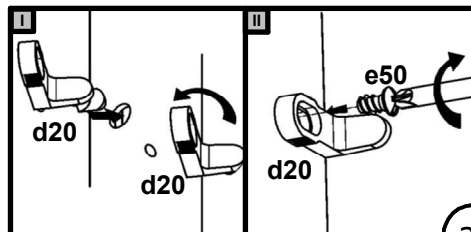


2 

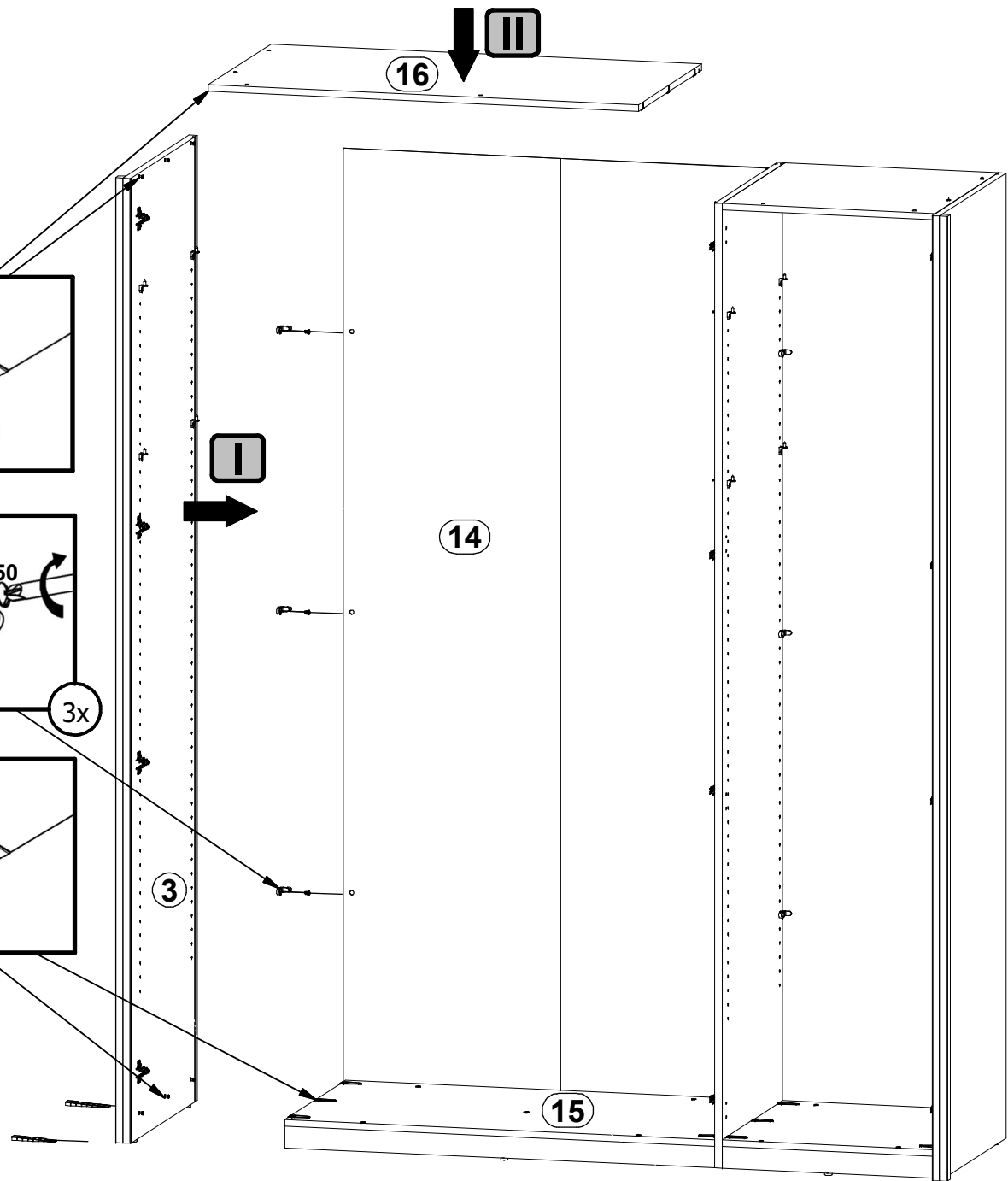
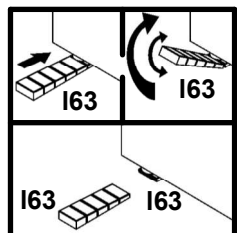
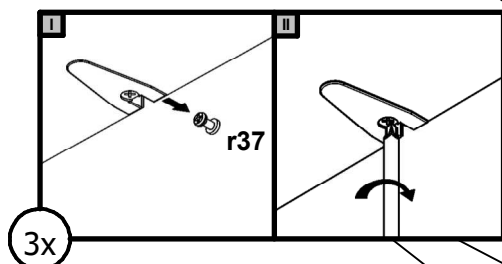
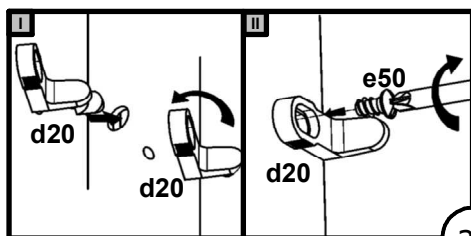
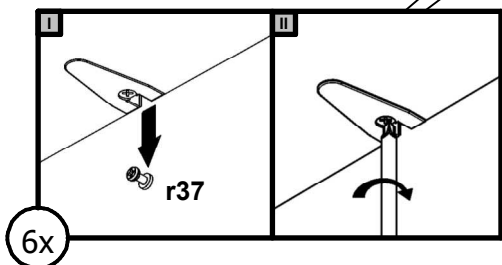
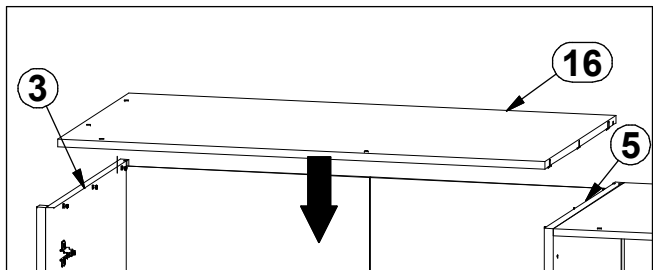


3

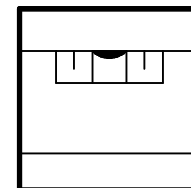
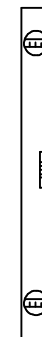
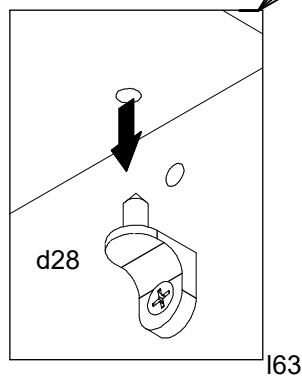
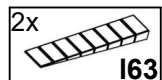
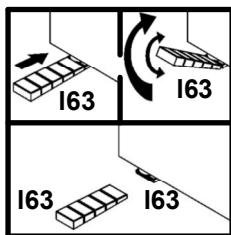
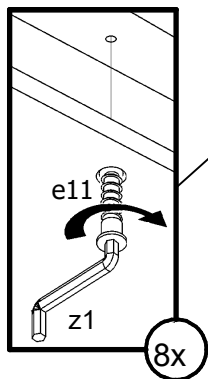
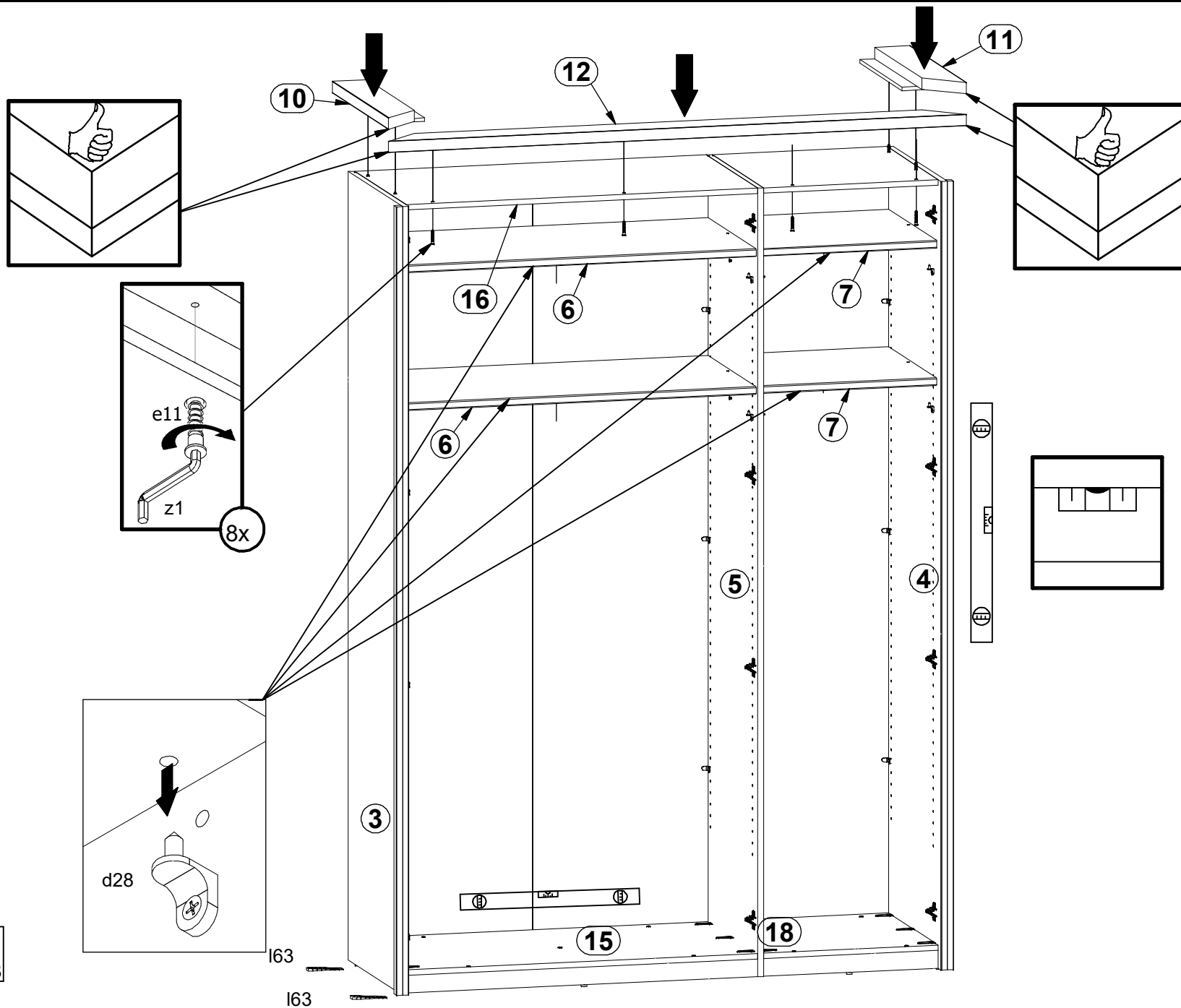
4



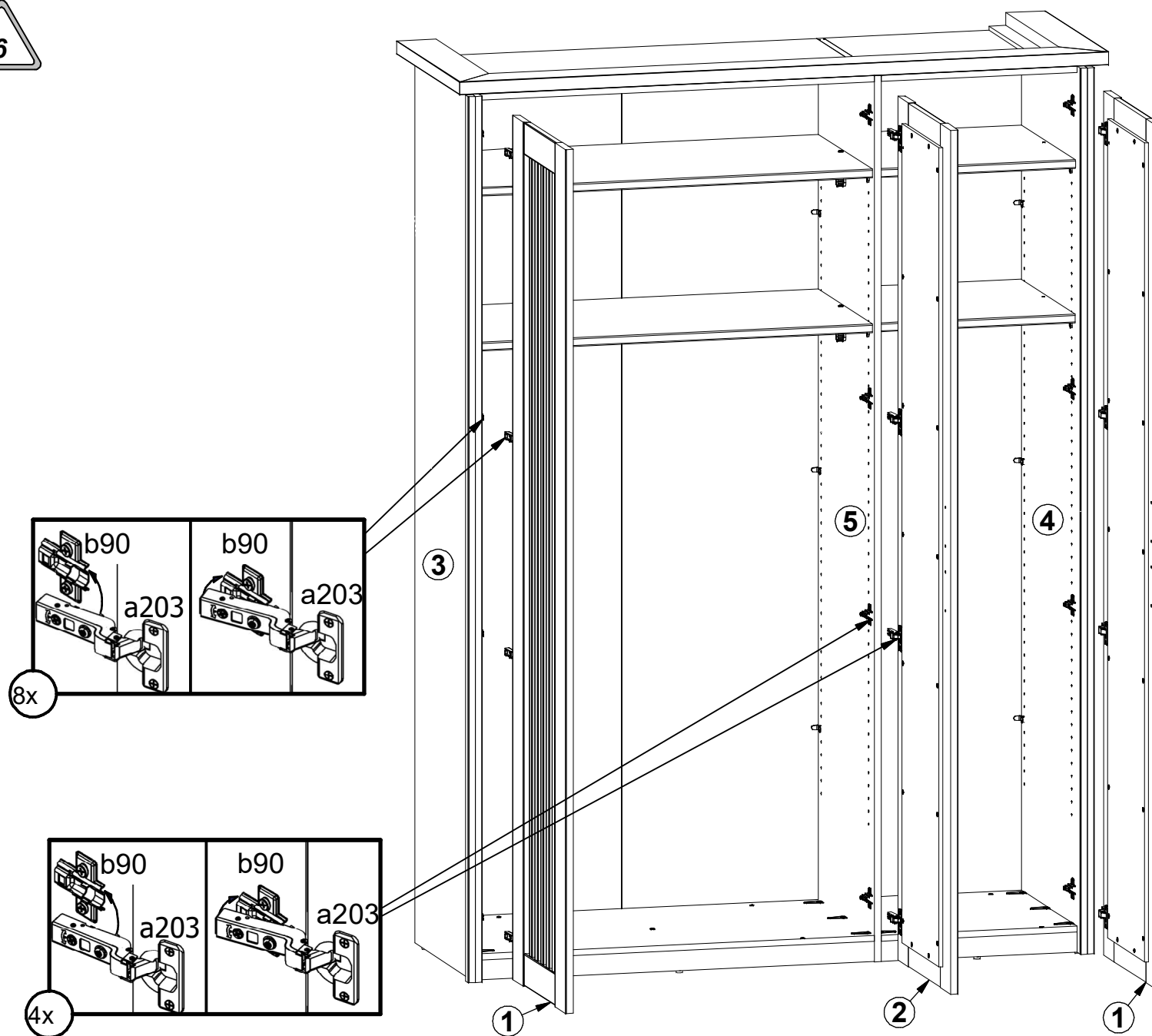
5

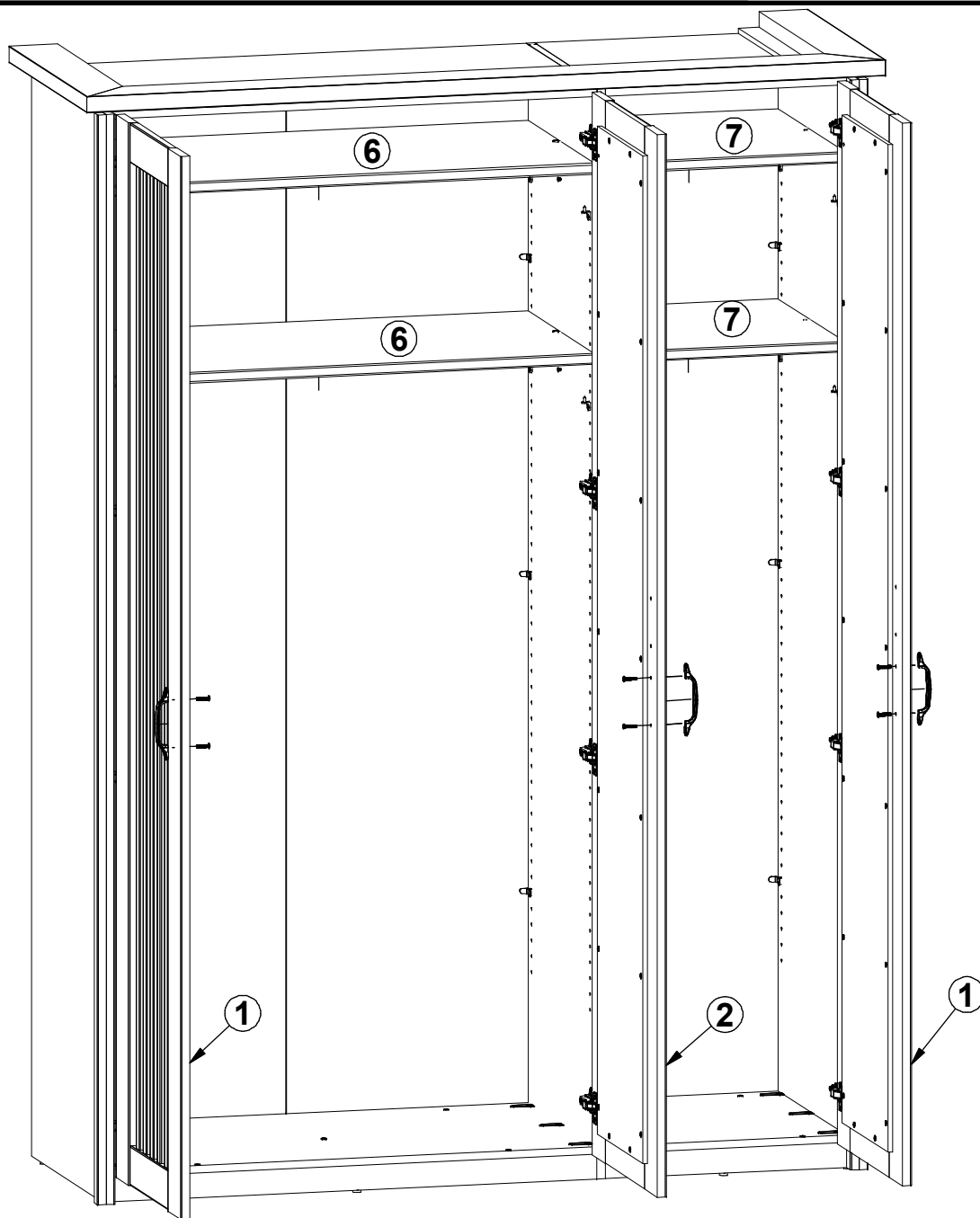


6

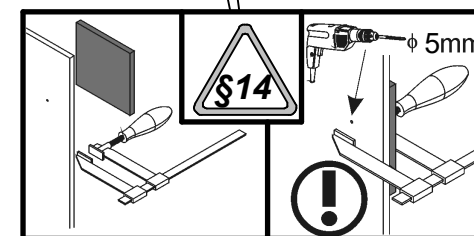
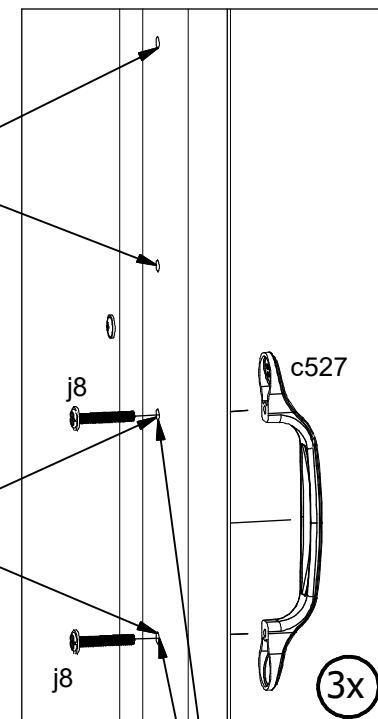


7

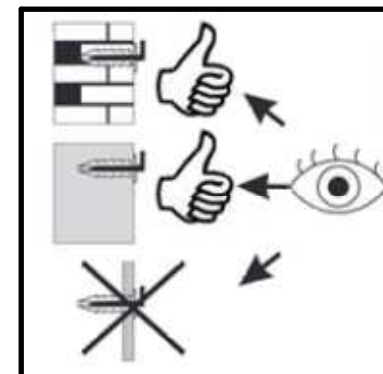
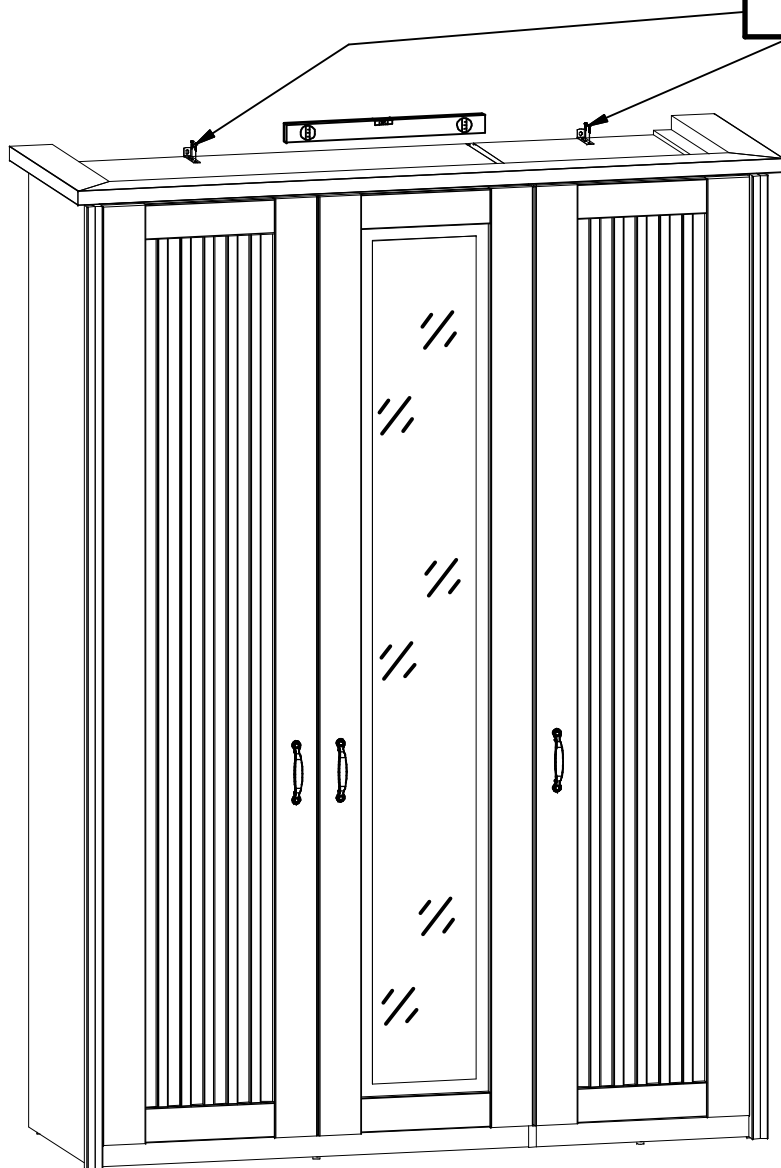
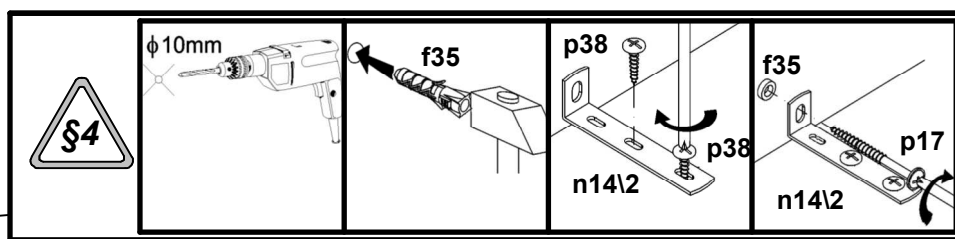
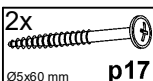
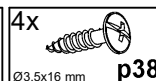
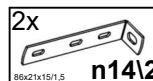


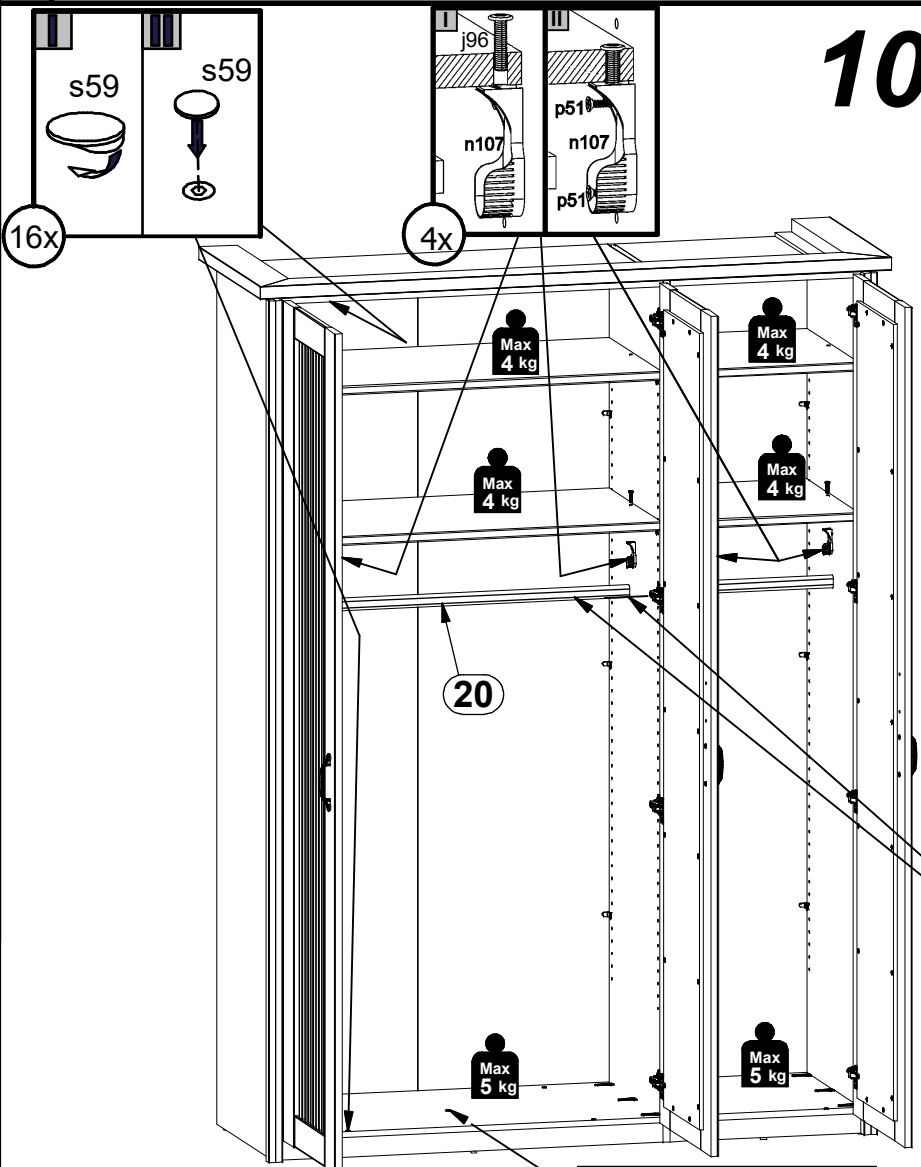


§6 8



9





10

