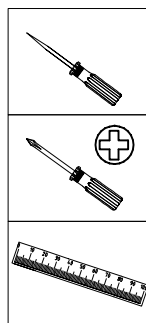
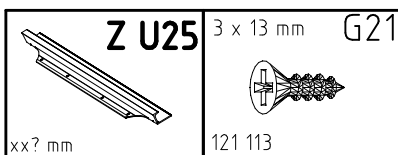
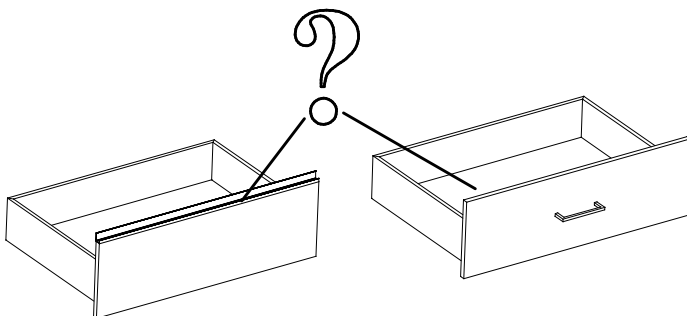
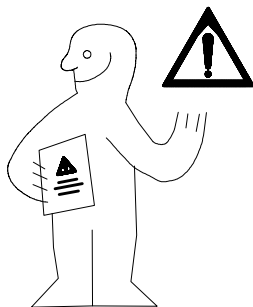
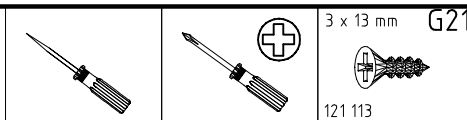
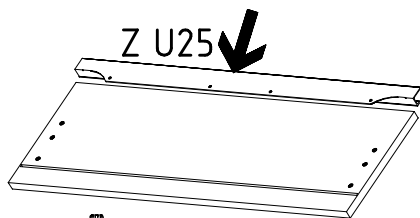


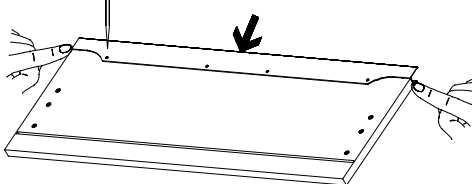
980309



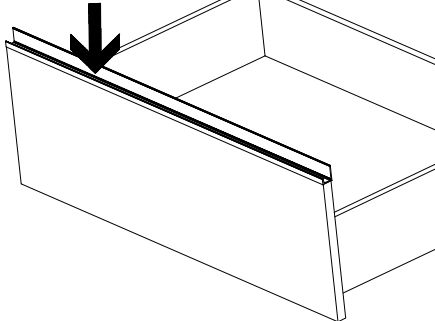
1



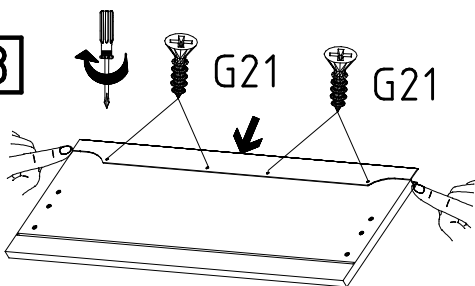
2



Z U25



3



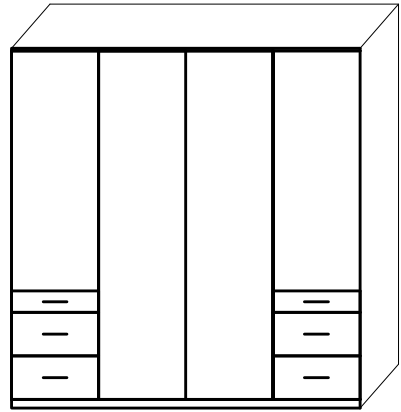
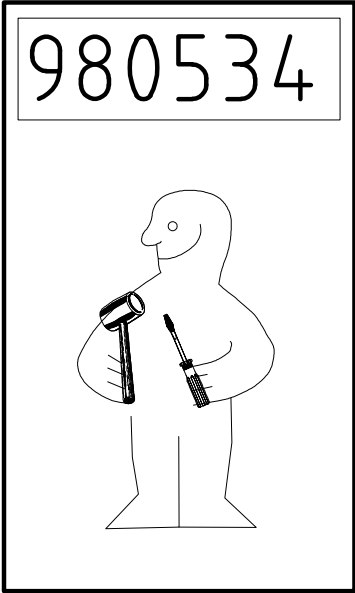
980309

02.05.17 / -

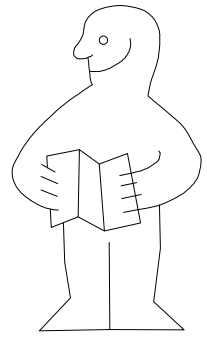
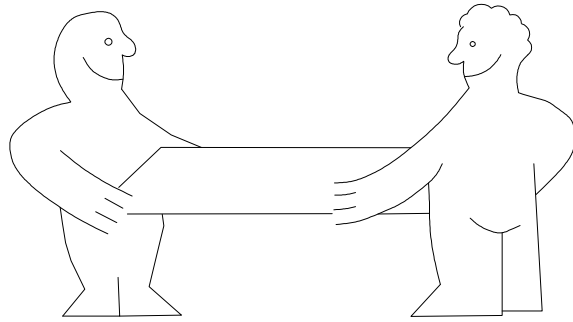
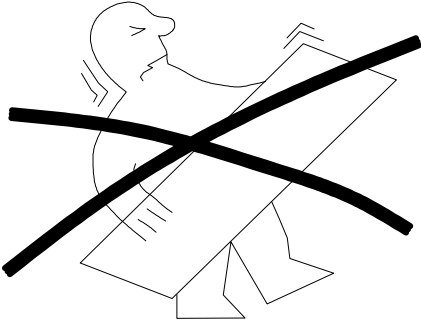
05 17

1/1

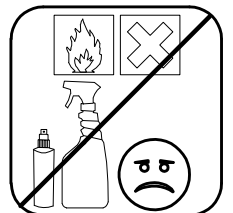
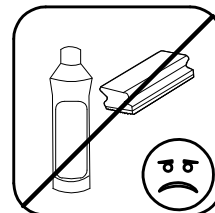
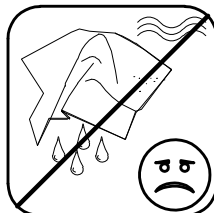
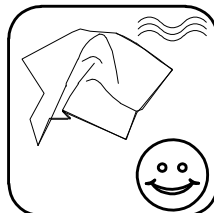
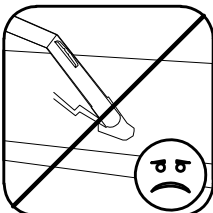
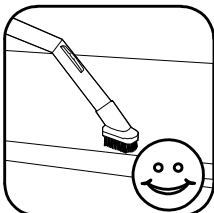
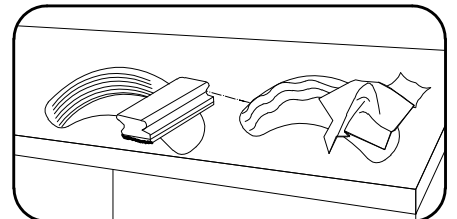
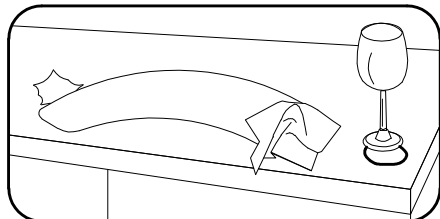
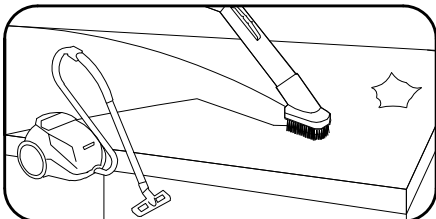
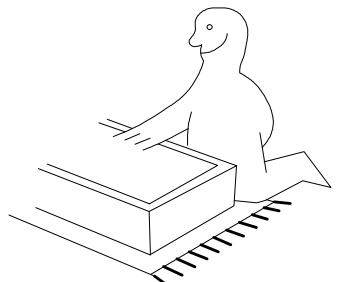
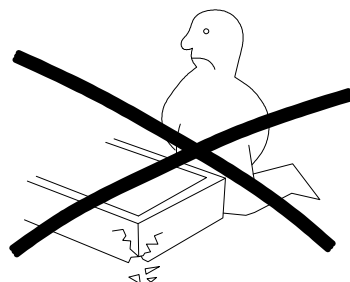
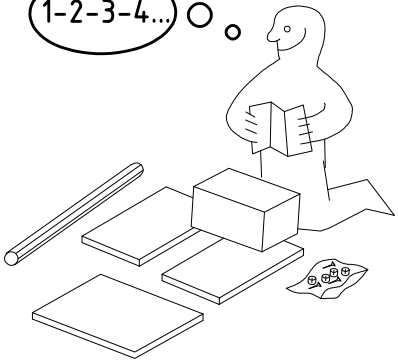
980534



HSP 200 ASK



1-2-3-4... ○

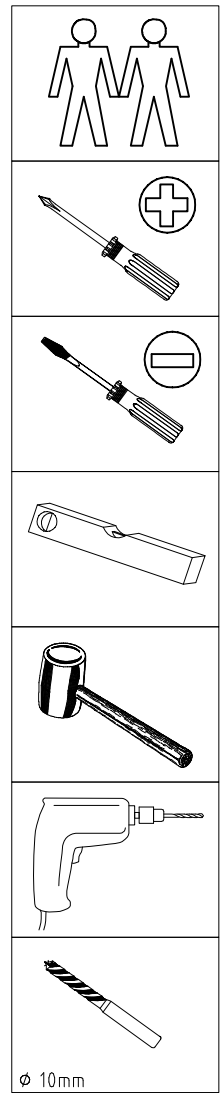
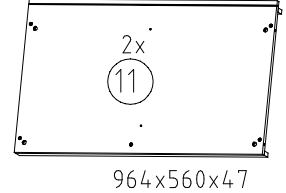
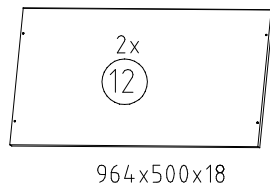
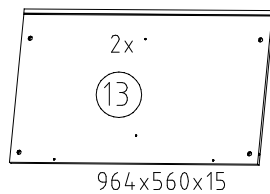
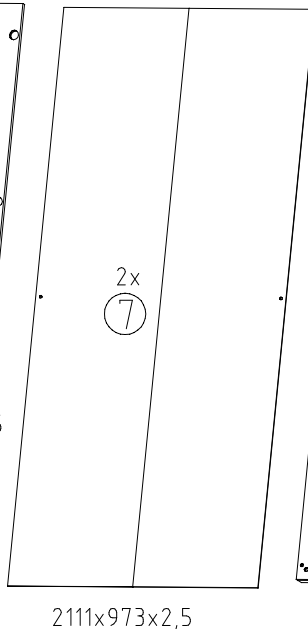
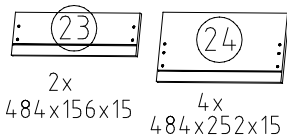
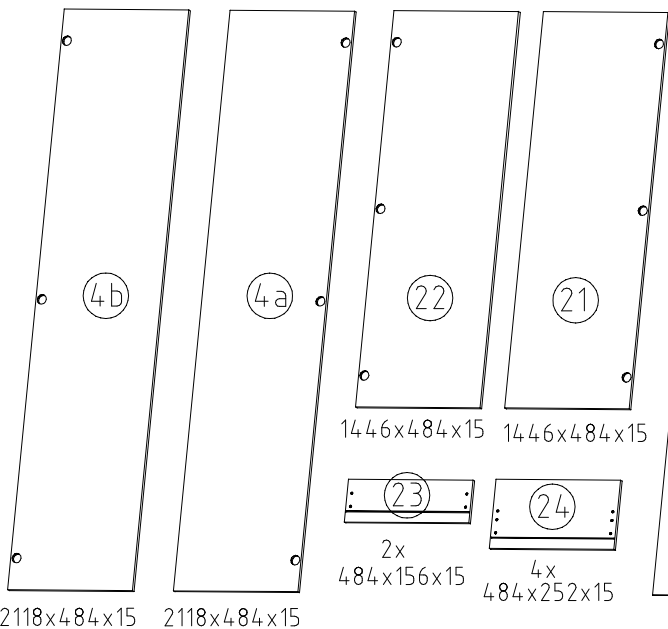
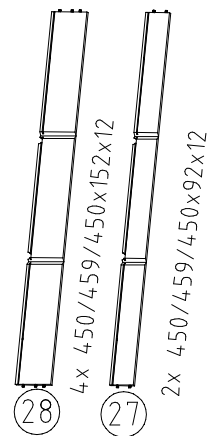
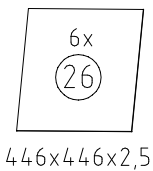
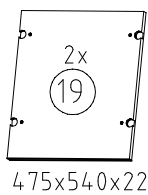
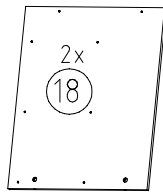
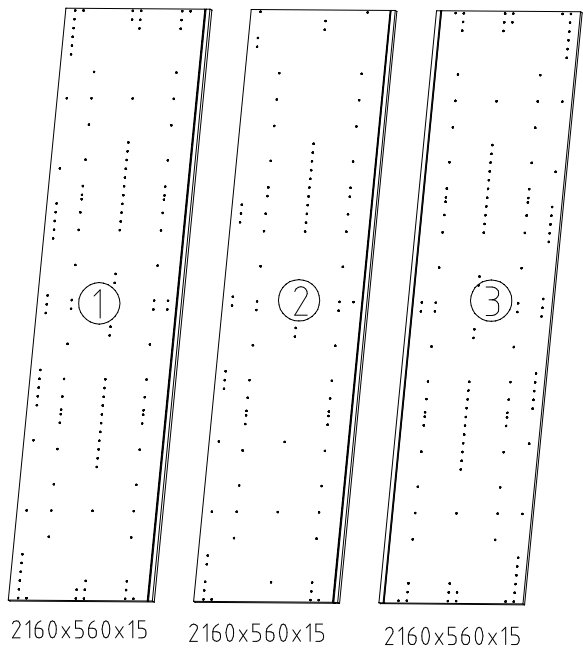
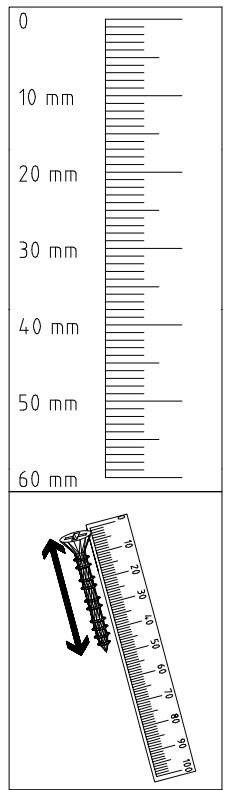


| | | |
|-----------------|-----------|-----|
| 111 102 | A | 4x |
| 111 xxx | A1 | 16x |
| 111 103 | C | 12x |
| 3,5 x 15 mm | F3 | 4x |
| 121 370 | G1 | 28x |
| 163 007 | Z | 4x |

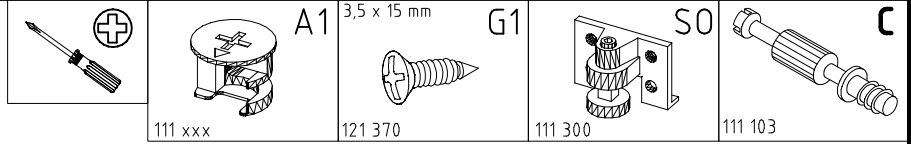
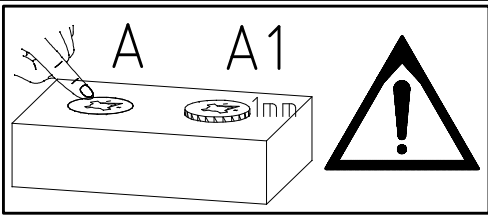
| | | |
|--------------------------|------------|-----|
| 112 291 | M1 | 12x |
| 112 289 | N1 | 12x |
| 111 300 | S0 | 10x |
| 111 xxx ∅12 | V12 | 10x |
| 112 220/1 M6 x 10 | Q45 | 6x |
| 112 616 | T3 | 24x |

| | | |
|-------------|-------------|-----|
| 117 002 | K2 | 4x |
| 112 400 | SBV | 16x |
| 100cm | K10 | 2x |
| 111 229 | F | 8x |
| 111 252 | VB23 | 8x |

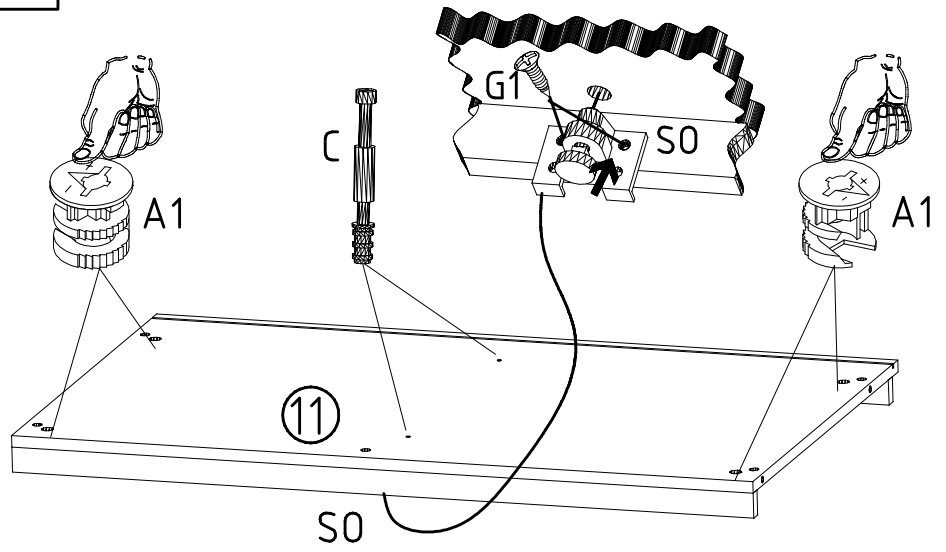
| | | |
|------------------------------|-------------|-----|
| 111 611 | J2 | 6x |
| 6,3 x 10,5 mm 112 055 | T1 | 20x |
| 111 607 | L8 | 8x |
| 352 302 | KP8 | 20x |
| 111 052 | o10 | 1x |
| 4 x 15mm 121 120 | SP15 | 3x |



1

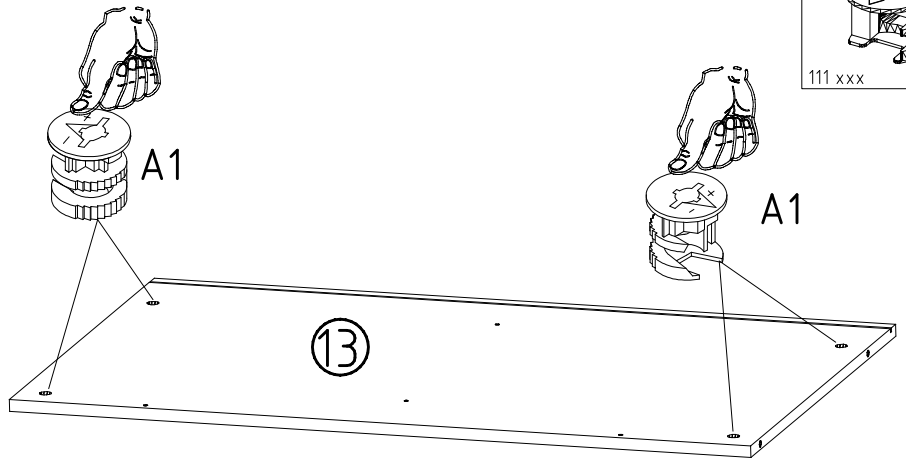


2x

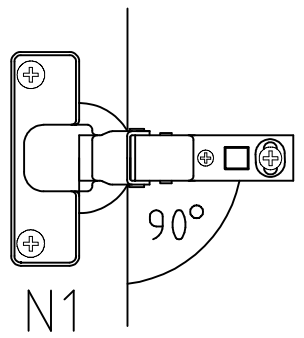
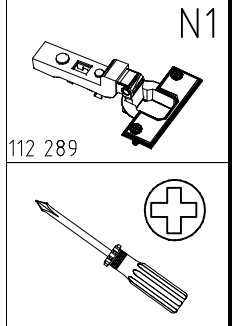
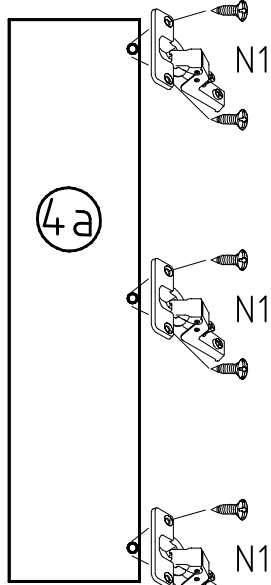
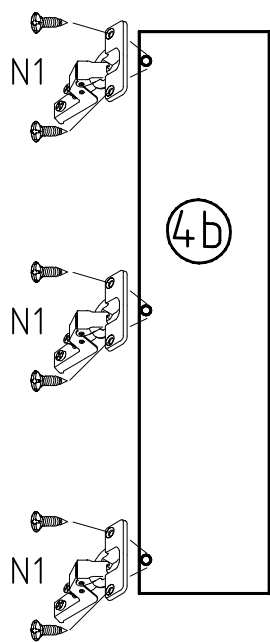
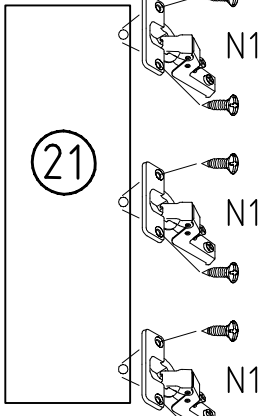
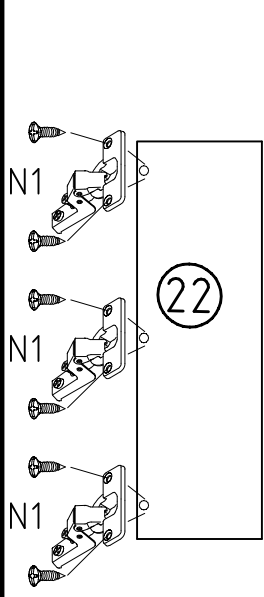


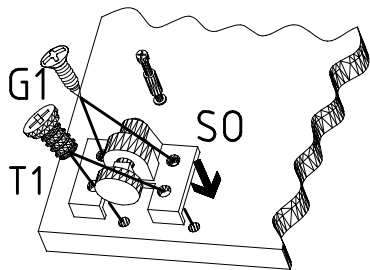
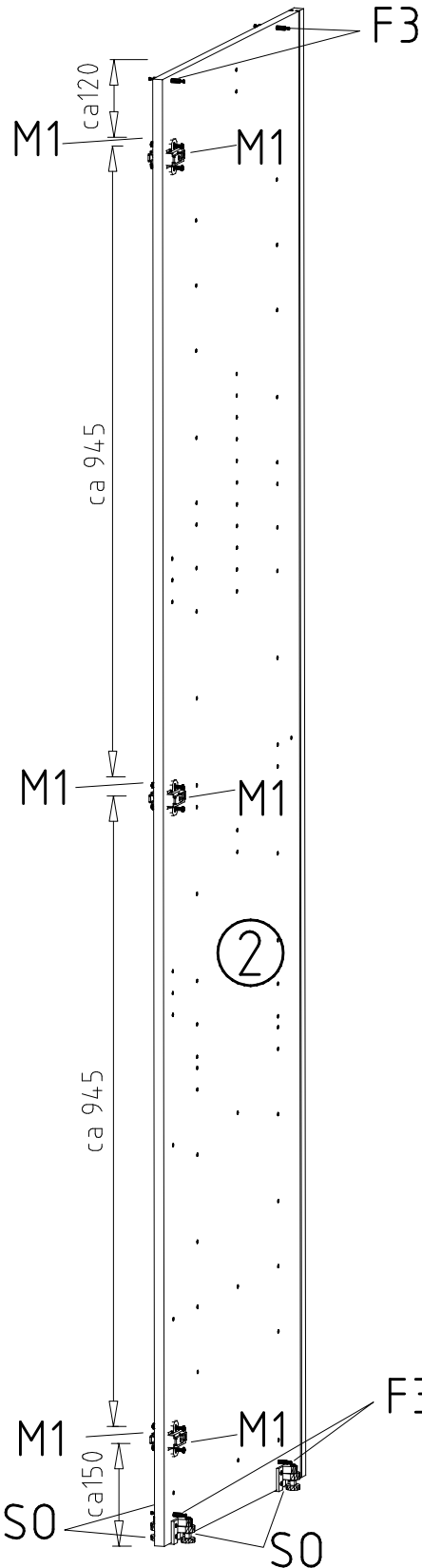
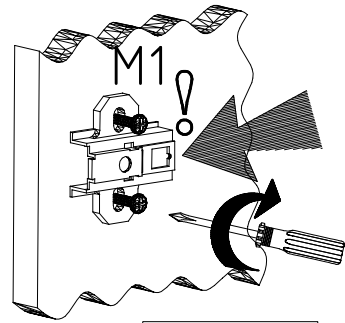
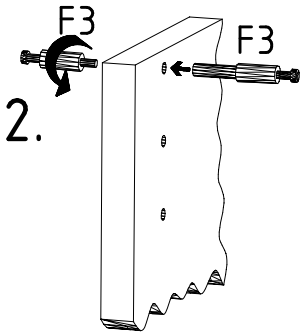
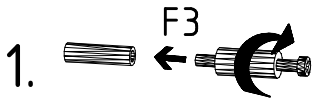
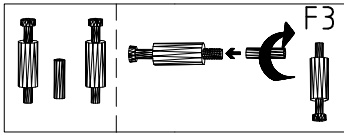
2

2x

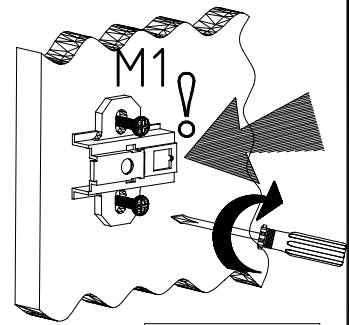
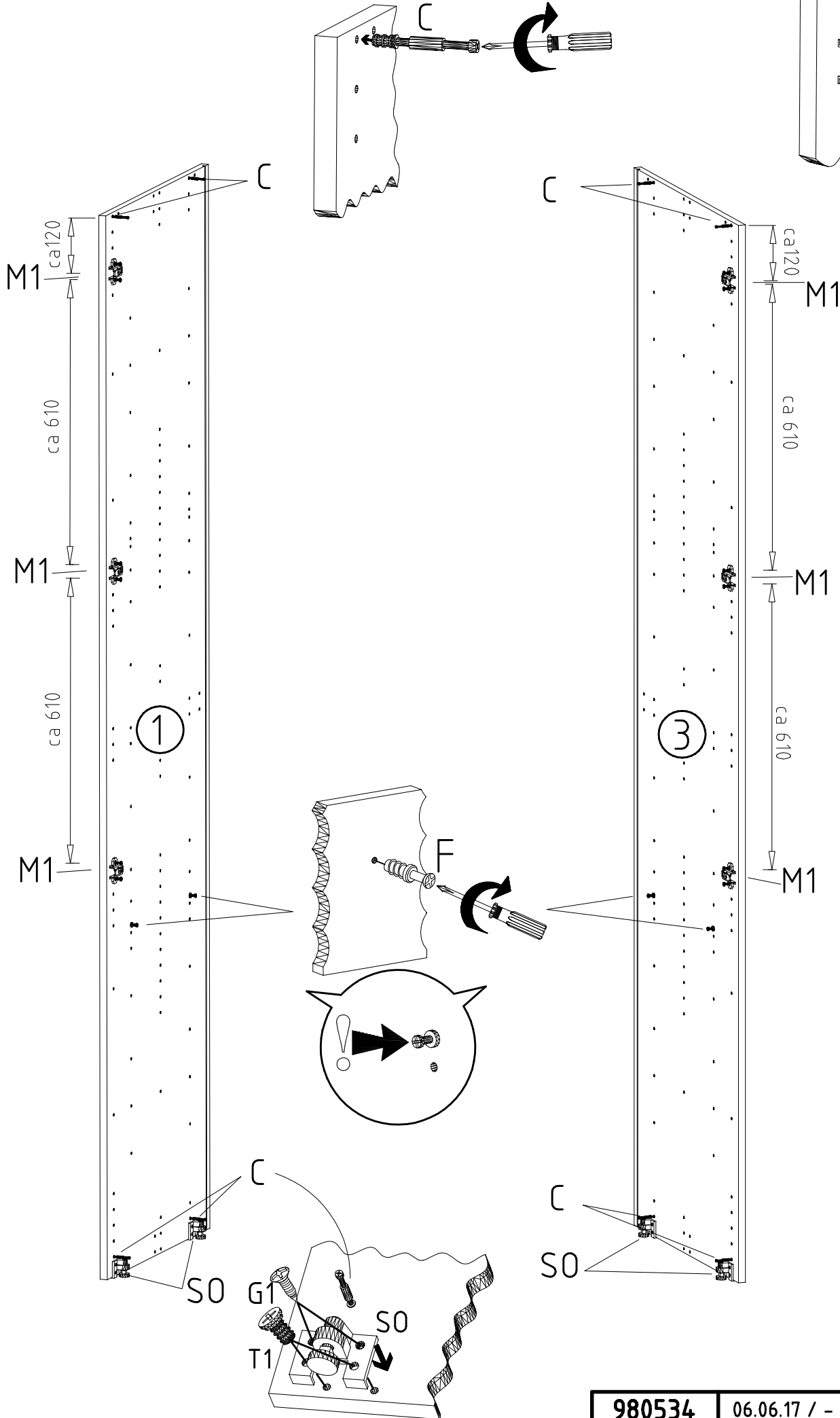


3



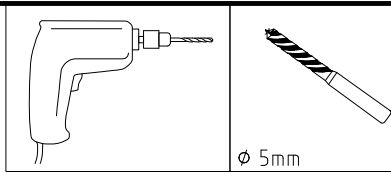


| |
|------------------|
| |
| 6,3 x 10,5 mm T1 |
| |
| 112 055 |
| 3,5 x 15 mm G1 |
| |
| 121 370 |
| M1 |
| |
| 112 291 |
| S0 |
| |
| 111 300 |
| F3 |
| |

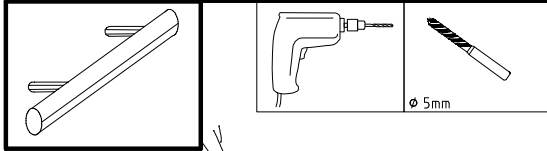
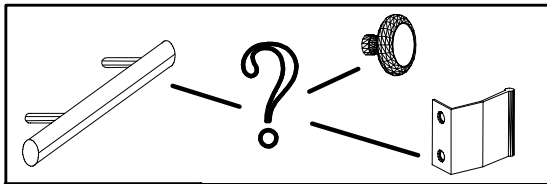


| | |
|---------------|----|
| | |
| 6,3 x 10,5 mm | T1 |
| | |
| 112 055 | |
| 3,5 x 15 mm | G1 |
| | |
| 121 370 | |
| | M1 |
| 112 291 | |
| | C |
| 111 103 | |
| | SO |
| 111 300 | |

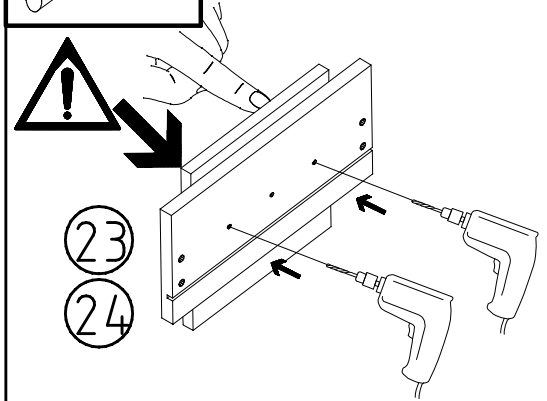
6



ø 5mm

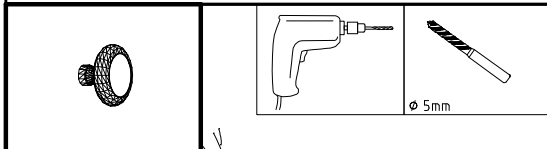


ø 5mm

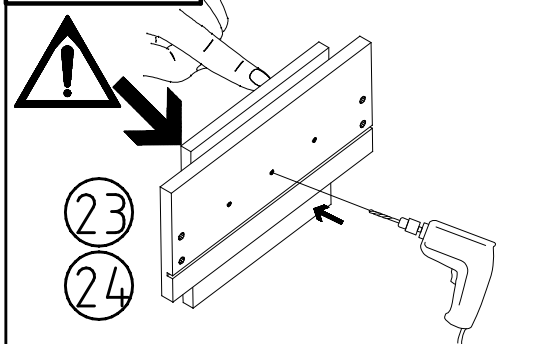


23

24

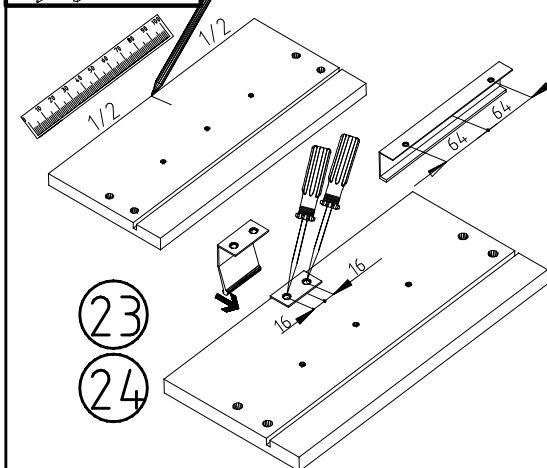
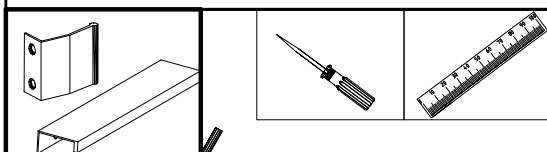


ø 5mm



23

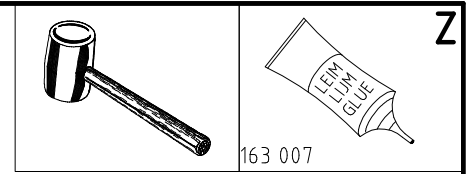
24



23

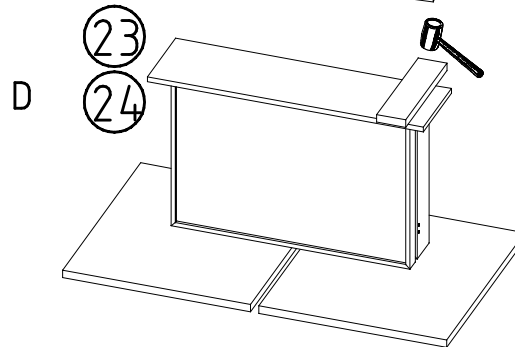
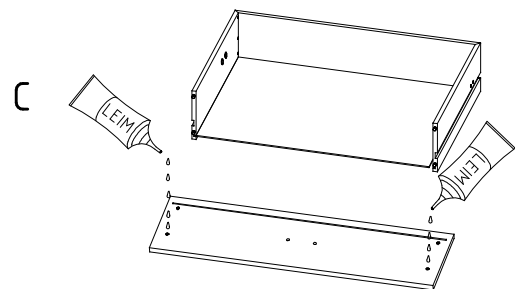
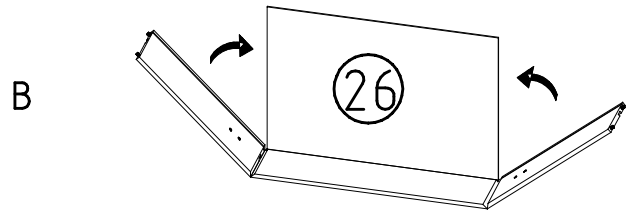
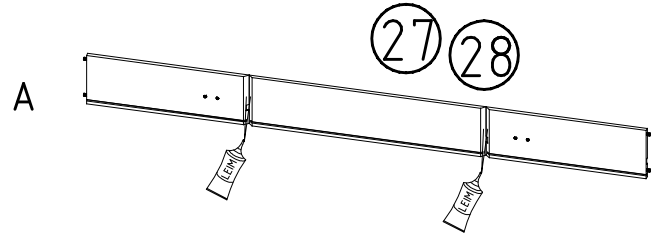
24

7



163 007

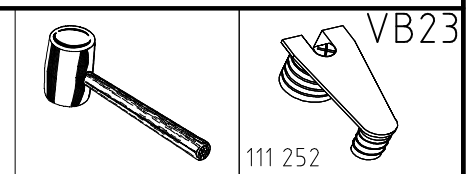
Z



23

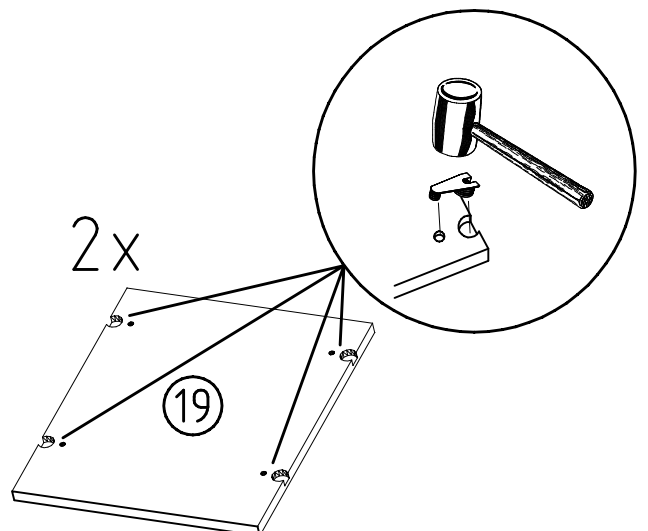
24

8



111 252

VB23



2x

19

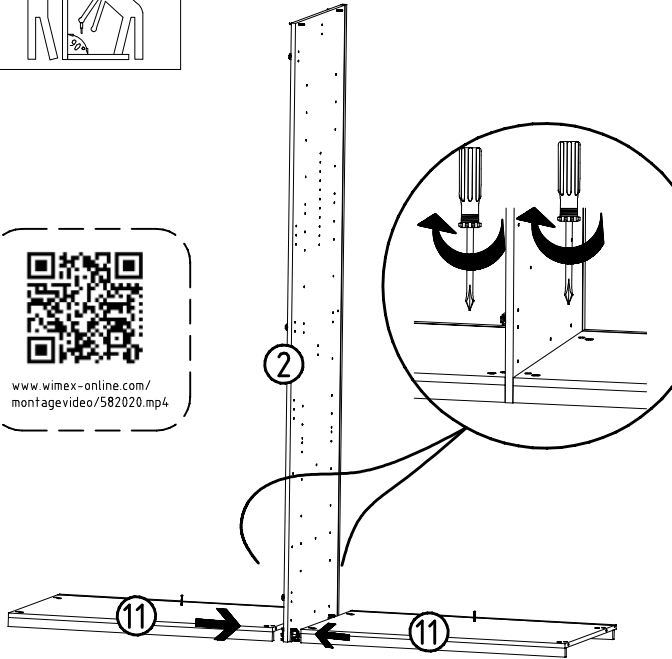
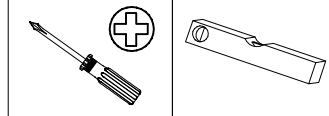
980534

06.06.17 / -

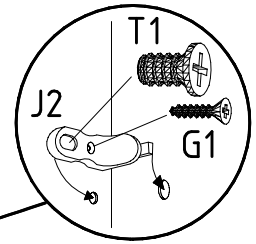
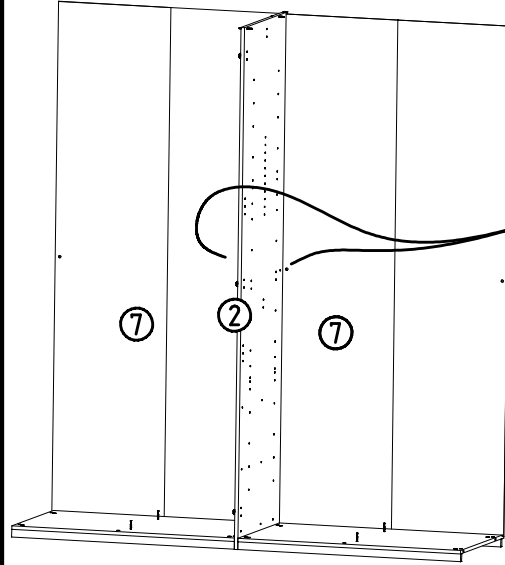
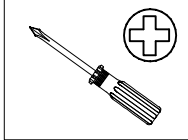
06 17

6/15

9

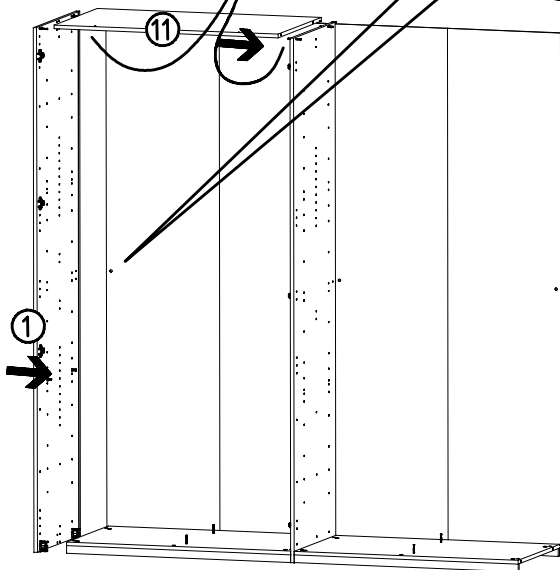
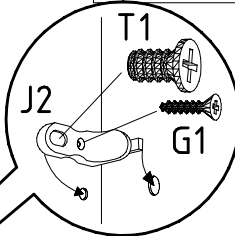
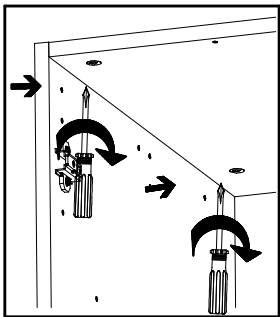
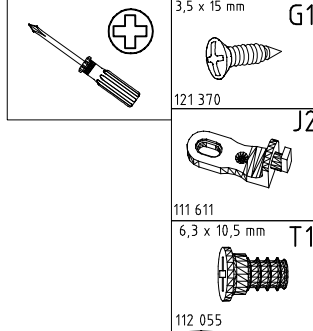


10

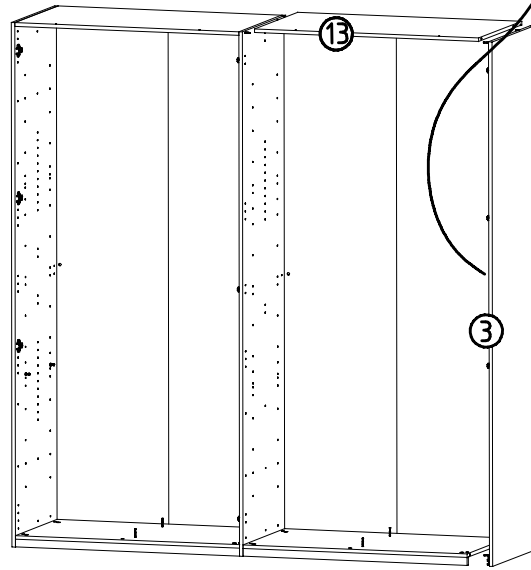
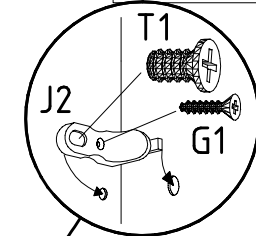
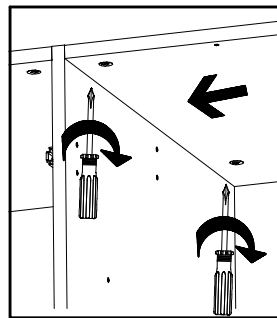
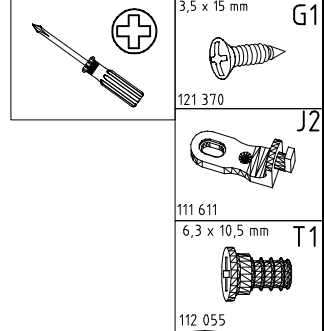


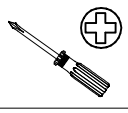
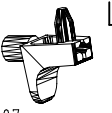
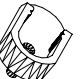

- 3,5 x 15 mm G1
- 121 370
- J2
- 111 611
- 6,3 x 10,5 mm T1
- 112 055

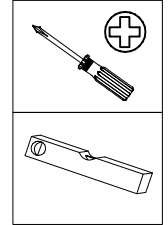
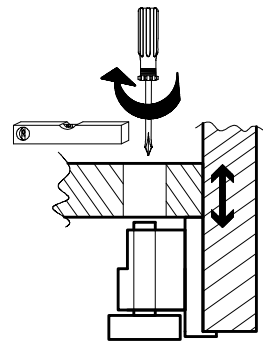
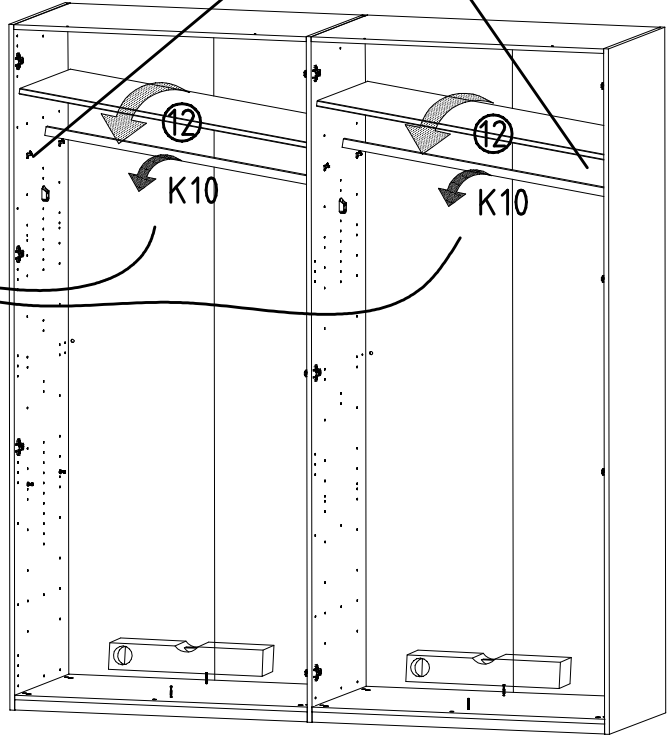
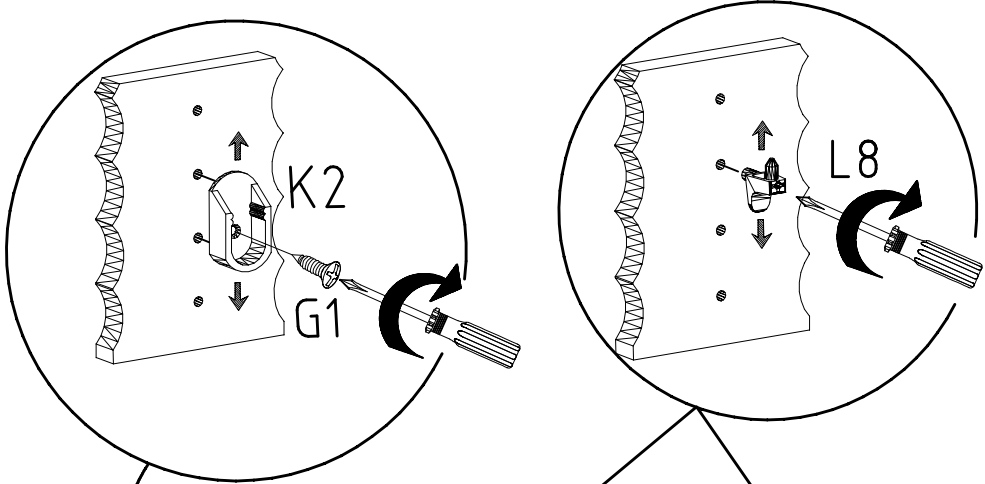
11



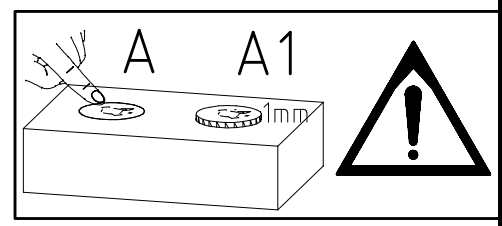
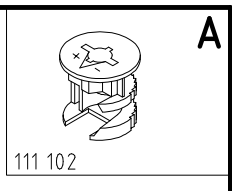
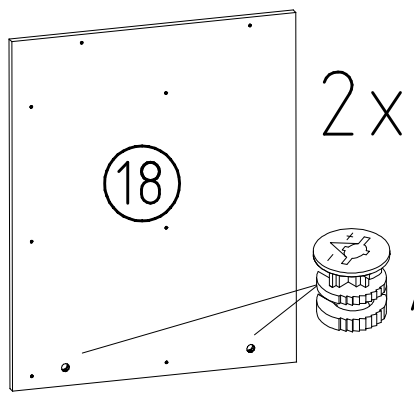
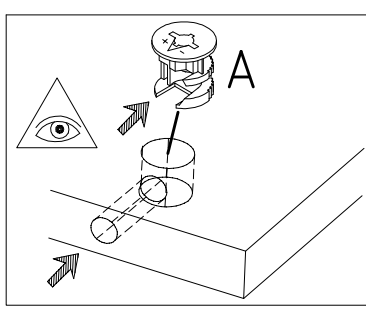
12



| | | |
|--|---|-----|
|  |  | L8 |
| | 111 607 | |
| |  | K2 |
| | 117 002 | |
| | 3,5 x 15 mm | G1 |
| |  | |
| | 121 370 | K10 |
| | 100cm | |
| | 112 400 | |



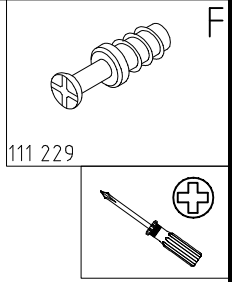
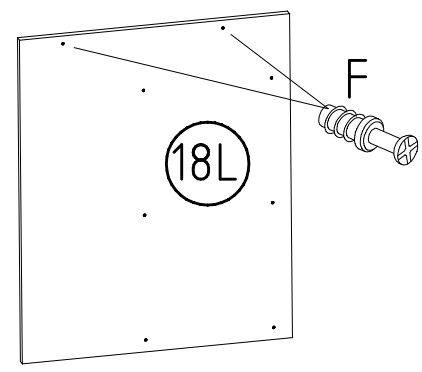
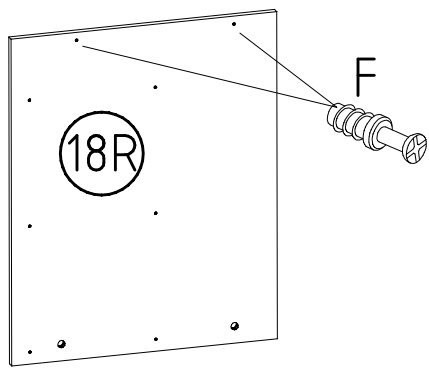
14



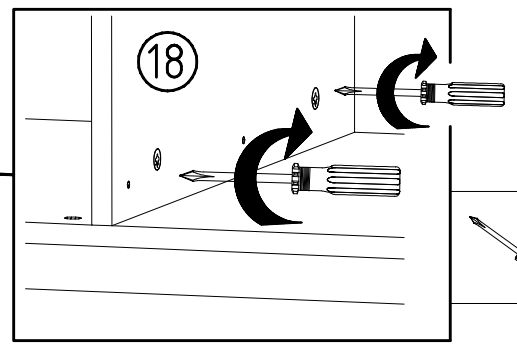
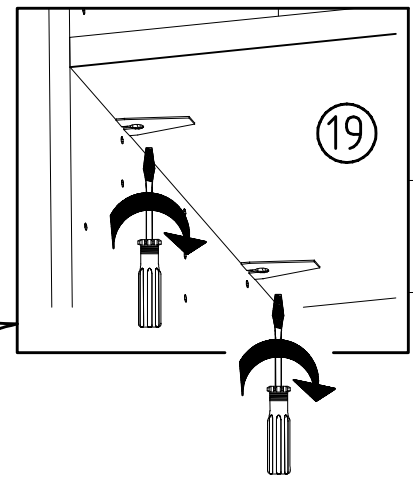
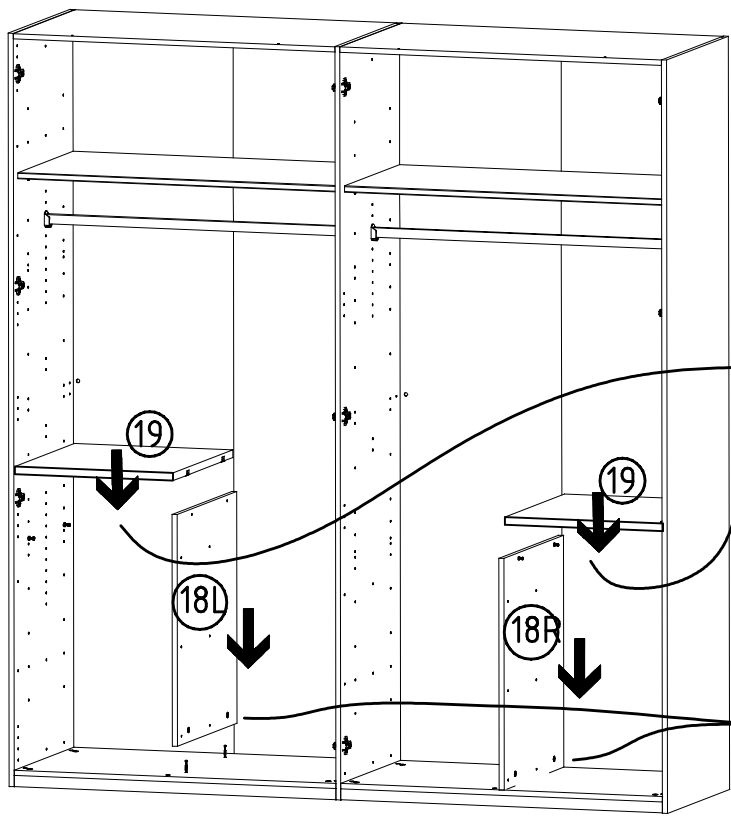
15

1x

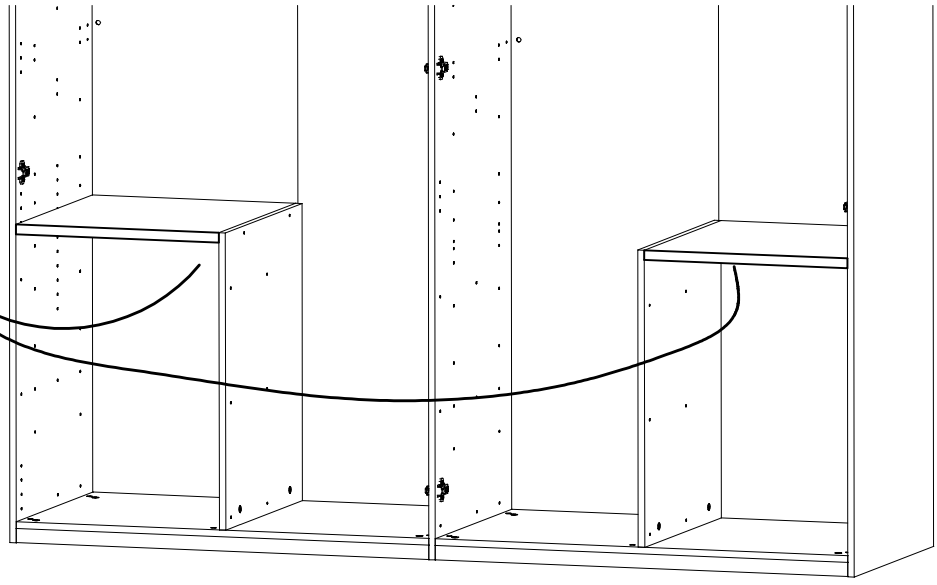
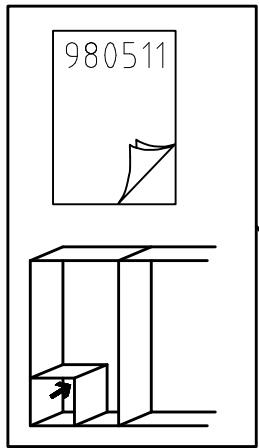
1x



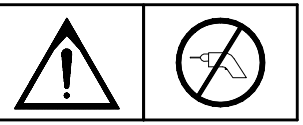
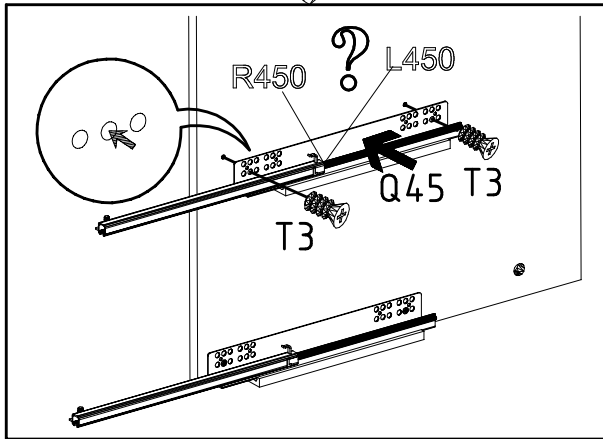
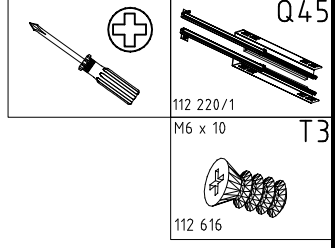
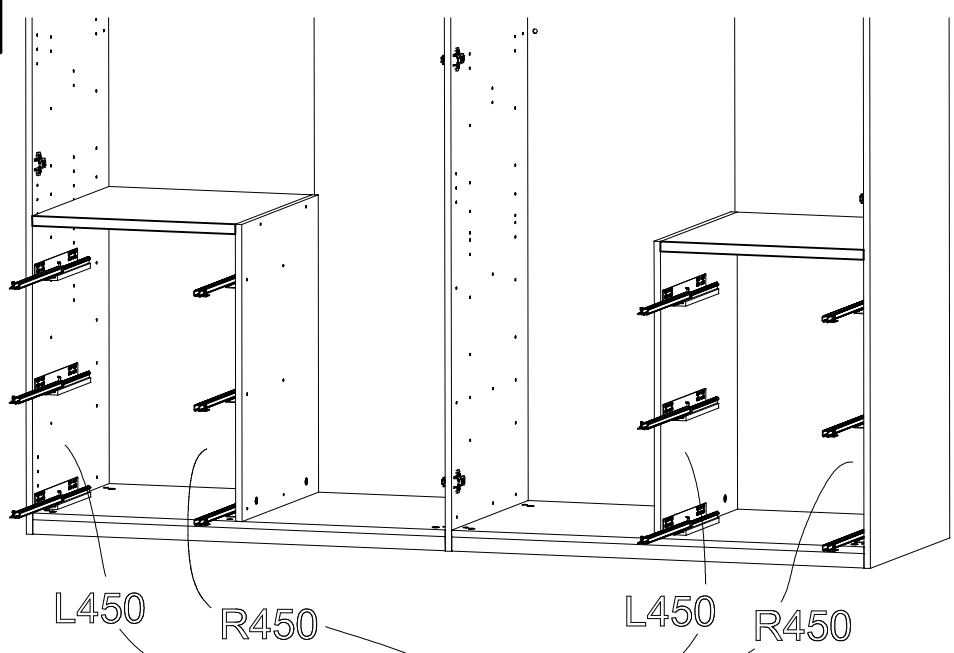
16



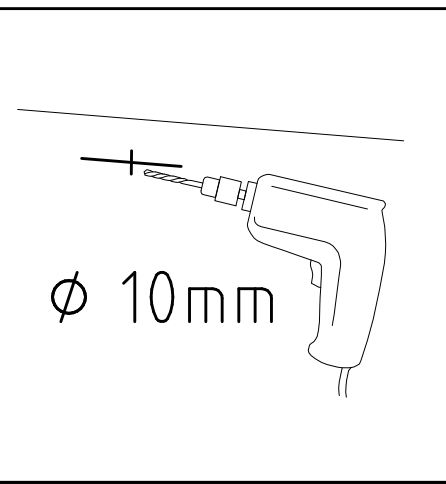
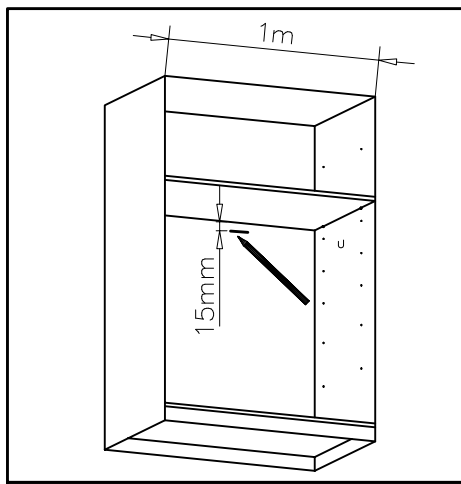
17



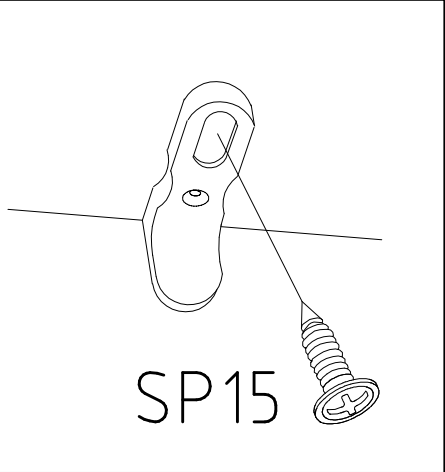
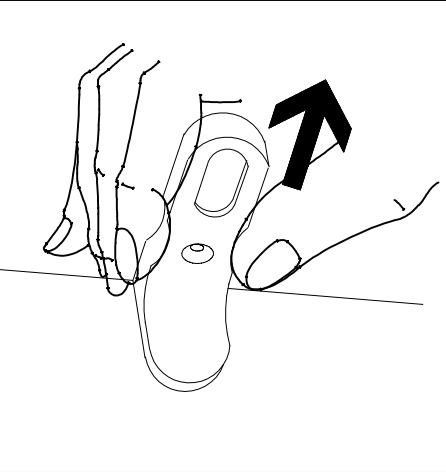
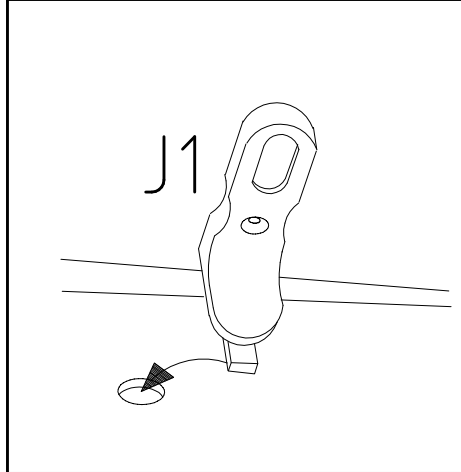
18



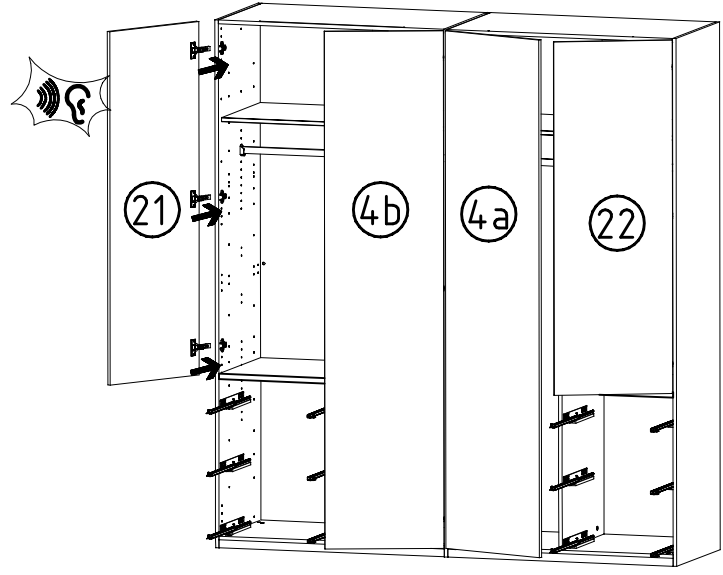
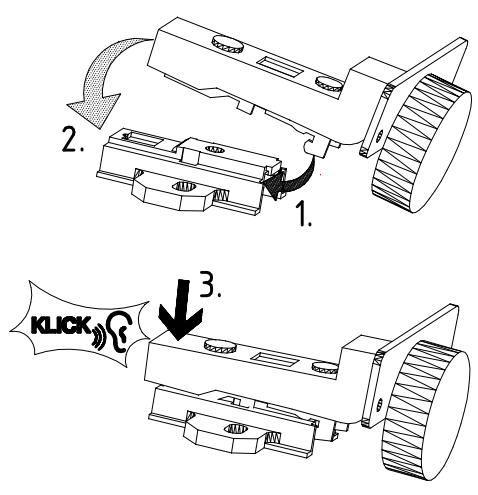
19



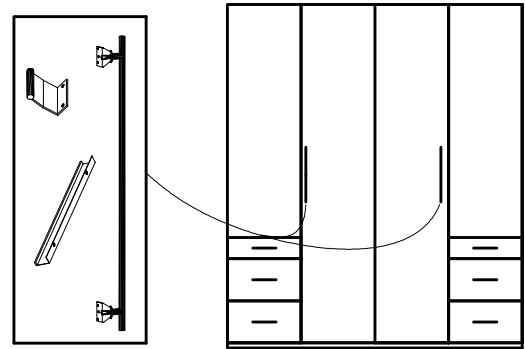
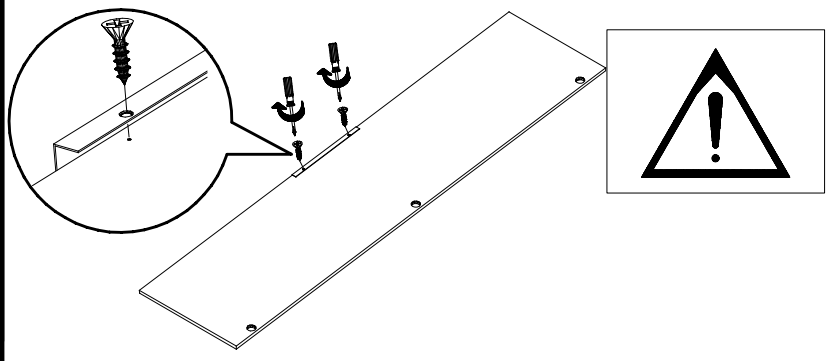
| | |
|------------|---------------------------------|
| | 111 611 |
| Ø 10mm | SP15 4 X 15mm 121 120 |
| | |



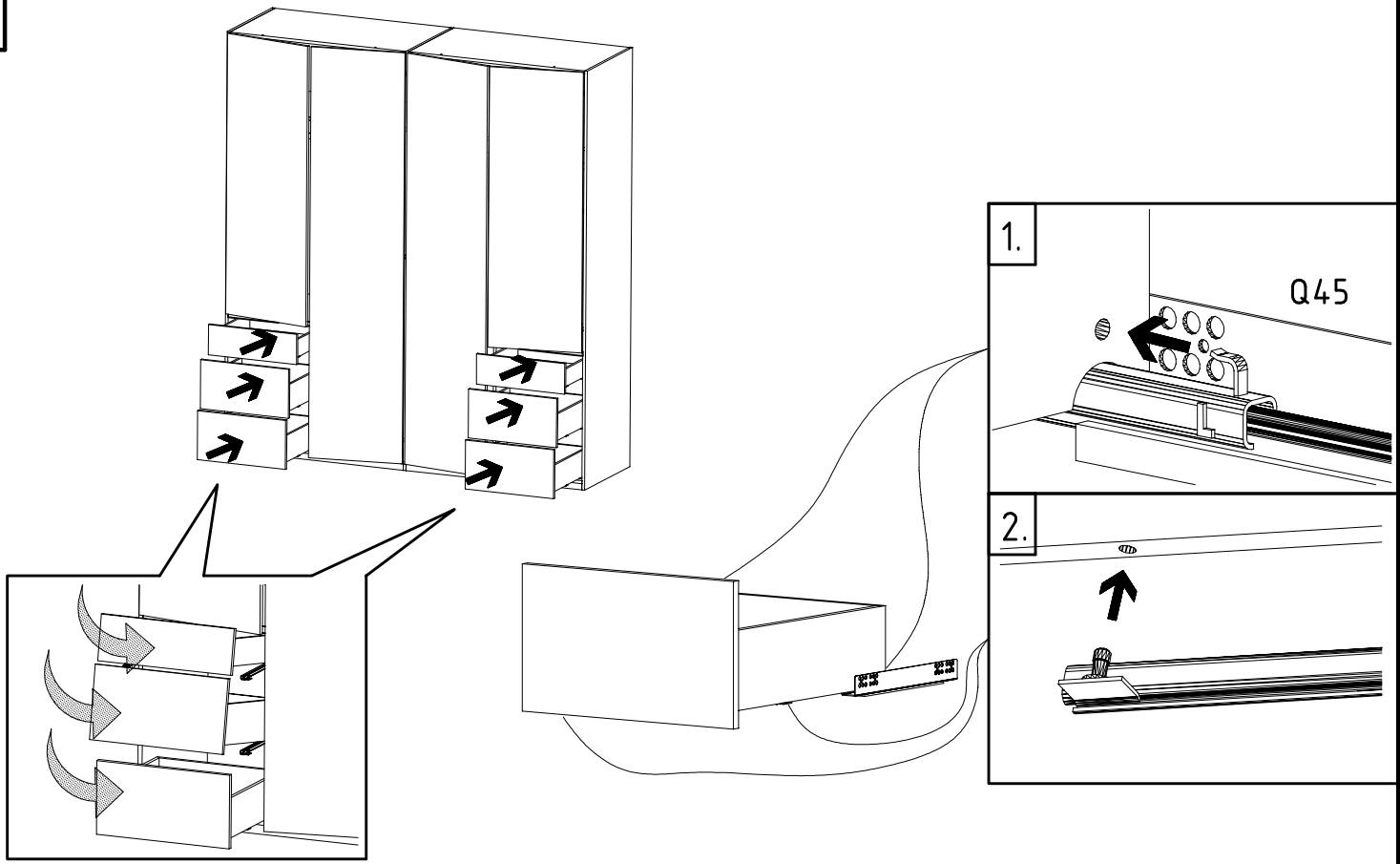
20



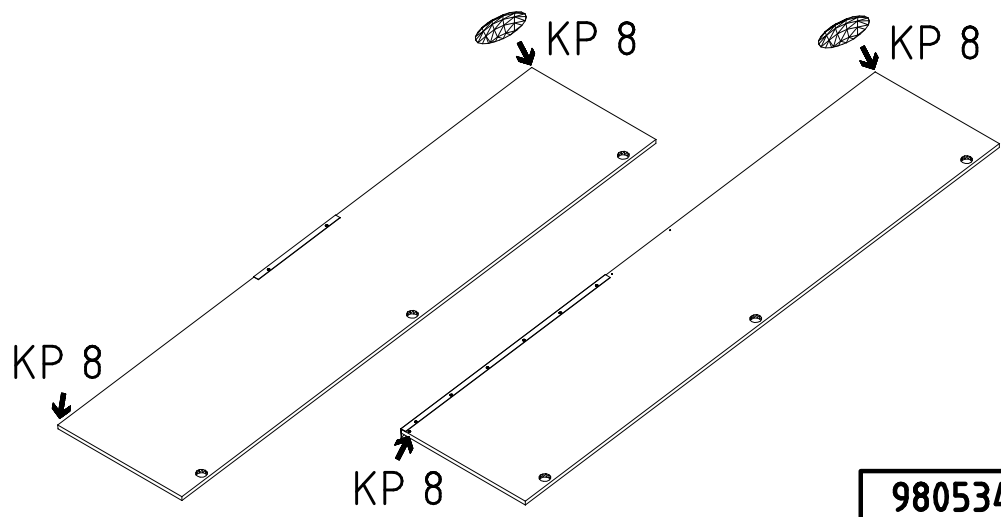
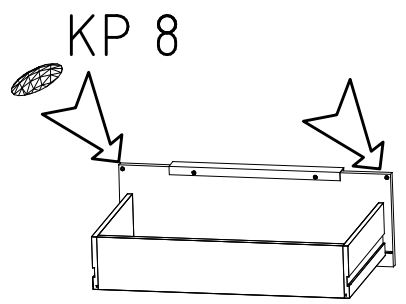
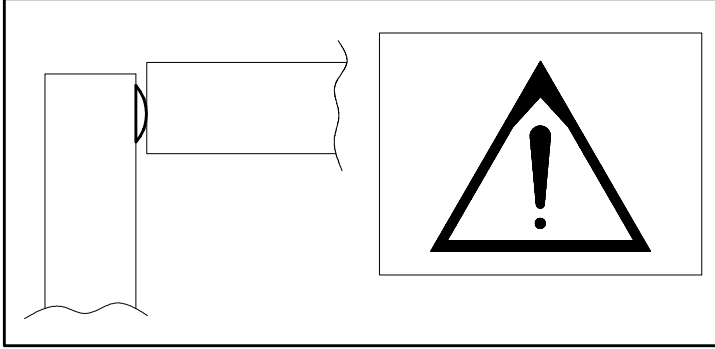
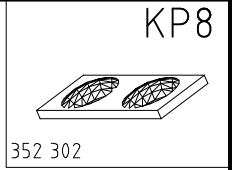
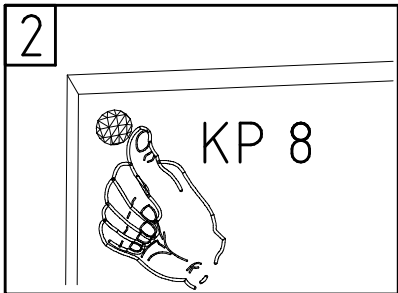
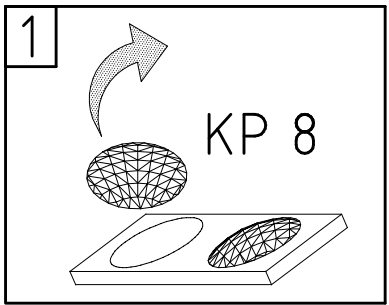
21



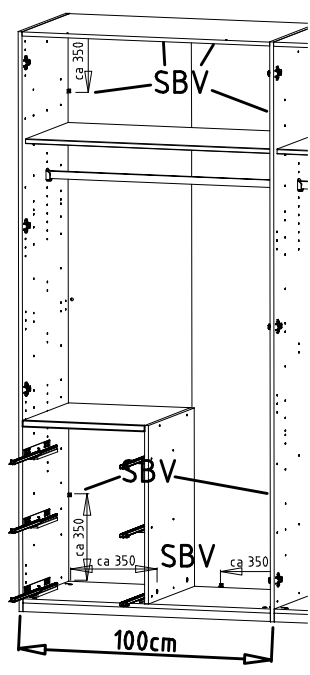
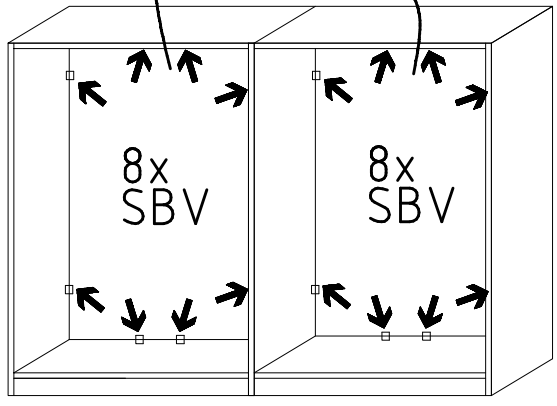
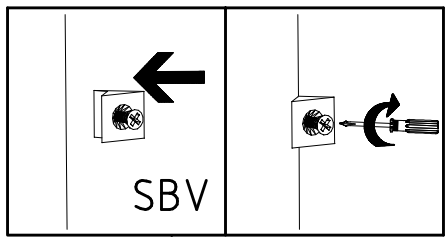
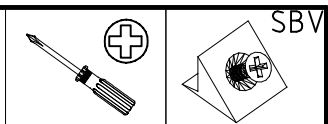
22



23



24



25

