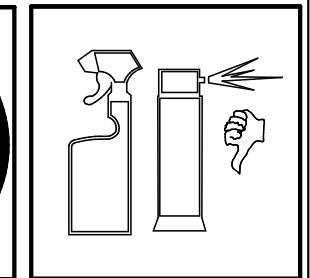
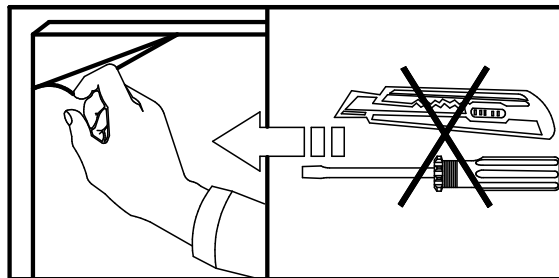
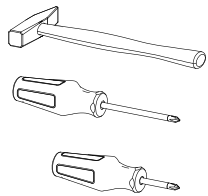
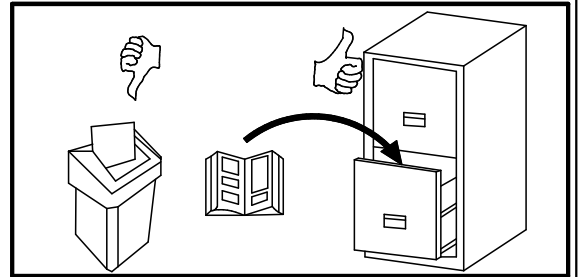
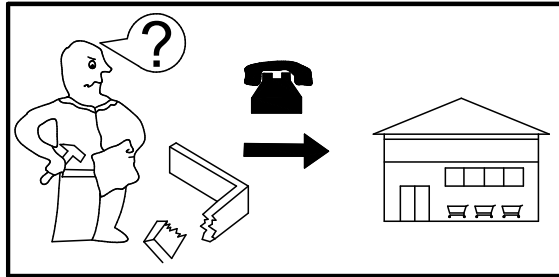
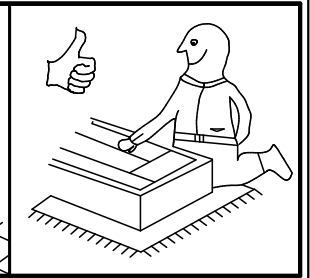
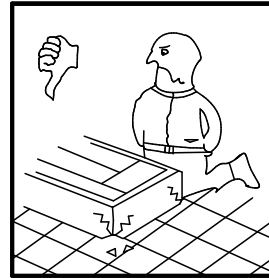
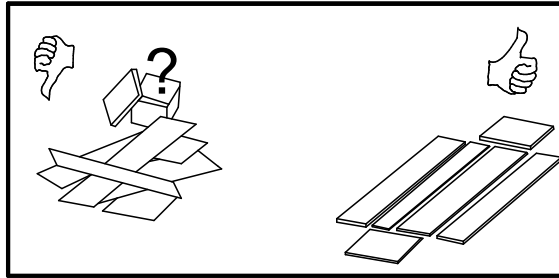
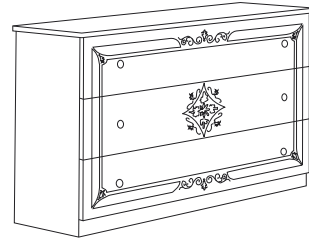


LUIZA

1126 x 420 x 732 mm

33 kg.



Parts list:

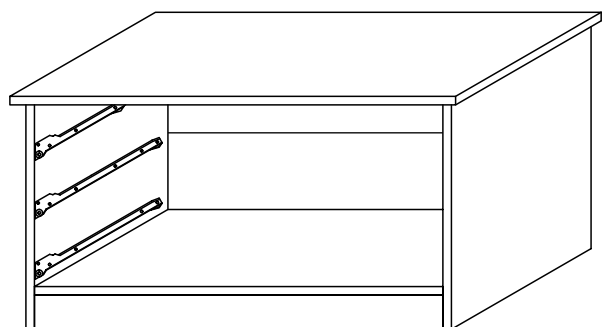
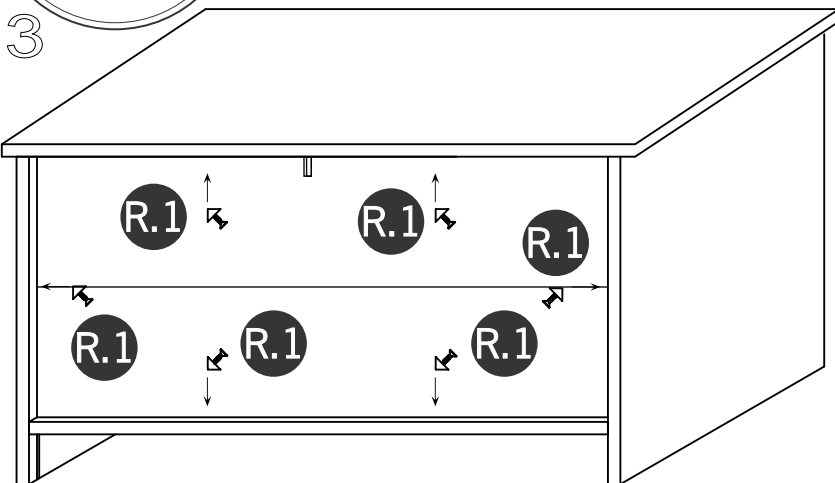
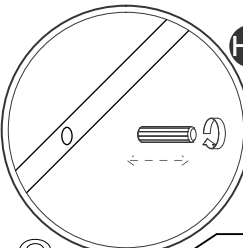
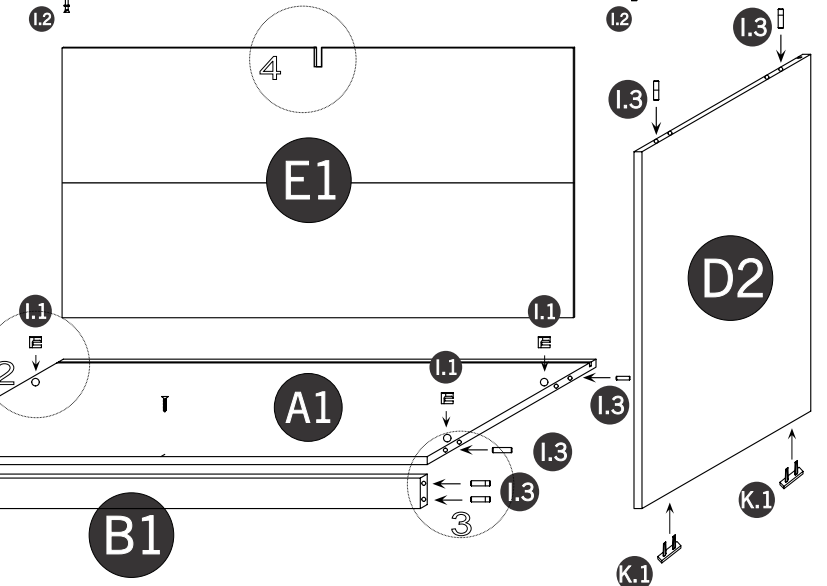
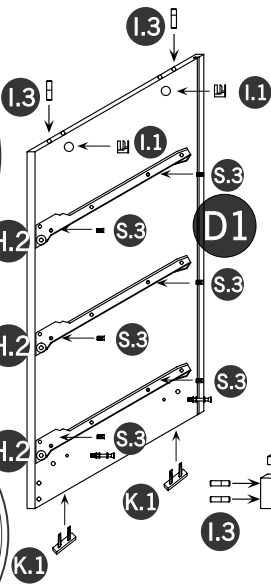
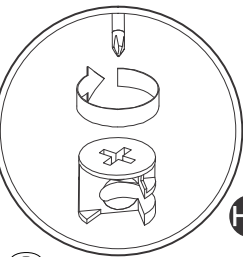
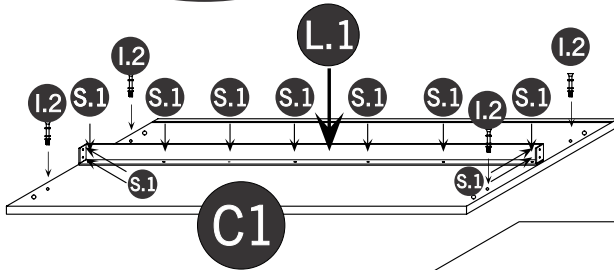
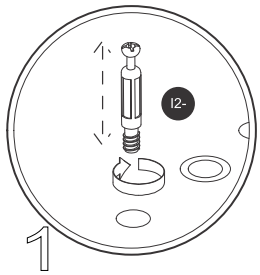
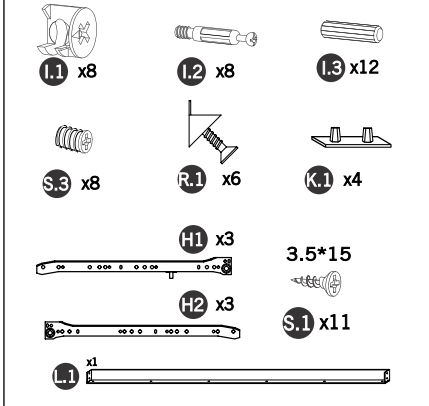
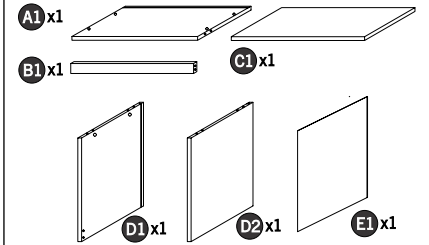
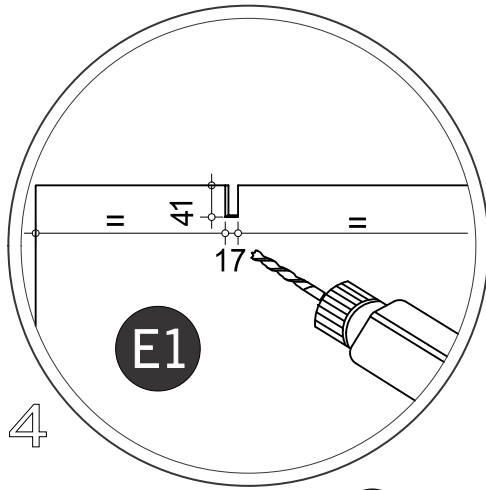
- A1** x1 1066mm x 390mm x 16mm
- B1** x1 1066mm x 61mm x 16mm
- C1** x1 1126mm x 420mm x 16mm
- D1** x1 714mm x 390mm x 16mm
- D2** x1 714mm x 390mm x 16mm
- E1** x1 1081mm x 651mm x 3mm
- F1** x3 1096mm x 213mm x 16mm
- G1** x3 1028mm x 351mm x 3mm

A-1	1-1
B-1	1-1
C-1	1-1
D-2	1-1
E-1	1-1
F-3	1-1
G-3	1-1

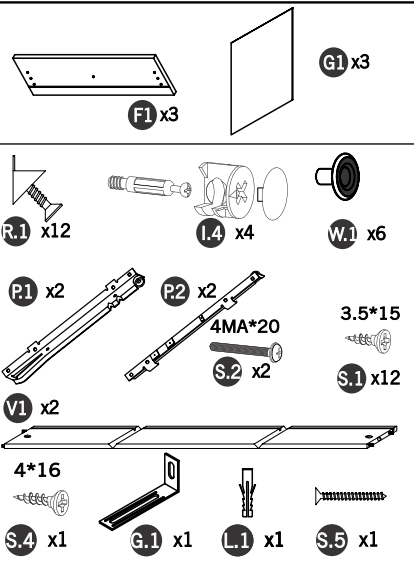
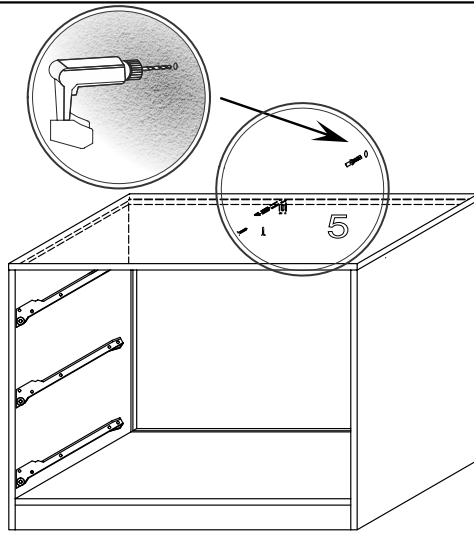
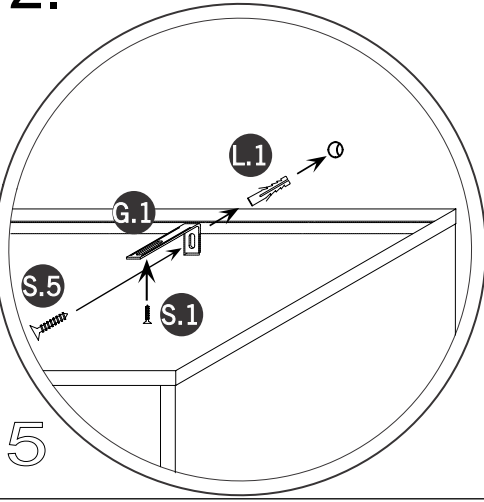
Hardware list:

- I.1** x8
- I.2** x8
- I.3** x12
- S.1** x37
- S.2** x6
- S.3** x12
- R.1** x20
- W.1** x6
- V.1** x3
- I.4** x6
- K.1** x4
- P.1** x3
- P.2** x3
- H.1** x3
- H.2** x3
- L.1** x1
- S.4** x1
- G.1** x1
- L.1** x1
- S.5** x1

1.



2.



3.

