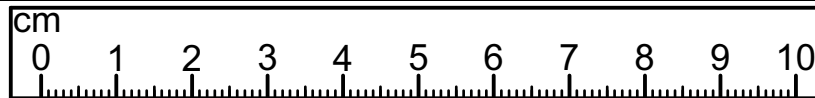
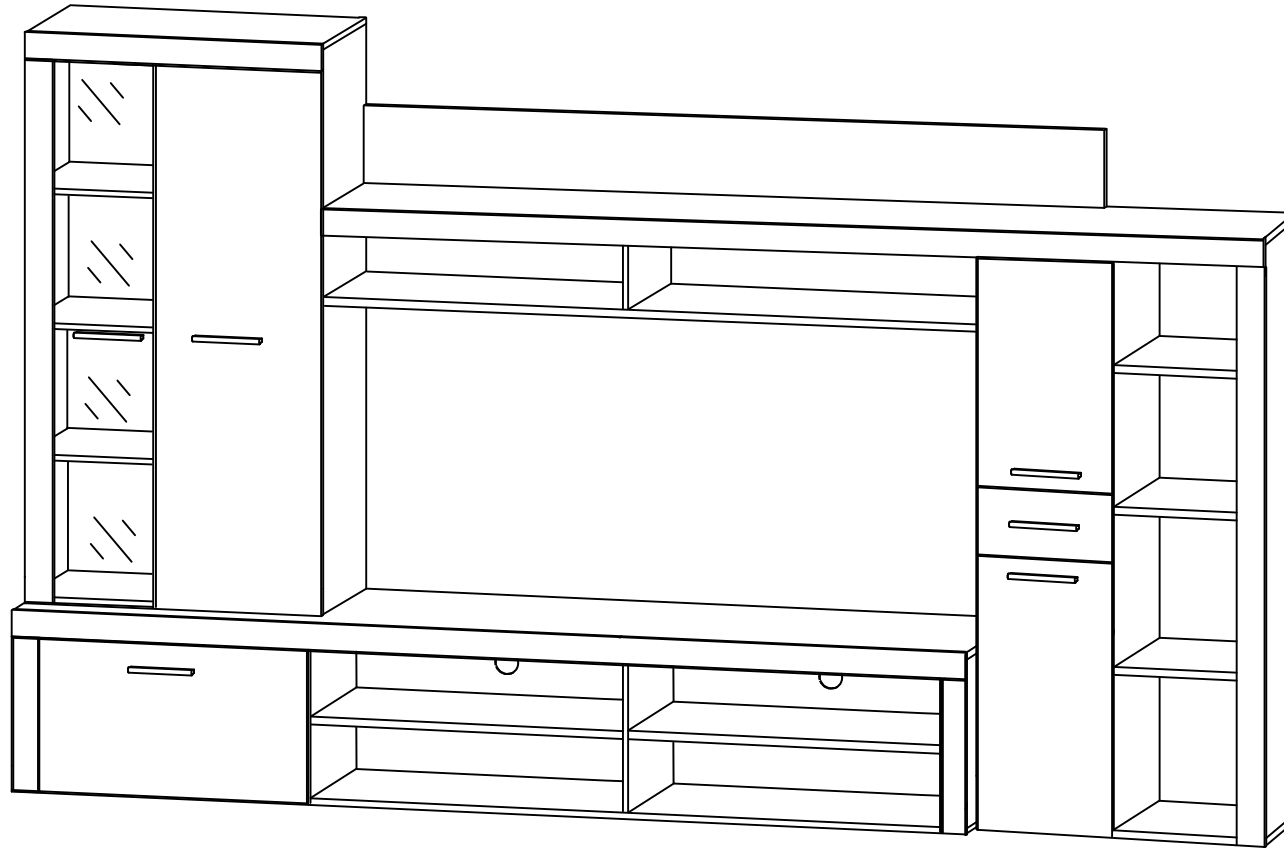
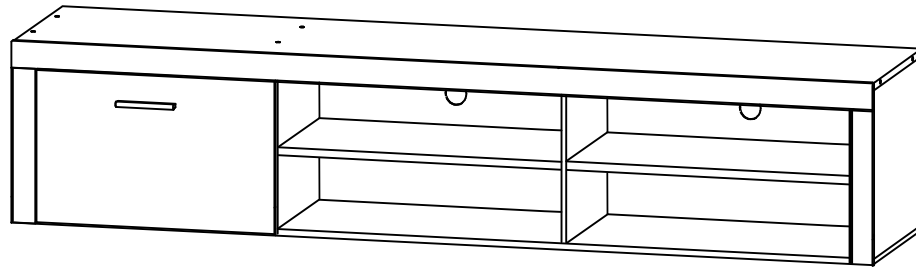


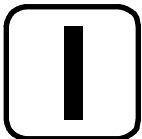
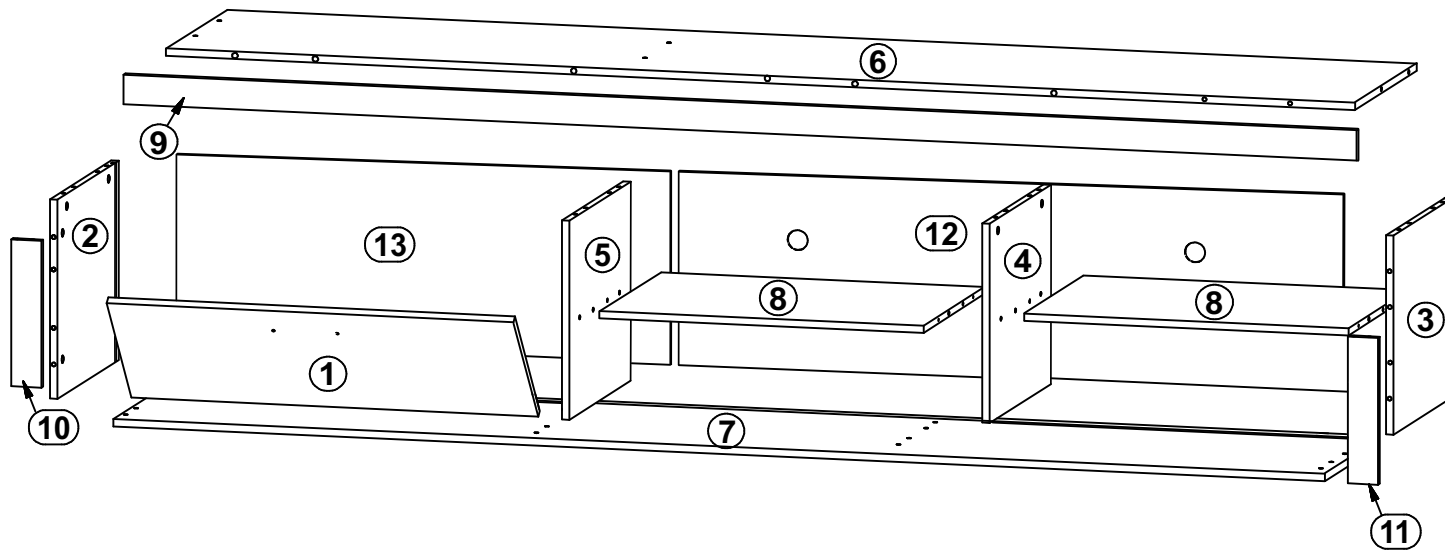
180 min

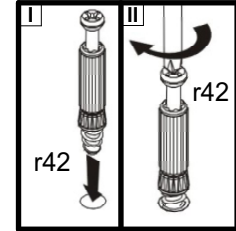
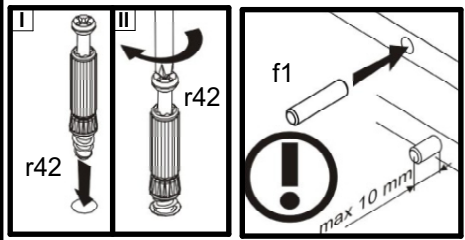
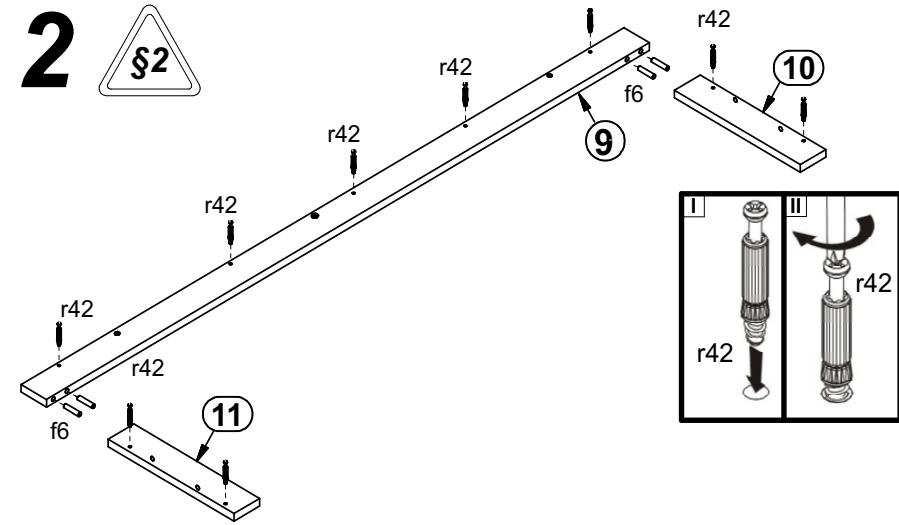
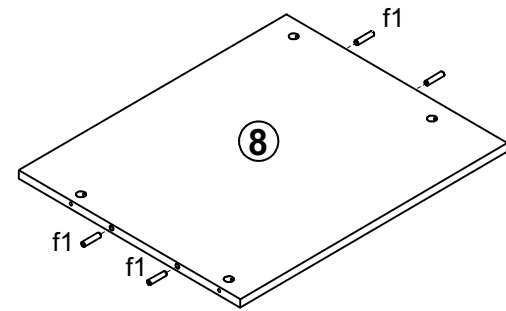
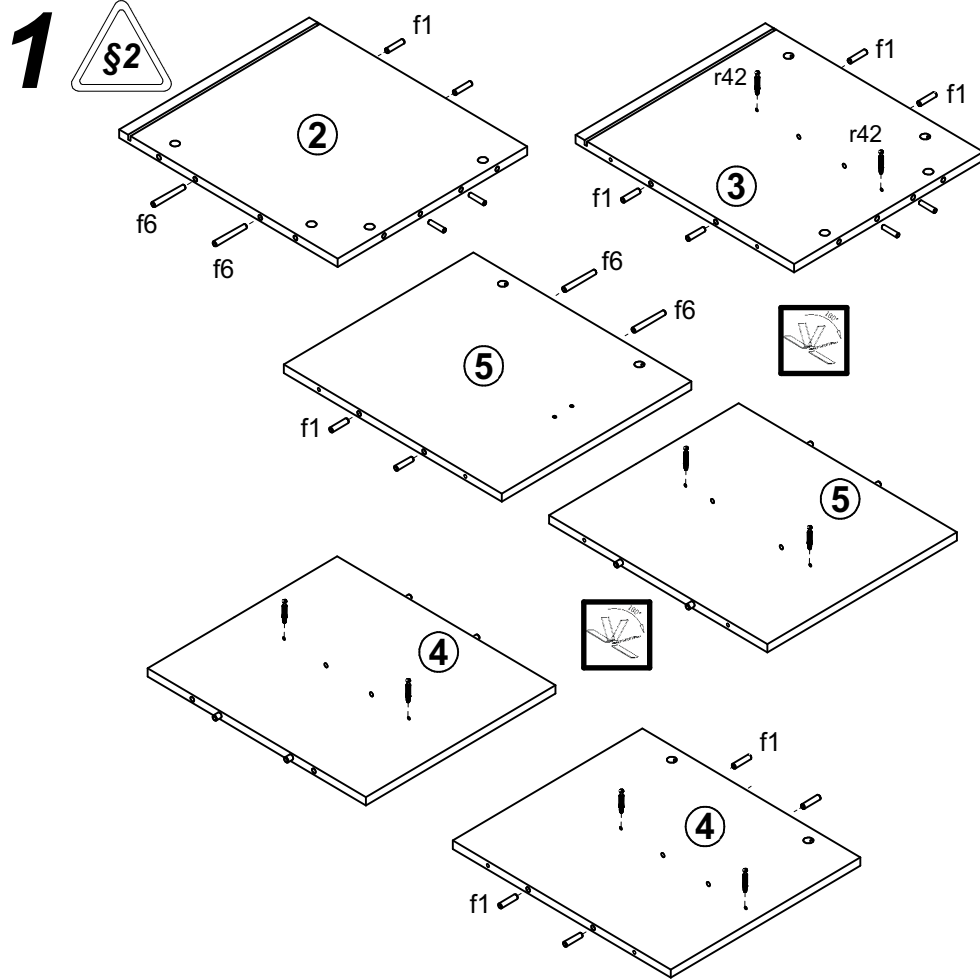


12x K0 a44	12x D5 b19	6x L=96/128 mm c235	24x 5x17 mm d1	24x 7x50 mm e1	2x f6,3x13 mm e5	89x f8x30 mm f1	10x f8x50 mm f6	4x 6,5x40mm f25	66x I2	1x L-236 m3	14x 20x13x3,51mm n108	2x o1
3x f3,5x13 mm p1	10x f4x30 mm p9	12x f3,5x16 mm p38	24x f3,5x15 mm p51	14x f2,9x16 mm p55	2x f4x12 mm p59	75x f15x12mm #16 r1	75x 20/11 r42	6x x13mm e3	4x U5x9 mm e19	11x k55	22x φ4x35mm p6	10x silikon φ8x1,8mm o21
7x s1	15x 16 s2	1x 300 mm w37\CL	1x 300 mm w37\CR	1x 300 mm w37\DL	1x 300 mm w37\DR	1x z1						

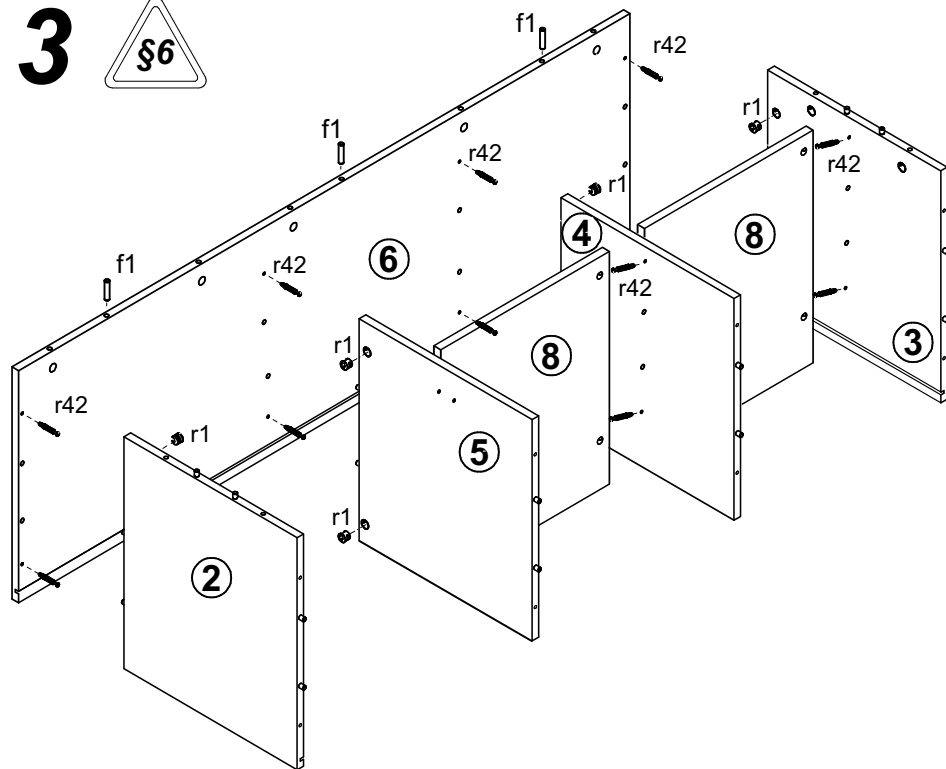


A	B	C (mm)		D
1	N64-008	587	332	1/5
2	N64-103	363	400	2/5
3	N64-104	363	400	2/5
4	N64-105	363	380	1/5
5	N64-106	363	380	1/5
6	N64-206	1800	400	1/5
7	N64-207	1800	400	1/5
8	N64-312	559	380	1/5
9	N64-515	1800	60	2/5
10	N64-505	336	60	2/5
11	N64-511	336	60	2/5
12	N64-906	373	1146	1/5
13	N41-908	373	629	2/5

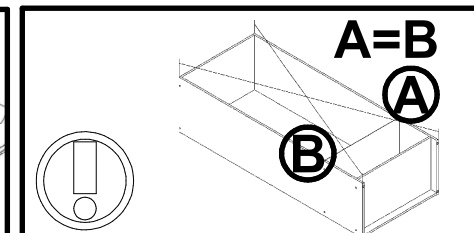
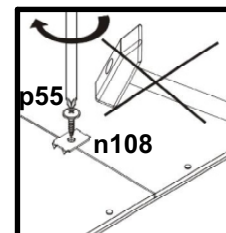
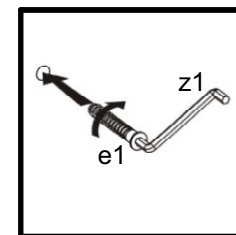
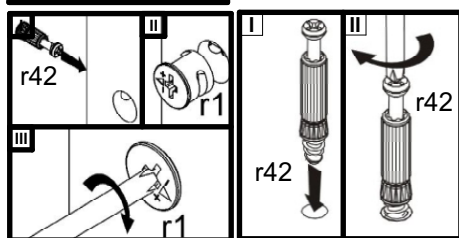
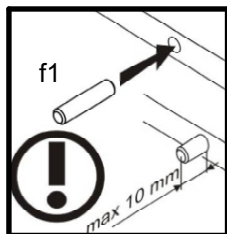
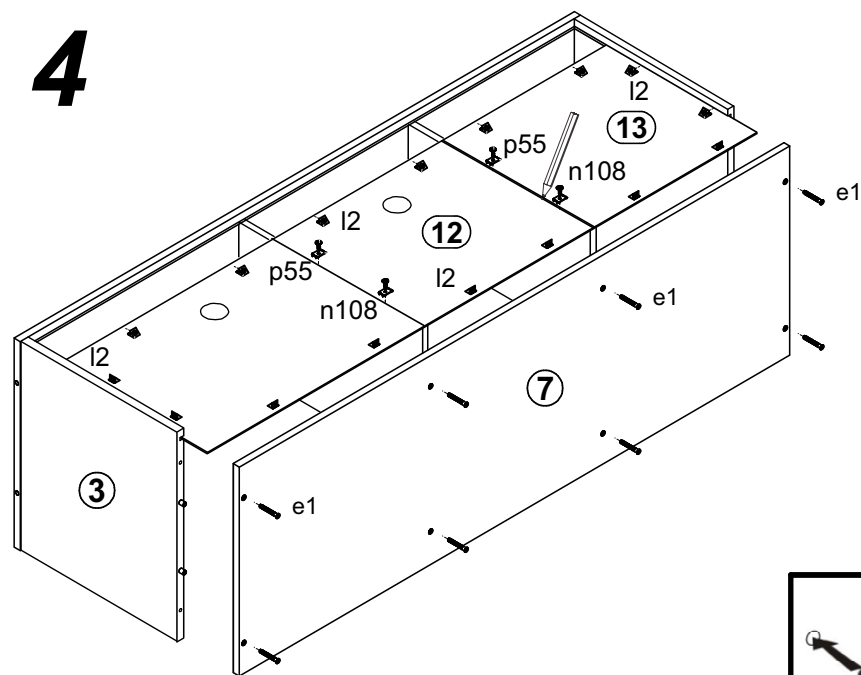


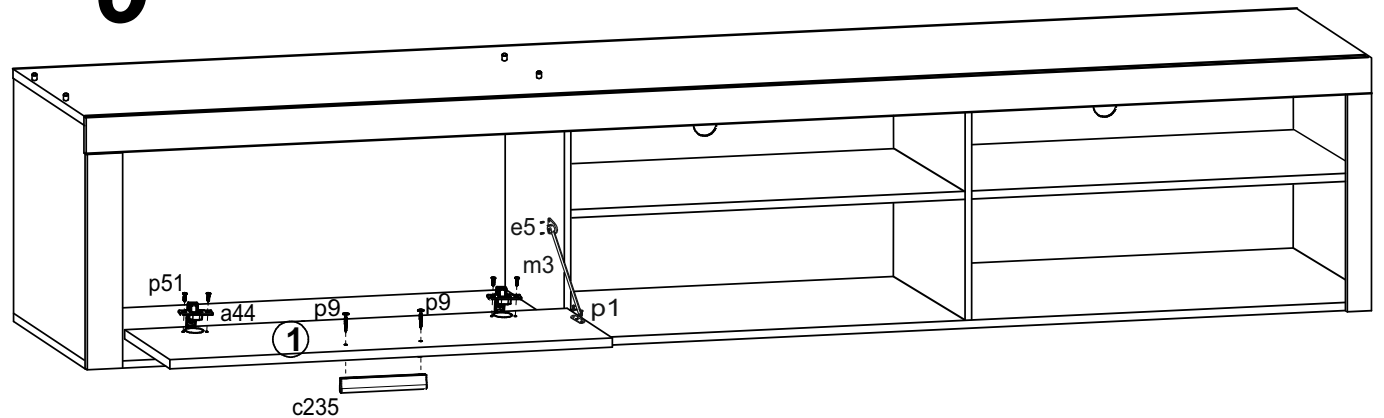
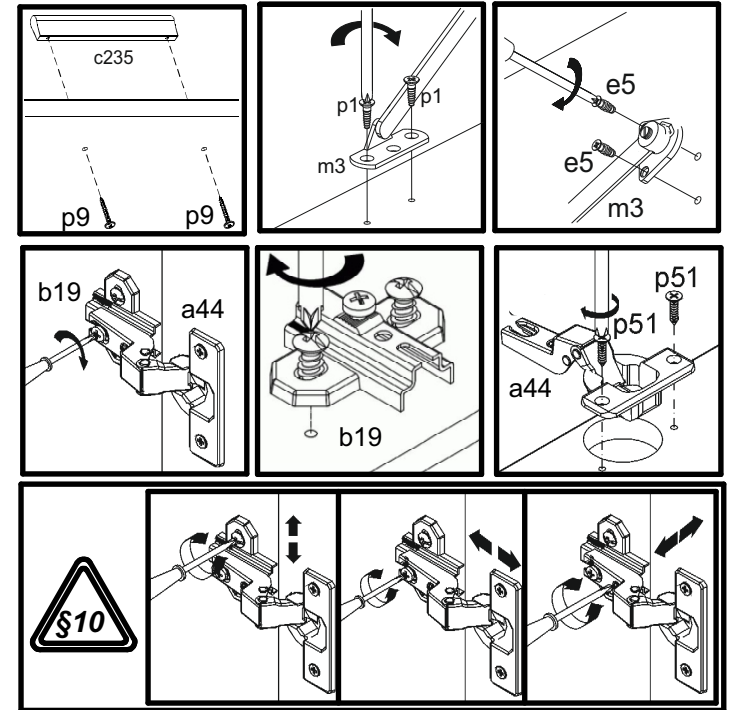
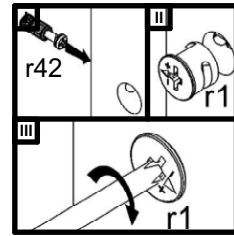
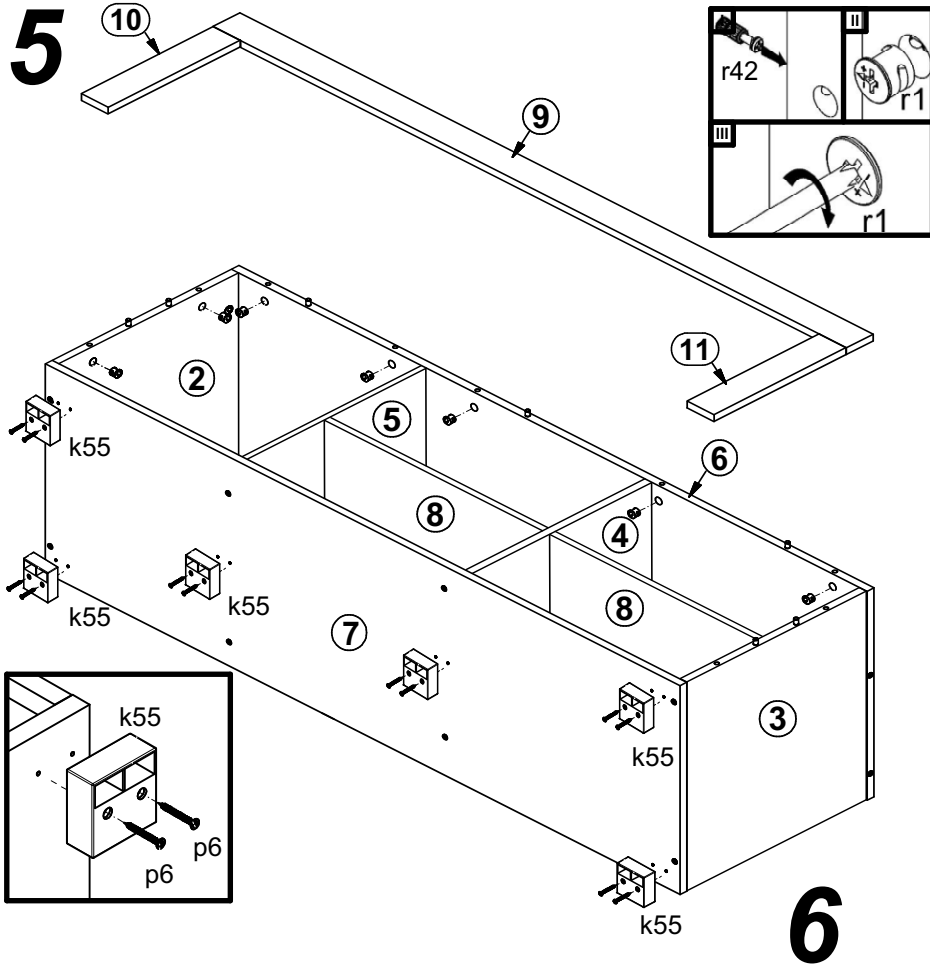


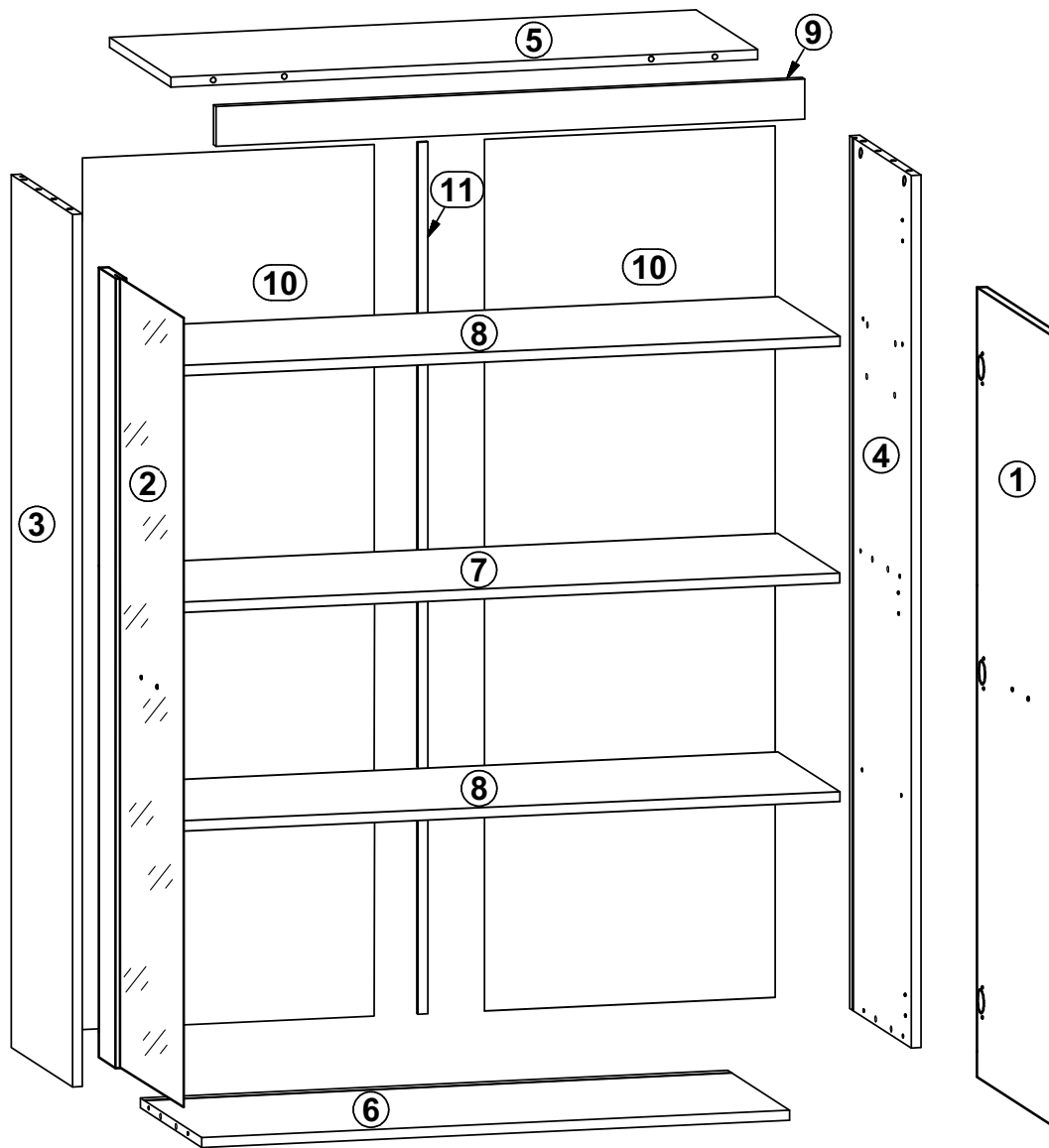
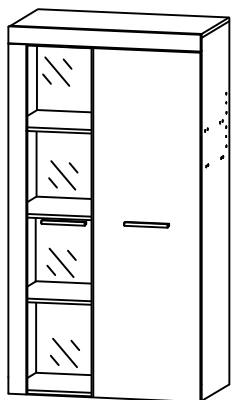
3



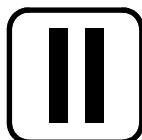
4



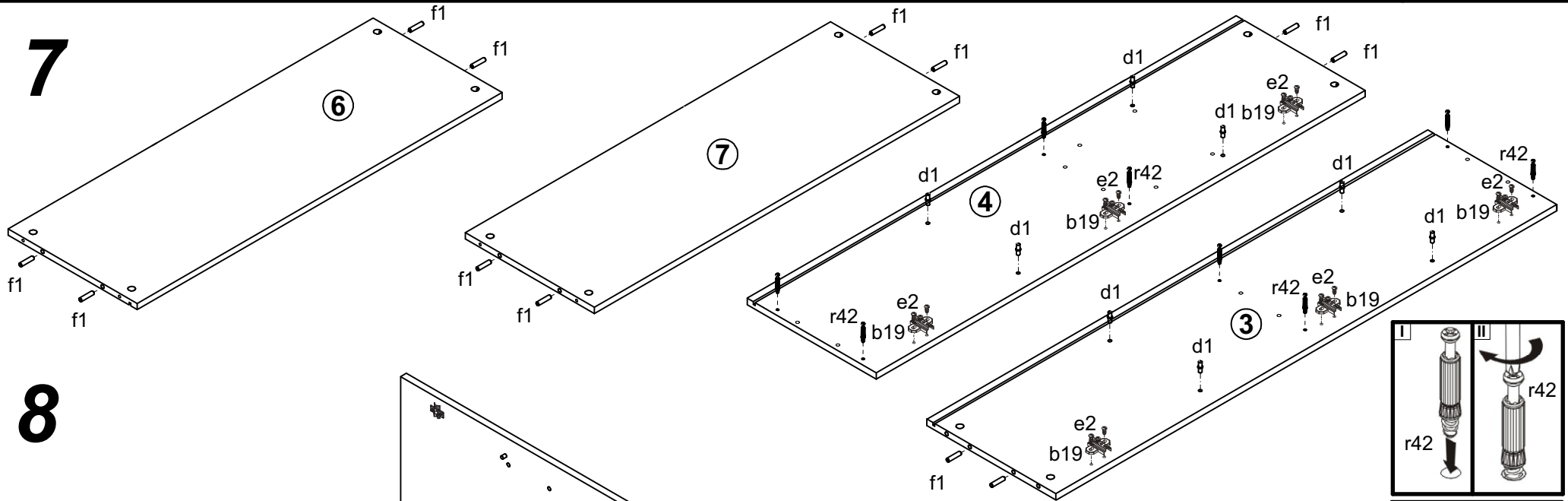




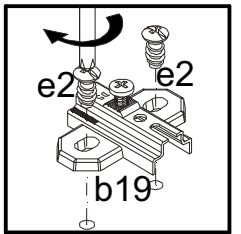
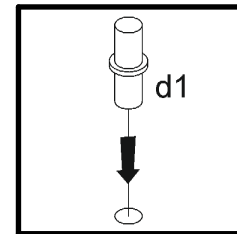
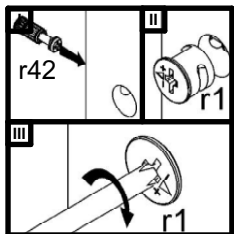
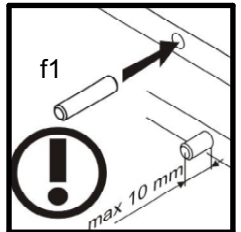
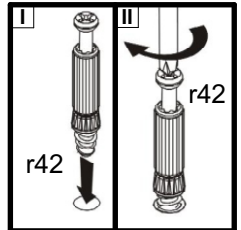
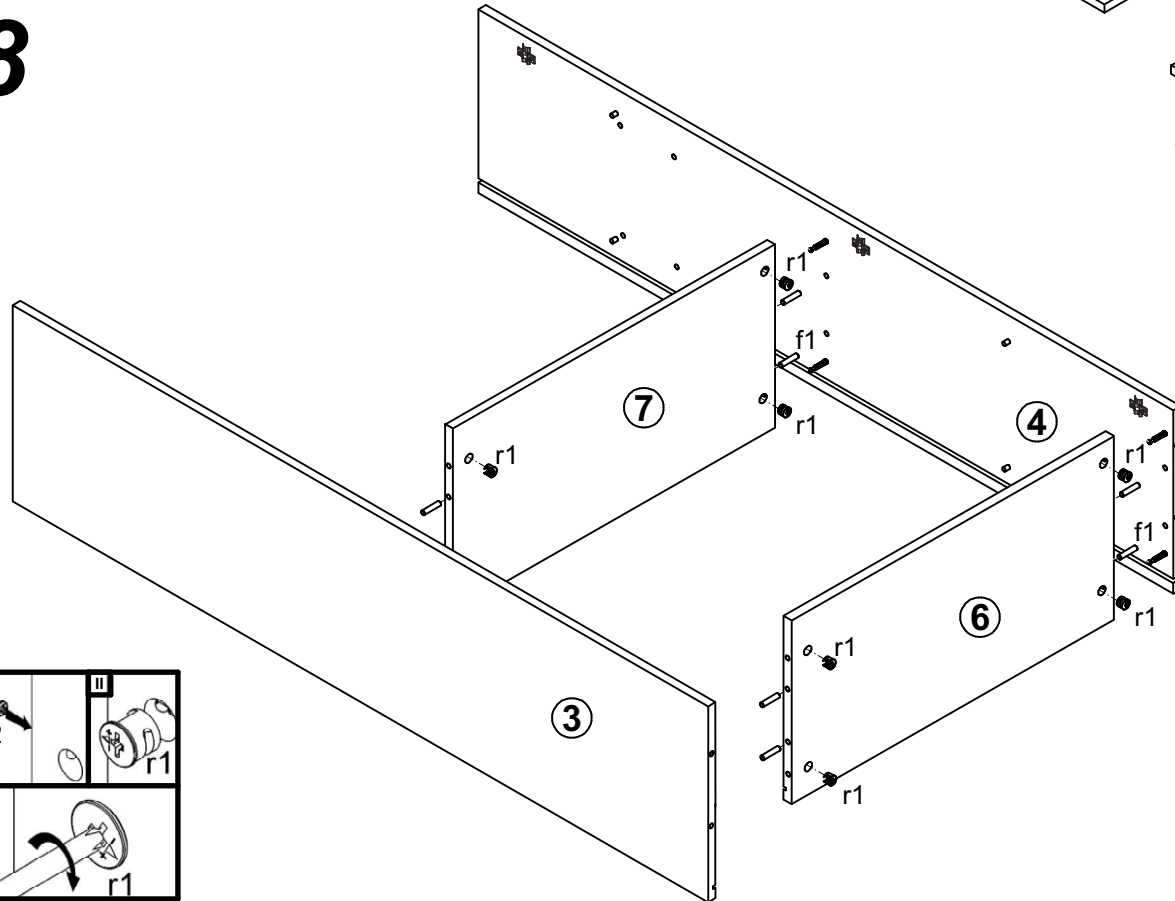
A	B	C (mm)		D
1	N64-007	1471	321	3/5
2	N64-012	1471	322	3/5
3	N64-101	1520	340	4/5
4	N64-102	1520	340	4/5
5	N64-205	650	340	5/5
6	N64-309	617	340	4/5
7	N64-310	617	320	5/5
8	N64-311	616	315	5/5
9	N64-514	650	60	5/5
10	N64-905	1514	313	3/5
11	Lh-1498	1498	14	3/5

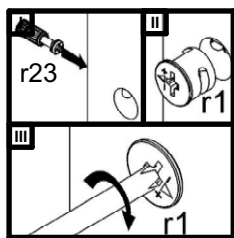
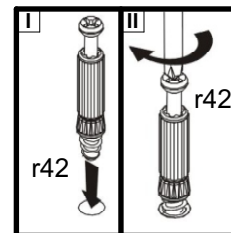
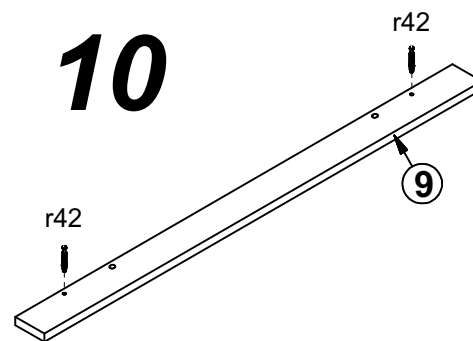
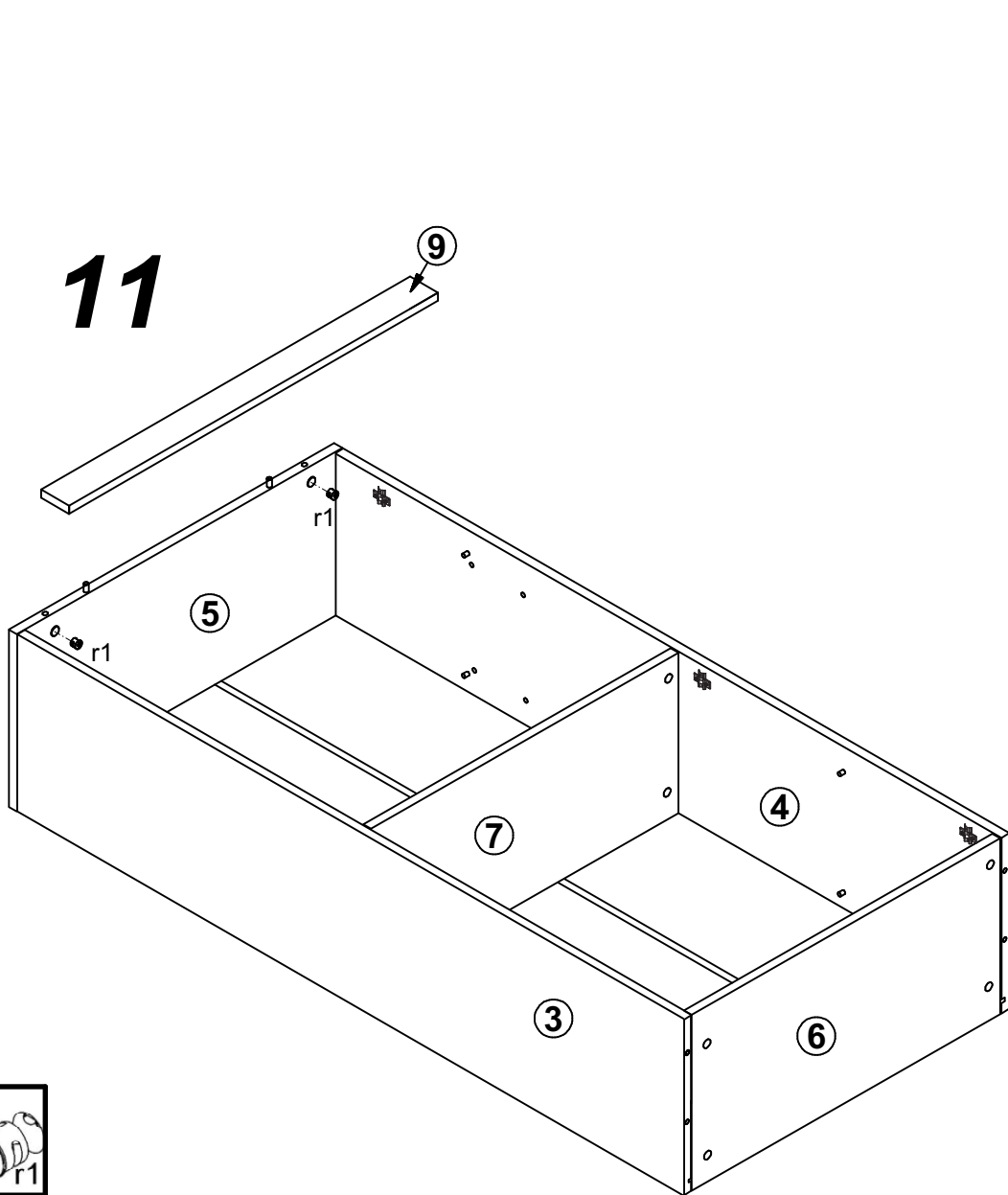


7

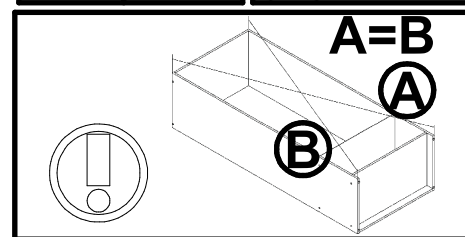
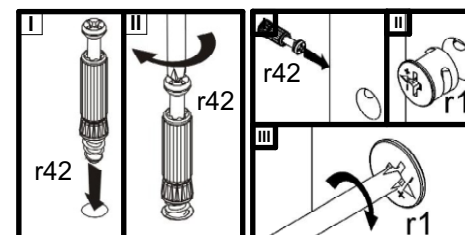
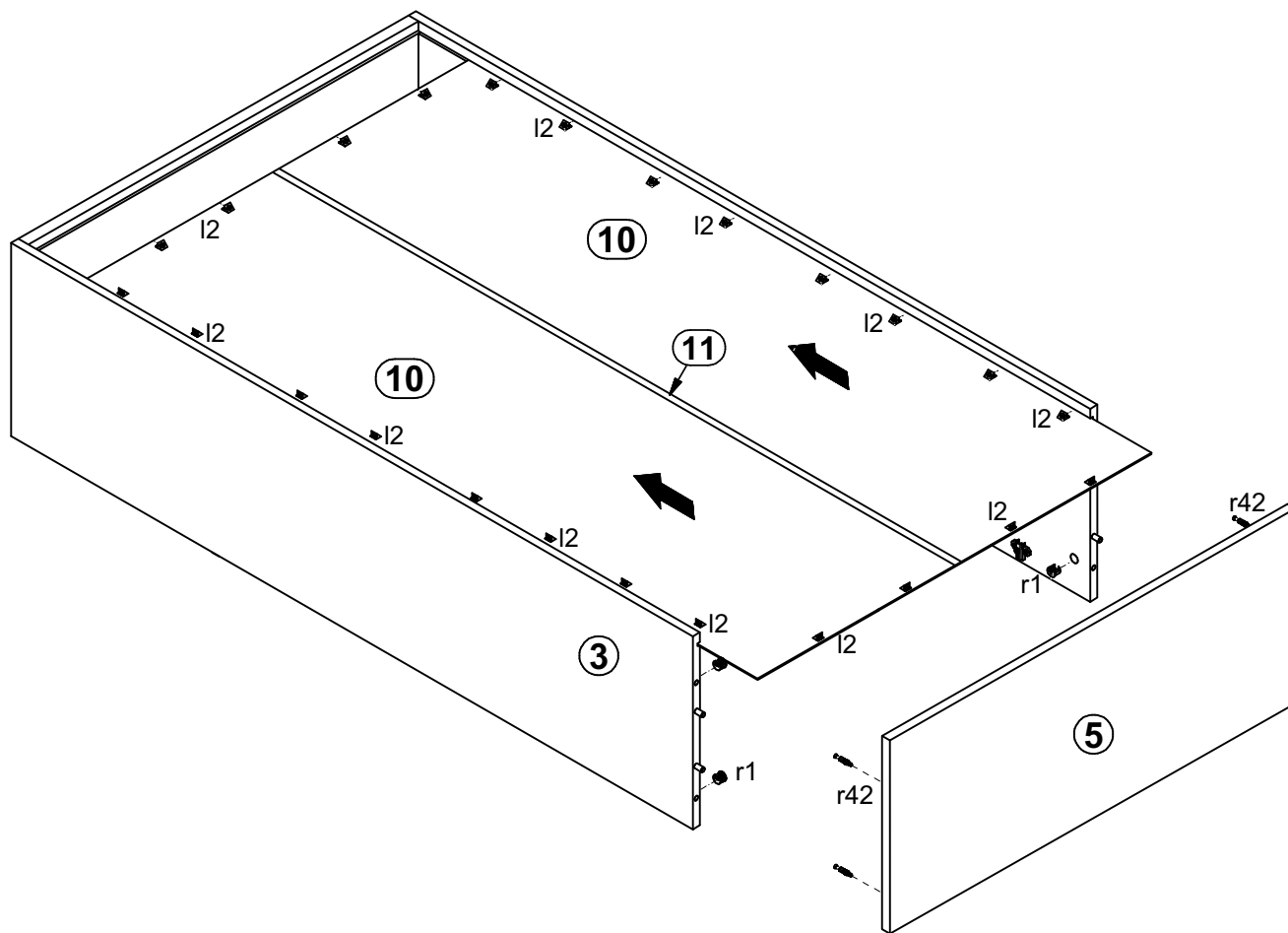


8

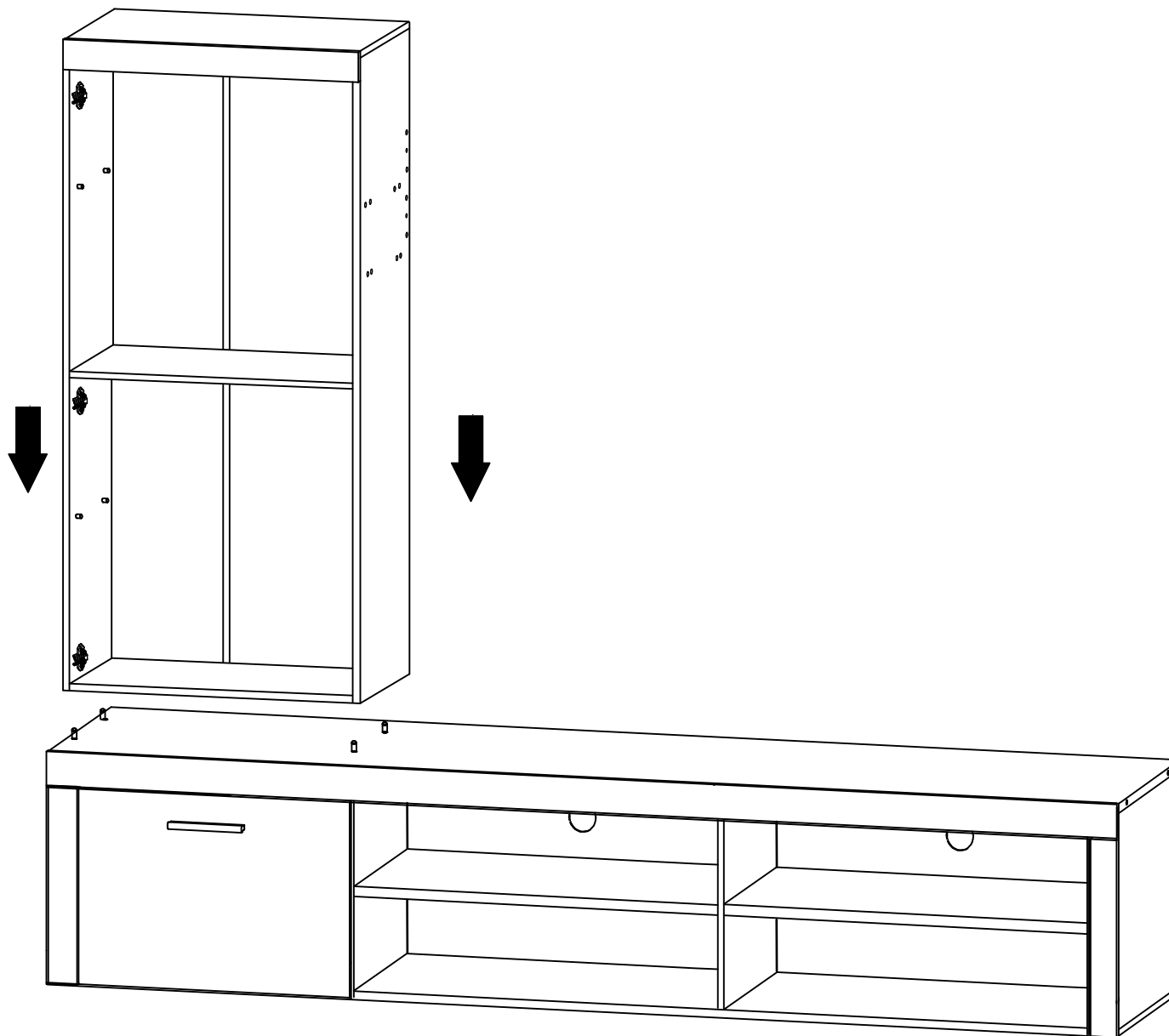


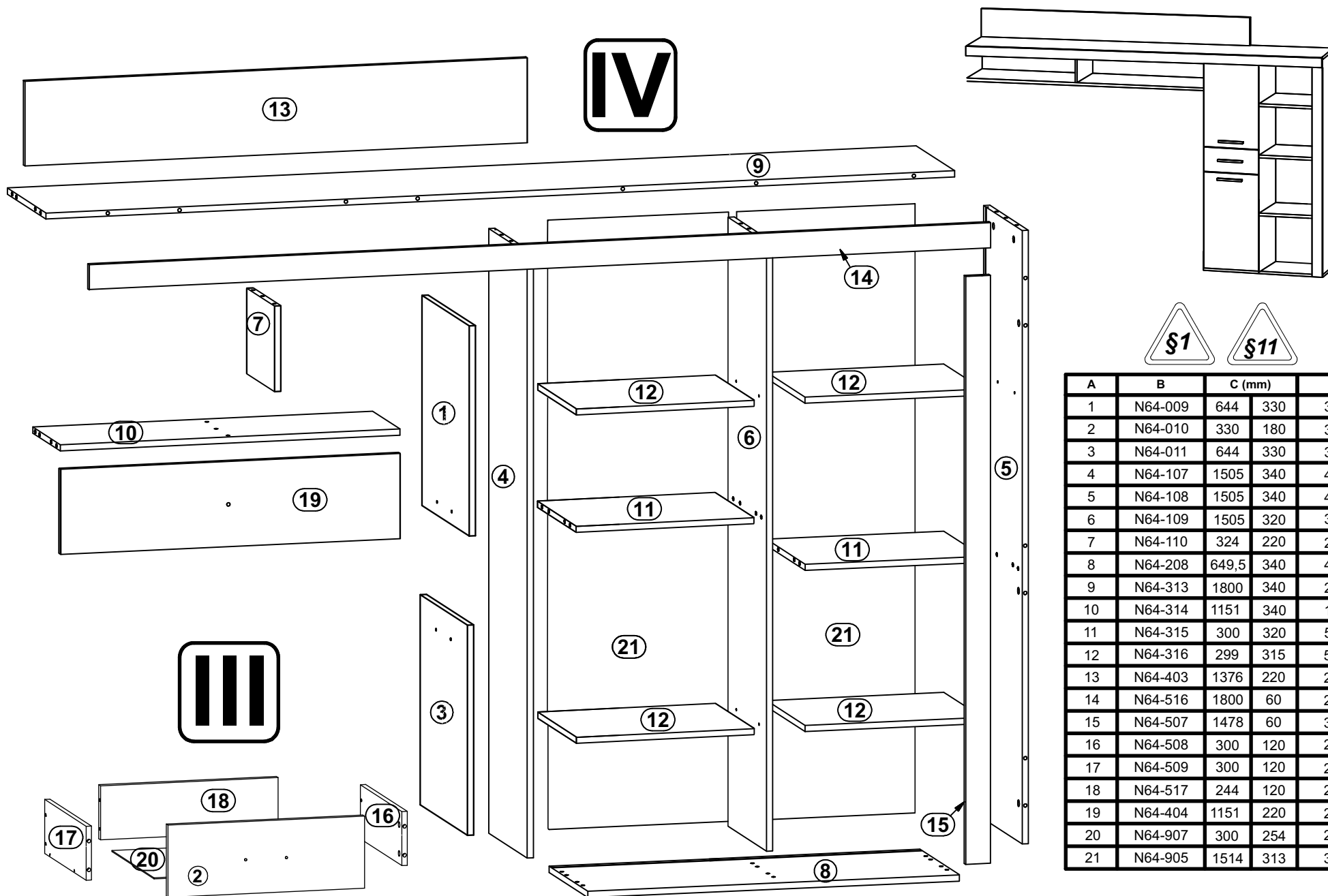


9



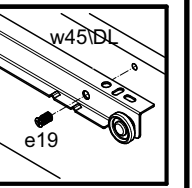
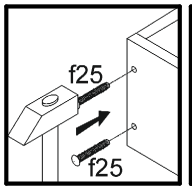
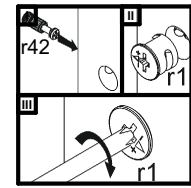
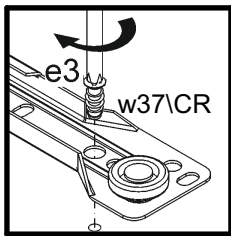
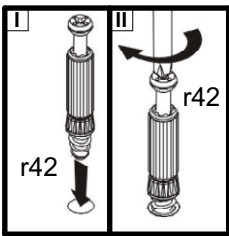
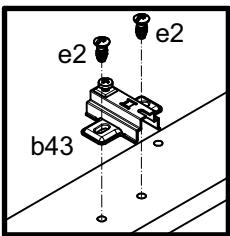
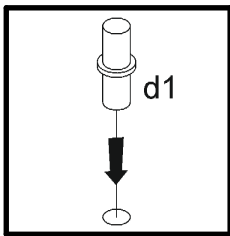
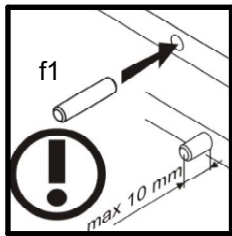
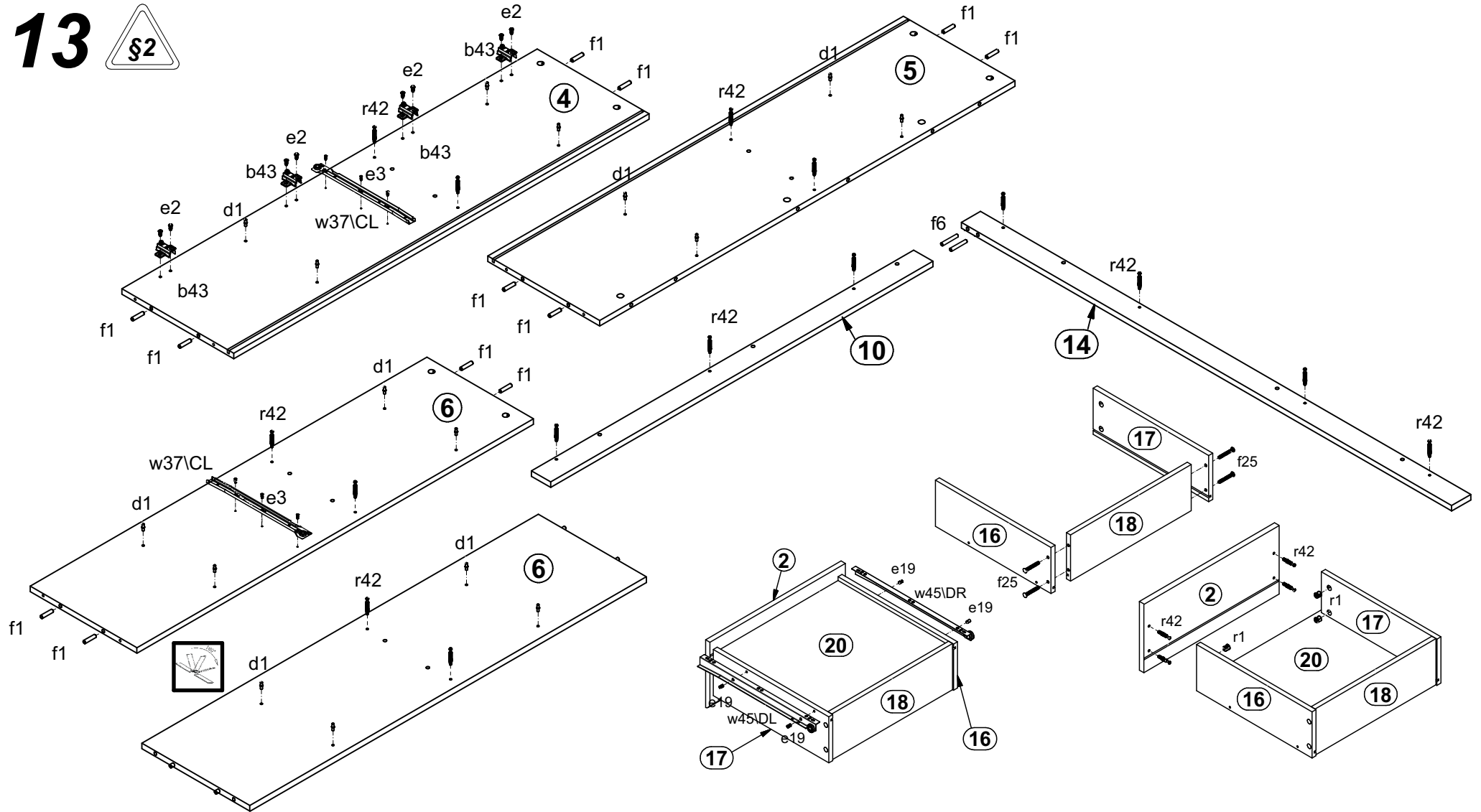
12



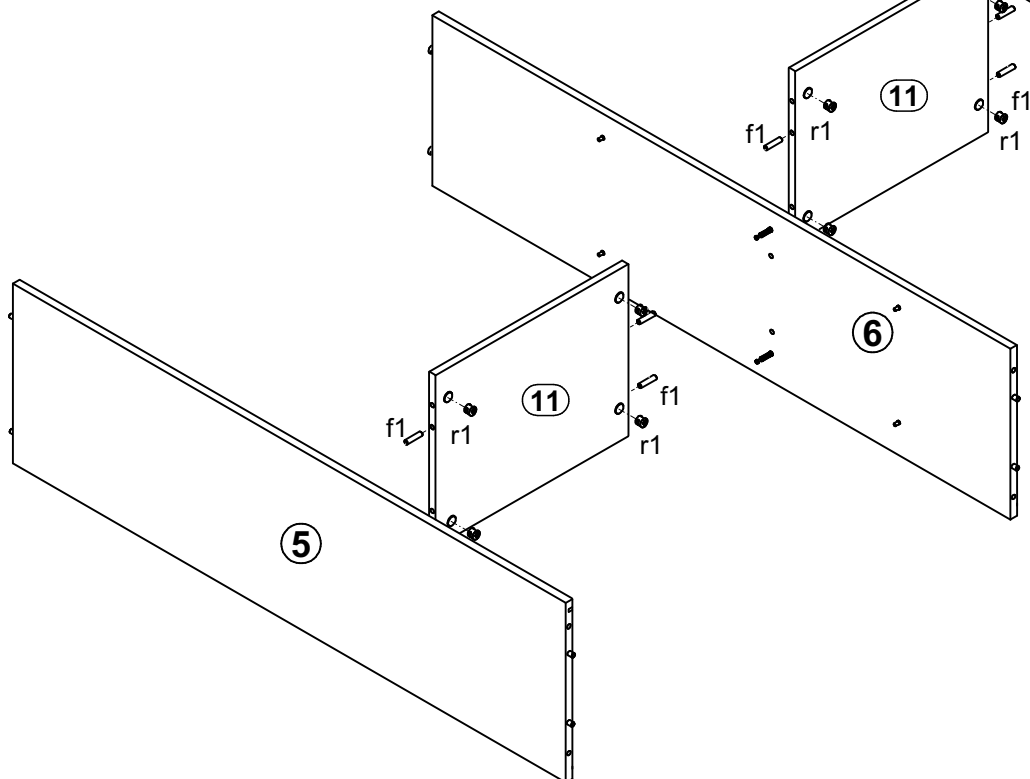
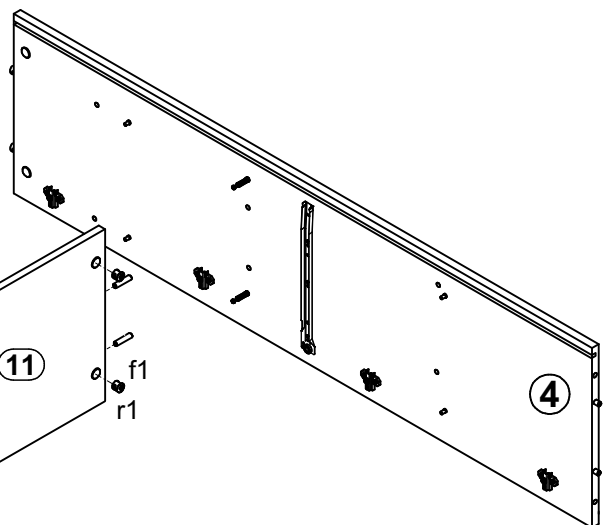
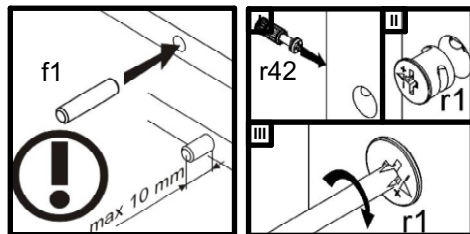


A	B	C (mm)		D
1	N64-009	644	330	3/5
2	N64-010	330	180	3/5
3	N64-011	644	330	3/5
4	N64-107	1505	340	4/5
5	N64-108	1505	340	4/5
6	N64-109	1505	320	3/5
7	N64-110	324	220	2/5
8	N64-208	649,5	340	4/5
9	N64-313	1800	340	2/5
10	N64-314	1151	340	1/5
11	N64-315	300	320	5/5
12	N64-316	299	315	5/5
13	N64-403	1376	220	2/5
14	N64-516	1800	60	2/5
15	N64-507	1478	60	3/5
16	N64-508	300	120	2/5
17	N64-509	300	120	2/5
18	N64-517	244	120	2/5
19	N64-404	1151	220	2/5
20	N64-907	300	254	2/5
21	N64-905	1514	313	3/5

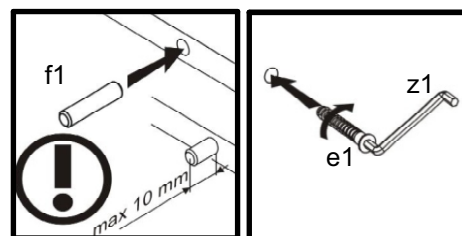
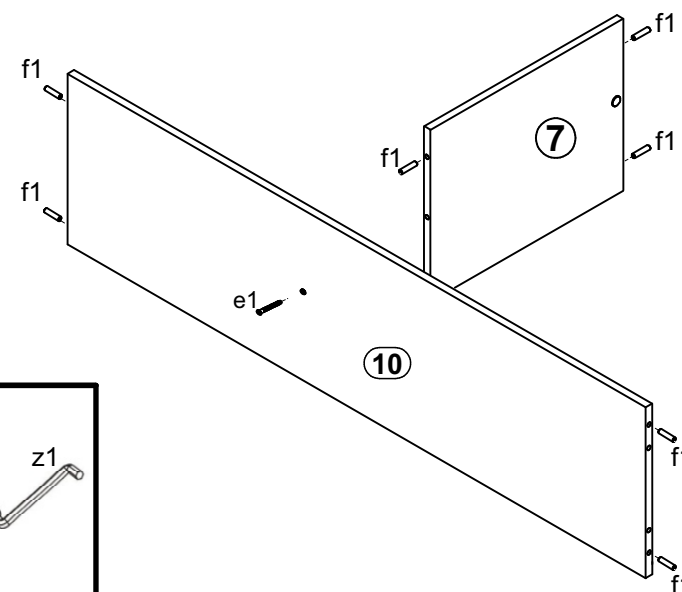
13 



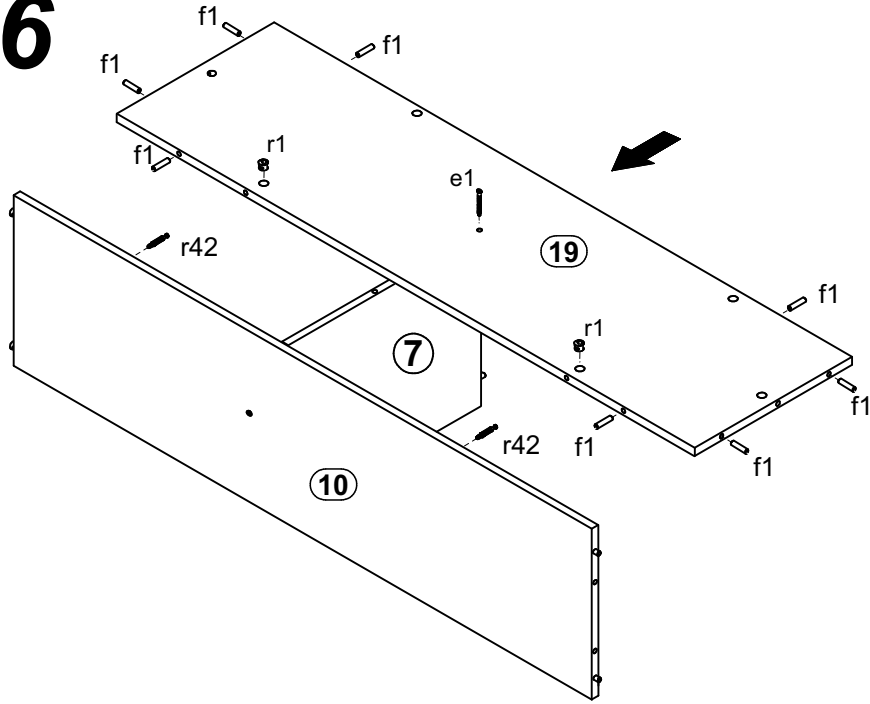
14



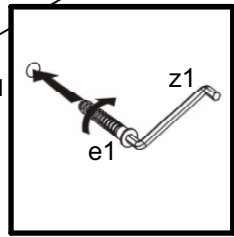
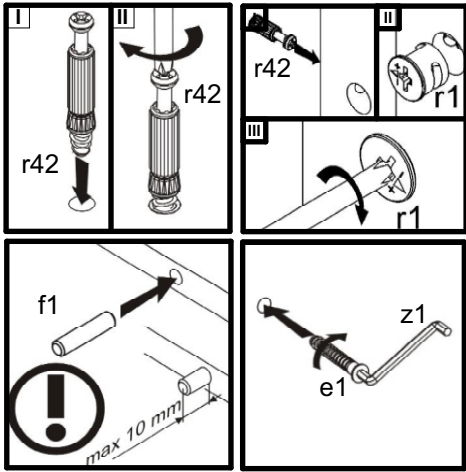
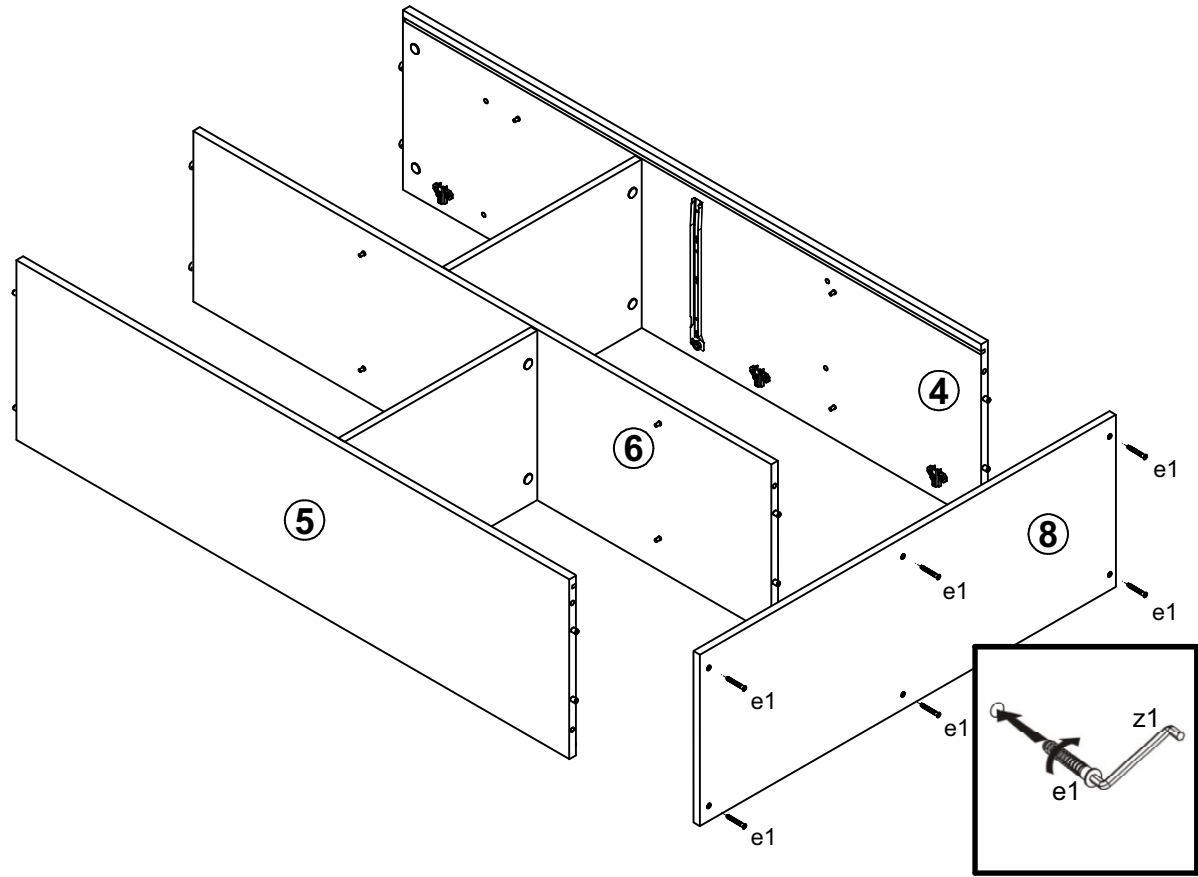
15



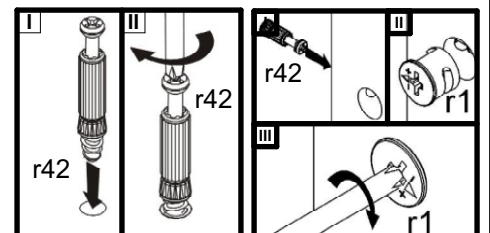
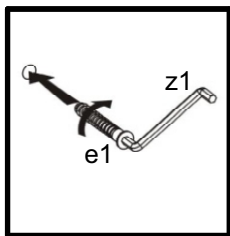
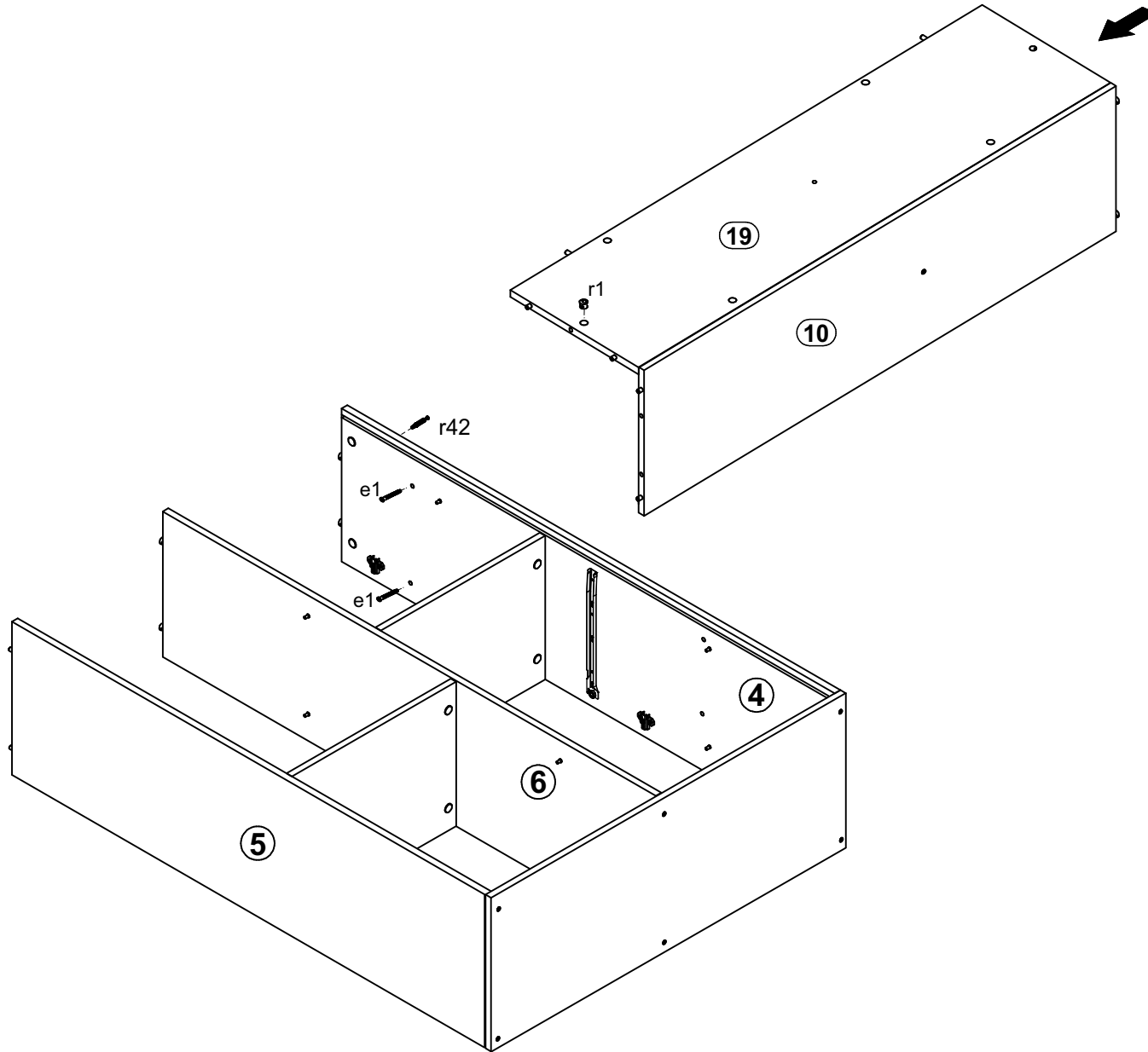
16



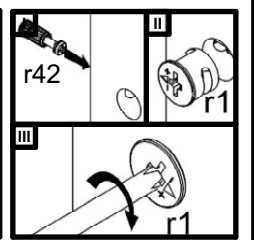
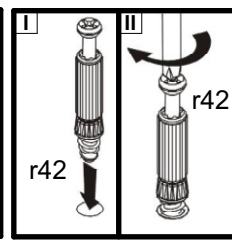
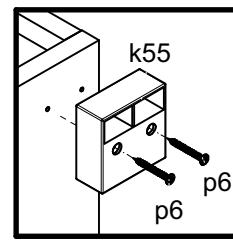
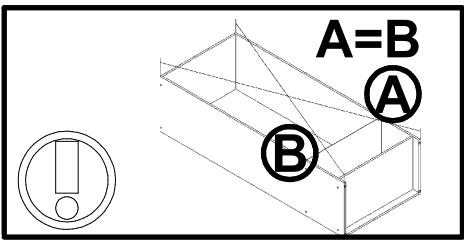
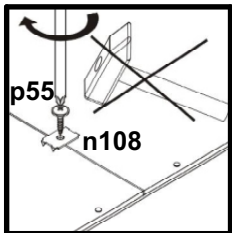
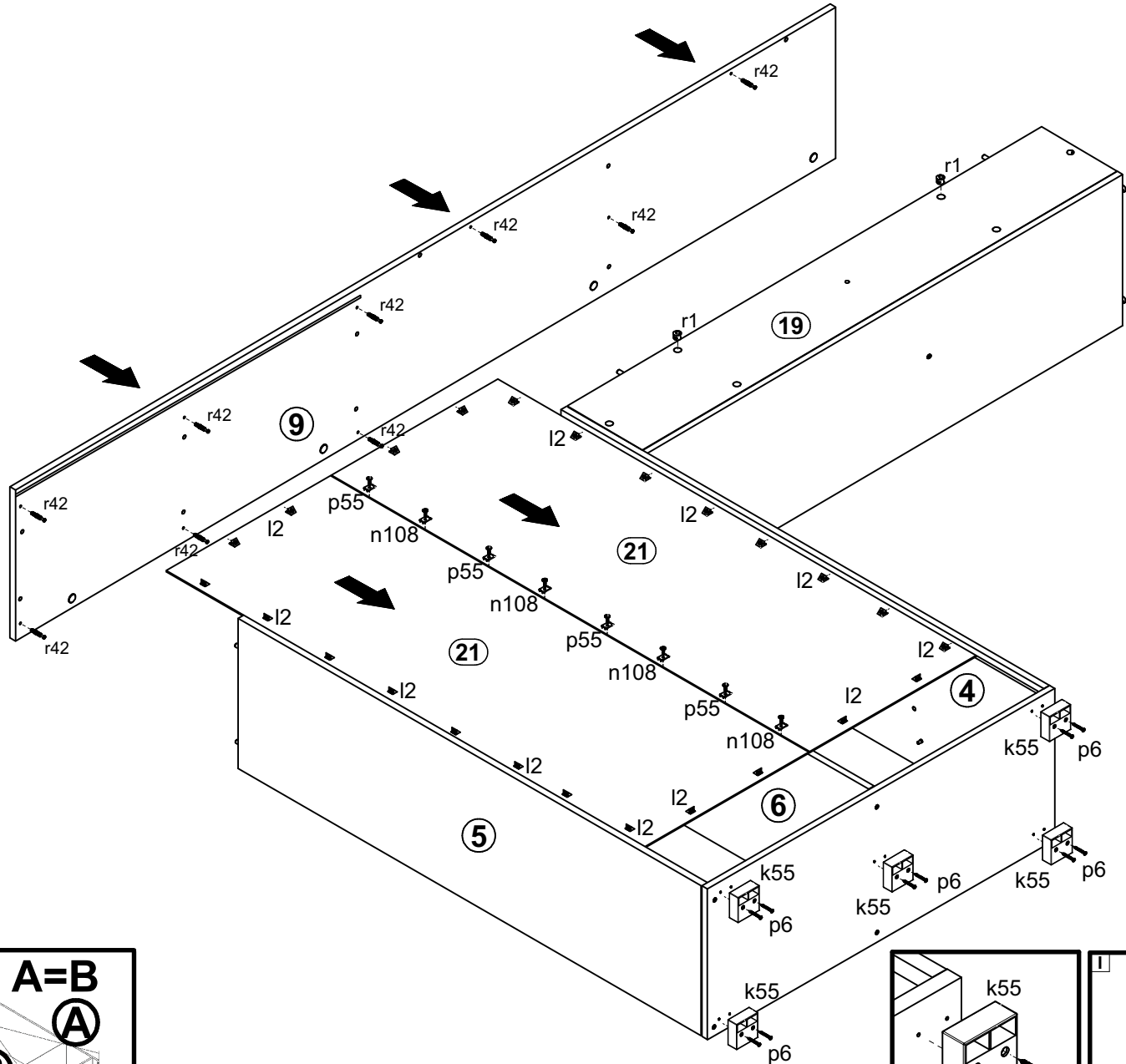
17



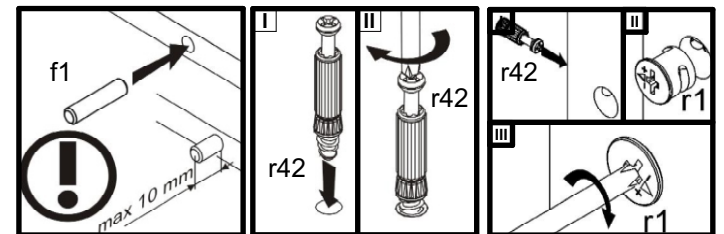
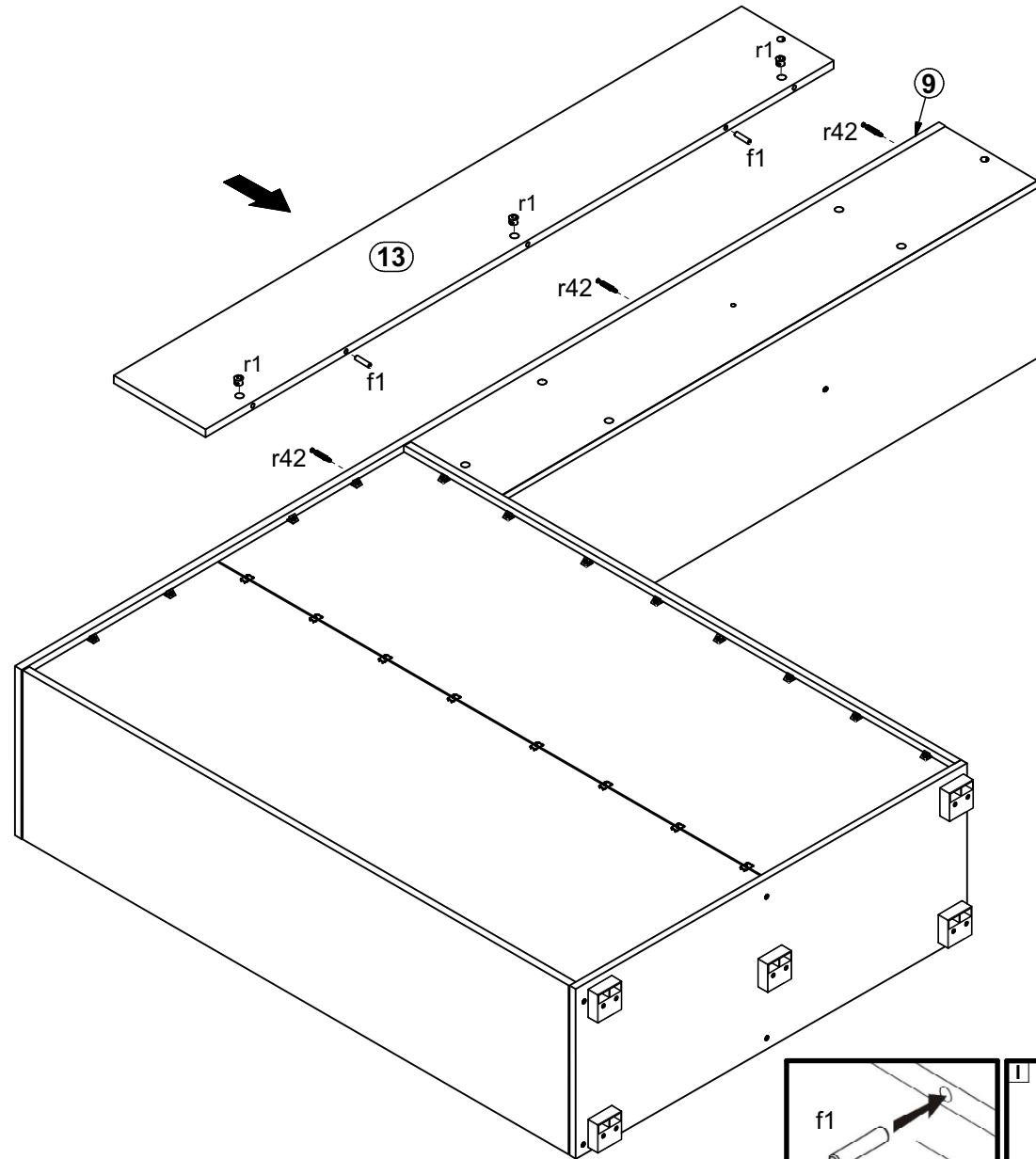
18



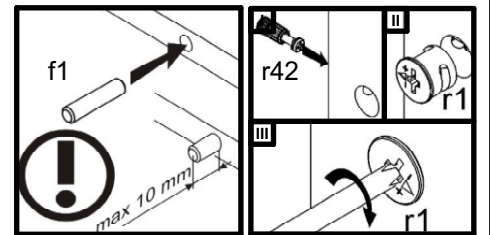
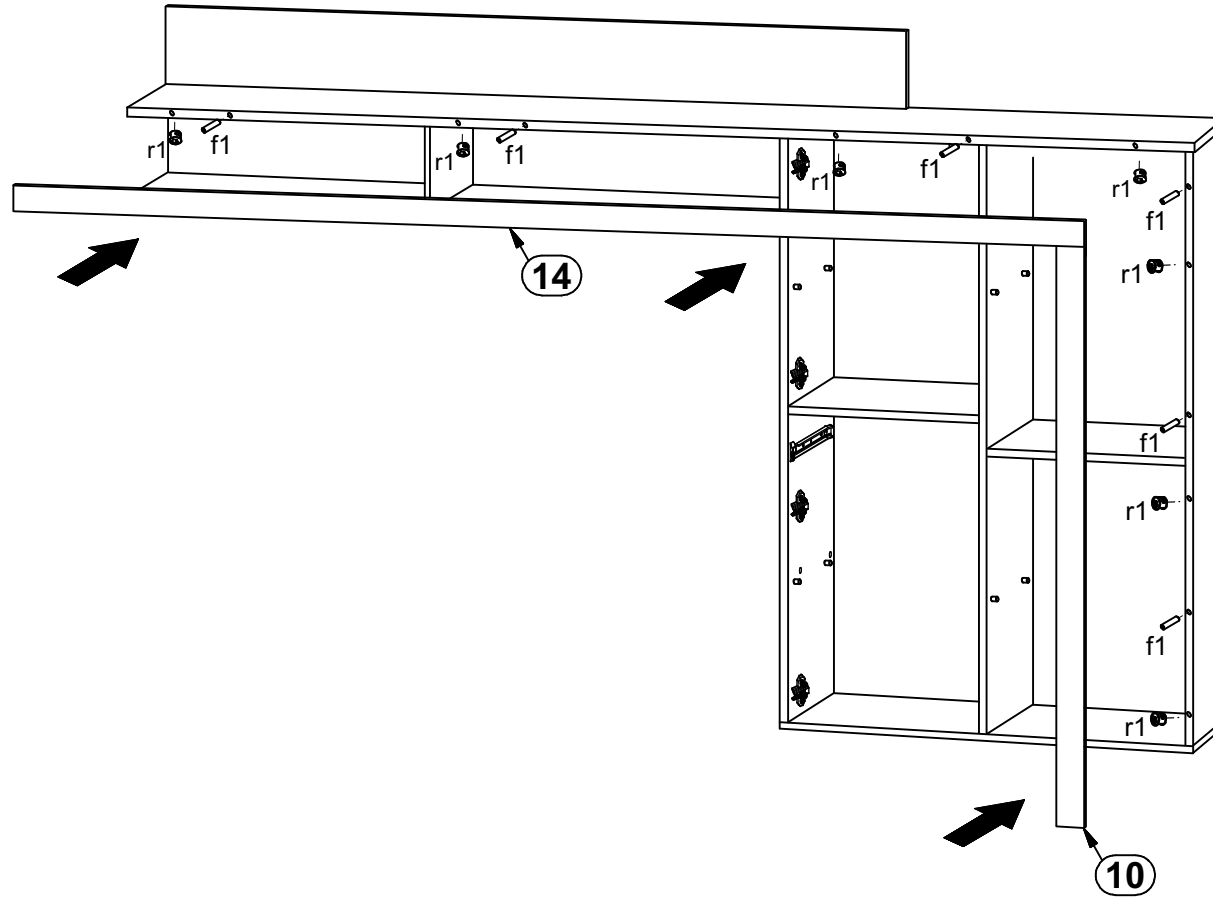
18



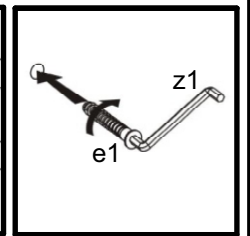
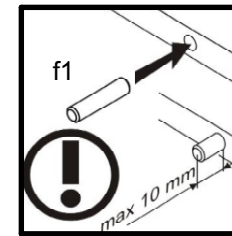
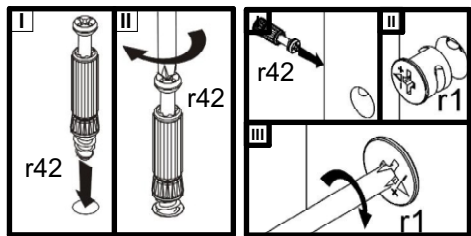
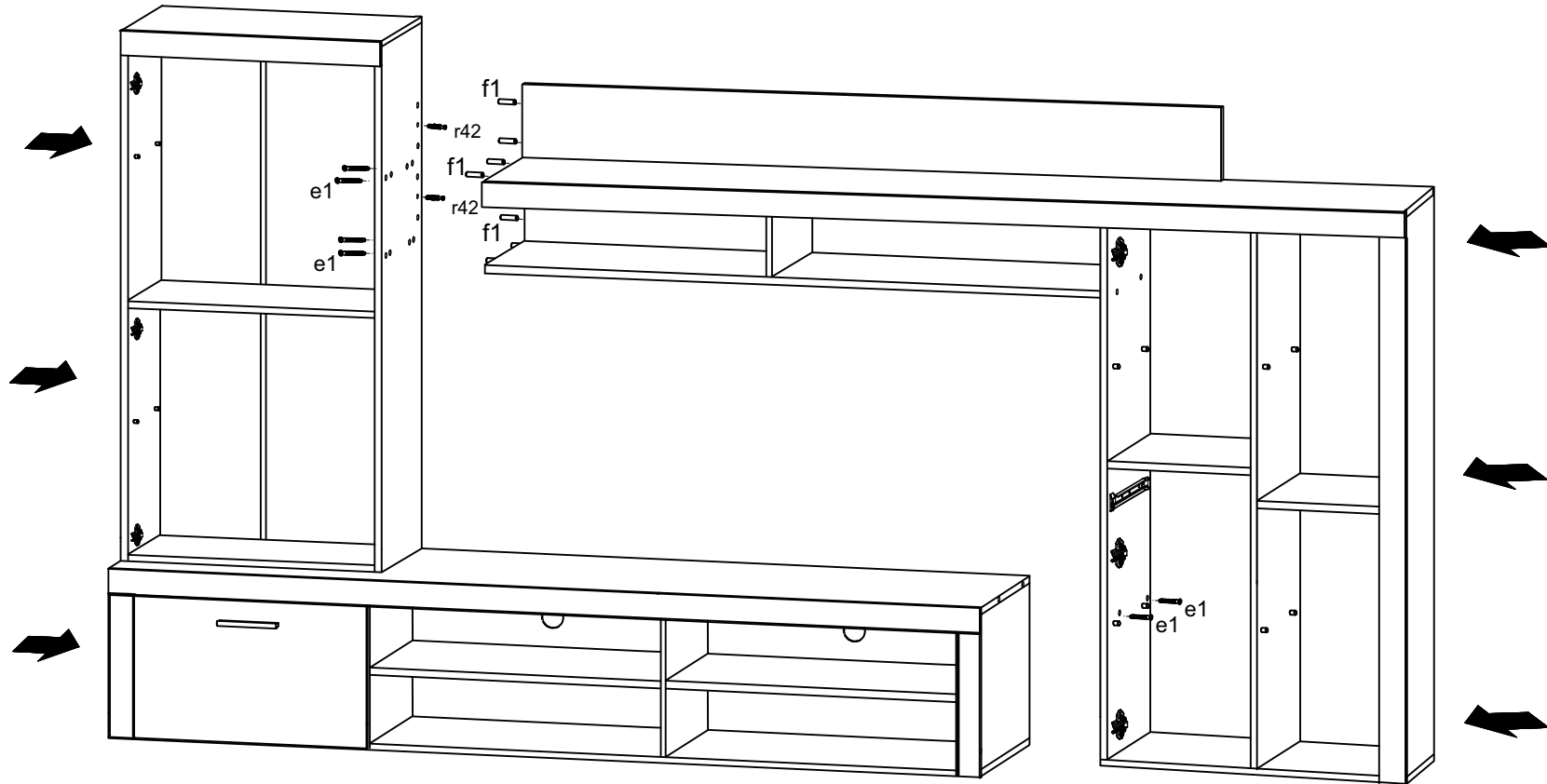
19



20



21



22

