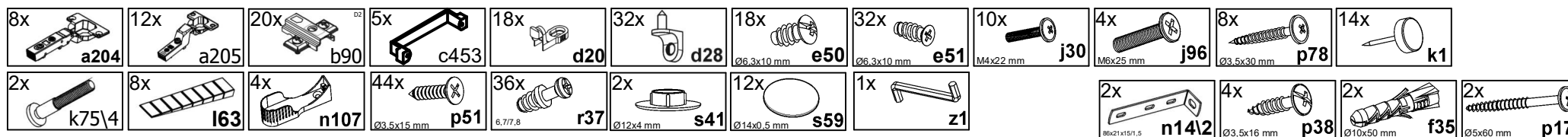
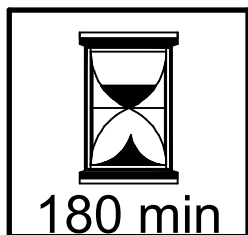
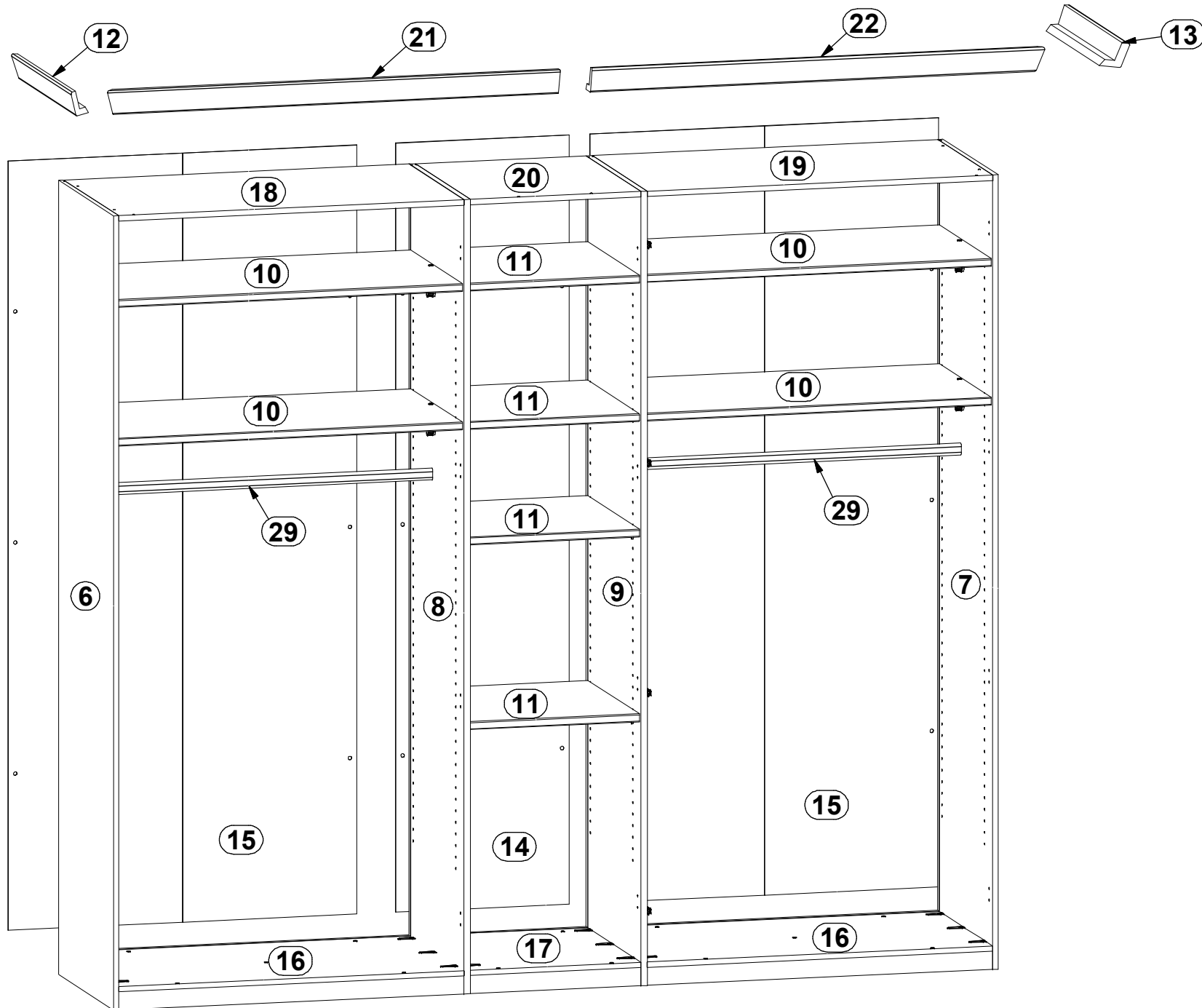
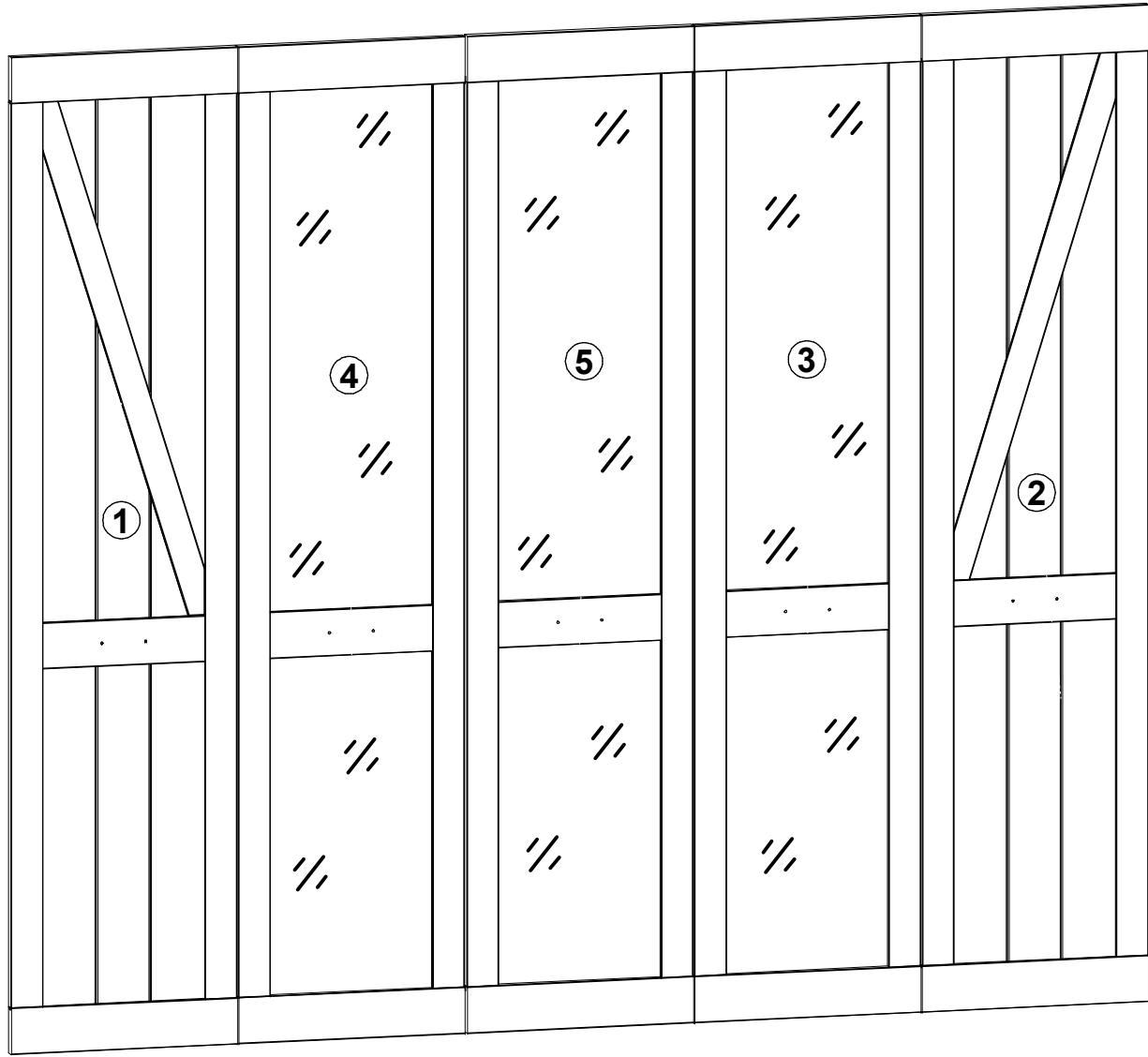


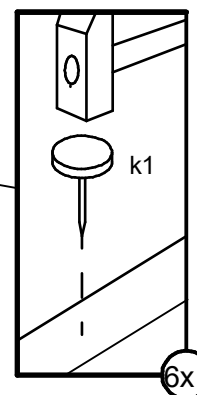
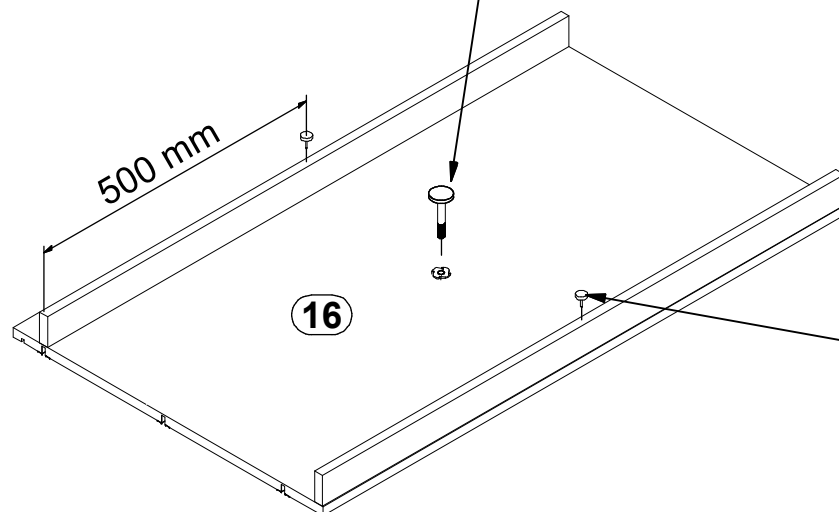
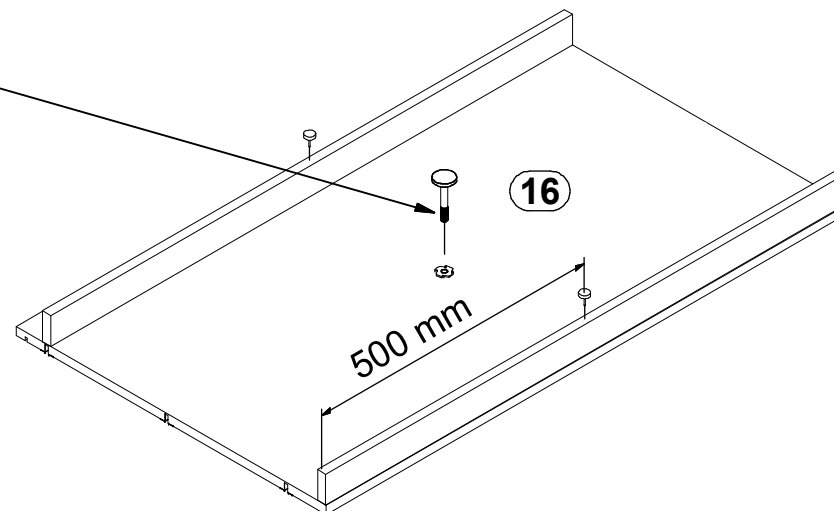
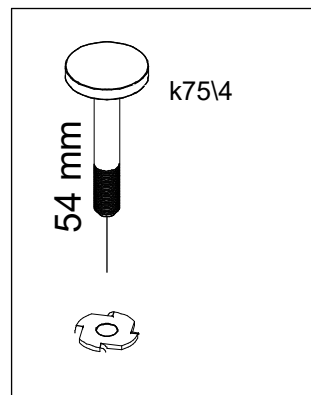
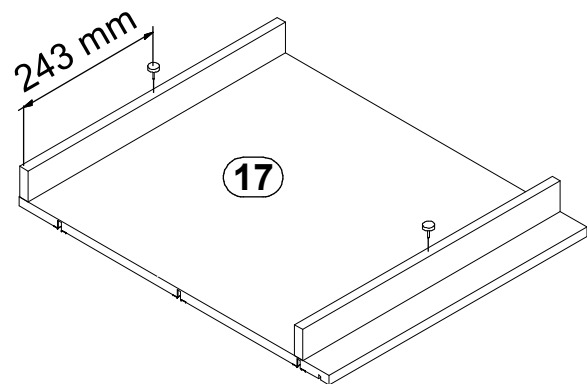
A	B	C1	C2	C3	D
1	L116-0004	2145	496	22	8/8
2	L116-0005	2145	496	22	6/8
3	L116-0006	2145	496	22	6/8
4	L116-0007	2145	496	22	7/8
5	L116-0008	2145	496	22	7/8
6	L116-1006	2200	580	15	4/8
7	L116-1007	2200	580	15	4/8
8	L116-1008	2200	580	18	5/8
9	L116-1009	2200	580	18	5/8
10	L116-3010	976	545	22	2/8
11	L116-3011	482	545	22	3/8
12	L116-5001	627	95	38	3/8
13	L116-5002	627	95	38	3/8
14	L116-9003	2130	490	2,5	7/8
15	L116-9301	2130	985	2,5	6/8,7/8
16	L116-Z001_3005_4003	976	580	66	1/8
17	L116-Z002_3006_4004	482	580	66	1/8
18	L116-Z003_3007	976	580	16	3/8
19	L116-Z004_3008	976	580	16	1/8
20	L116-Z005_3009	482	580	16	3/8
21	L98-5009	1278	95	38	3/8
22	L98-5010	1278	95	38	3/8



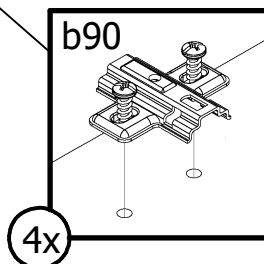
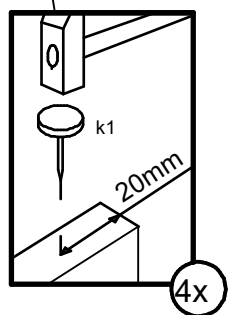
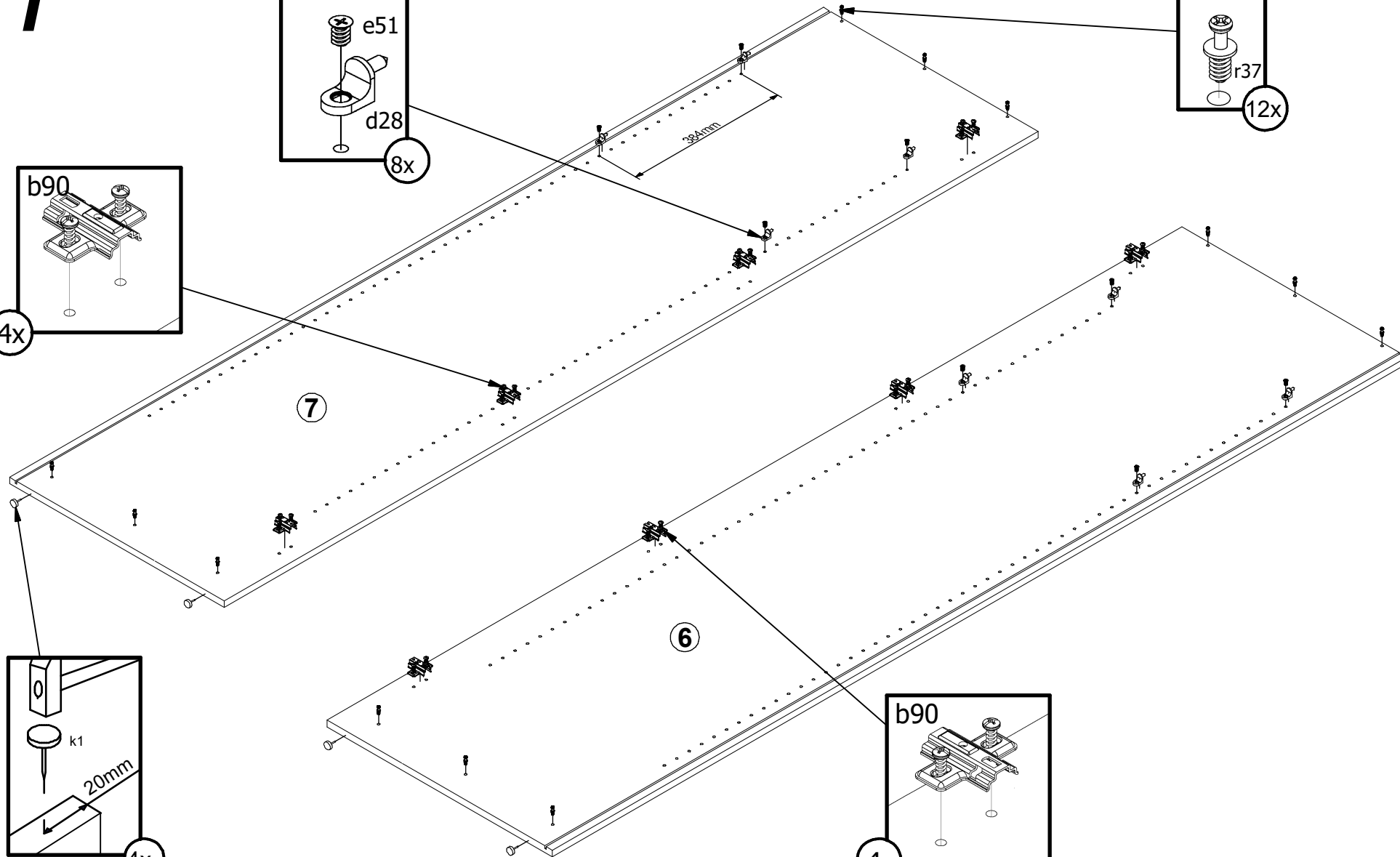
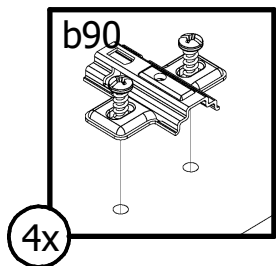
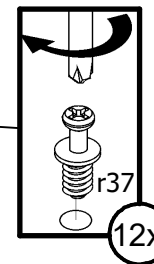
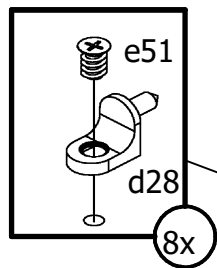




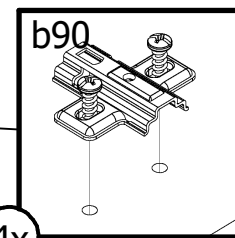
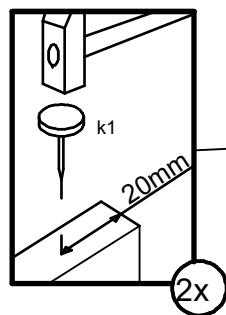
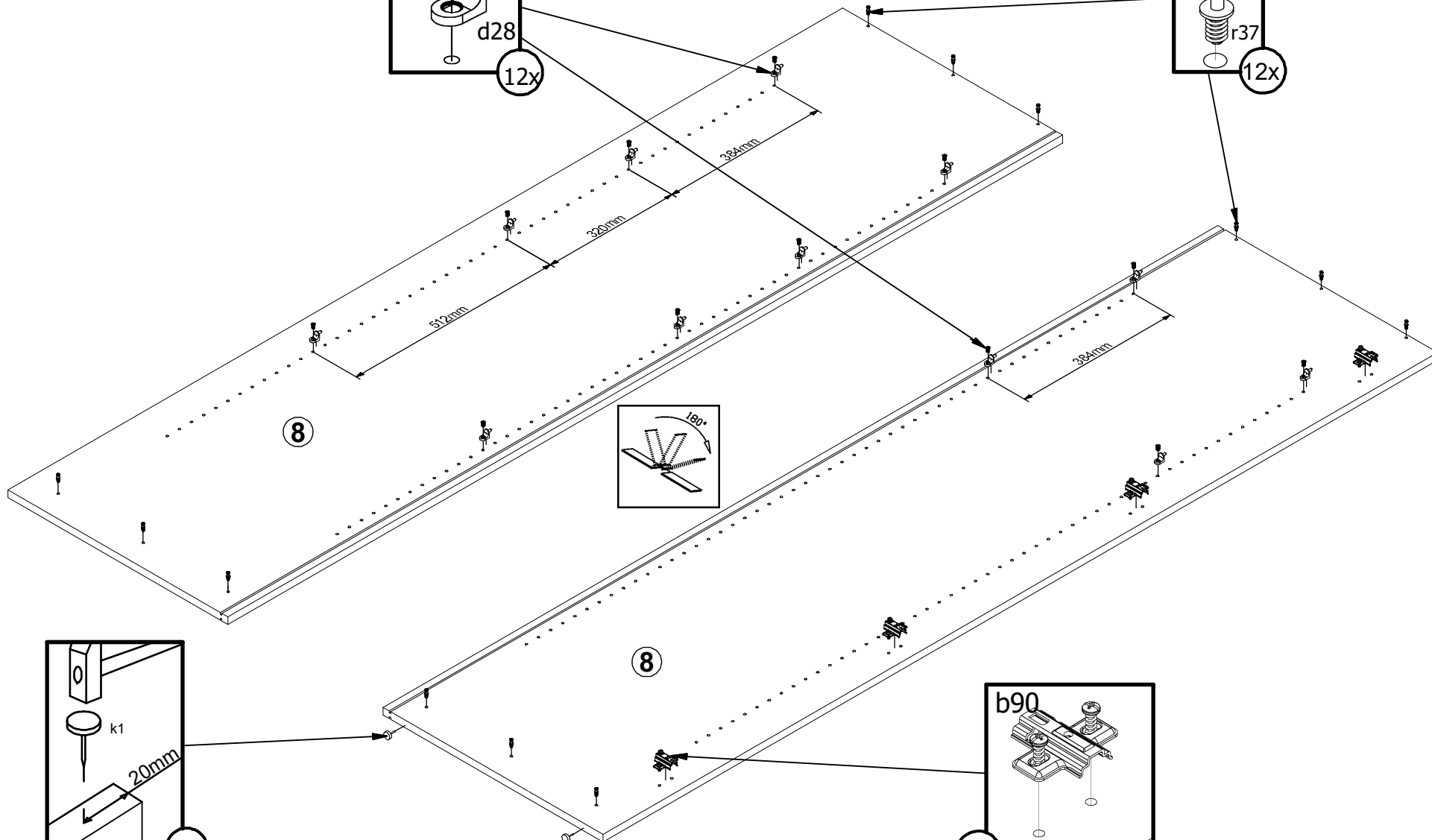
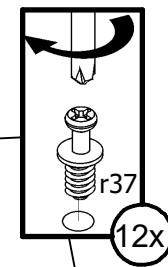
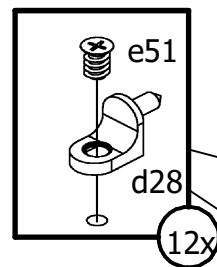
1 

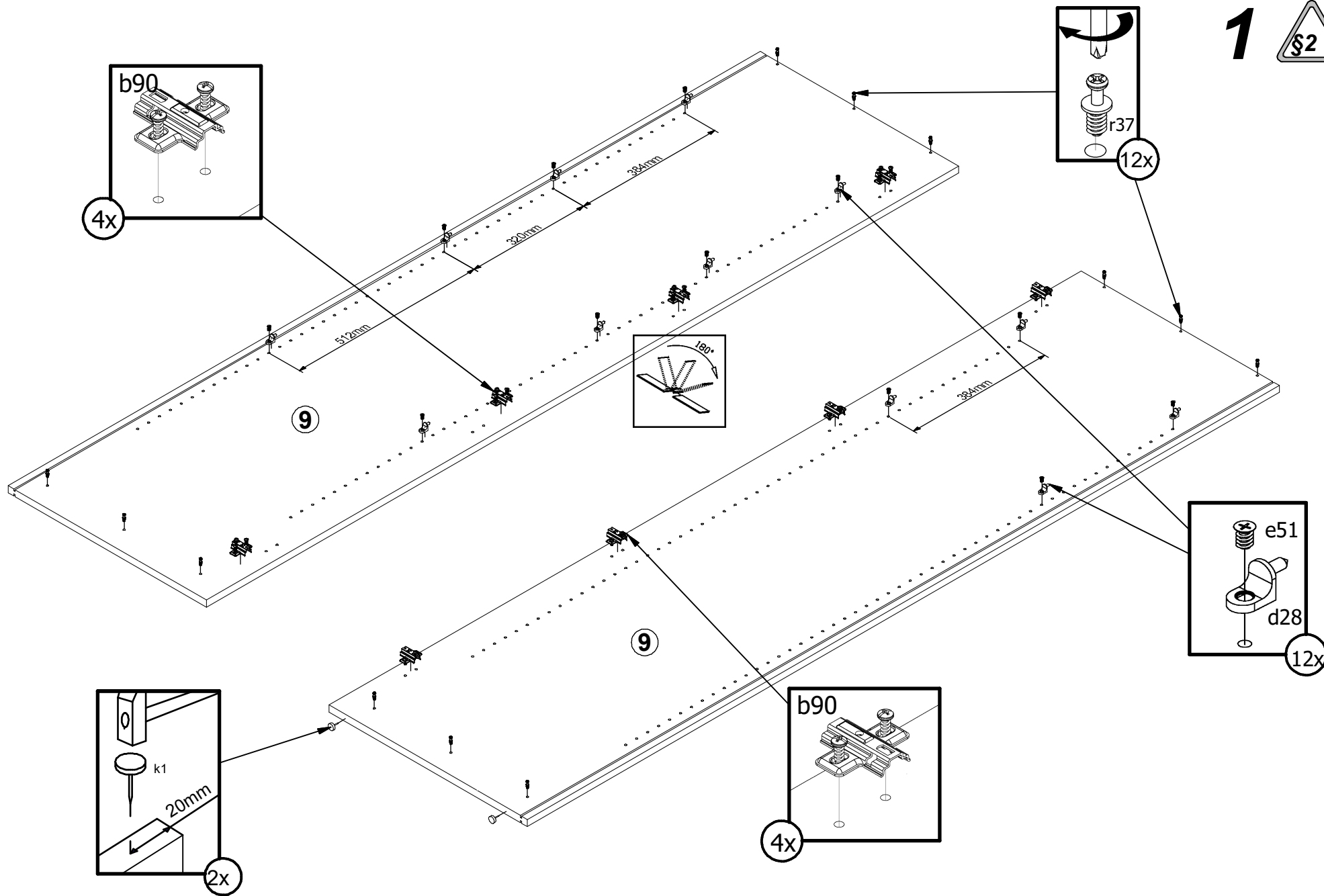


1



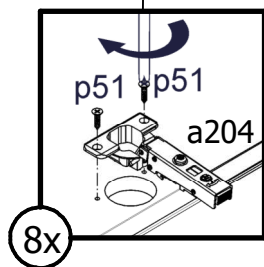
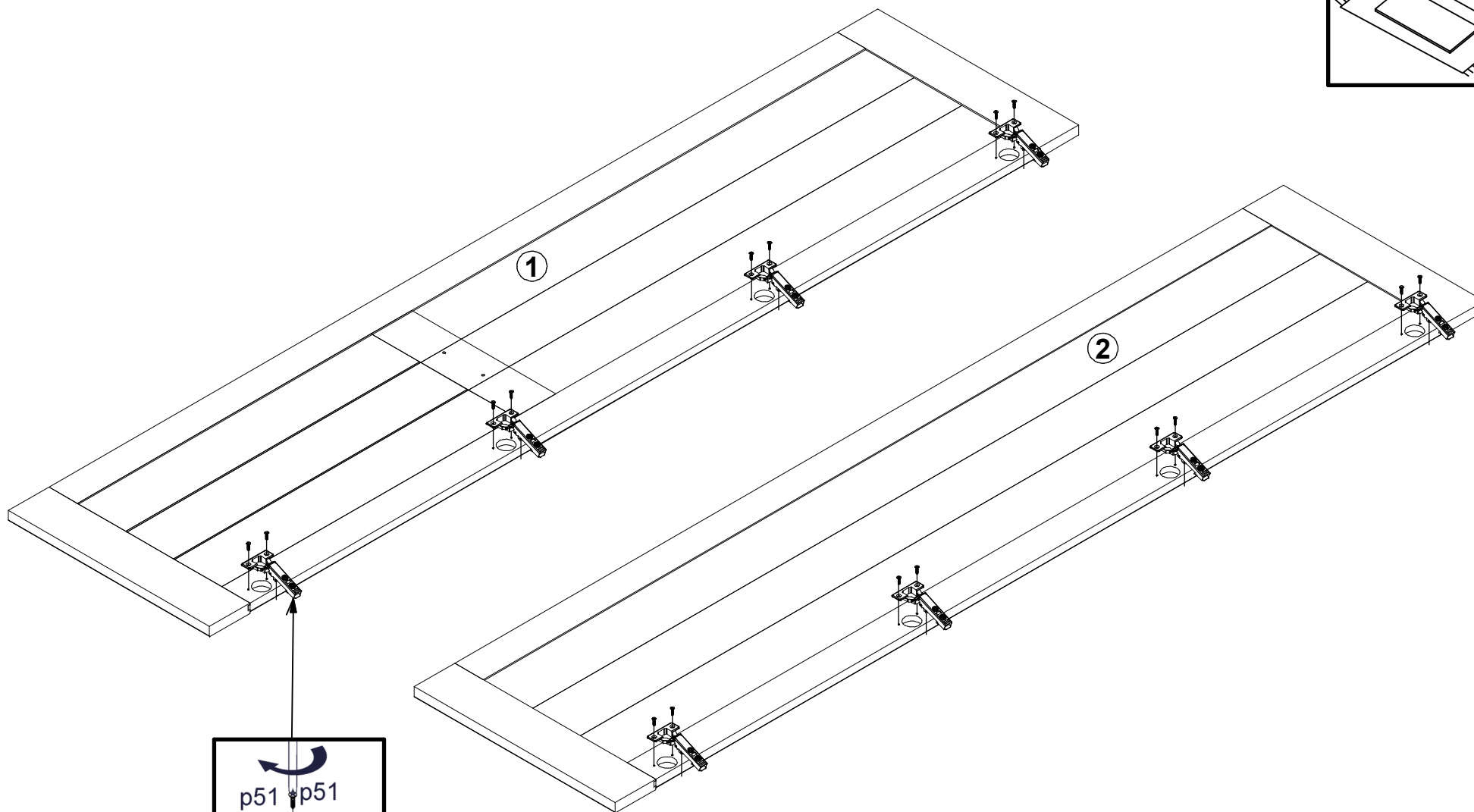
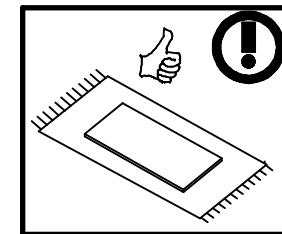
1

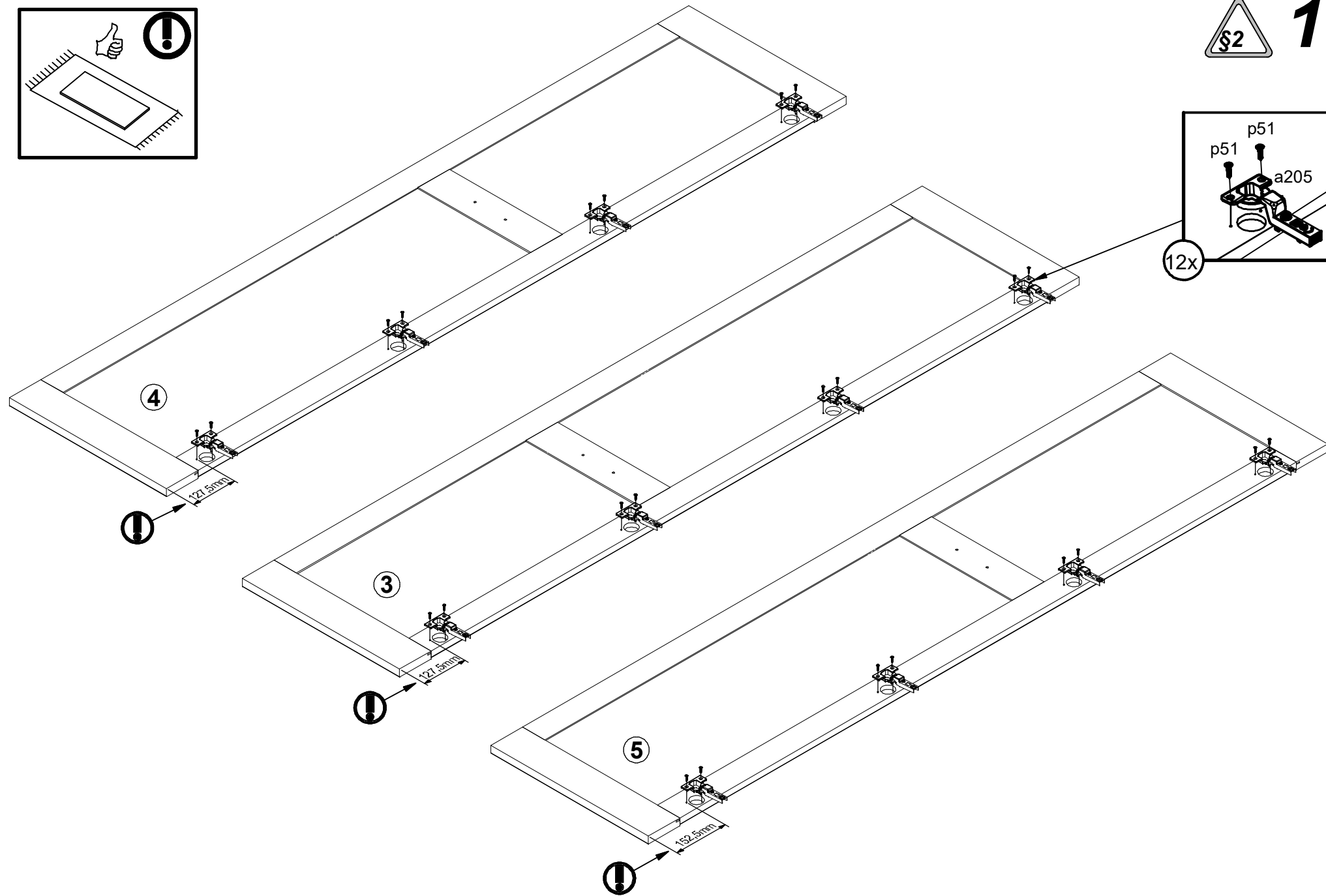
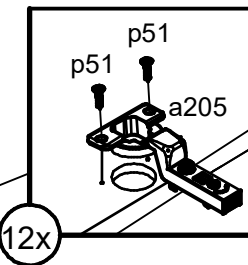
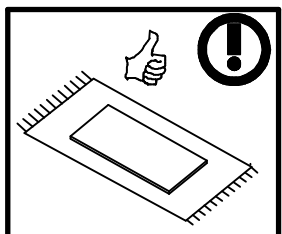




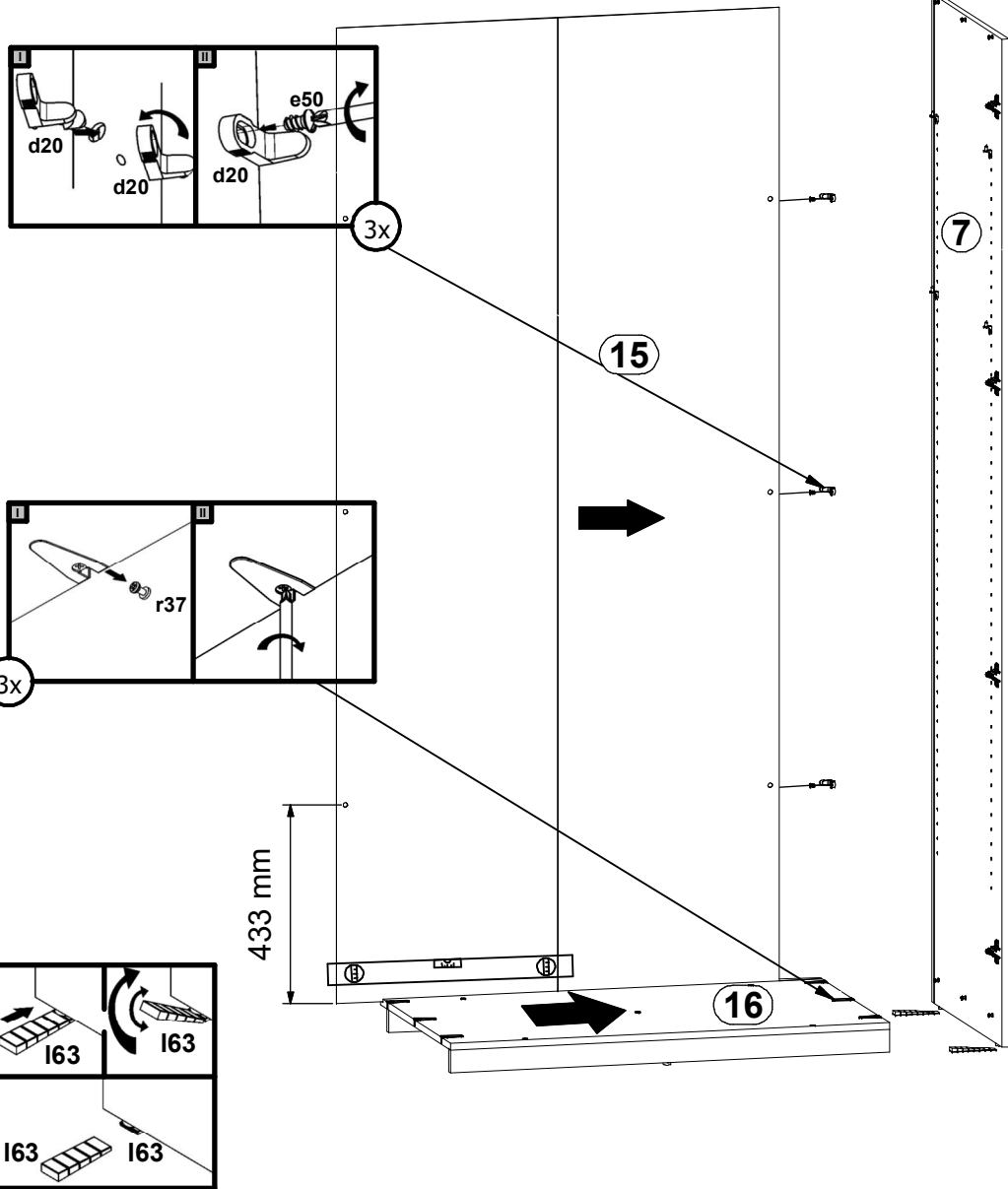


1 

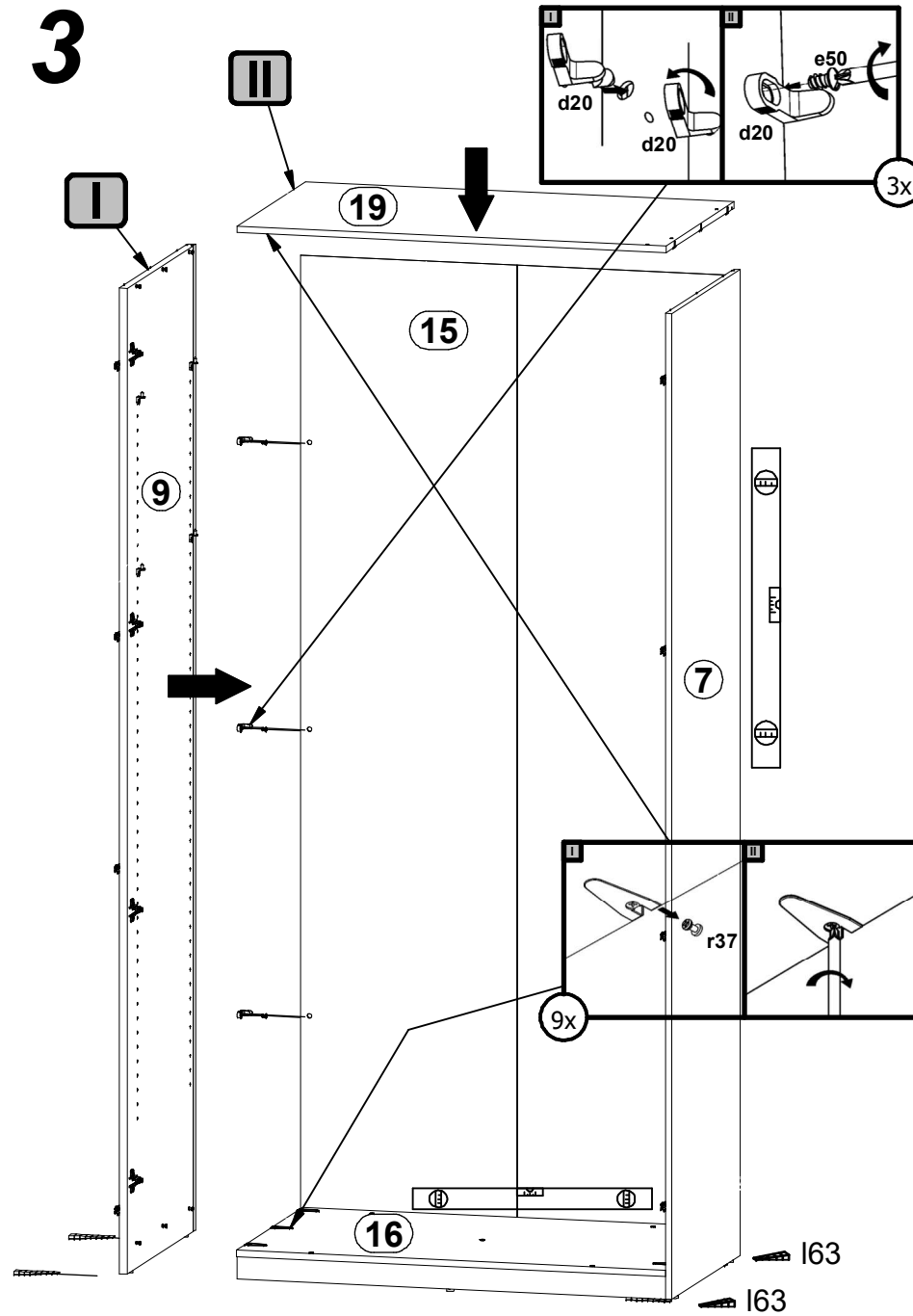




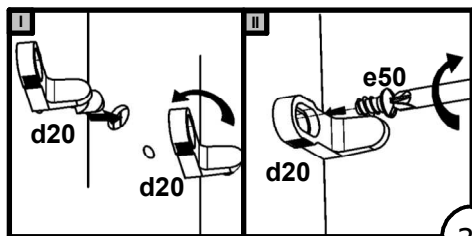
2 



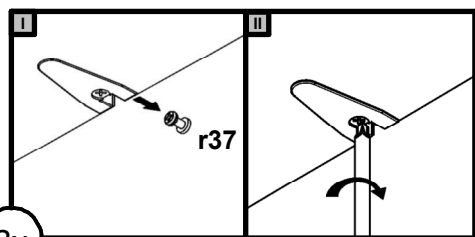
3



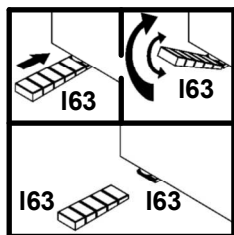
4



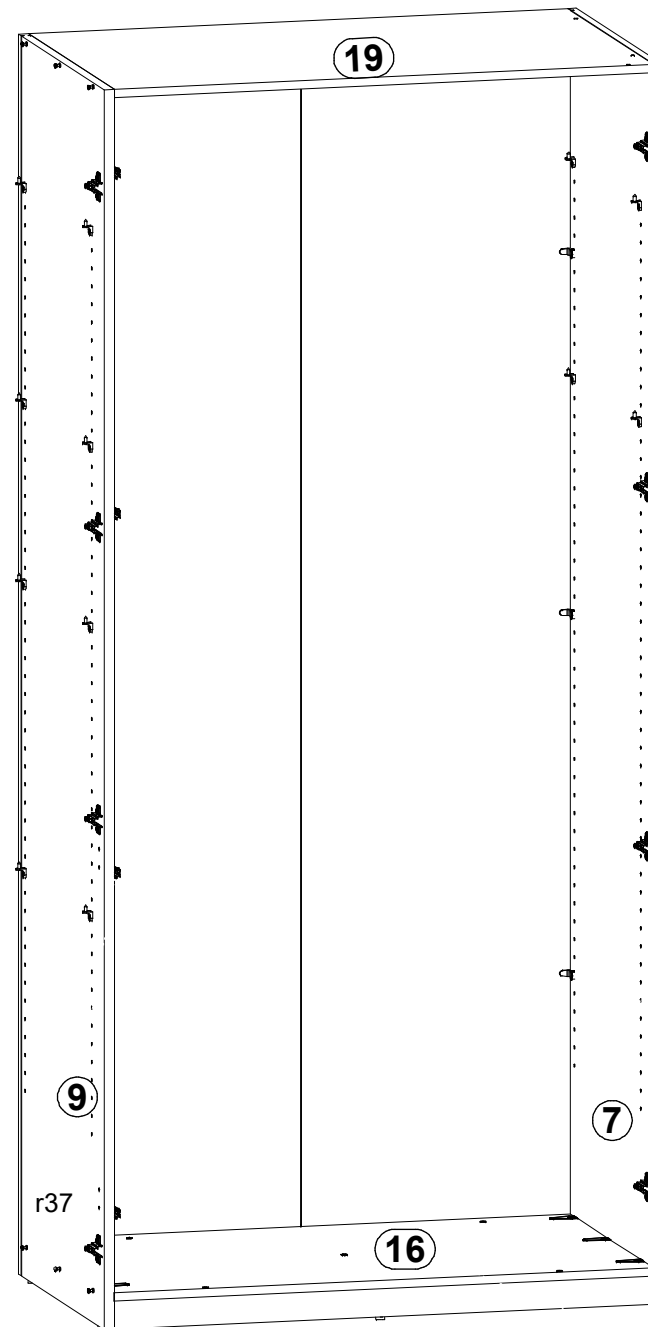
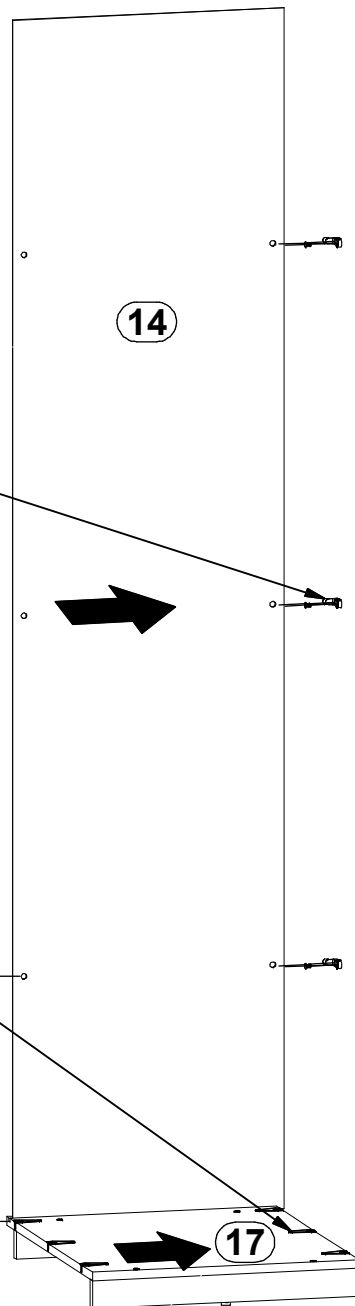
3x



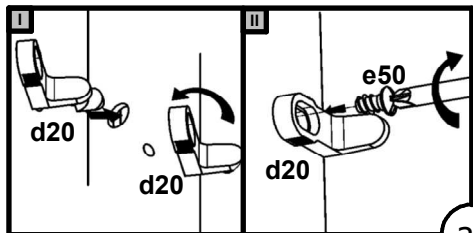
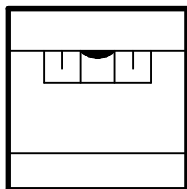
3x



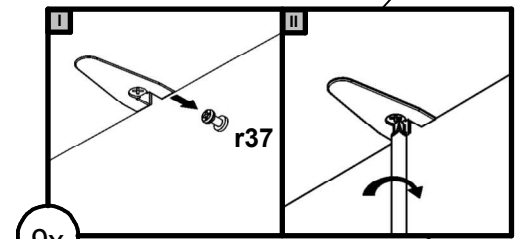
433 mm



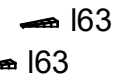
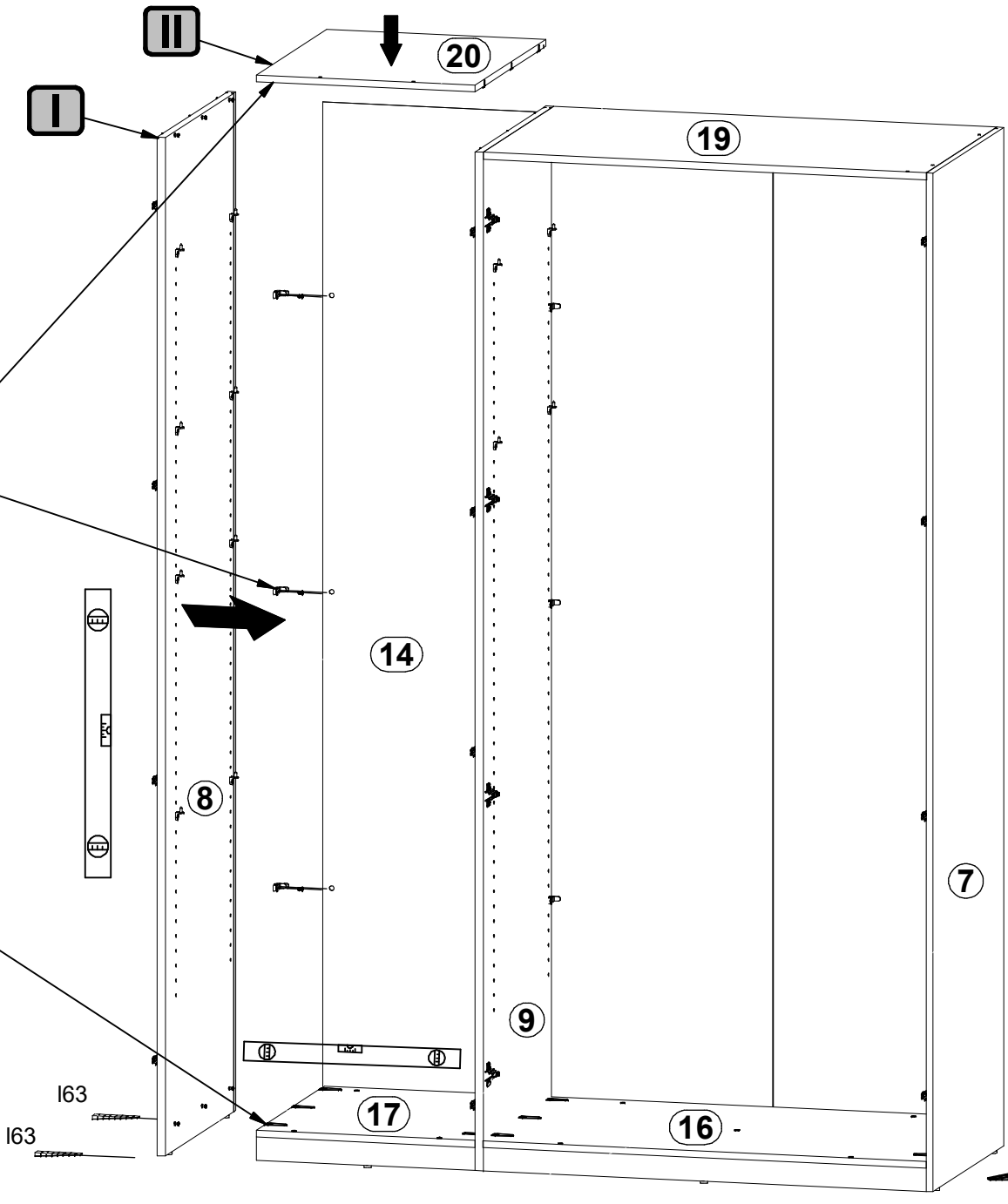
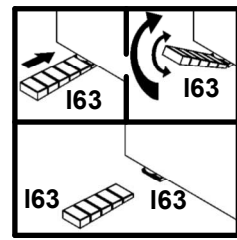
5



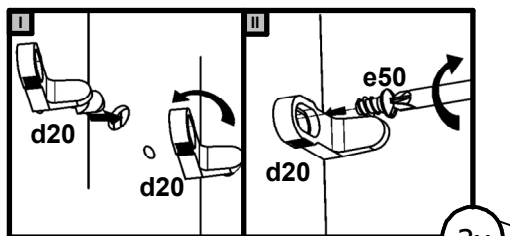
3x



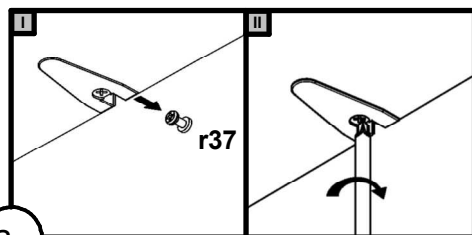
9x



6



3x

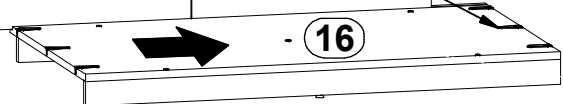
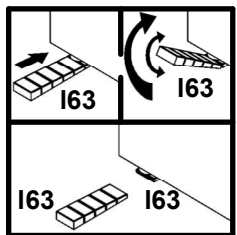


3x

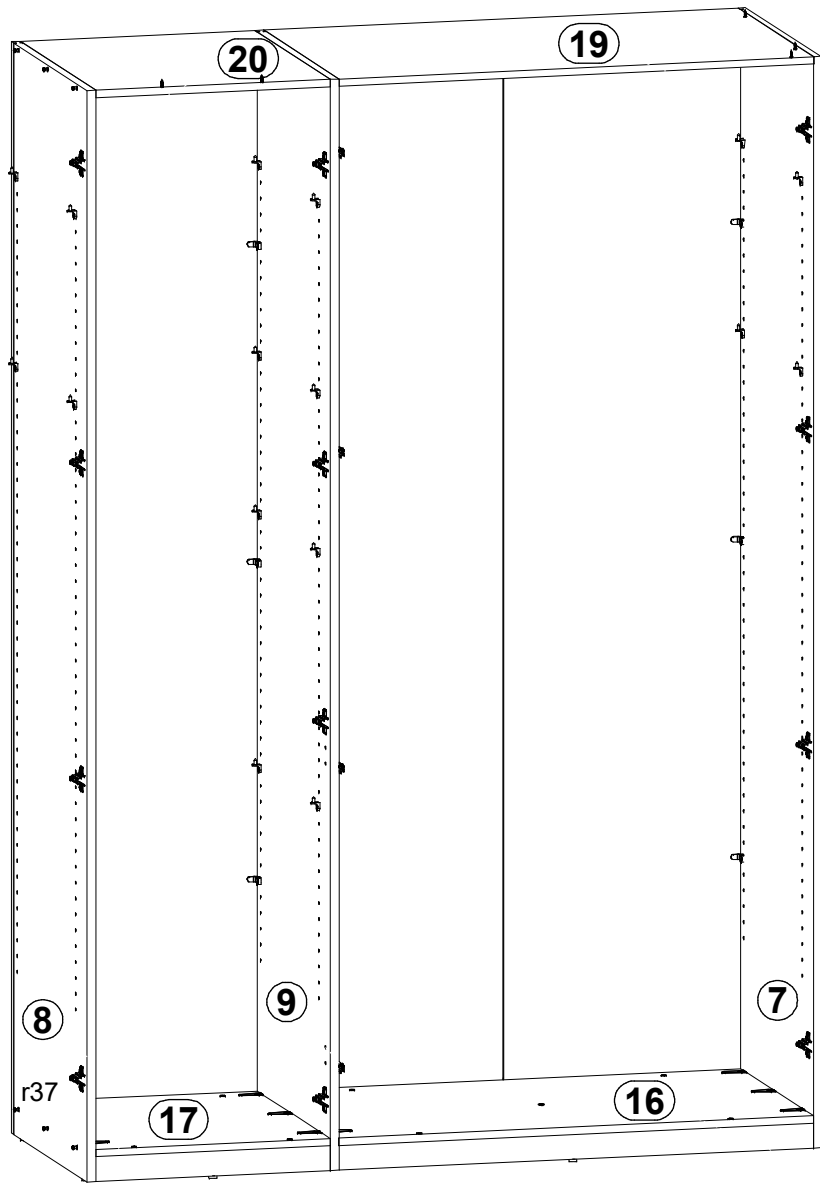


15

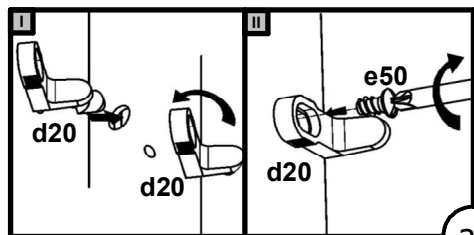
433mm



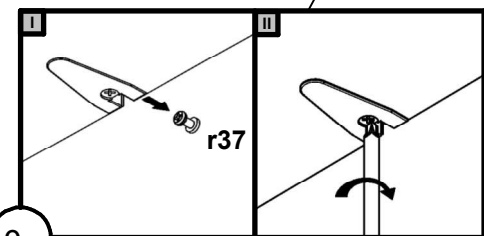
16



7

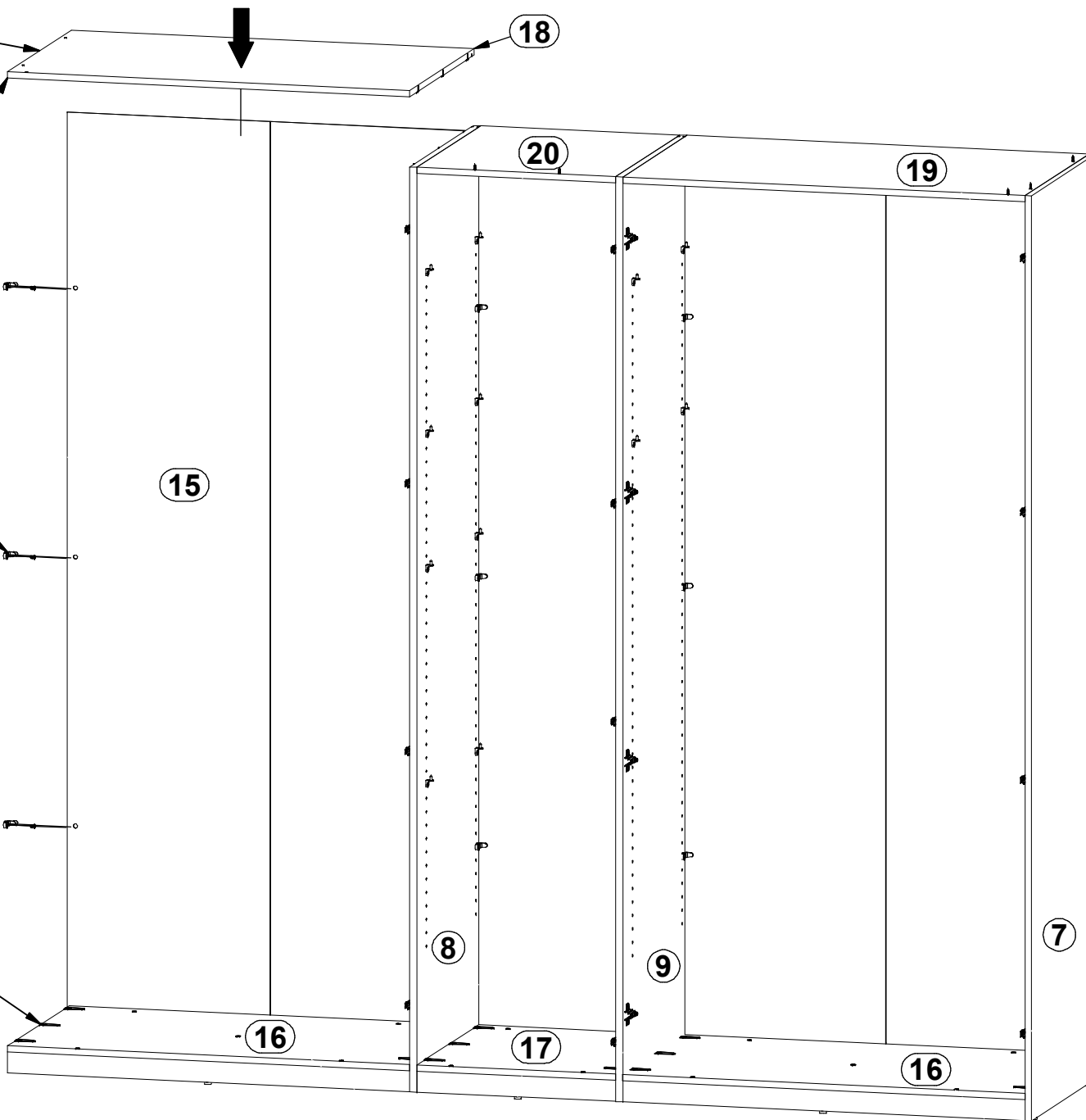
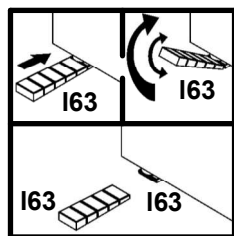


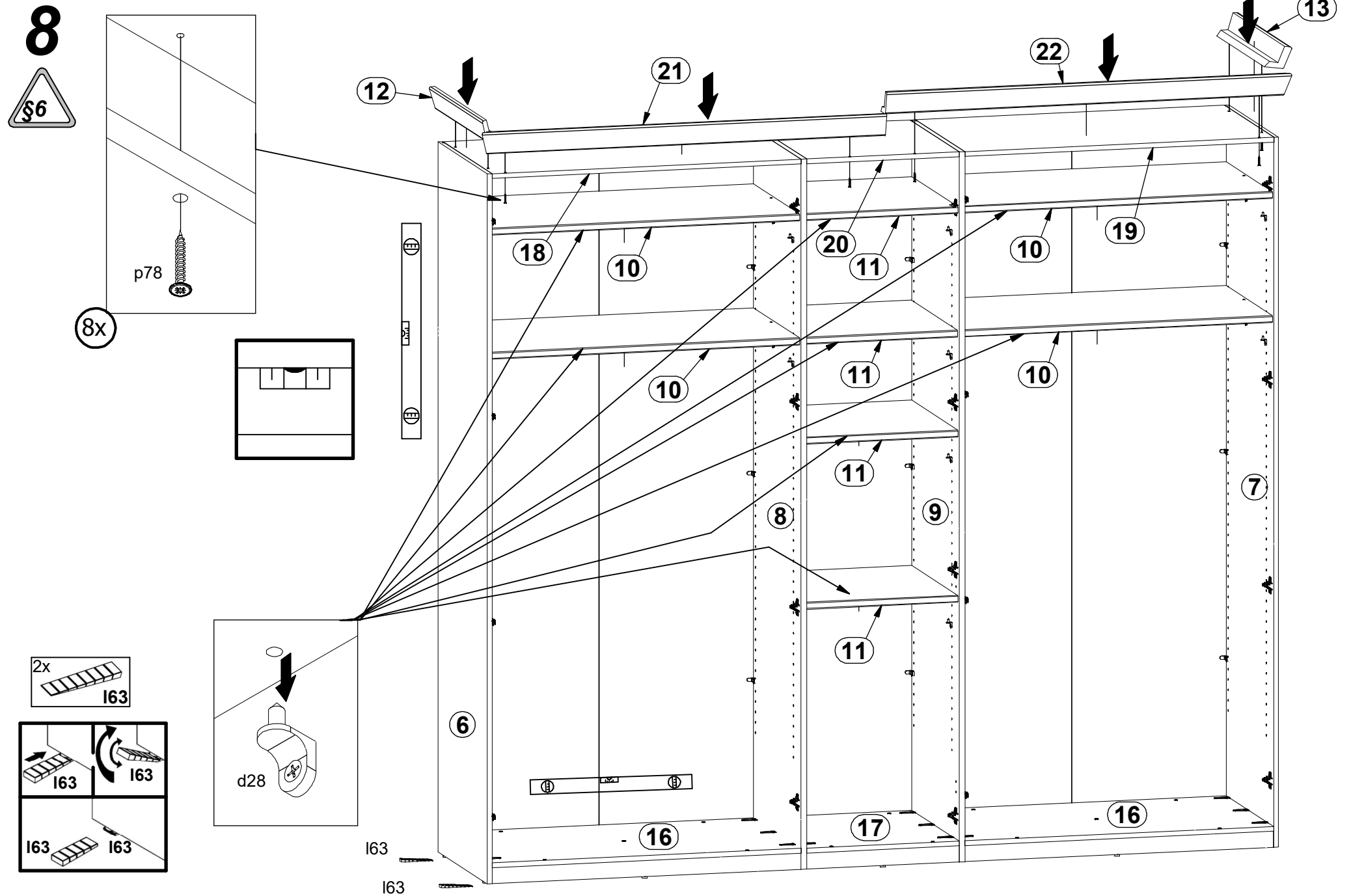
3x



9x

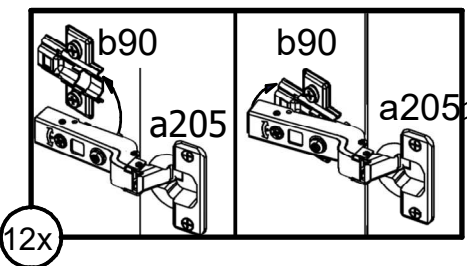
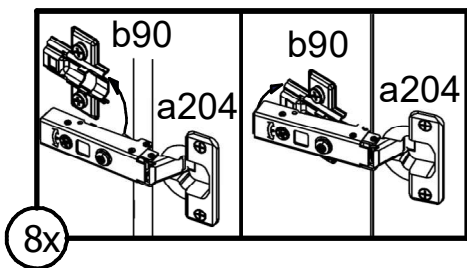
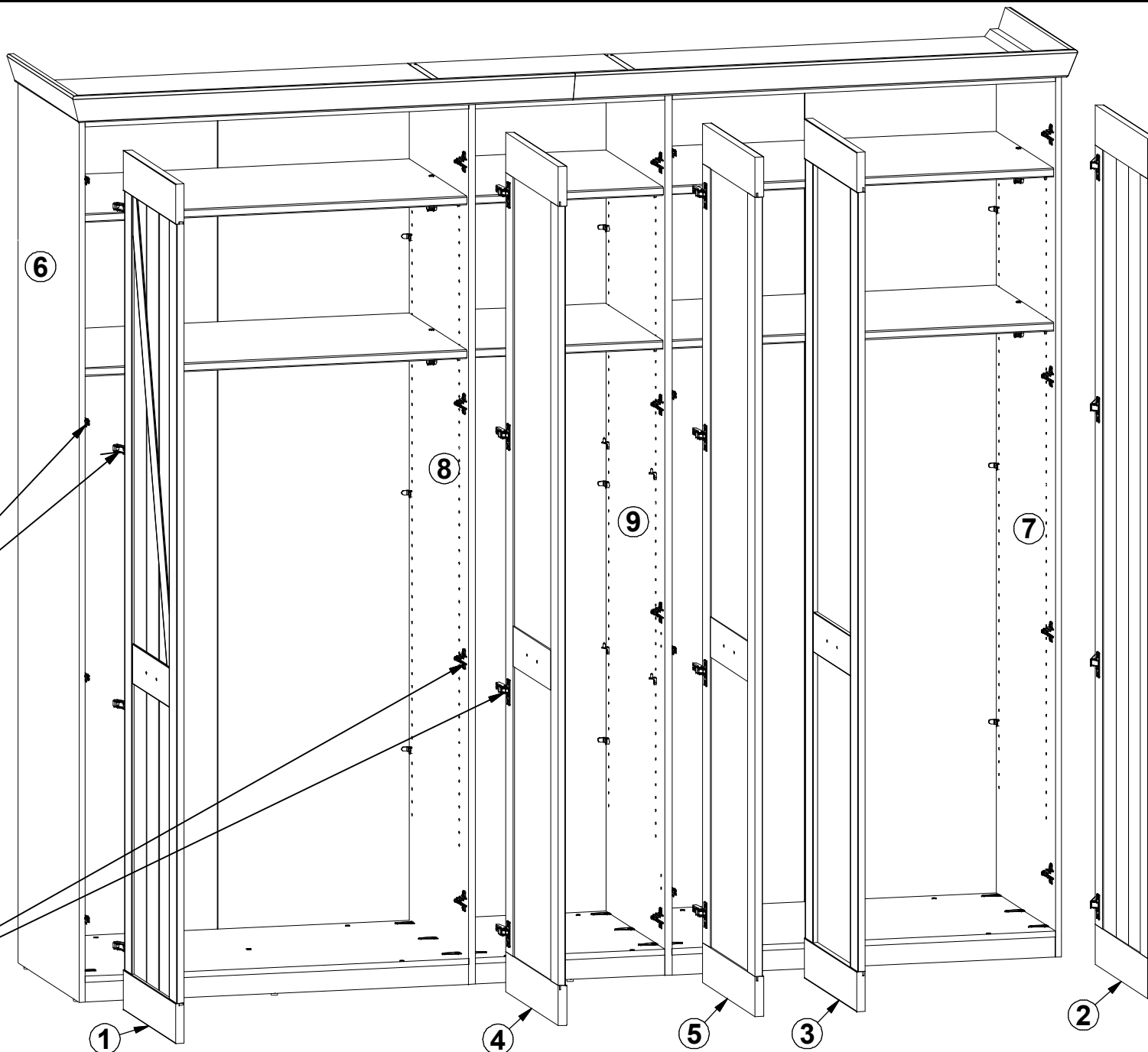
6





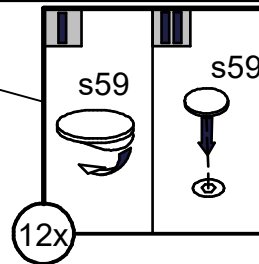
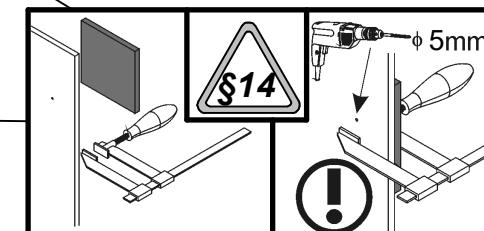
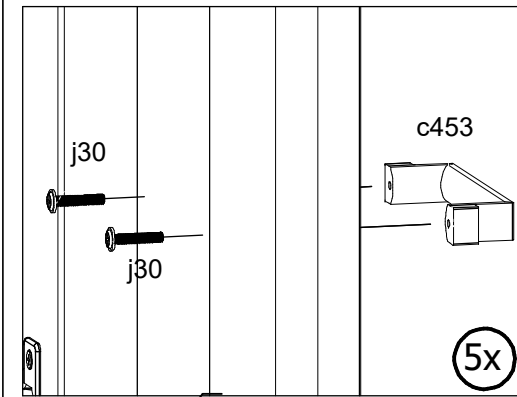
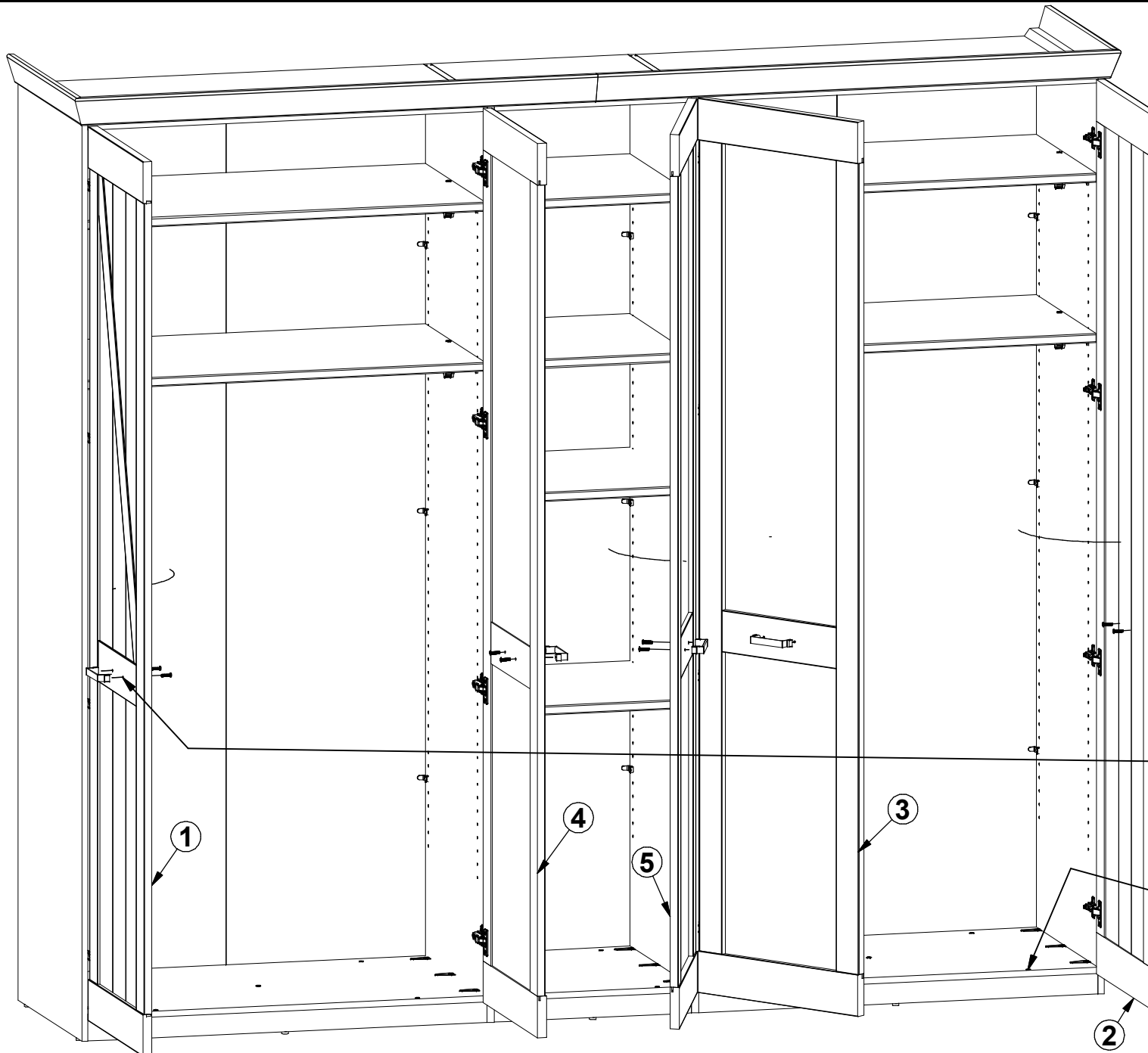


9

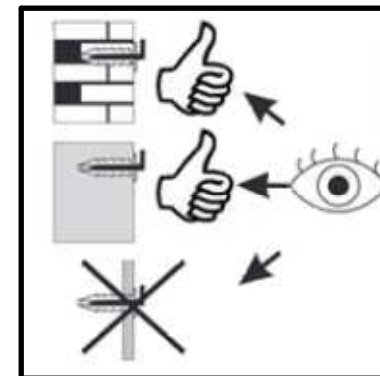
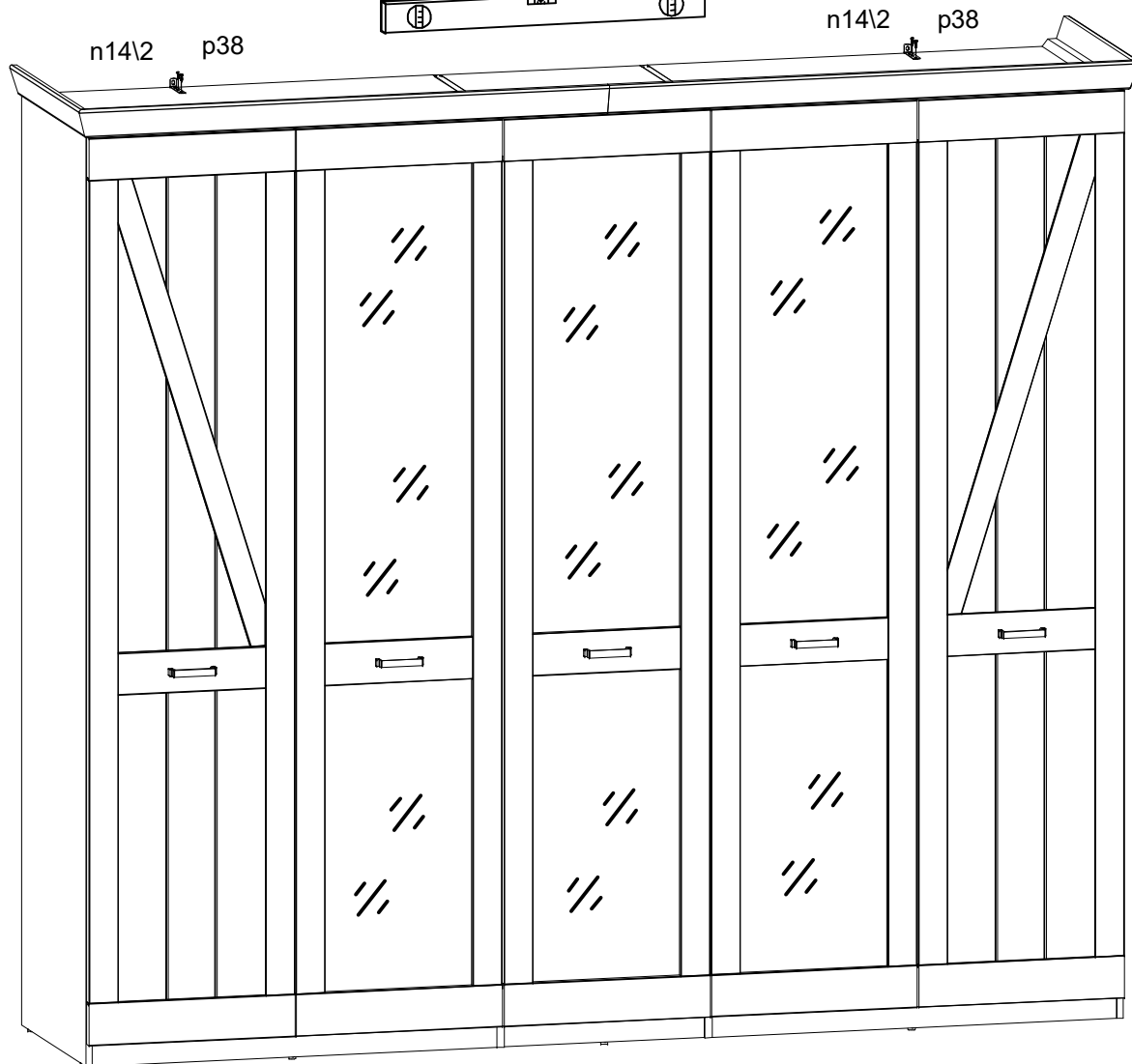
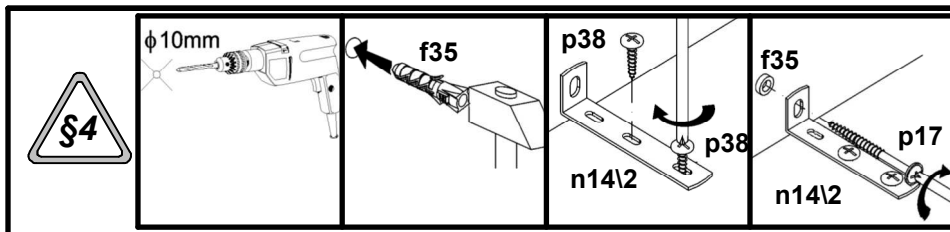
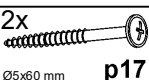
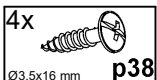
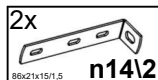




10



11



12

