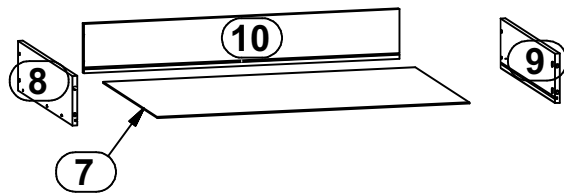
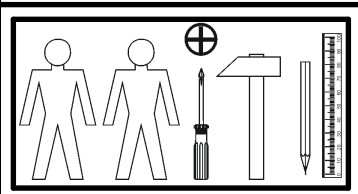
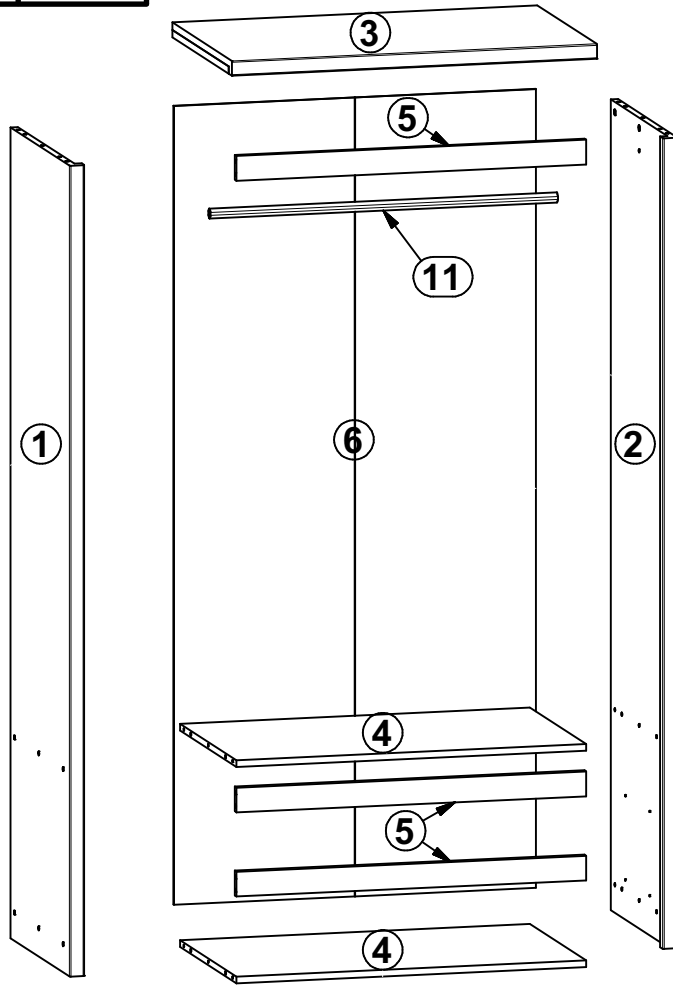
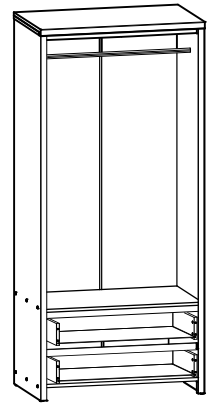


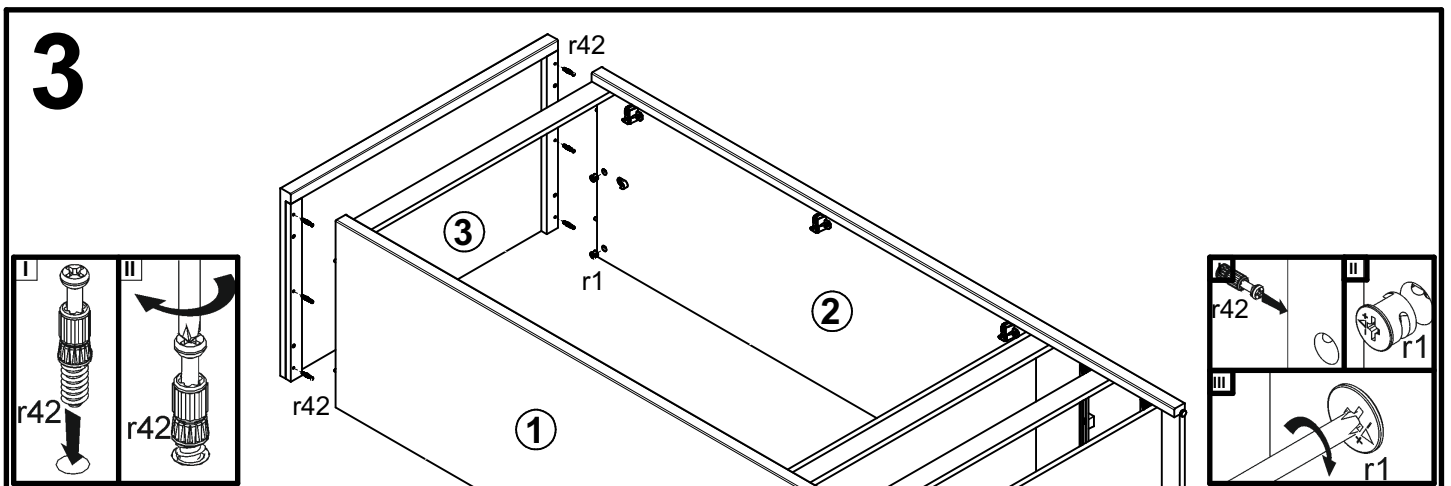
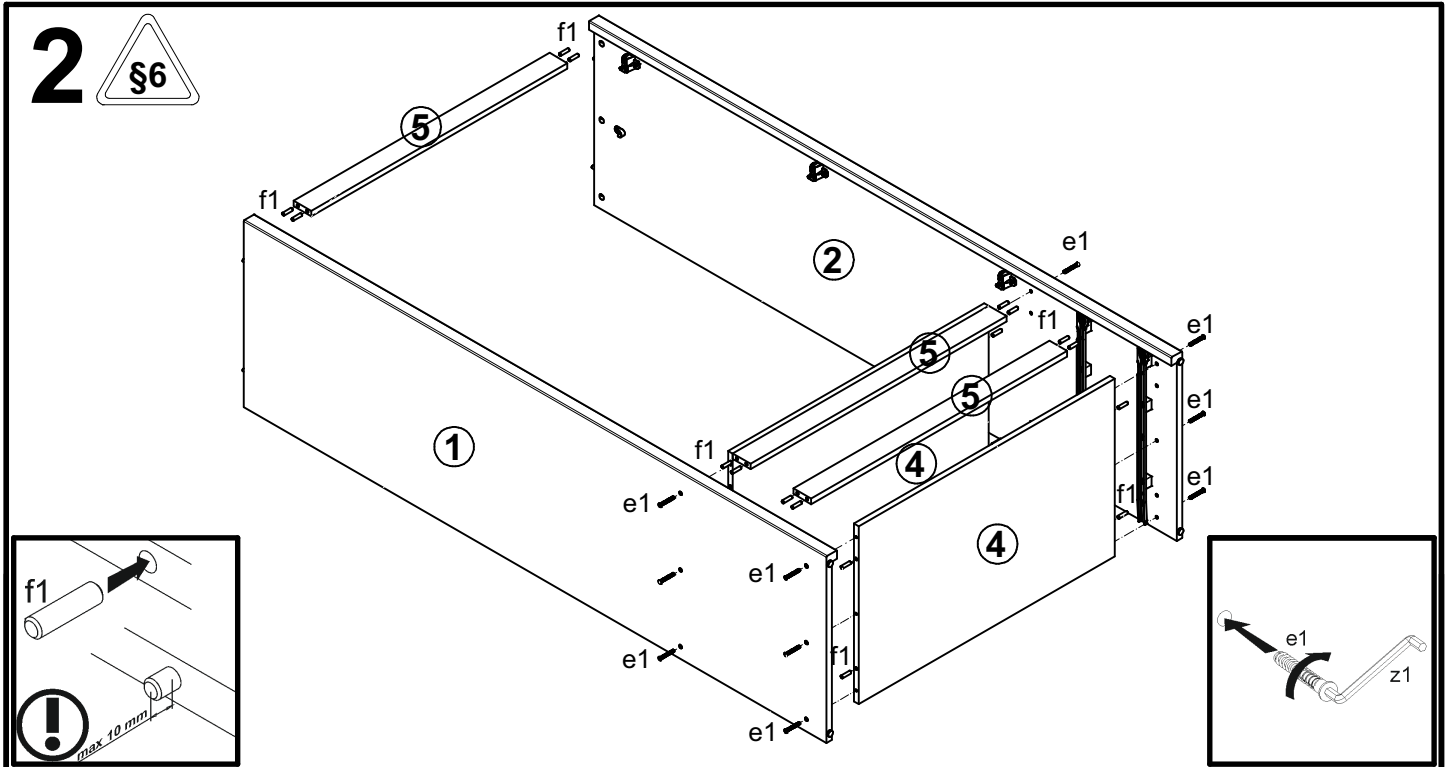
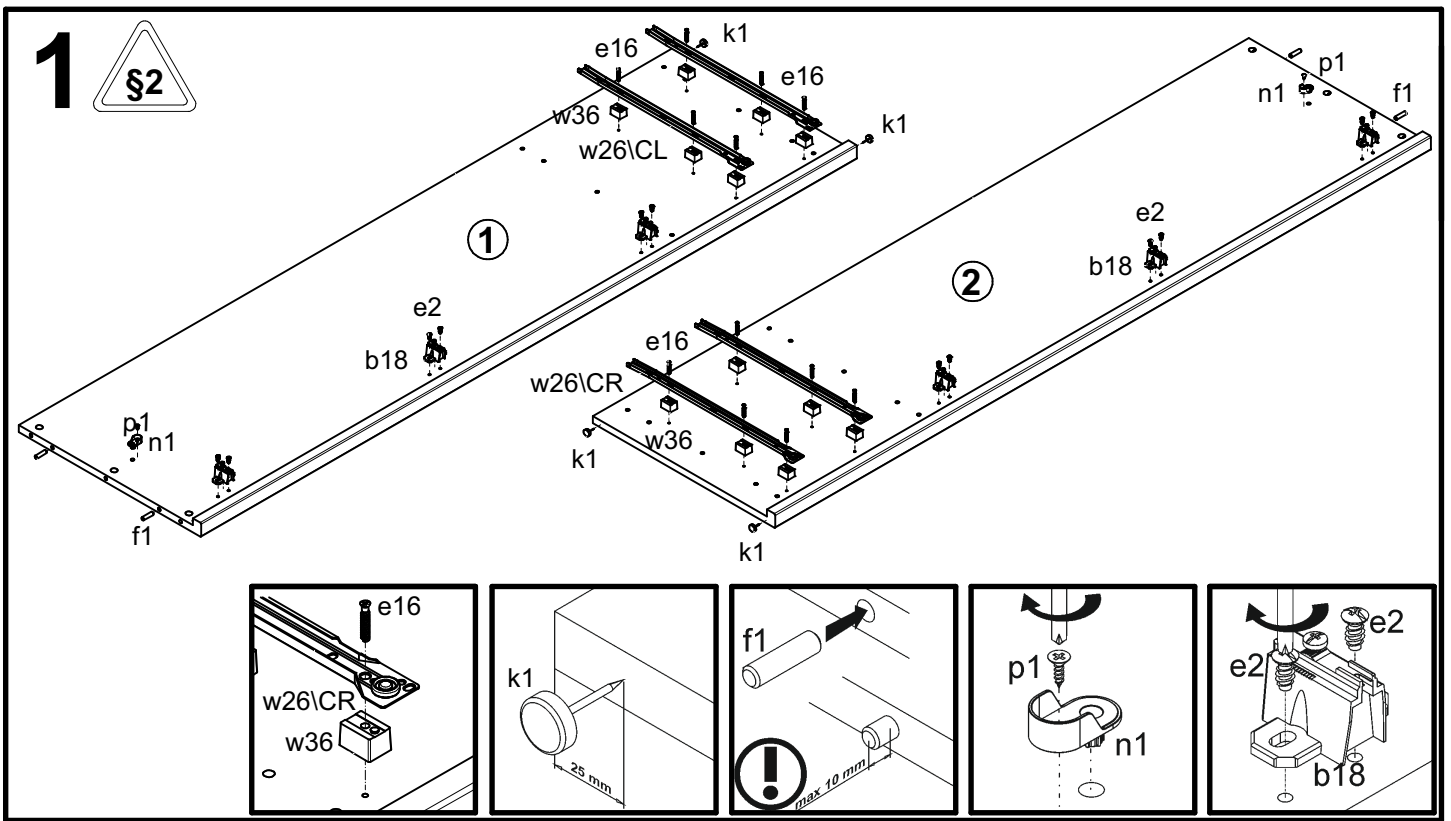
KRISTINA

SZF2D2S

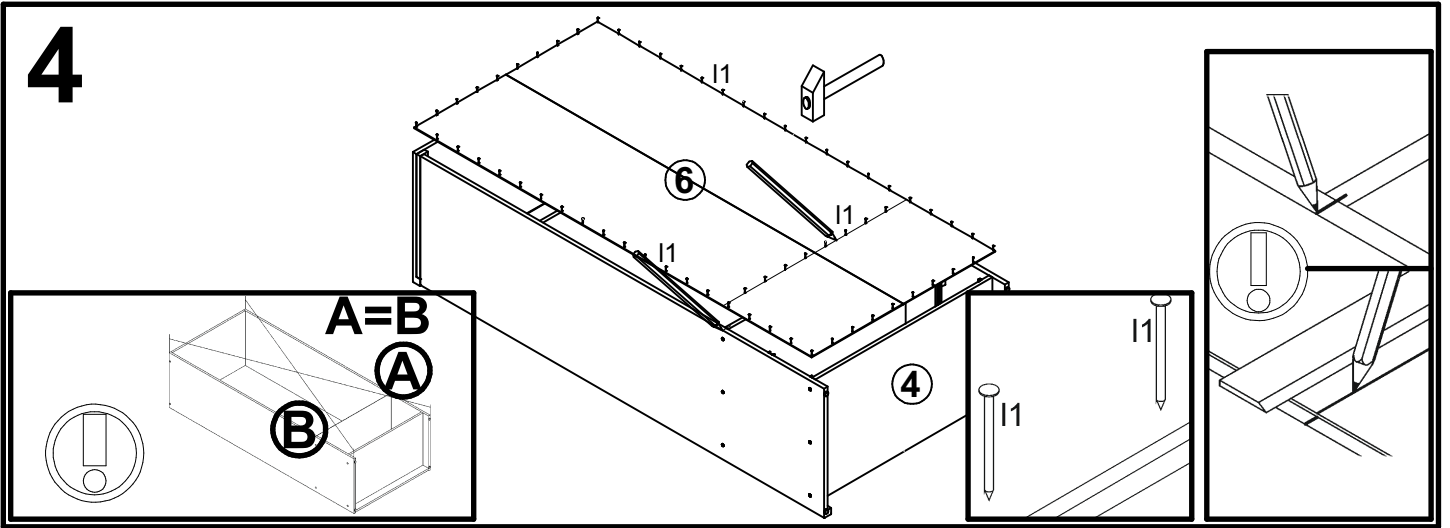
A	B	C		D
1	S128-103	1964	546	1/3
2	S128-104	1964	546	1/3
3	S128-202-01	900	549	2/3
4	S128-303	863	520	2/3
5	S128-401	863	60	2/3
6	S128-902	1935	893	1/3
7	S128-9903	780	498	1/3
8	BP-501	500	120	2/3
9	BP-502	500	120	2/3
10	ZP-5503	770	120	2/3
11	dr-857	857	22	2/3



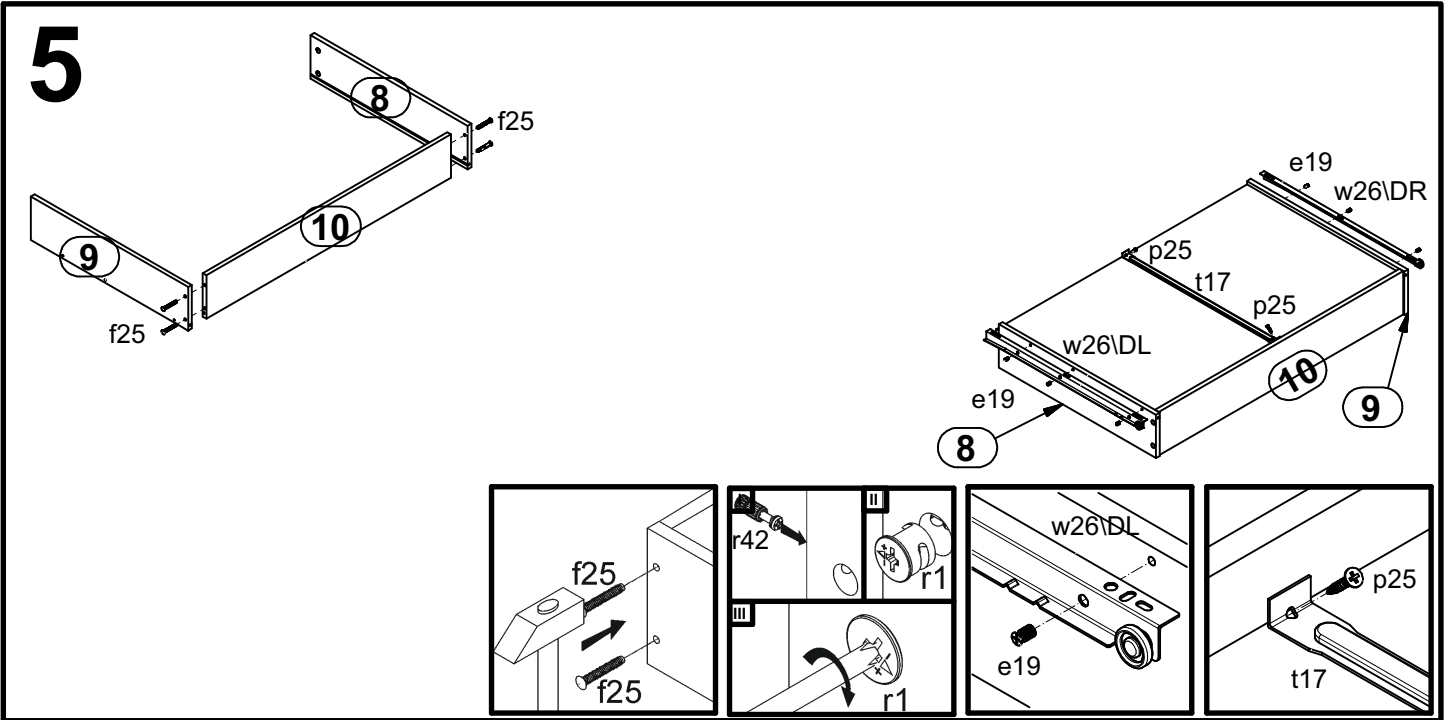
6x a43	6x b18	12x φ7x50 mm e1	12x φ6x30 mm e16	12x φ5x9 mm e19	12x φ6,3x13 mm e2	24x φ8x30 mm f1	8x φ6,5x40 mm f25	4x k1
64x l1	2x n1	2x φ3,5x13 mm p1	4x φ3,5x16 mm p25	12x φ3,5x15 mm p51	14x φ1,5x12mm #16 r1	14x r42	12x s1	6x ø16 s2
2x 483 mm t17	2x 500 mm w26\ICL	2x 500 mm w26\ICR	2x 500 mm w26\IDL	2x 500 mm w26\IDR	12x h=18 mm w36	1x n26\I1	1x φ3,5x16 mm p38	1x z1

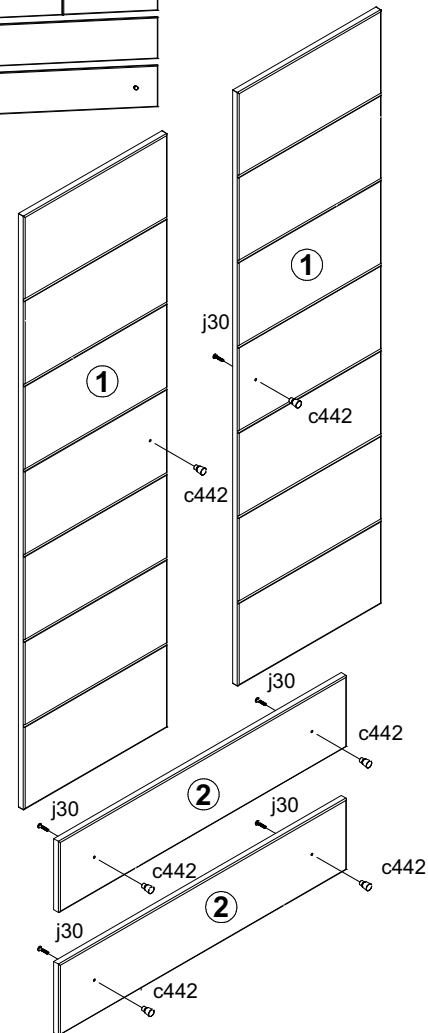
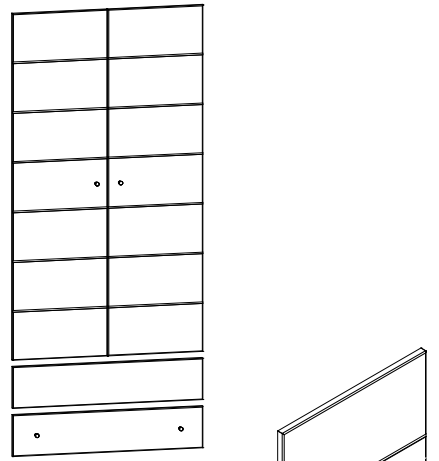
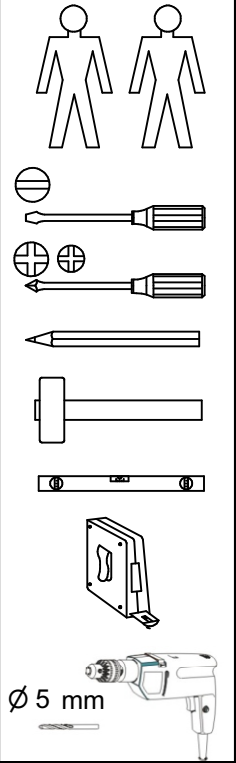


4



5





A	B	C (mm)		D
1	S264-0032	1468	410	3/3
2	S264-0033	176	822	3/3

