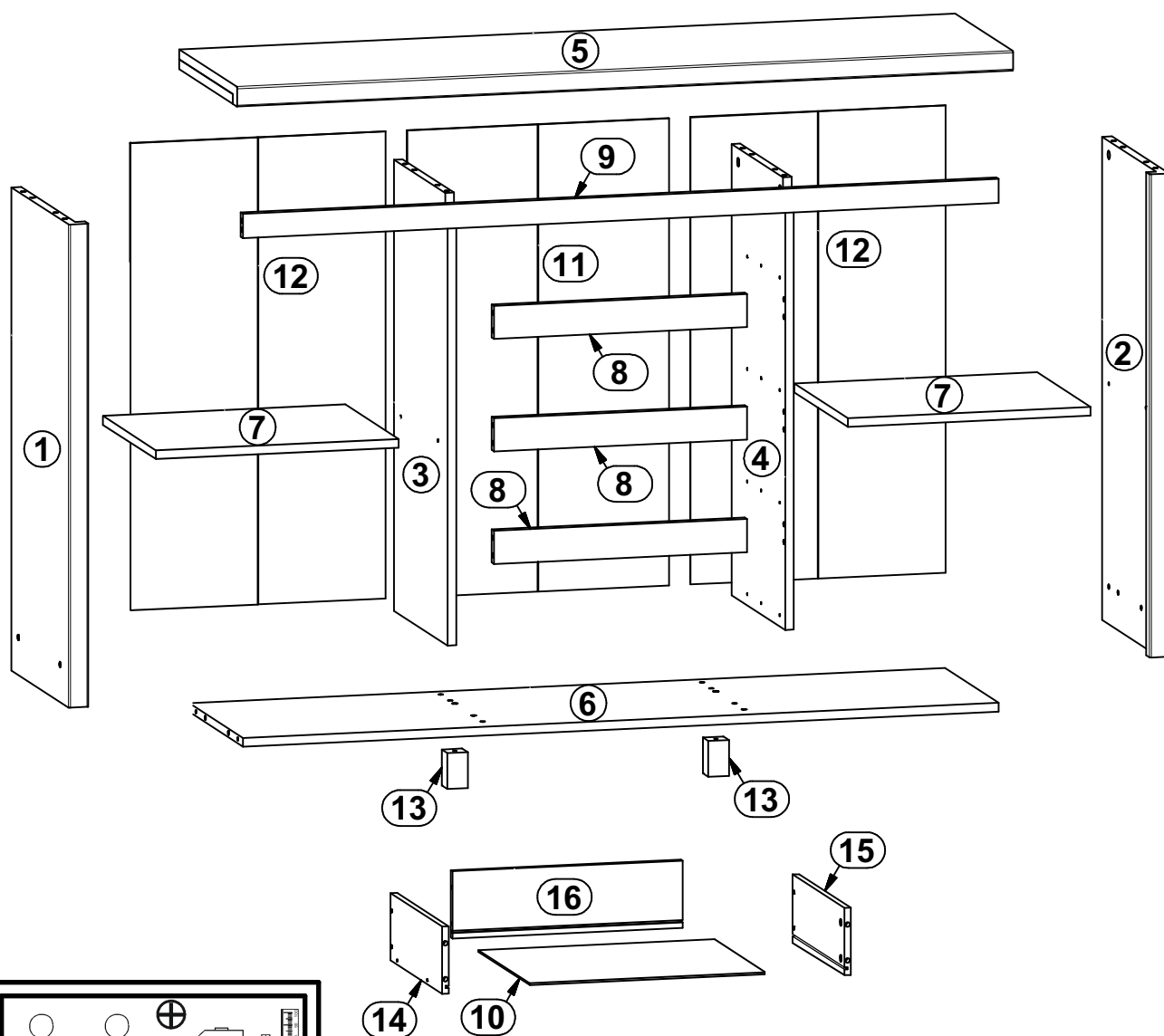
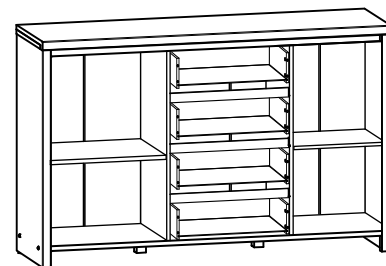


KRISTINA

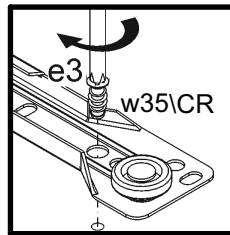
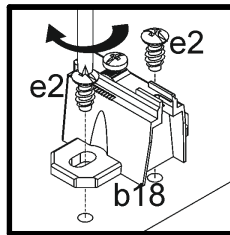
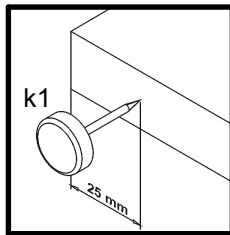
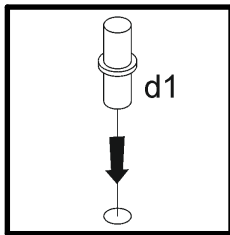
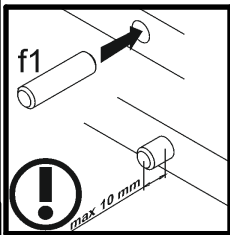
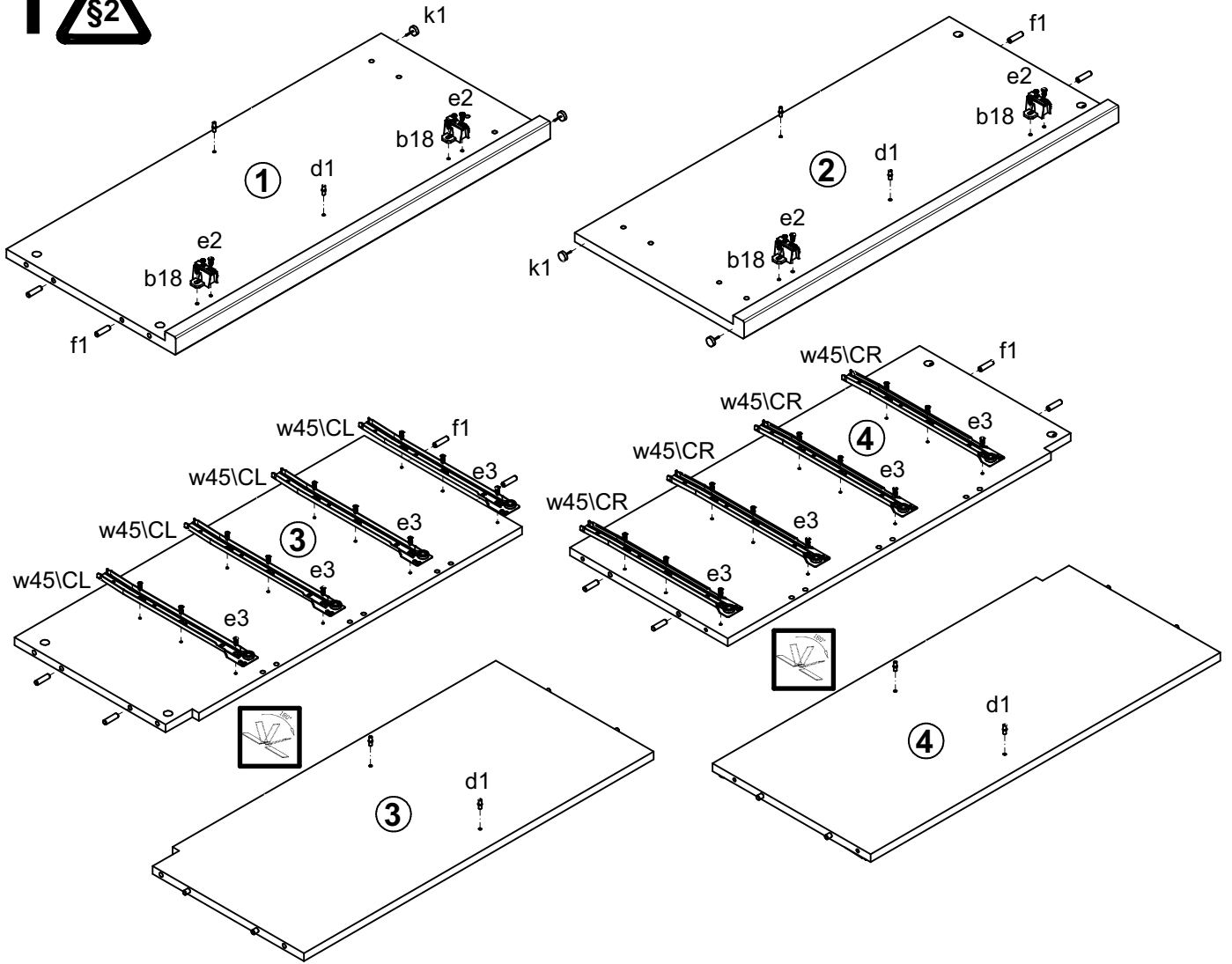
KOM2D4S

A	B	C		D	A	B	C		D
1	S128-107	876	396	1/4	9	S128-406	1395	44	2/4
2	S128-108	876	396	1/4	10	S128-9901	420	348	2/4
3	S128-109	818	369	1/4	11	S128-908	847	483	1/4
4	S128-110	818	369	1/4	12	S128-909	847	471	1/4
5	S128-204	1432	399	2/4	13	ZN1-501	65	38	1/4
6	S128-302	1395	370	2/4	14	BP-503	350	120	1/4
7	S128-305	448	368	2/4	15	BP-504	350	120	1/4
8	S128-404	467	60	1/4	16	ZP-5505	410	120	1/4

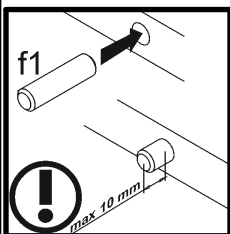
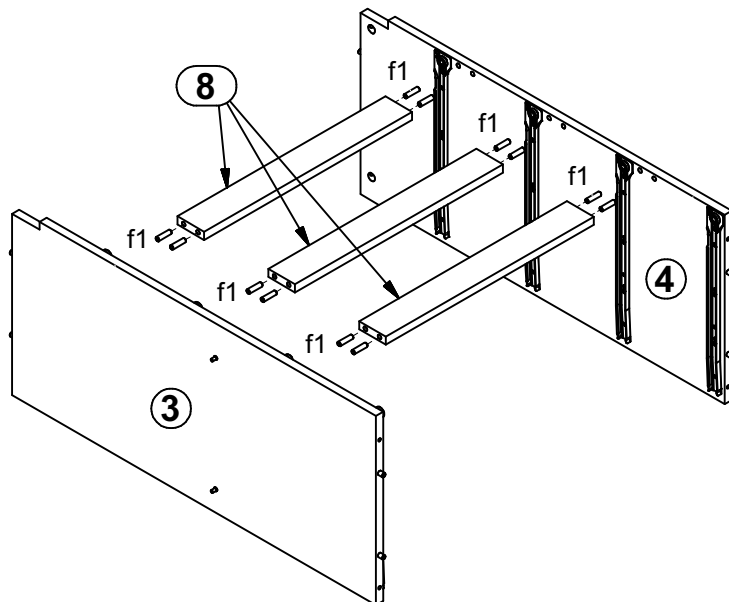


4x a43	4x b18	8x d1 φ5x17 mm	10x e1 φ7x50 mm	16x e19 φ5x9 mm	8x e2 φ6,3x13 mm	24x e3 φ6x13 mm	32x f1 φ8x30 mm	16x f25 φ6,5x40 mm
4x k1	90x l1	8x p51 φ3,5x15 mm	24x r1 φ1,5x12mm #16	24x r42	4x s1	4x w45ICL 350 mm	4x w45ICR 350 mm	
4x w45IDL 350 mm	4x w45IDR 350 mm	4x s2 φ16	1x z1	1x n2611	1x p38 φ3,5x16 mm			

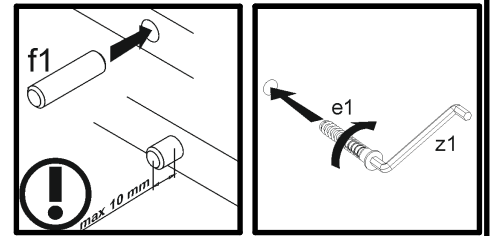
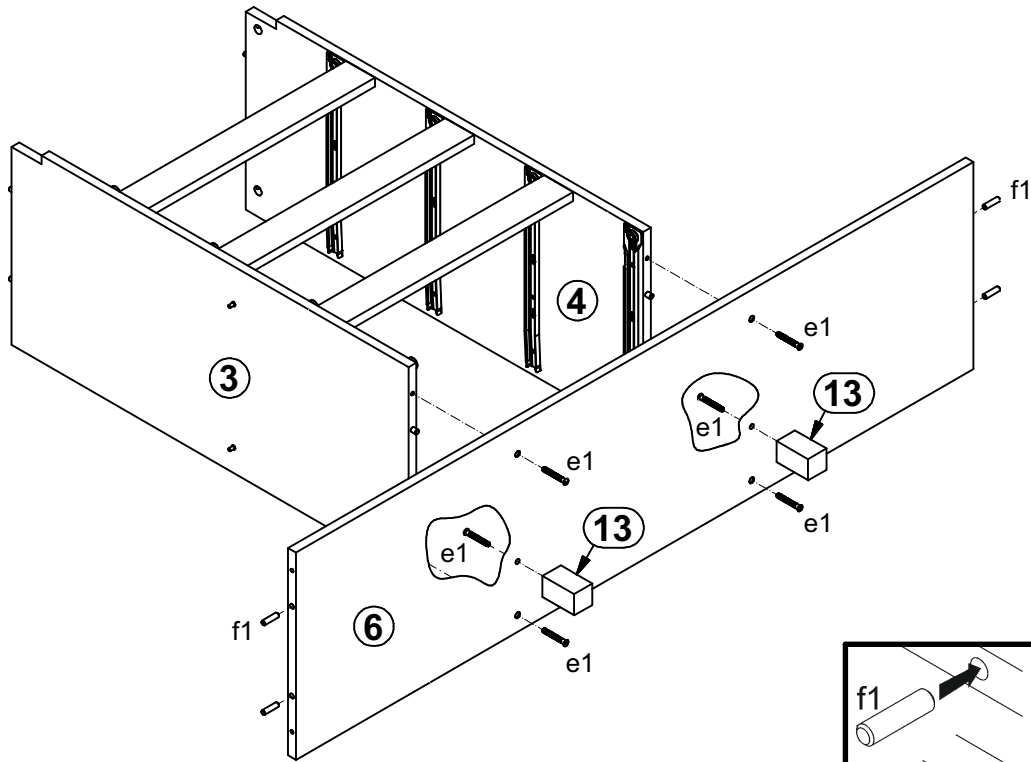
1



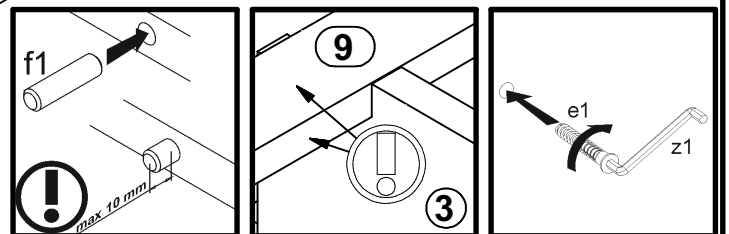
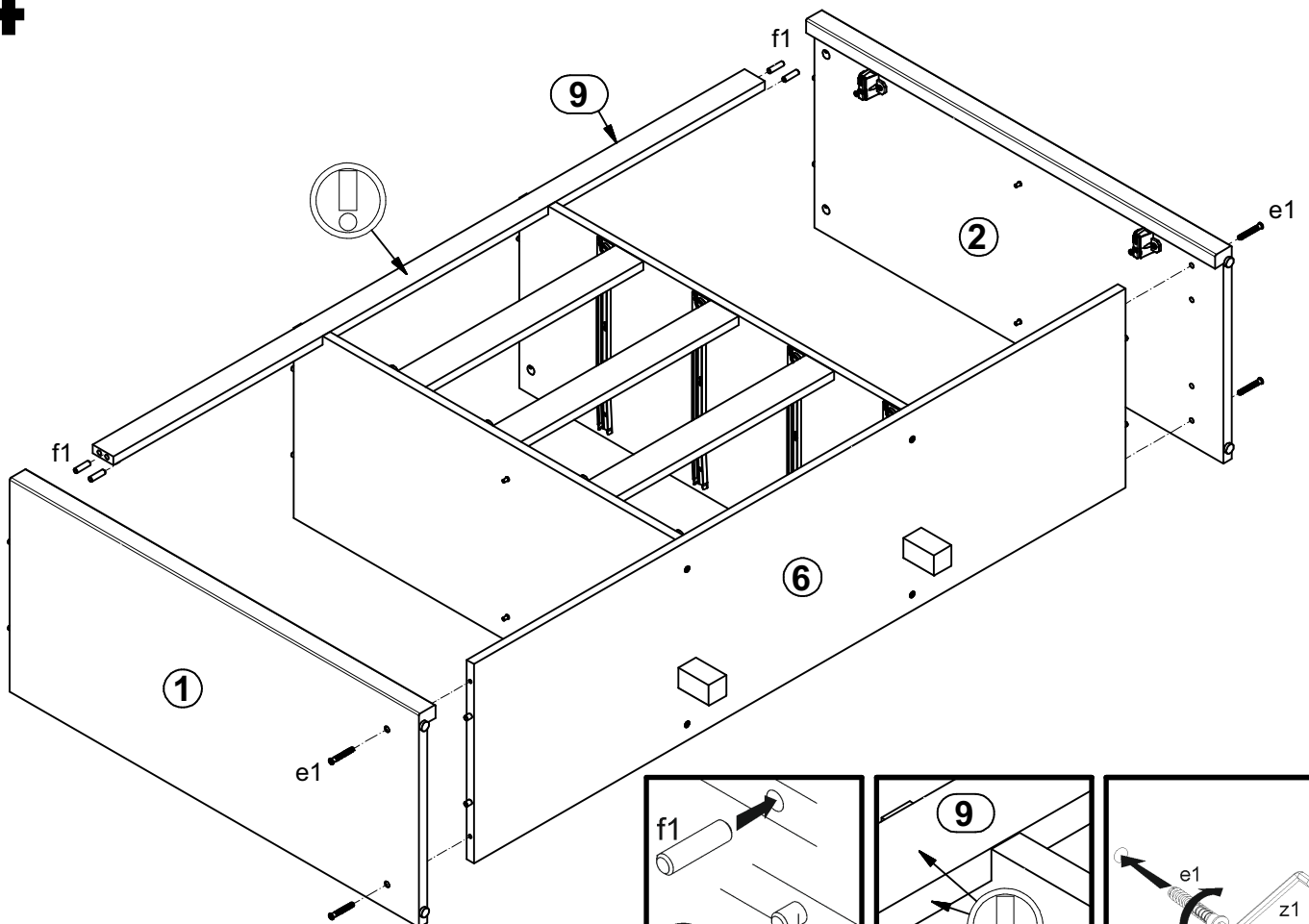
2



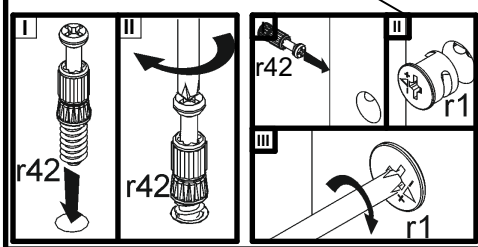
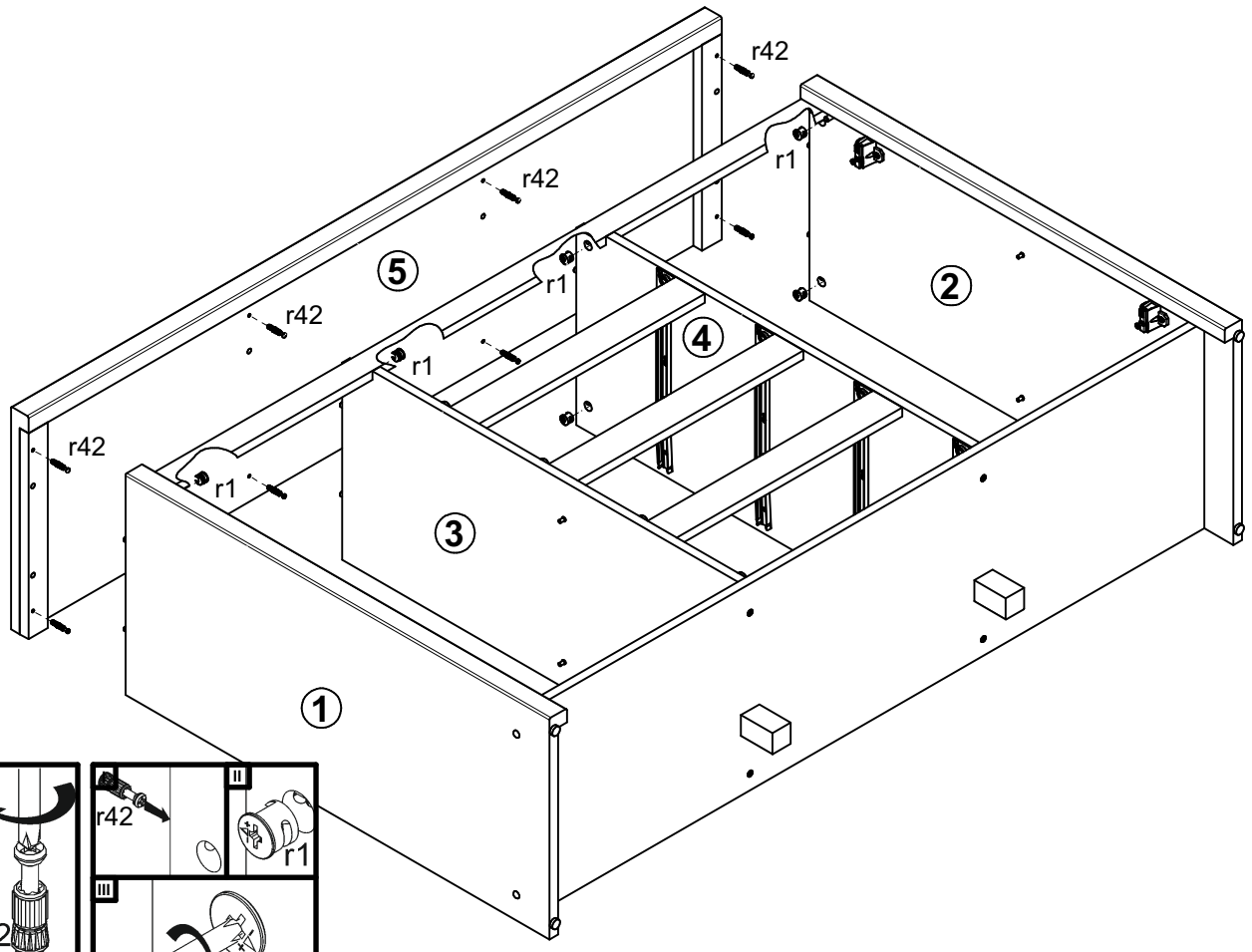
3



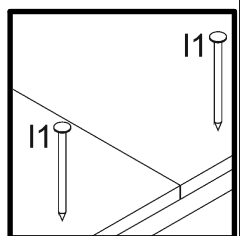
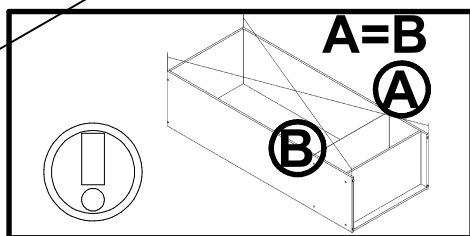
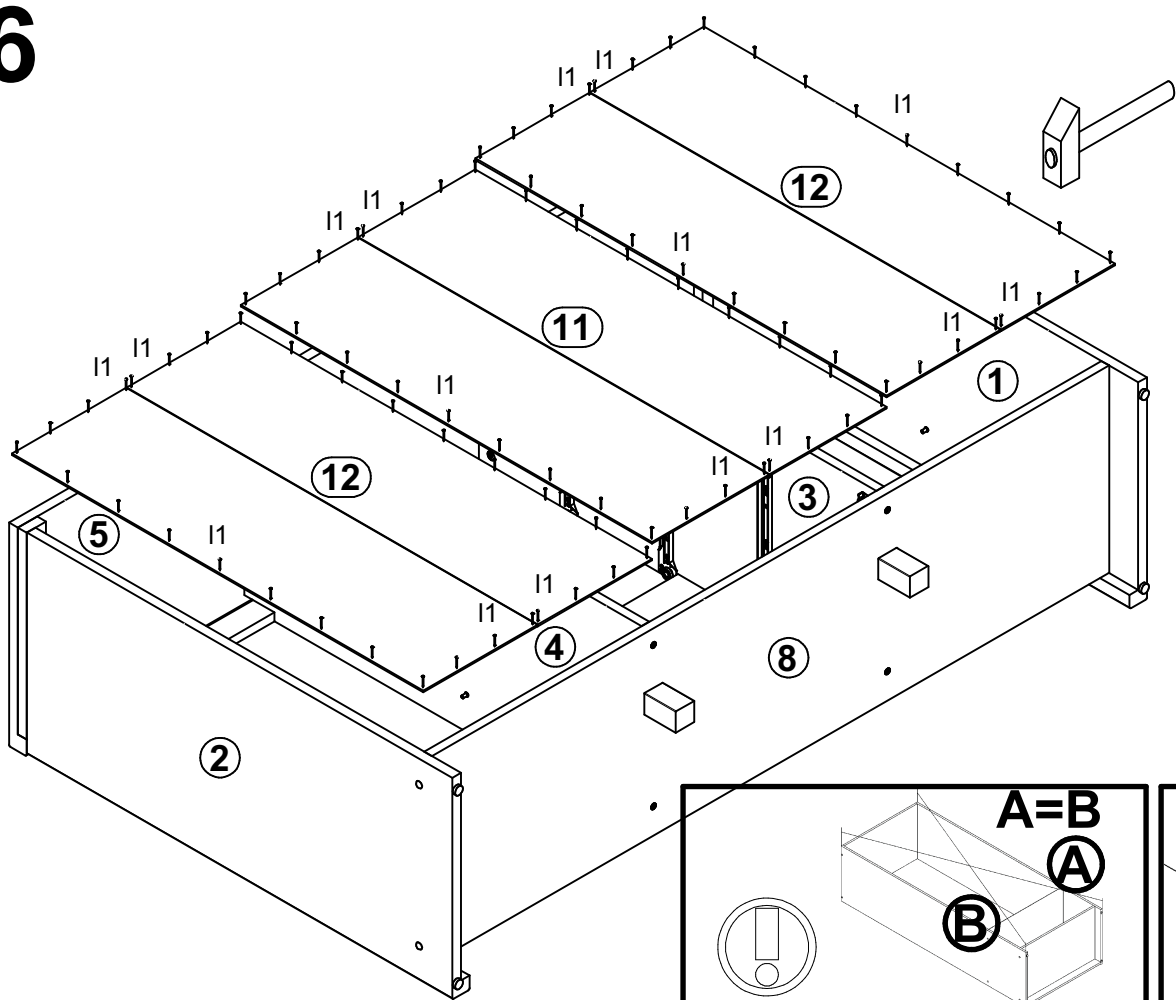
4



5



6



7

