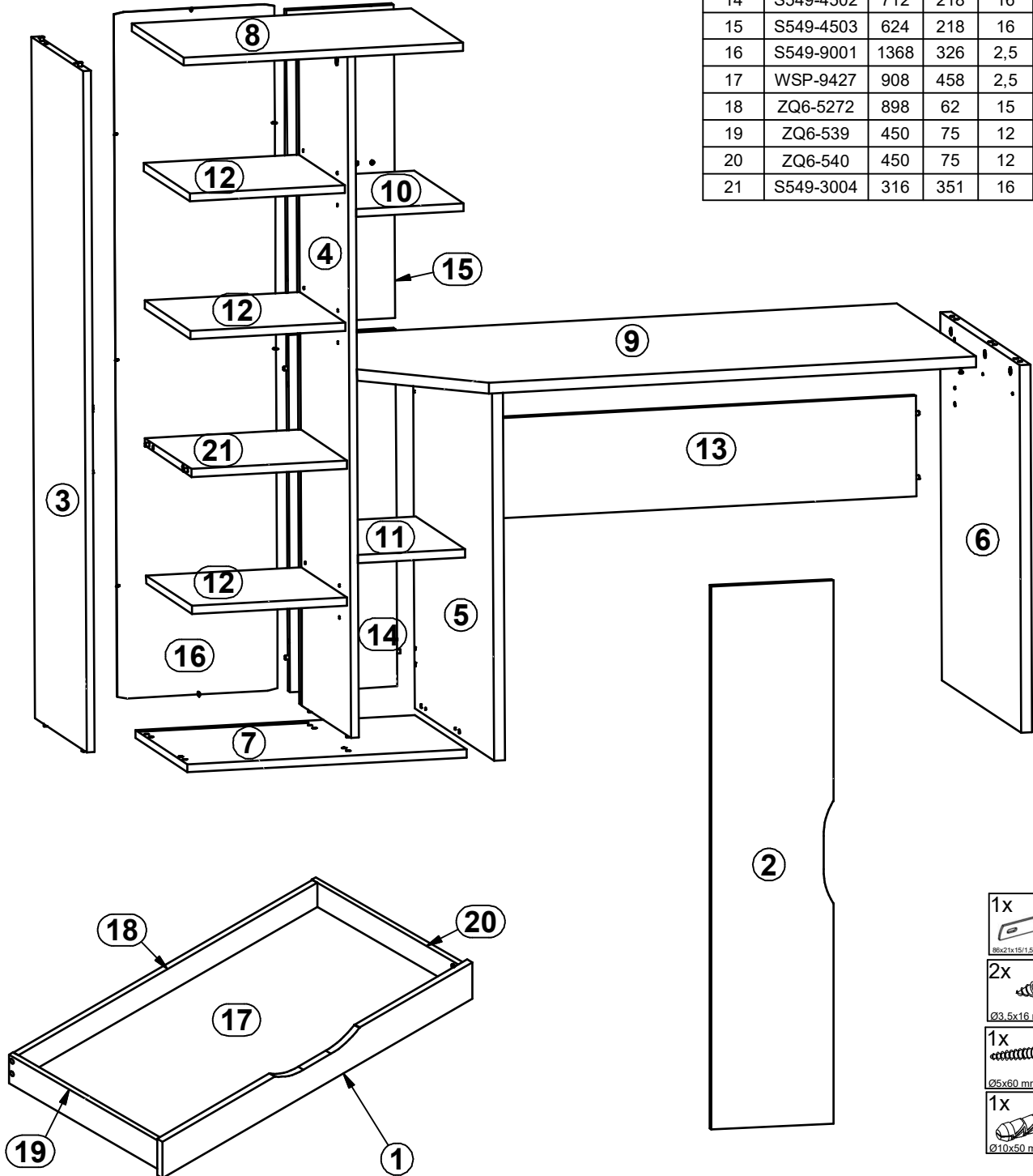
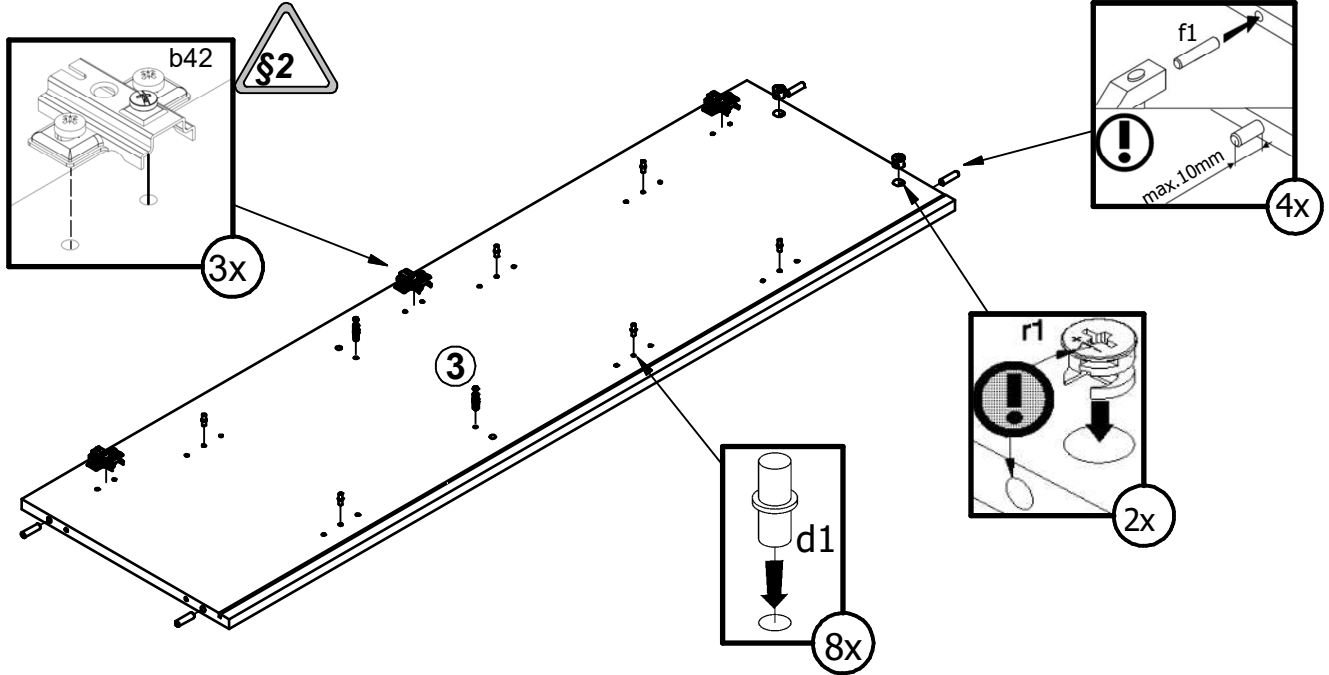


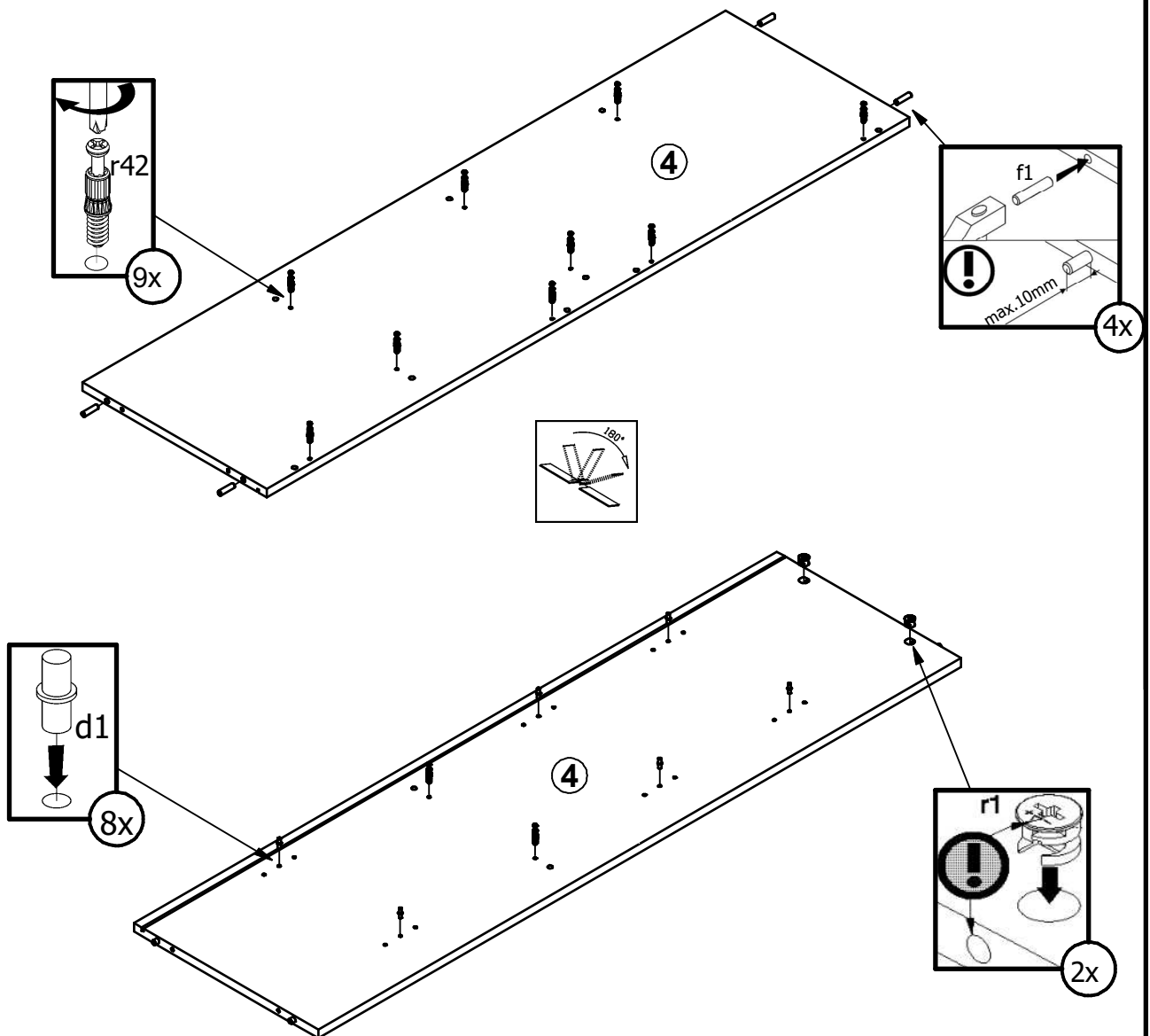
A	B	C1	C2	C3	D
1	S549-0001	932	95	16	1/2
2	S549-0002	1352	310	16	1/2
3	S549-1001	1358	389	16	1/2
4	S549-1002	1358	389	16	1/2
5	S549-1003	733	598	22	2/2
6	S549-1004	733	598	22	2/2
7	S549-2001	567	390	16	2/2
8	S549-2002	567	390	16	2/2
9	S549-2003	1201	600	22	2/2
10	S549-3001	218	372	16	1/2
11	S549-3002	218	372	16	1/2
12	S549-3003	315	351	16	1/2
13	S549-4501	938	200	16	1/2
14	S549-4502	712	218	16	1/2
15	S549-4503	624	218	16	1/2
16	S549-9001	1368	326	2,5	1/2
17	WSP-9427	908	458	2,5	2/2
18	ZQ6-5272	898	62	15	1/2
19	ZQ6-539	450	75	12	2/2
20	ZQ6-540	450	75	12	2/2
21	S549-3004	316	351	16	1/2

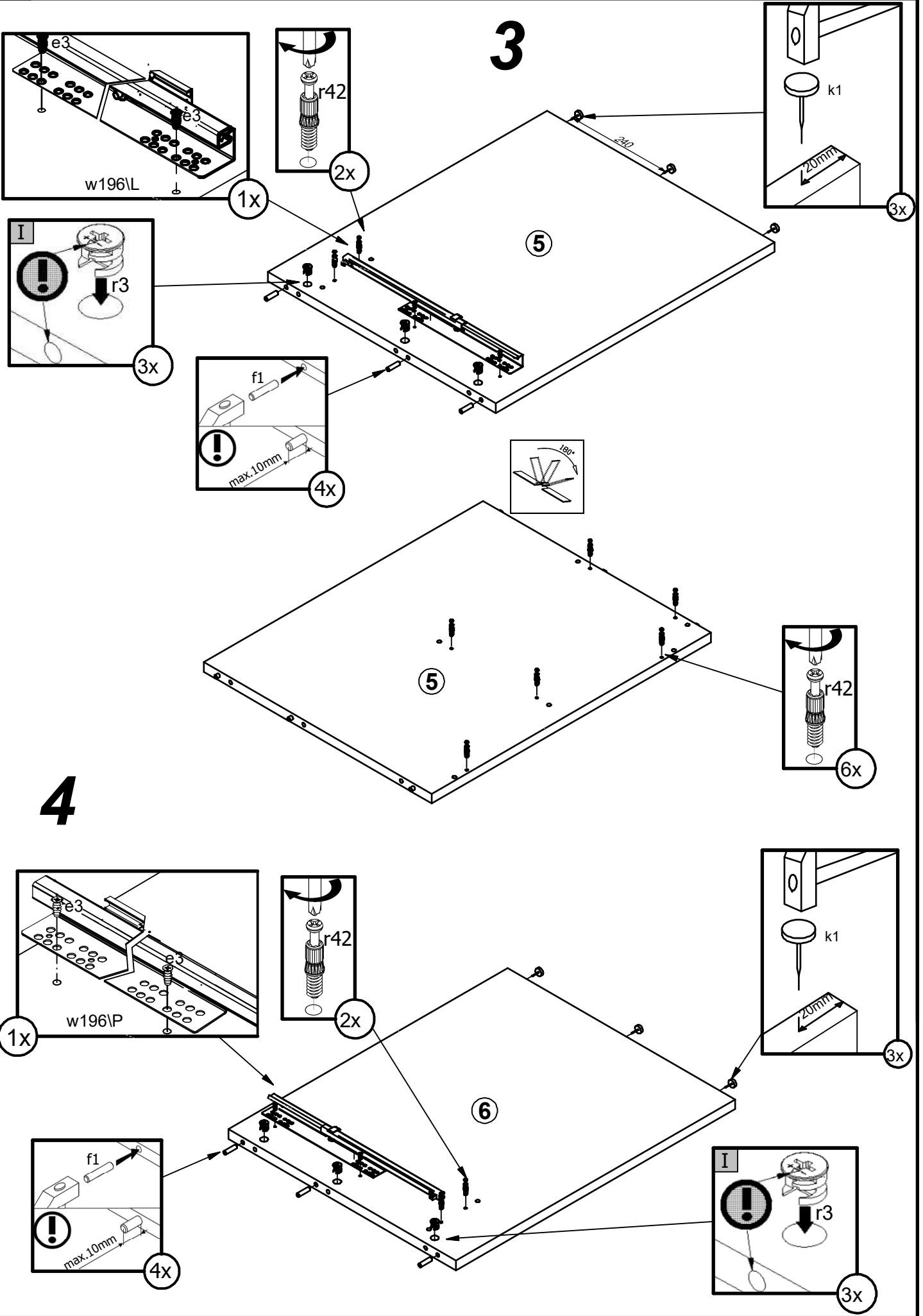


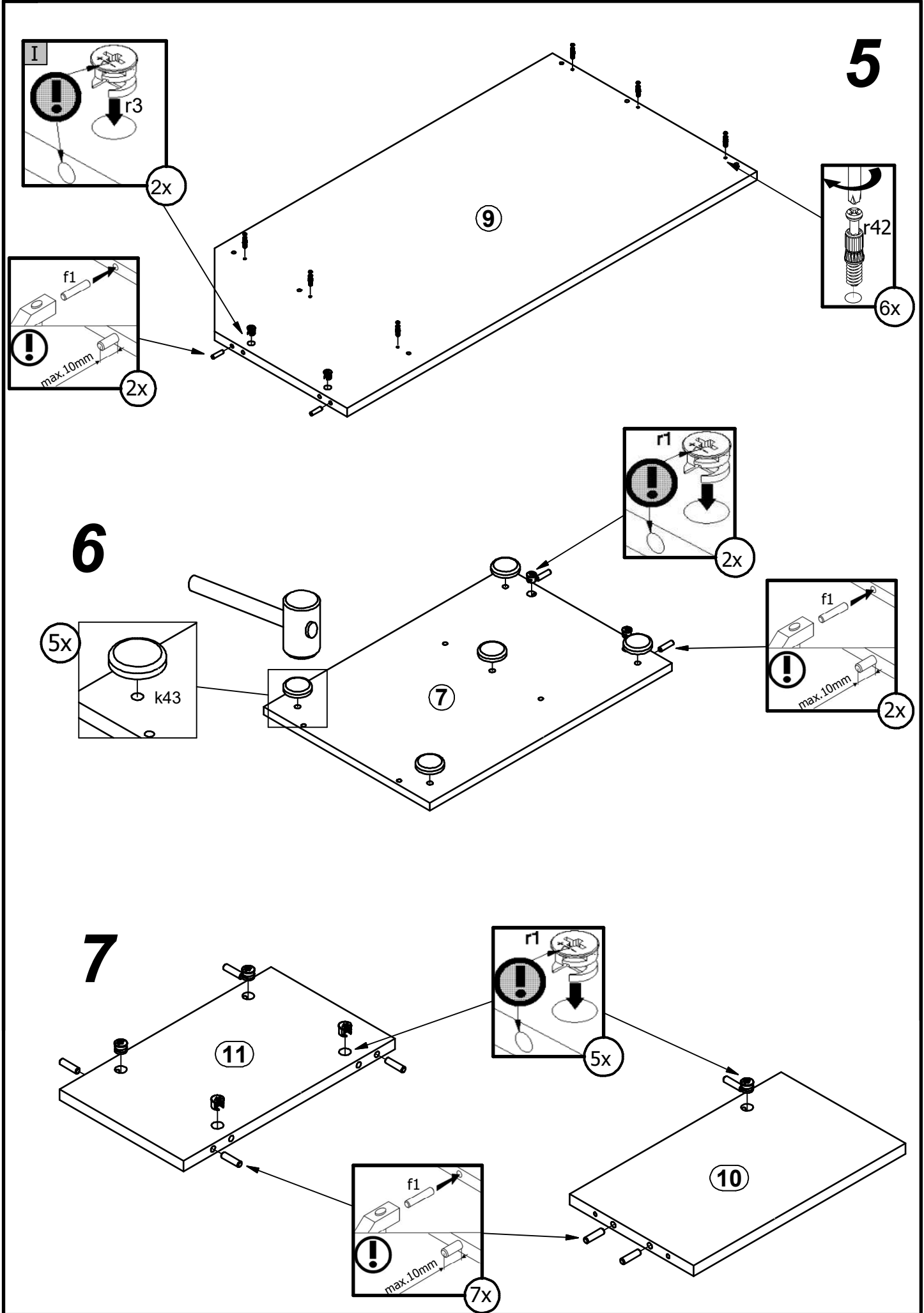
1

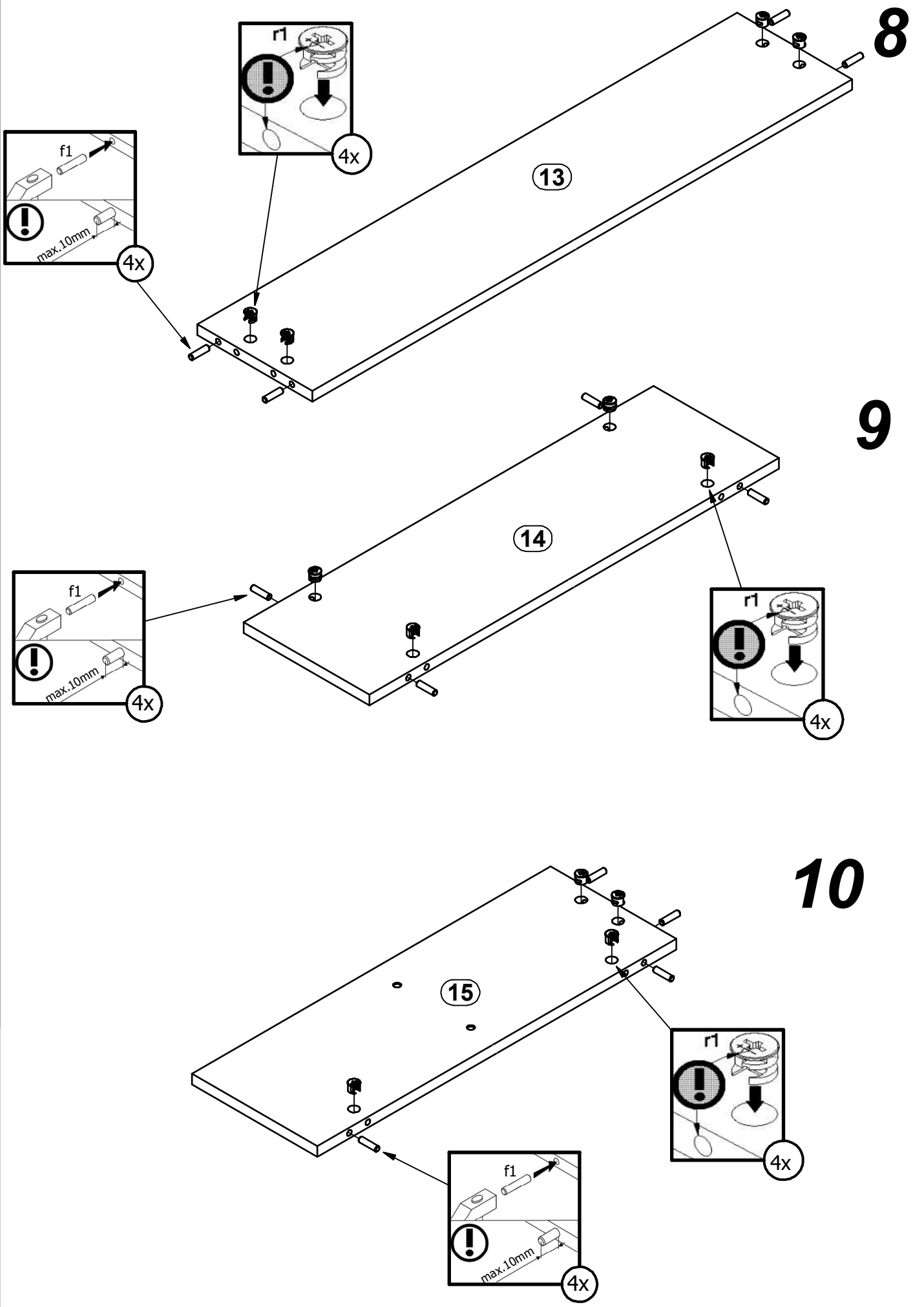


2

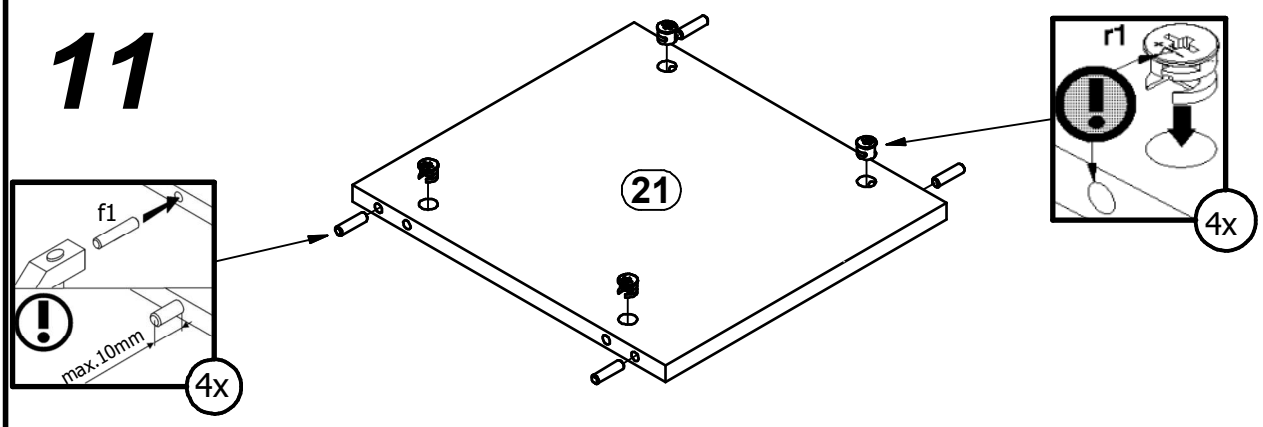




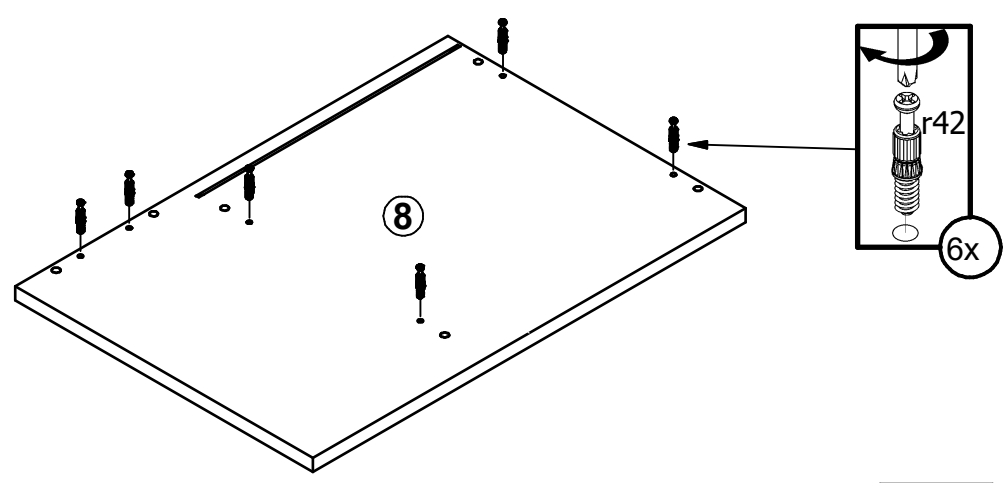




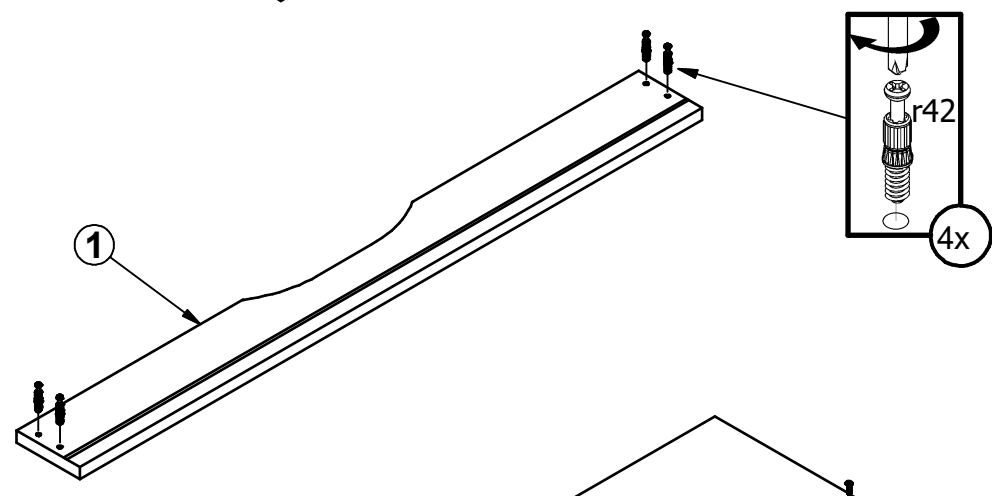
11



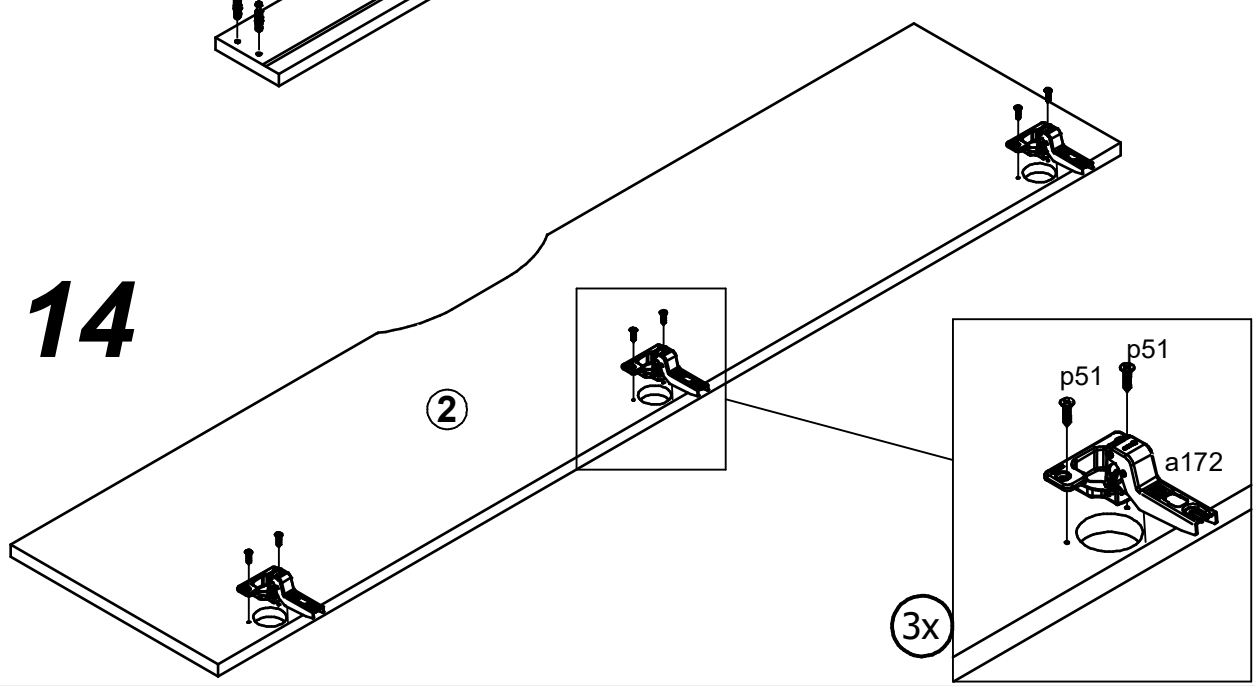
12



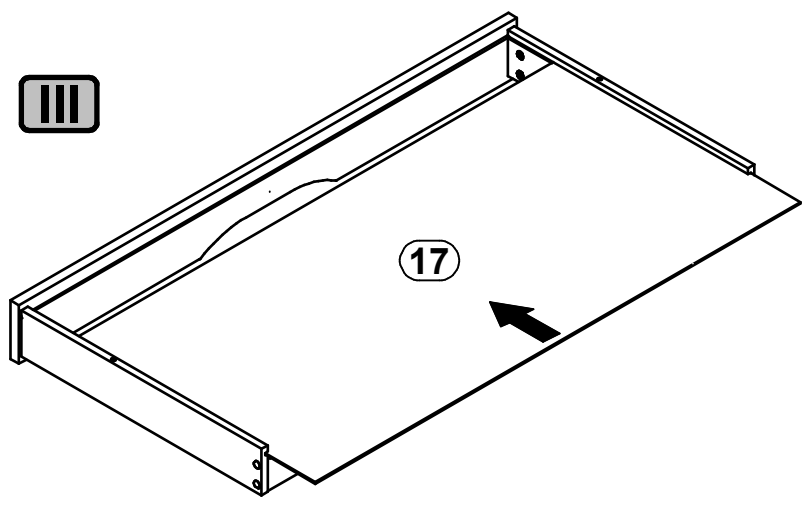
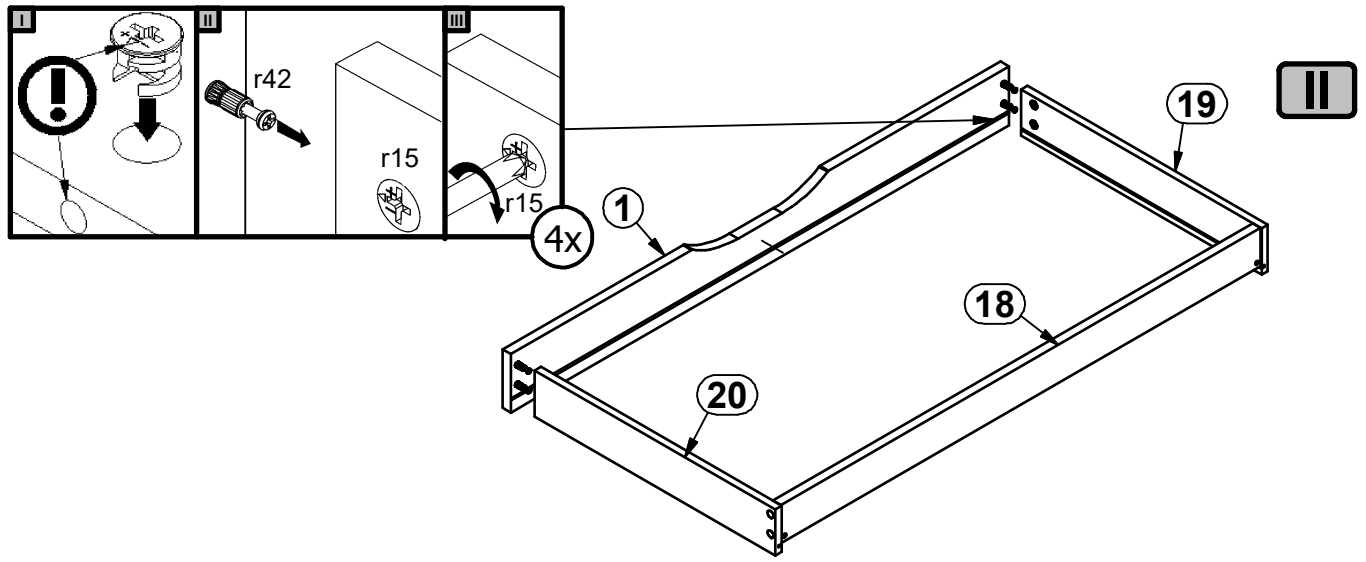
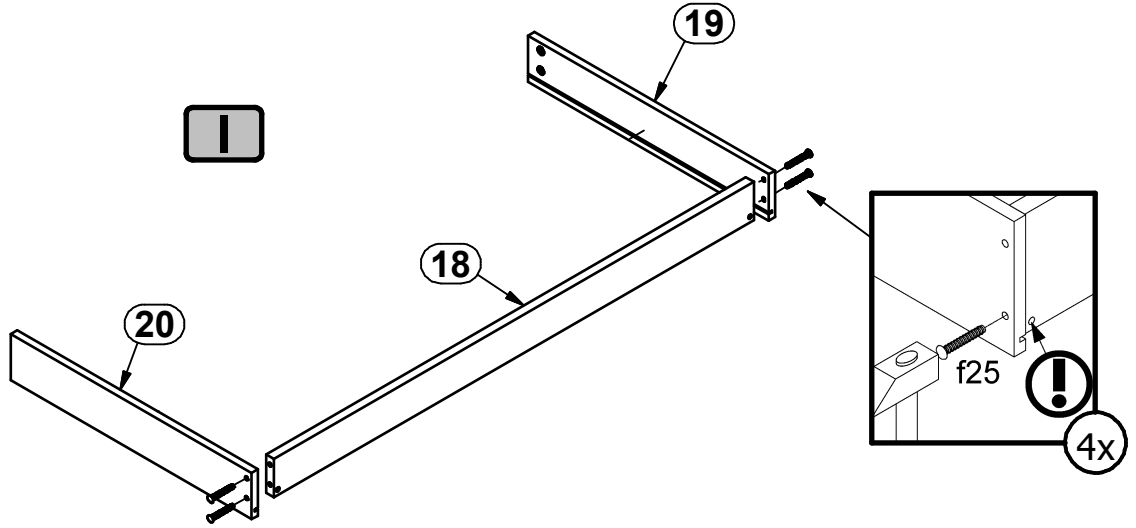
13



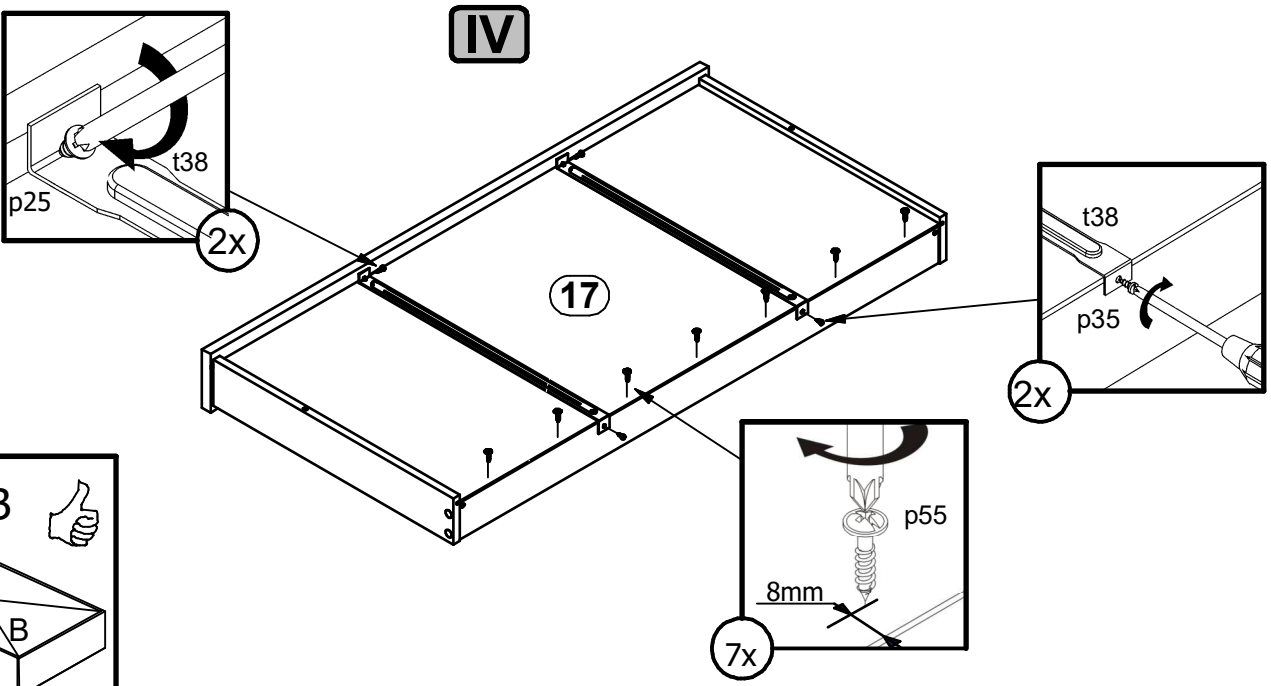
14



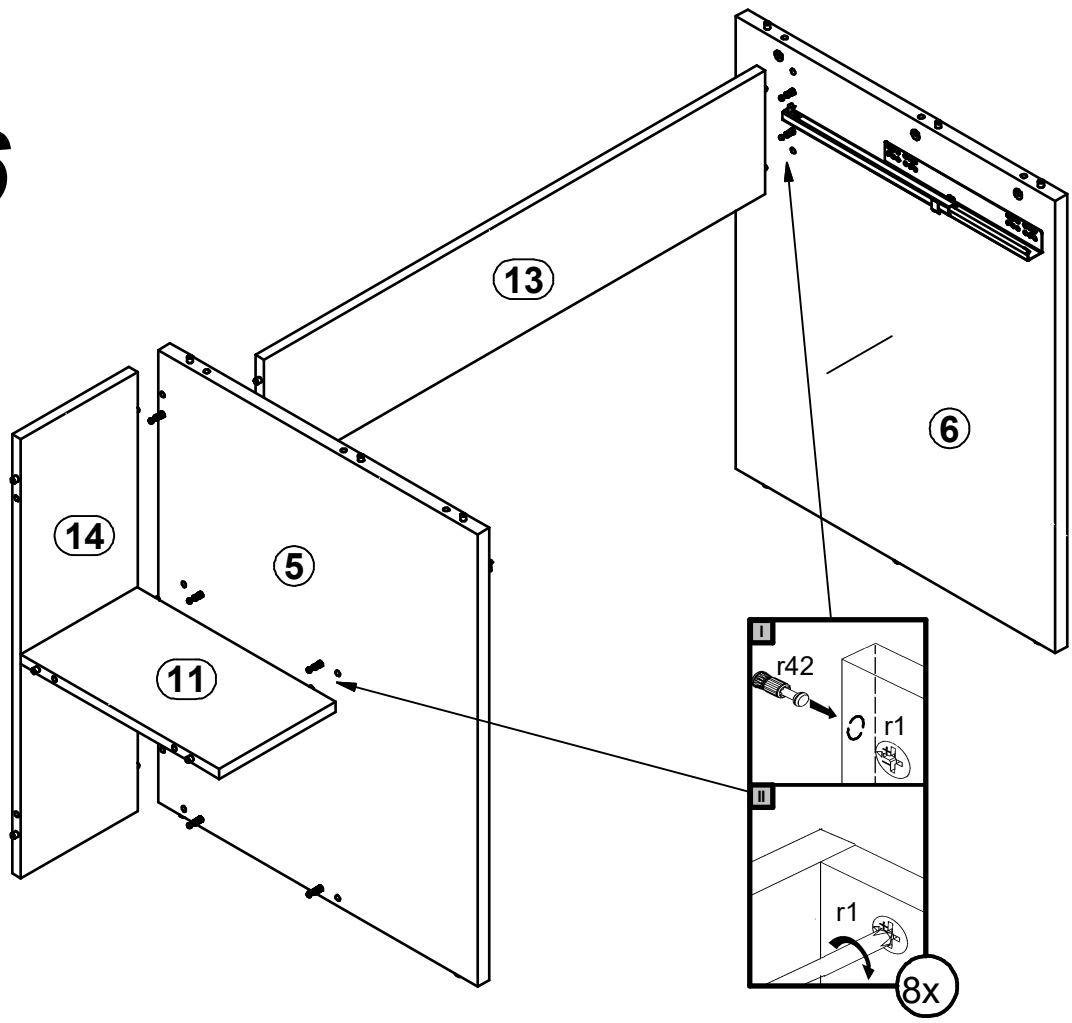
15



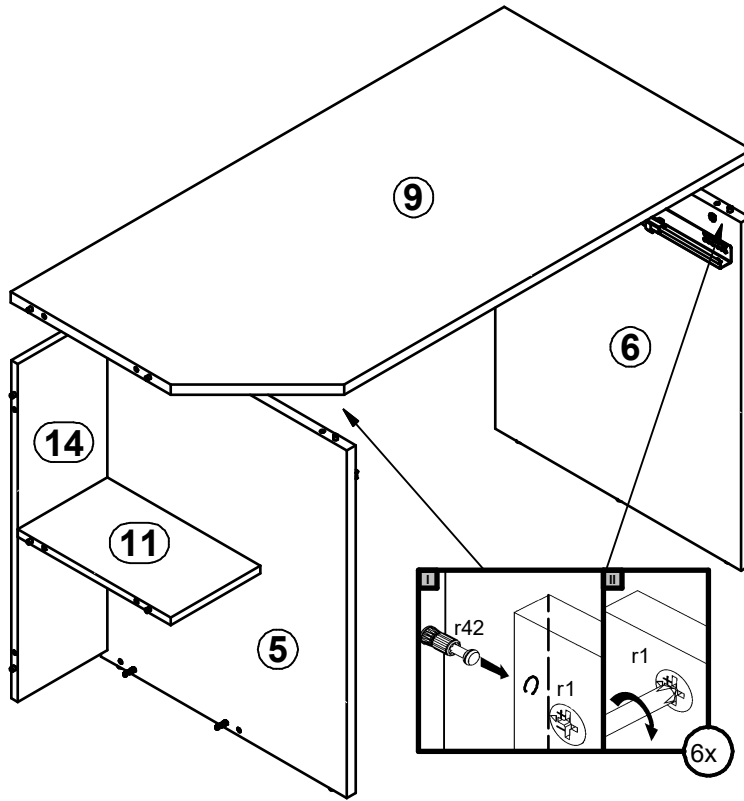
IV



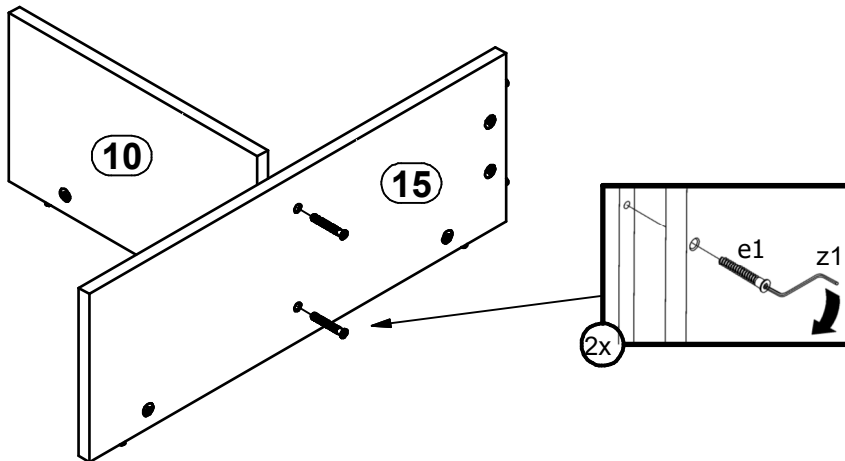
16



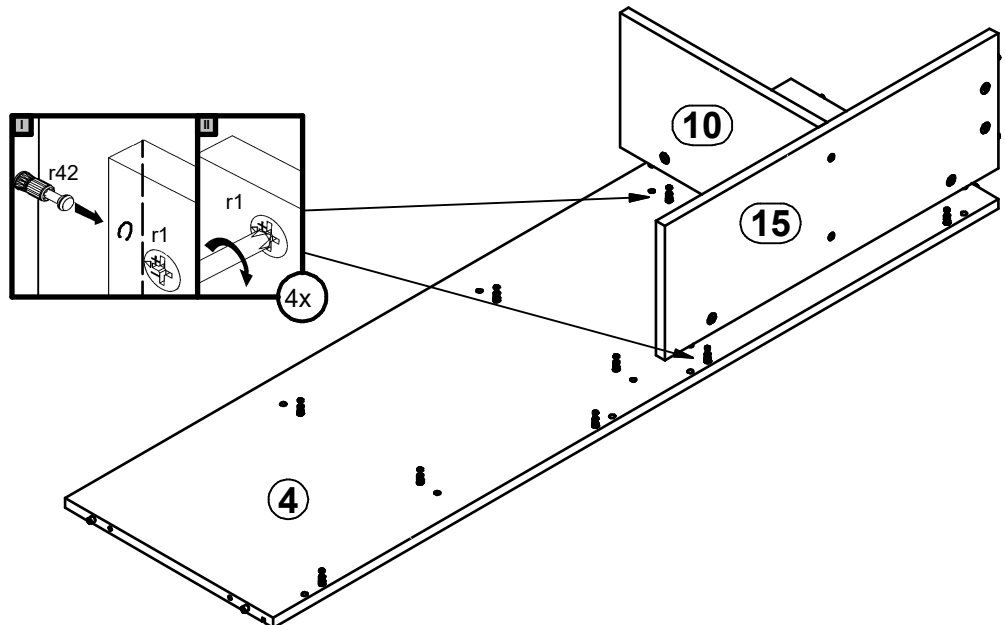
17



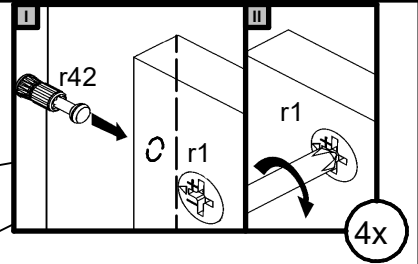
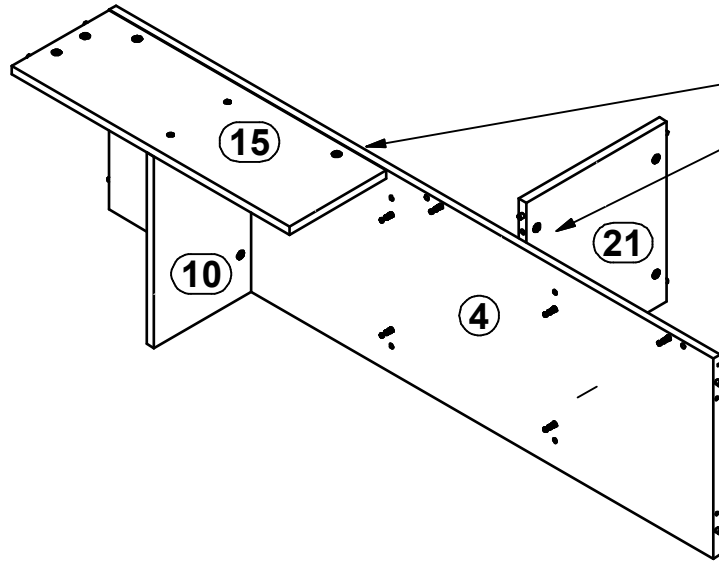
18



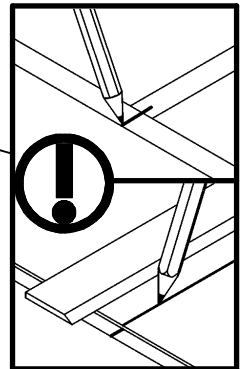
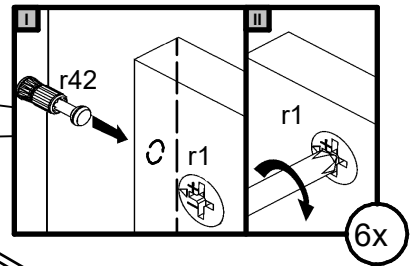
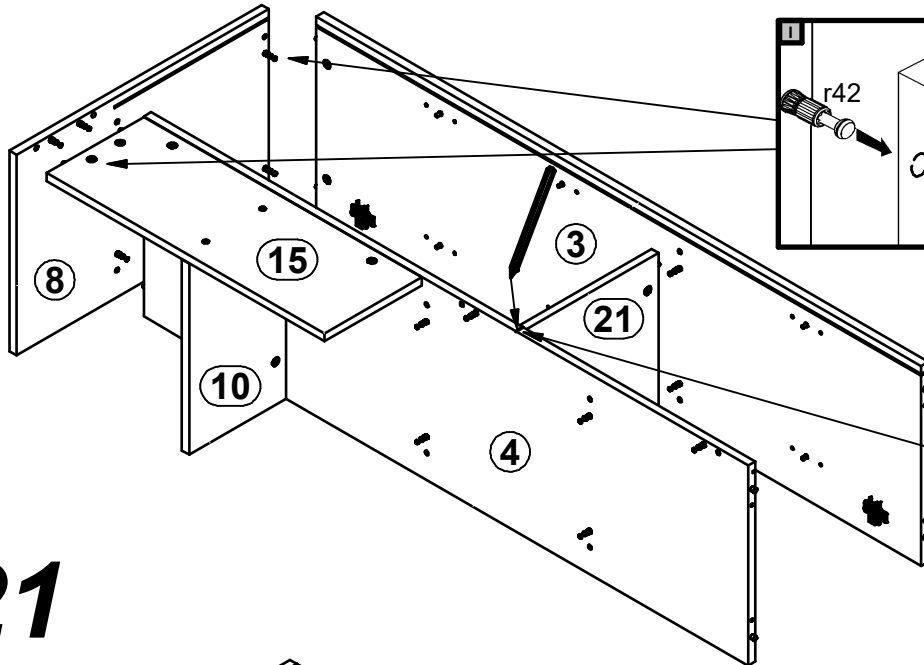
19



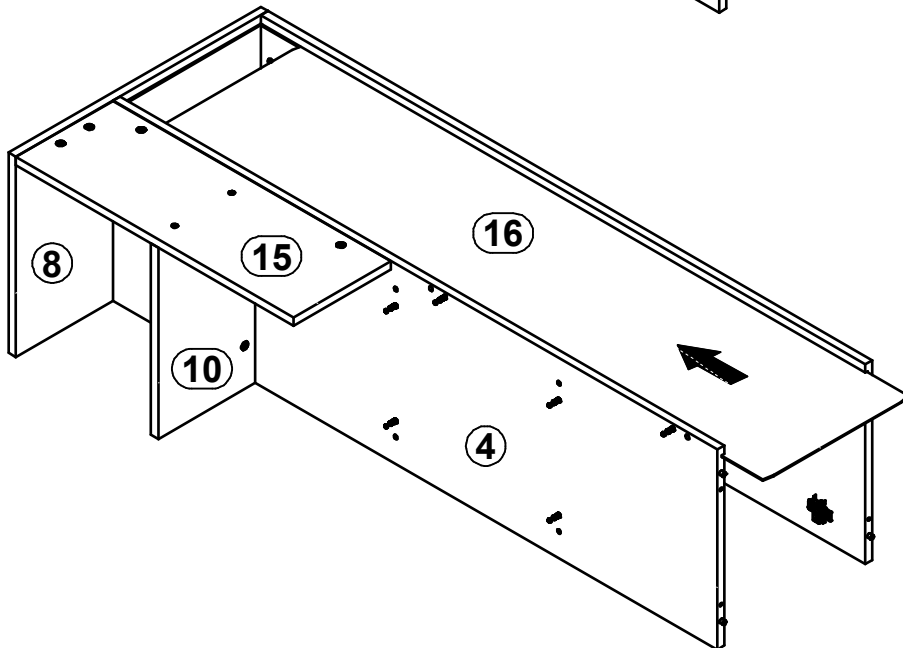
19



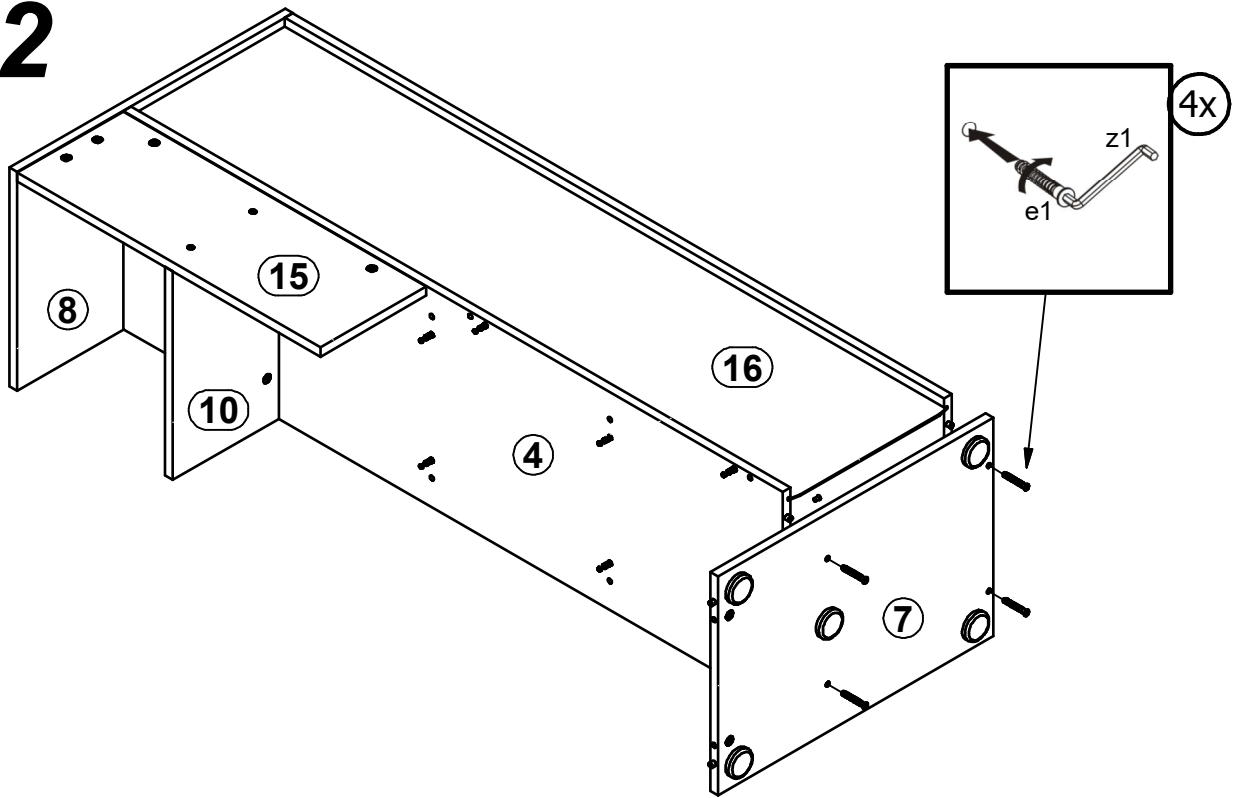
20



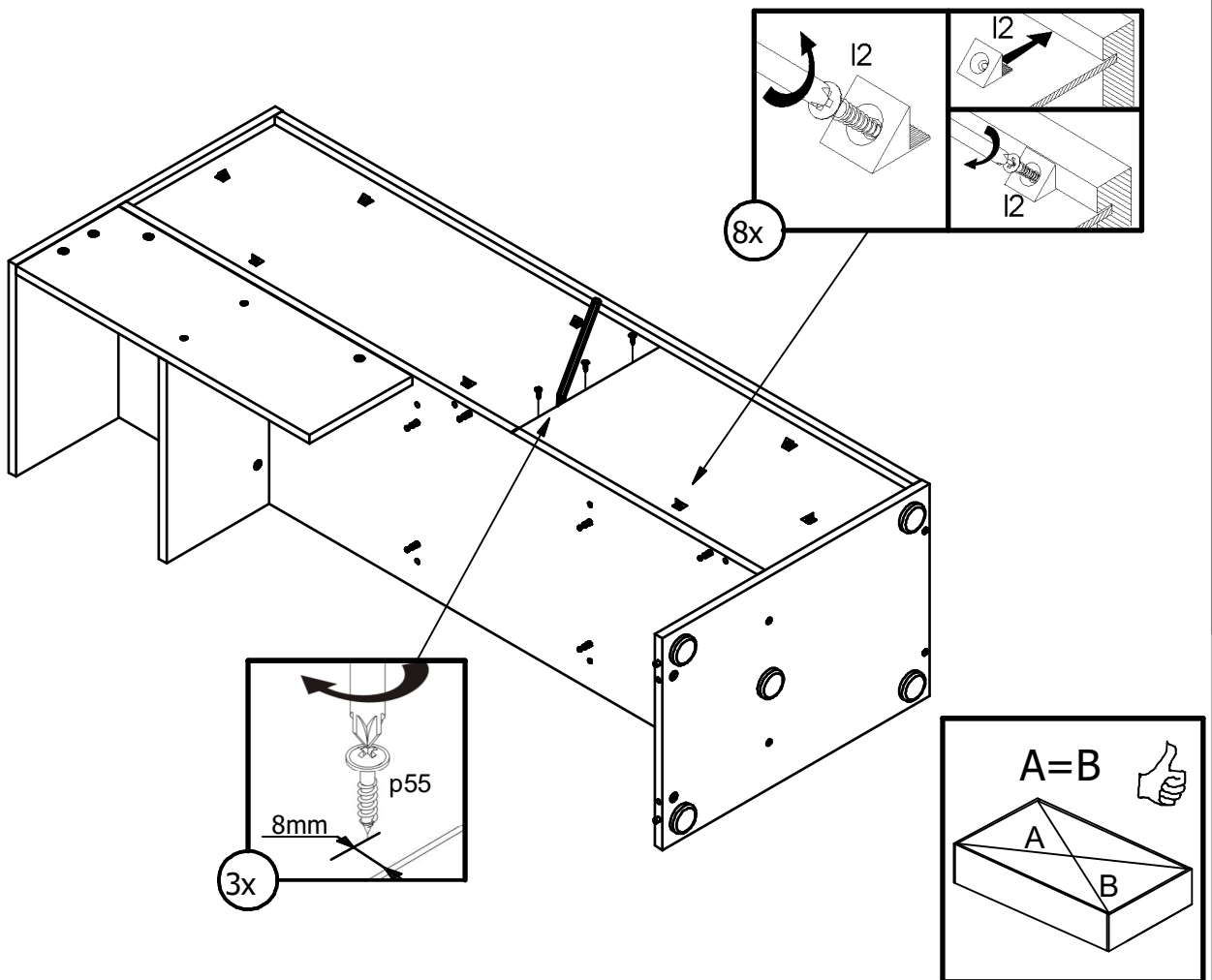
21



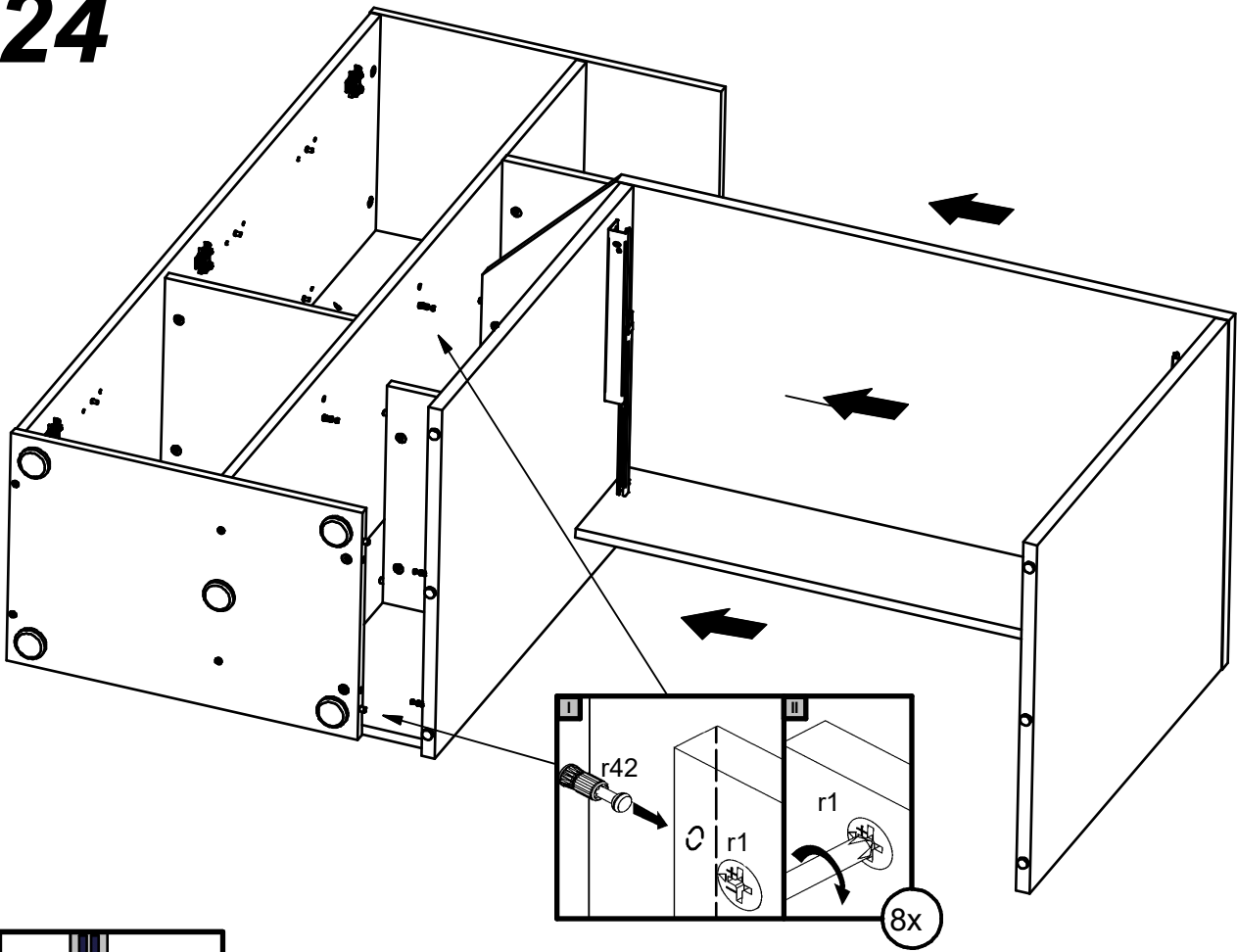
22



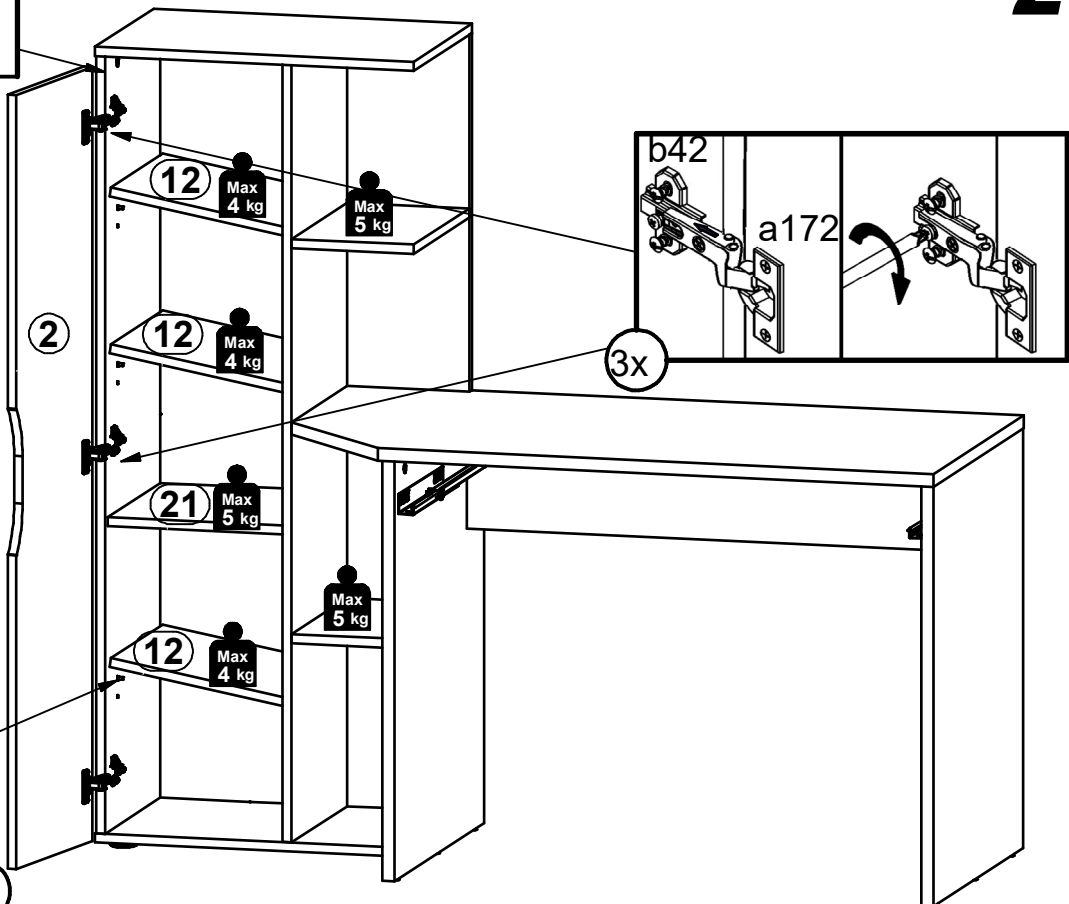
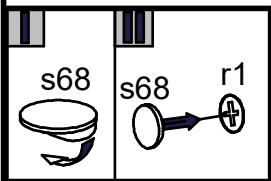
23

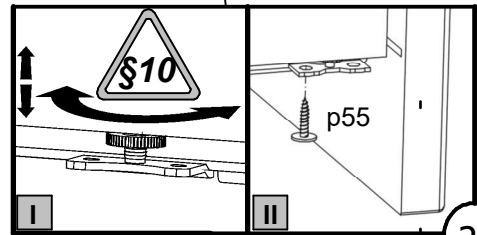
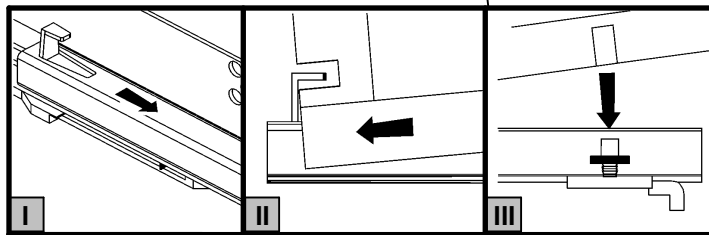
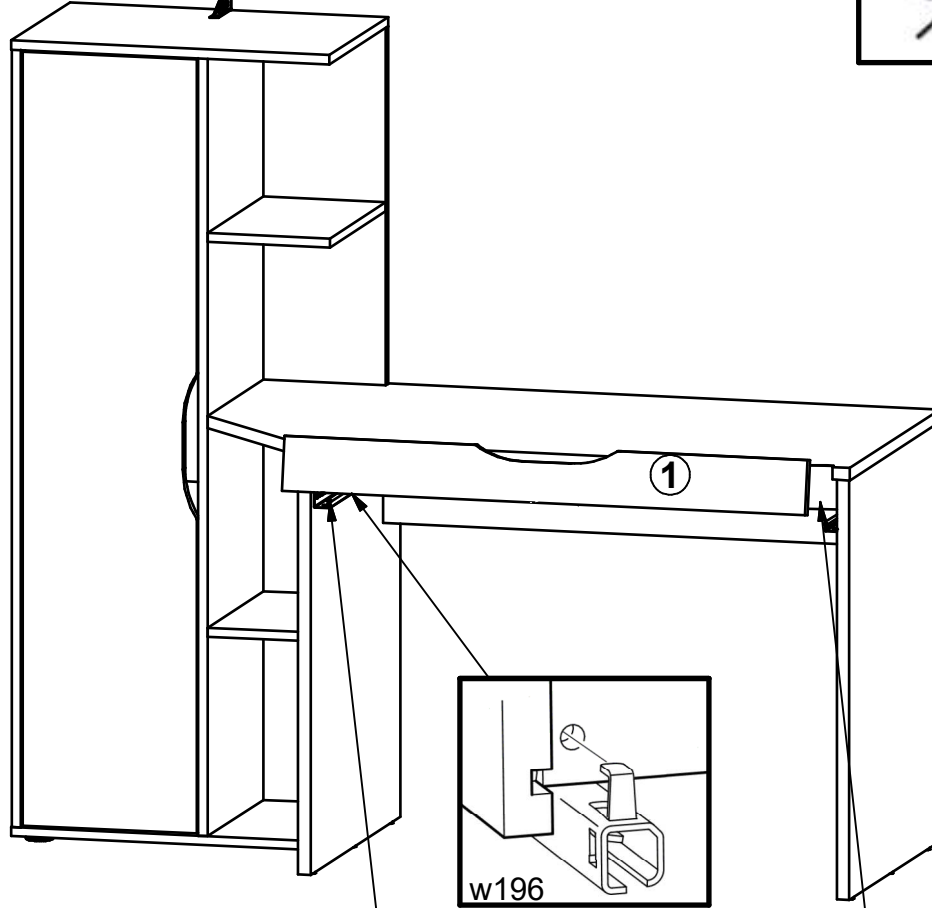
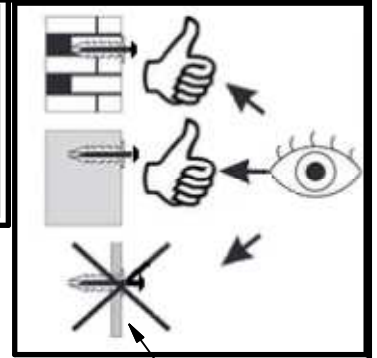
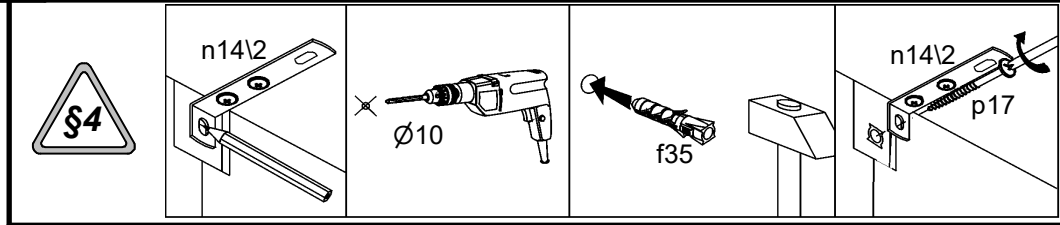


24



24





2x

