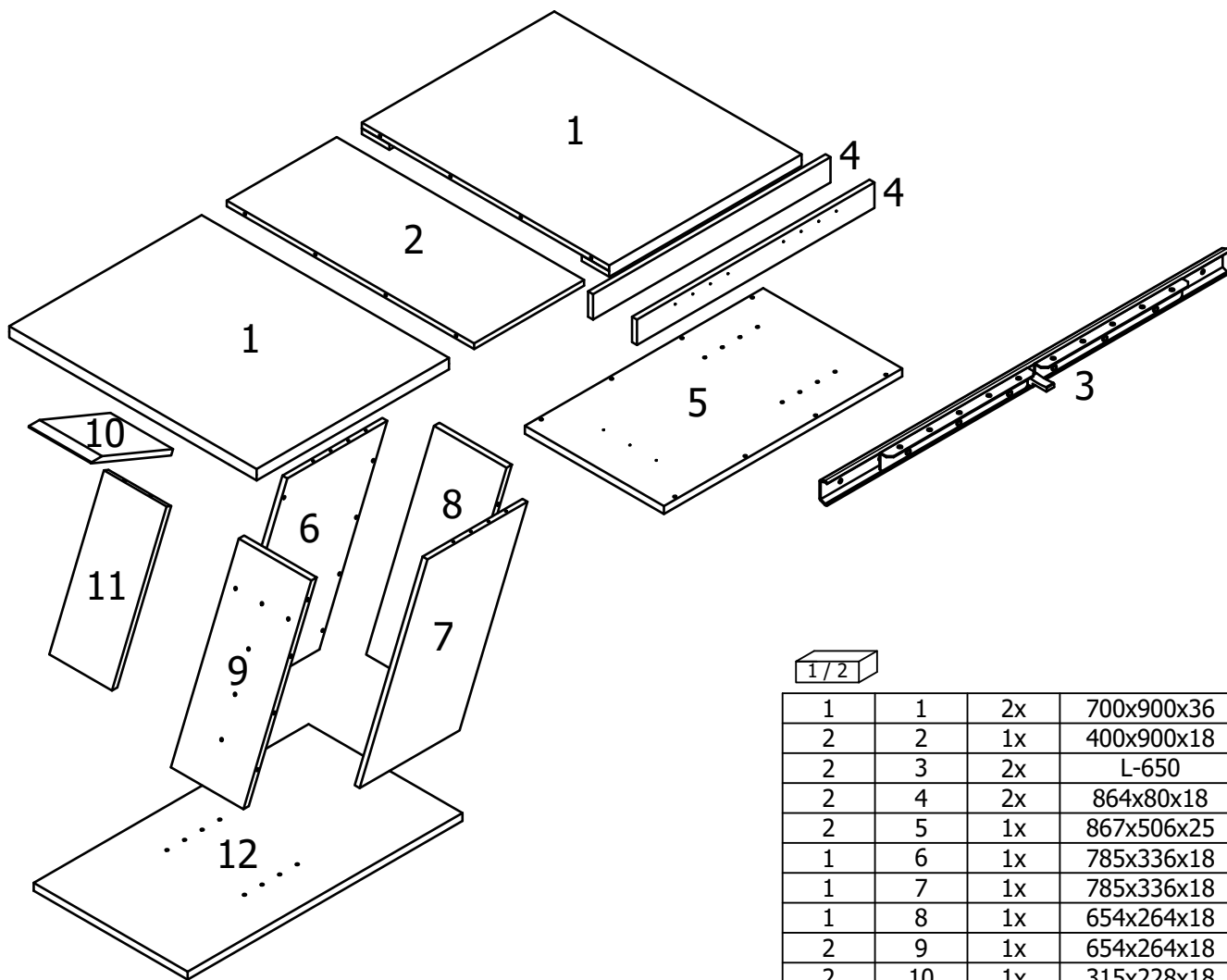
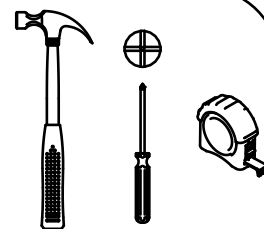
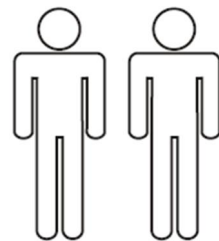
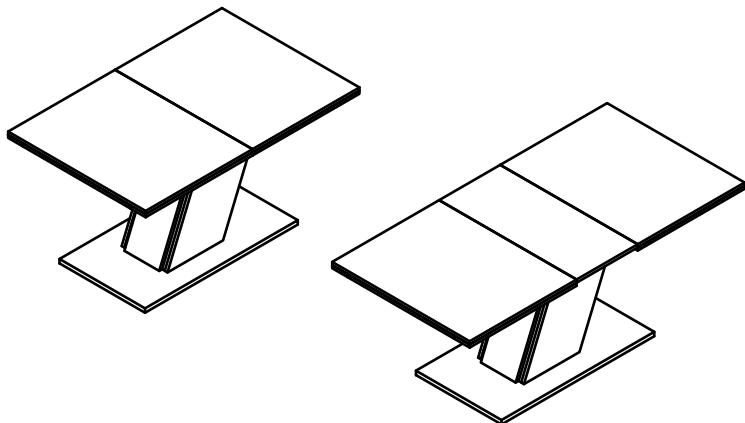
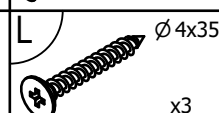
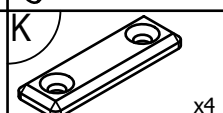
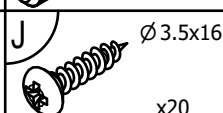
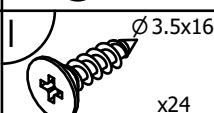
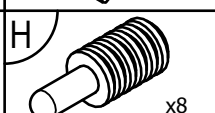
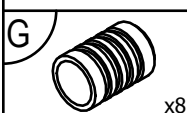
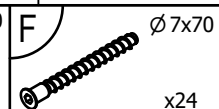
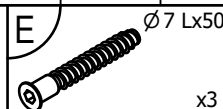
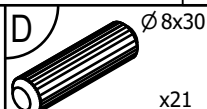
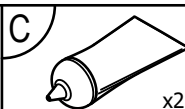
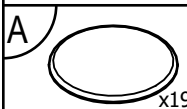


JEANETTE

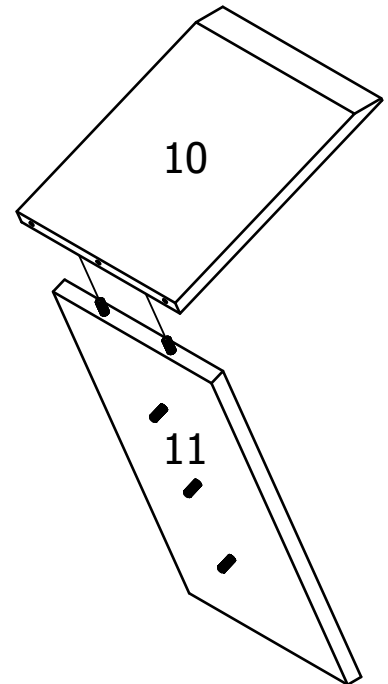
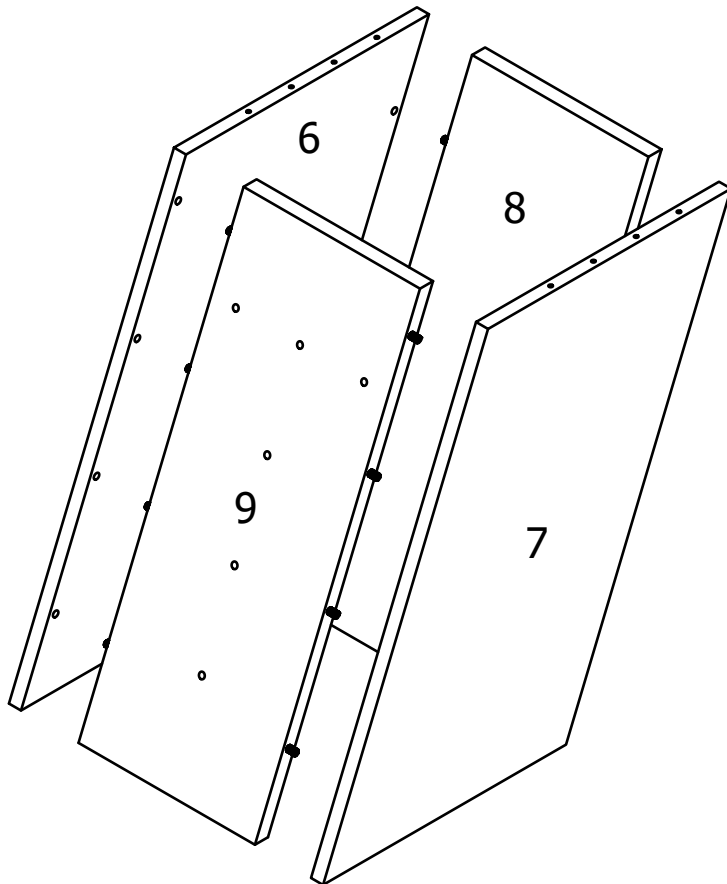
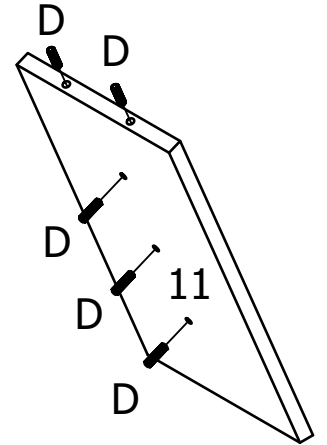
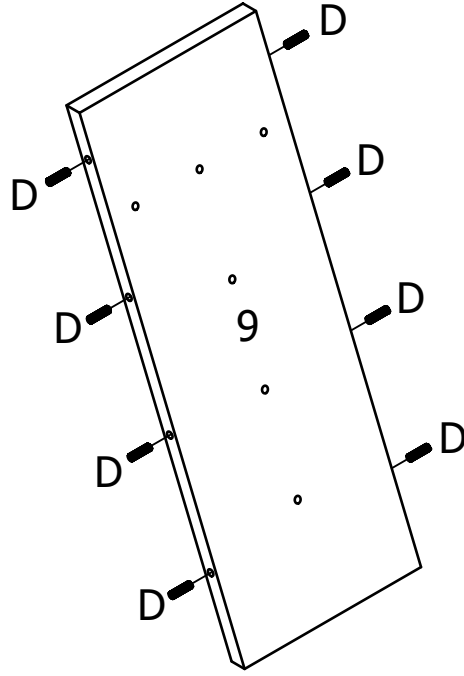
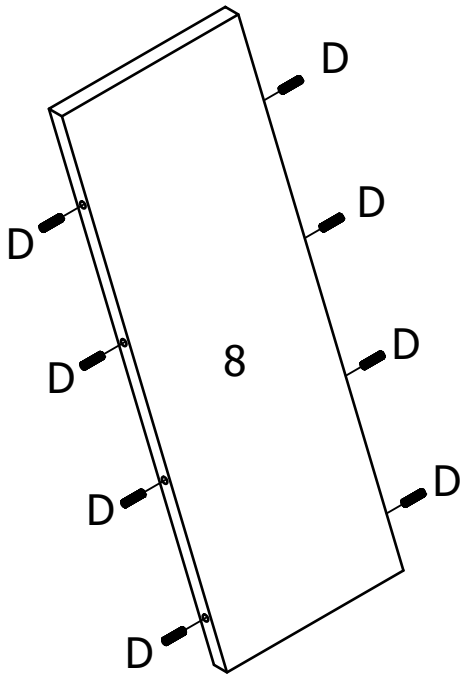
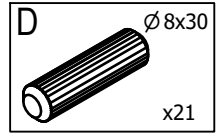
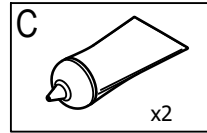


1/2

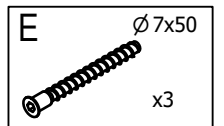
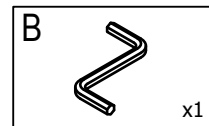
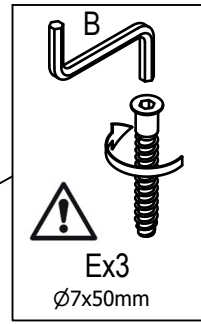
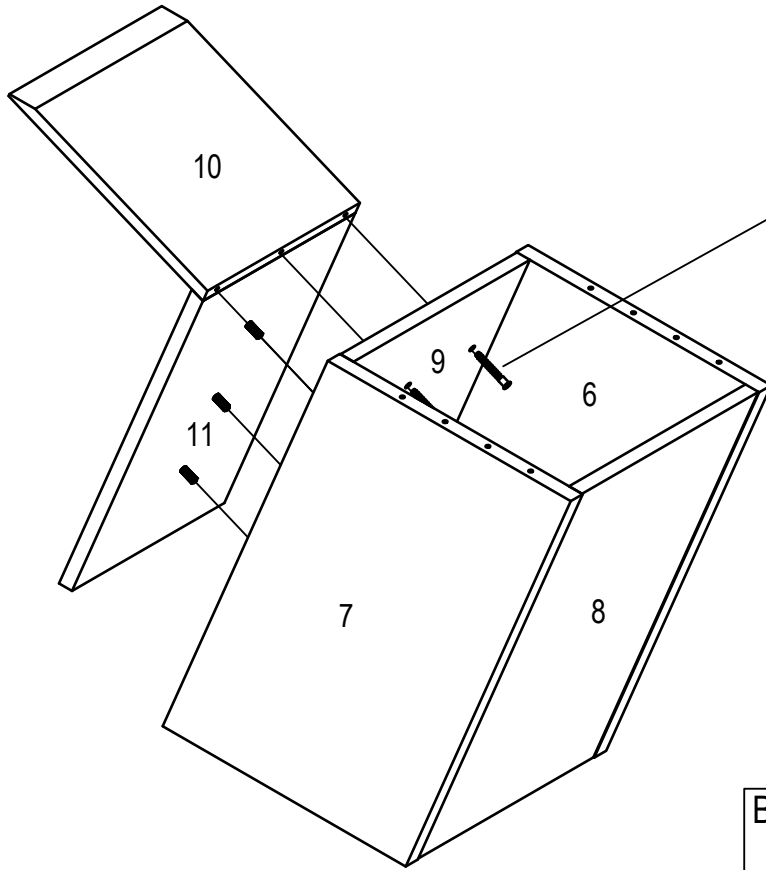
| | | | |
|---|----|----|-------------|
| 1 | 1 | 2x | 700x900x36 |
| 2 | 2 | 1x | 400x900x18 |
| 2 | 3 | 2x | L-650 |
| 2 | 4 | 2x | 864x80x18 |
| 2 | 5 | 1x | 867x506x25 |
| 1 | 6 | 1x | 785x336x18 |
| 1 | 7 | 1x | 785x336x18 |
| 1 | 8 | 1x | 654x264x18 |
| 2 | 9 | 1x | 654x264x18 |
| 2 | 10 | 1x | 315x228x18 |
| 2 | 11 | 1x | 520x228x18 |
| 2 | 12 | 1x | 1000x560x25 |



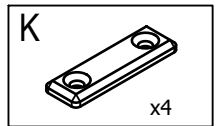
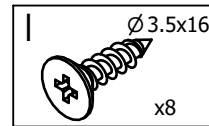
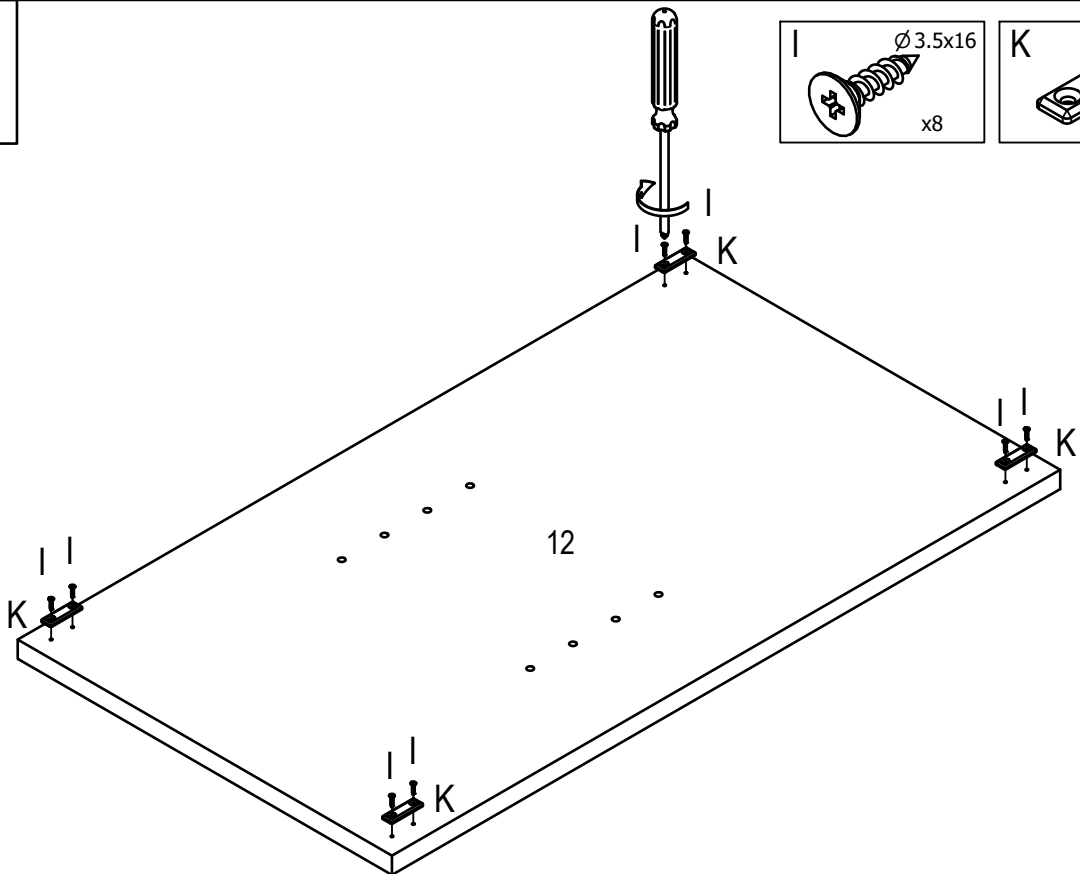
I.



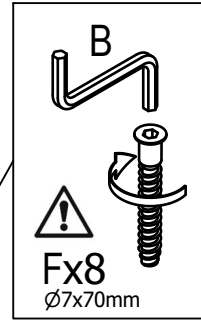
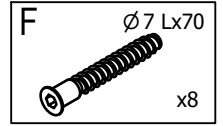
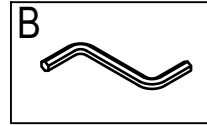
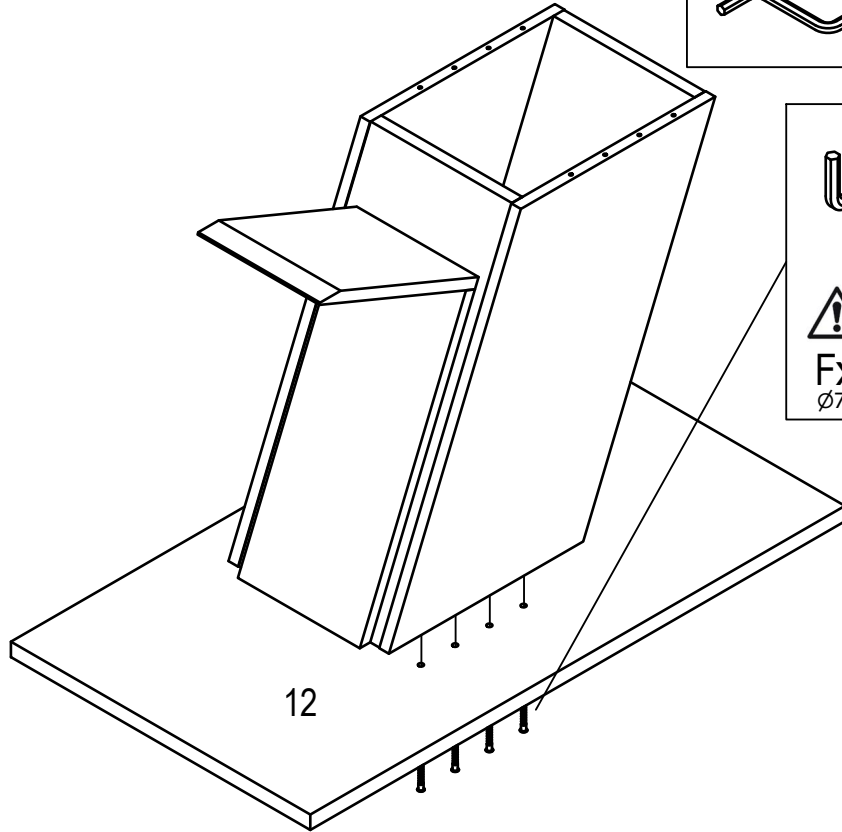
II.



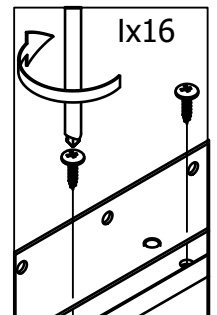
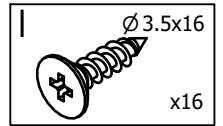
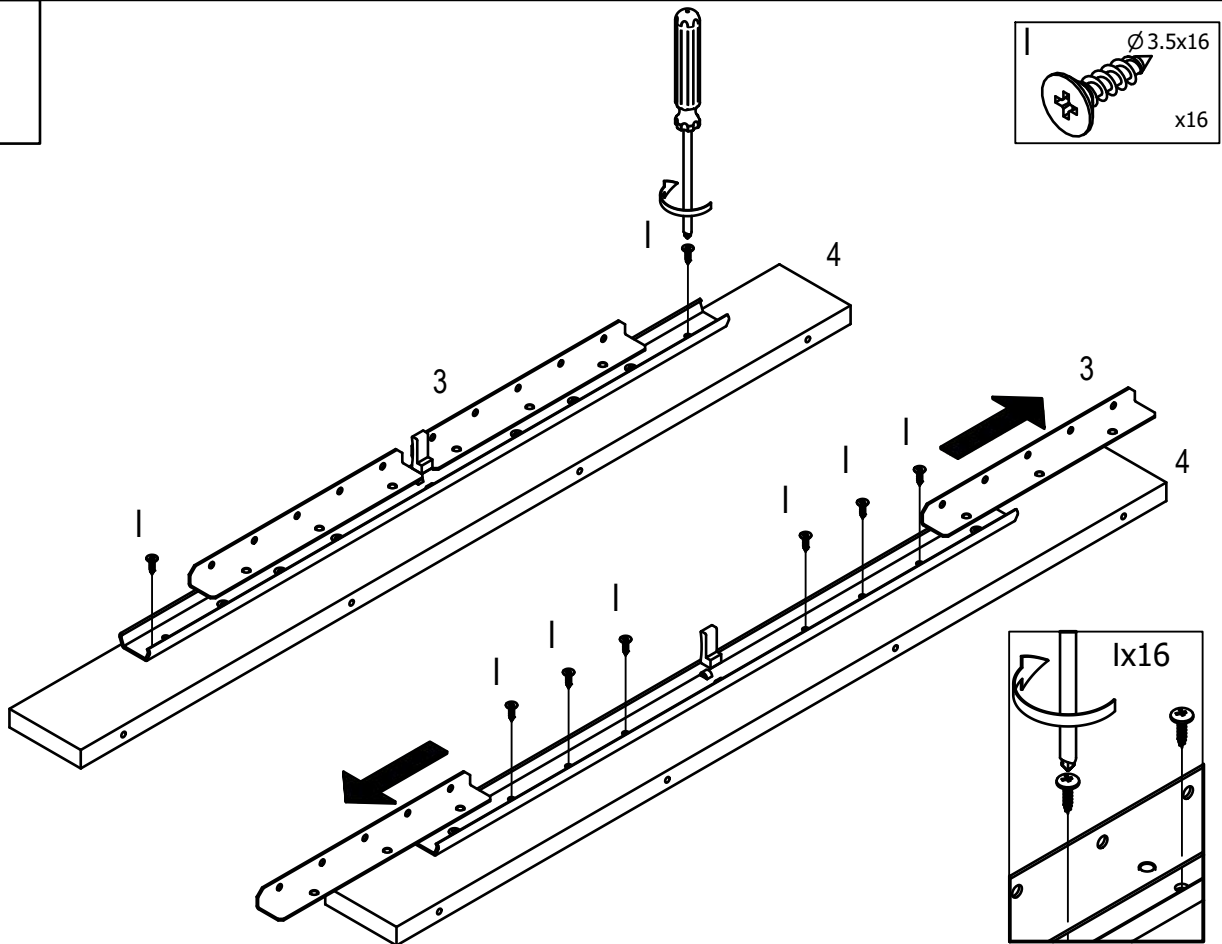
III.



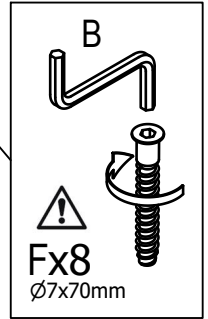
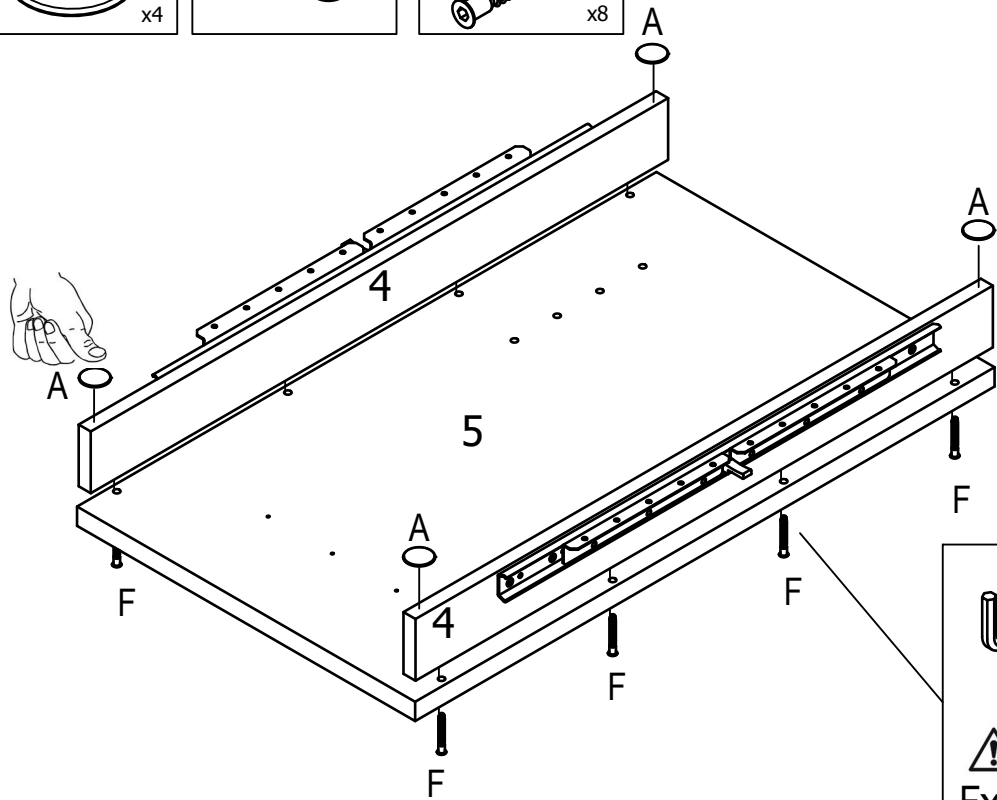
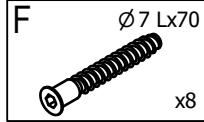
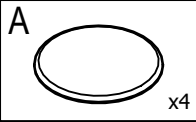
IV.



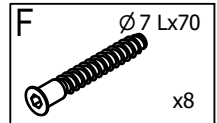
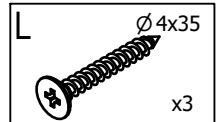
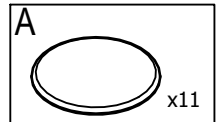
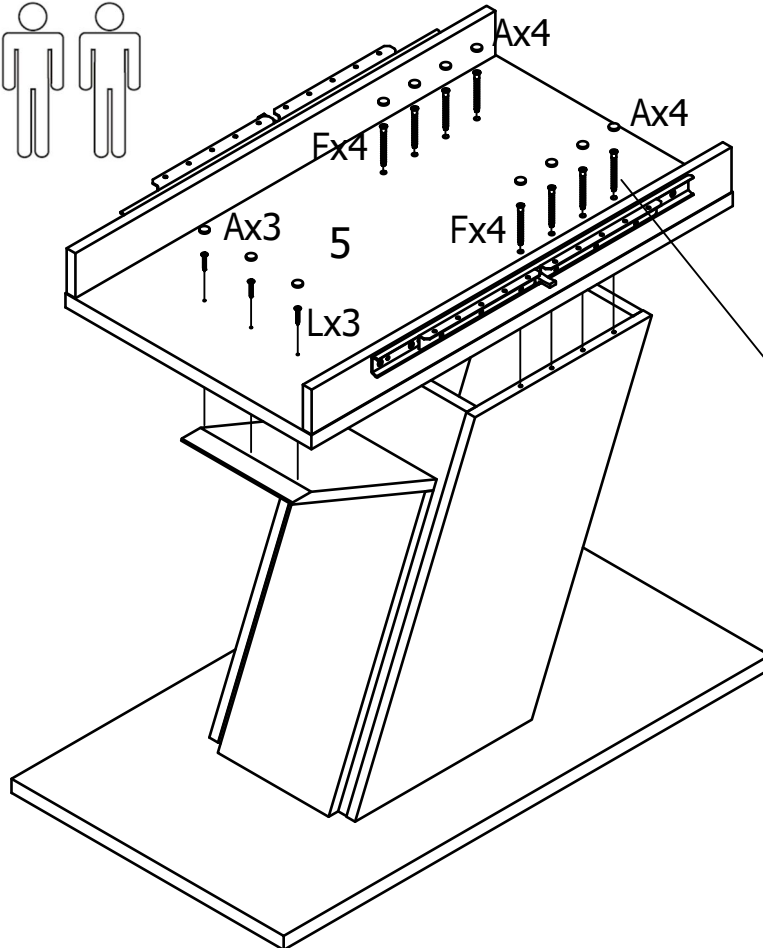
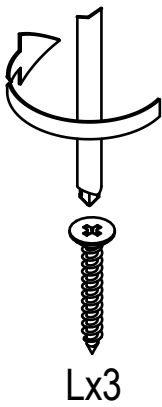
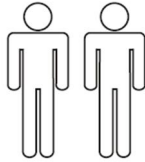
V.



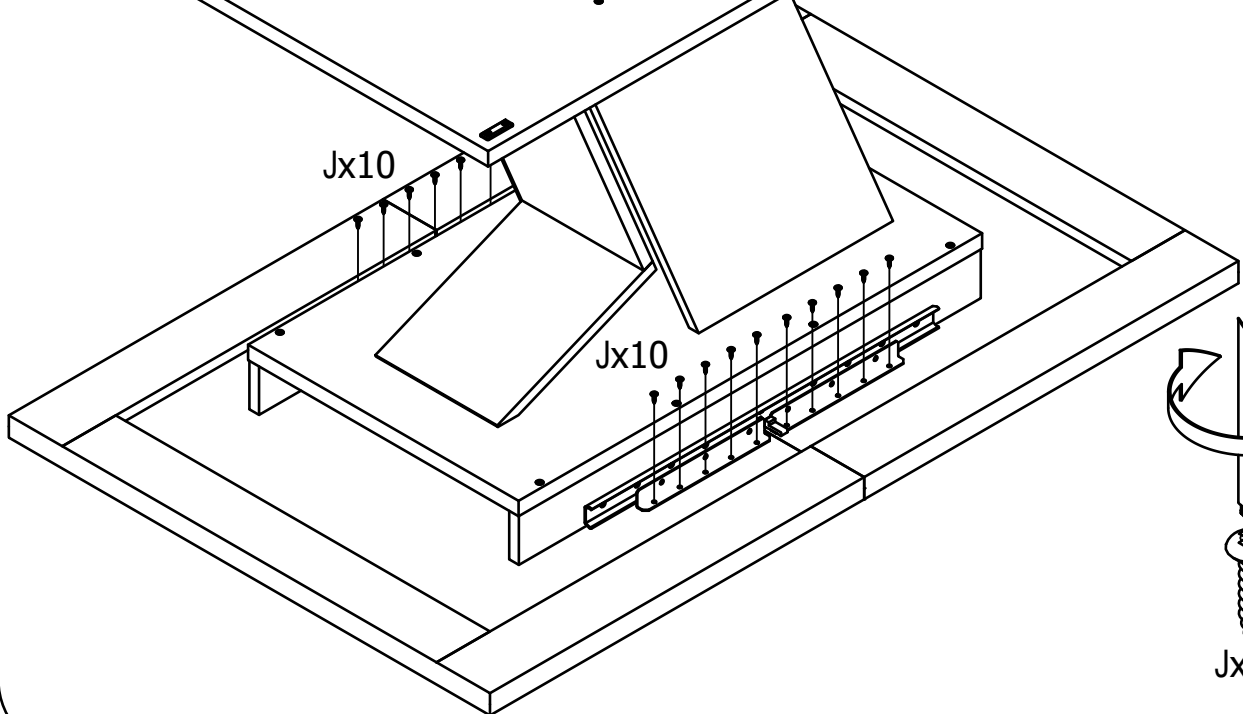
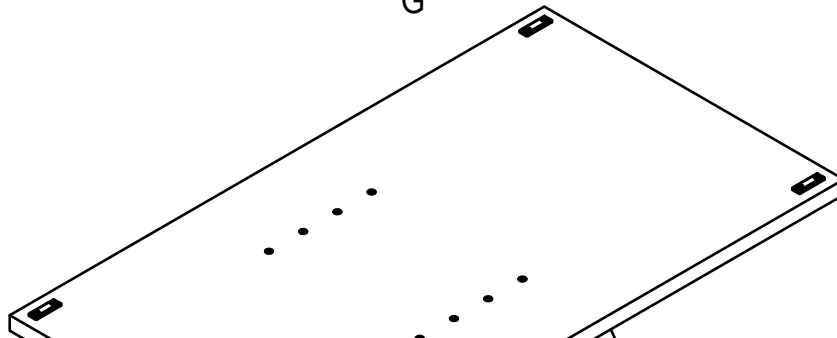
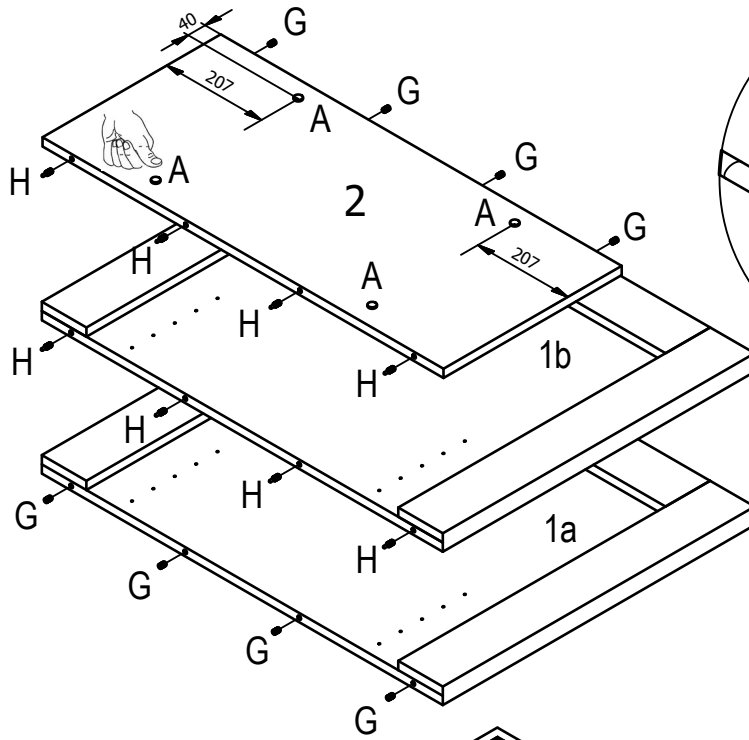
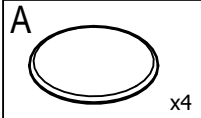
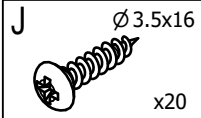
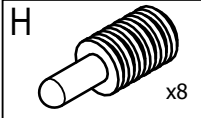
VI.



VII.



VIII.



IX.

