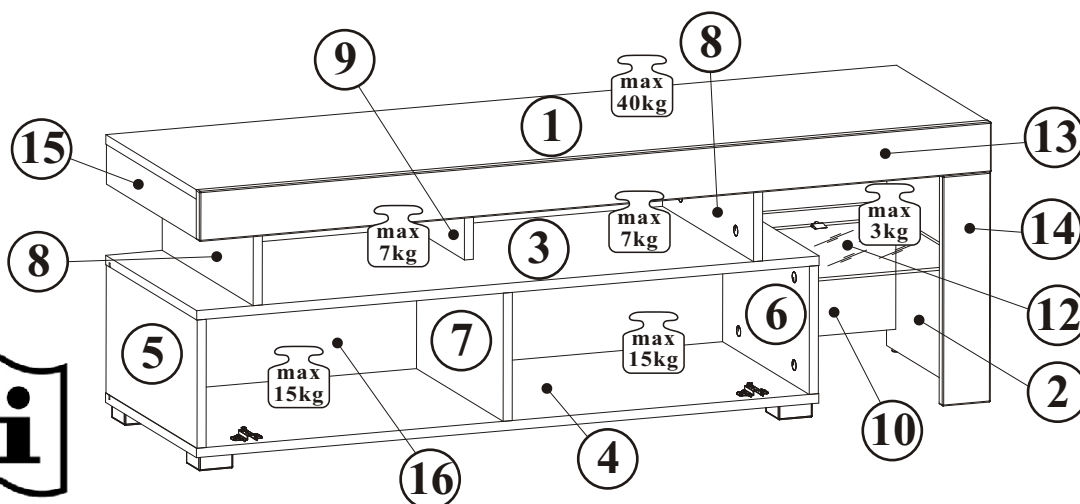
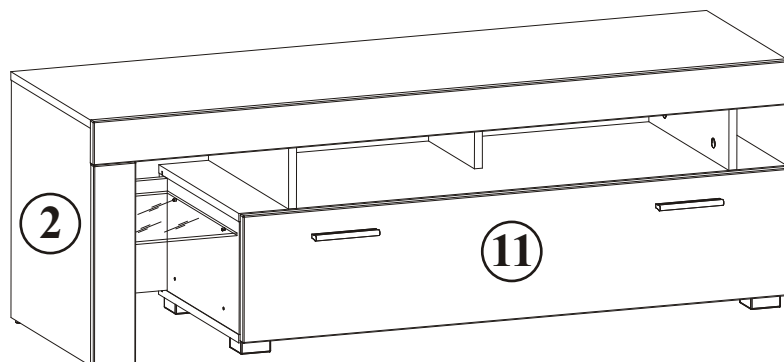
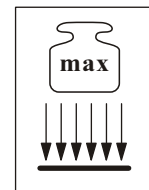
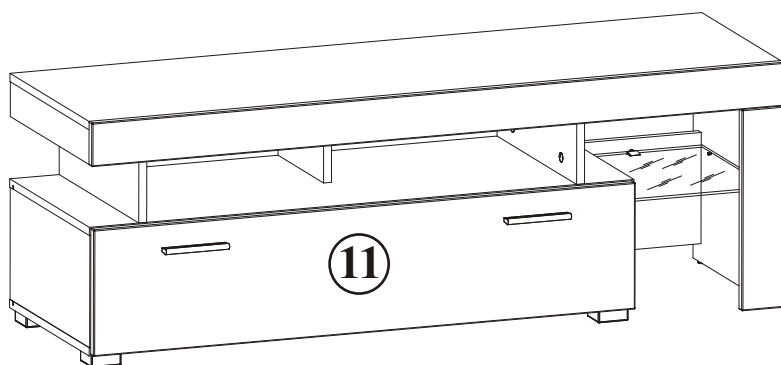
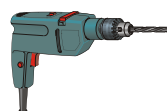


SCORE - TV LOWBOARD - 83-150__

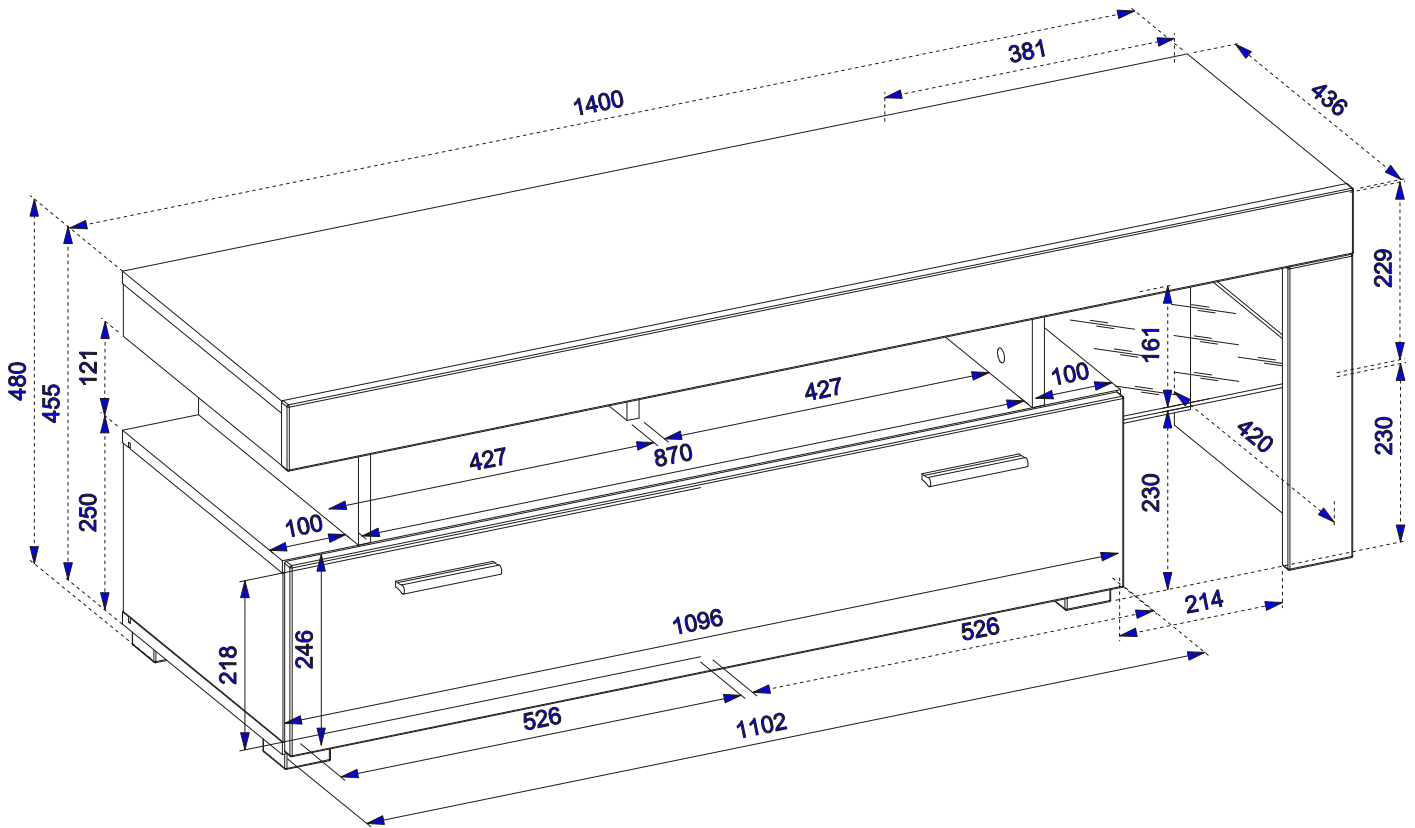


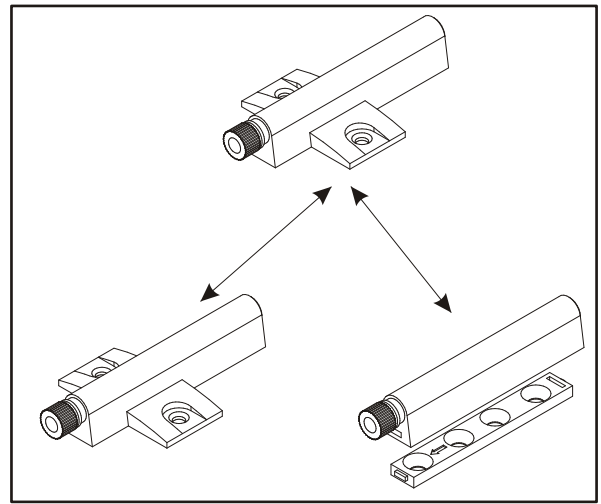
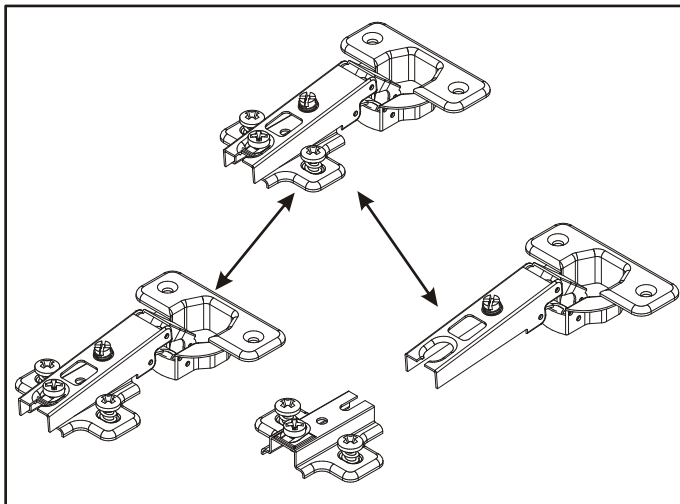
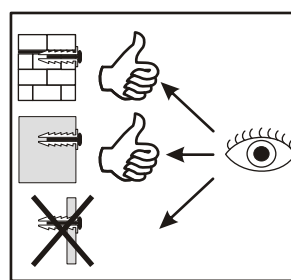
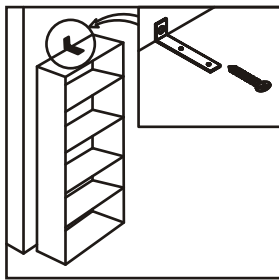
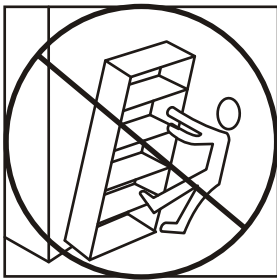
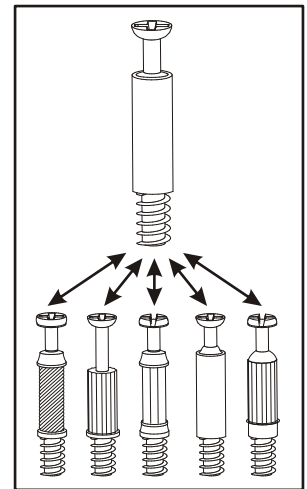
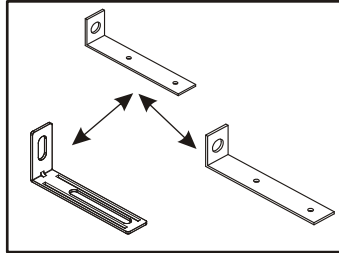
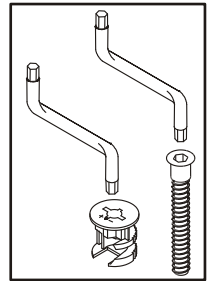
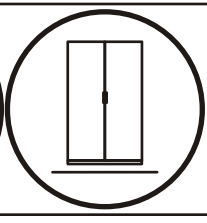
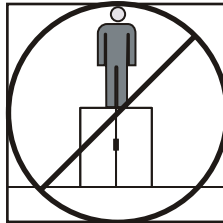
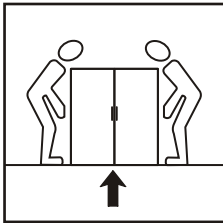
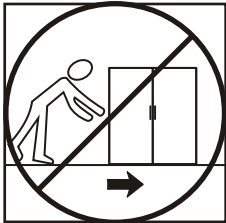
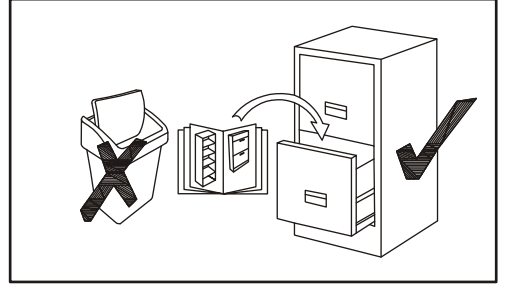
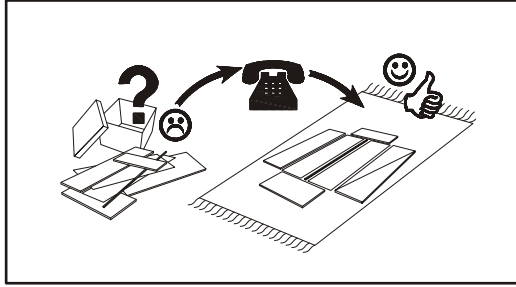
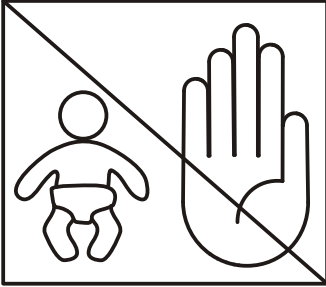
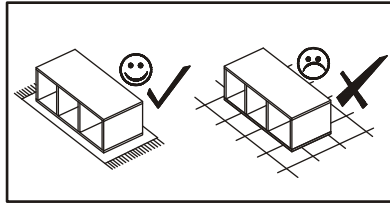
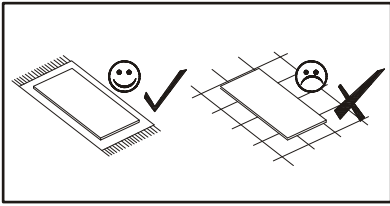
Č.	Rozměry/Rozmery			Č.bal.	Ks
1	1400	420	16	2	1
2	459	420	16	1	1
3	1102	420	16	2	1
4	1102	420	16	2	1
5	218	420	16	1	1
6	218	420	16	1	1
7	218	400	16	1	1
8	189	420	16	1	2
9	189	240	16	1	1
10	216	282	16	1	1
11	1096	246	16	2	1
12	281	362	5	1	1
13	1402	85	16	2	1
14	391	85	16	2	1
15	420	68	16	2	1
16	1080	230	3	2	1



90 min

SCORE - TV LOWBOARD - 83-150



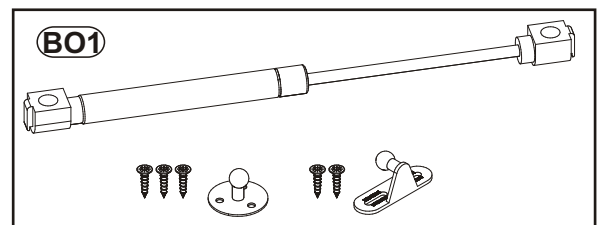
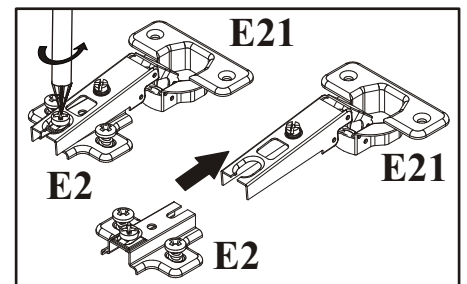


A1 x34 Ø8x36	B4 x39 34	B5 x39 Ø15x12	G5 x39	G20 x4	E21 x2 Ø35 H=0
E2 x2 H=0	KL x2	UP6 x4 UPØ4x30	BO1 x1	KR1 x1 Ø8	L1 x1
S1 x10	I2 x2	ST3 x5 60x60x25	D6 x10 USØ3,5x30	D10 x11 USØ3,5x13	UP13 x2 UPØ3x16
CL x2	G8 x2 Ø20	Z2 x4 Ø5	Z4 x2 Ø8	G2 x1	

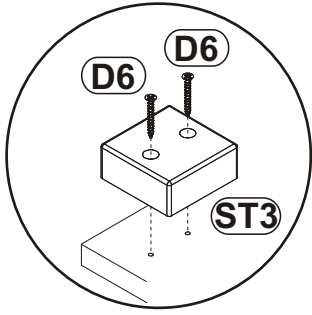
UL2

x1

1X1 L=850mm



1

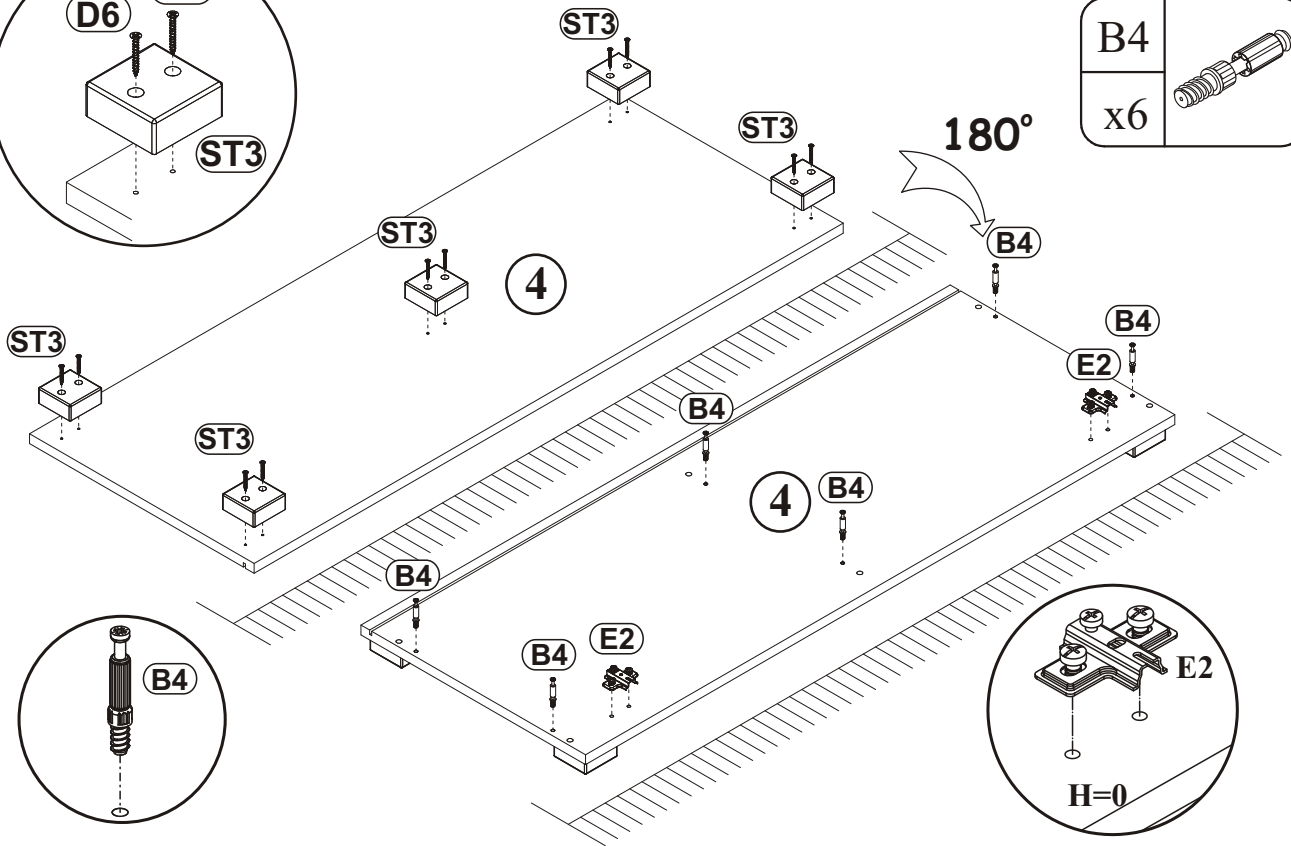


E2	
x2	H=0

ST3	
x5	60x60x25

D6	
x10	USØ3,5x30

B4	
x6	

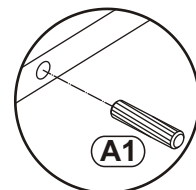
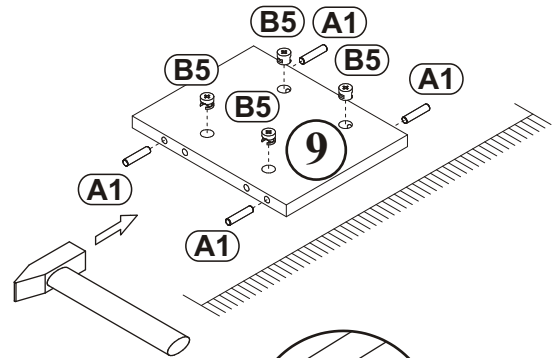
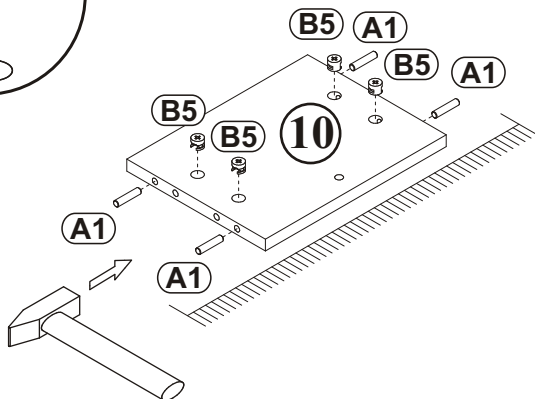
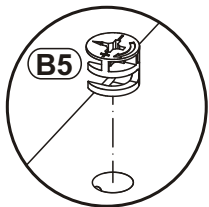
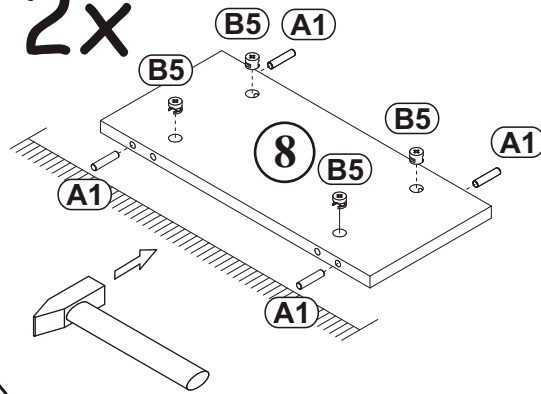


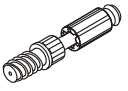
2

2x

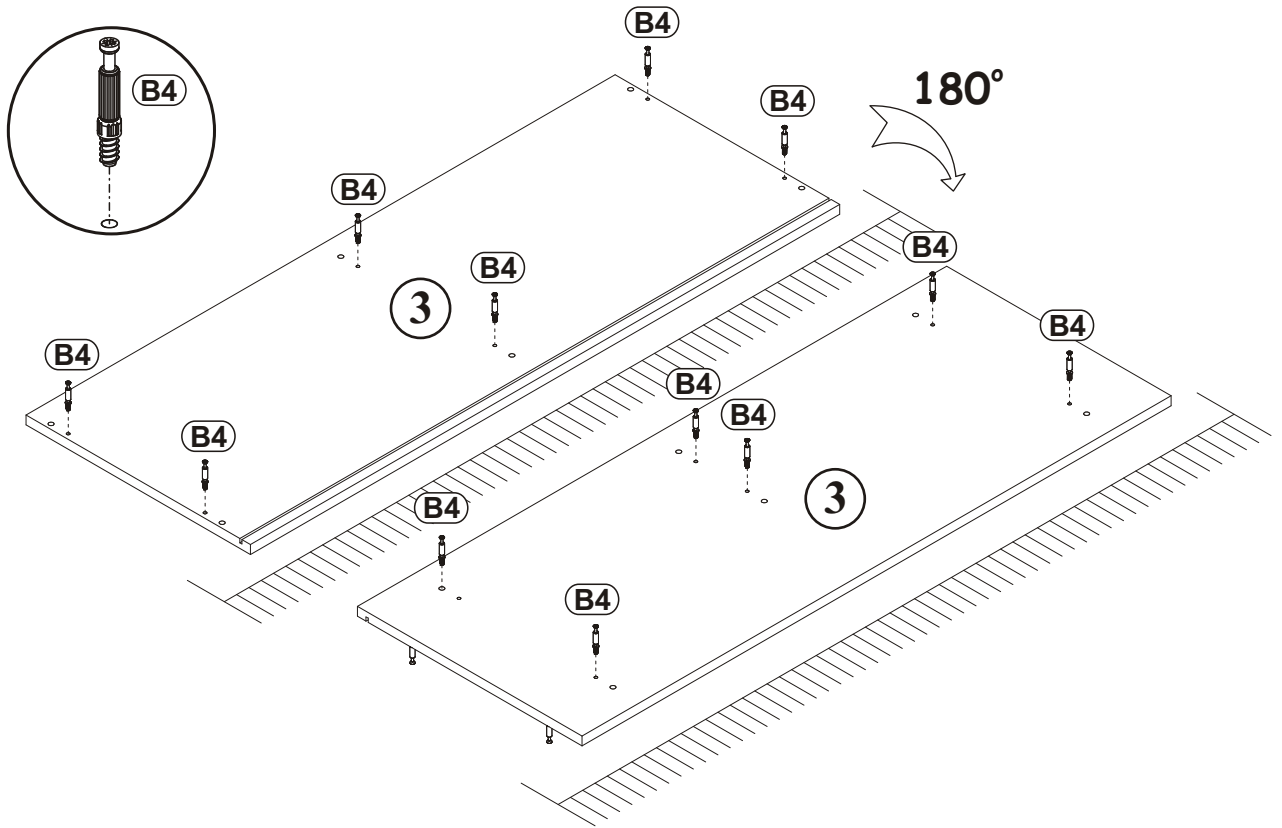
B5	
x16	Ø15x12

A1	
x16	Ø8x36

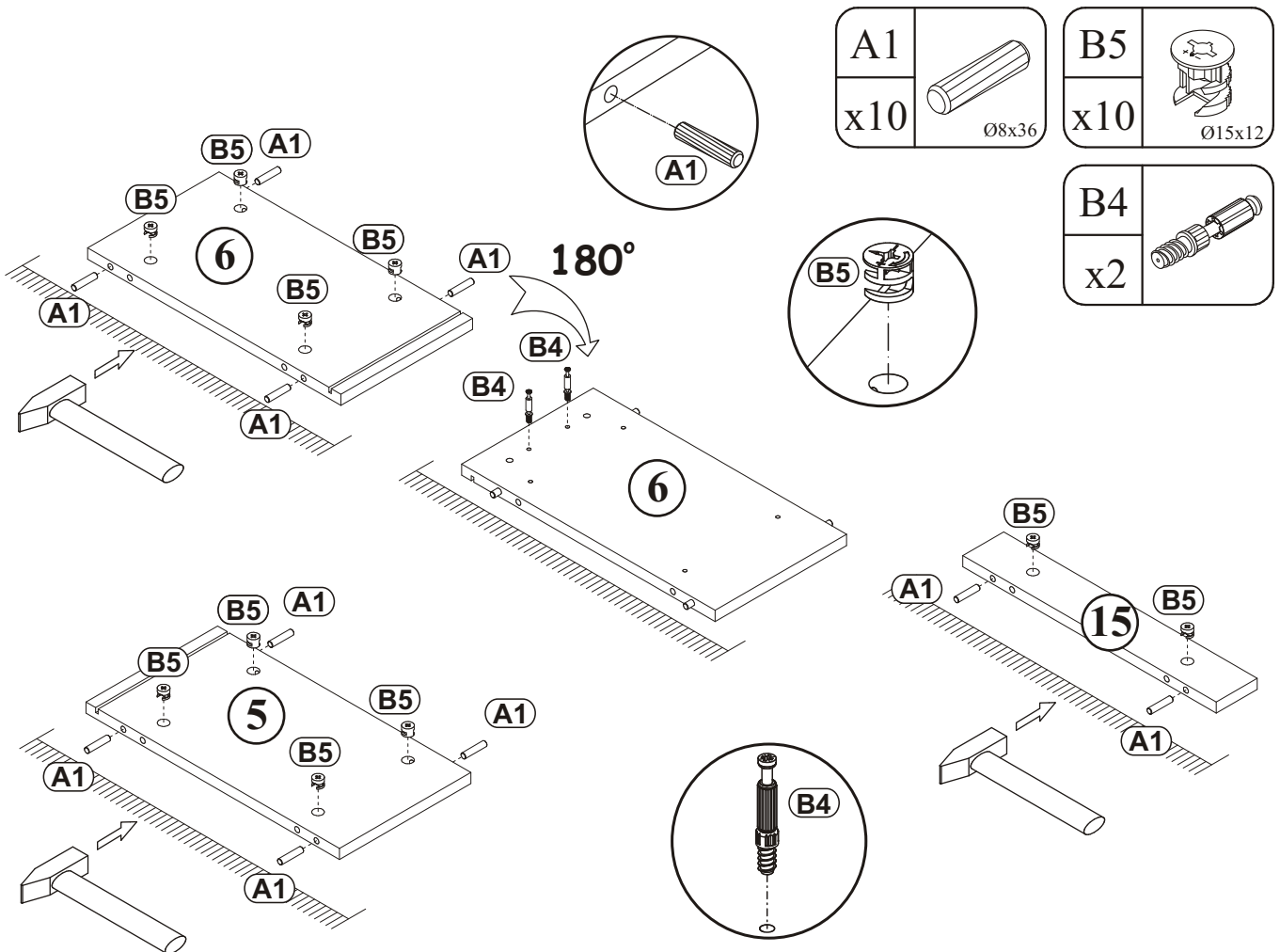


B4	
x12	


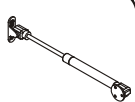
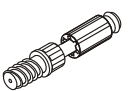
3

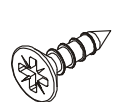
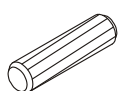


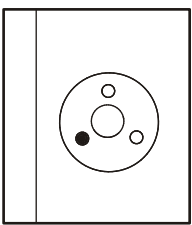
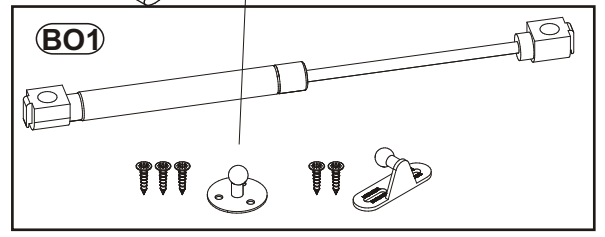
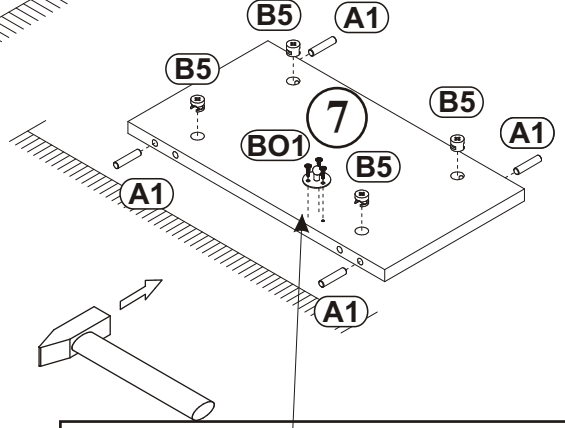
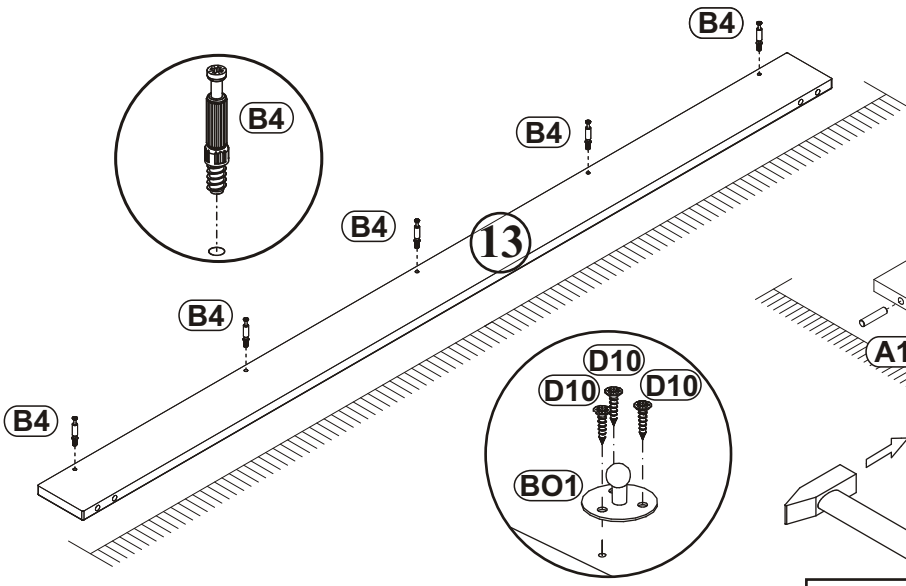
4



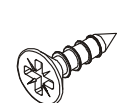
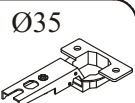
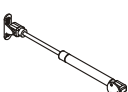
5

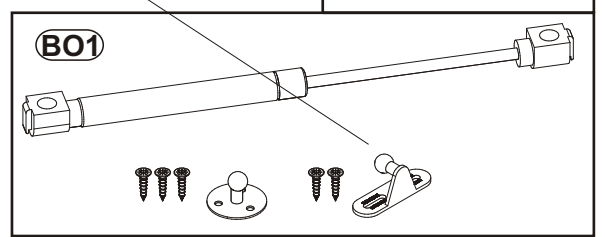
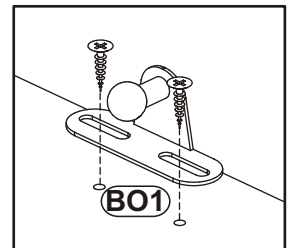
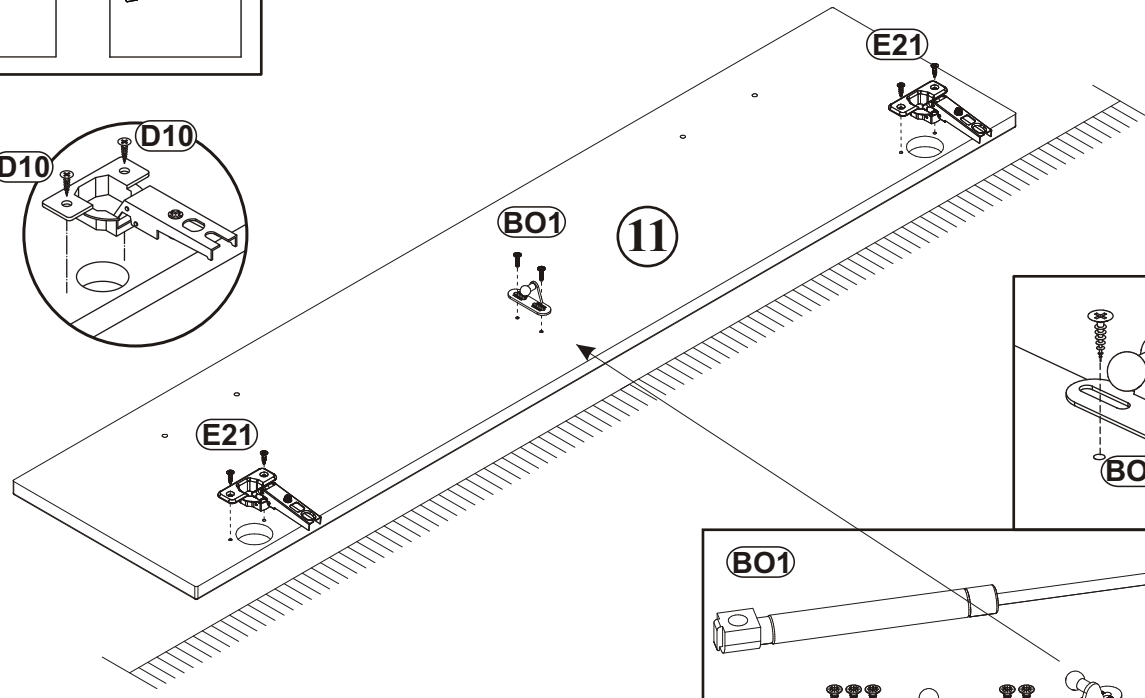
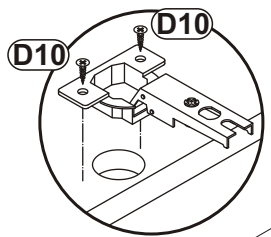
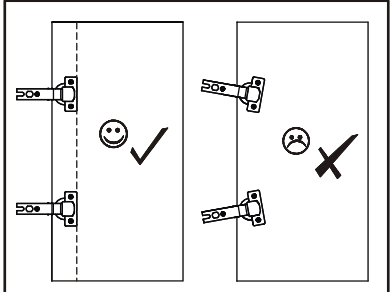
B5		BO1		B4	
x4	Ø15x12	x1		x5	

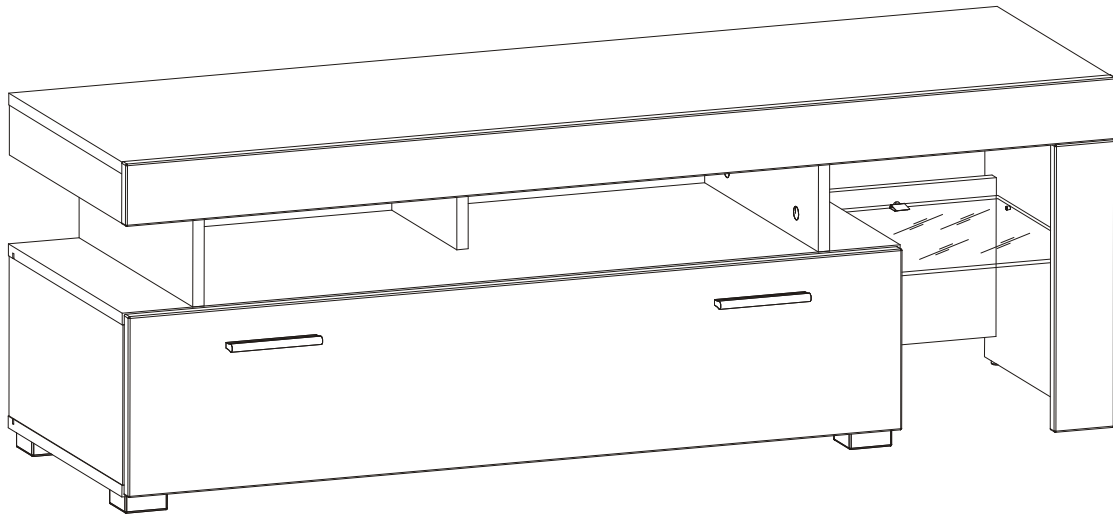
D10		A1	
x3	USØ3,5x13	x4	Ø8x36



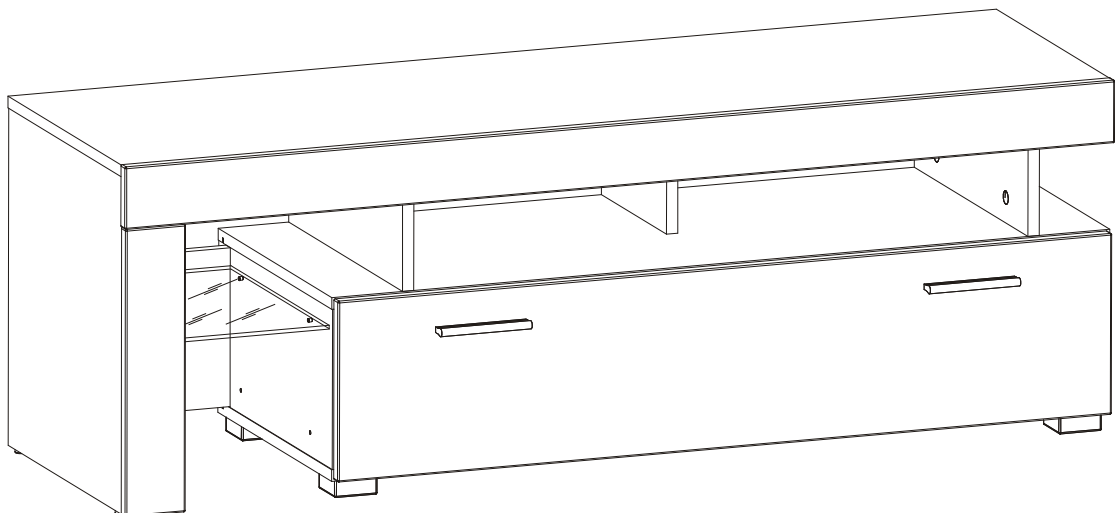
6

D10		E21		BO1	
x6	USØ3,5x13	x2	Ø35 H=0	x1	



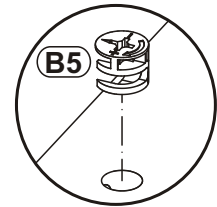
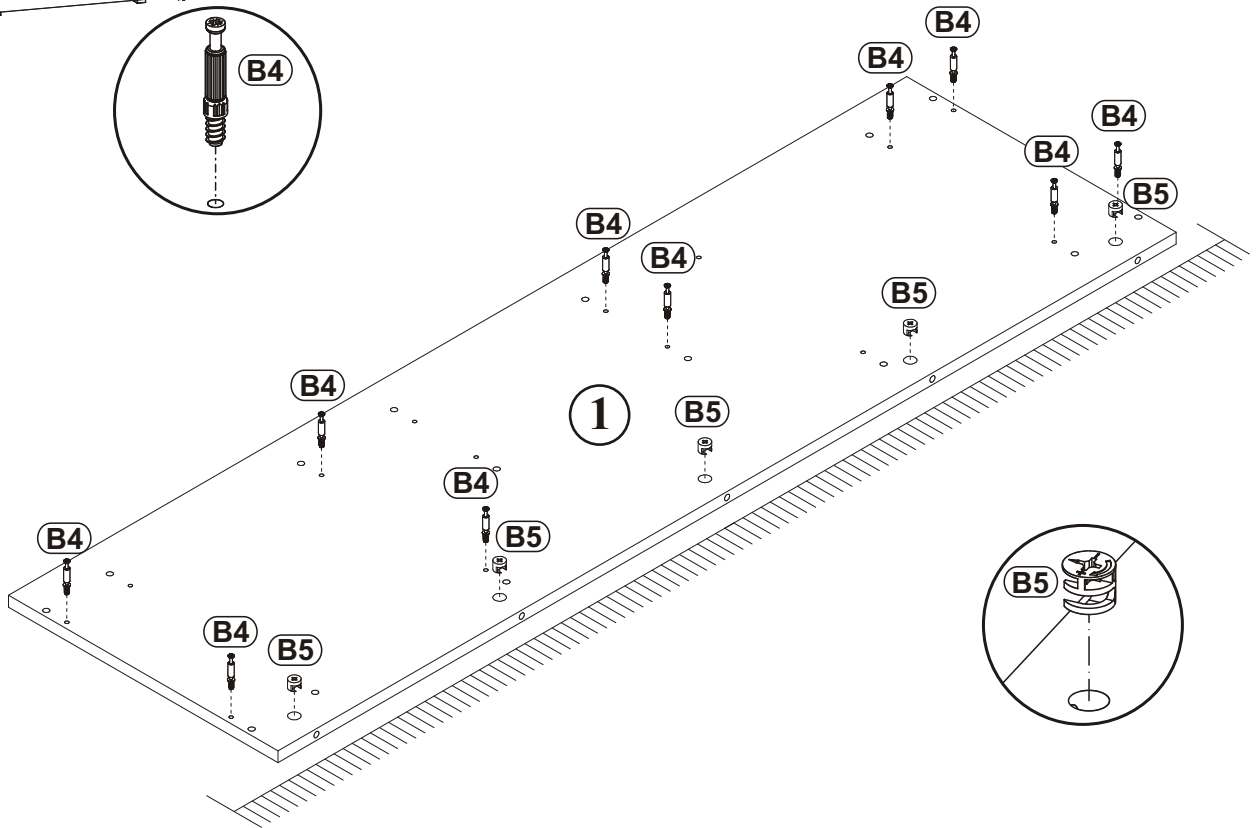
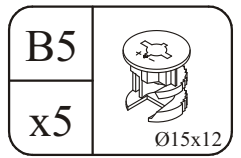
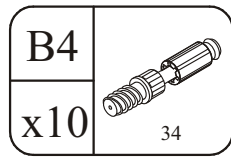
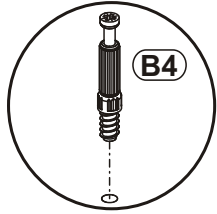
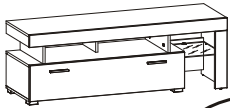


7-24

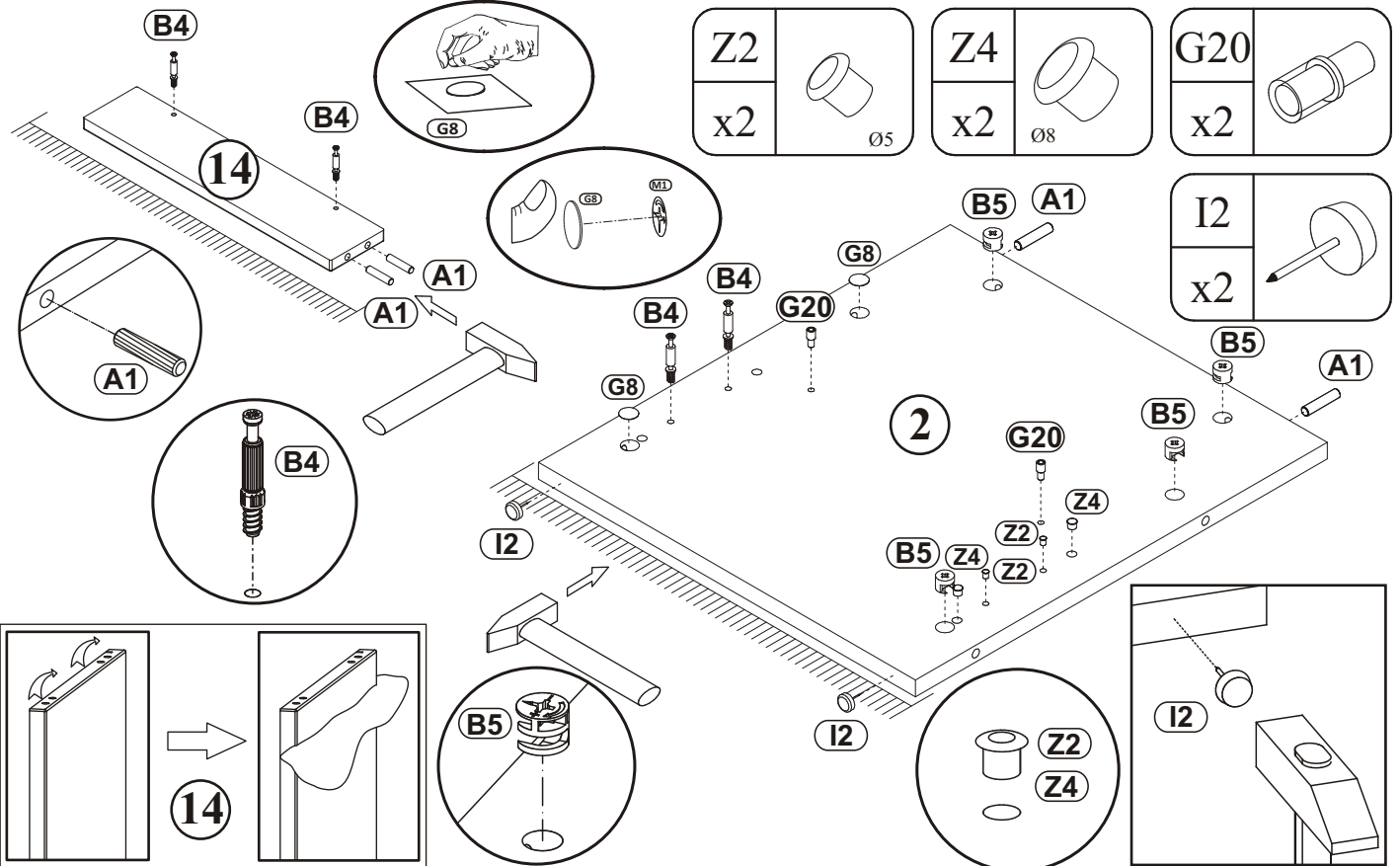
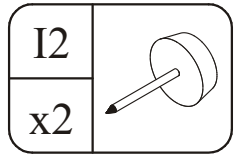
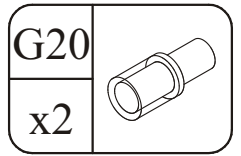
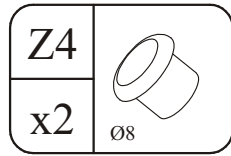
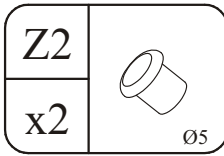
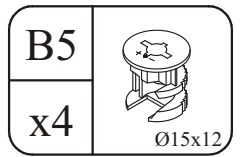
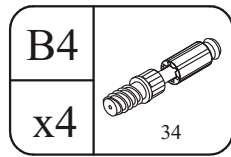
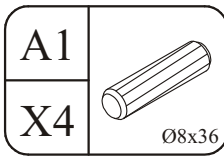
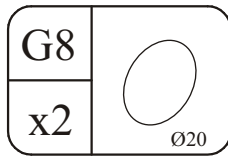
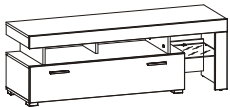


25-42

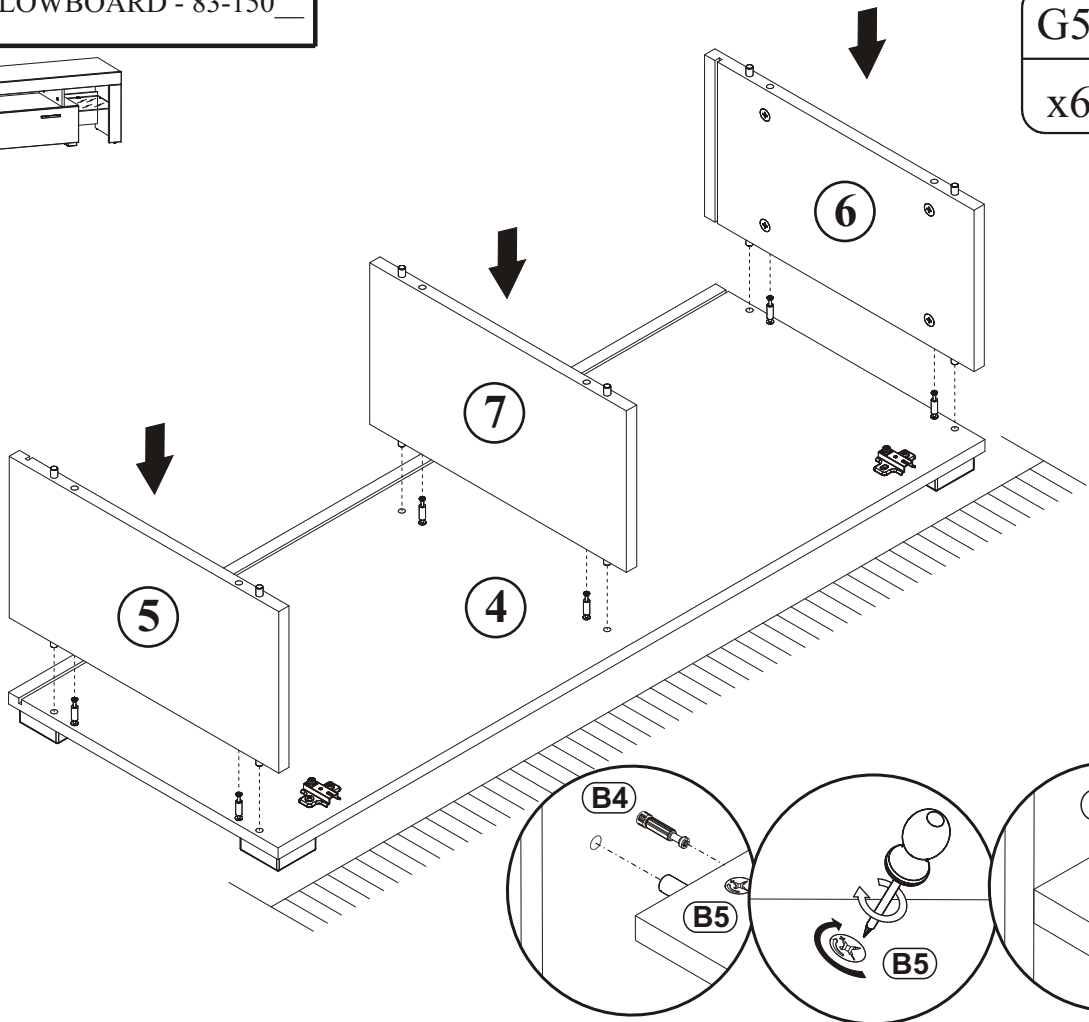
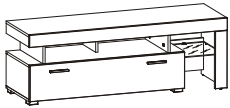
7



8

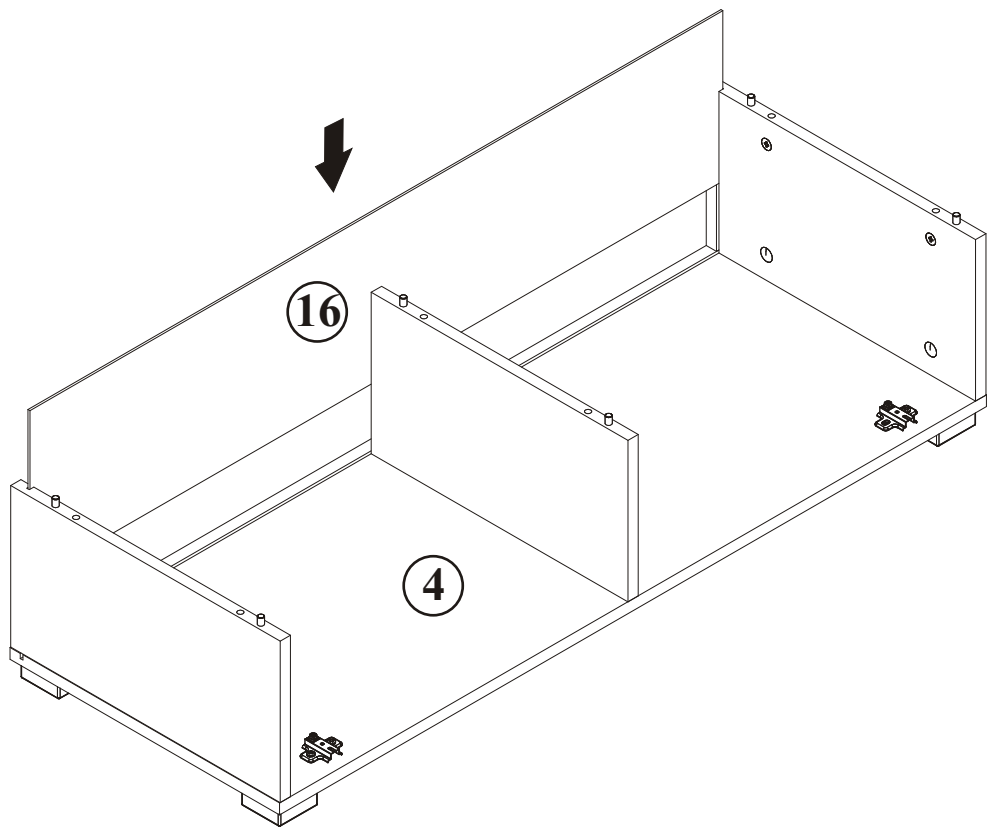
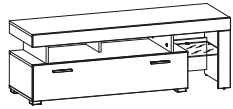


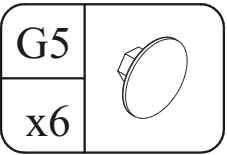
9



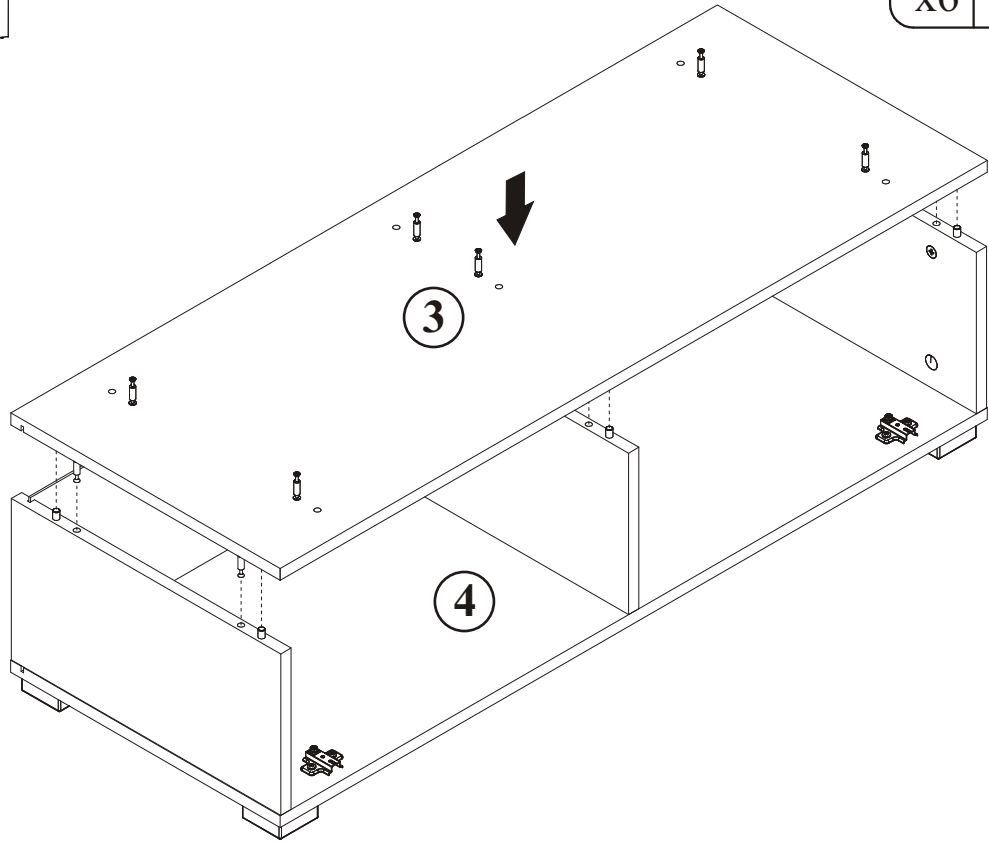
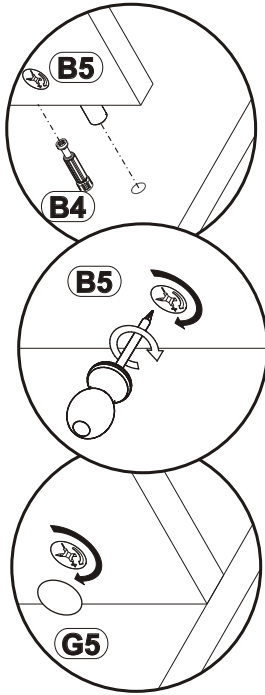
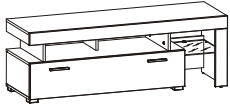
G5	
x6	

10

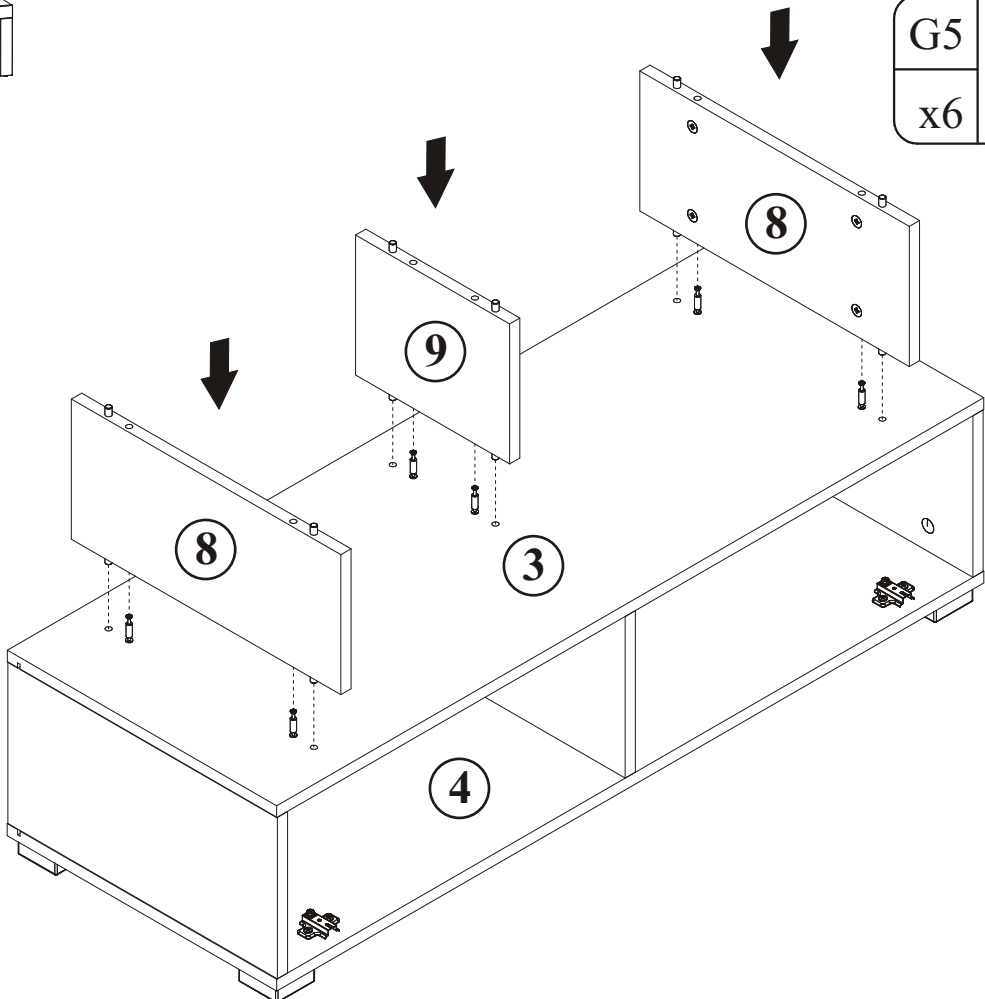
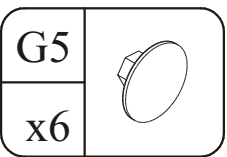
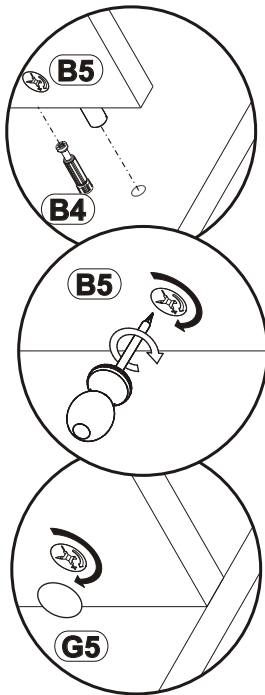
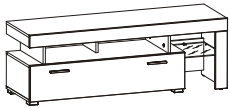




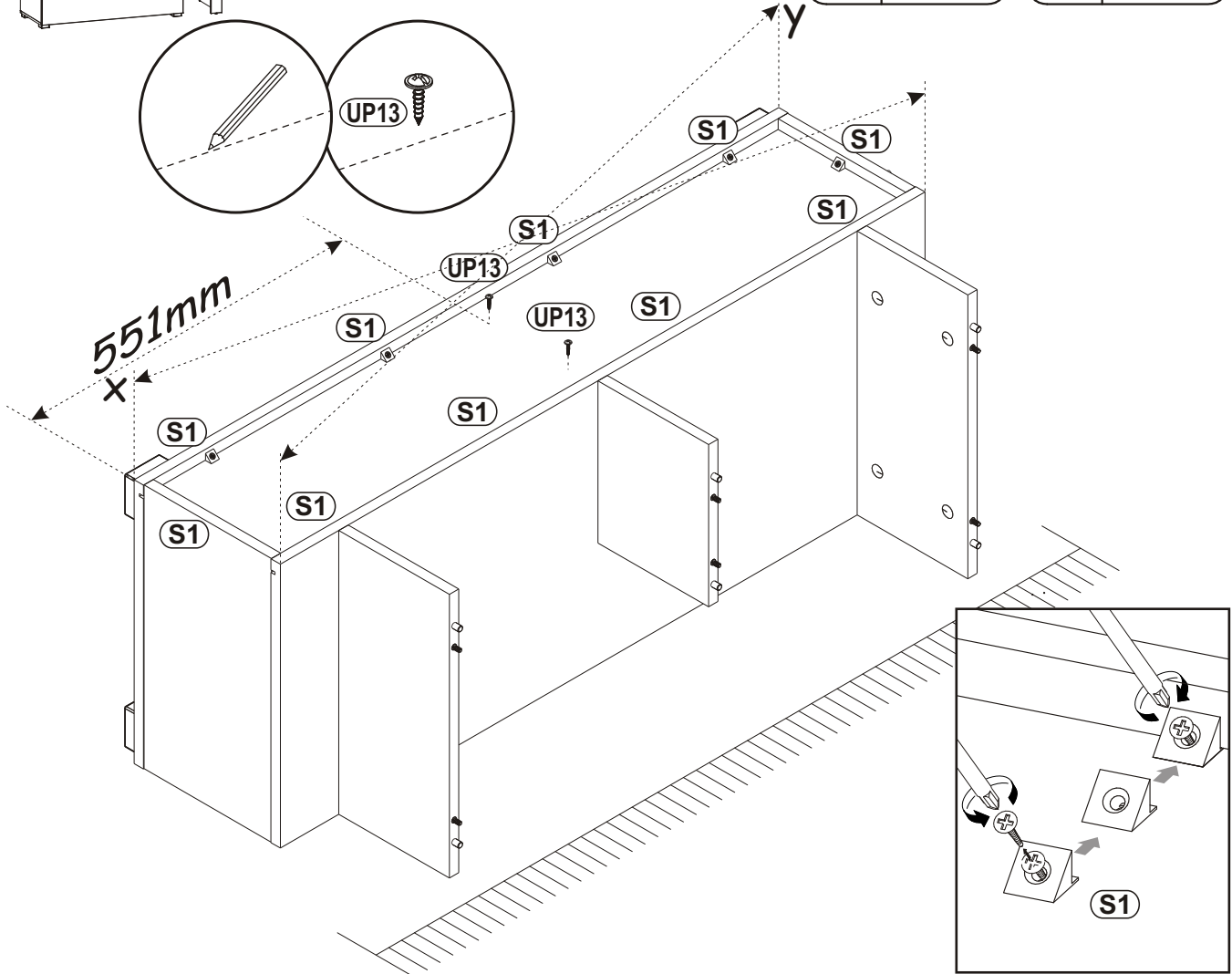
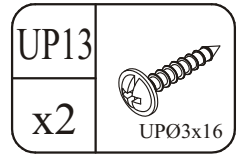
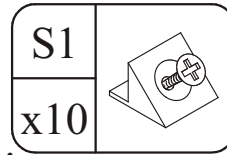
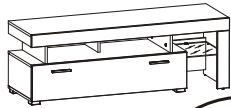
11



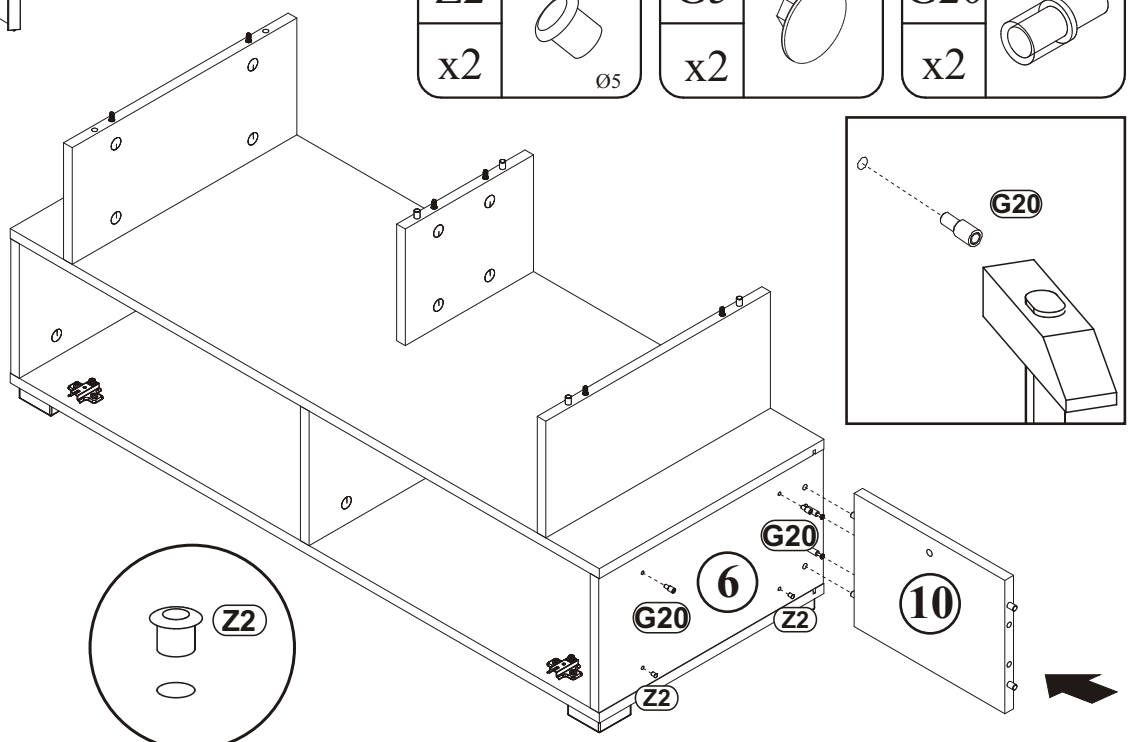
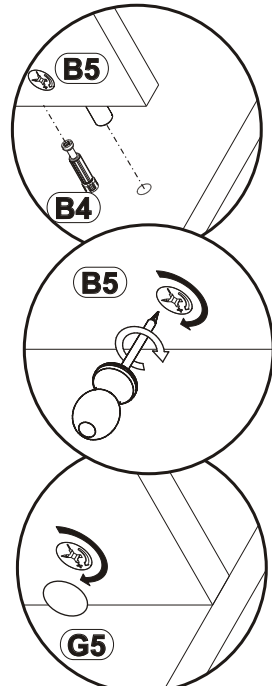
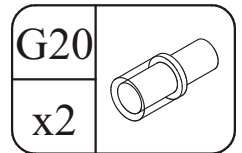
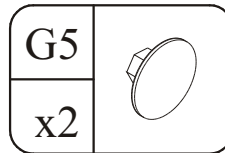
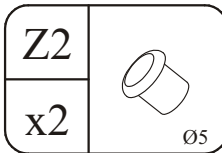
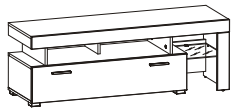
12



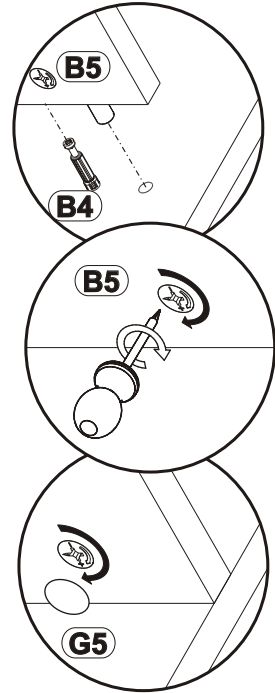
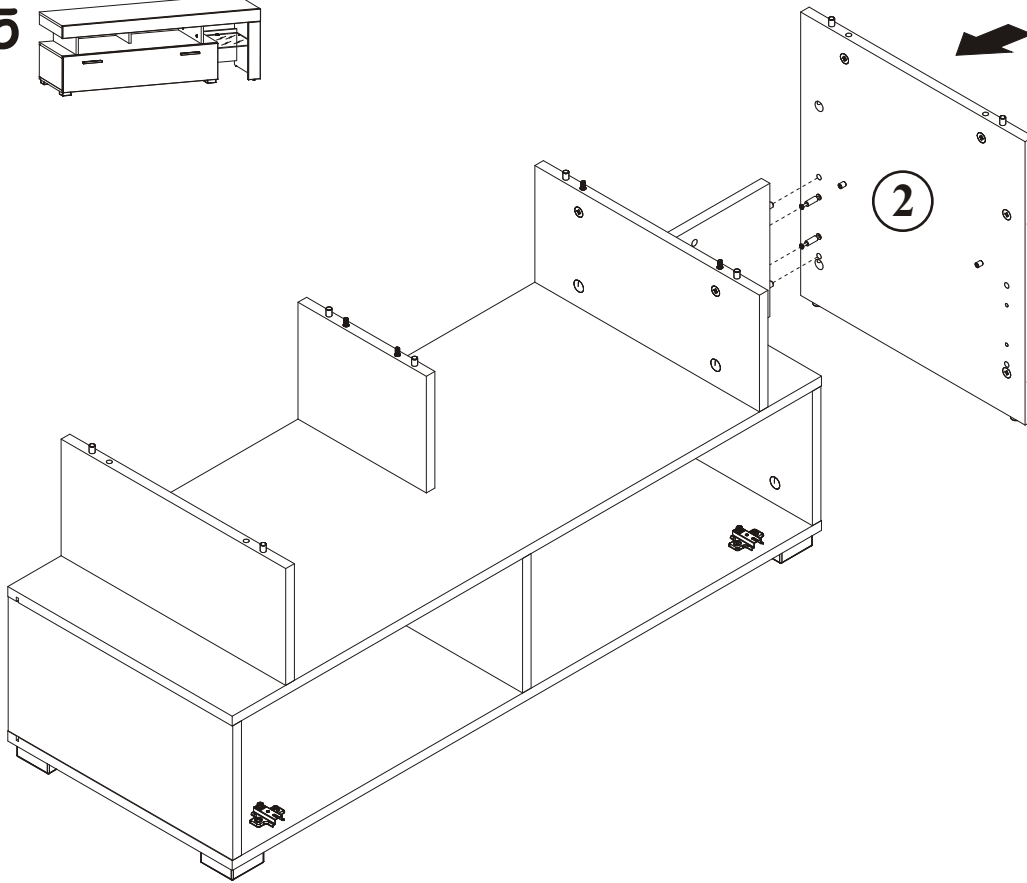
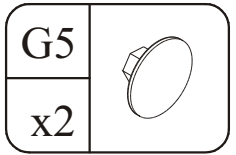
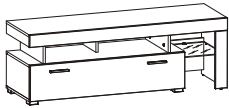
13



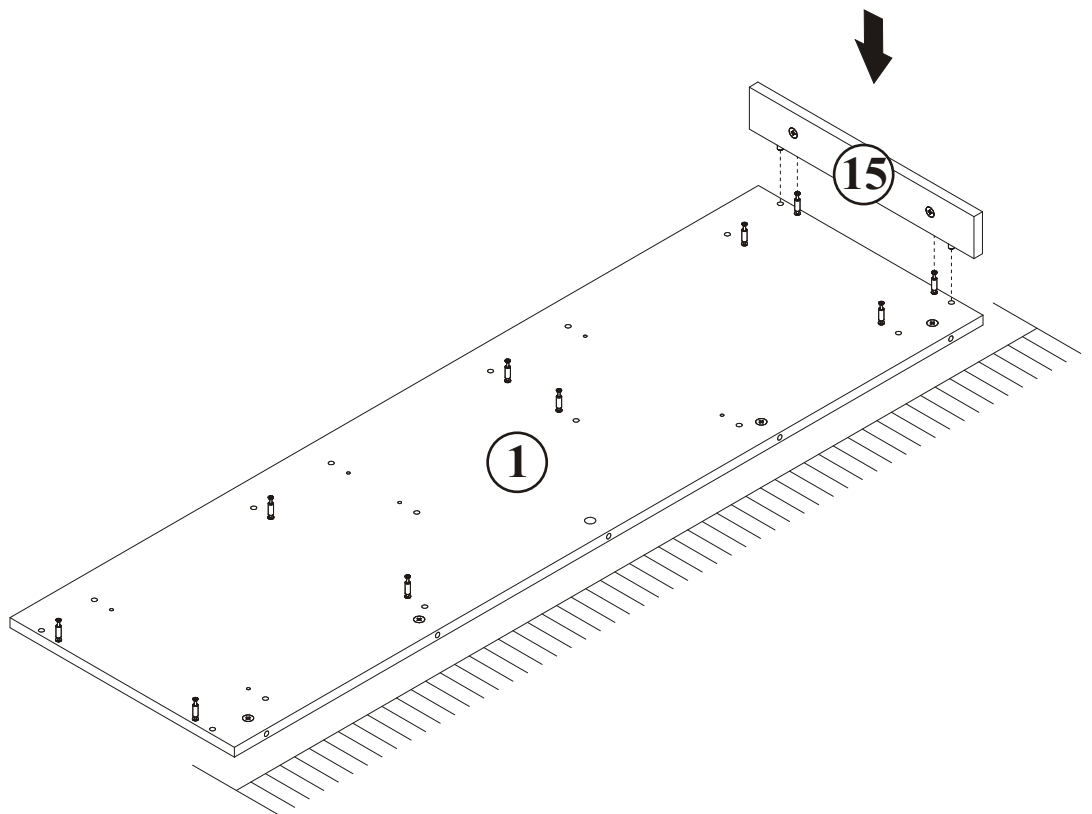
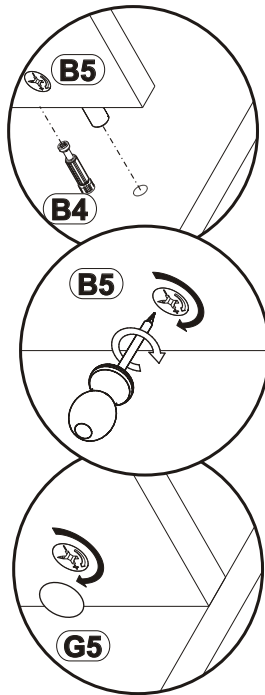
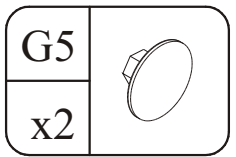
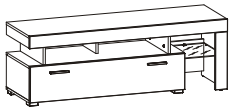
14



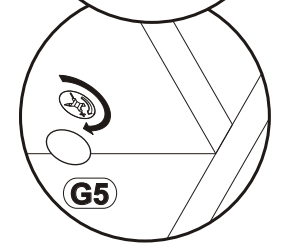
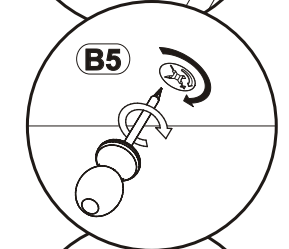
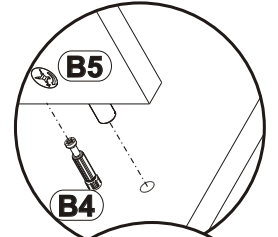
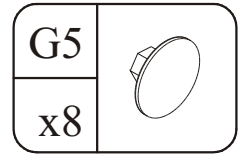
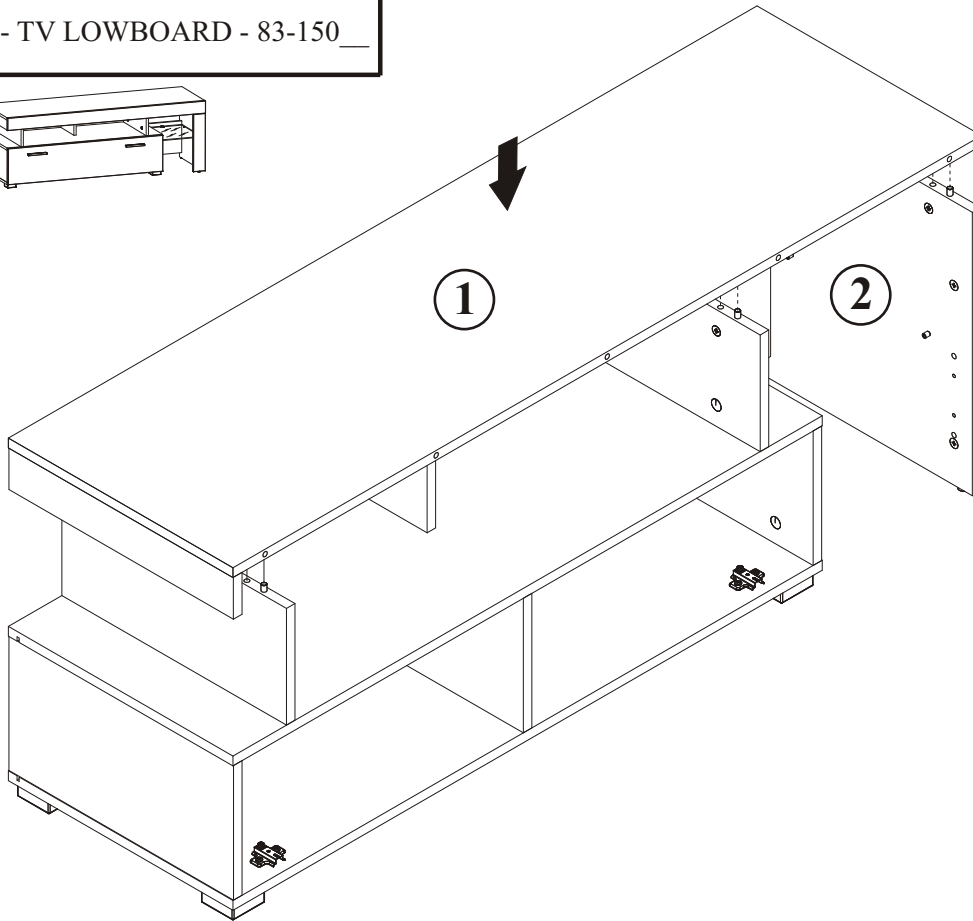
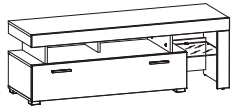
15



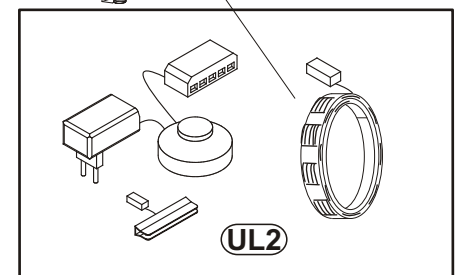
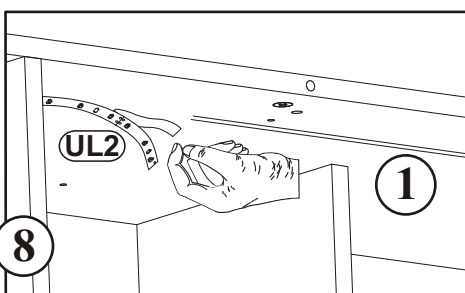
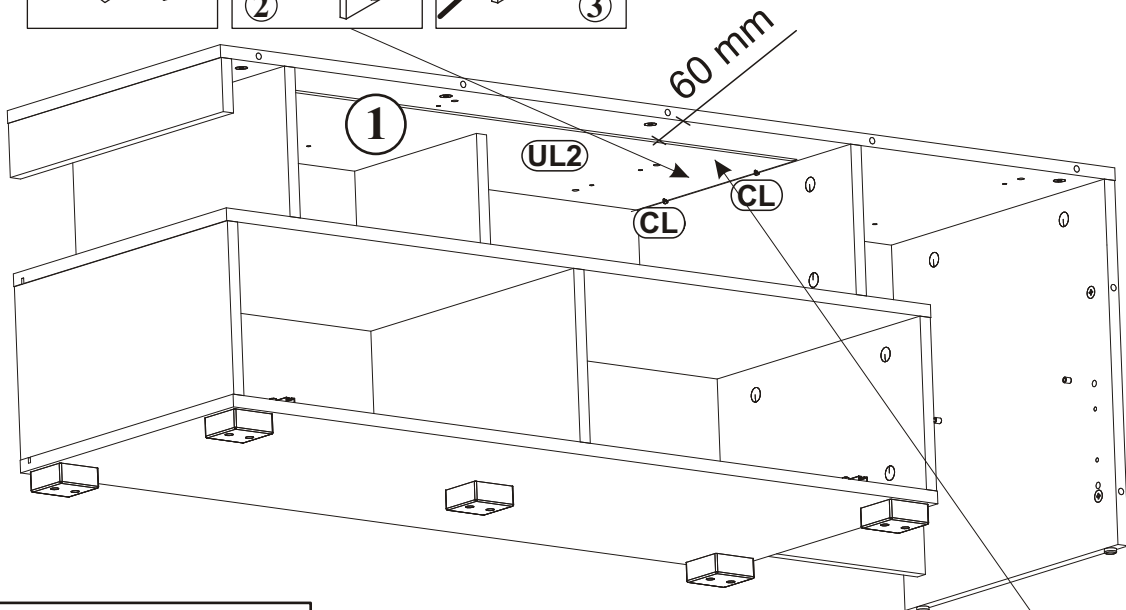
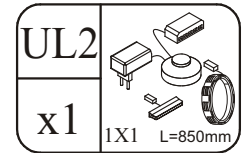
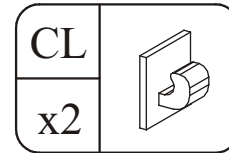
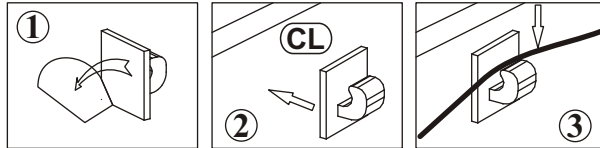
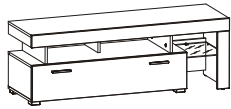
16



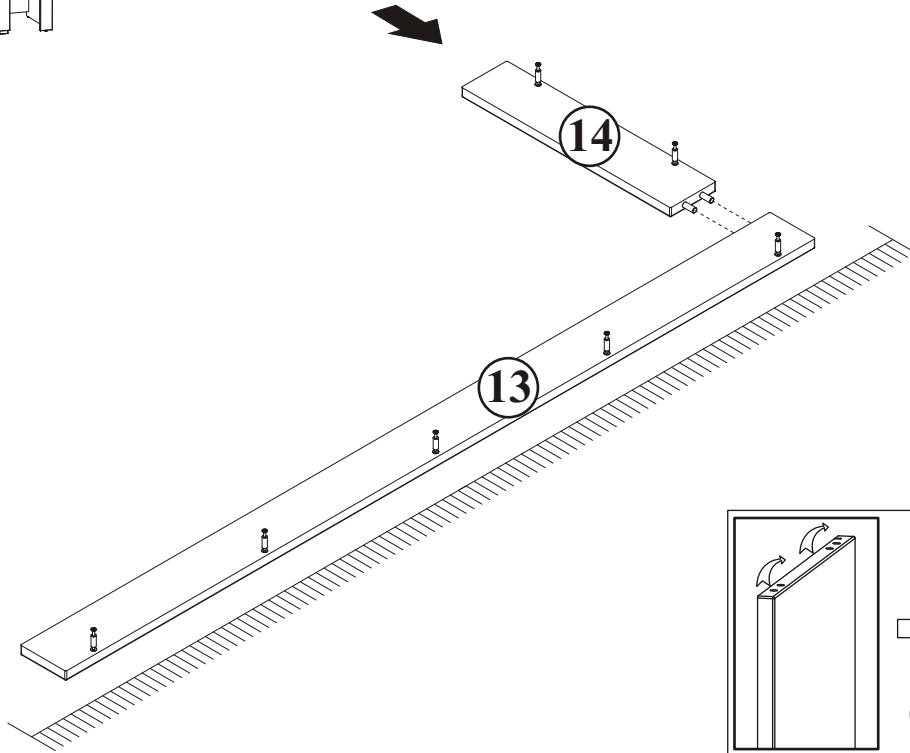
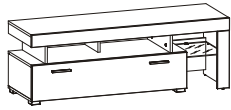
17



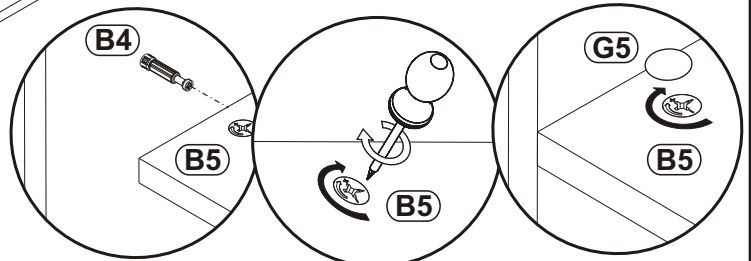
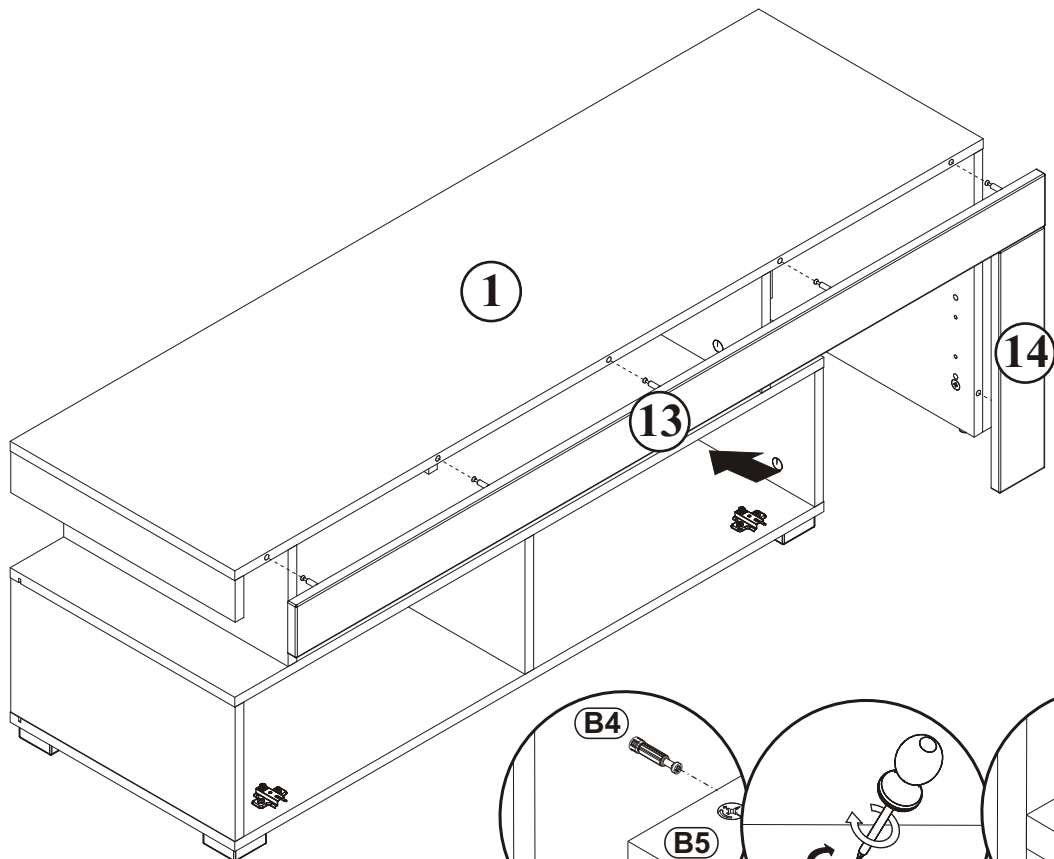
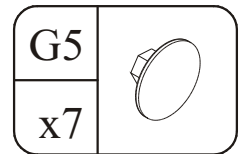
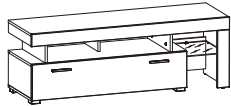
18



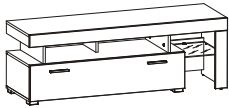
19



20



21

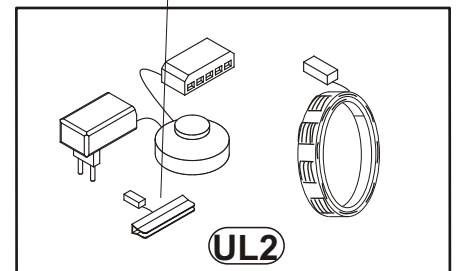
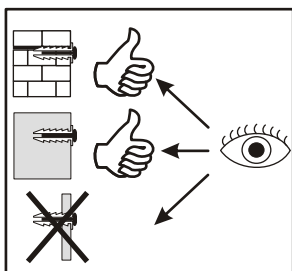
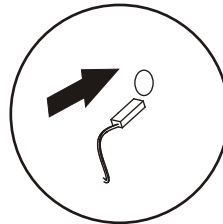
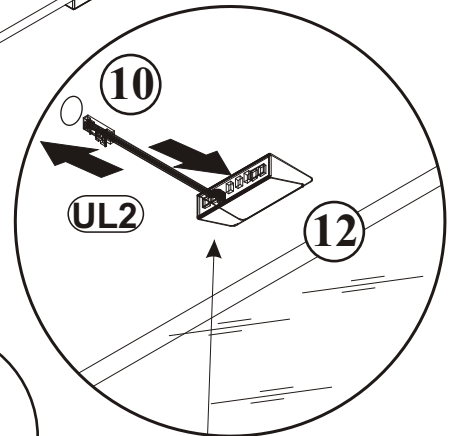
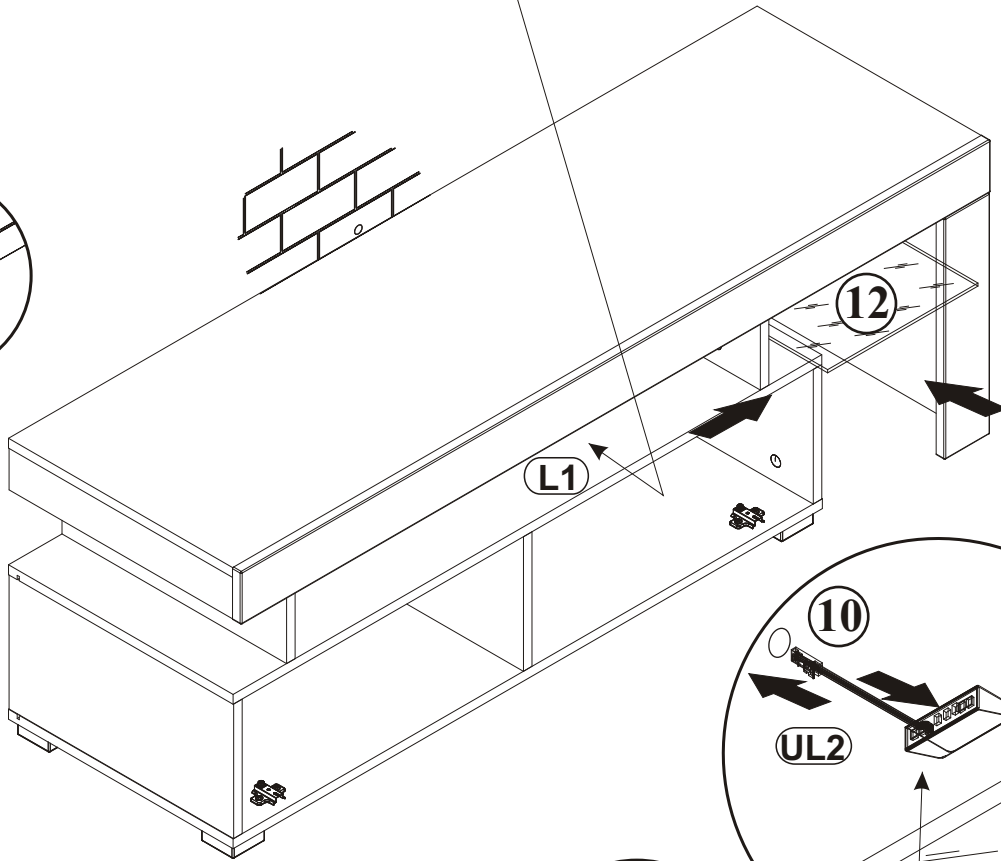
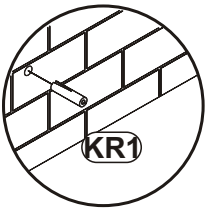
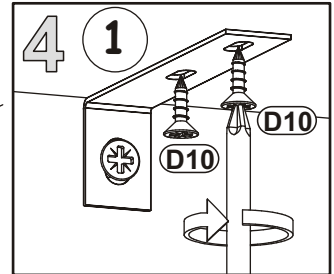
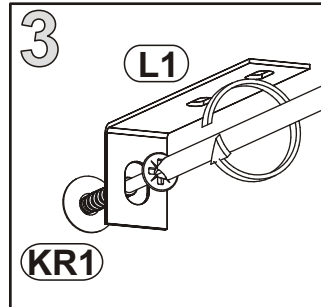
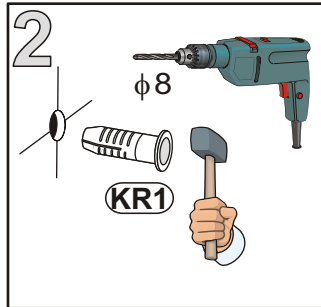
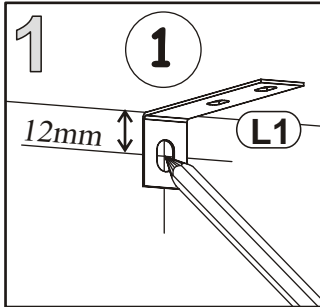


D10	
x2	USØ3,5x13

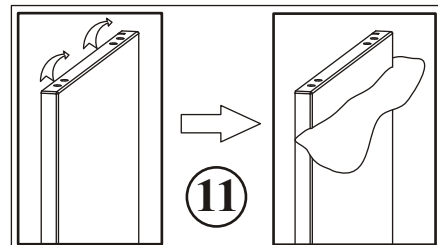
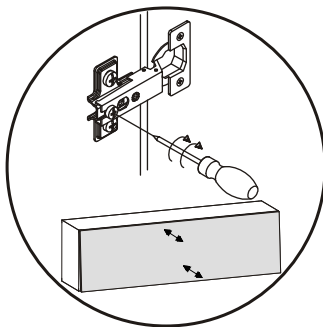
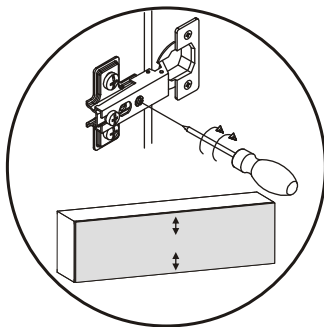
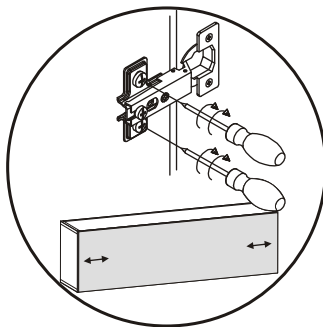
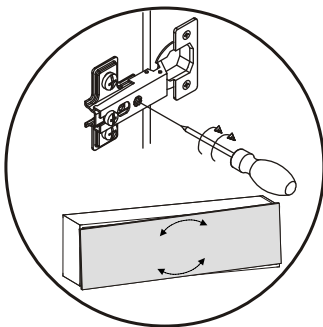
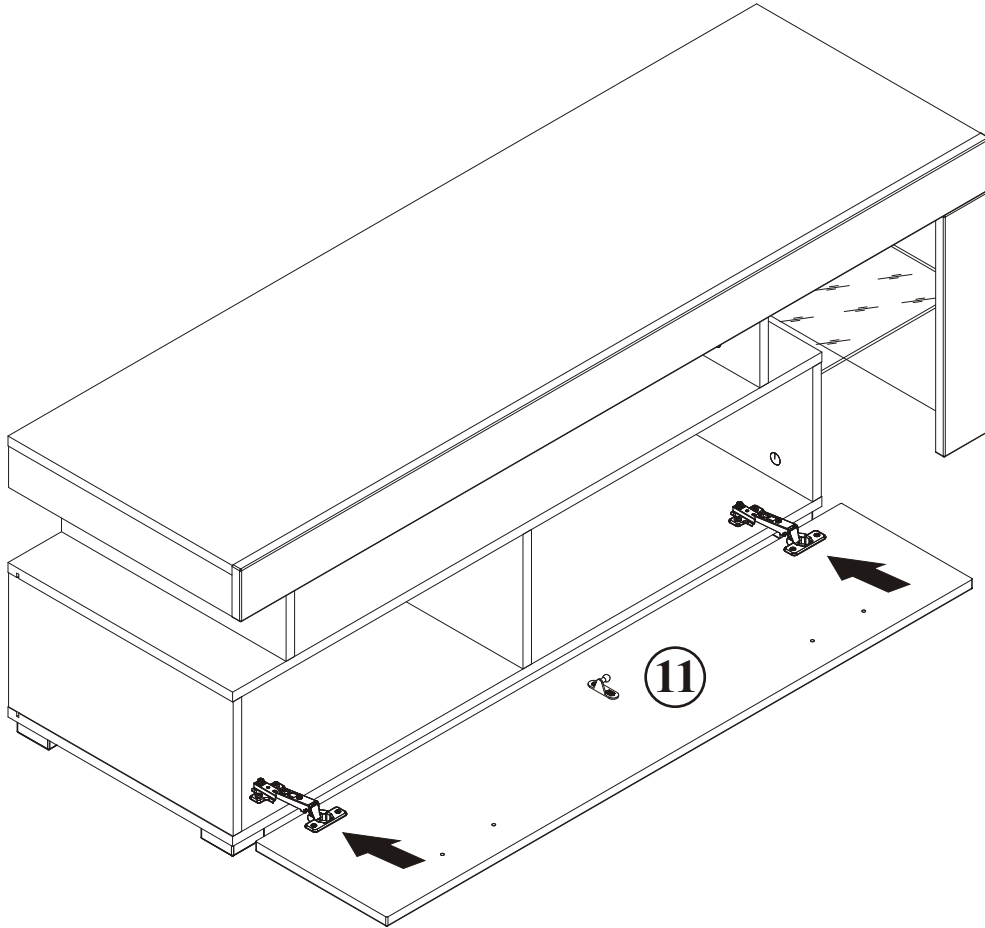
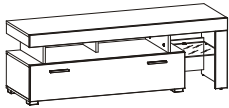
KR1	
x1	Ø8

L1	
x1	

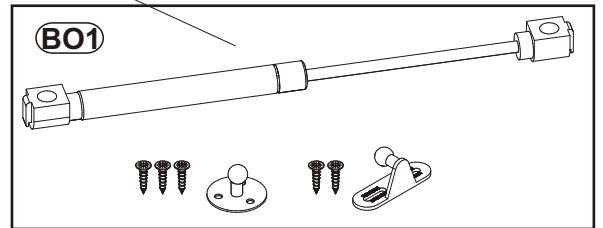
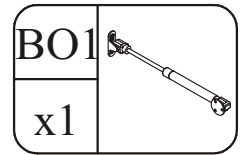
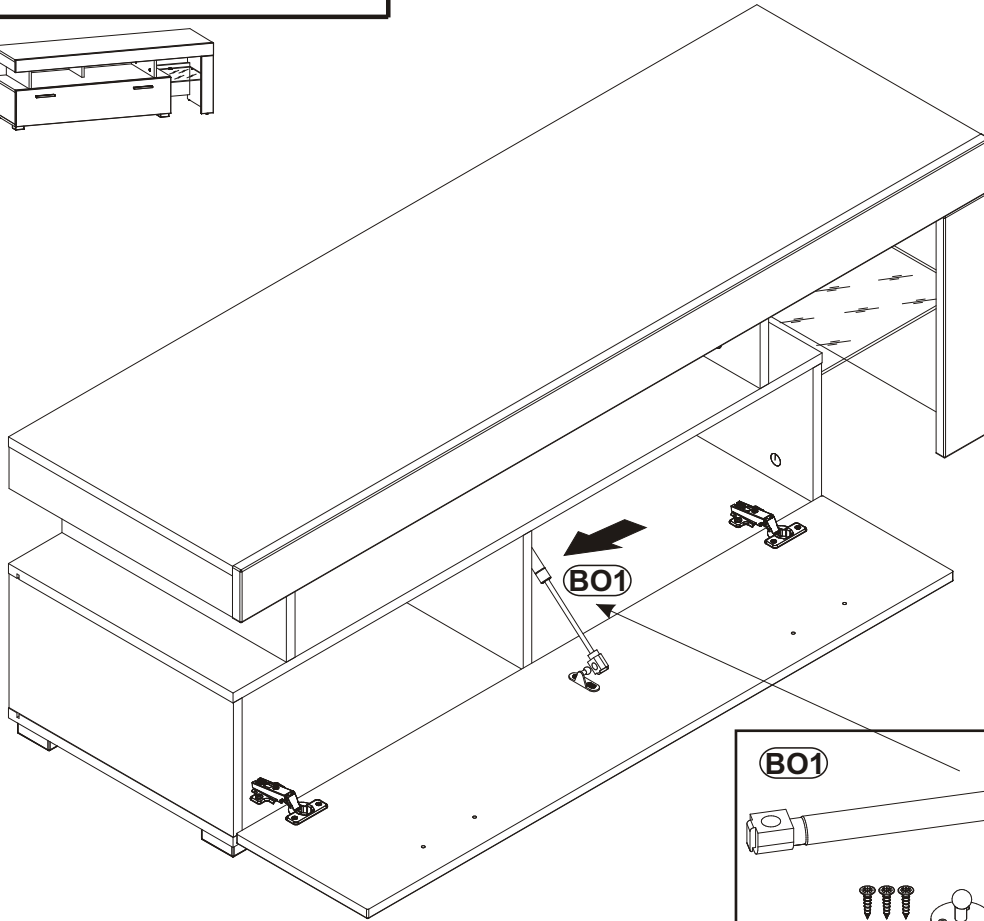
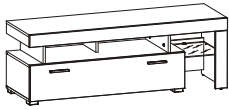
UL2	
x1	1X1 L=850mm



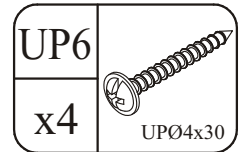
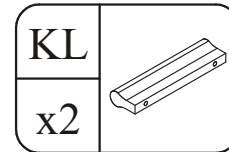
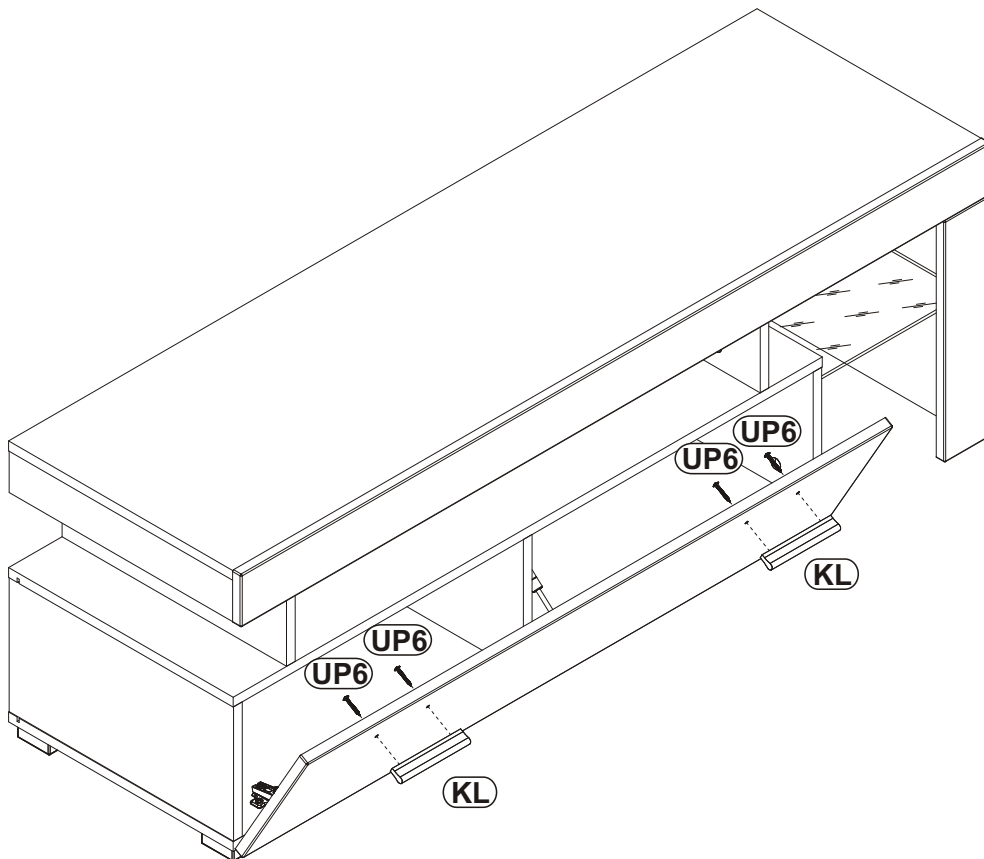
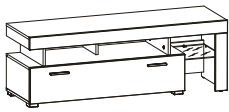
22



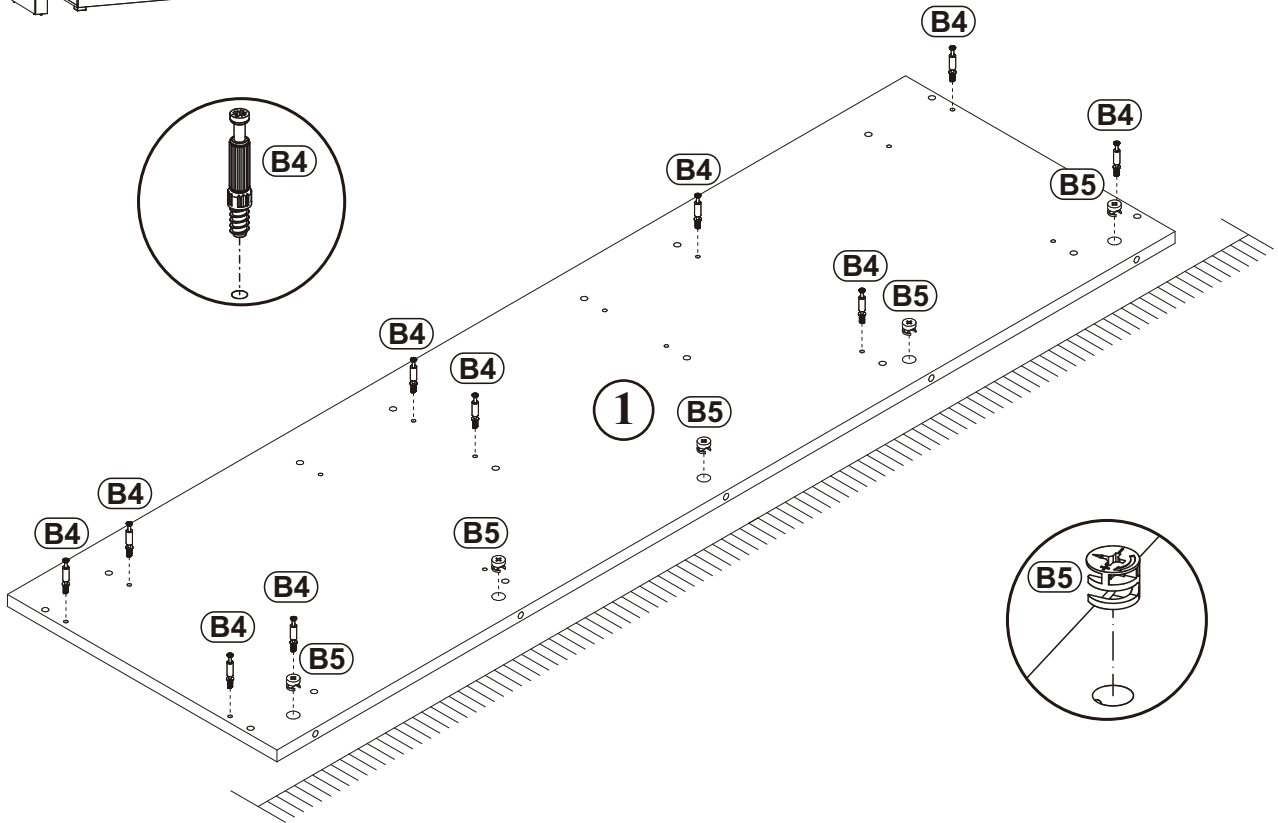
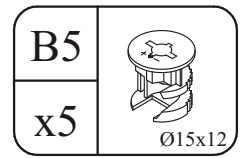
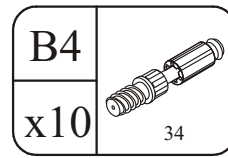
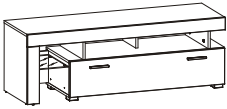
23



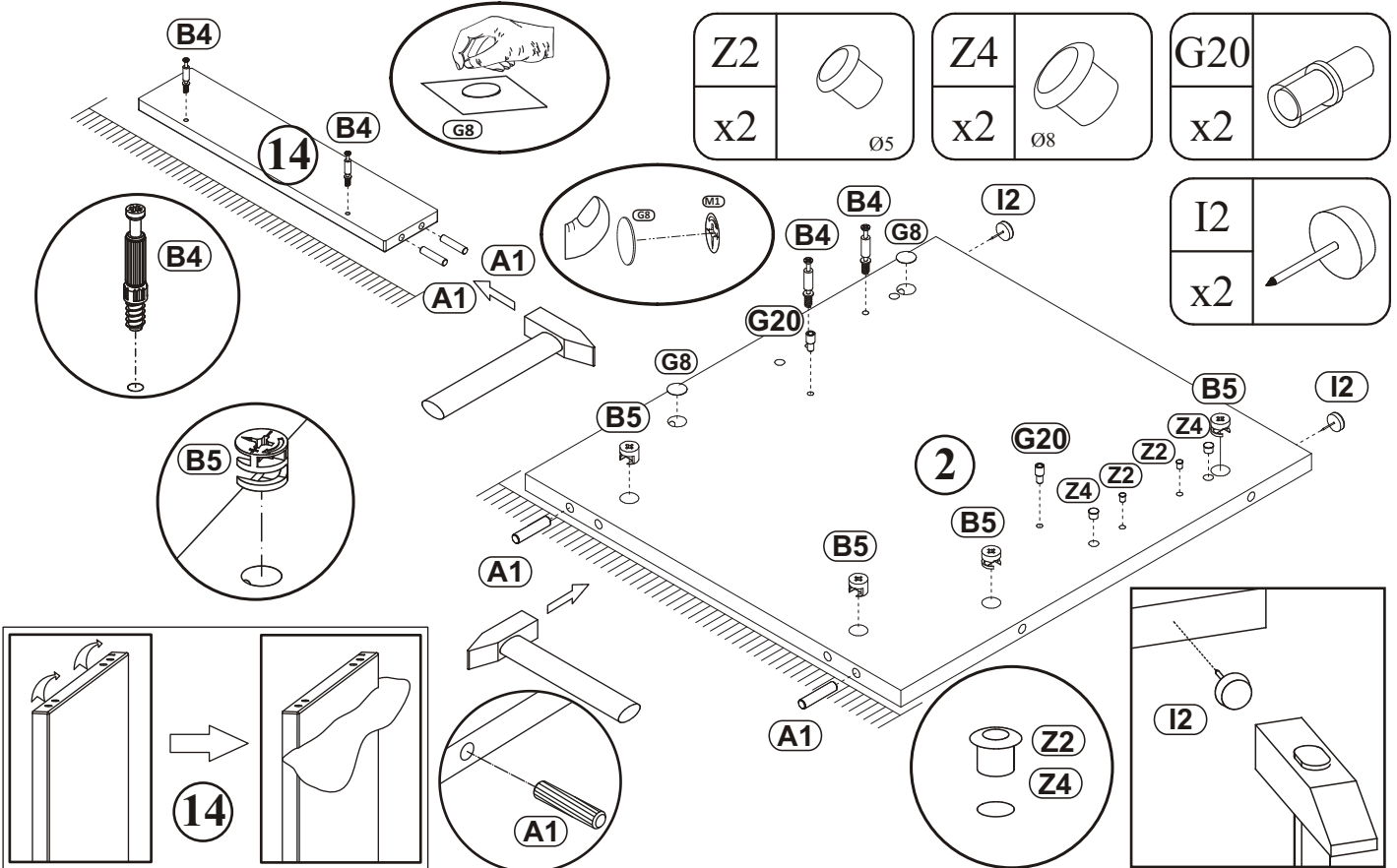
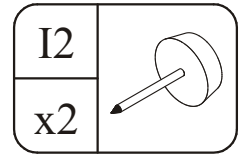
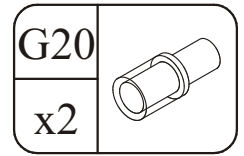
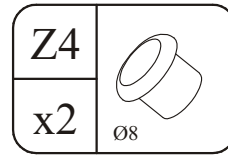
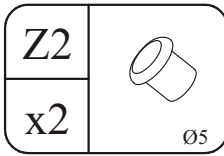
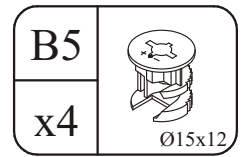
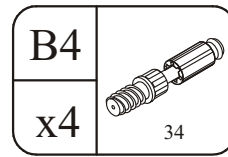
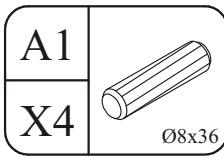
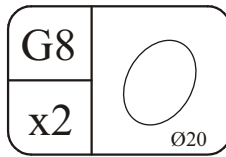
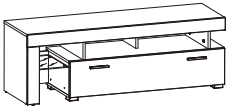
24



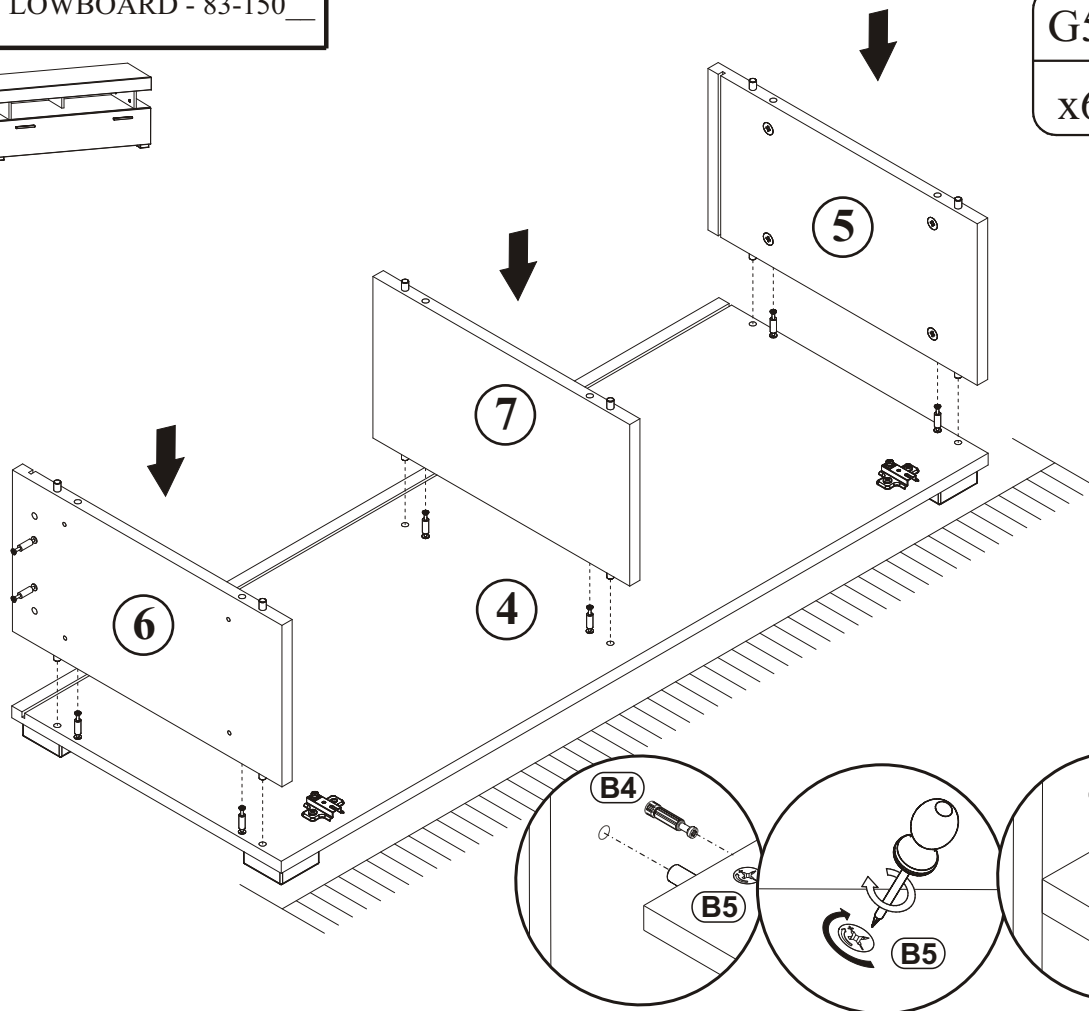
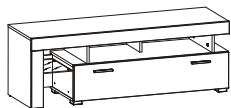
25



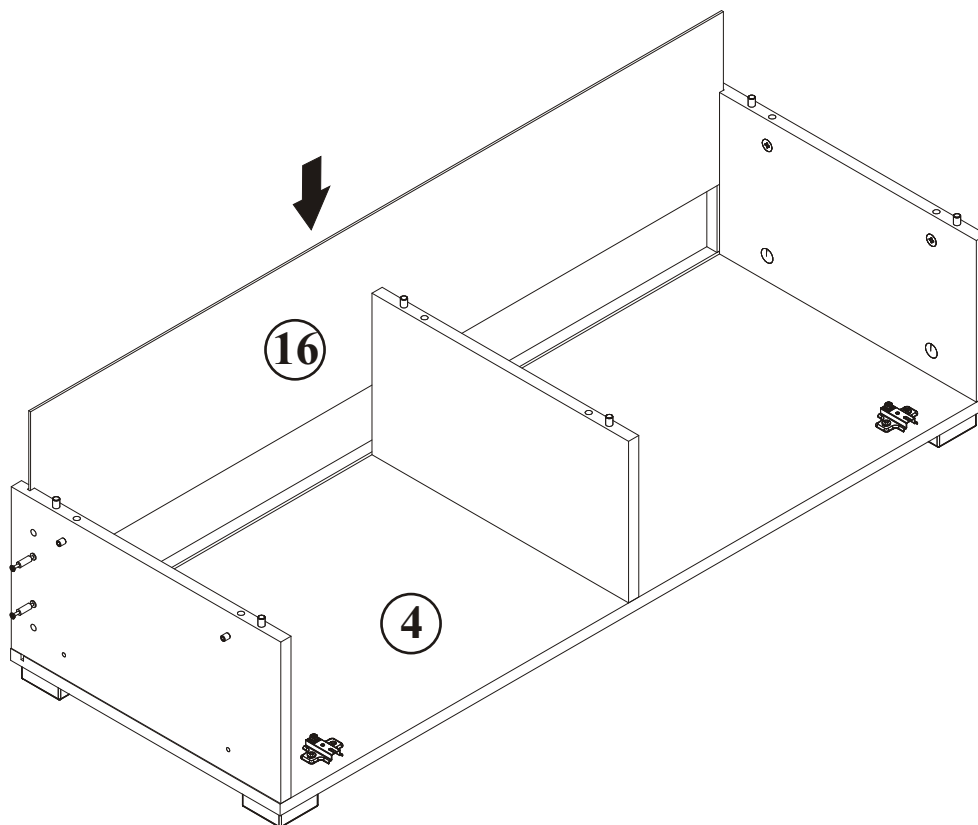
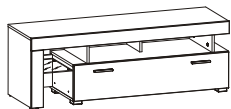
26




27

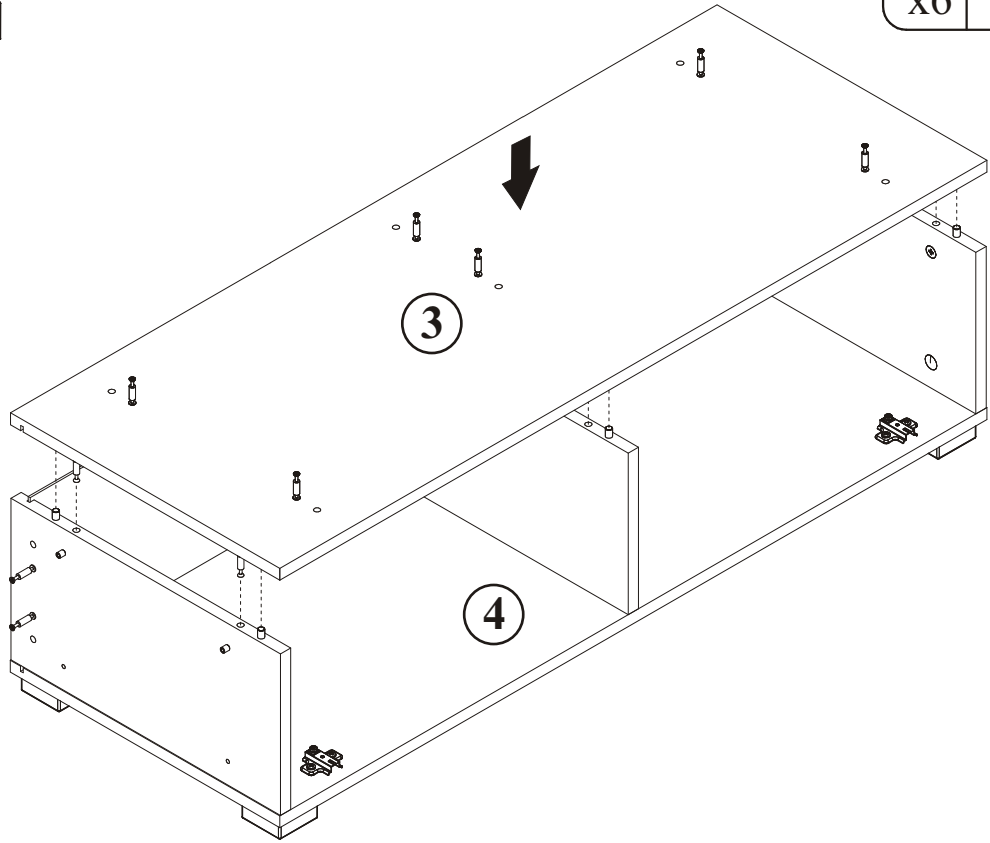
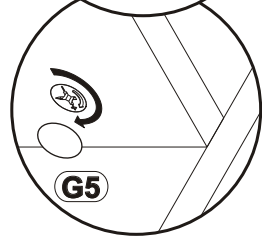
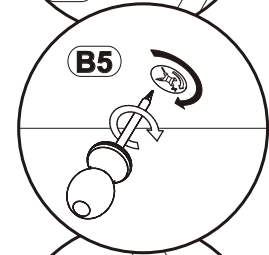
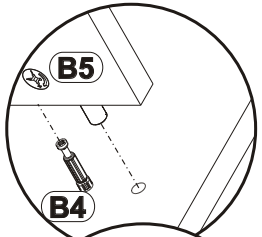
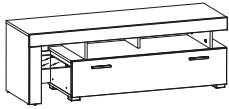


28

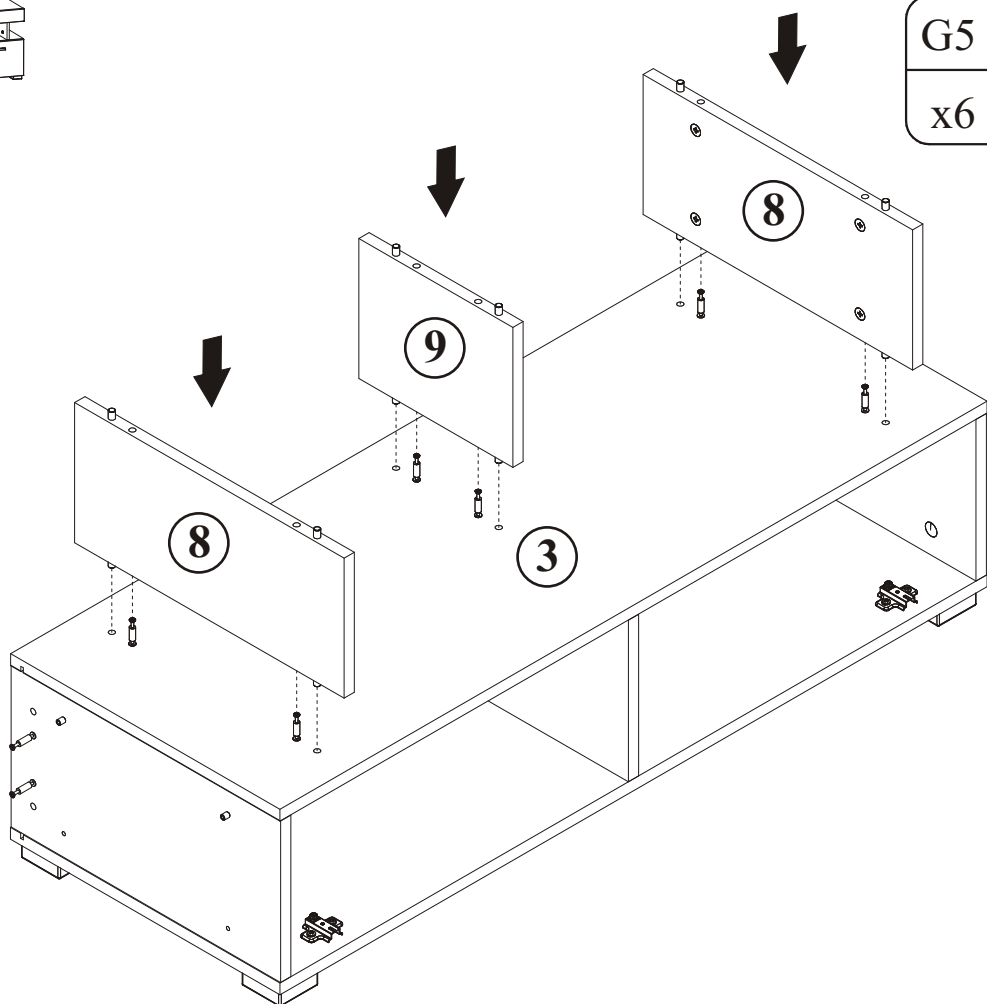
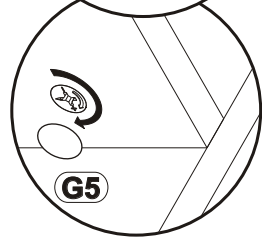
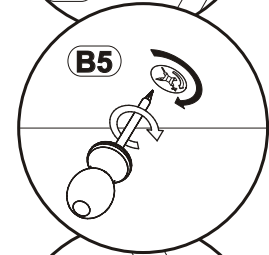
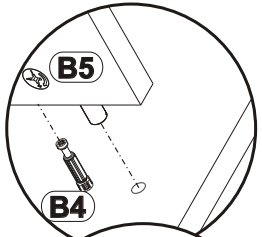
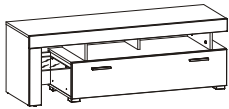


G5	
x6	

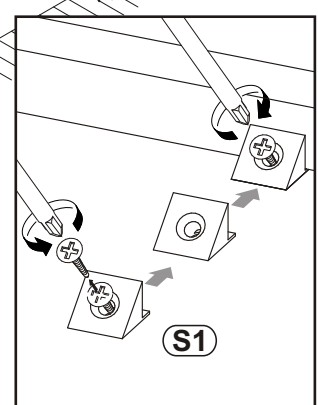
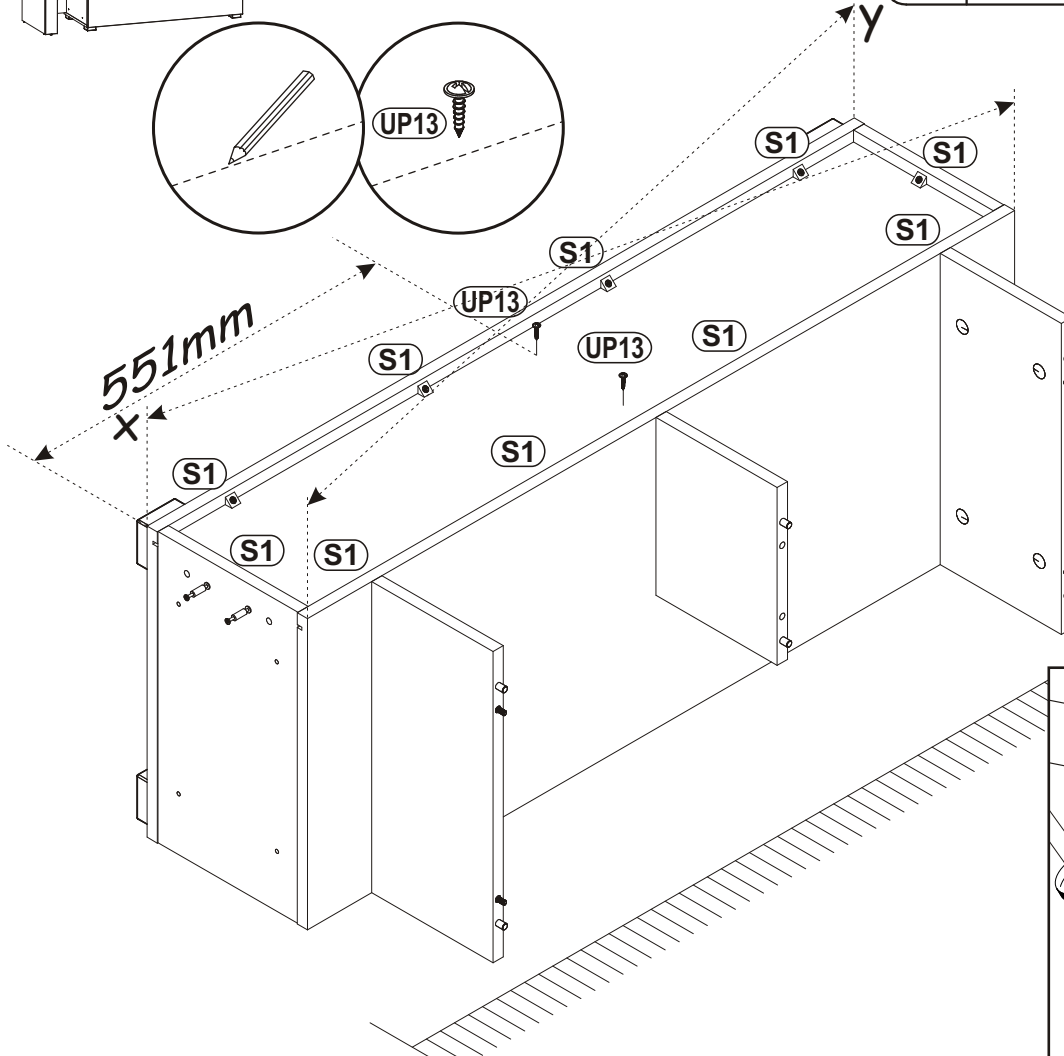
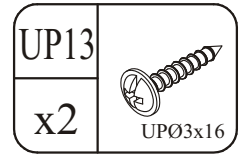
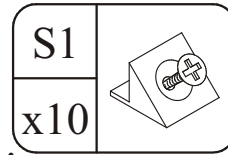
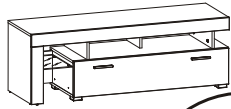
29



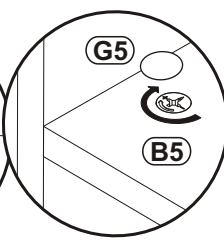
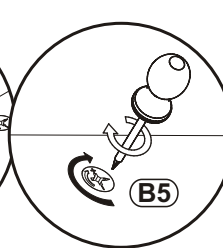
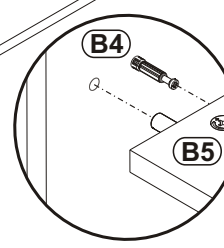
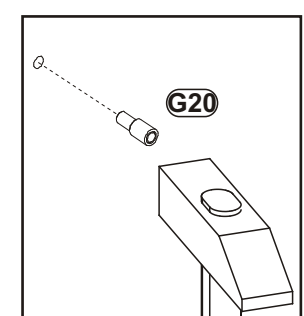
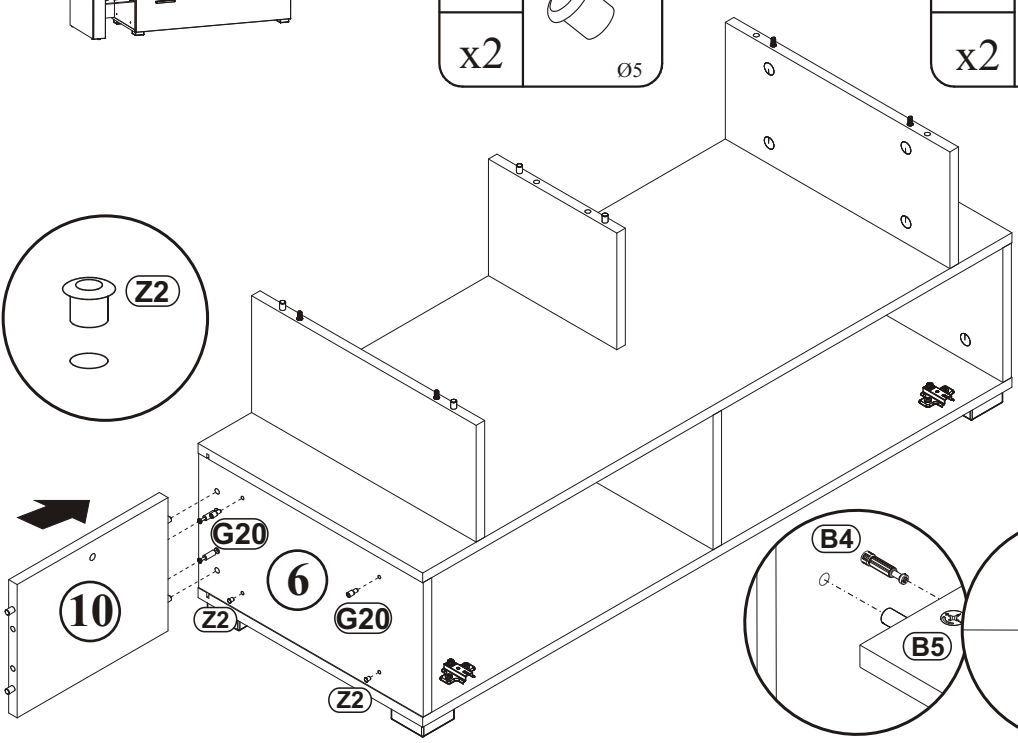
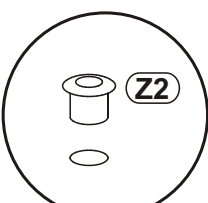
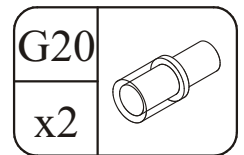
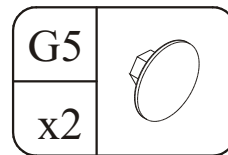
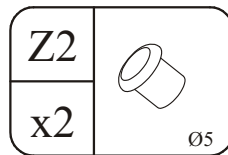
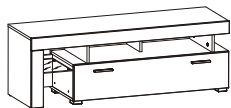
30



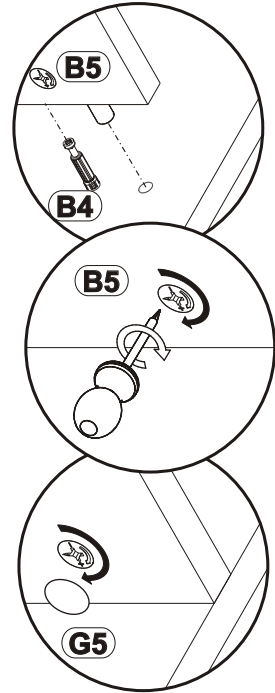
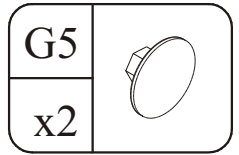
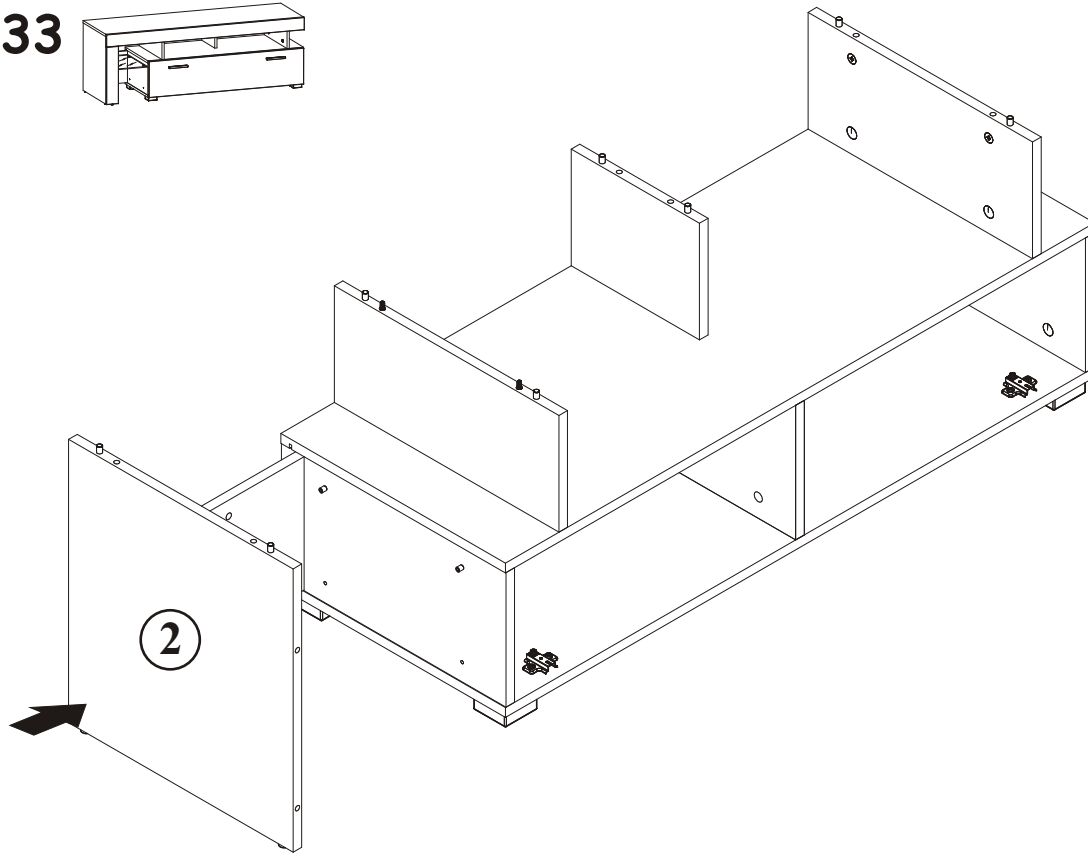
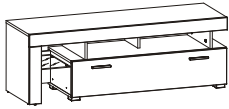
31



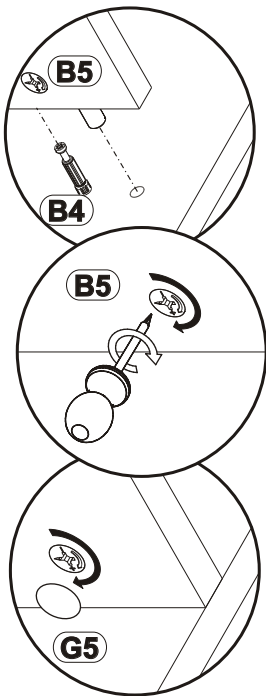
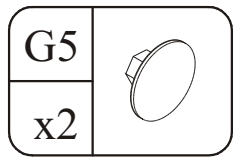
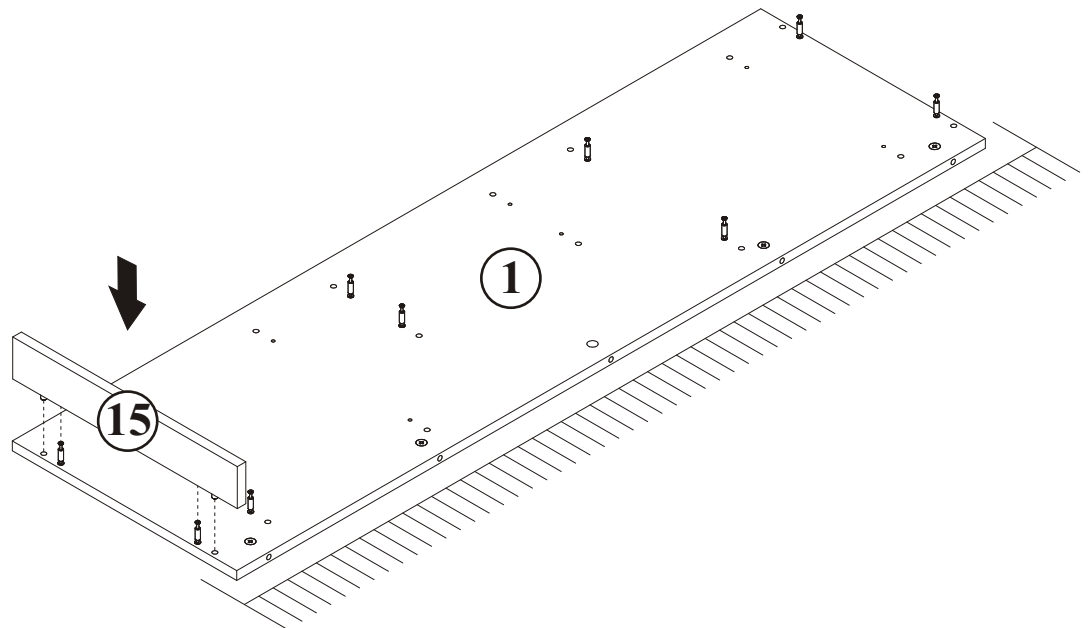
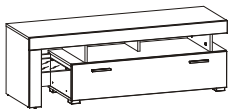
32



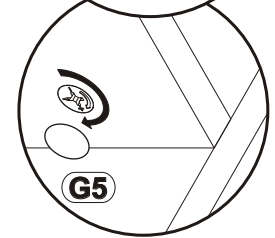
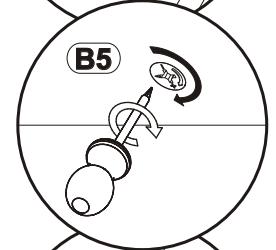
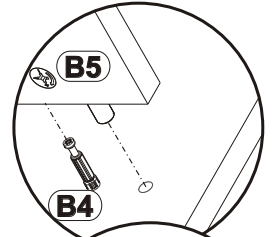
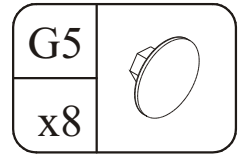
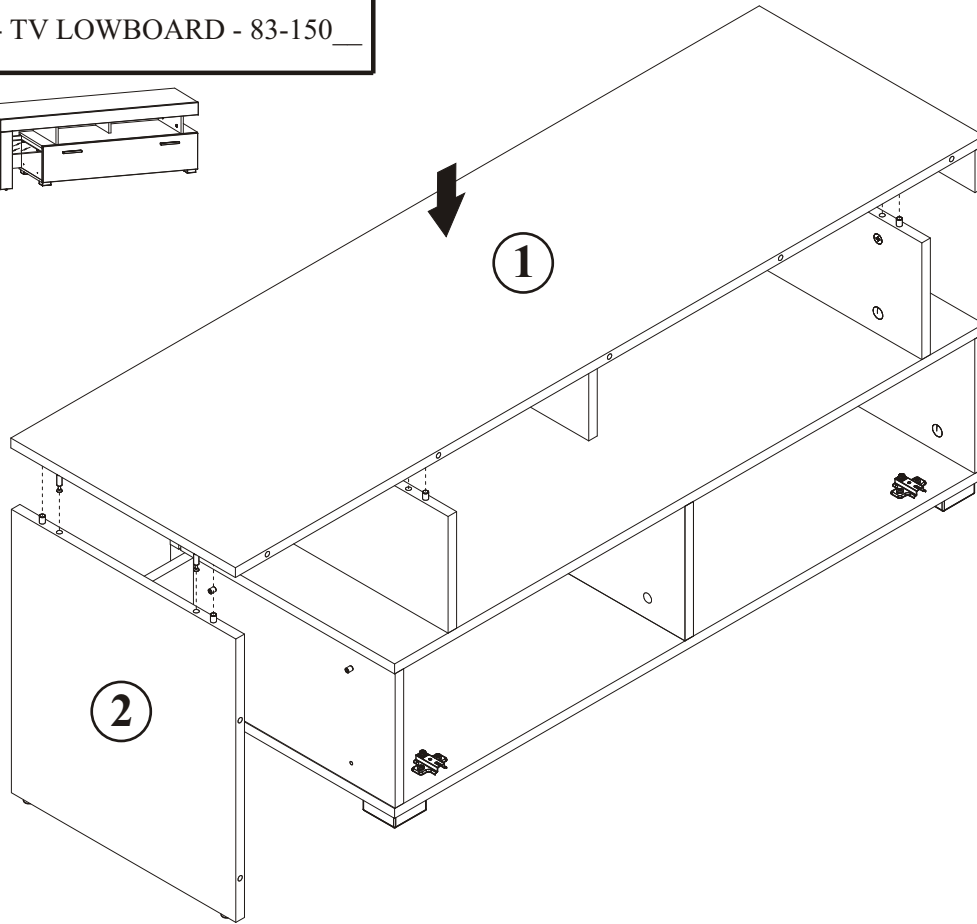
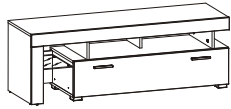
33



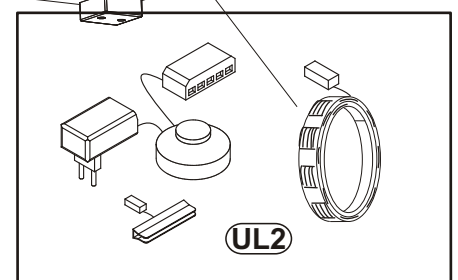
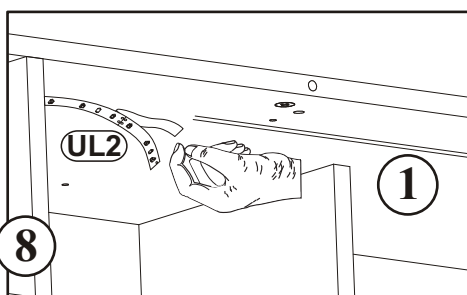
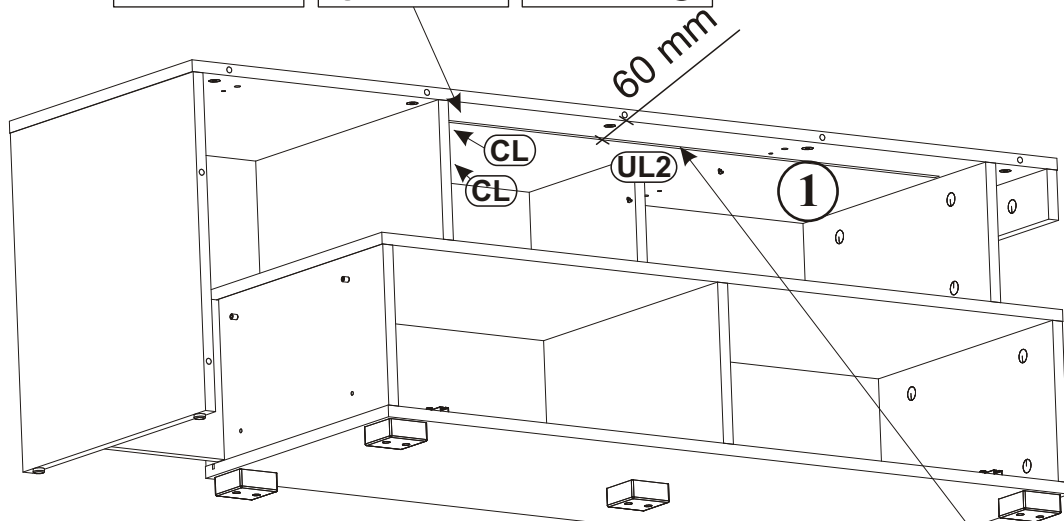
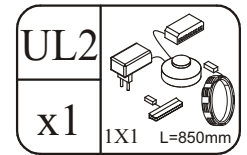
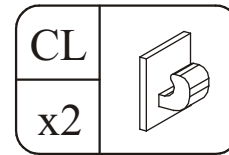
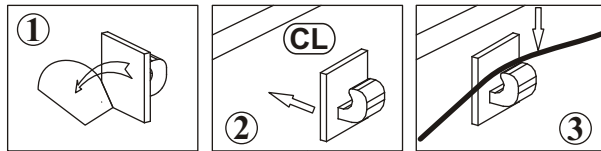
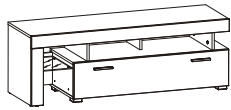
34



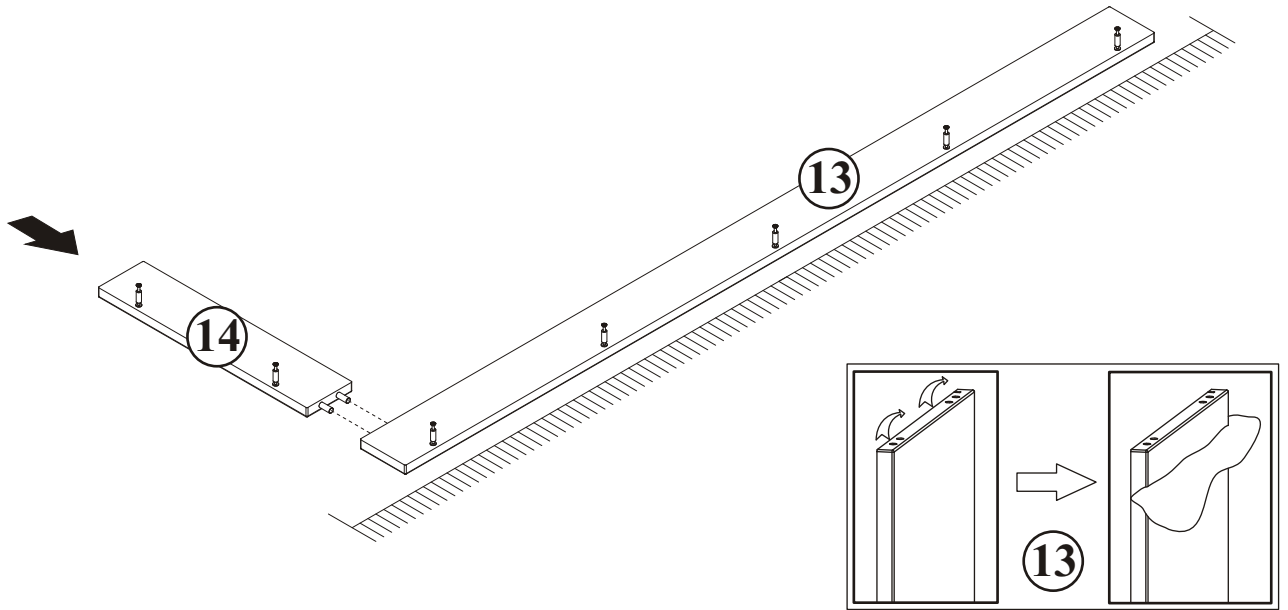
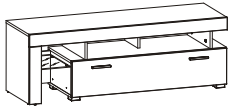
35



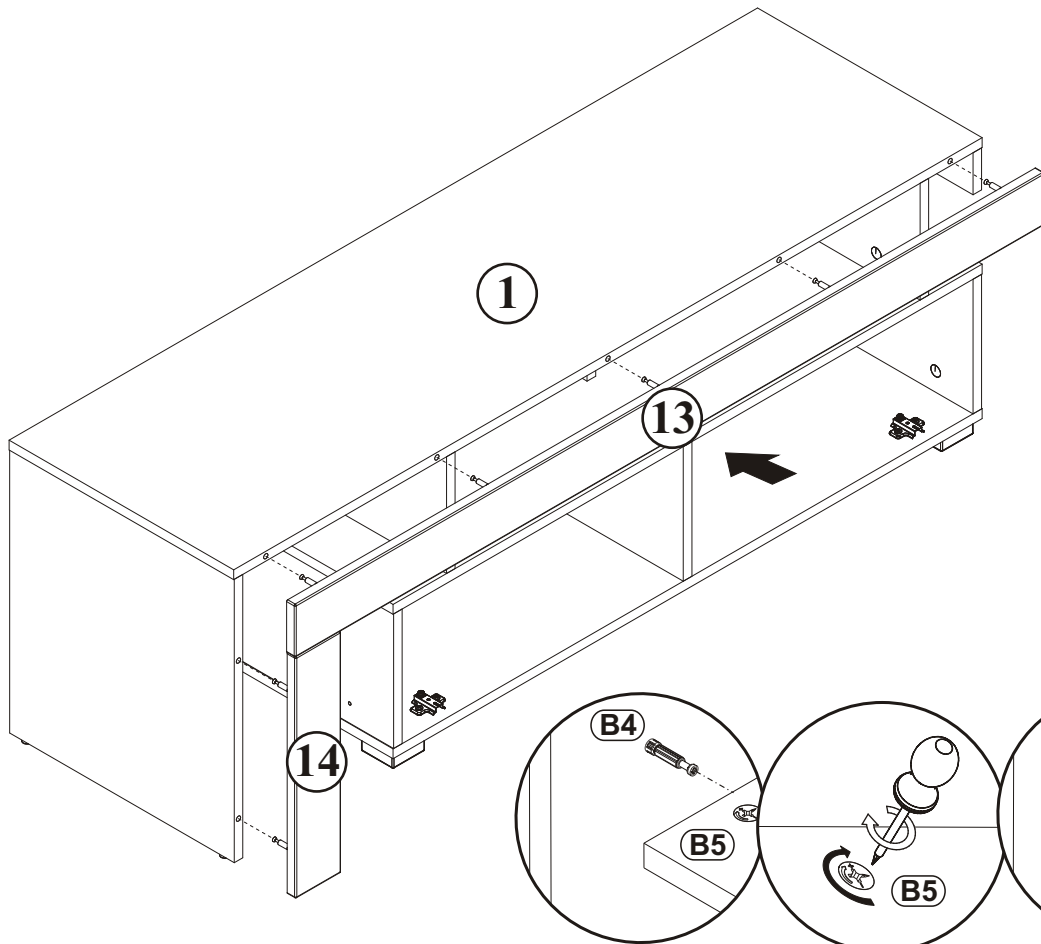
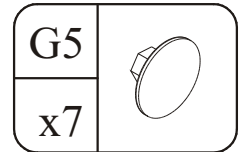
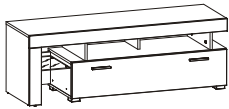
36



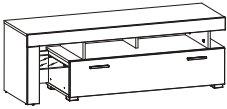
37



38



39

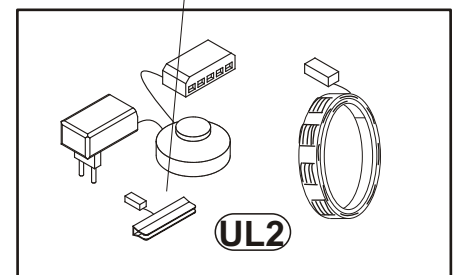
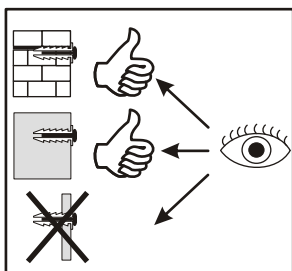
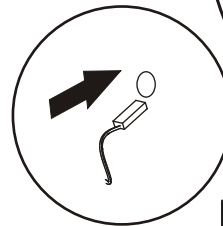
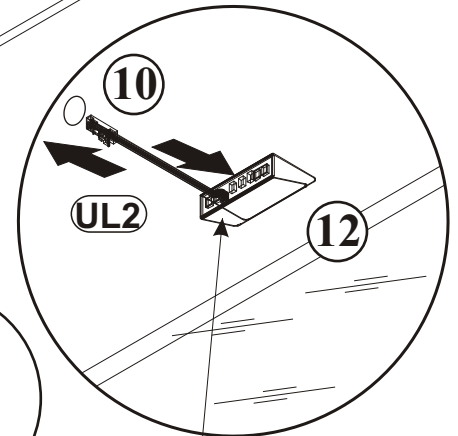
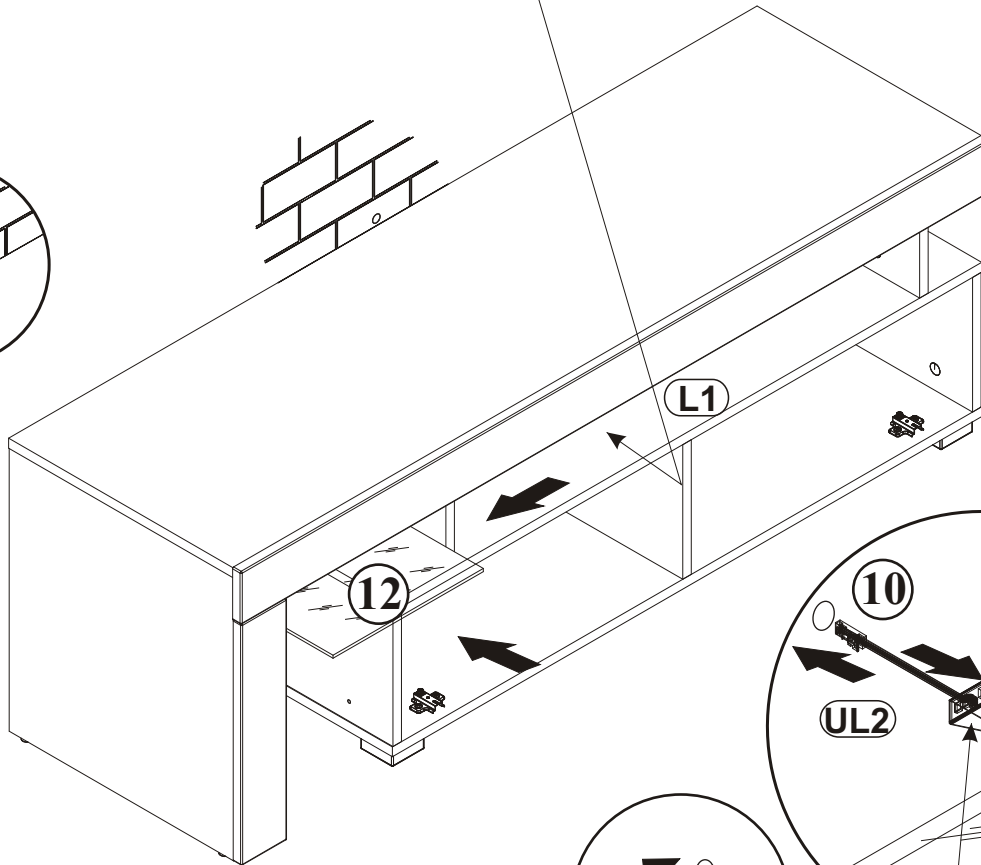
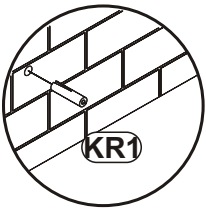
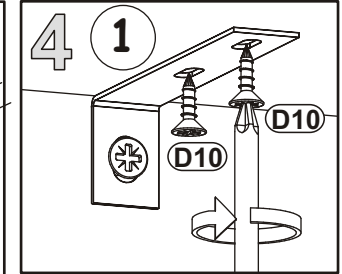
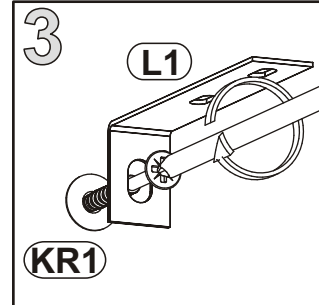
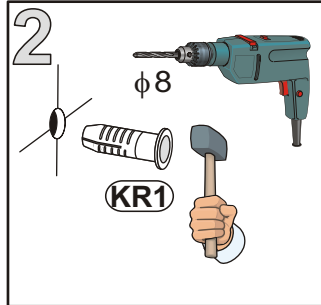
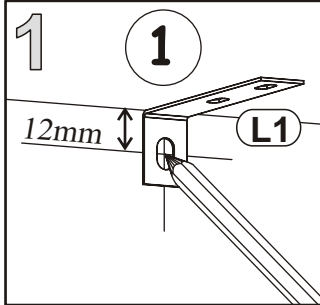


D10	
x2	USØ3,5x13

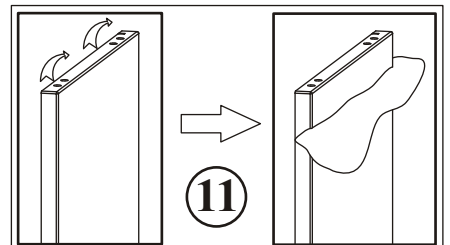
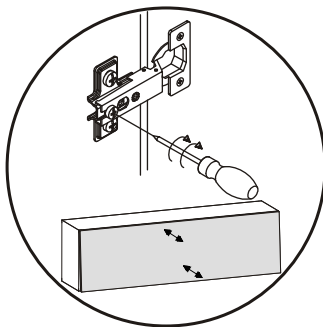
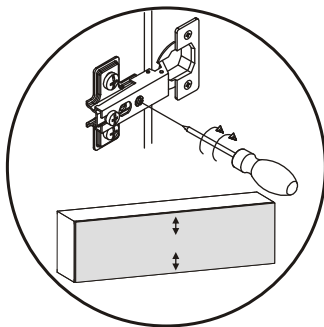
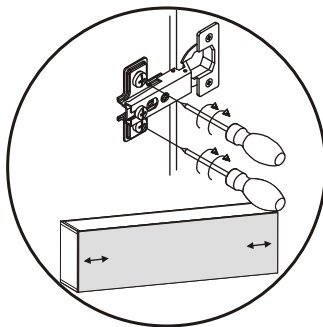
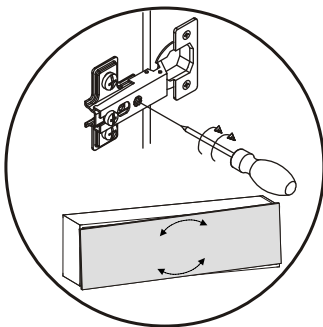
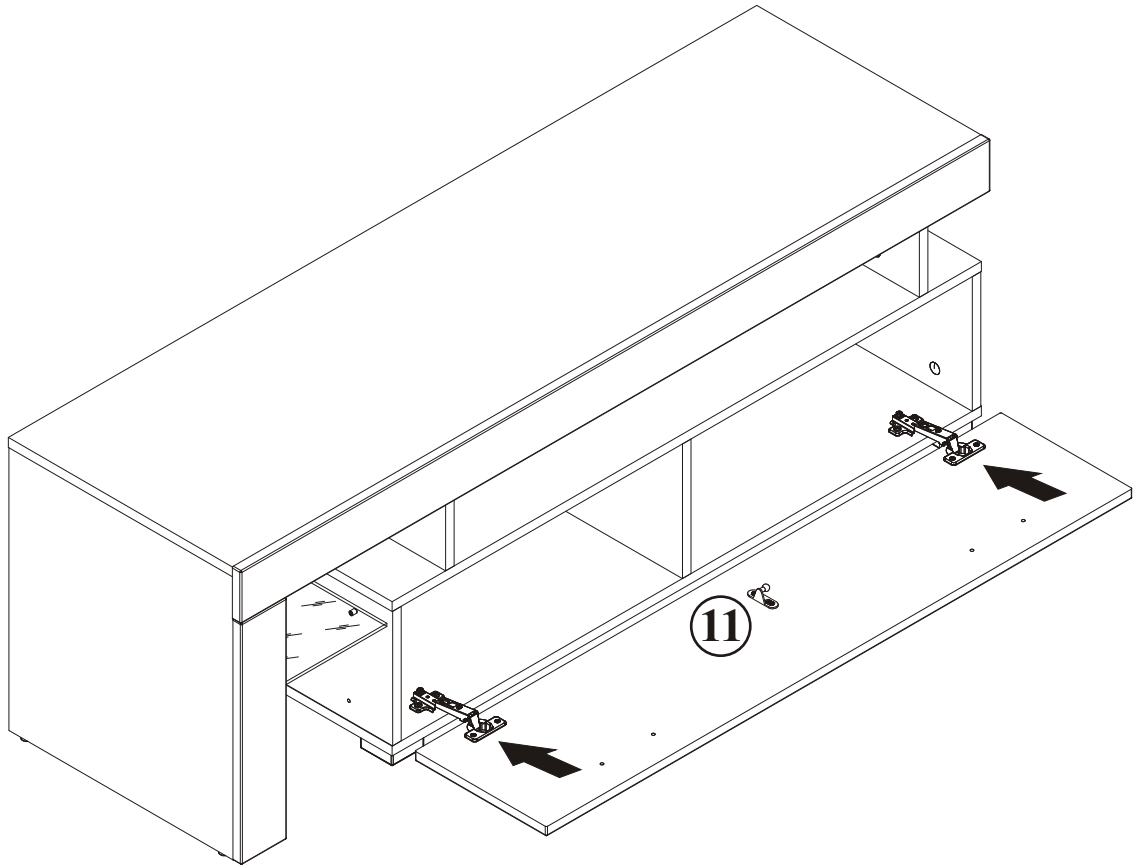
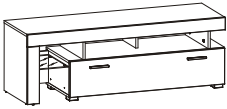
KR1	
x1	Ø8

L1	
x1	

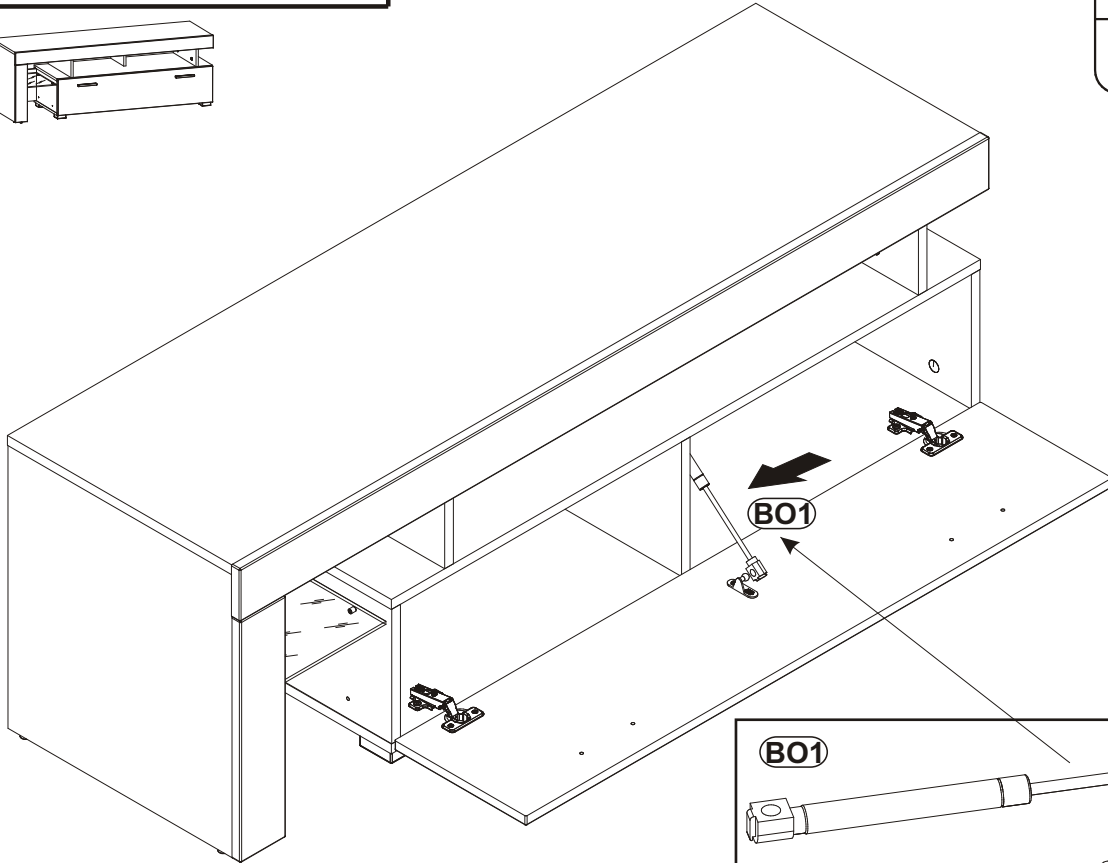
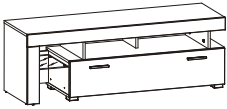
UL2	
x1	1X1 L=850mm



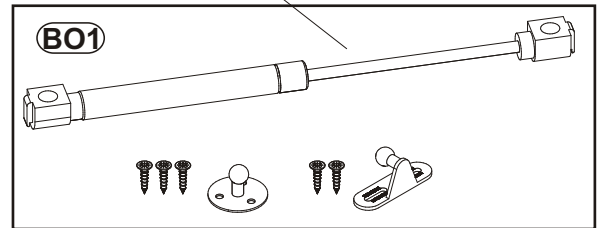
40



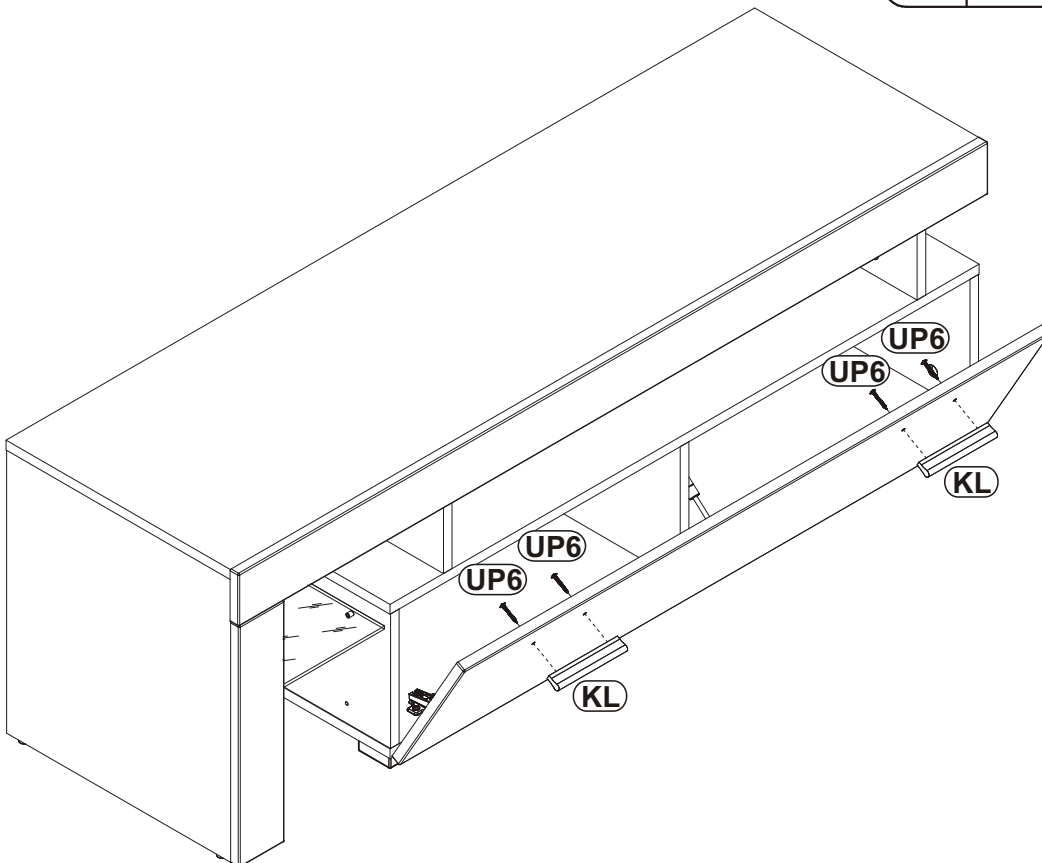
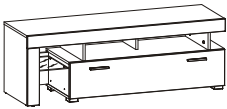
41



B01	
x1	GAZOWY



42



KL	
x2	

UP6	
x4	UP04x30