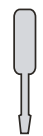
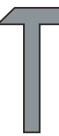
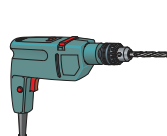
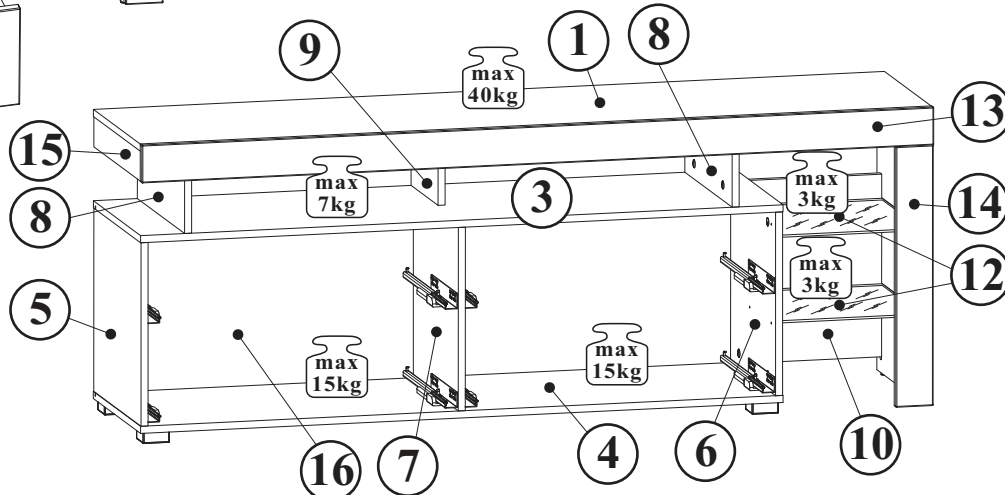
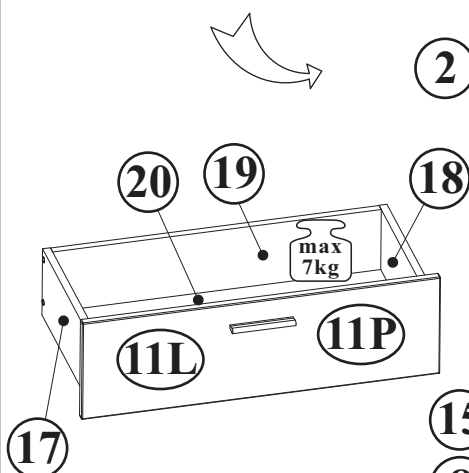
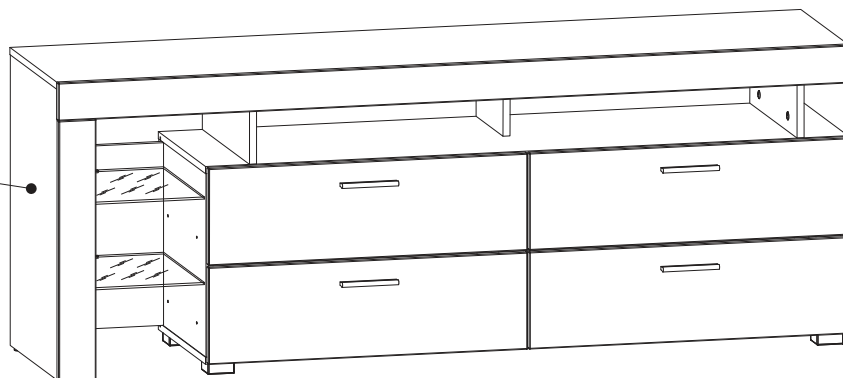
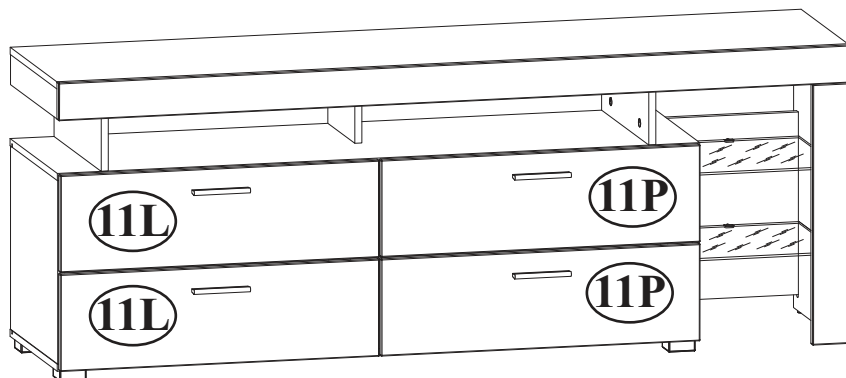
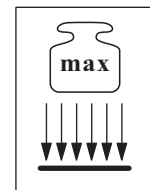


SCORE 2 - TV LOWBOARD -83-151-__

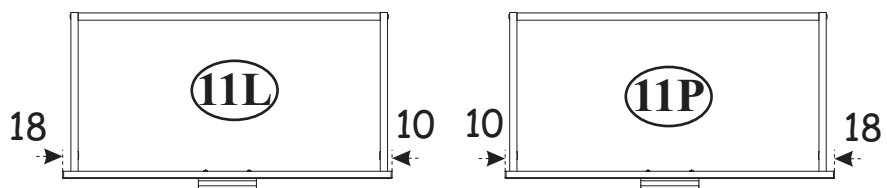
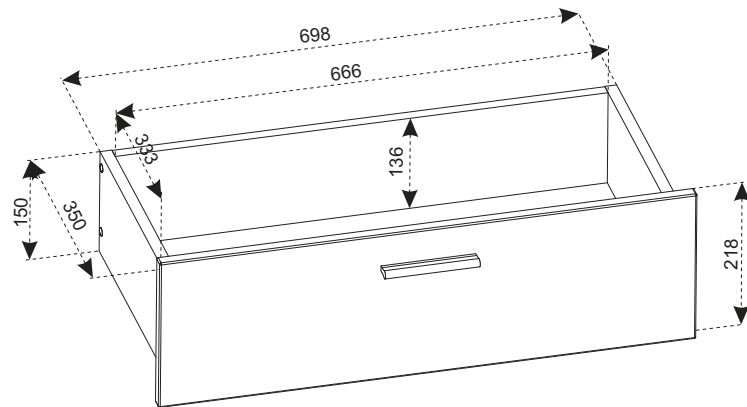
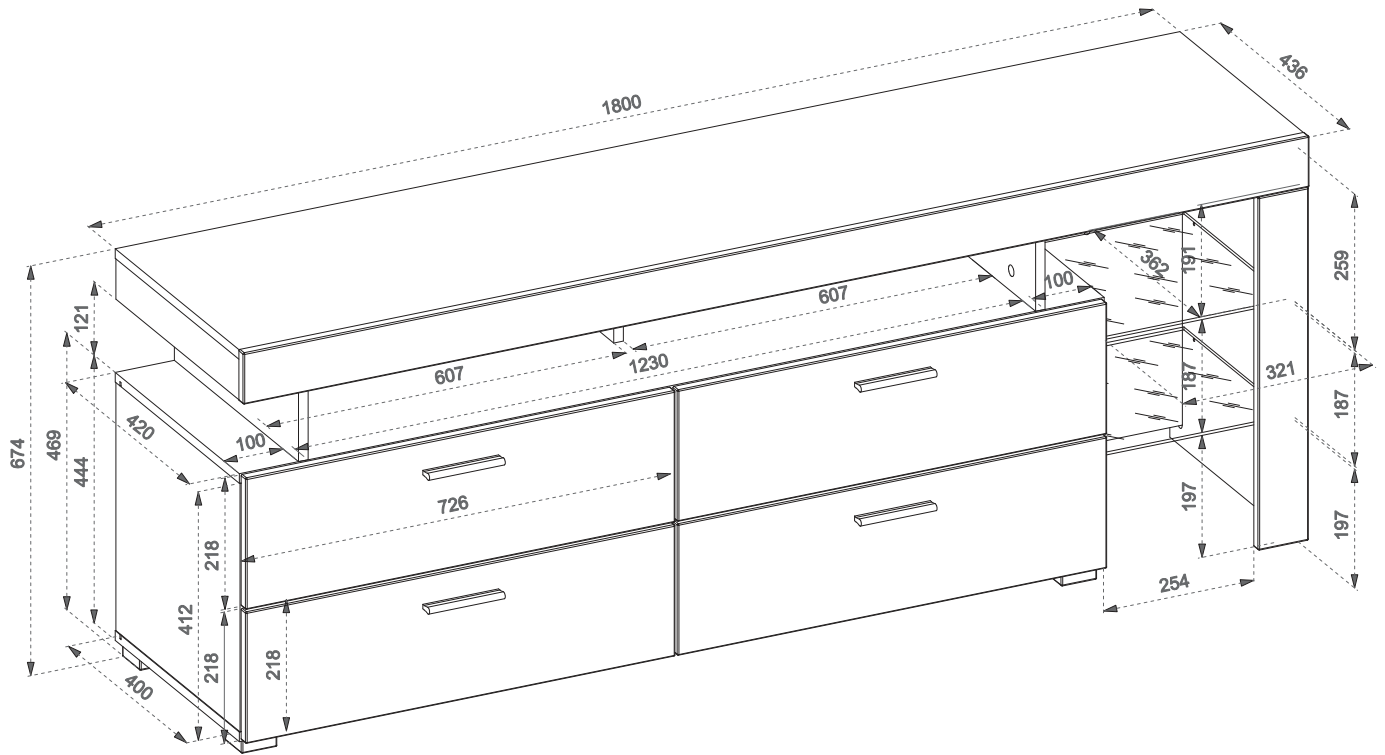


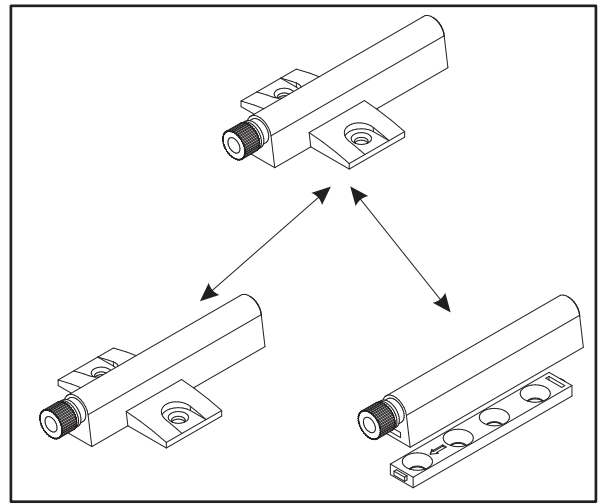
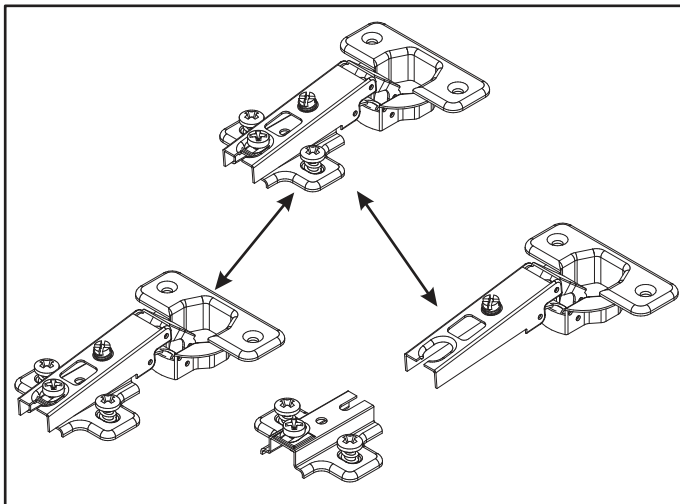
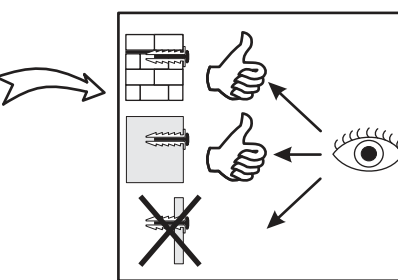
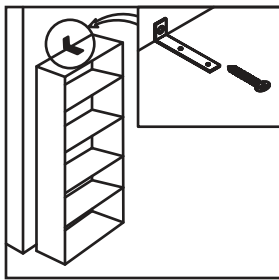
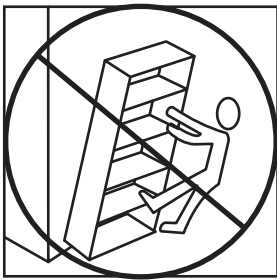
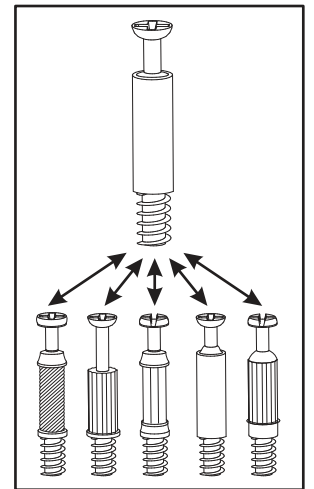
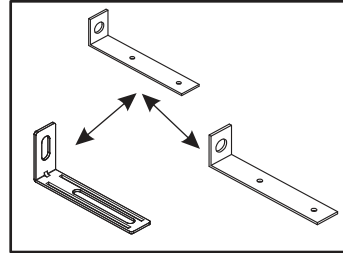
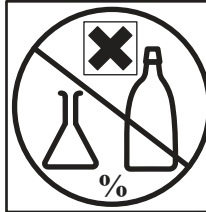
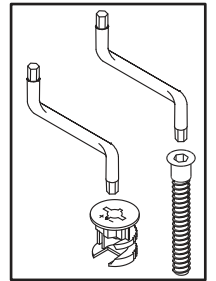
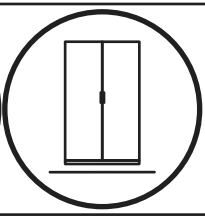
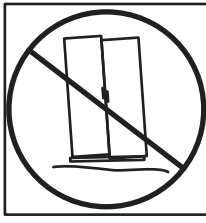
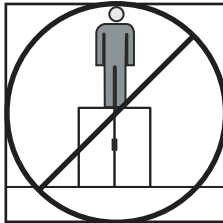
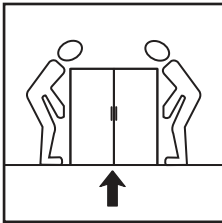
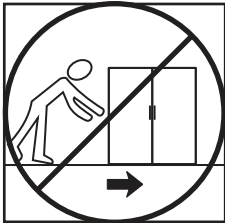
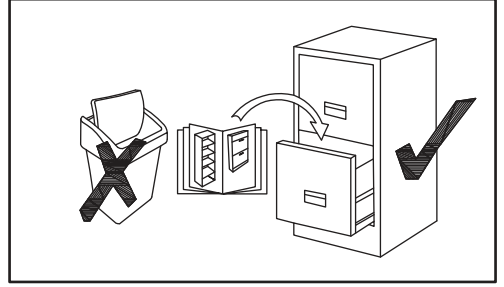
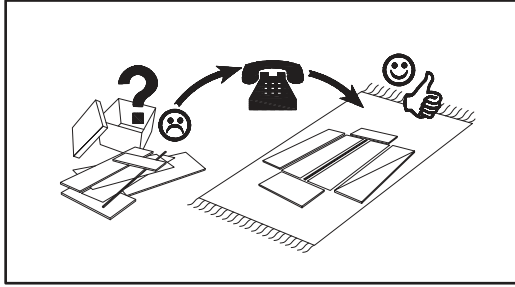
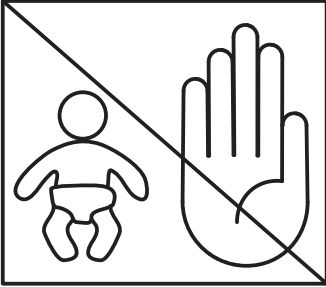
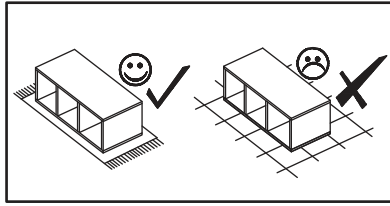
90 min

Č.	Rozměry/Rozmery			Č.bal.	Ks
1	1800	420	16	2	1
2	653	420	16	1	1
3	1462	420	16	2	1
4	1462	420	16	1	1
5	412	420	16	1	1
6	412	420	16	1	1
7	412	400	16	1	1
8	189	420	16	1	2
9	189	240	16	1	1
10	410	322	16	2	1
11L	726	218	16	1	2
11P	726	218	16	1	2

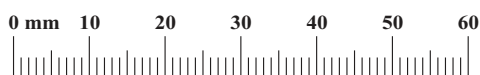
Č.	Rozměry/Rozmery			Č.bal.	Ks
12	362	321	5	2	2
13	1802	85	16	2	1
14	585	85	16	2	1
15	420	68	16	1	1
16	1440	424	3	2	1
17	350	150	16	1	4
18	350	150	16	1	4
19	666	136	16	1	4
20	354	678	3	1	4

SCORE 2 - TV LOWBOARD -83-151-__

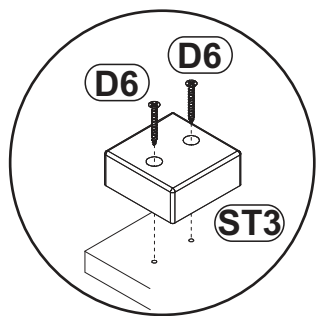




A1 x50 Ø8x36	B11 x16 Ø7x50	G4 x16 C	B4 x57 34	B5 x57 Ø15x12	G5 x57
G20 x8	KL x4	UP6 x8 UPØ4x30	KR1 x2 Ø8	L1 x2	S1 x24
I2 x2	ST3 x5 60x60x25	H7 x4 L-350mm.	D6 x10 USØ3,5x30	D10 x20 USØ3,5x13	UP13 x18 UPØ3x16
D20 x16 ESØ6,3x9,5	CL x2	G8 x3 Ø20	Z2 x6 Ø5	Z4 x2 Ø8	G2 x1
UL2 x1 1x1 L=1200mm					



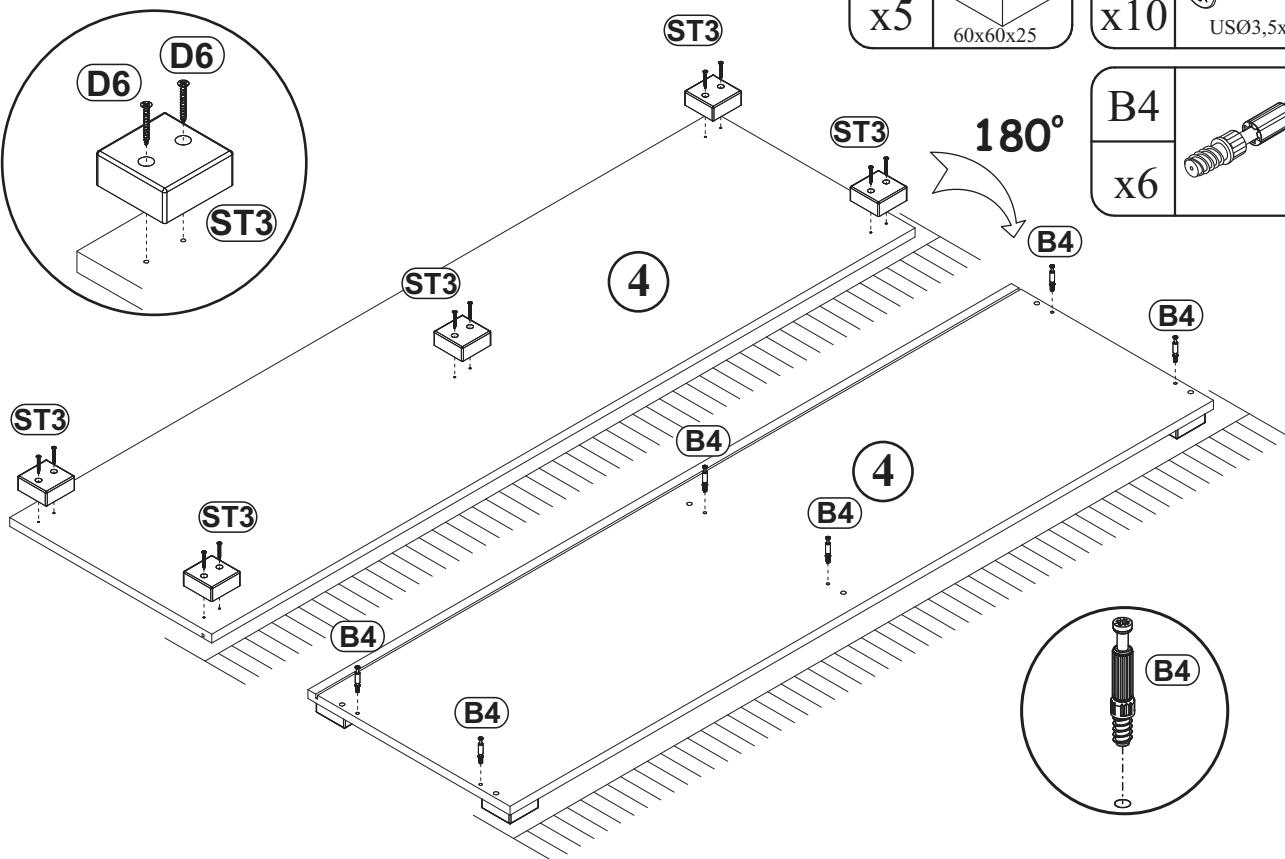
1



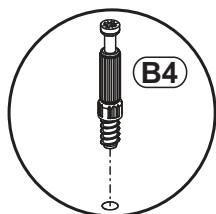
ST3	
x5	60x60x25

D6	
x10	USØ3,5x30

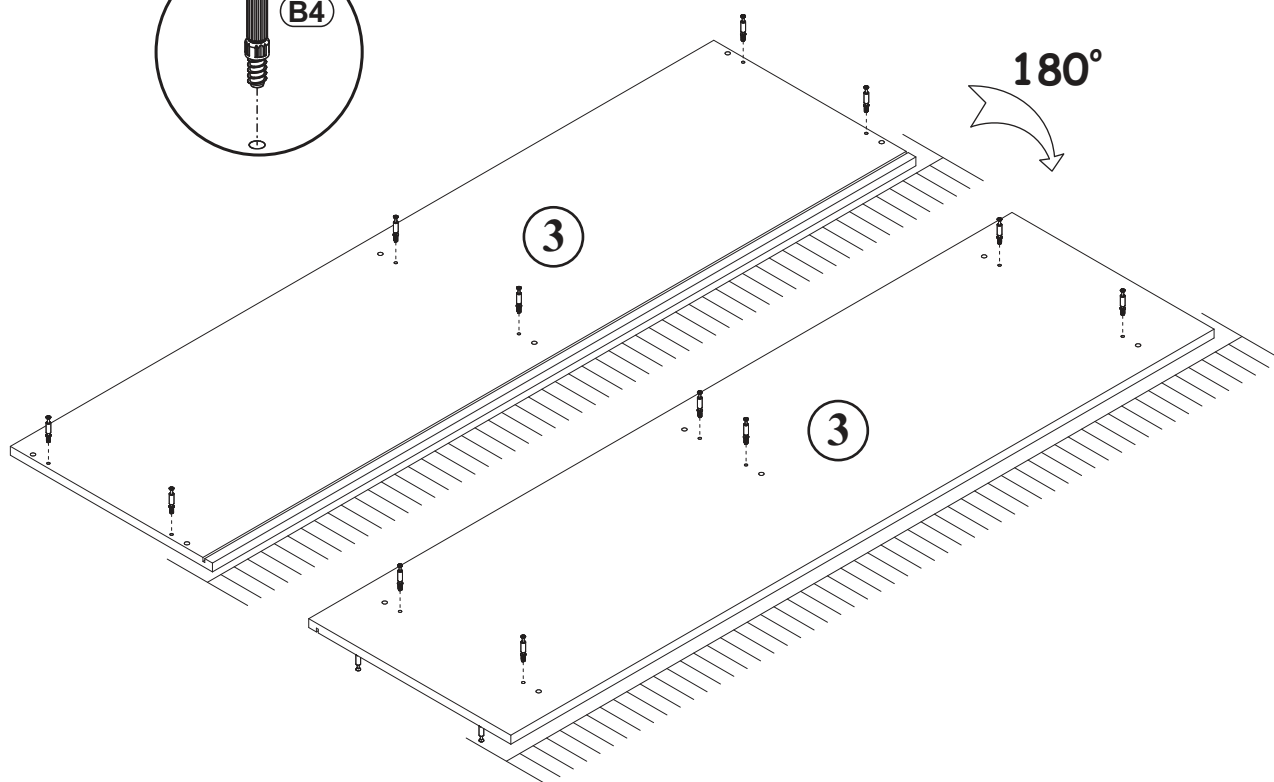
B4	
x6	

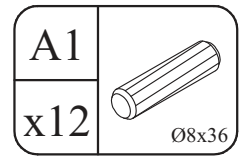
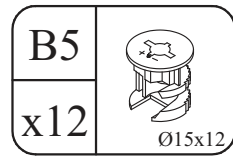
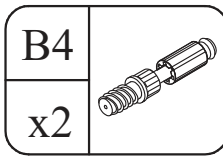


2

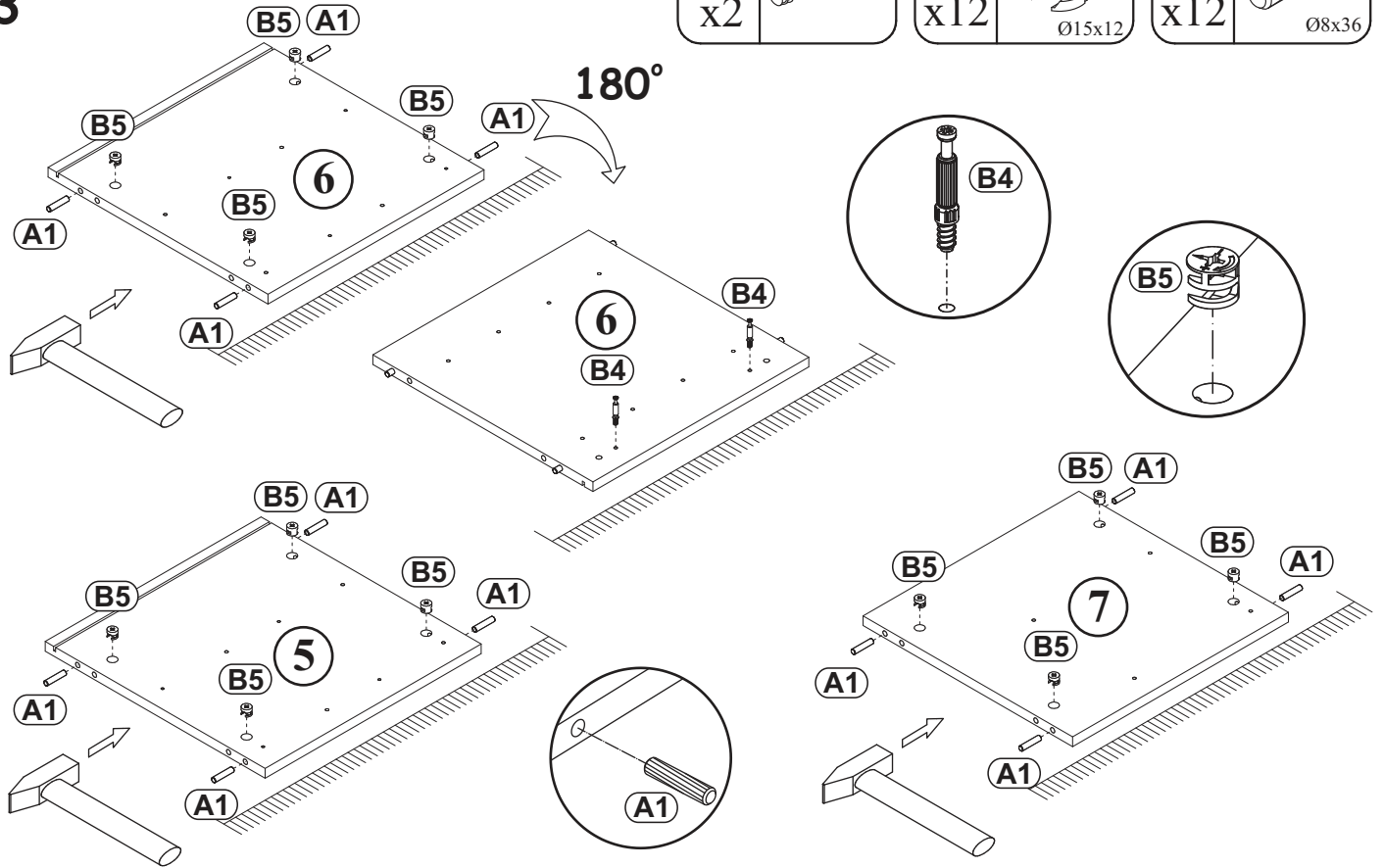


B4	
x12	

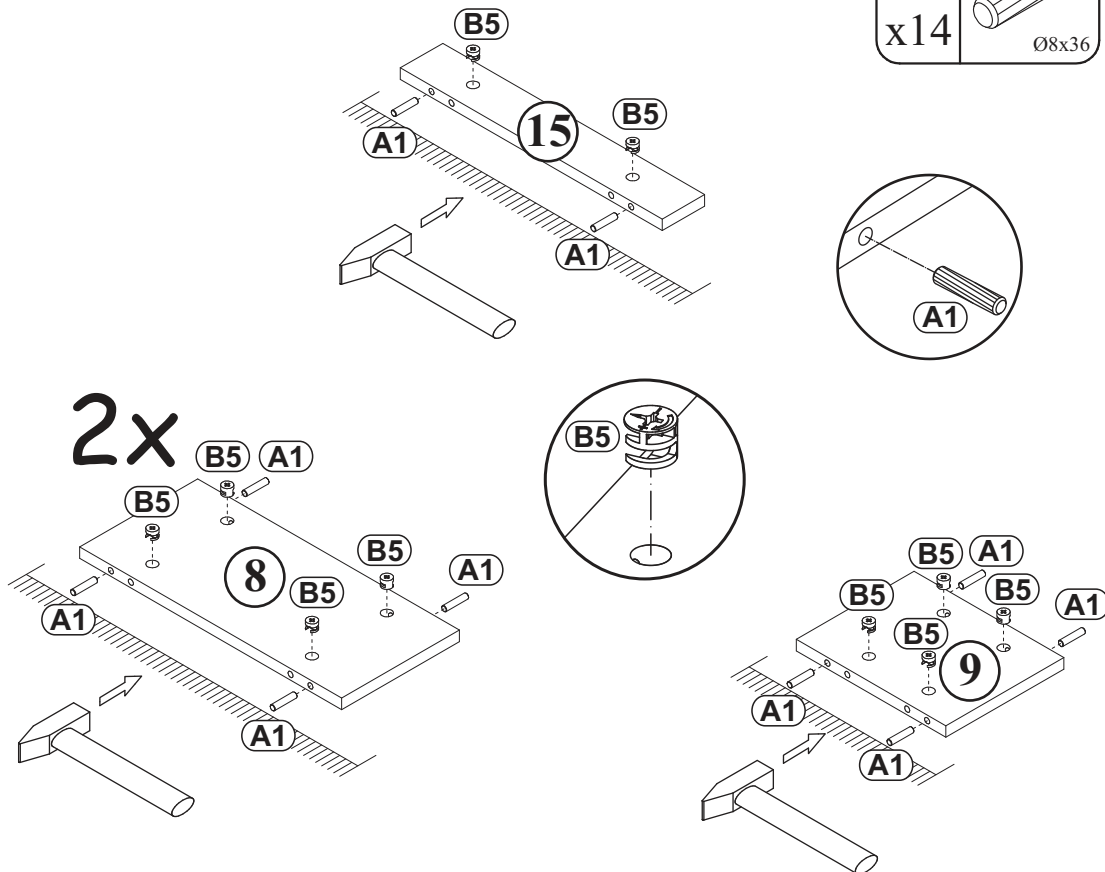
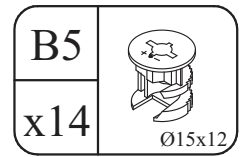
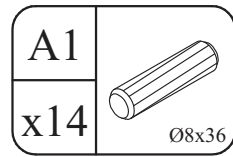




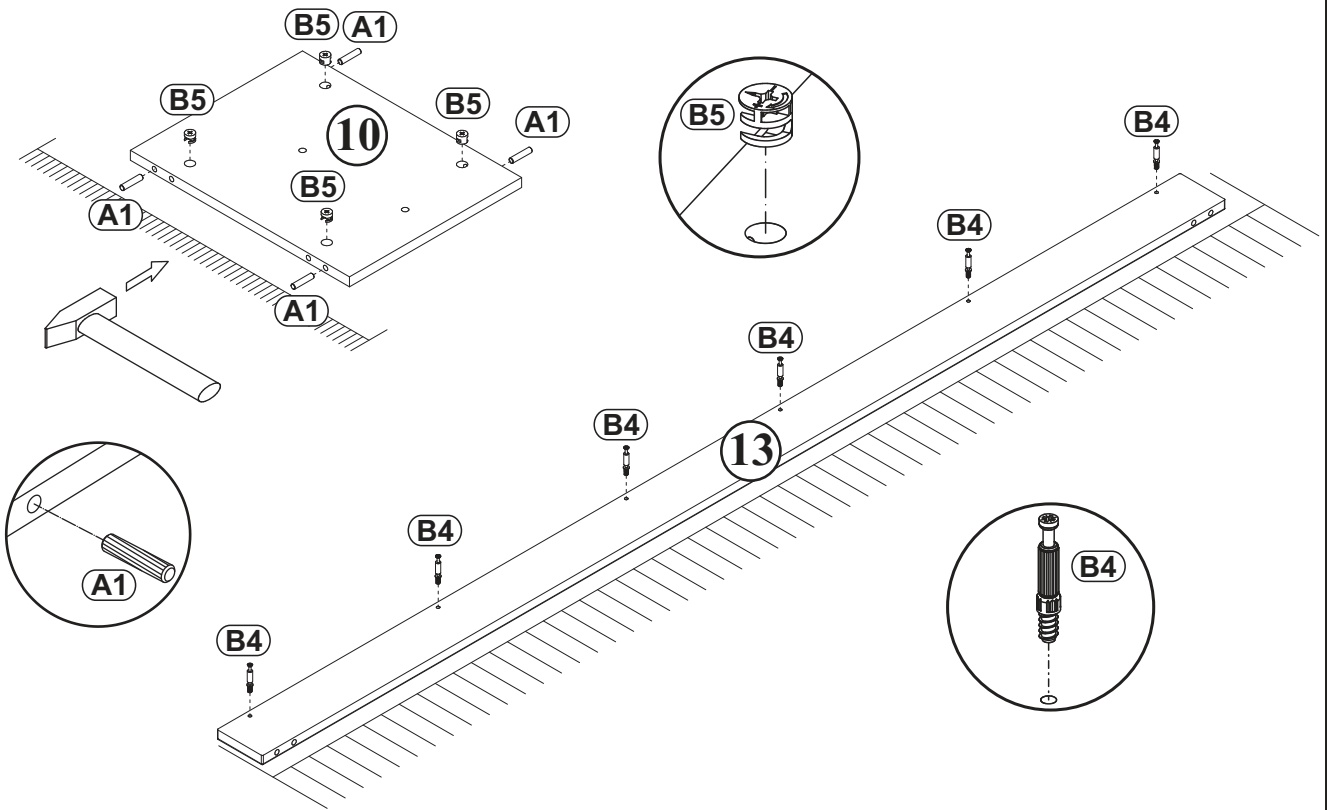
3



4



5

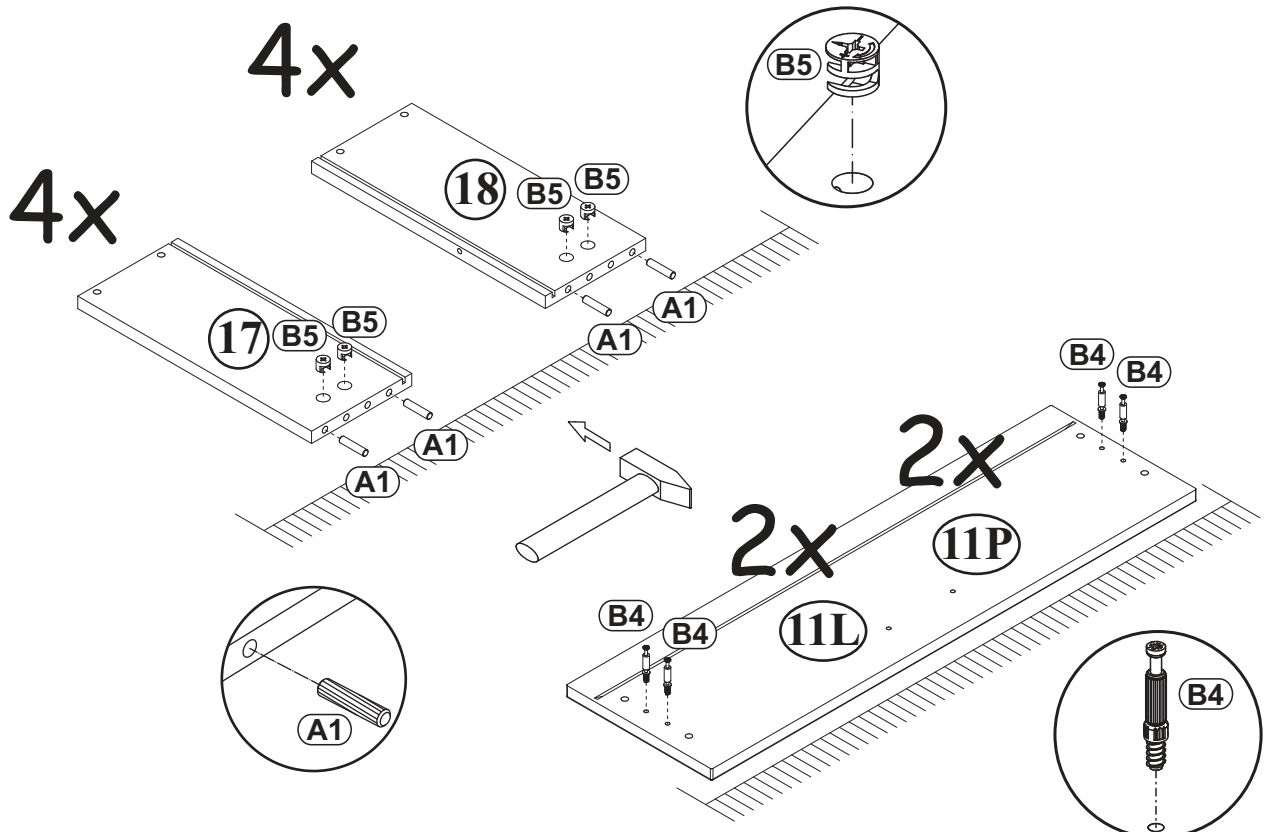
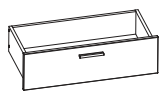


B5	
x4	Ø15x12

A1	
x4	Ø8x36

B4	
x6	

6

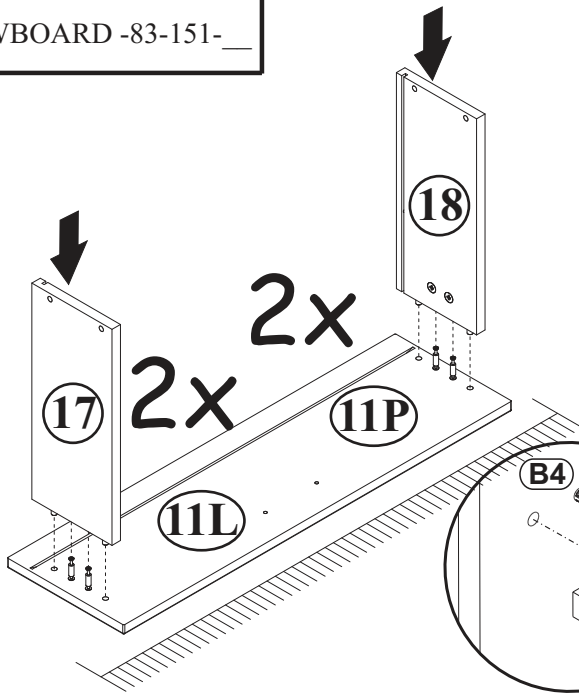
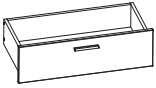


B5	
x16	Ø15x12

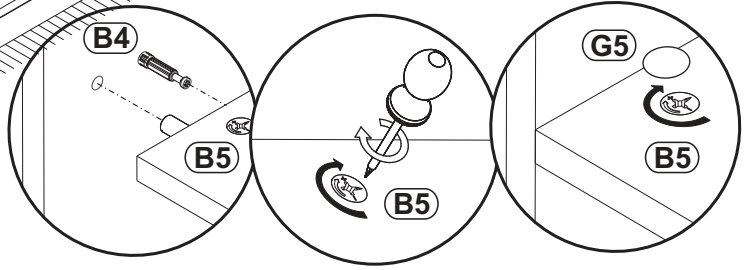
A1	
x16	Ø8x36

B4	
x16	

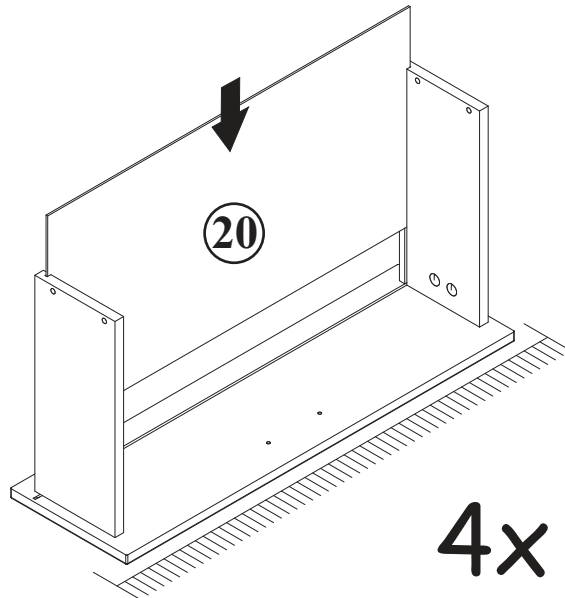
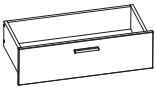
7



G5	
x16	

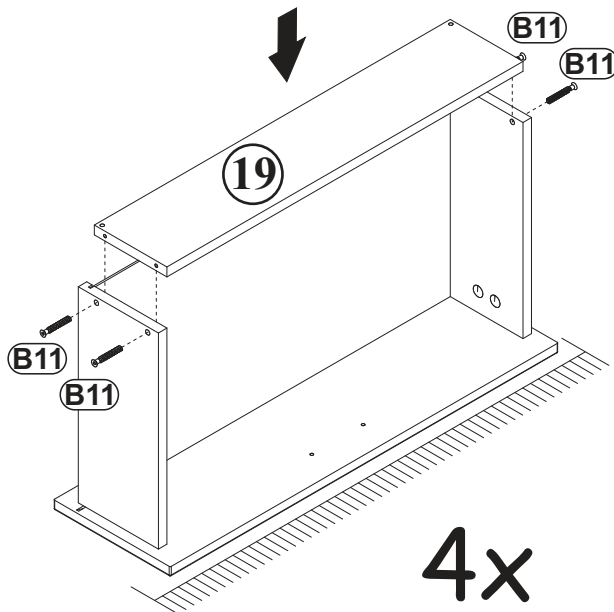
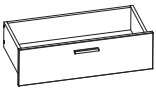


8



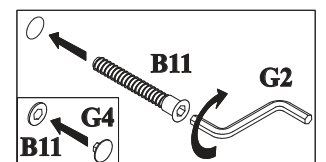
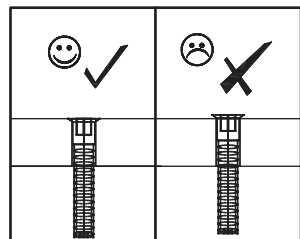
4x

9

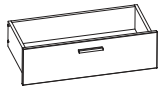


B11	
x16	Ø7x50

G4	
x16	C

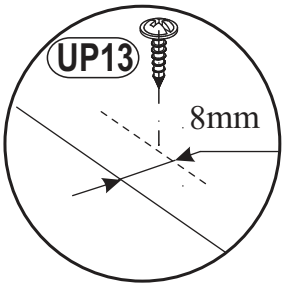
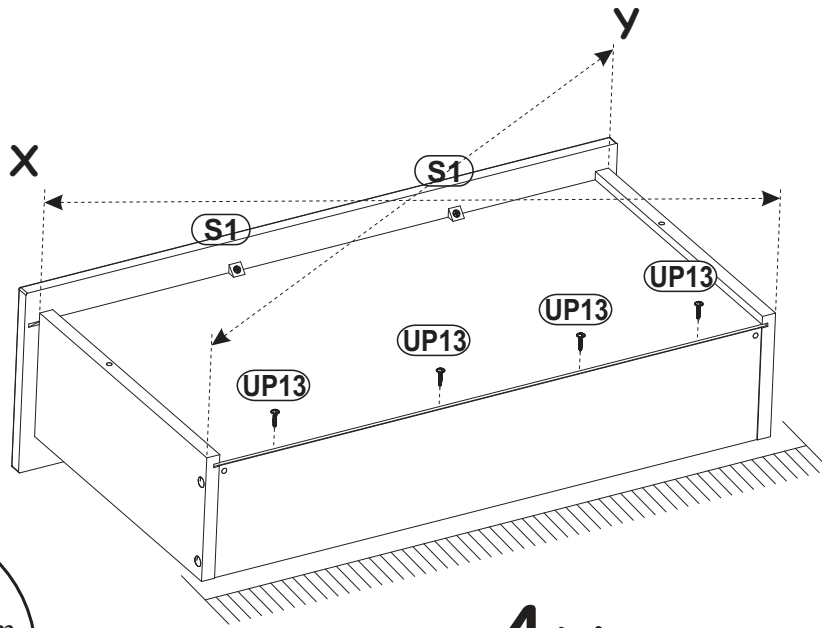


10

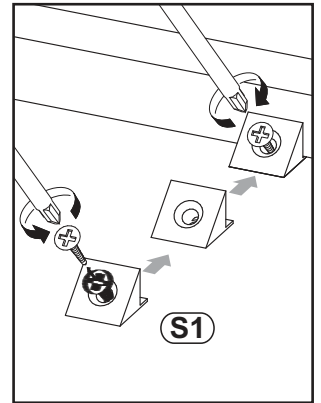


S1	
x8	

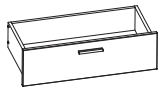
UP13	
x16	UPØ3x16



4x

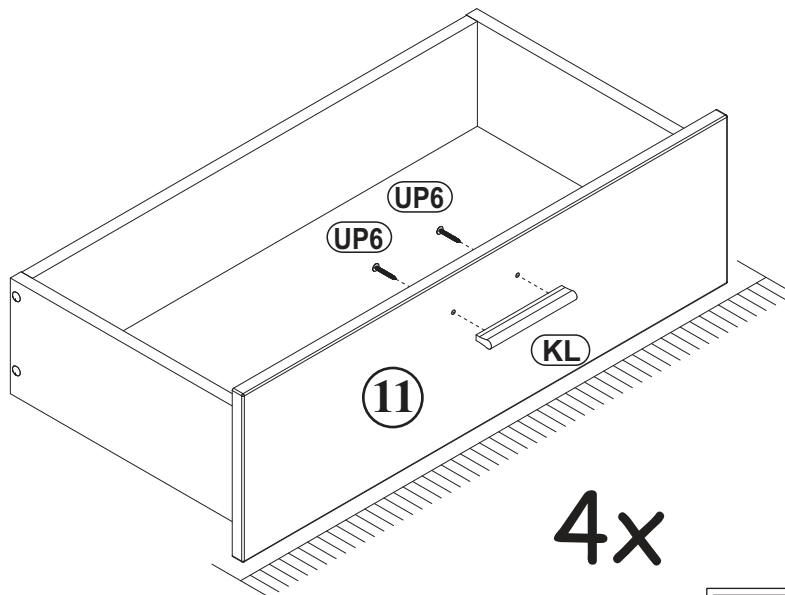


11

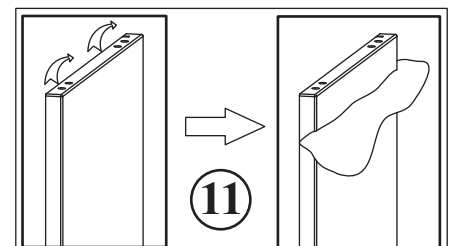


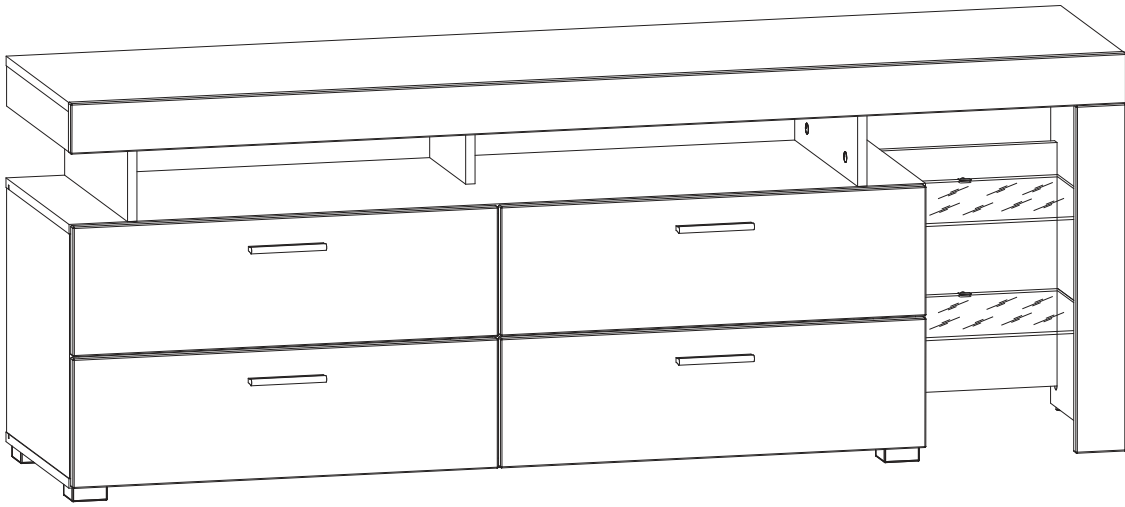
KL	
x4	

UP6	
x8	UPØ4x30

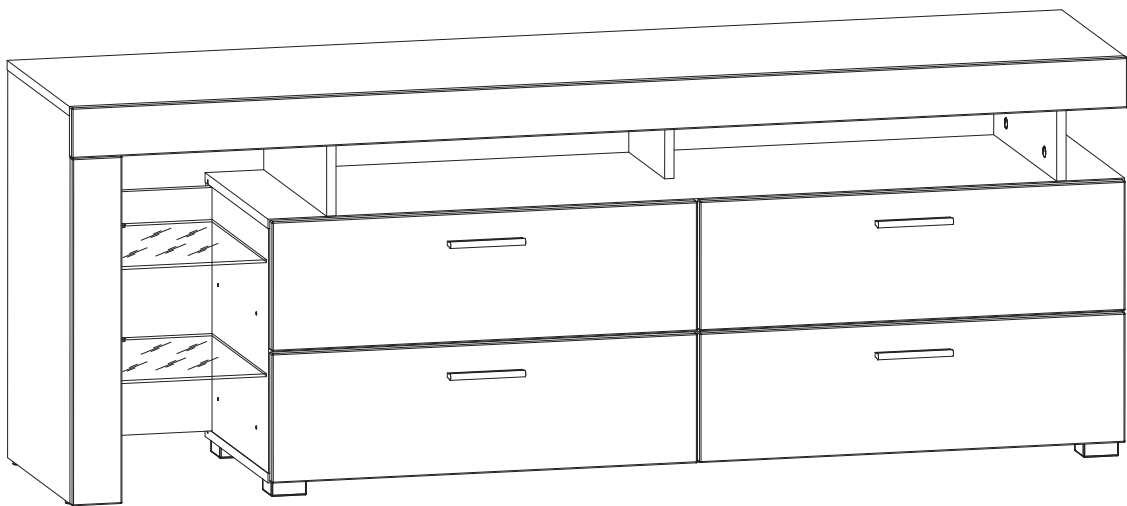


4x



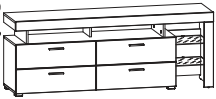


12-27



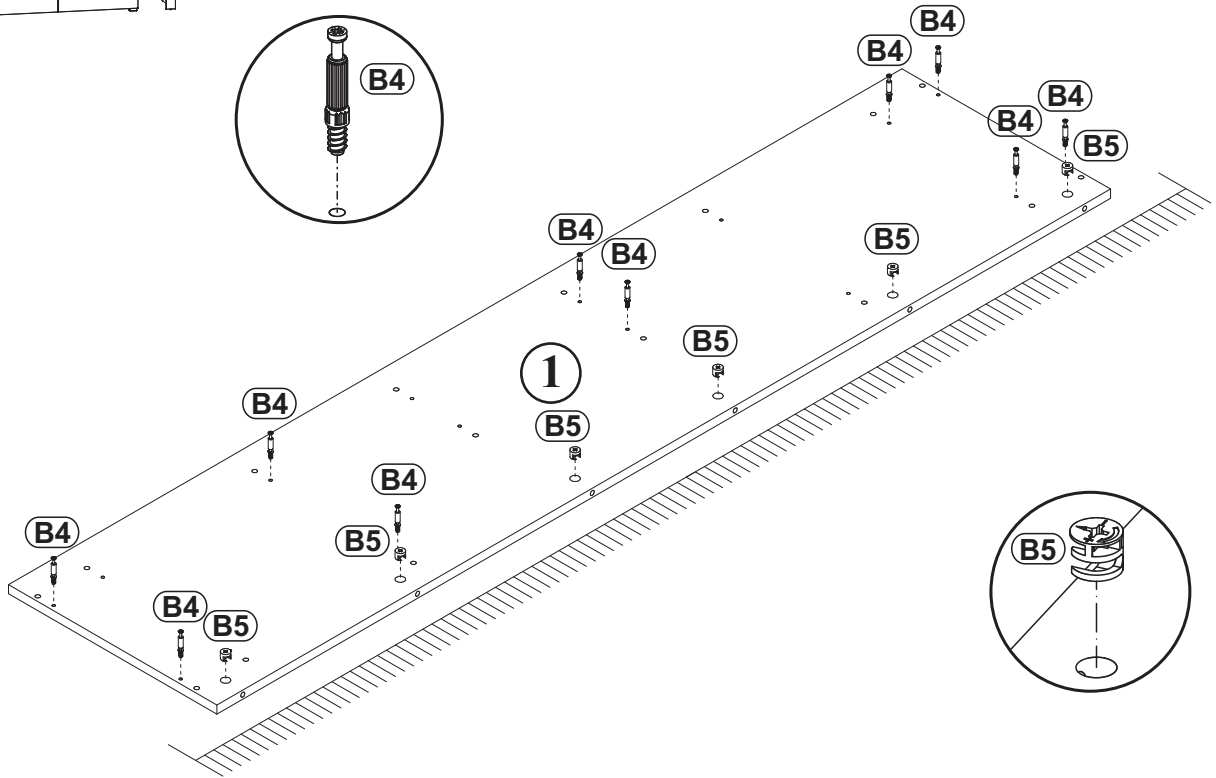
28-43

12

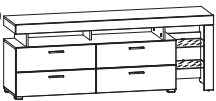


B4	
x10	34

B5	
x6	Ø15x12



13



G8	
x3	Ø20

A1	
x4	Ø8x36

B4	
x5	34

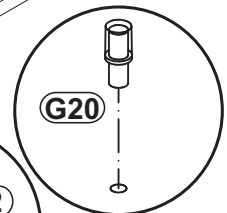
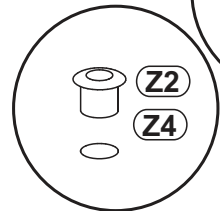
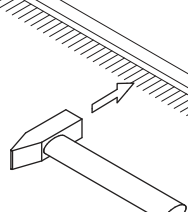
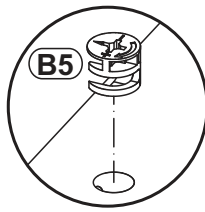
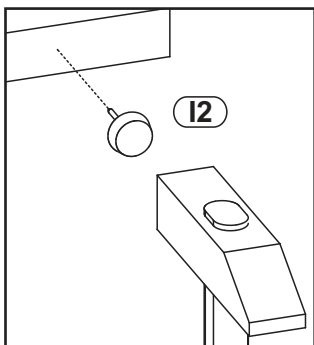
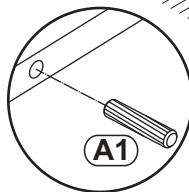
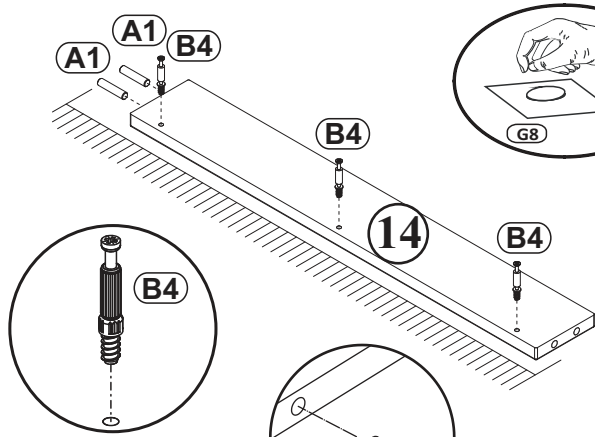
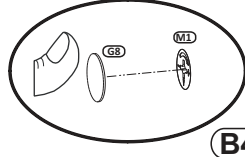
B5	
x5	Ø15x12

Z2	
x2	Ø5

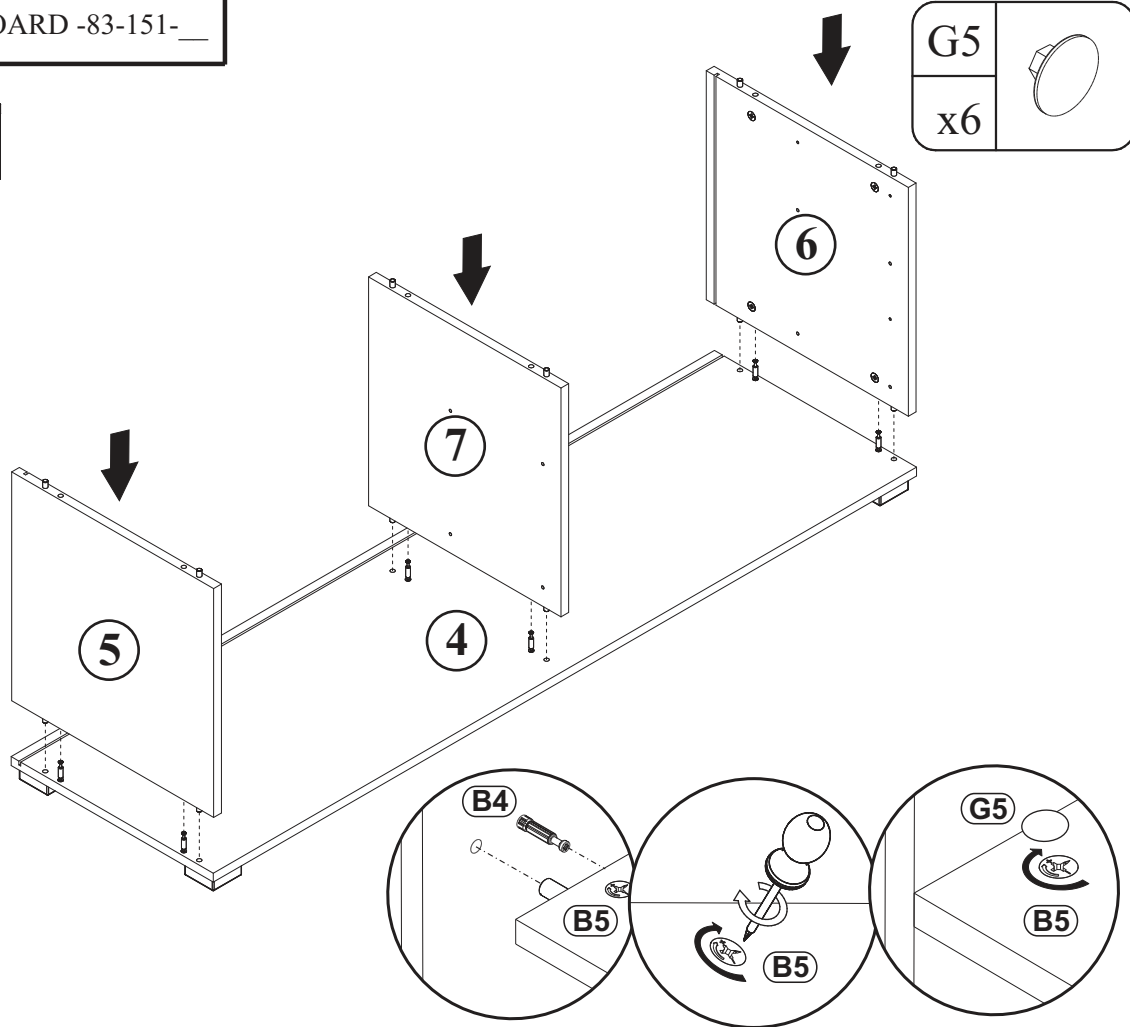
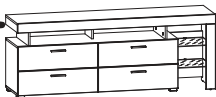
Z4	
x2	Ø8

G20	
x4	

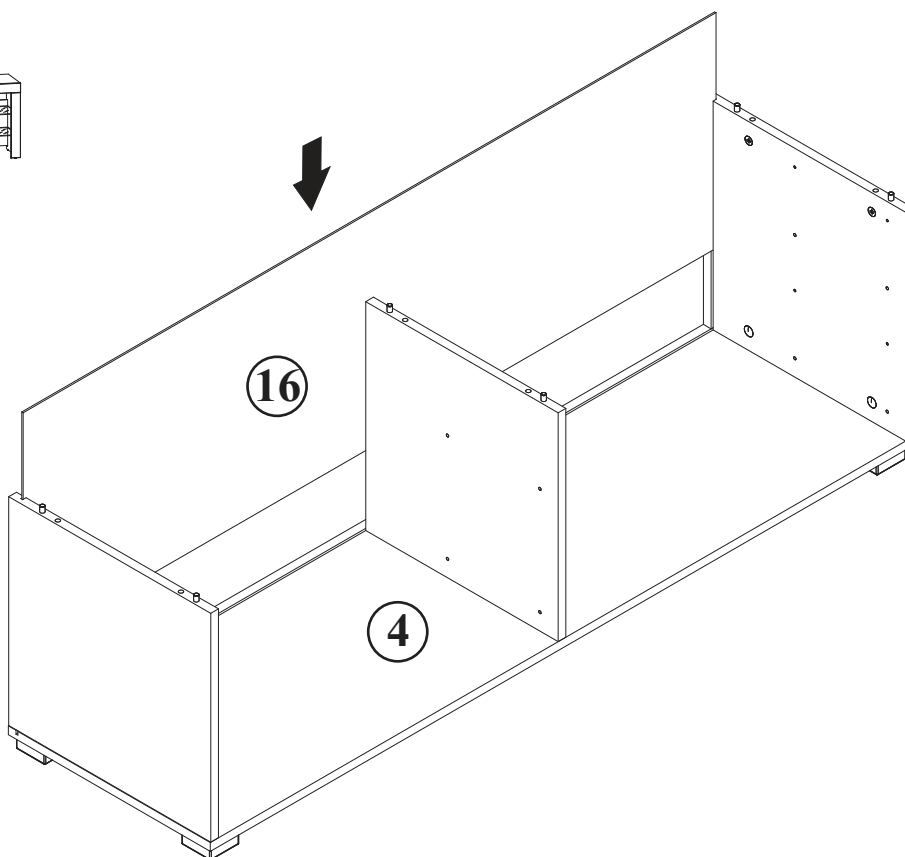
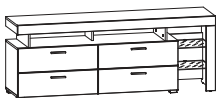
I2	
x2	




14

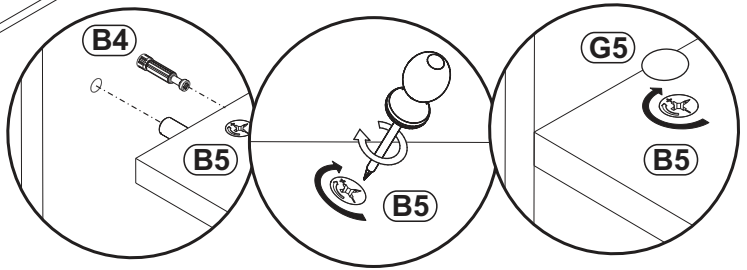
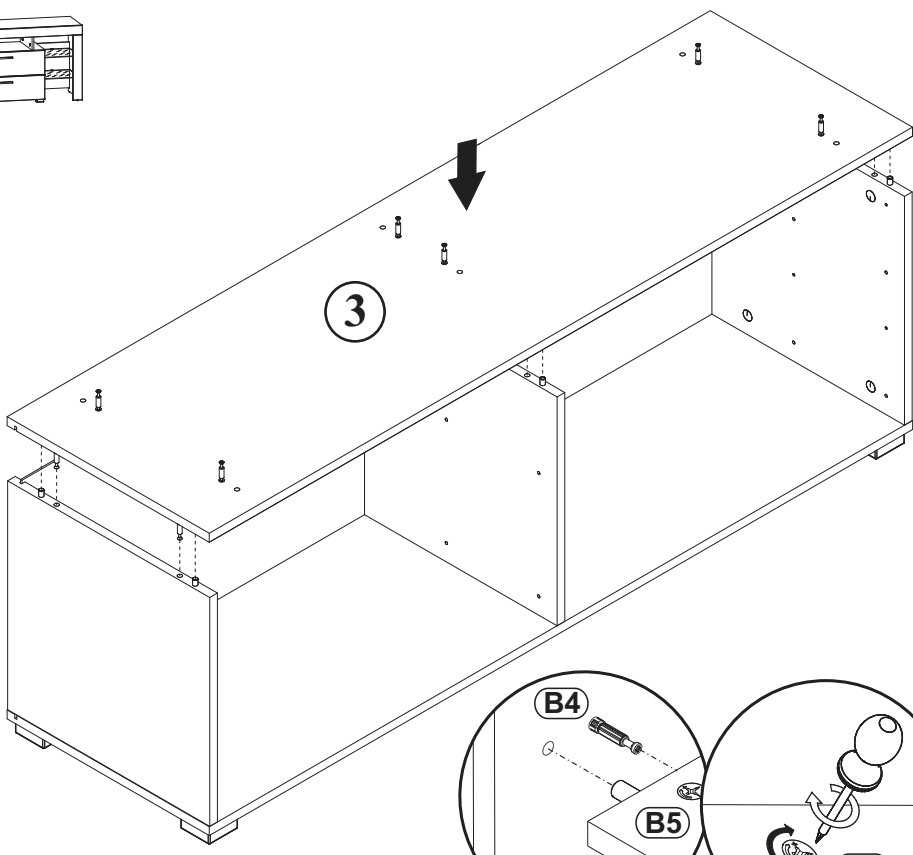
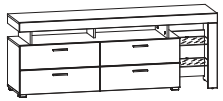


15

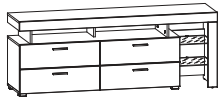



G5	
x6	

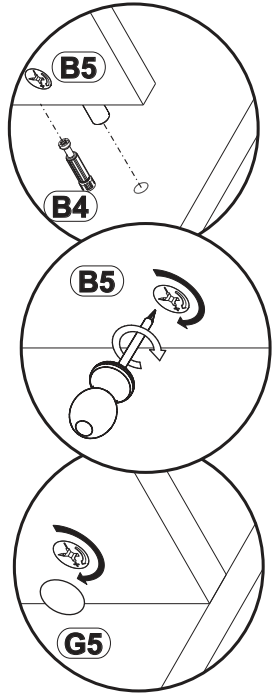
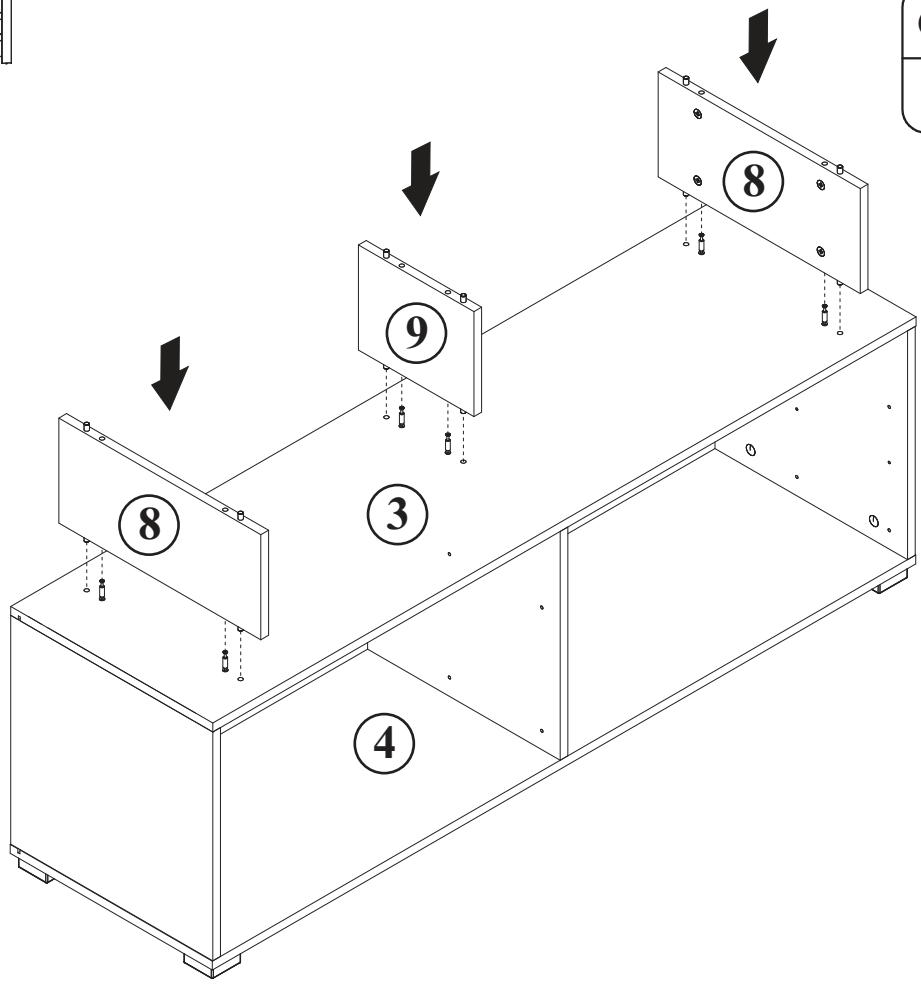
16



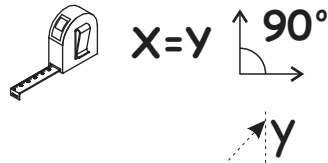
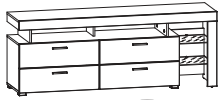
17



G5	
x6	

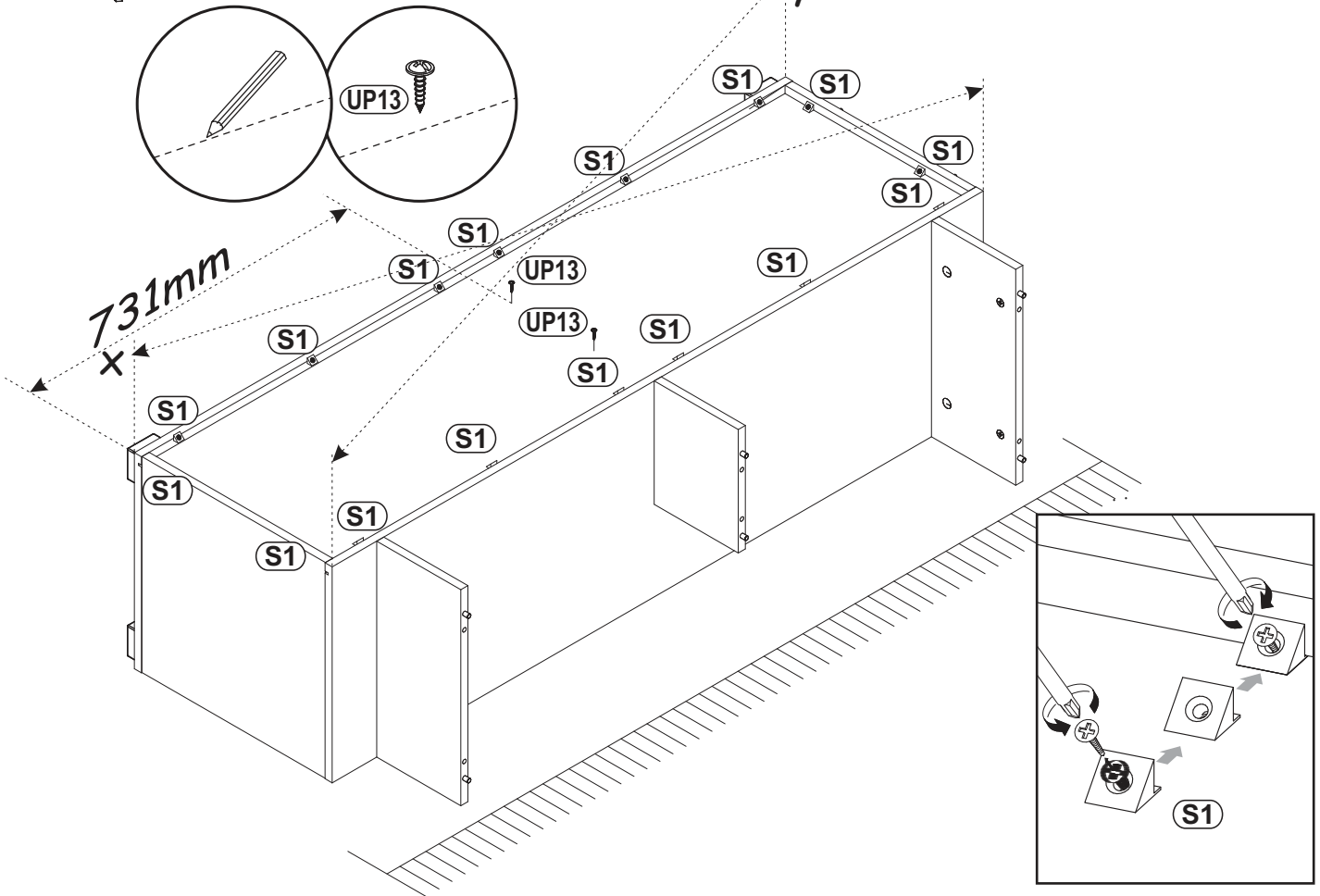


18

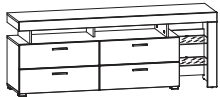


S1	
x16	

UP13	
x2	UPØ3x16



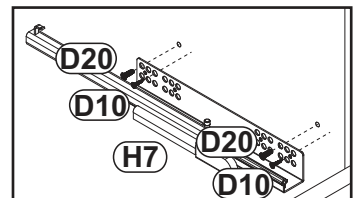
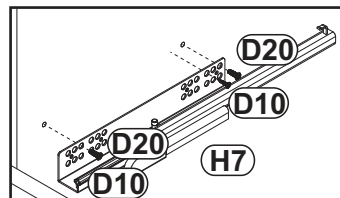
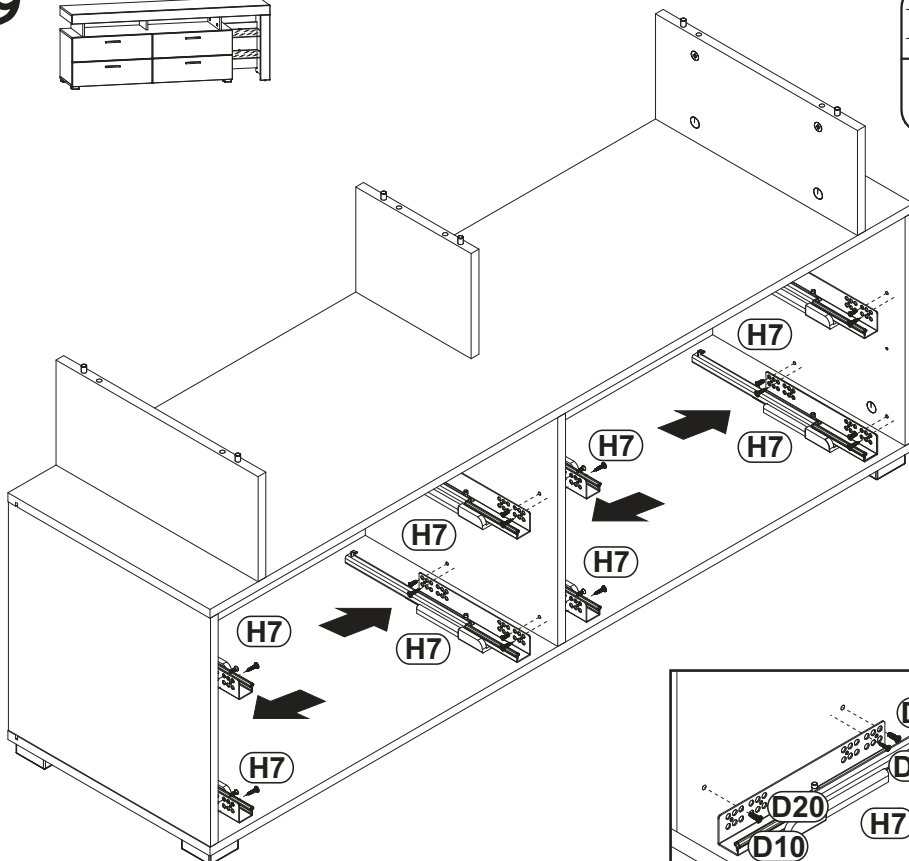
19






D20	
x16	ESØ6,3x9,5

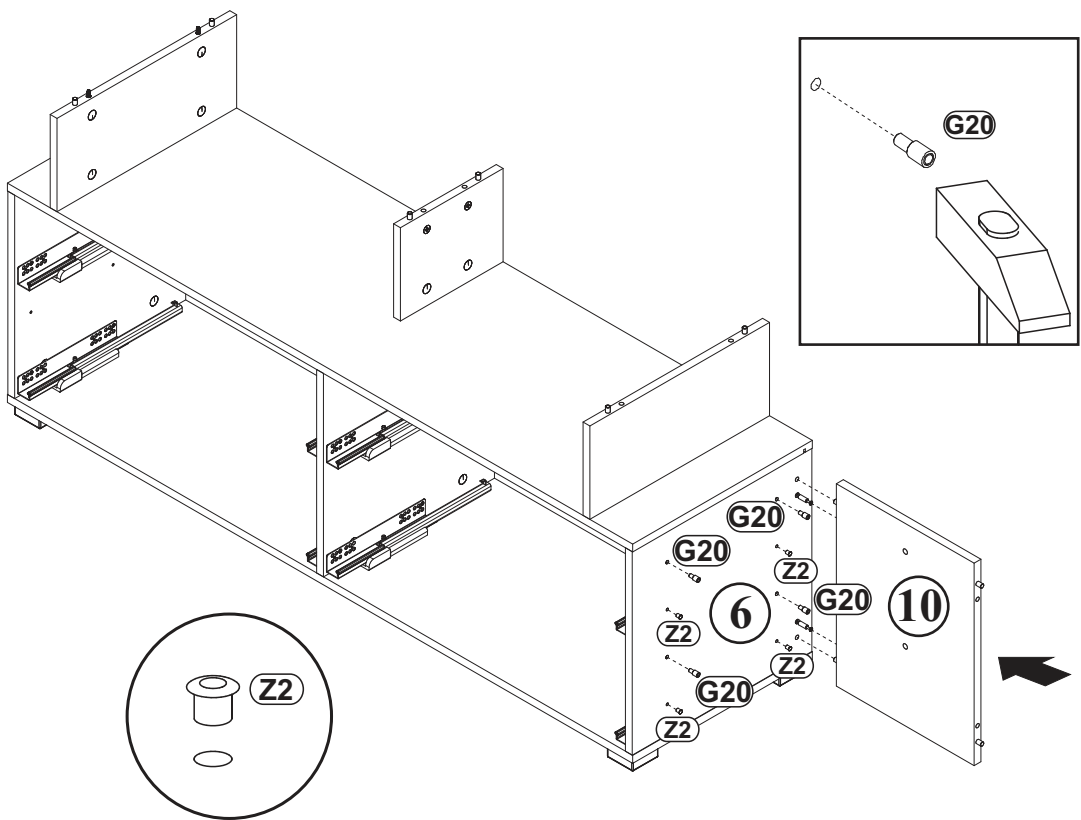
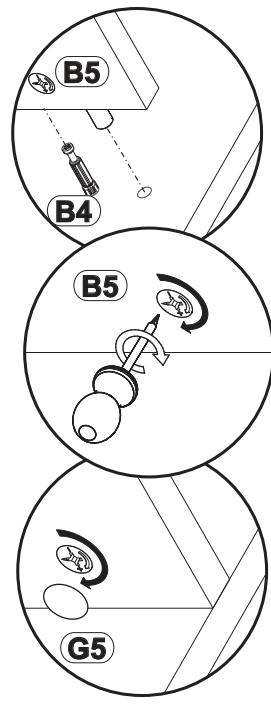
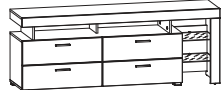
H7	
x4	L-350mm.

D10	
x16	USØ3,5x13

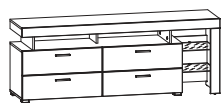



Z2		G5		G20	
x4	∅5	x2		x4	

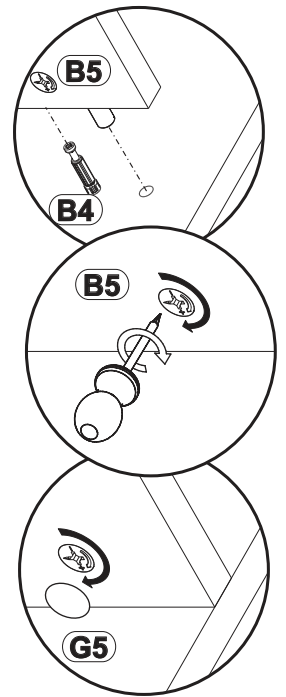
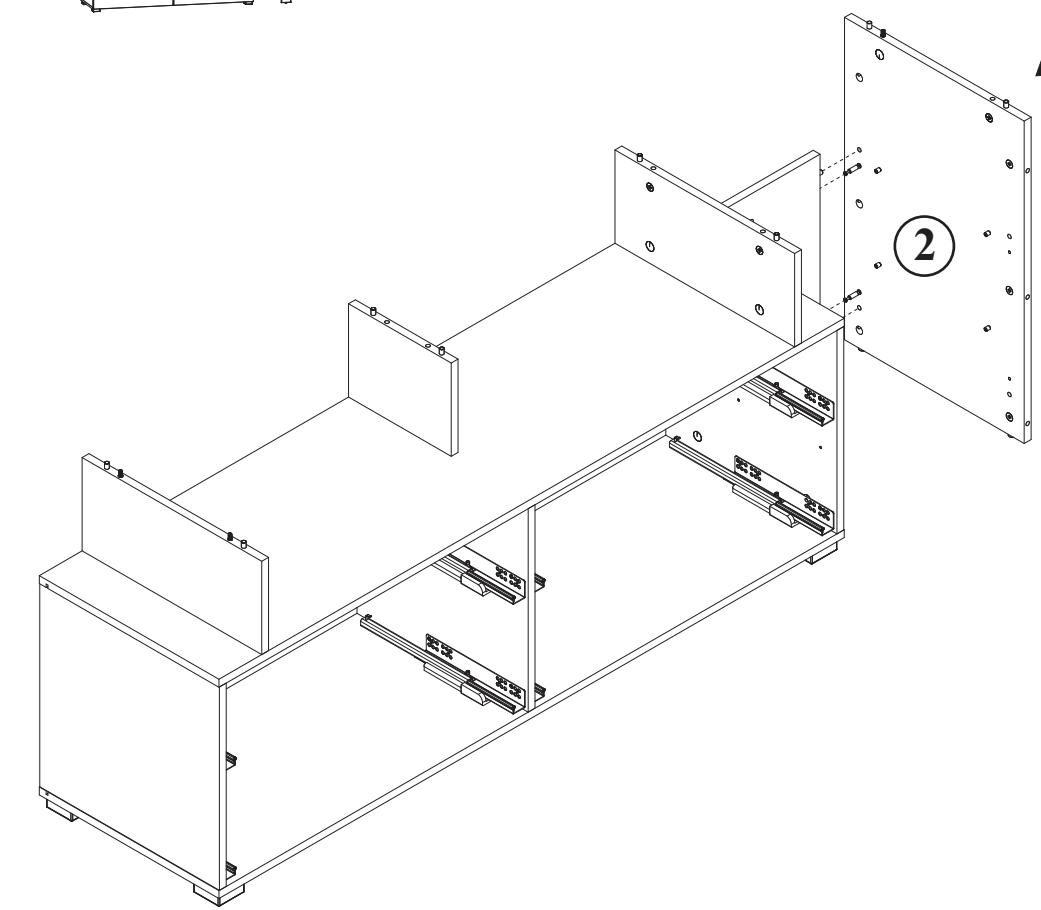
20



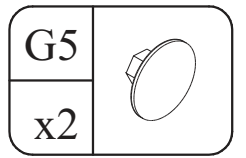
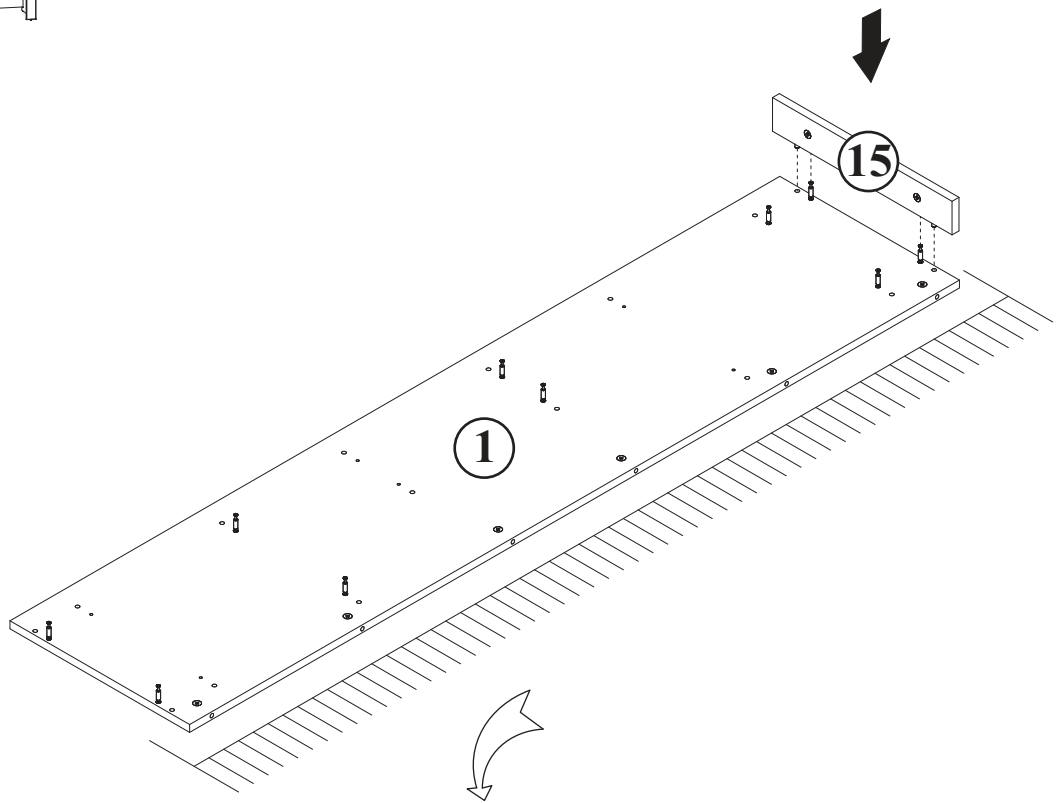
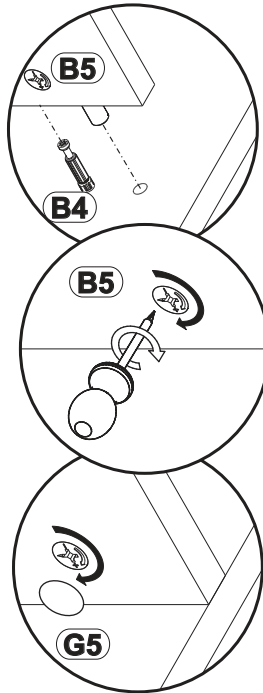
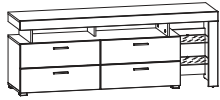
21



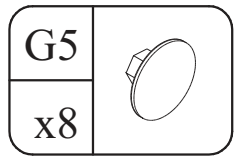
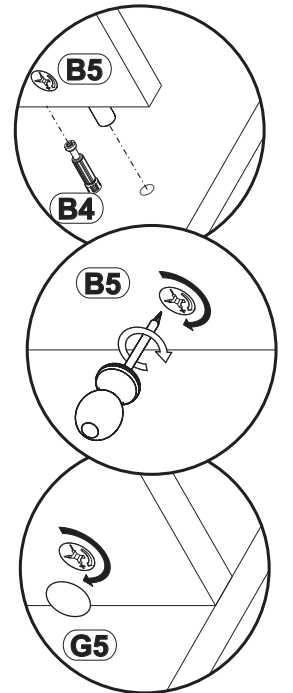
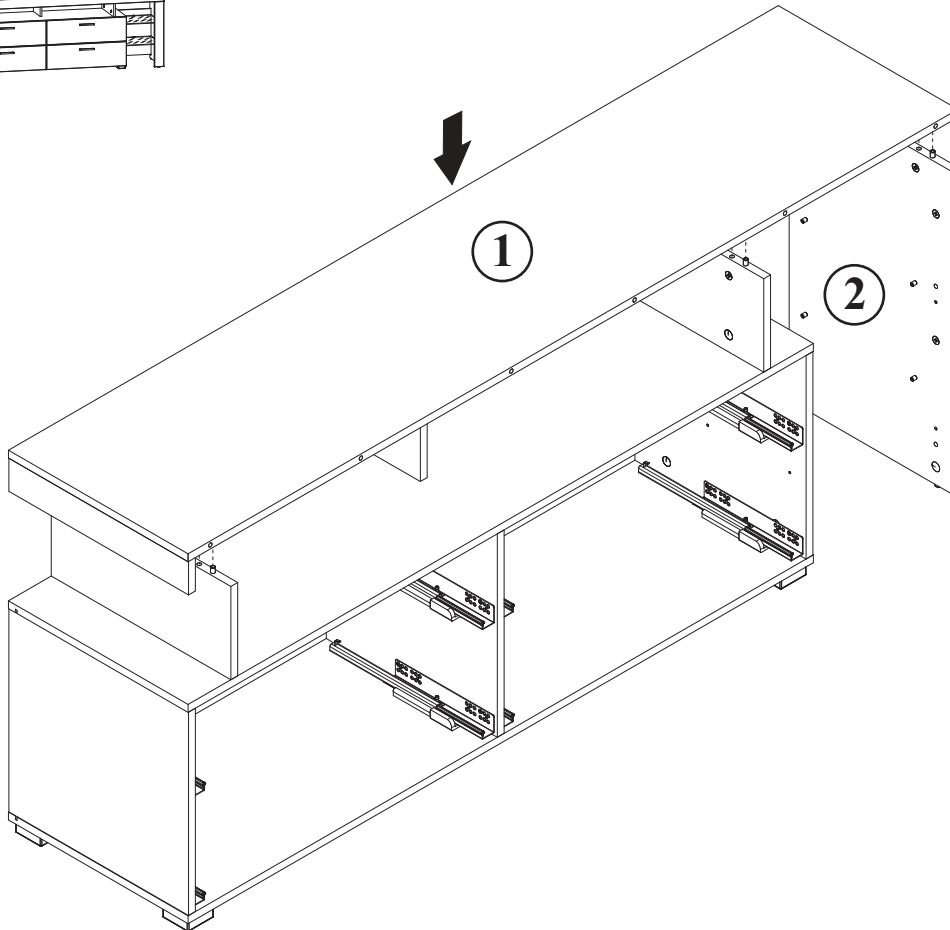
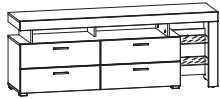
G5	
x2	



22



23

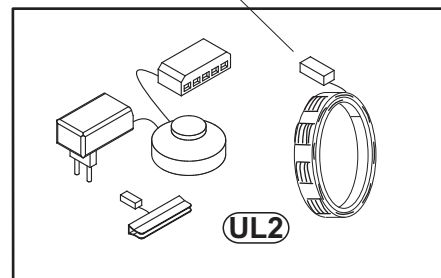
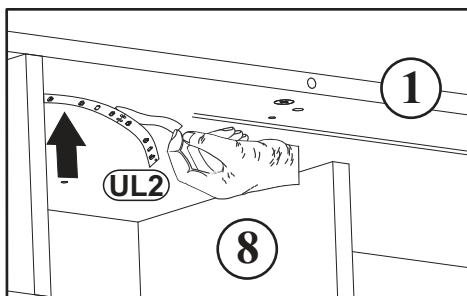
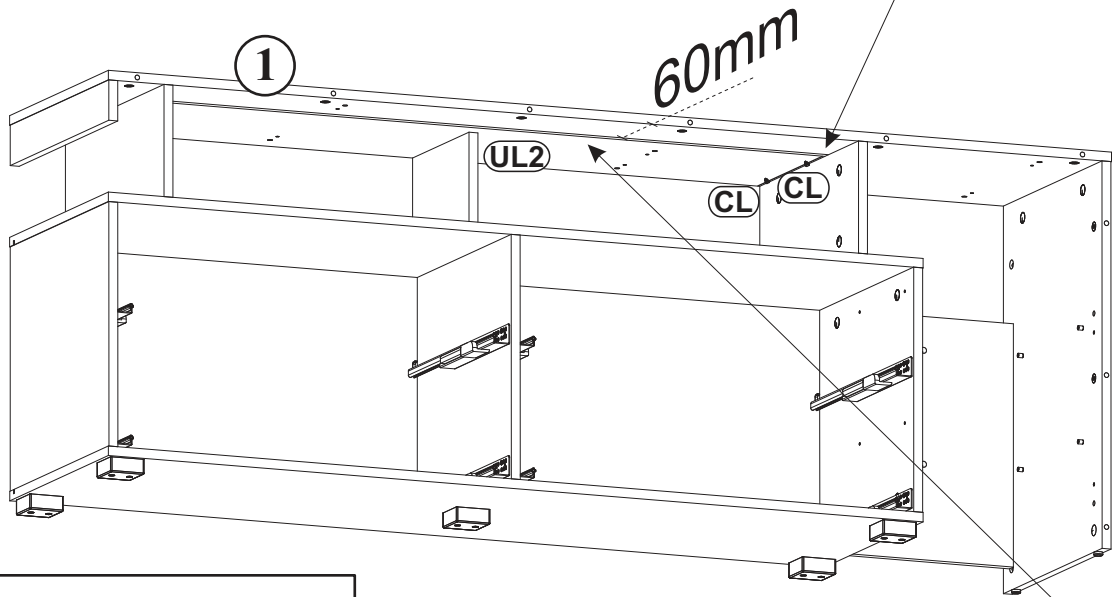
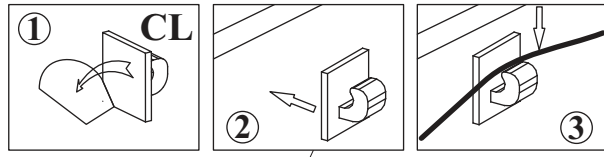



24



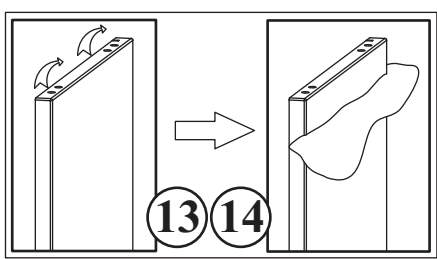
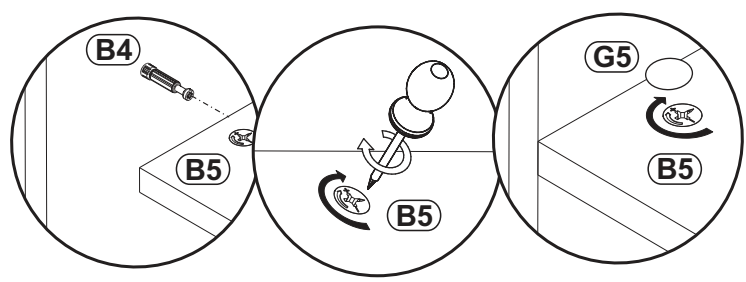
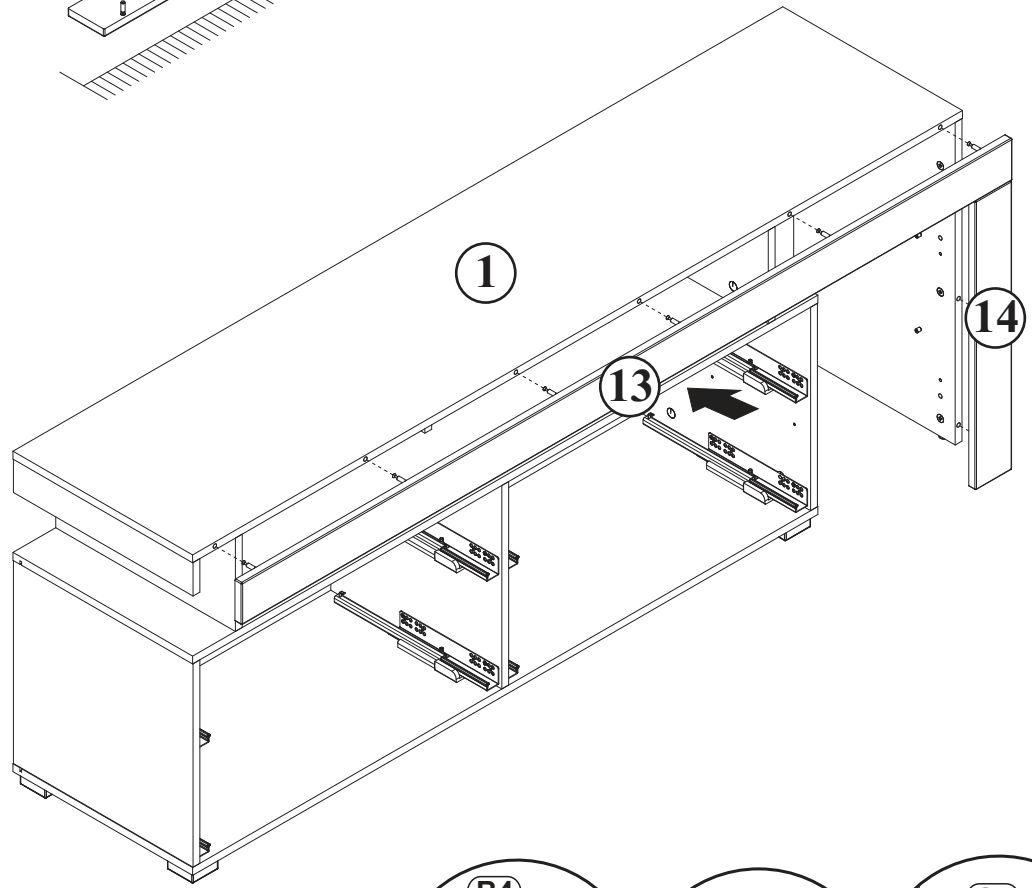
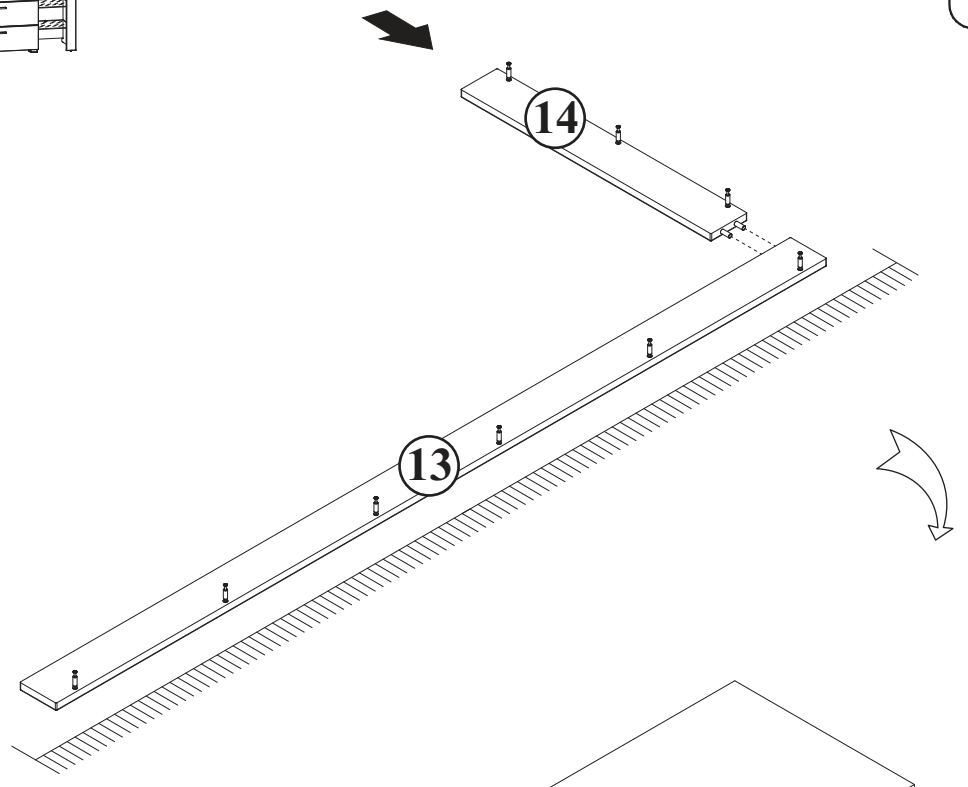
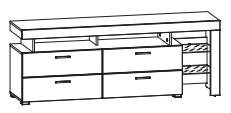
CL	
x2	

UL2	
x1	
1x1 L=1200mm	

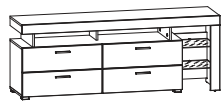


G5	
x9	

25



26

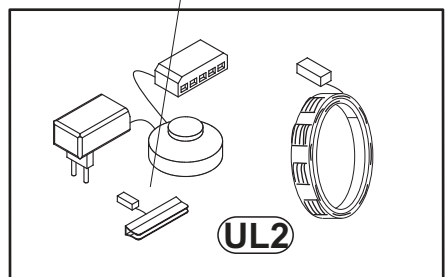
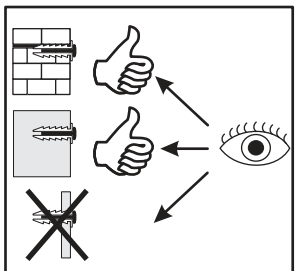
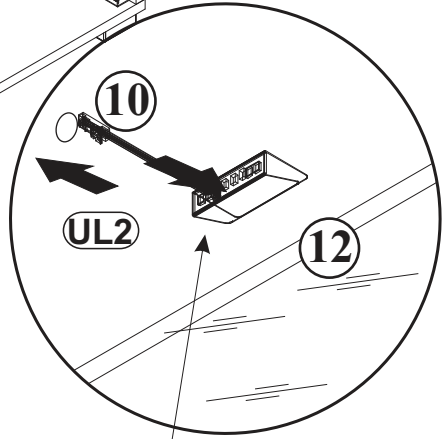
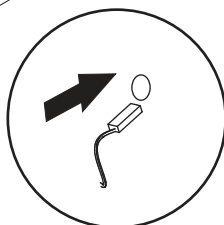
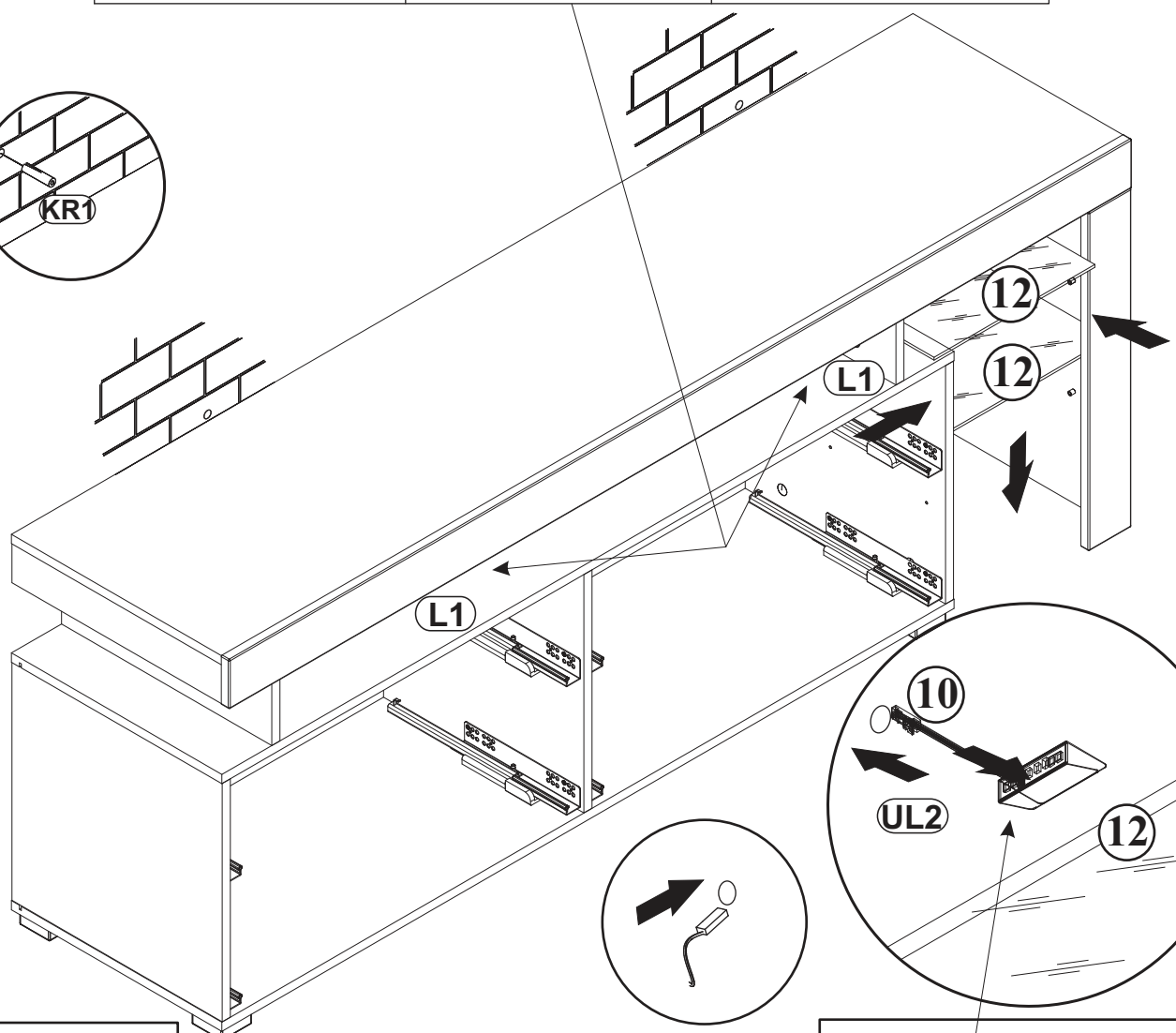
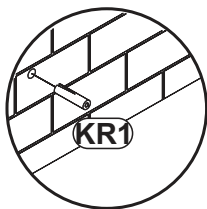
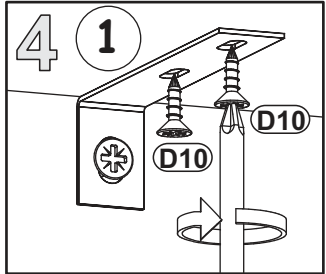
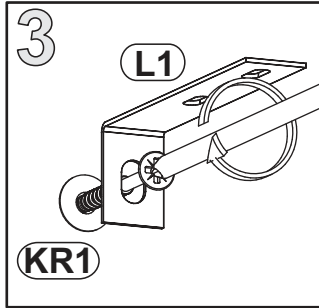
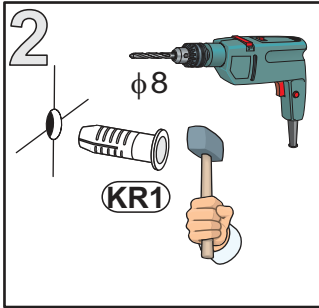
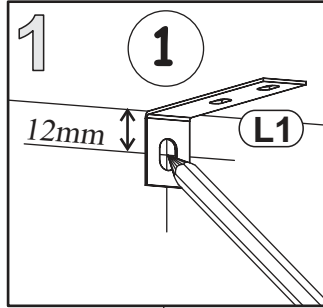


D10	
x4	USØ3,5x13

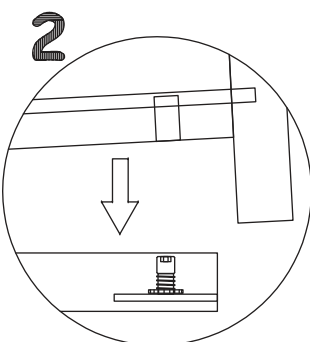
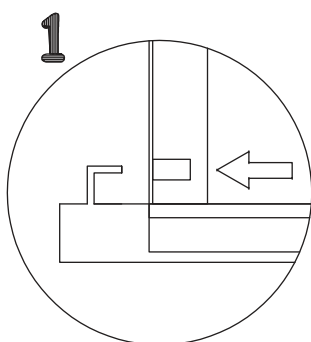
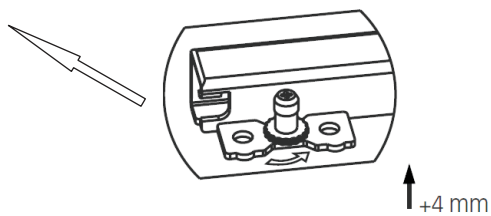
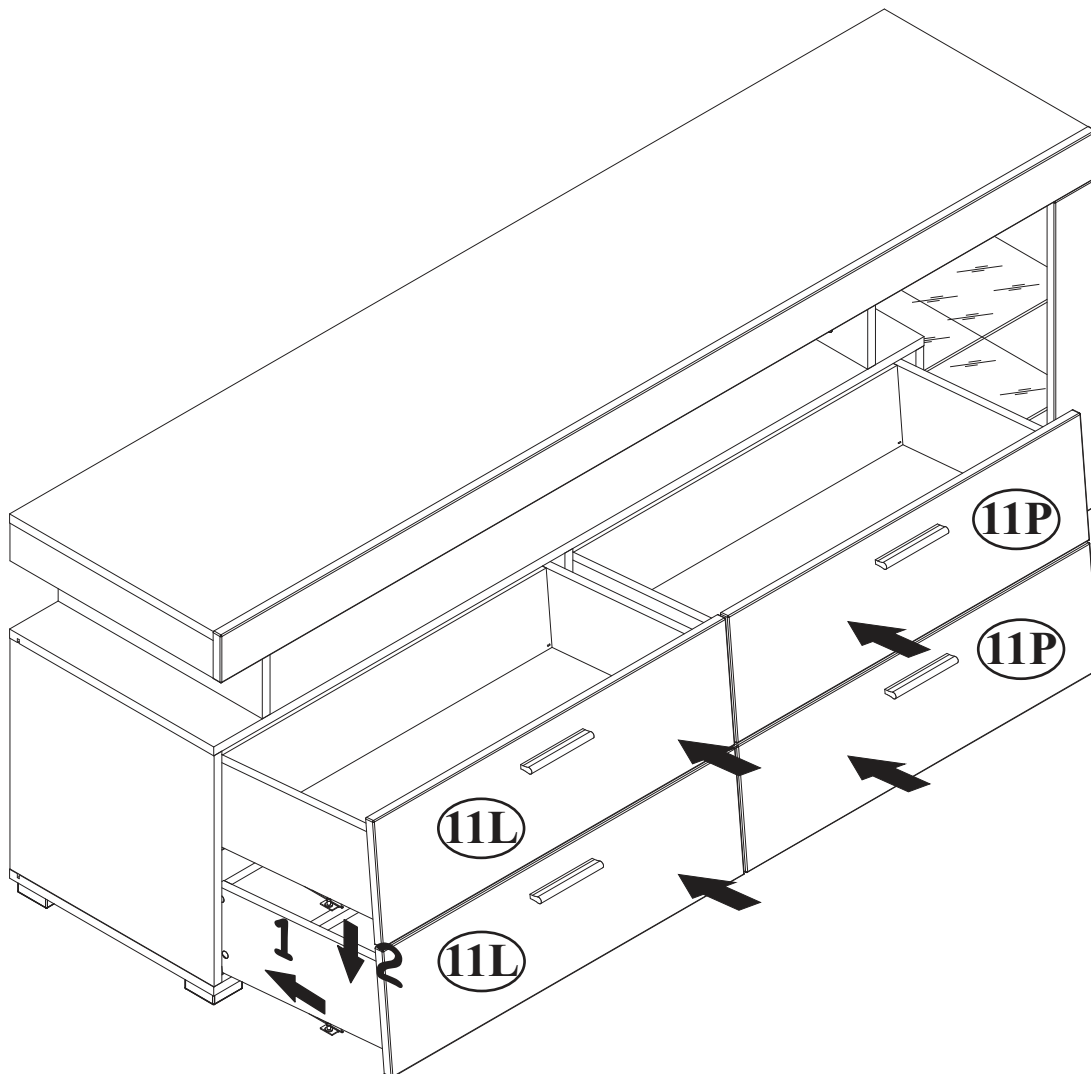
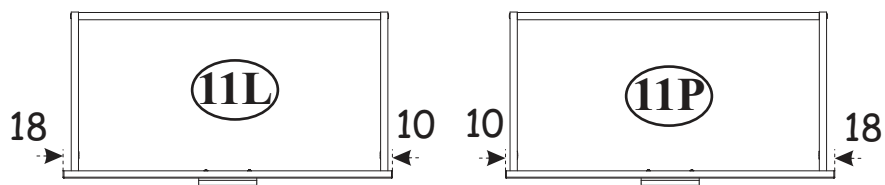
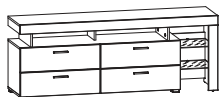
KR1	
x2	Ø8

L1	
x2	

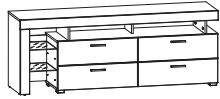
UL2	
x1	1X1 L=1200mm



27

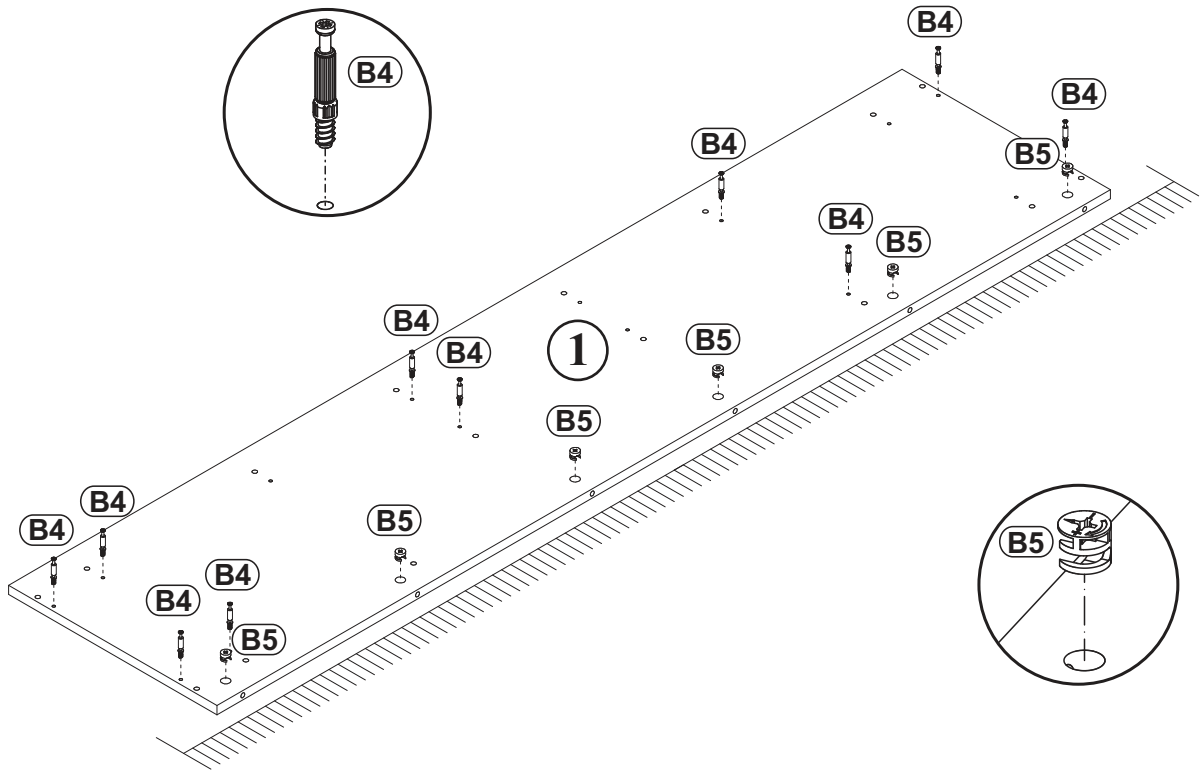


28

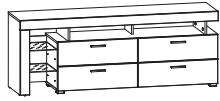


B4	
x10	34

B5	
x6	Ø15x12



29



G8	
x3	Ø20

A1	
x4	Ø8x36

B4	
x5	34

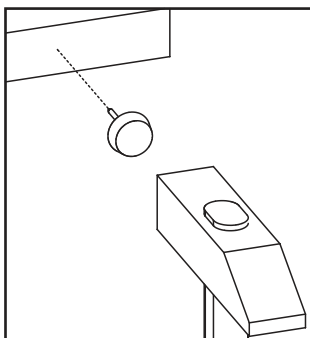
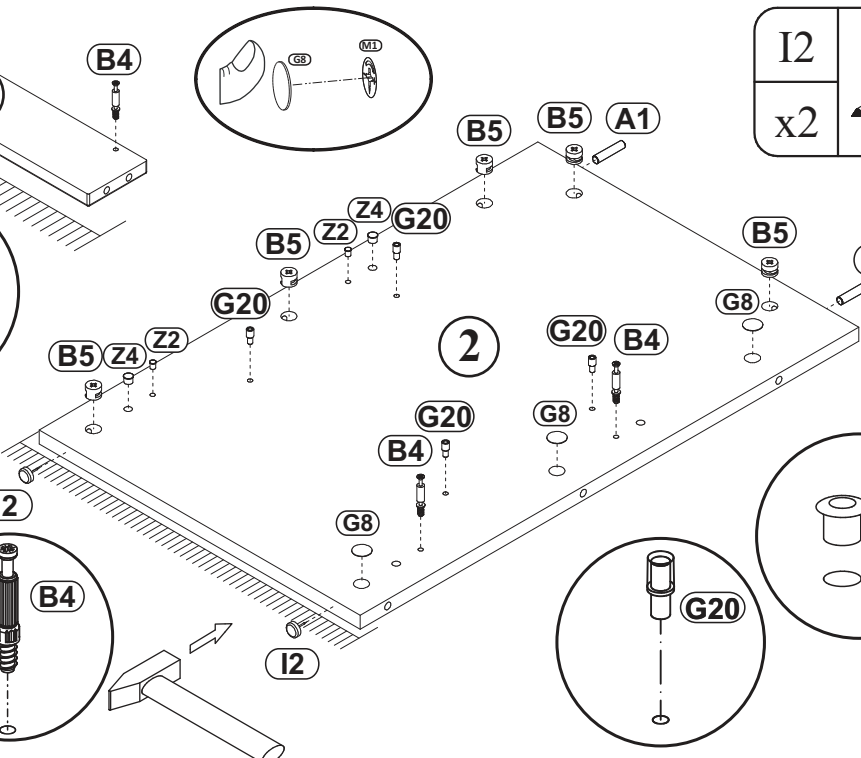
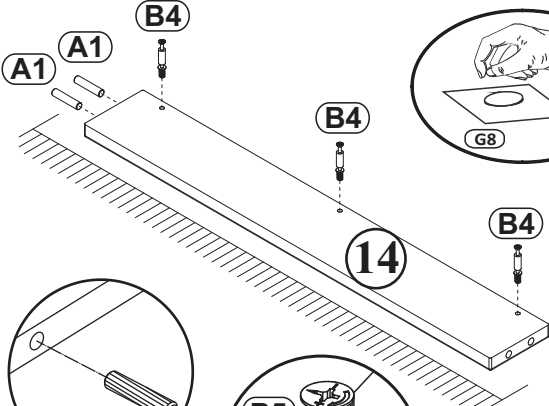
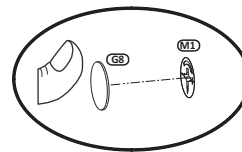
B5	
x5	Ø15x12

Z2	
x4	Ø5

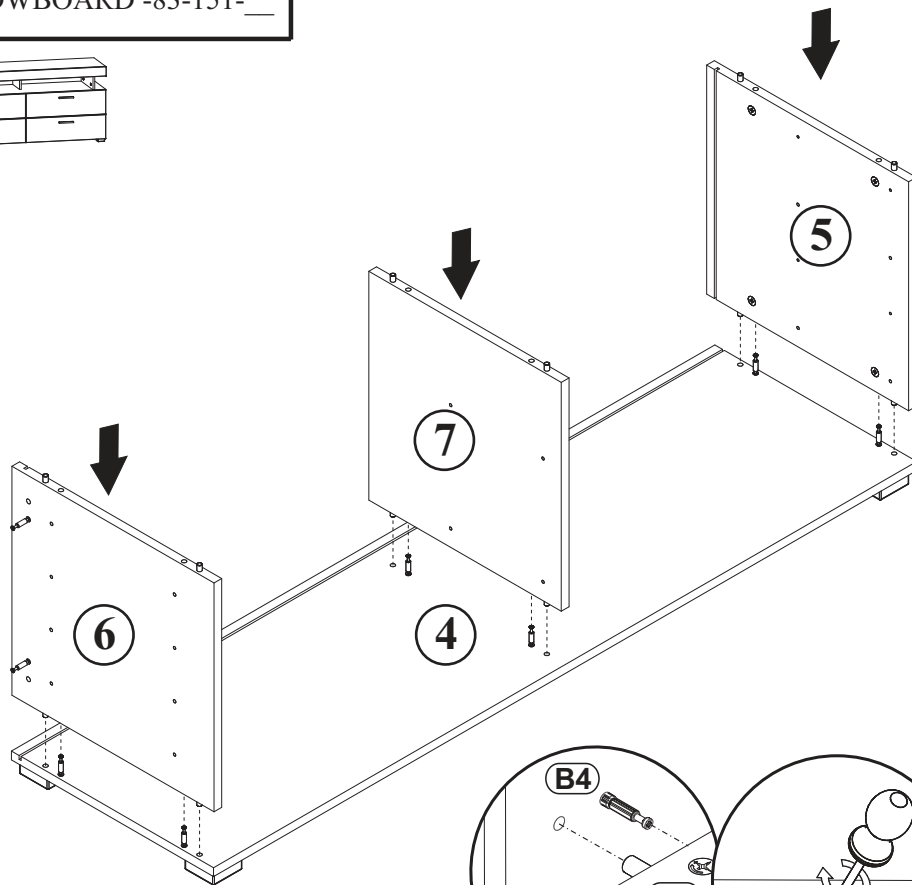
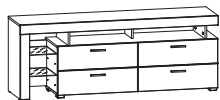
Z4	
x2	Ø8

G20	
x4	

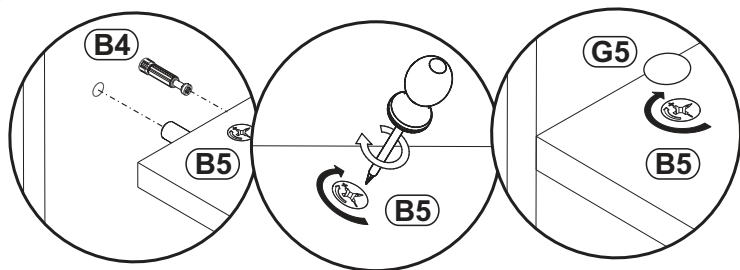
I2	
x2	



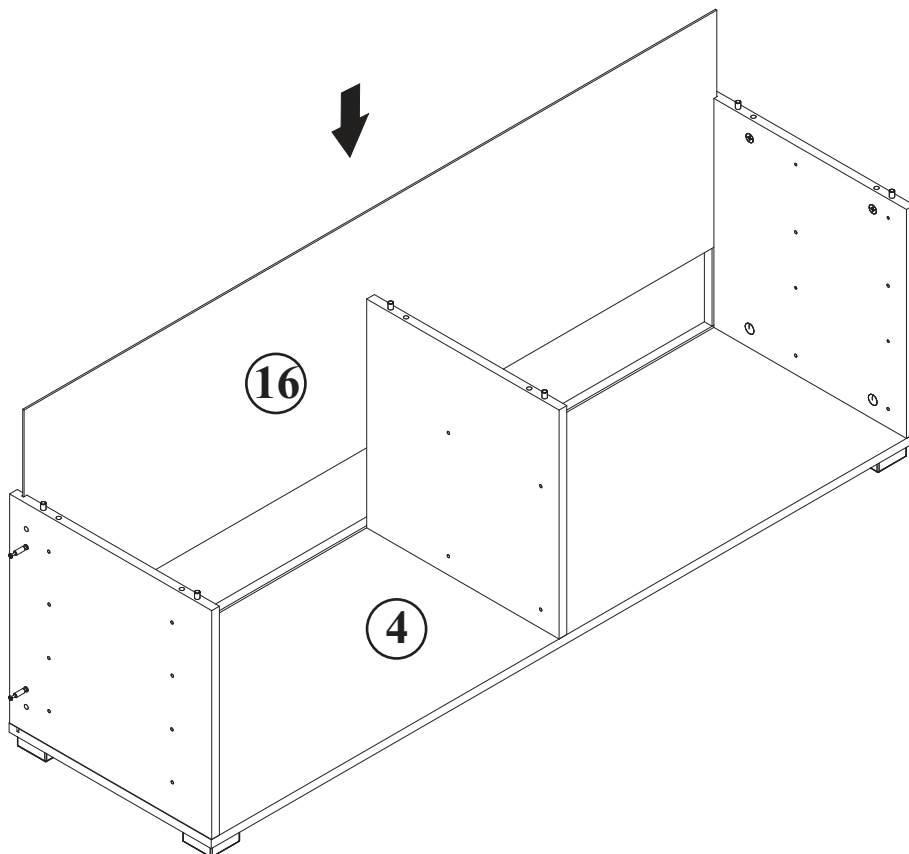
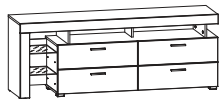
30




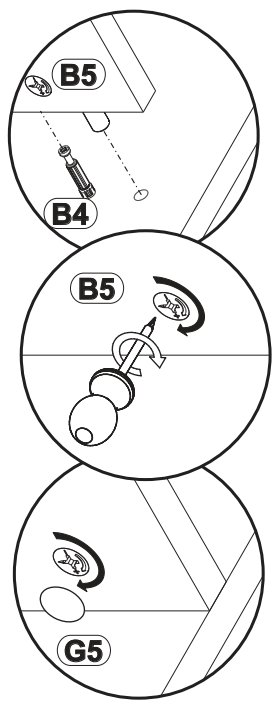
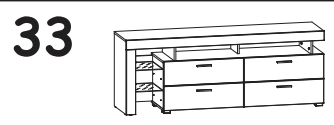
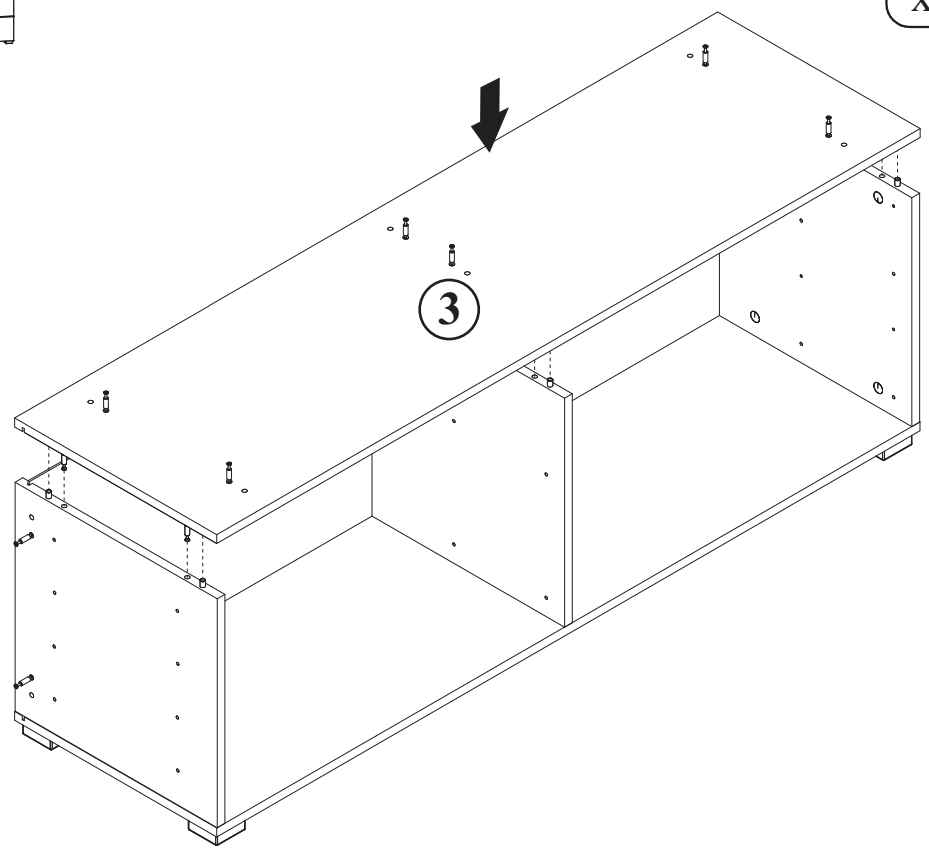
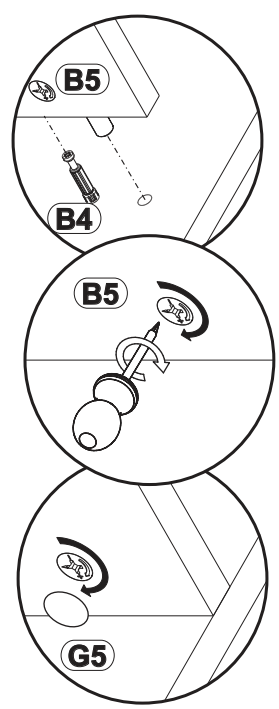
G5	
x6	




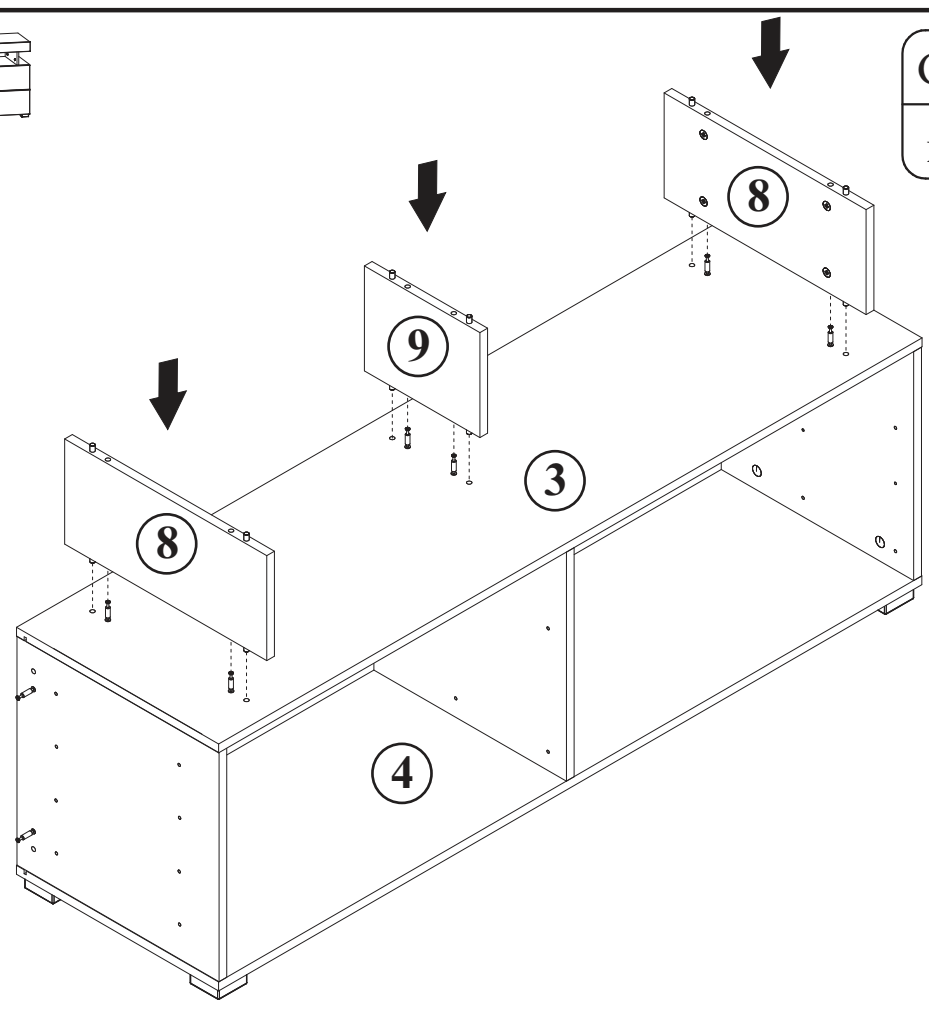
31



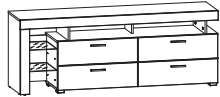
G5	
x6	



G5	
x6	

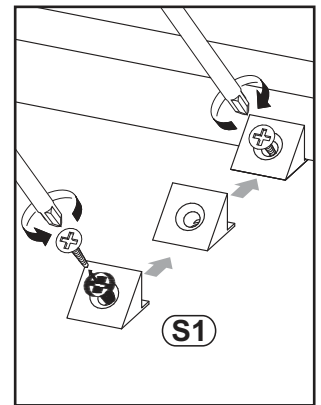
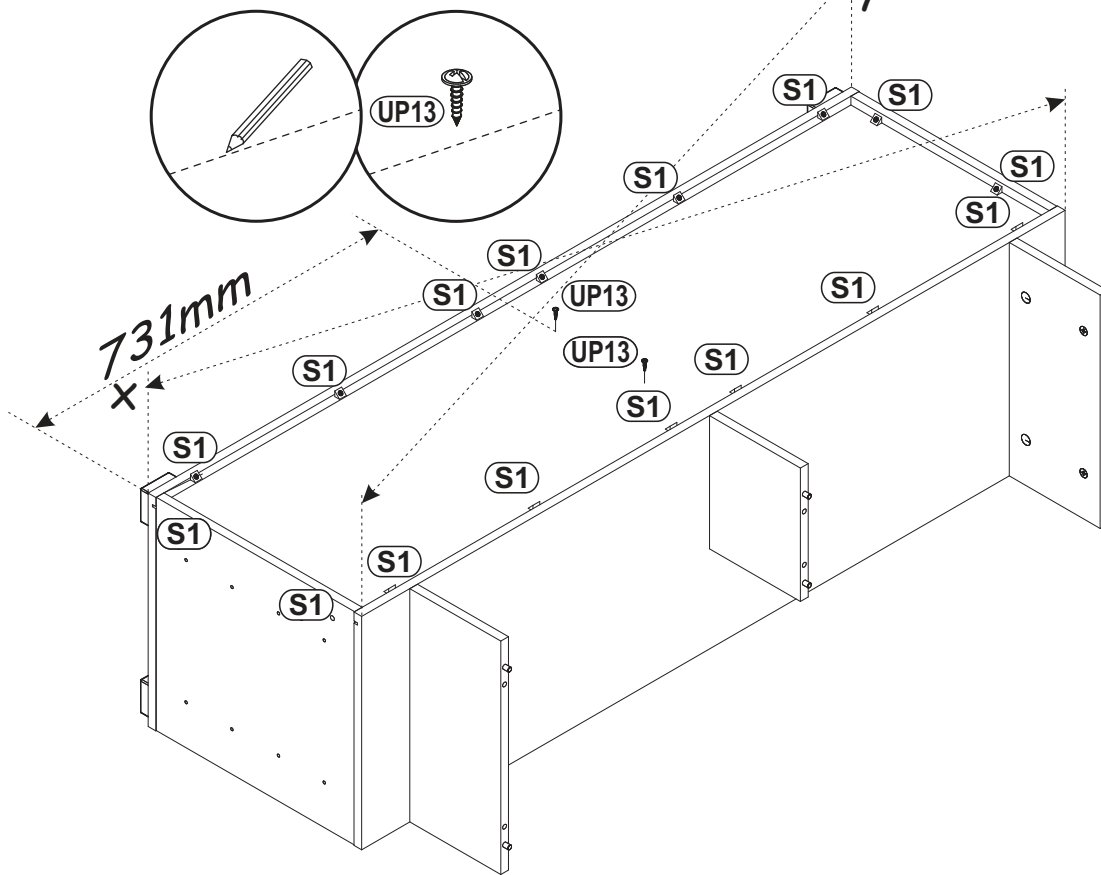


34

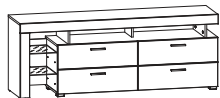


S1	
x16	

UP13	
x2	UPØ3x16



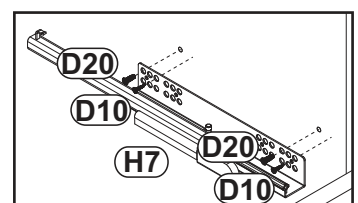
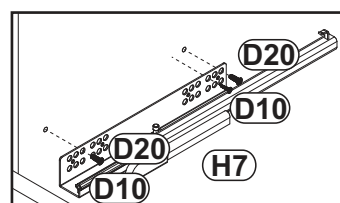
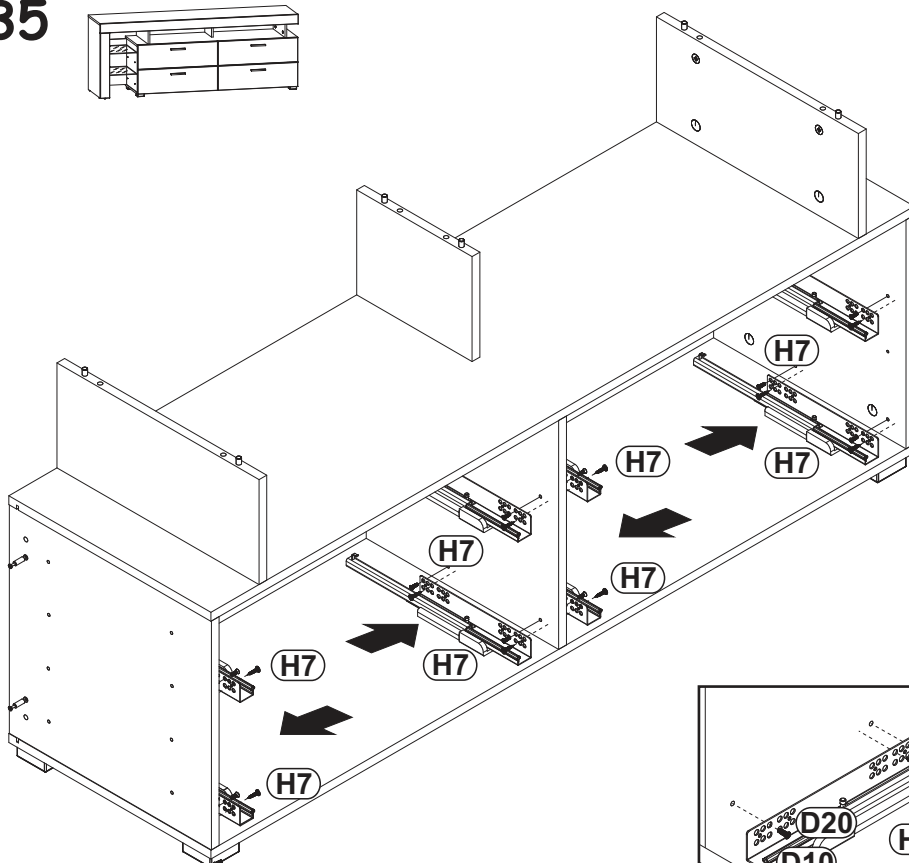
35



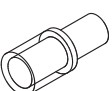


D20	
x16	ESØ6,3x9,5

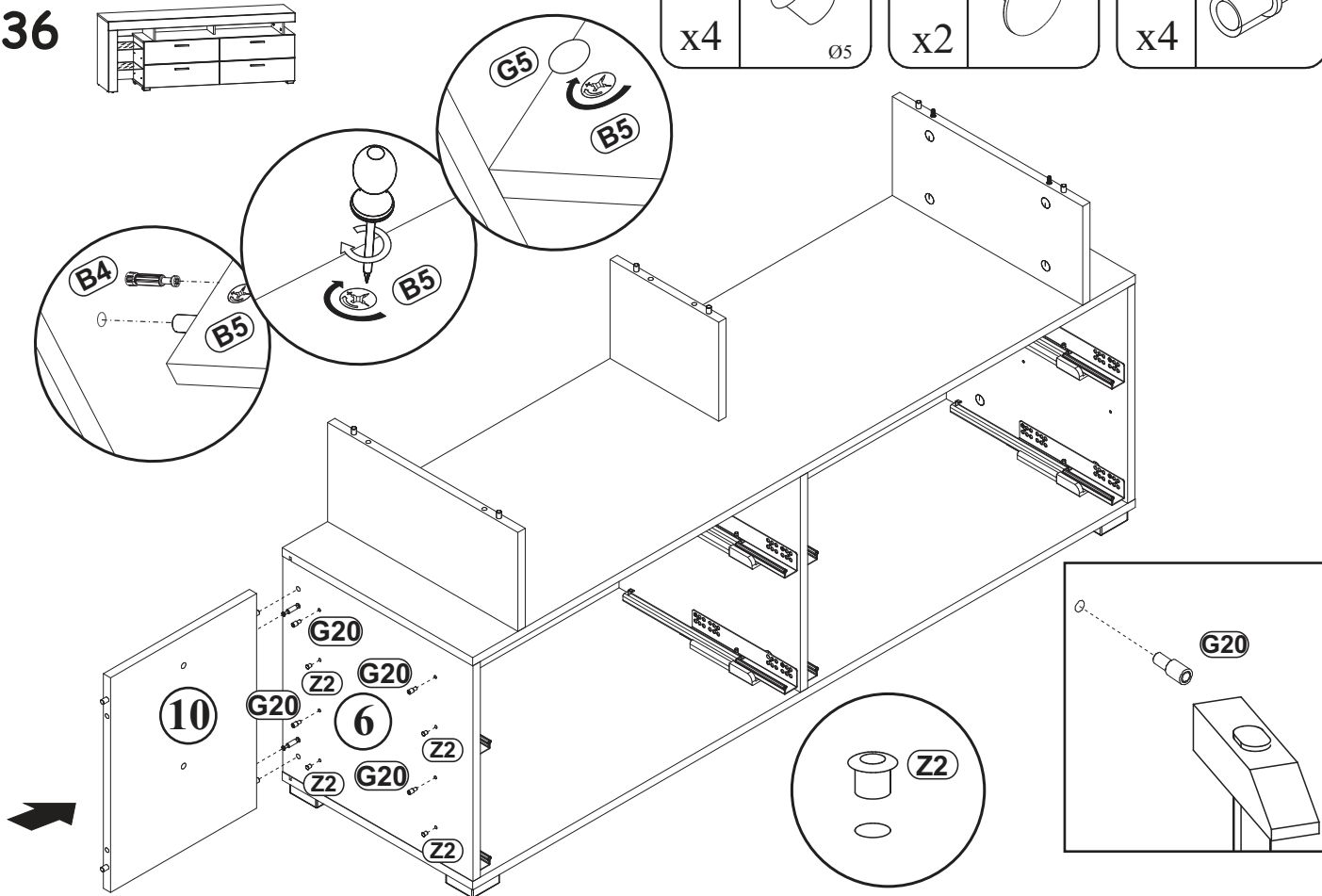
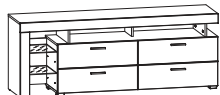
H7	
x4	L-350mm.

D10	
x16	USØ3,5x13

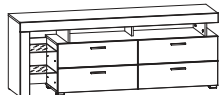



Z2		G5		G20	
x4	∅5	x2		x4	

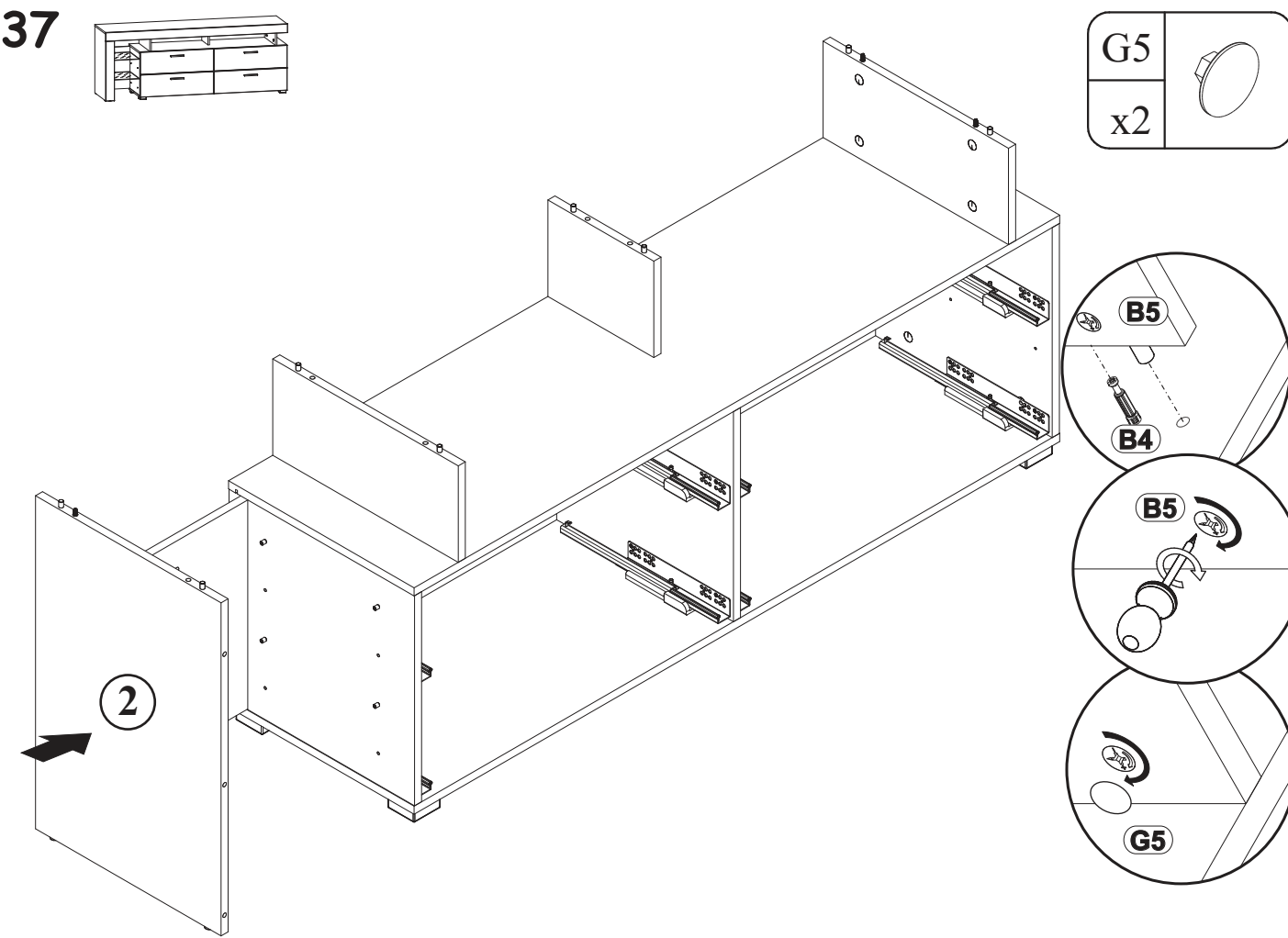
36




37

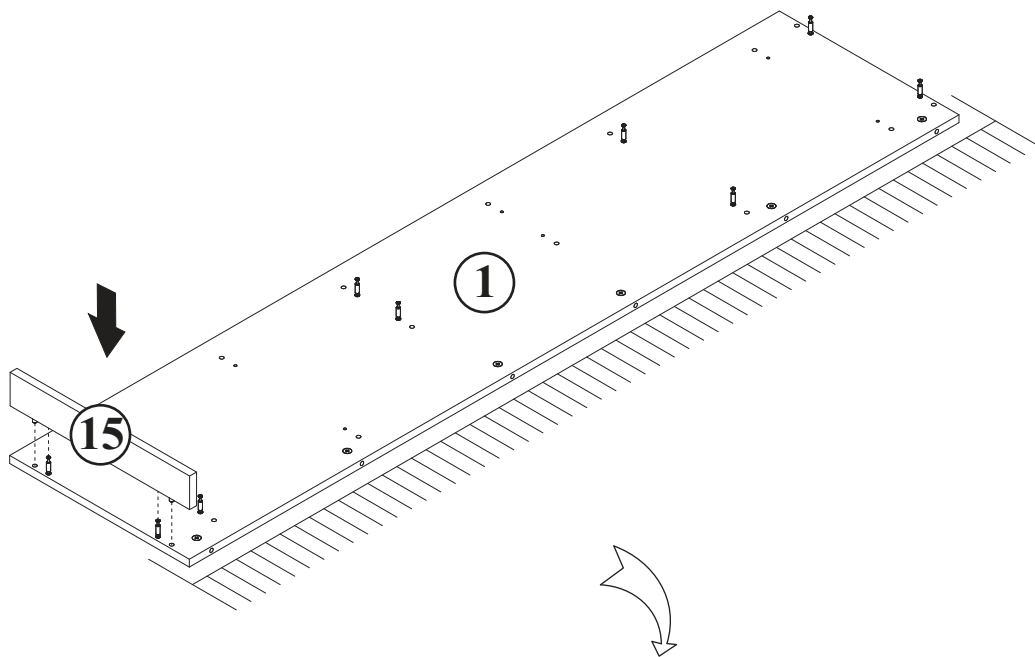
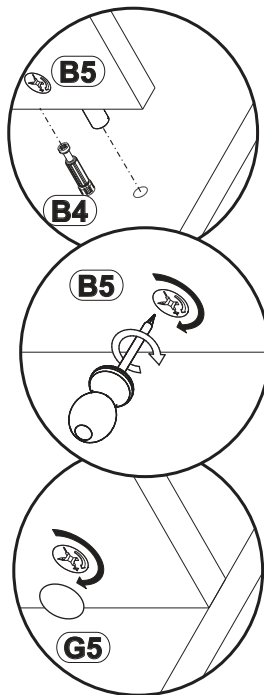
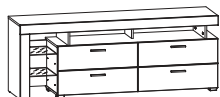


G5	
x2	

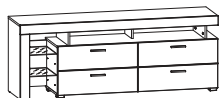



G5	
x2	

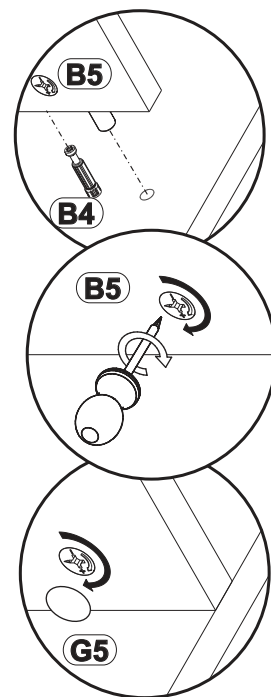
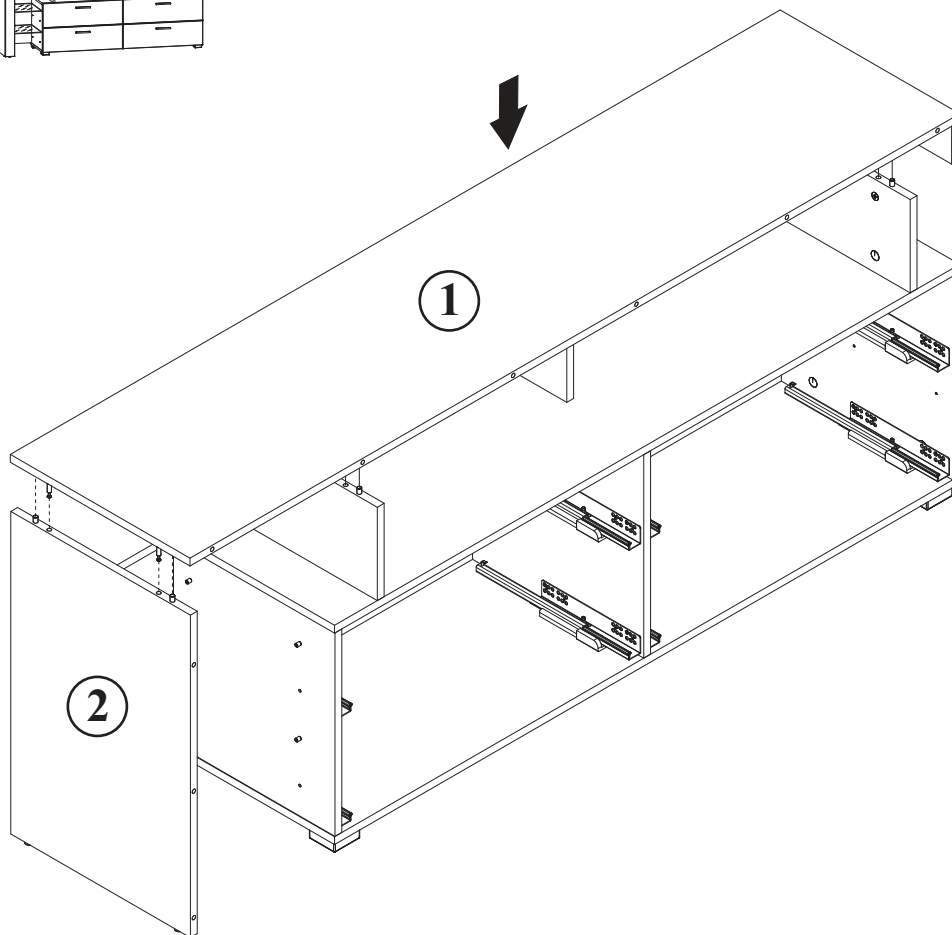
38



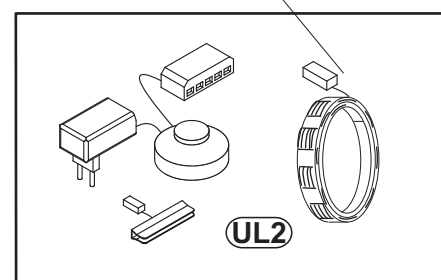
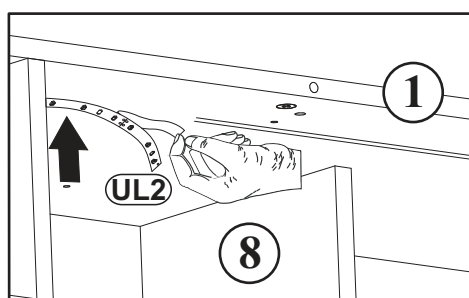
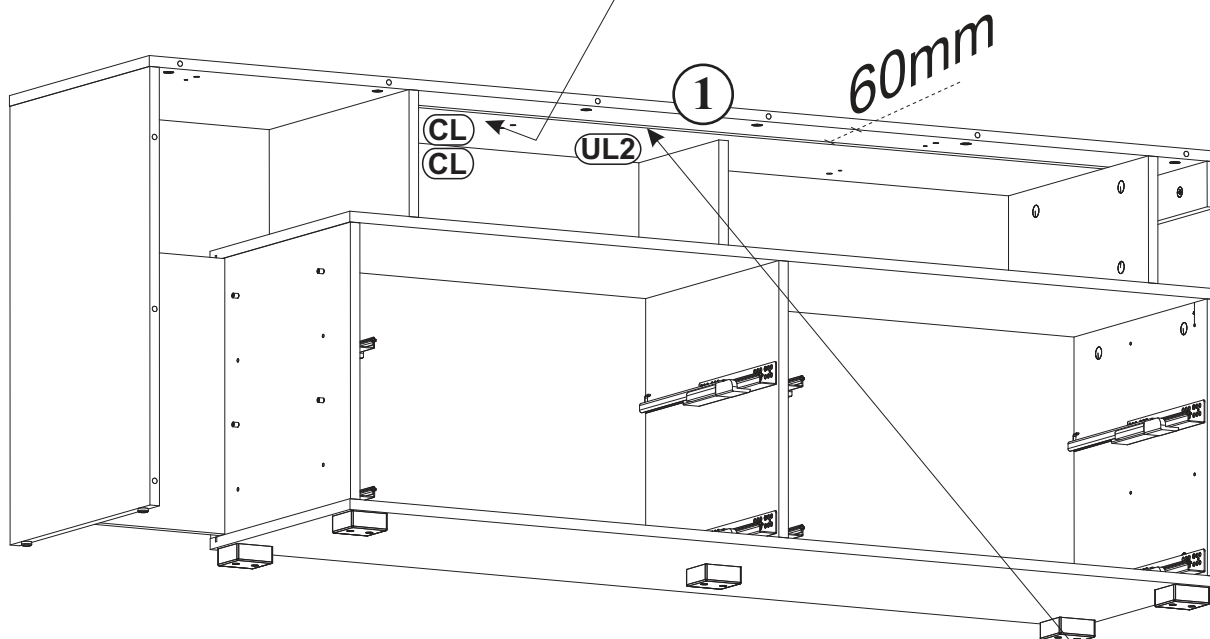
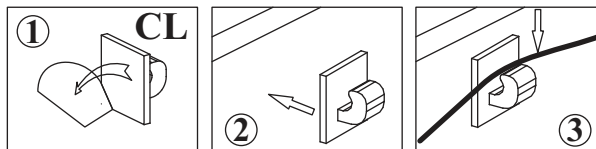
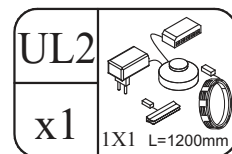
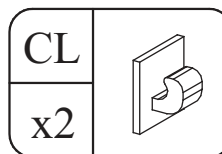
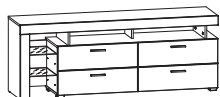
39




G5	
x8	

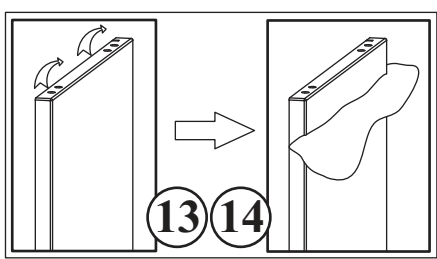
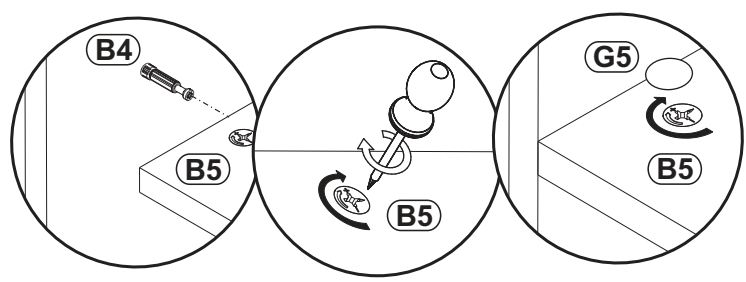
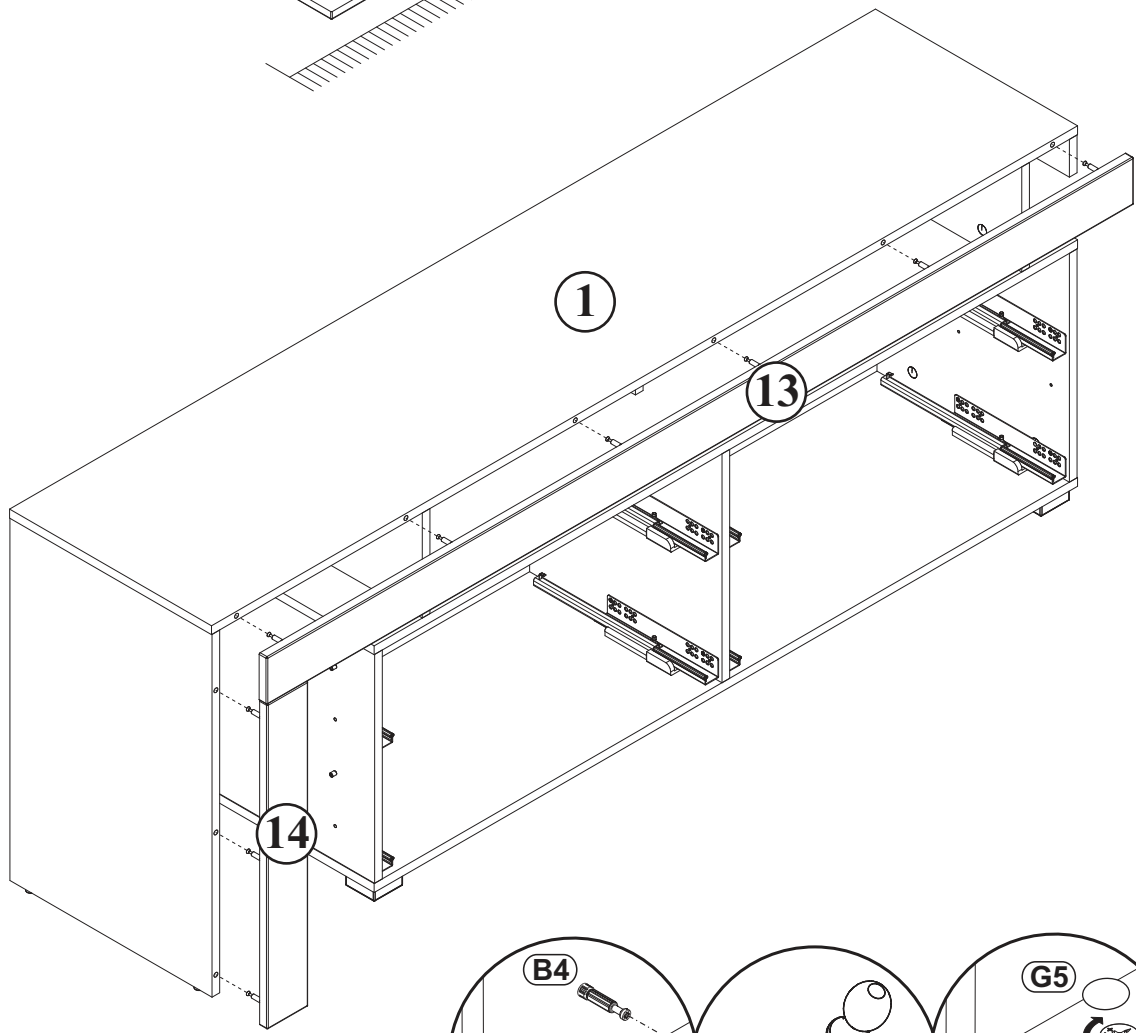
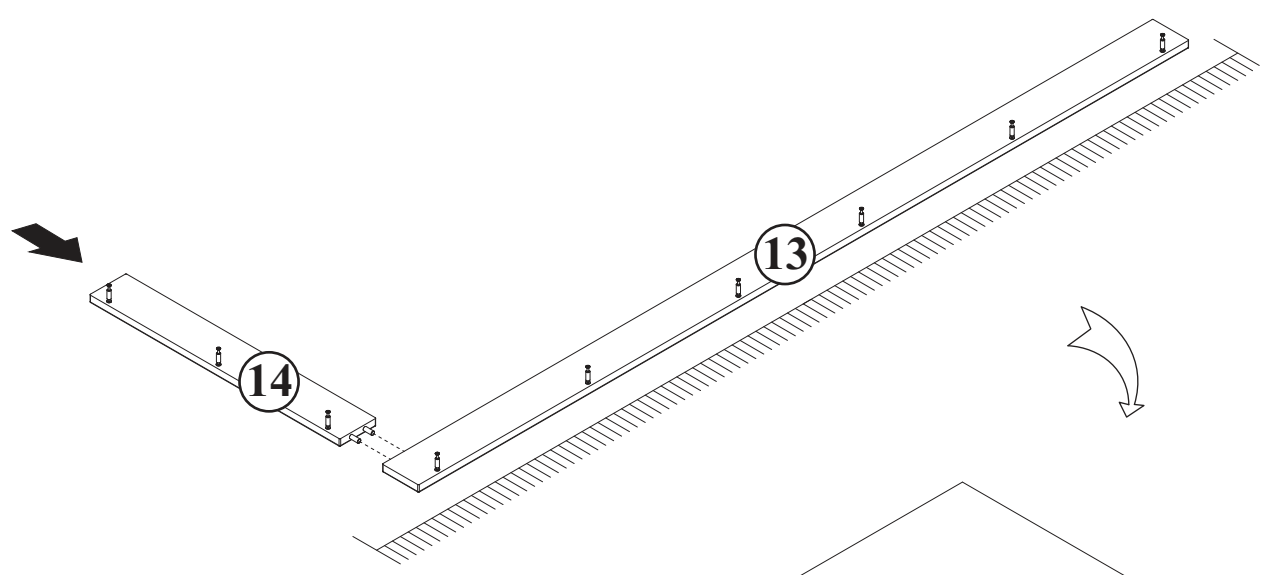
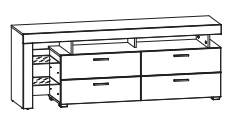


40

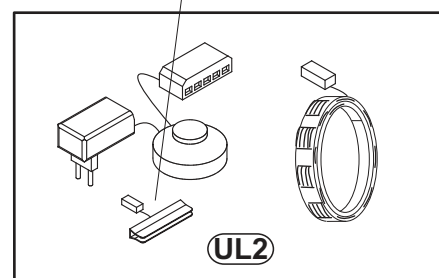
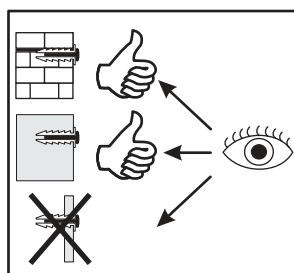
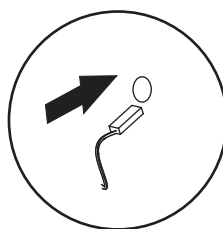
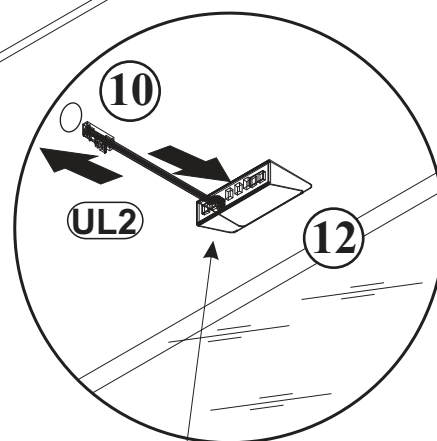
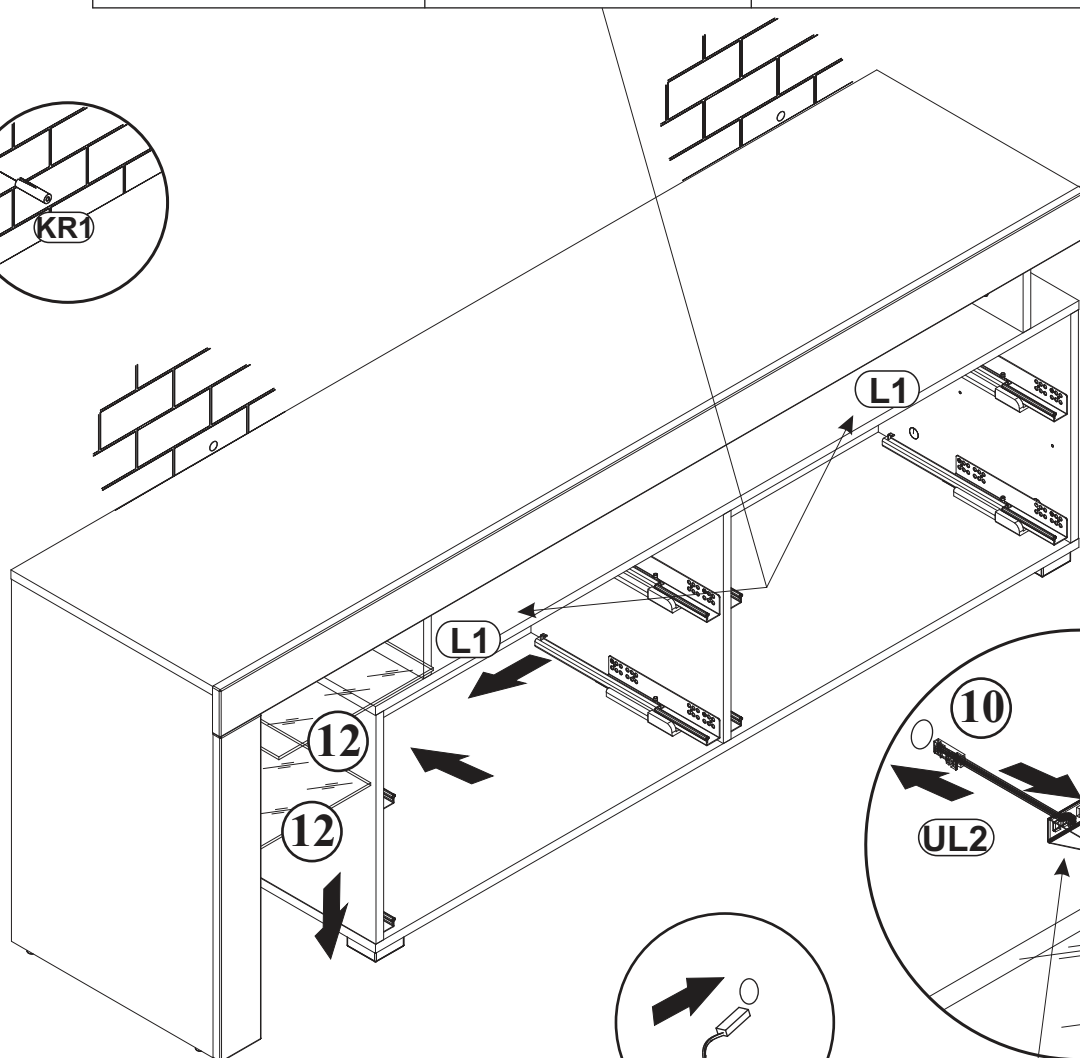
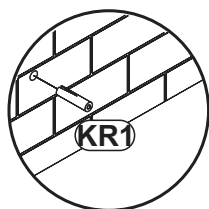
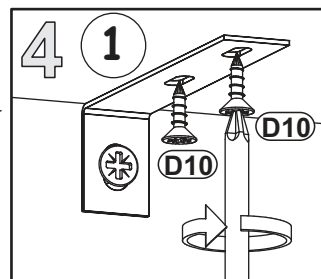
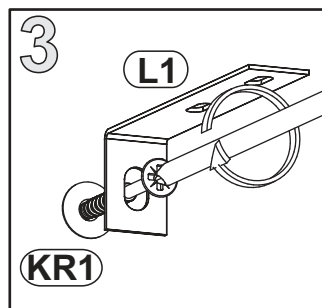
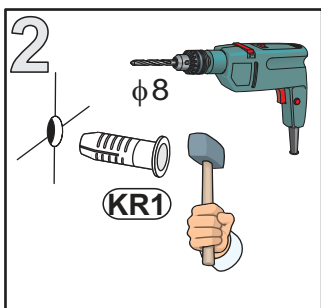
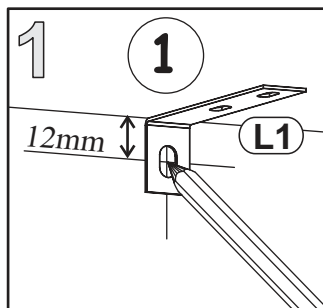
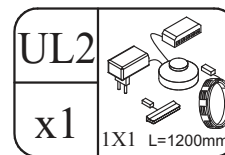
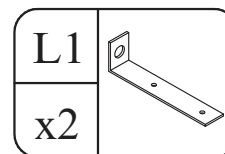
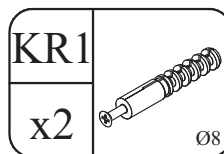
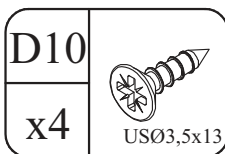
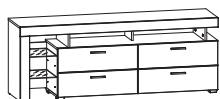


G5	
x9	

41



42



43

