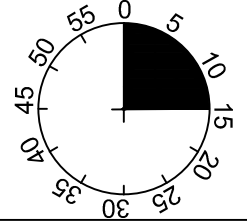
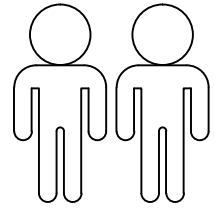
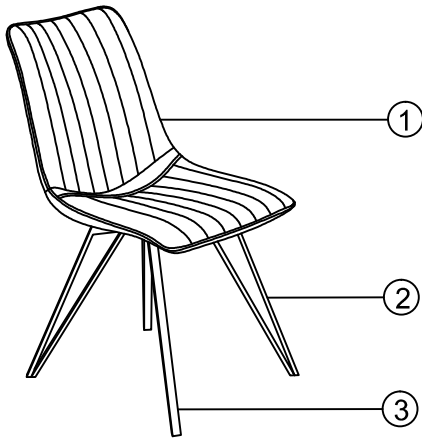


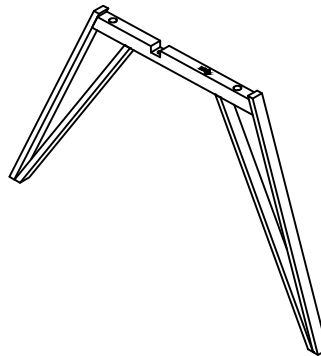
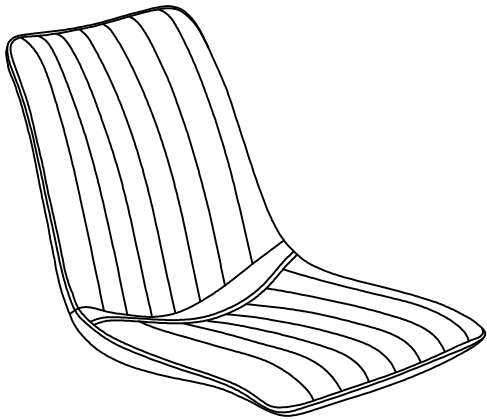
Marie



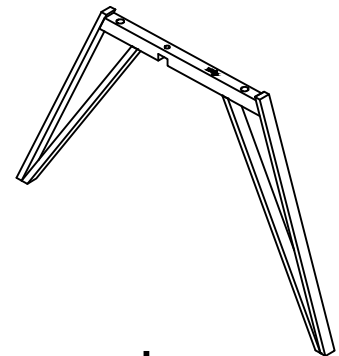
1

2

3



R



L

1	1 x
2	1 x
3	1 x

A

M6X50



2x

B

M6X55



2x

C

M6x25



1x

D

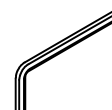
Ø18xØ6x1.5



5x

E

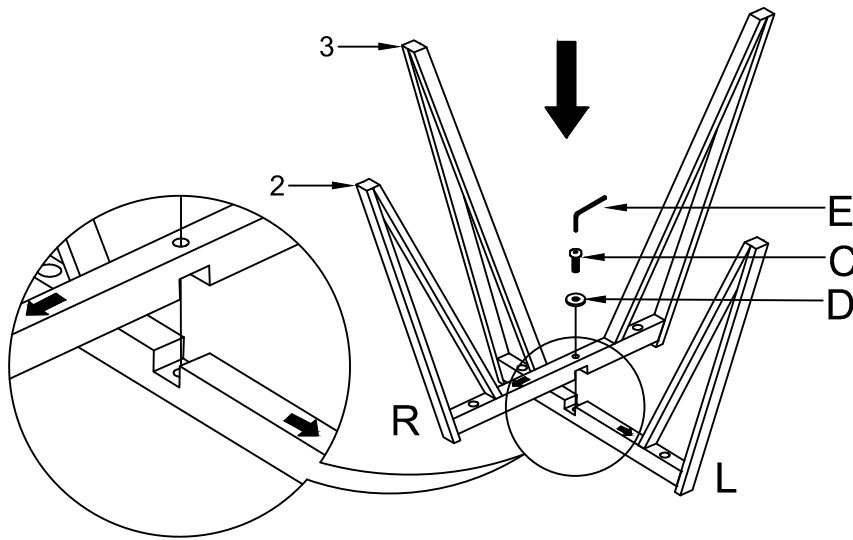
4MM



1x

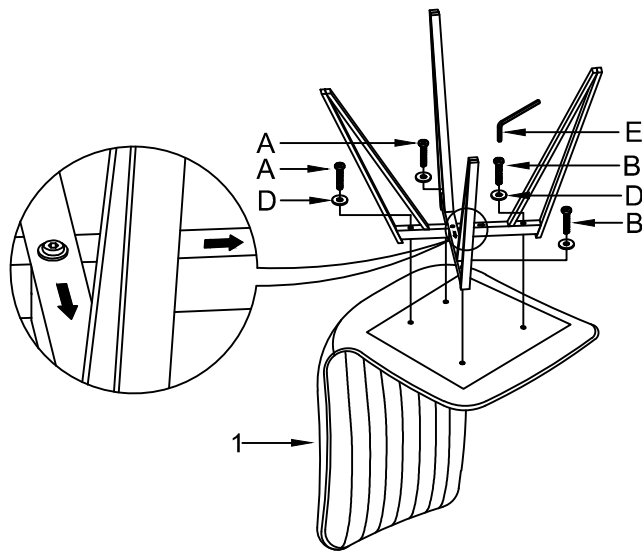
I.

1



C	M6x25
	1x
D	Ø18xØ6x1.5
	1x
E	4MM
	1x

2



A	M6x50
	2x
B	M6x55
	2x
D	Ø18xØ6x1.5
	4x
E	4MM
	1x

3



E	4MM
	1x

