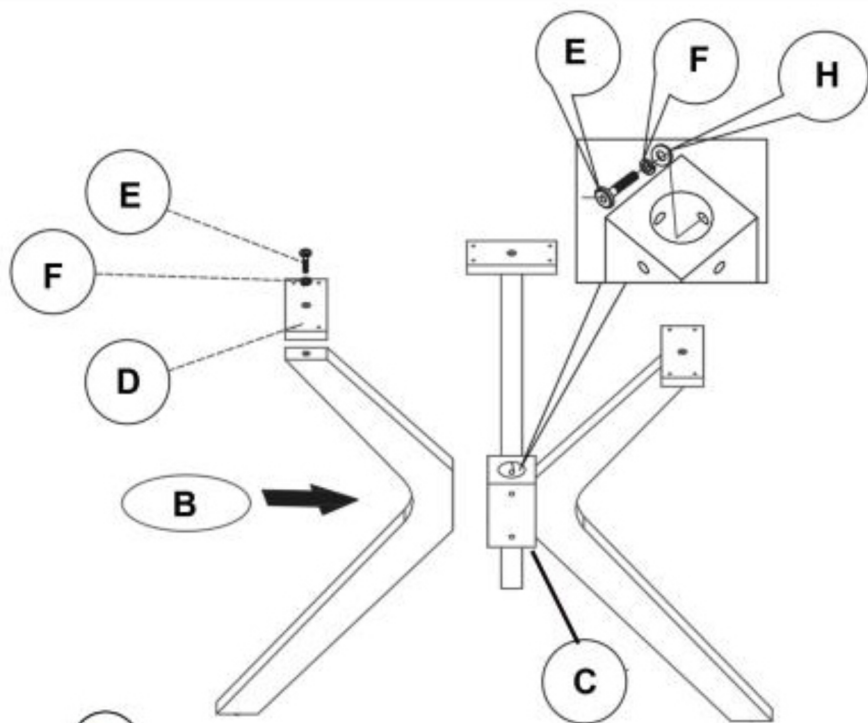
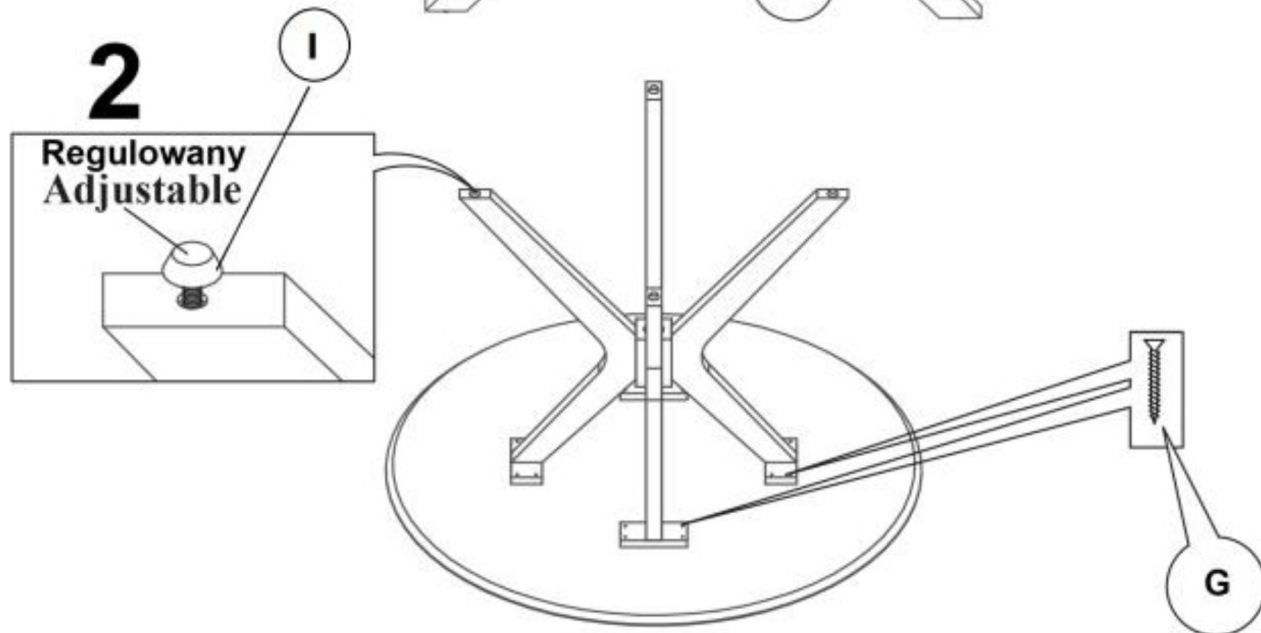


1



2



A		1
B		4
C		1
D		4
E		12
F		12
G		16
H		8
I		4

max. 30 kg



v.2