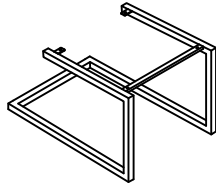


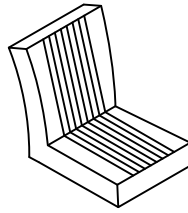


STUHL LINDA: 62-369-94-A

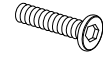
1 PERSON



(A) X1



(B) X1



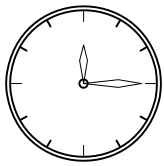
M6*20mm

(C) X4



M6*16mm

(D) X4

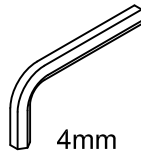


15min



Ø16*6mm

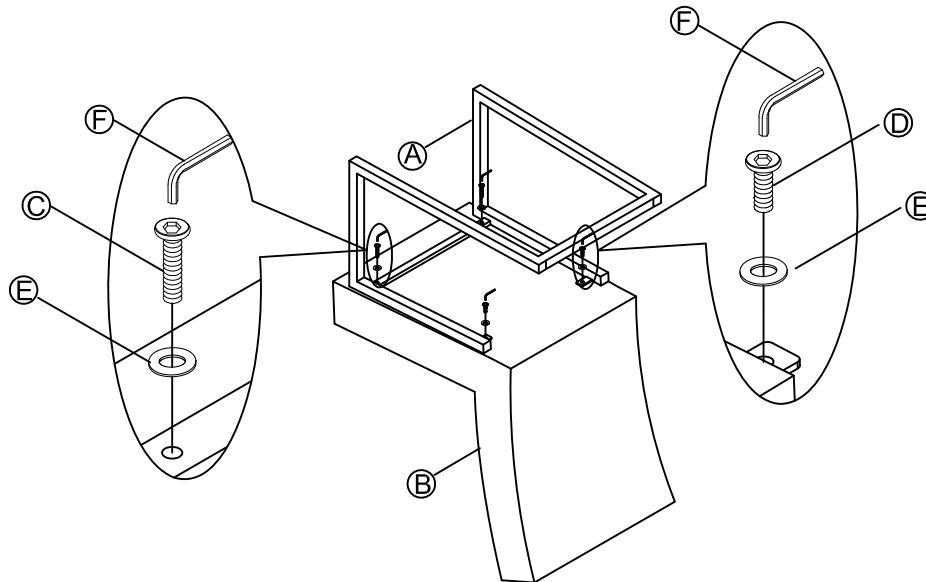
(E) X4



4mm

(F) X1

1



2

