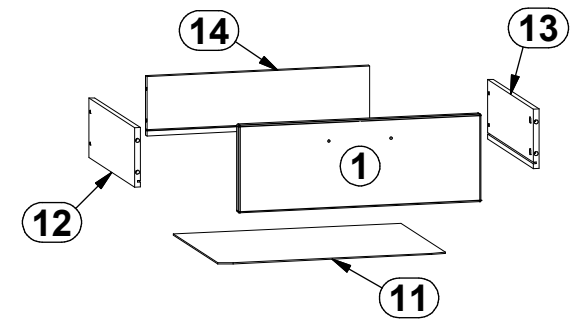
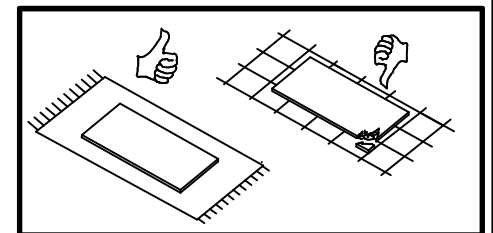
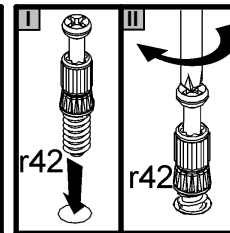
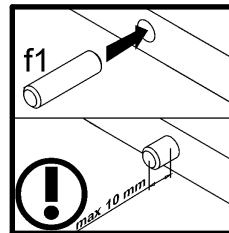
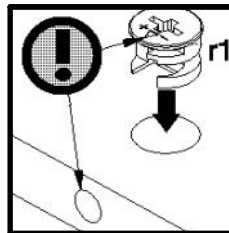
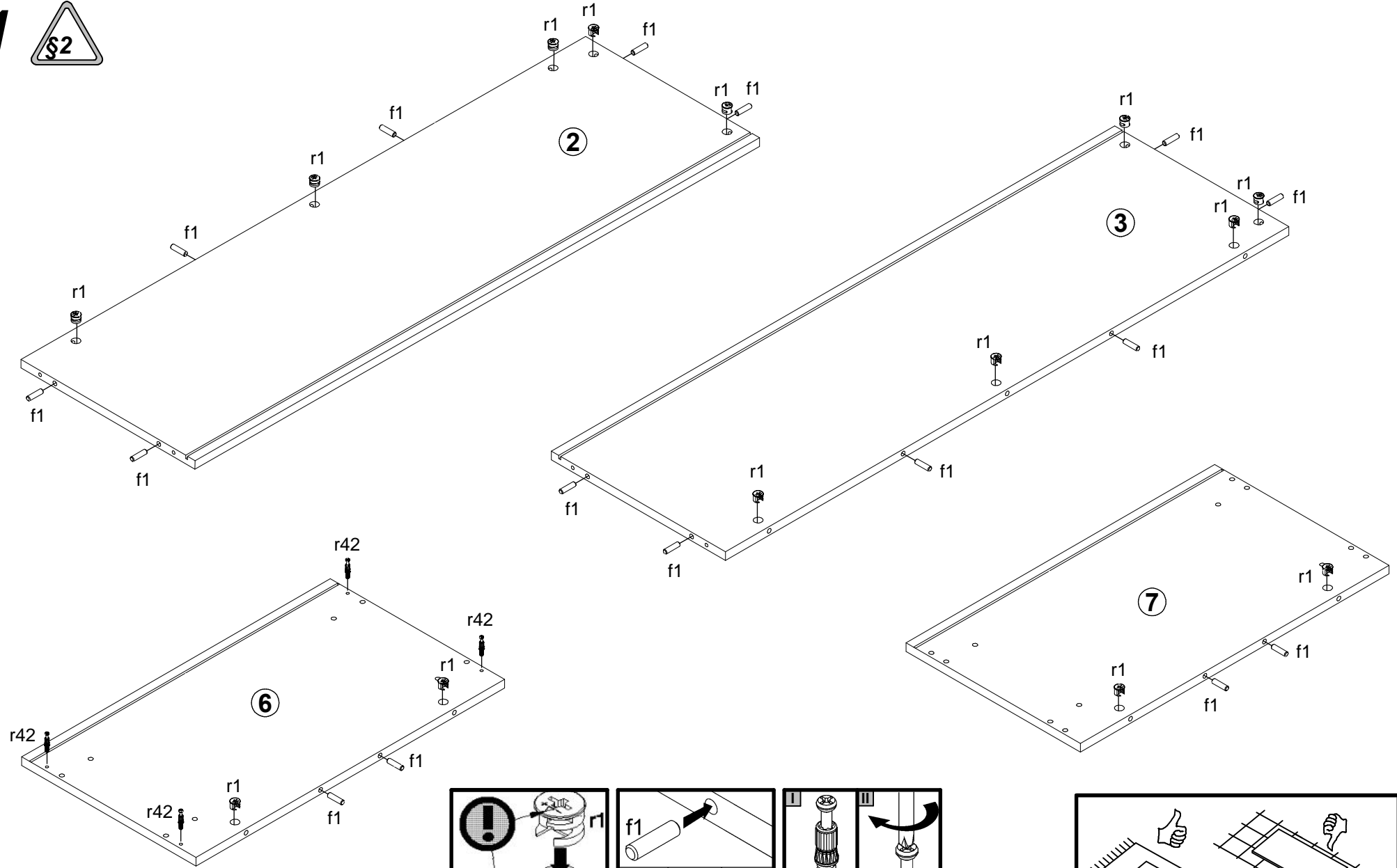


A	B	C (mm)	D	
1	S125-064	499	177	2/2
2	S125-168	1212	375	1/2
3	S125-169	1212	375	1/2
4	S125-170	1212	355	2/2
5	S125-171	1212	355	2/2
6	S125-230	664	375	1/2
7	S125-231	664	375	1/2
8	S125-594	665	80	2/2
9	S125-595	1246	80	2/2
10	S125-9908	1222	641	1/2
11	WSP-9055	468	348	1/2
12	WSR3-505	350	120	1/2
13	WSR3-506	350	120	1/2
14	WTR-5021	458	120	1/2

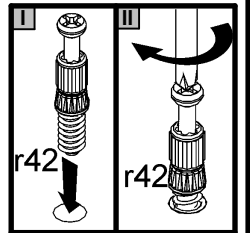
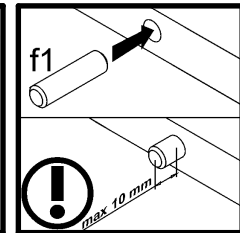
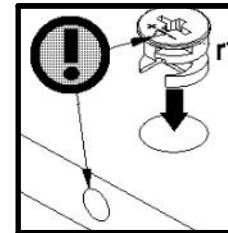
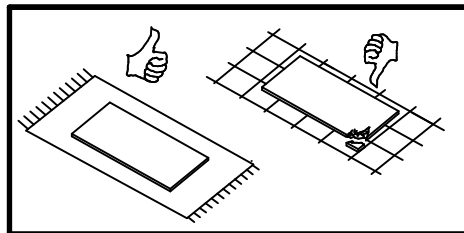
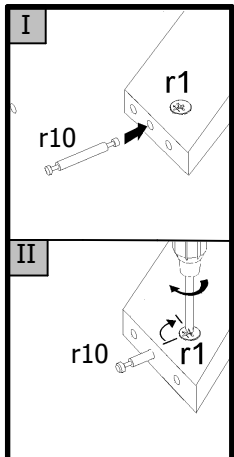
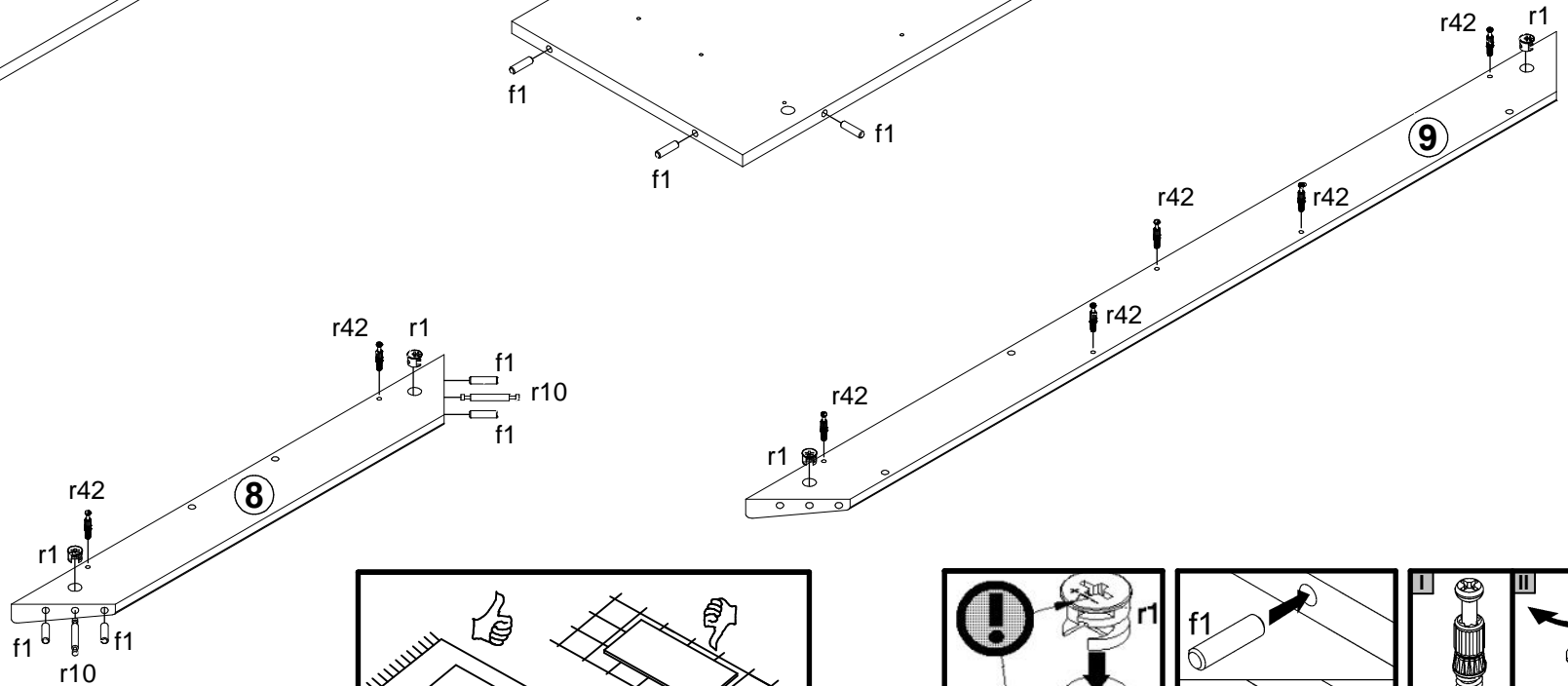
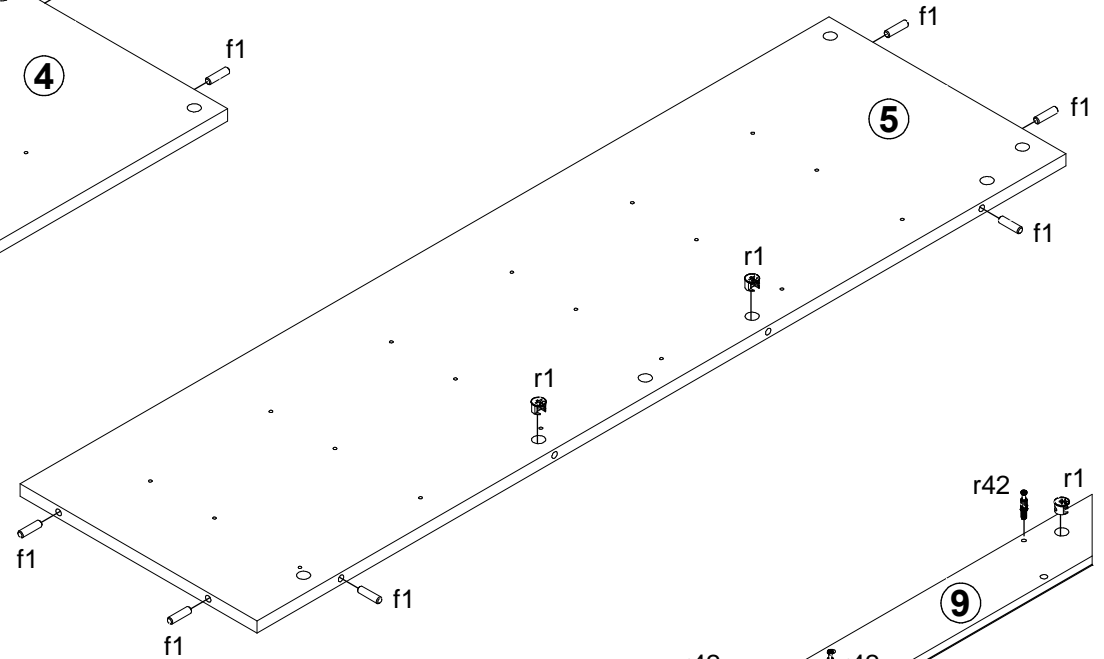
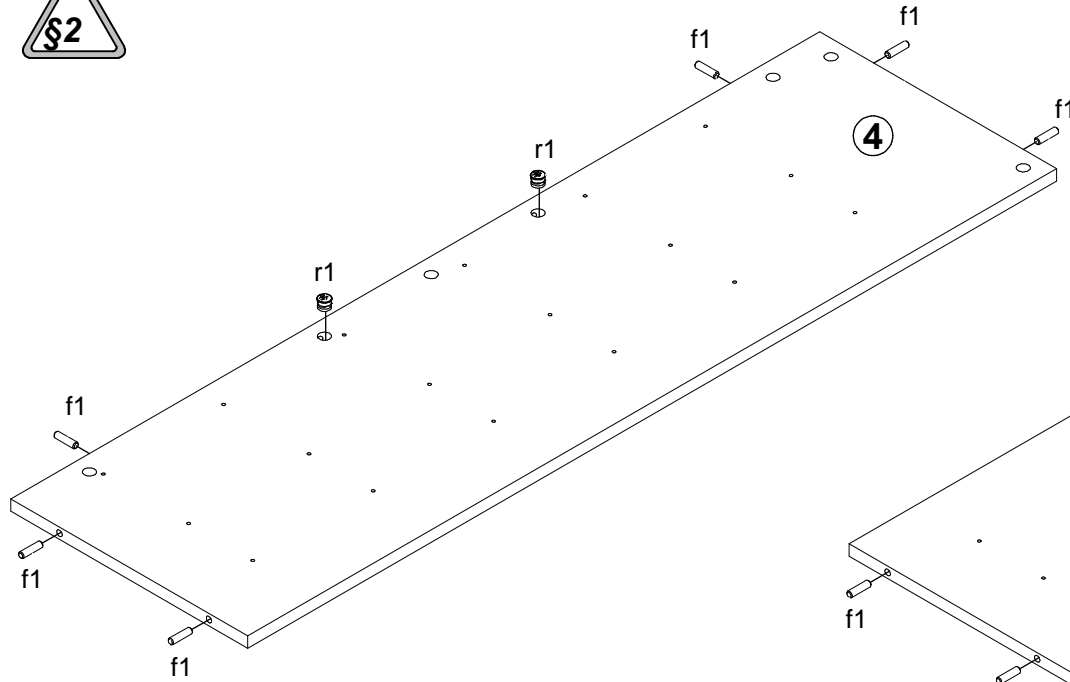


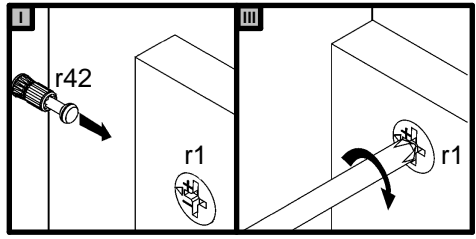
6x c347	4x Ø7x50 mm e1	36x Ø6x13 mm e3	36x Ø8x30 mm f1	24x Ø6.5x40 mm f25	12x M4x22 mm j30	2x k55	2x 1.51x61.2 mm k54	16x l2	4x Ø4x35 mm p6	6x φ4x30 mm p21	12x Ø3.5x16 mm p25	24x Ø3x12 mm p54
26x Ø15x12 mm #16 r1	4x r10	24x Ø12x10.5 mm #12 r15	42x r42	6x 333 mm t19	6x 350 mm w45\CL	6x 350 mm w45\CR	6x 350 mm w45\DL	6x 350 mm w45\DR	1x z1			
									1x Ø10x50 mm f35	1x 86x21x151.5 n14\2	1x Ø5x60 mm p17	2x Ø3.5x16 mm p38

1

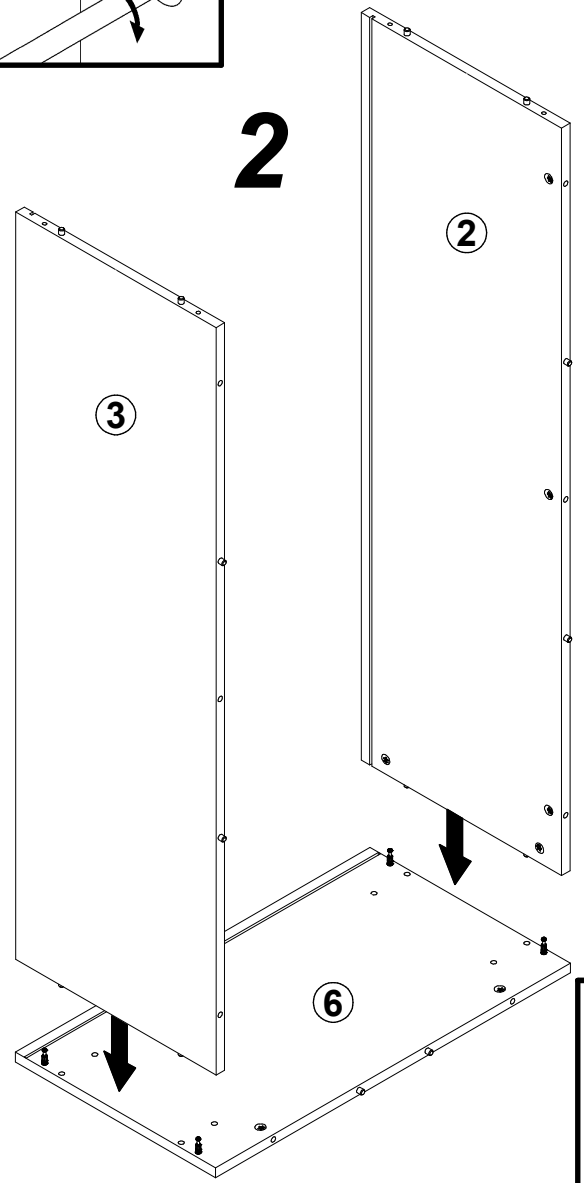


1

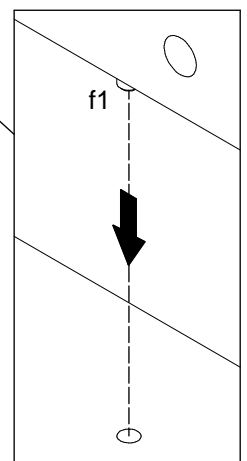
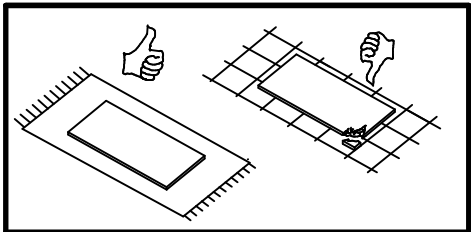
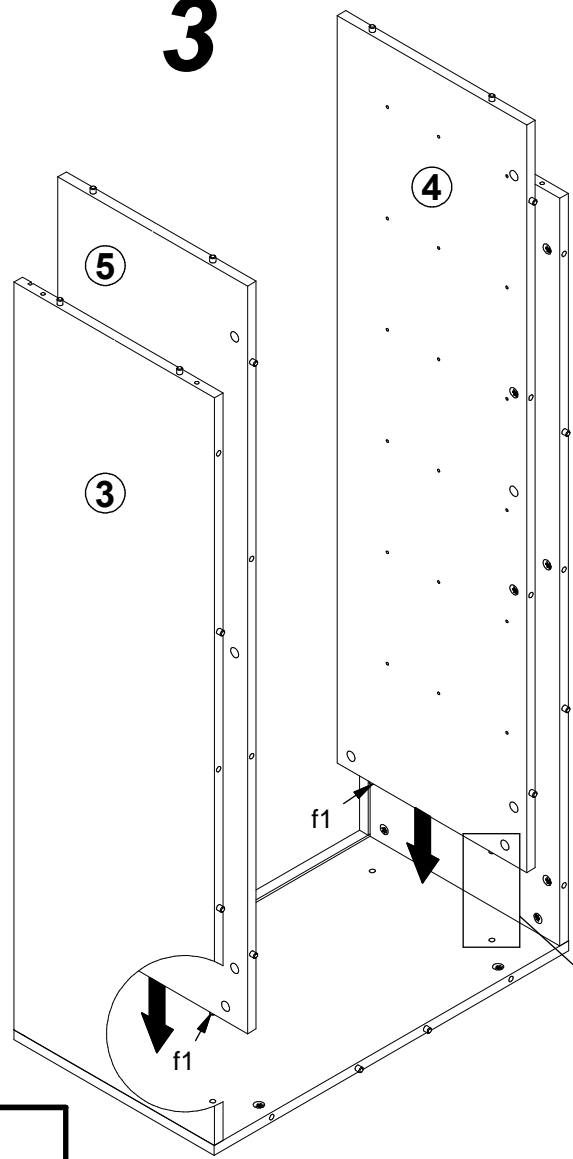


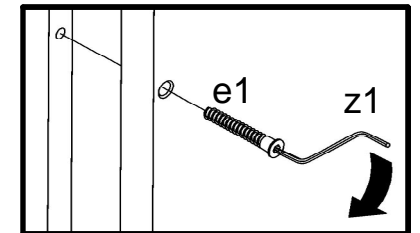
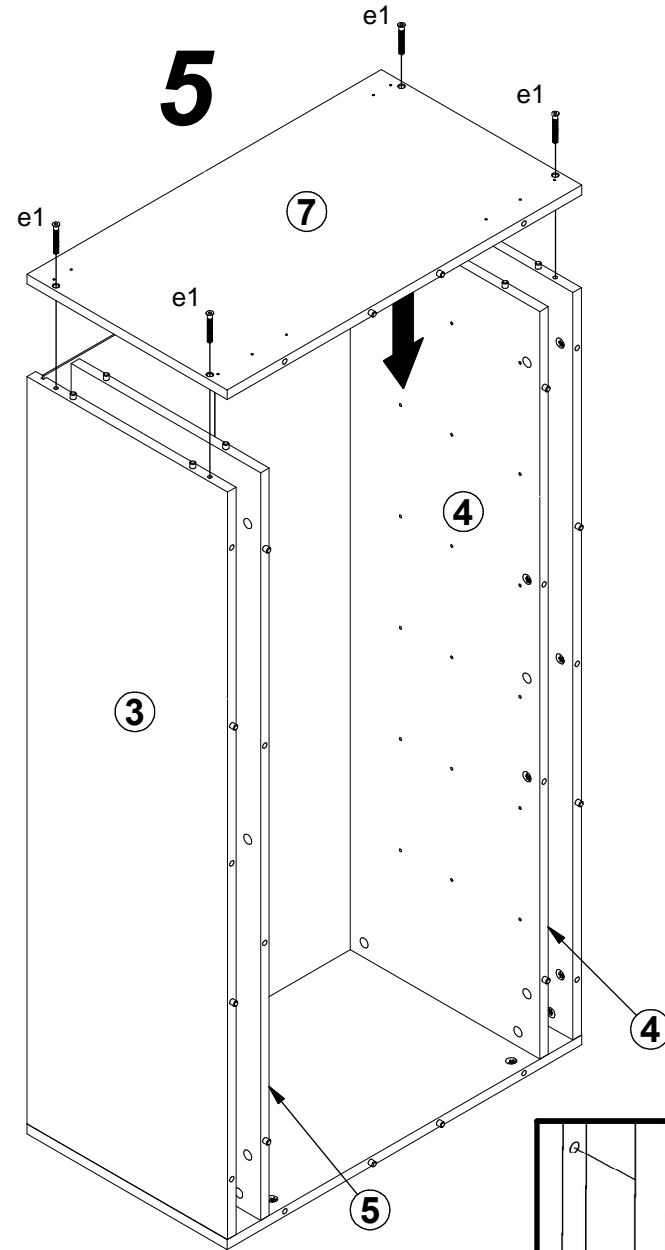
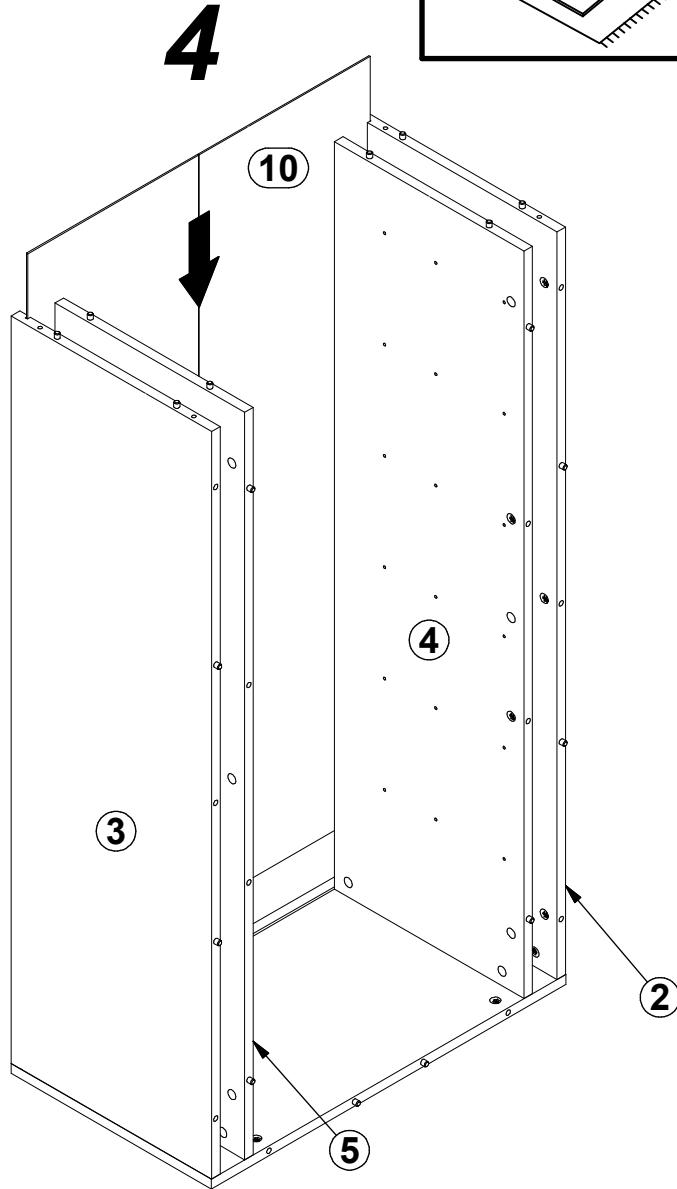
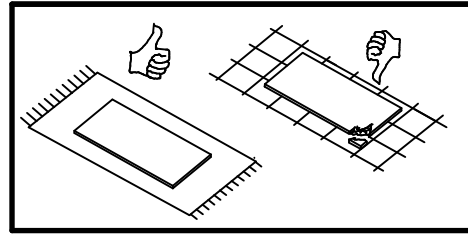


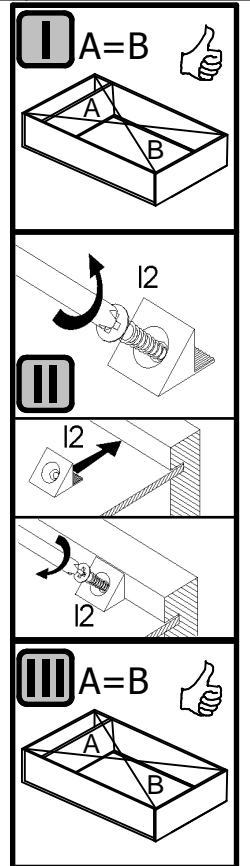
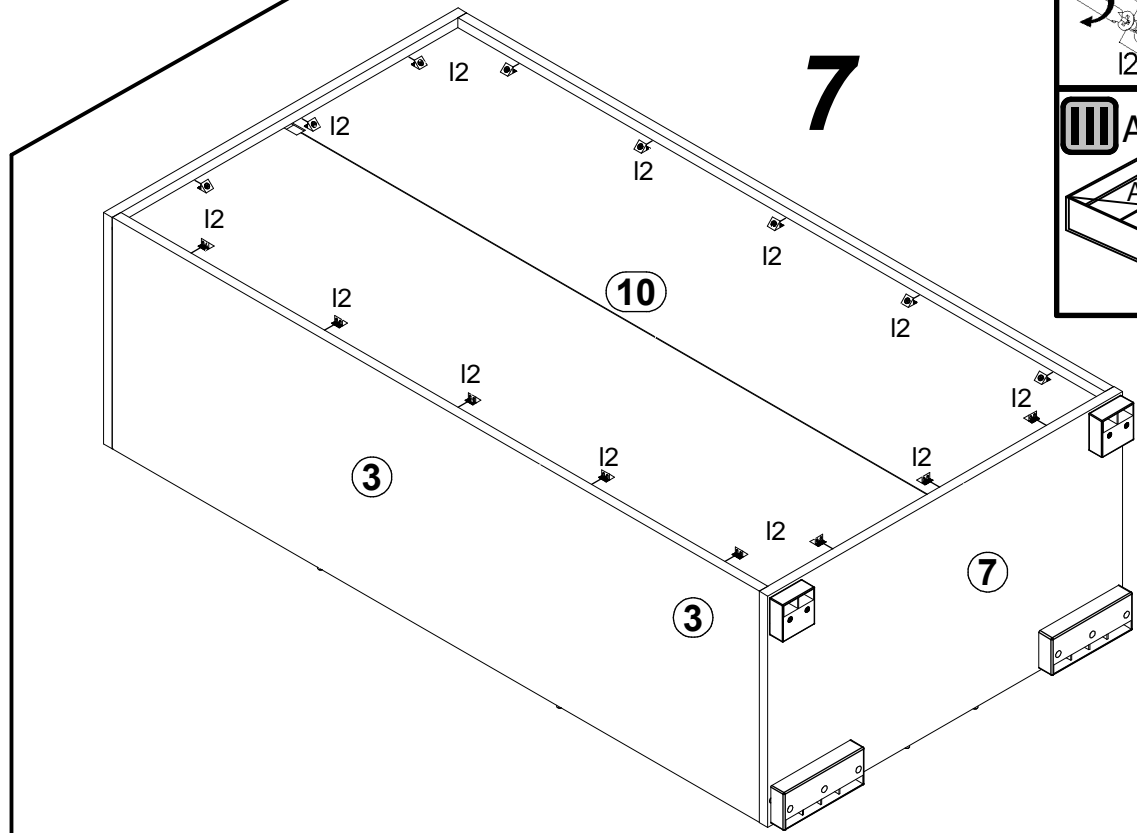
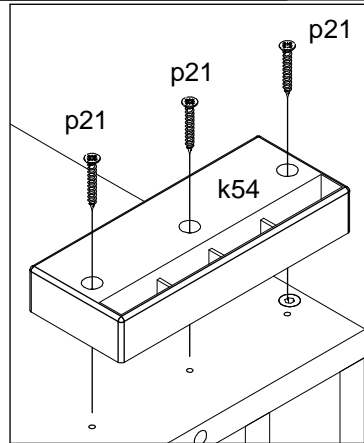
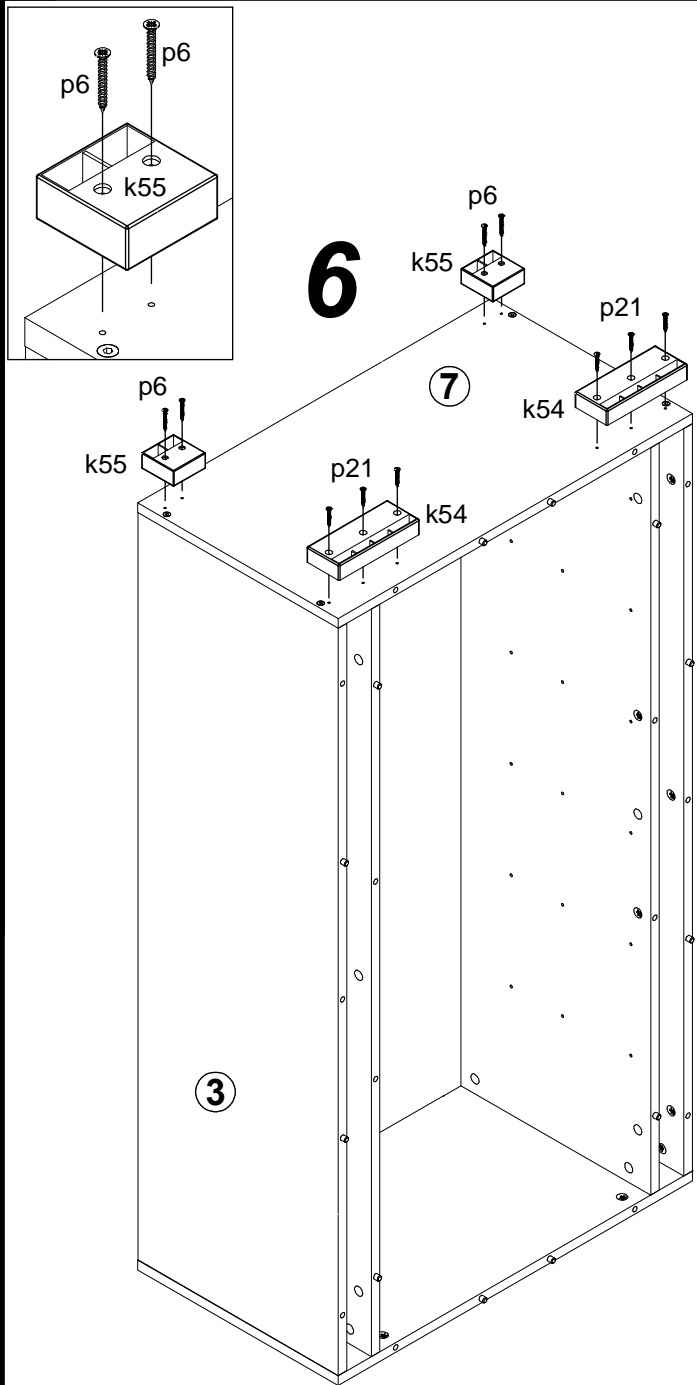
2

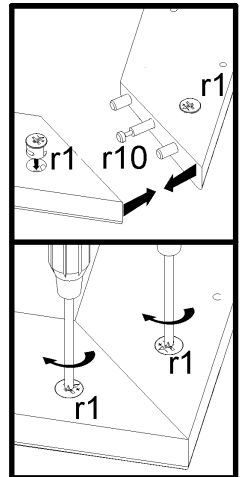
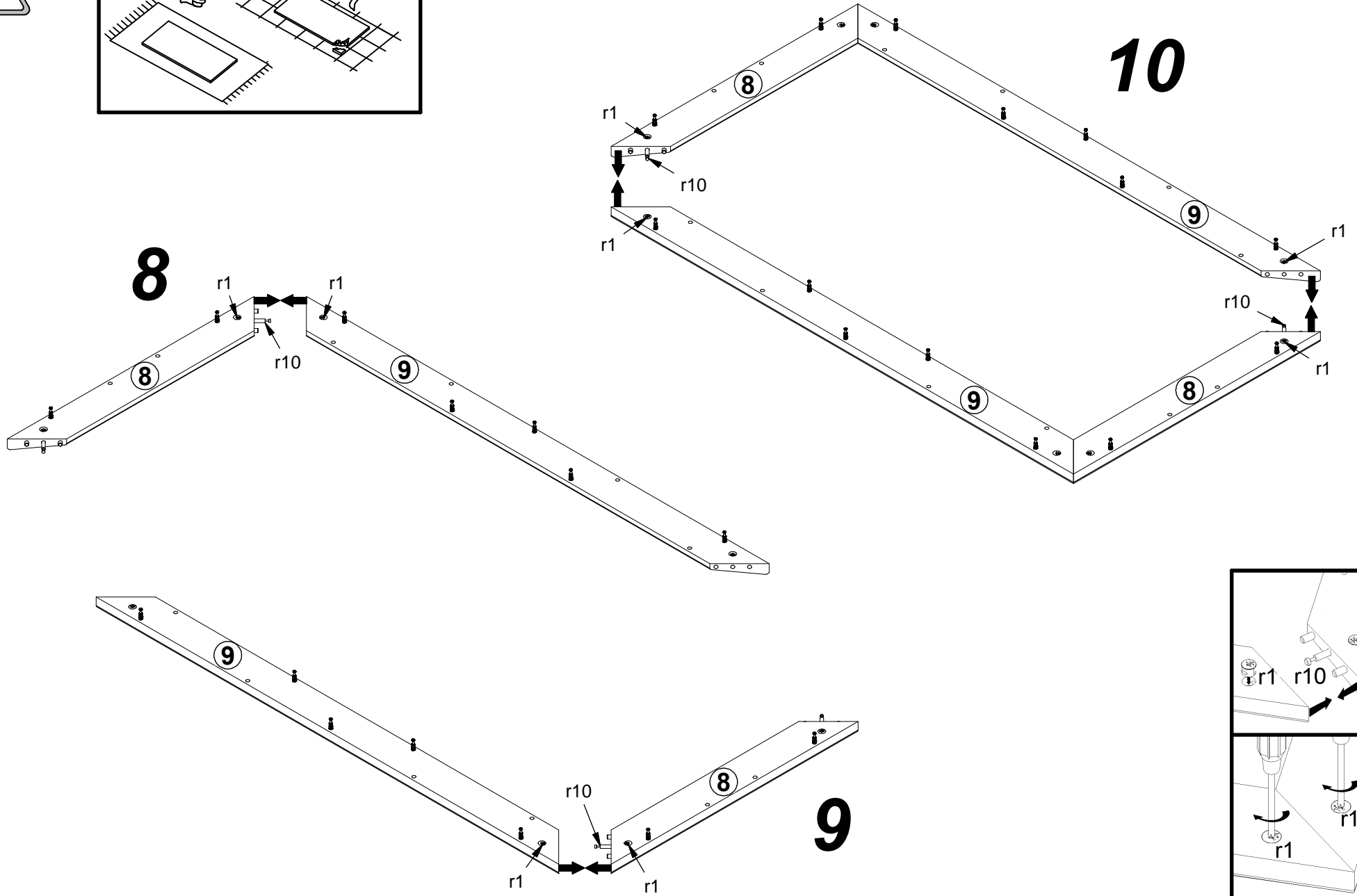
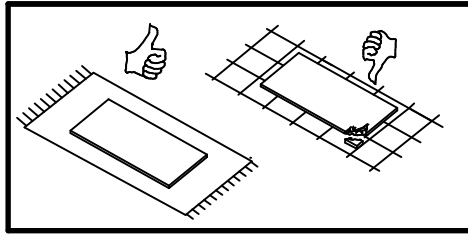


3



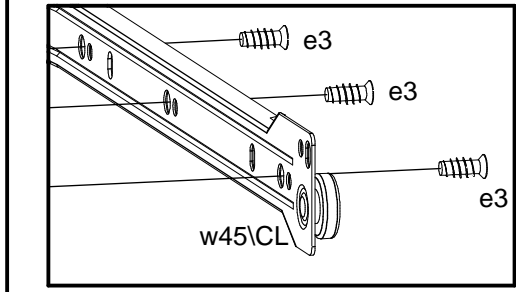
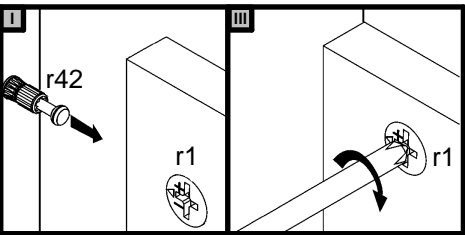
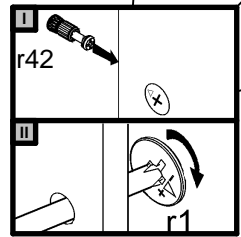
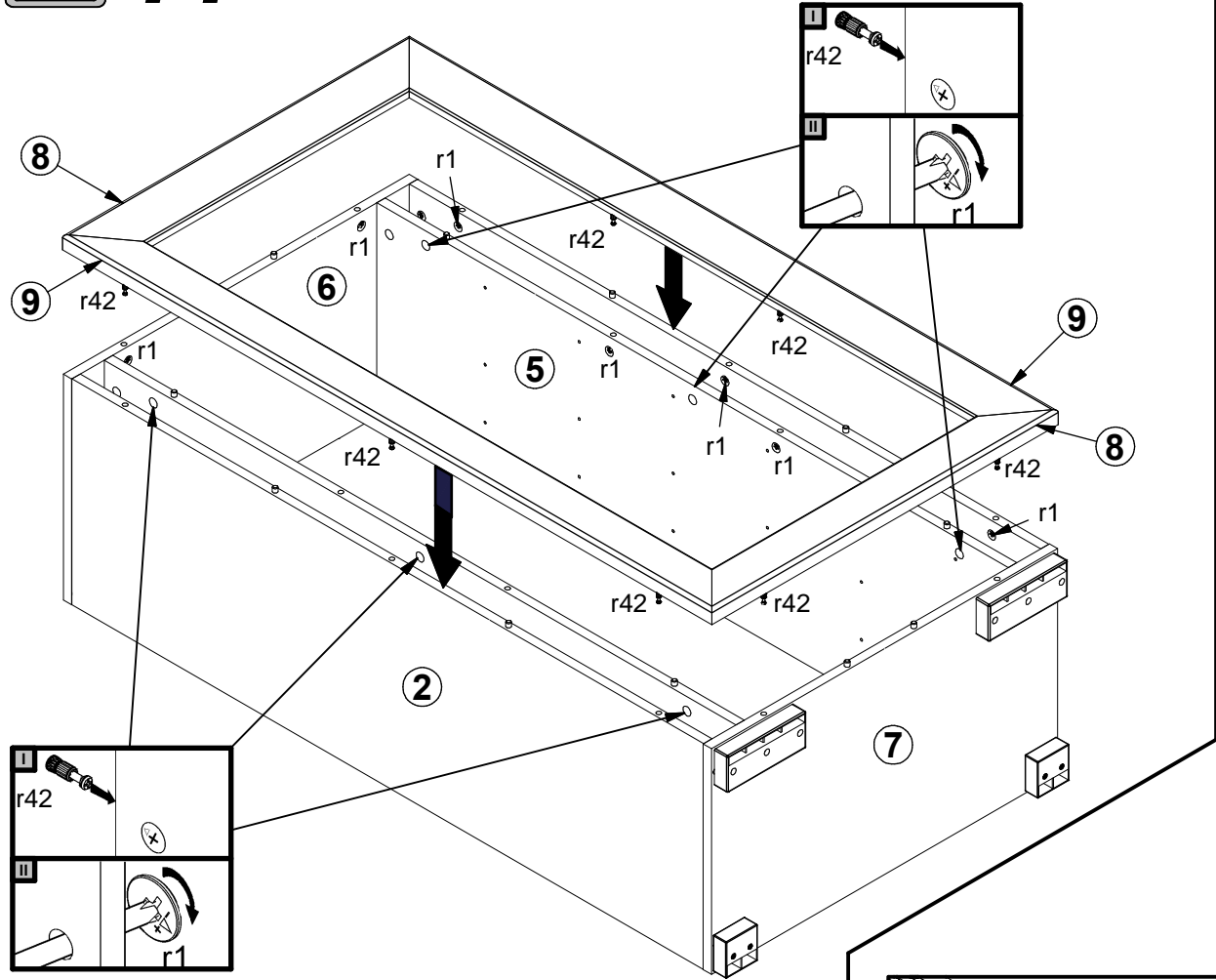




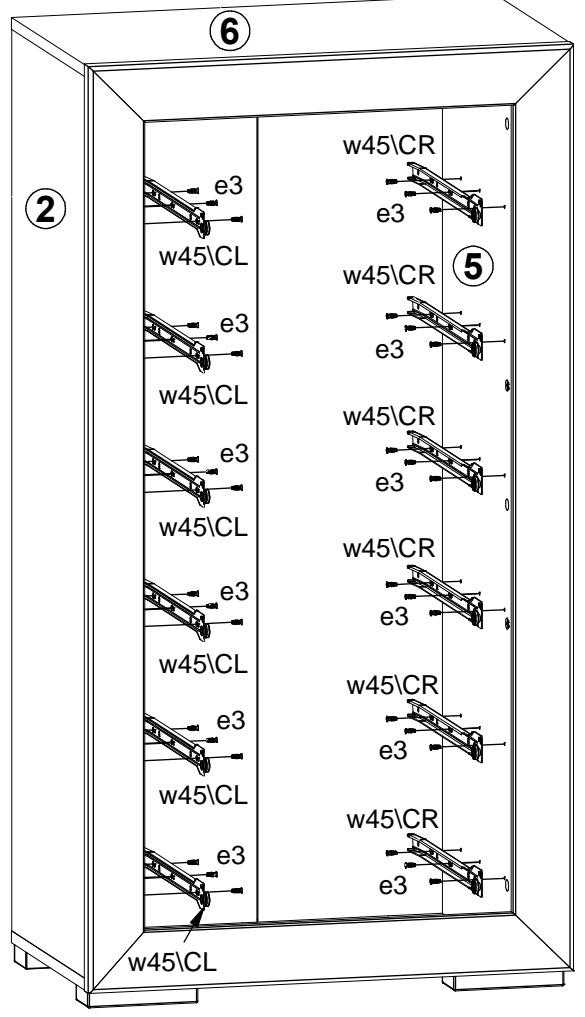
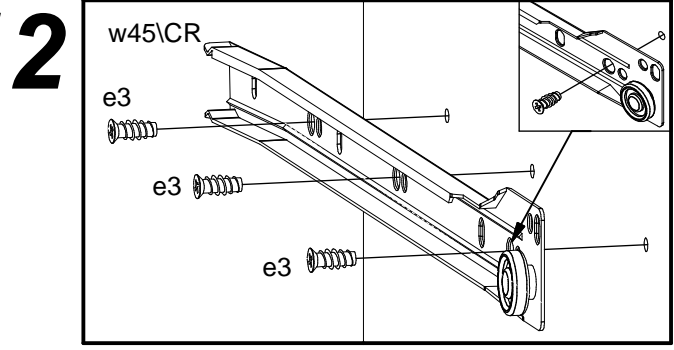




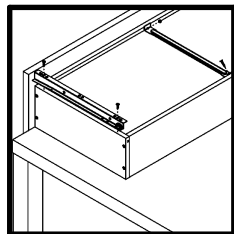
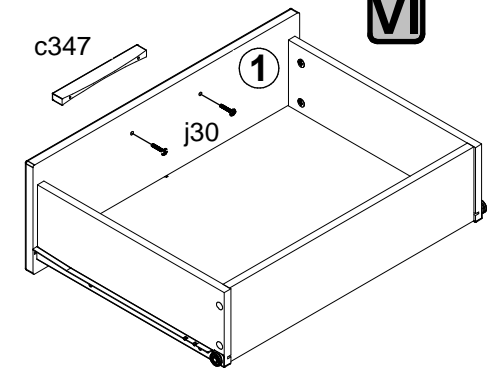
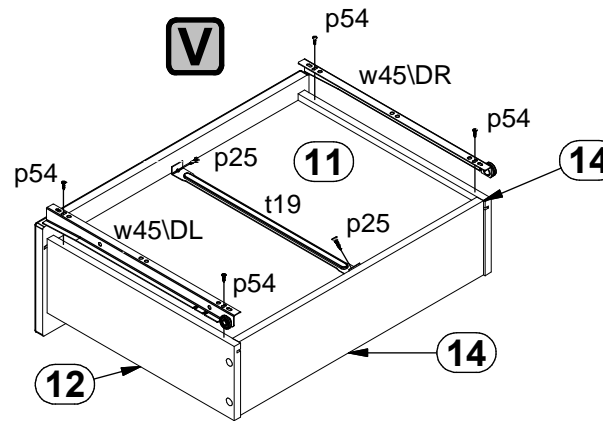
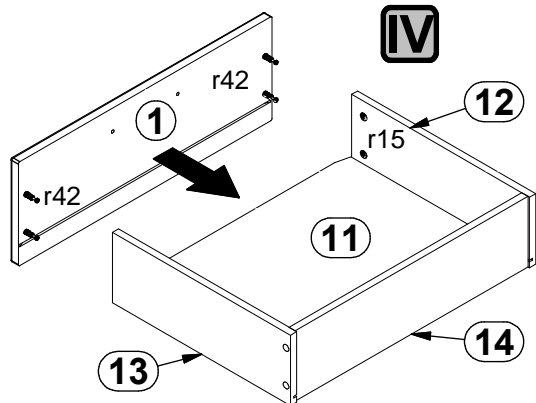
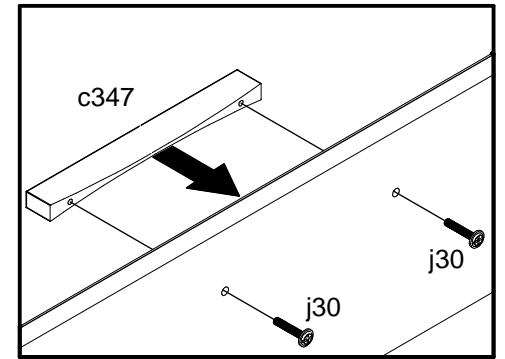
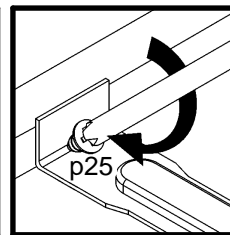
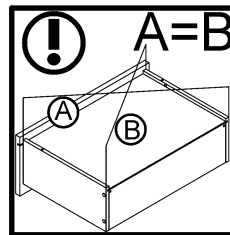
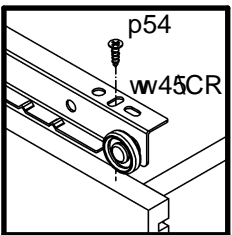
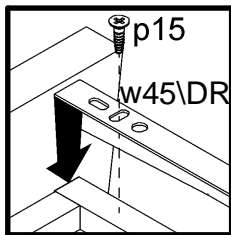
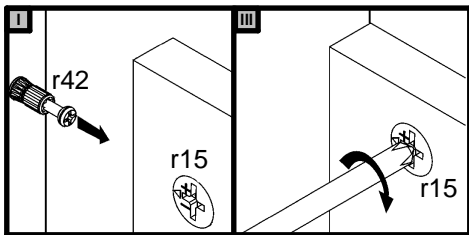
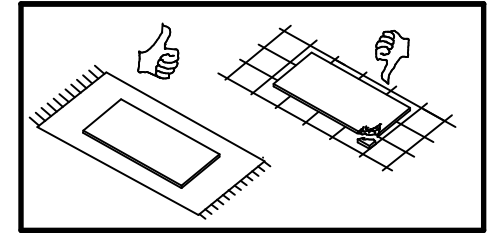
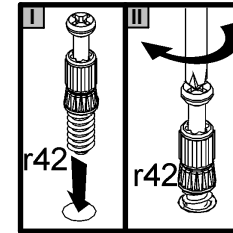
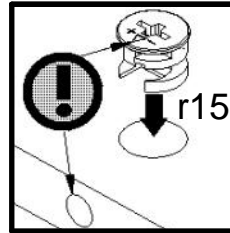
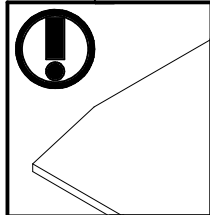
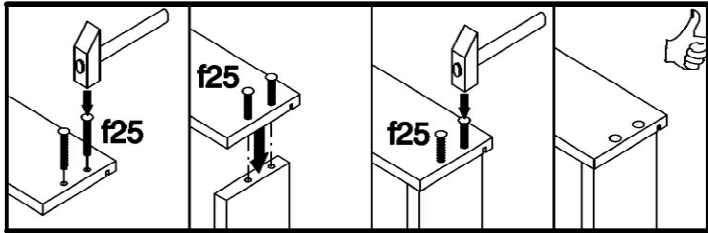
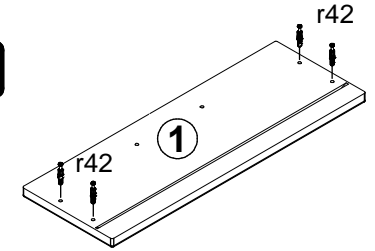
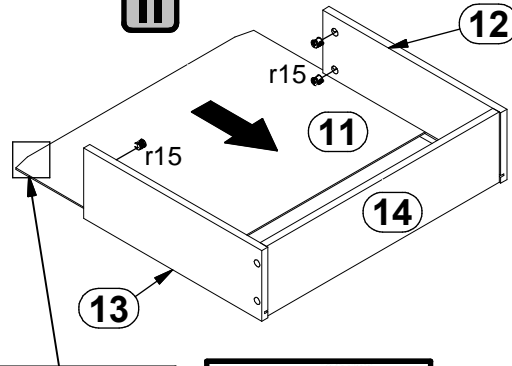
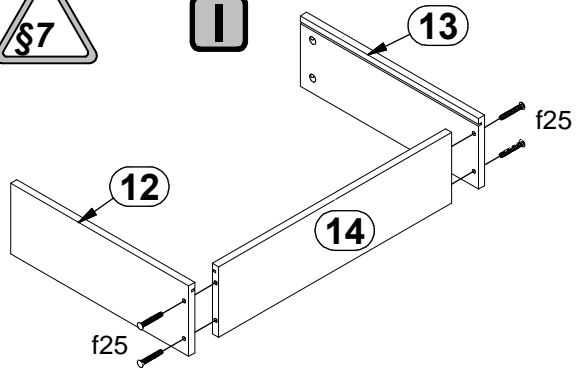
§6 11

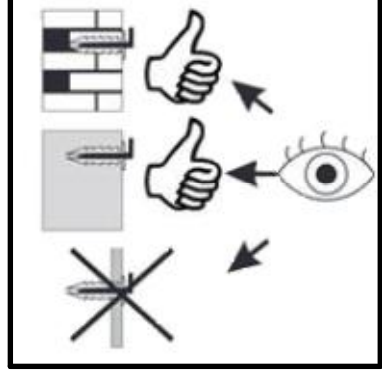
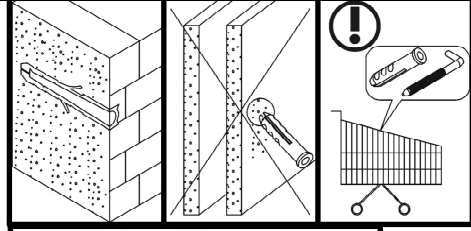
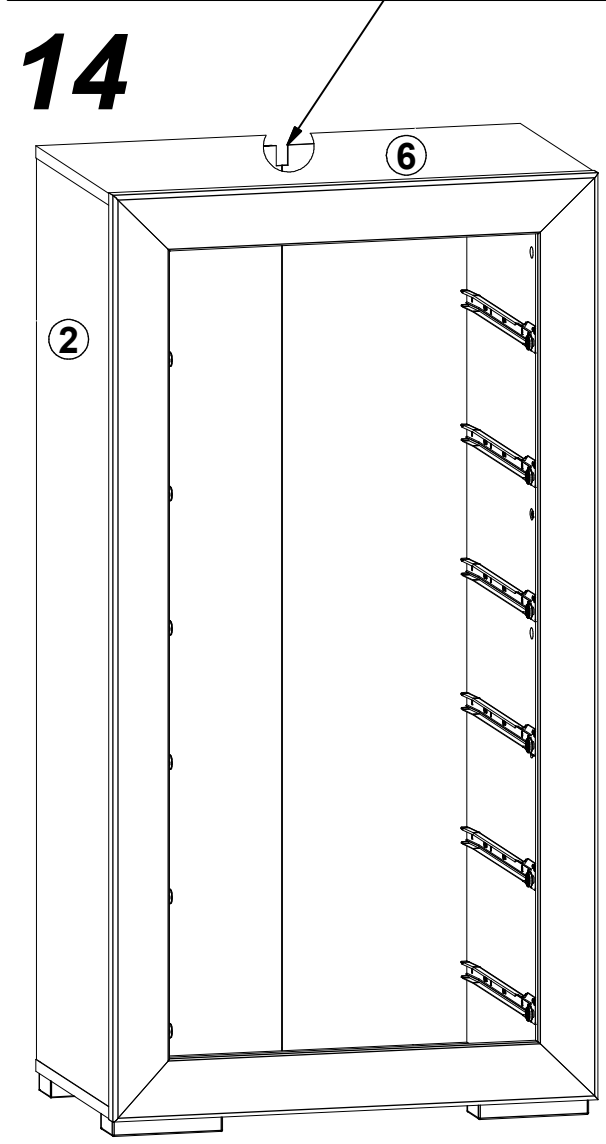
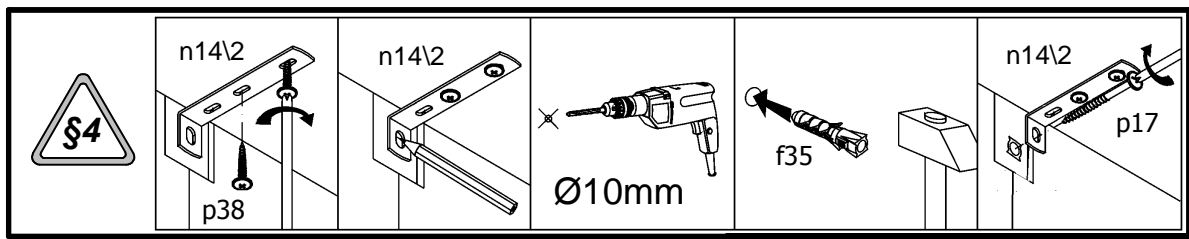


§6 12



# 13





15

