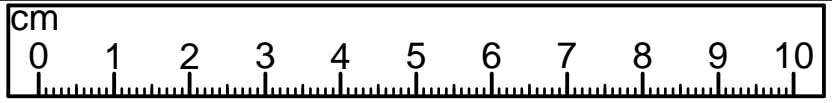
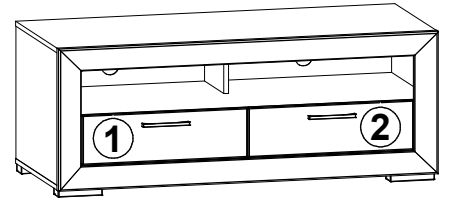
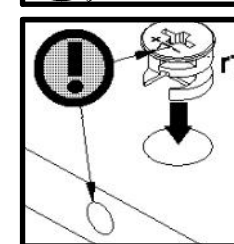
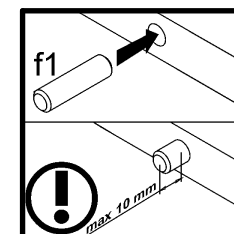
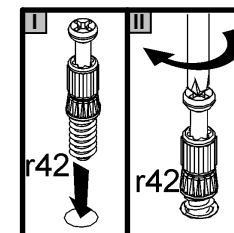
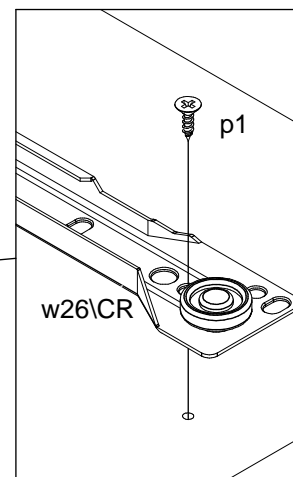
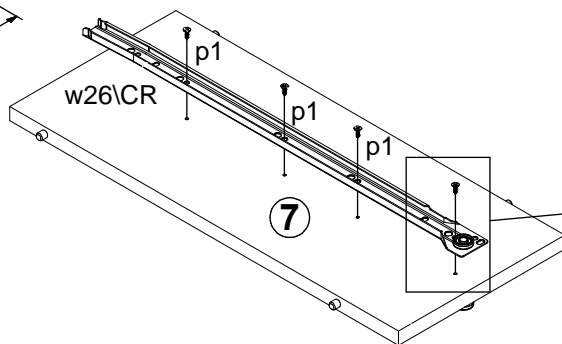
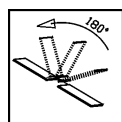
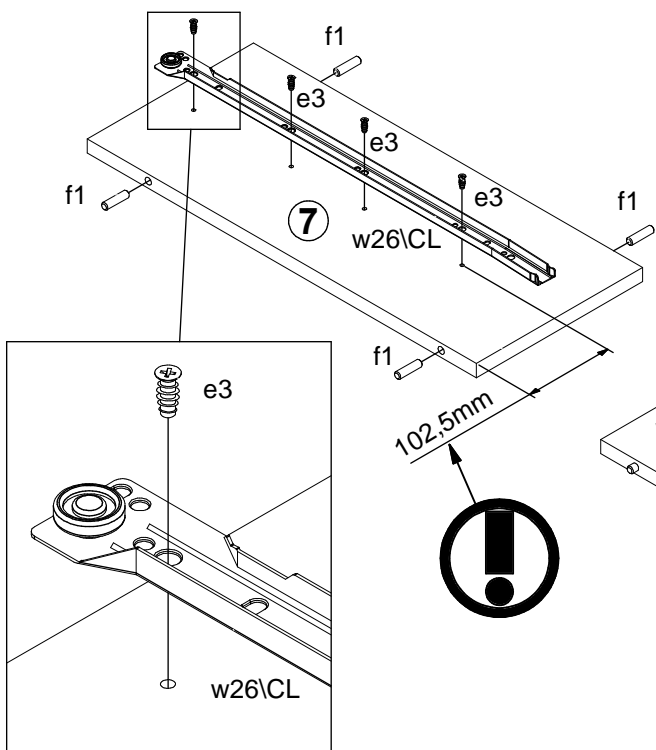
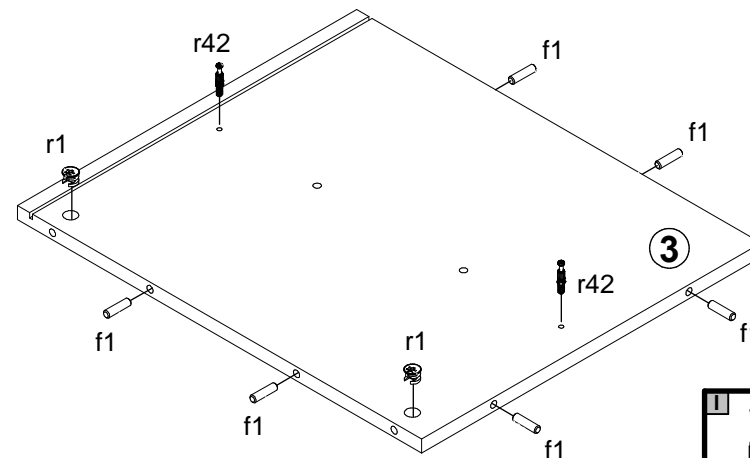
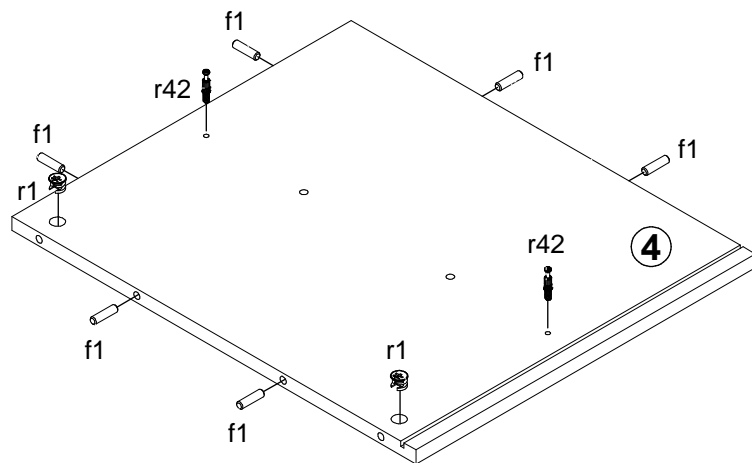
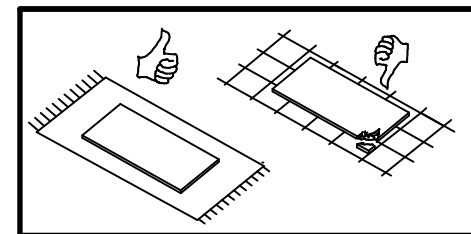


§1				
A	B	C (mm)		D
1	S125-062	566	166	1/2
2	S125-063	566	166	1/2
3	S125-162	445	530	2/2
4	S125-163	445	530	2/2
5	S125-164	218	510	2/2
6	S125-165	218	510	2/2
7	S125-166	218	510	2/2
8	S125-167	211	247	1/2
9	S125-228	1300	530	1/2
10	S125-229	1300	530	1/2
11	S125-334	1267	510	1/2
12	S125-504	500	100	2/2
13	S125-505	500	100	2/2
14	S125-524	514	100	2/2
15	S125-582	479	80	1/2
16	S125-593	1301	80	1/2
17	S125-934	524	498	1/2
18	S125-935	1277	455	1/2

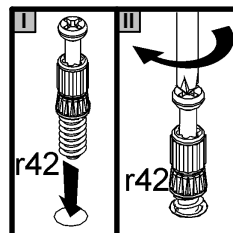
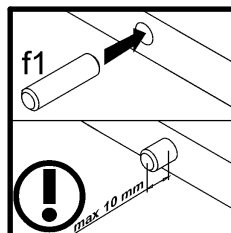
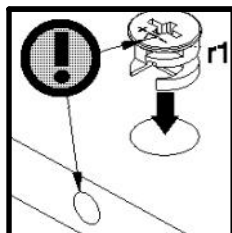
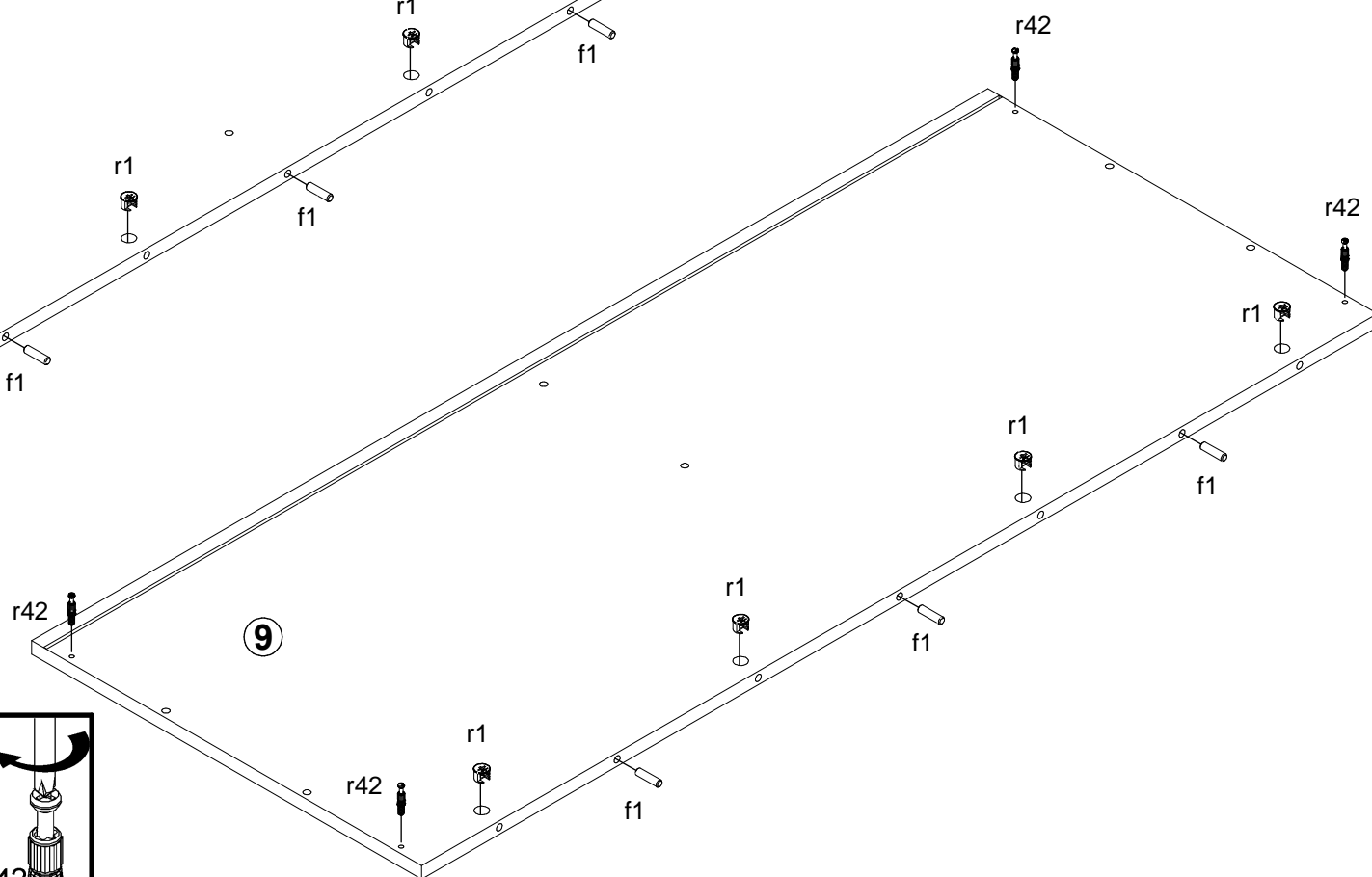
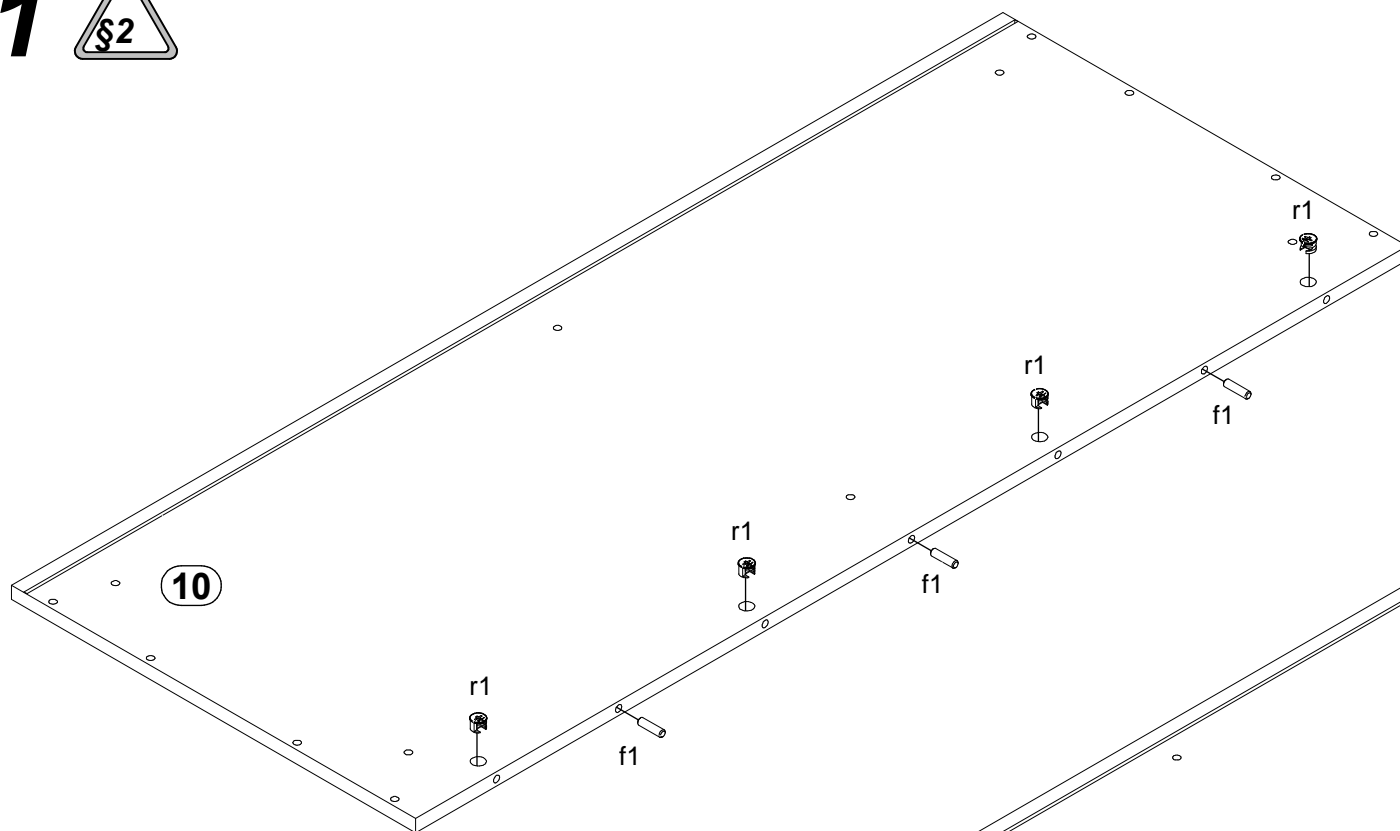
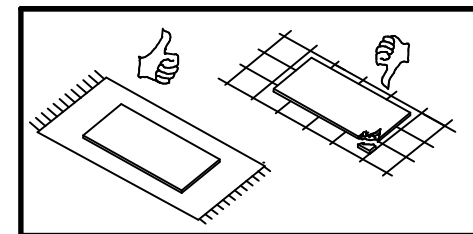


2x  c347	4x  Ø7x50 mm e1	12x  Ø6x13 mm e3	46x  Ø8x30 mm f1	8x  Ø6.5x40 mm f25	4x  M4x22 mm j30	2x  k55	2x  L51xØ12.5 mm k54	13x  l1	14x  l2	4x  Ø3.5x13 mm p1	4x  Ø4x35 mm p6	6x  Ø4x30 mm p21
4x  Ø3.5x16 mm p25	8x  Ø3x12 mm p54	26x  Ø15x12 mm #16 r1	4x  r10	8x  Ø12x10.5 mm #12 r15	26x  r42	2x  483 mm t17	2x  500 mm w26ICL	2x  500 mm w26ICR	2x  500 mm w26IDL	2x  500 mm w26IDR	1x  z1	
									1x  Ø10x50 mm f35	1x  86x21x15/1.5 n14I2	1x  Ø5x60 mm p17	2x  Ø3.5x16 mm p38

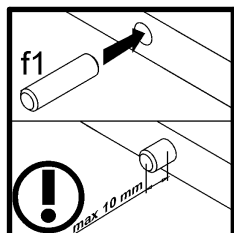
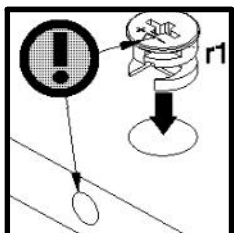
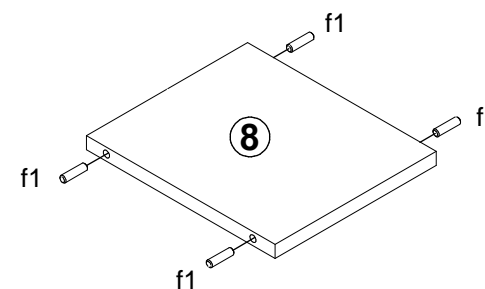
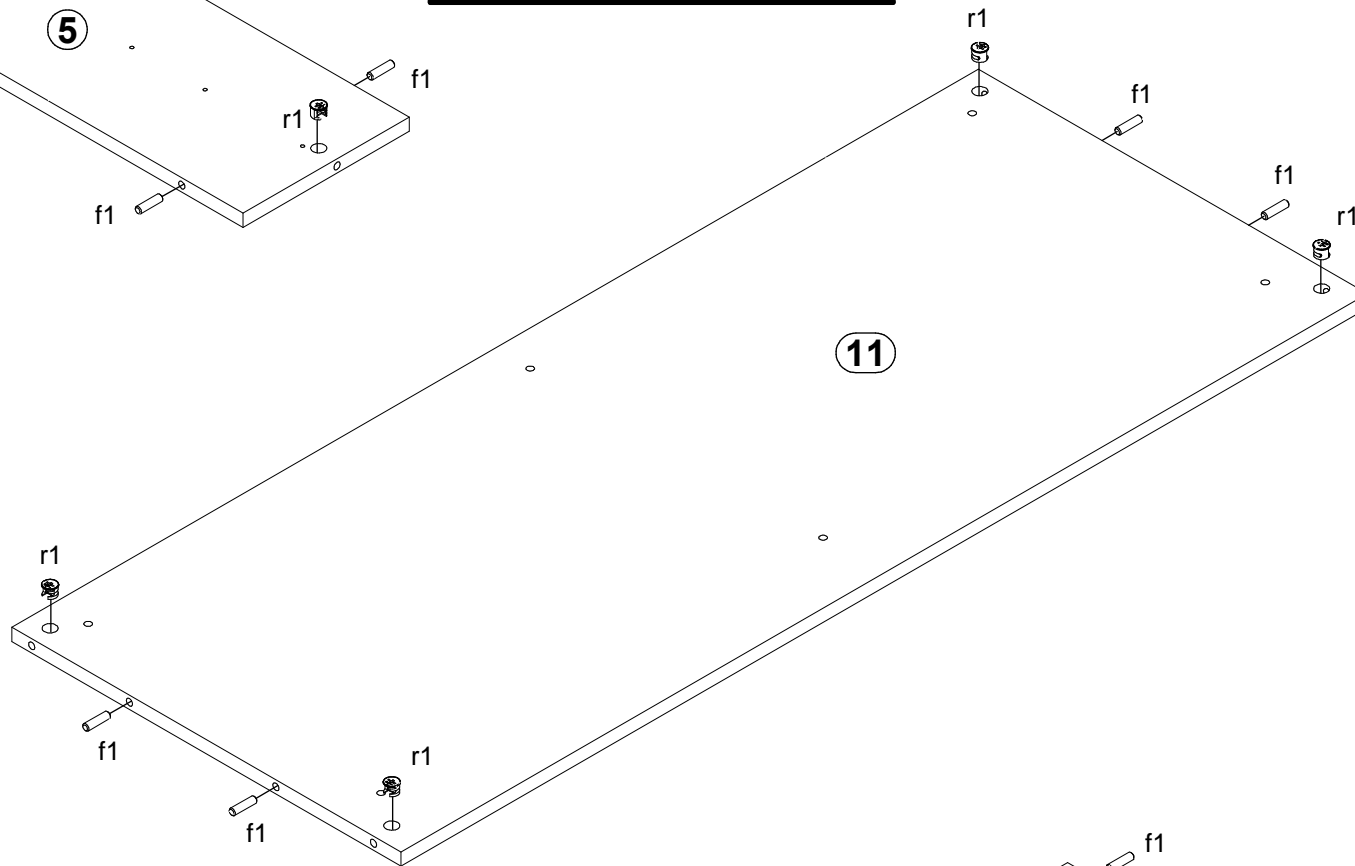
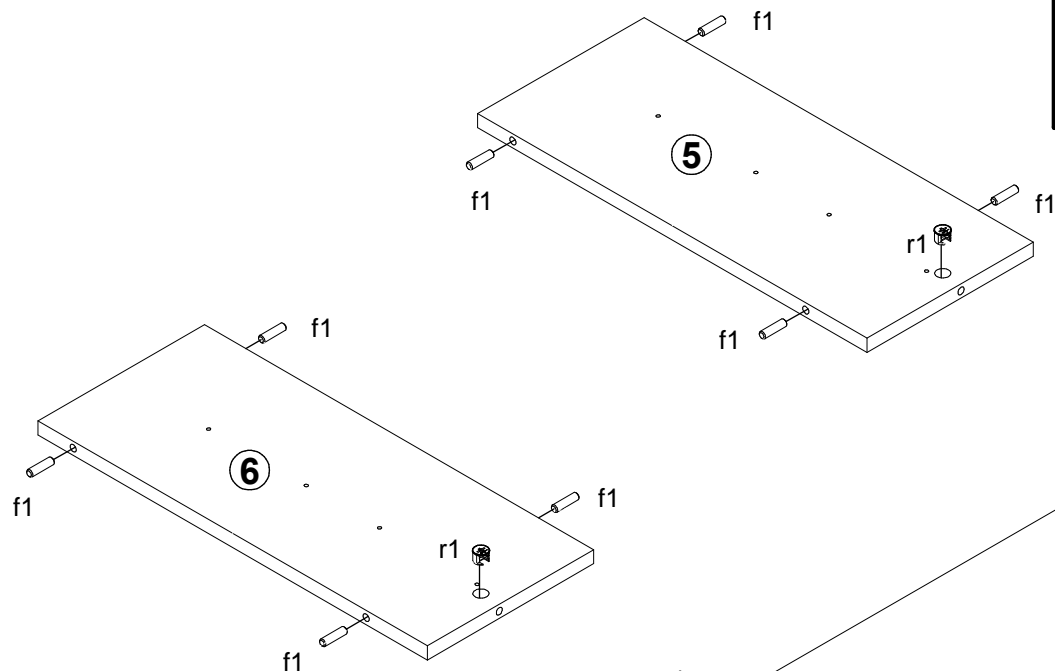
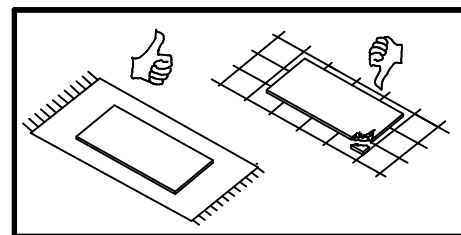
1

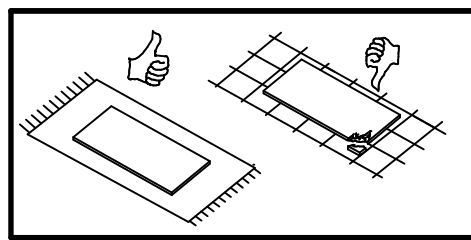
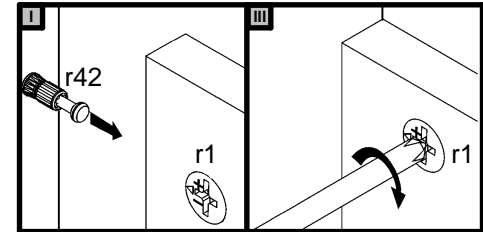
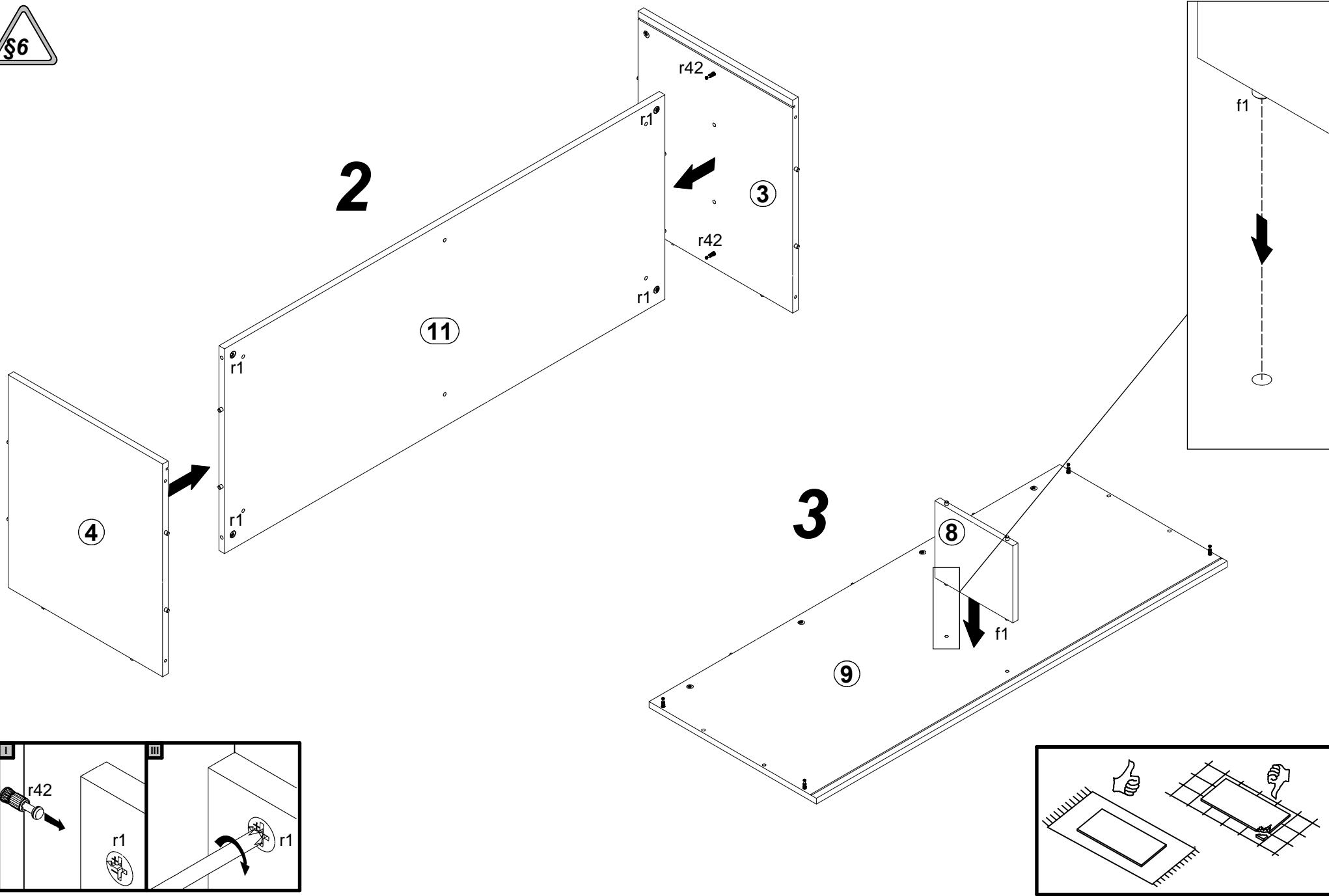


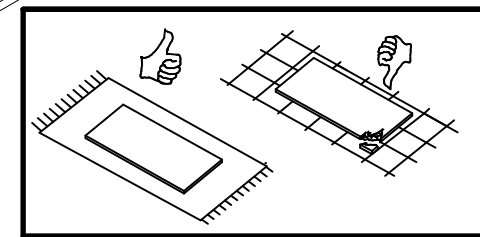
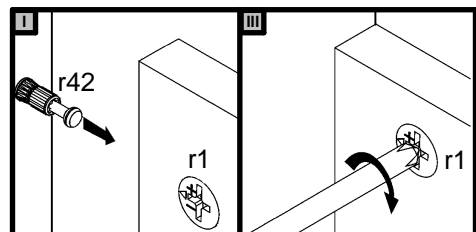
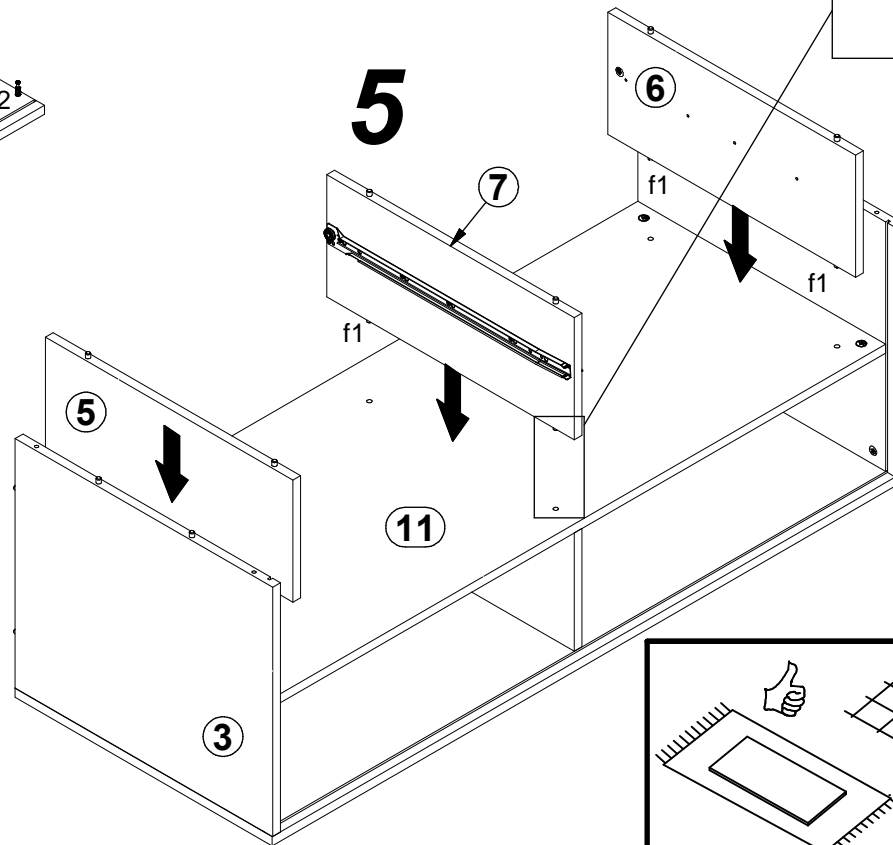
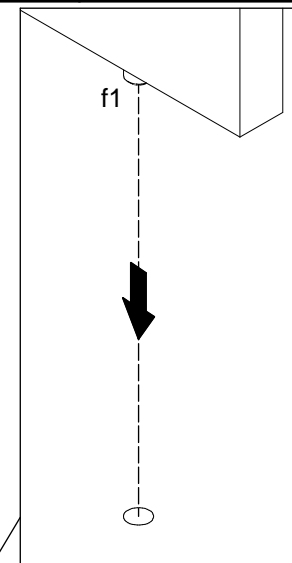
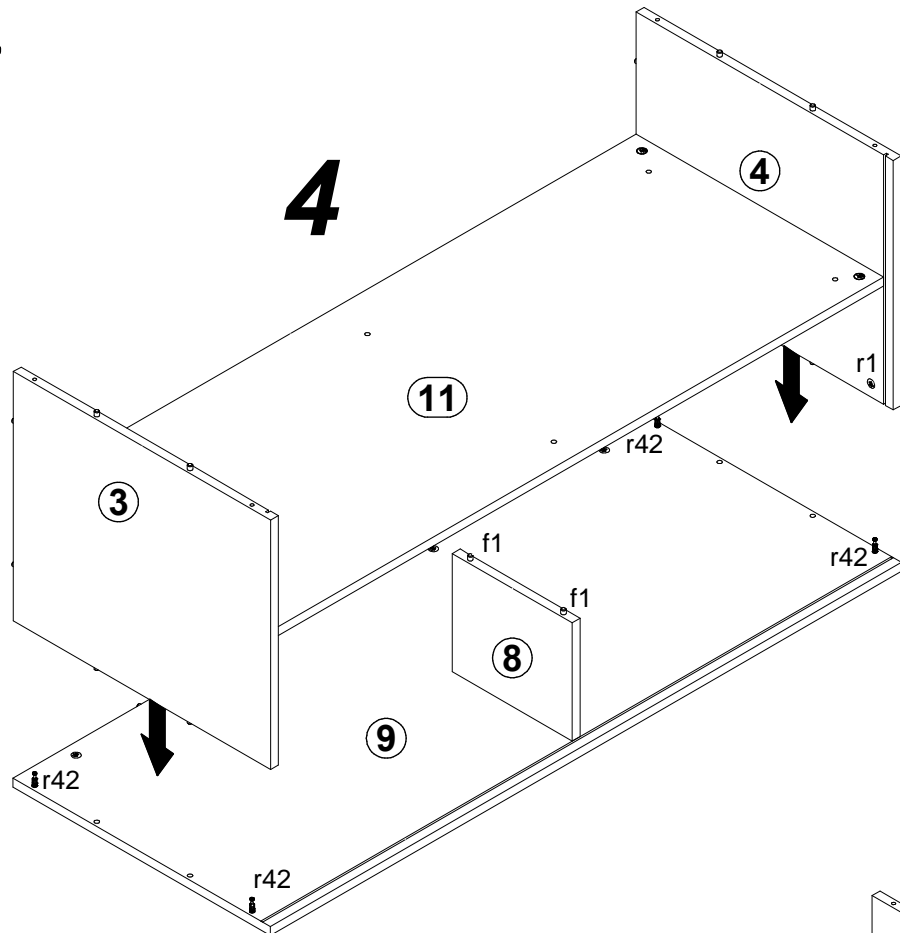
1

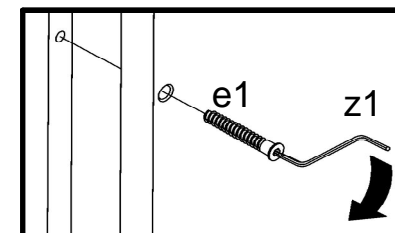
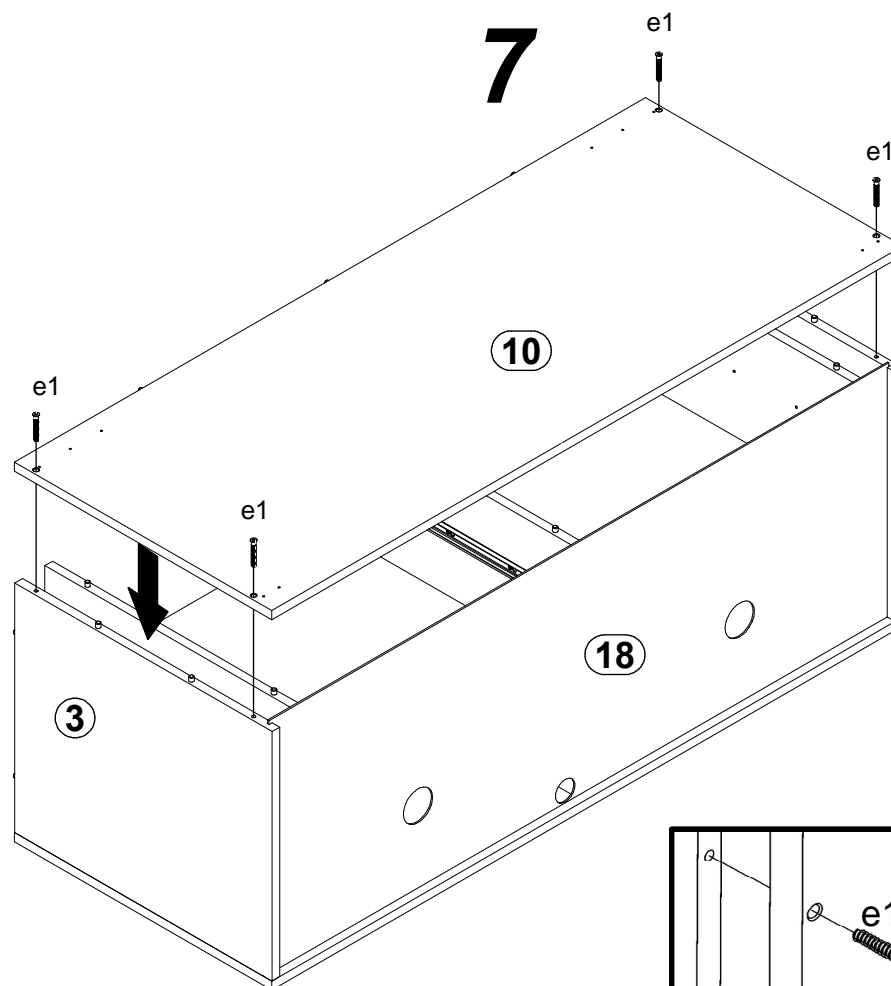
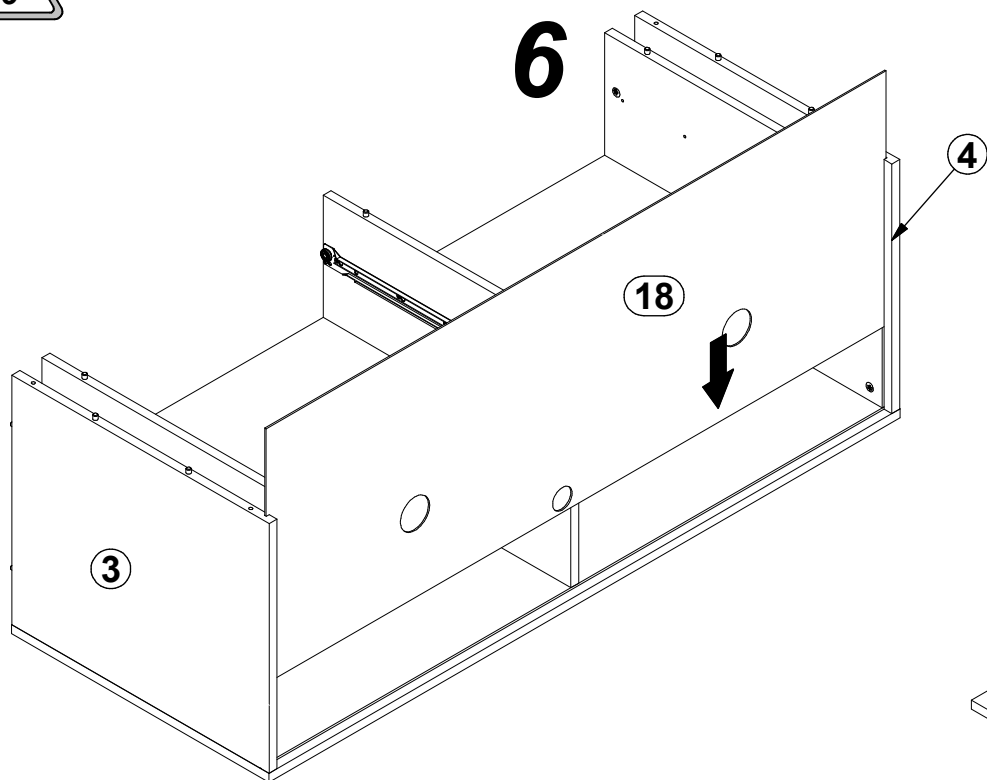


1

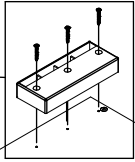
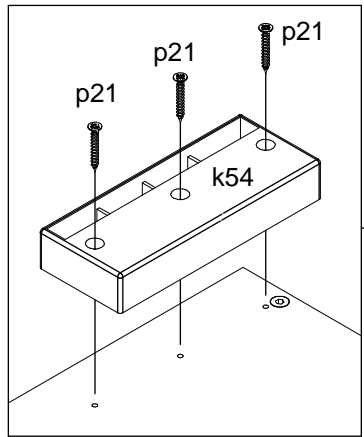




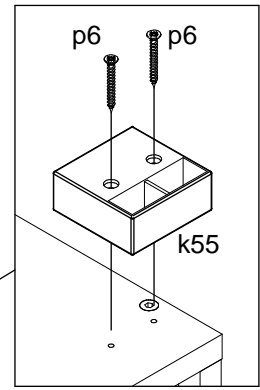






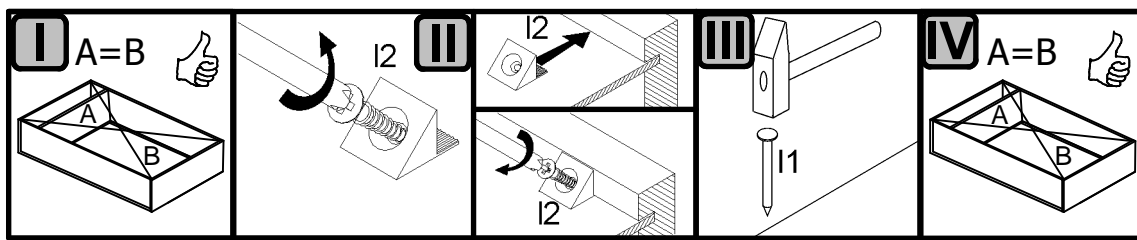
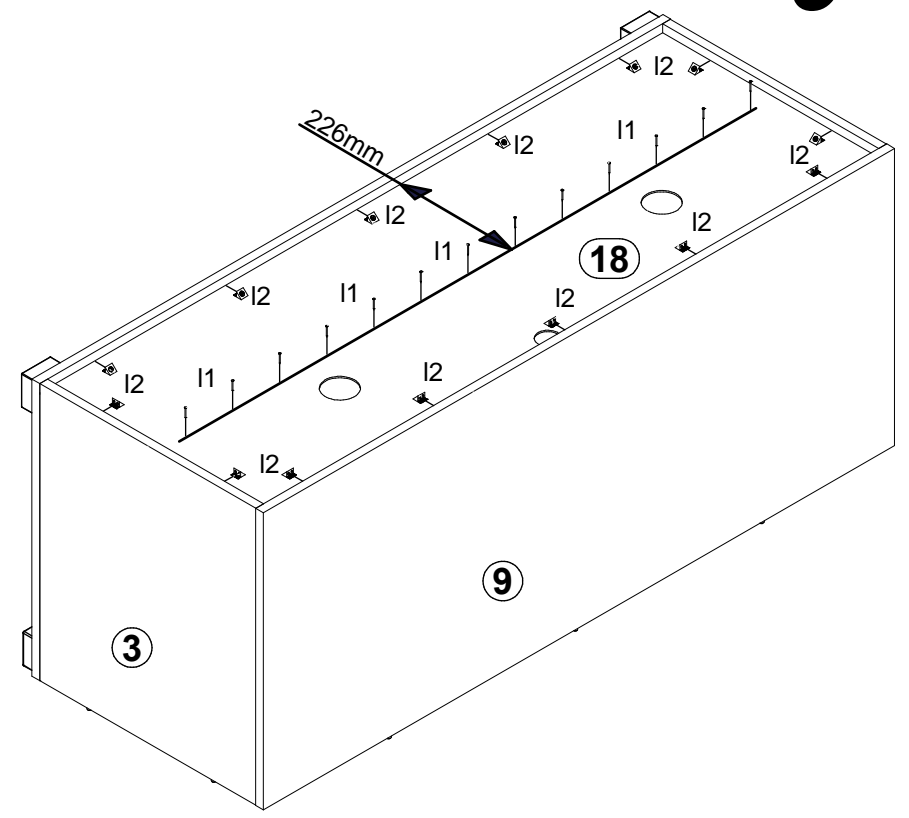
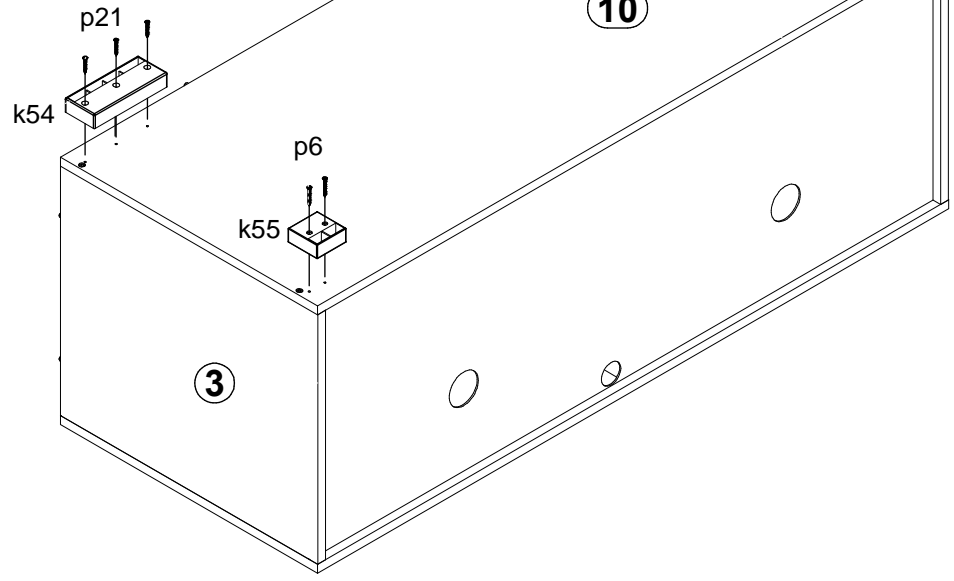


8

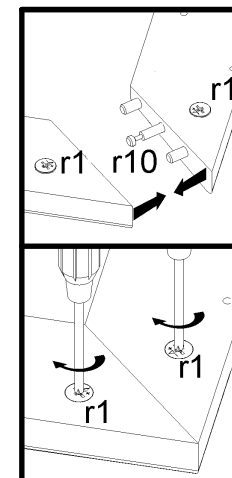
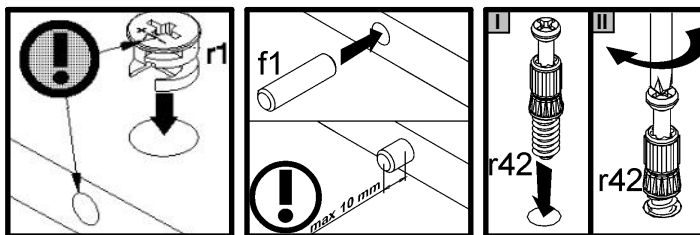
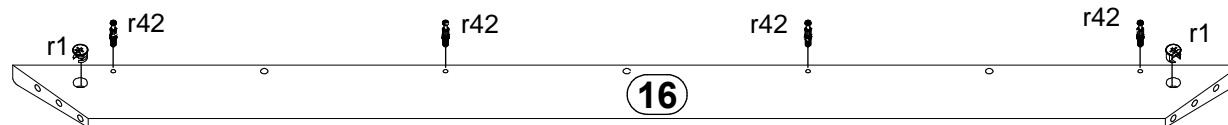
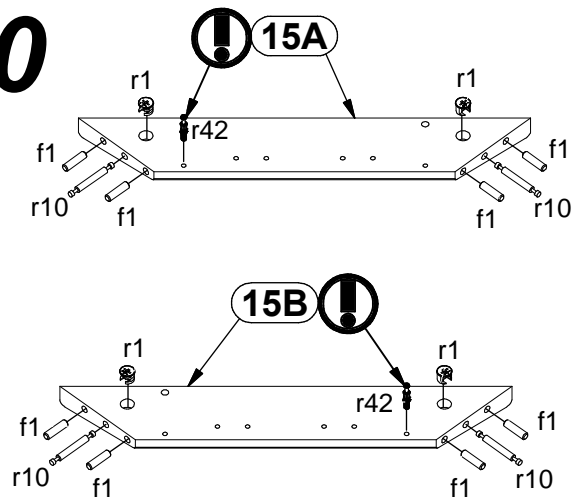


10

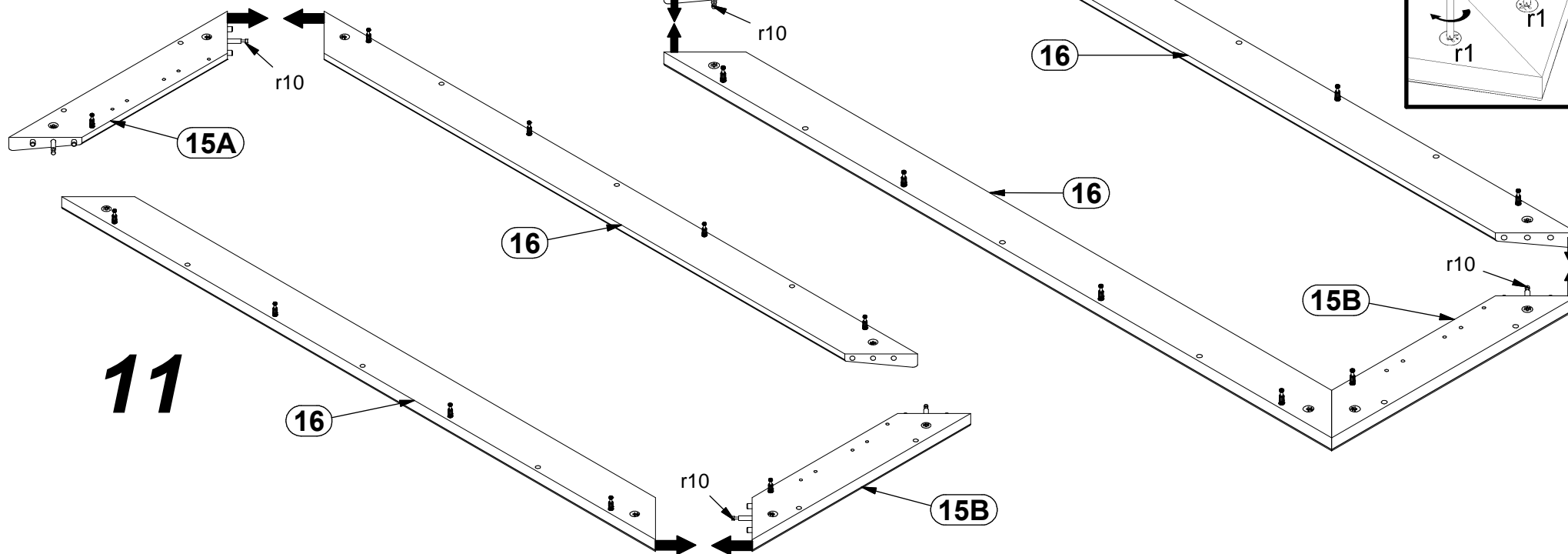
9



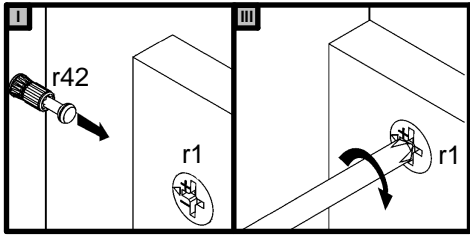
10



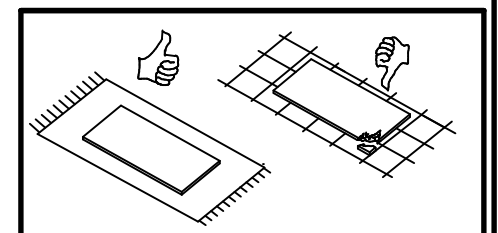
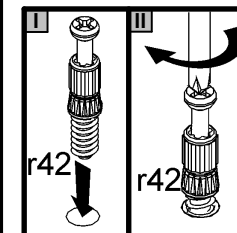
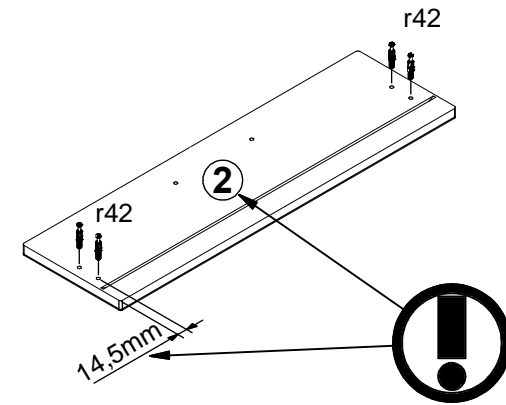
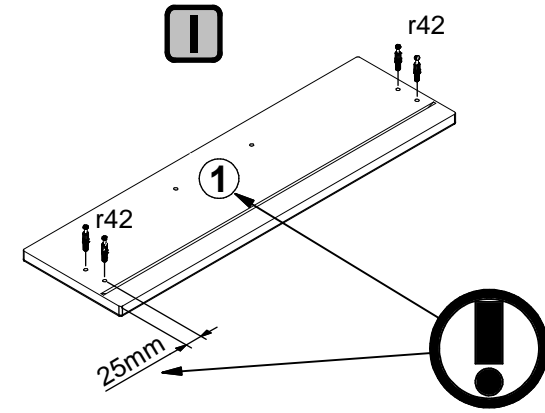
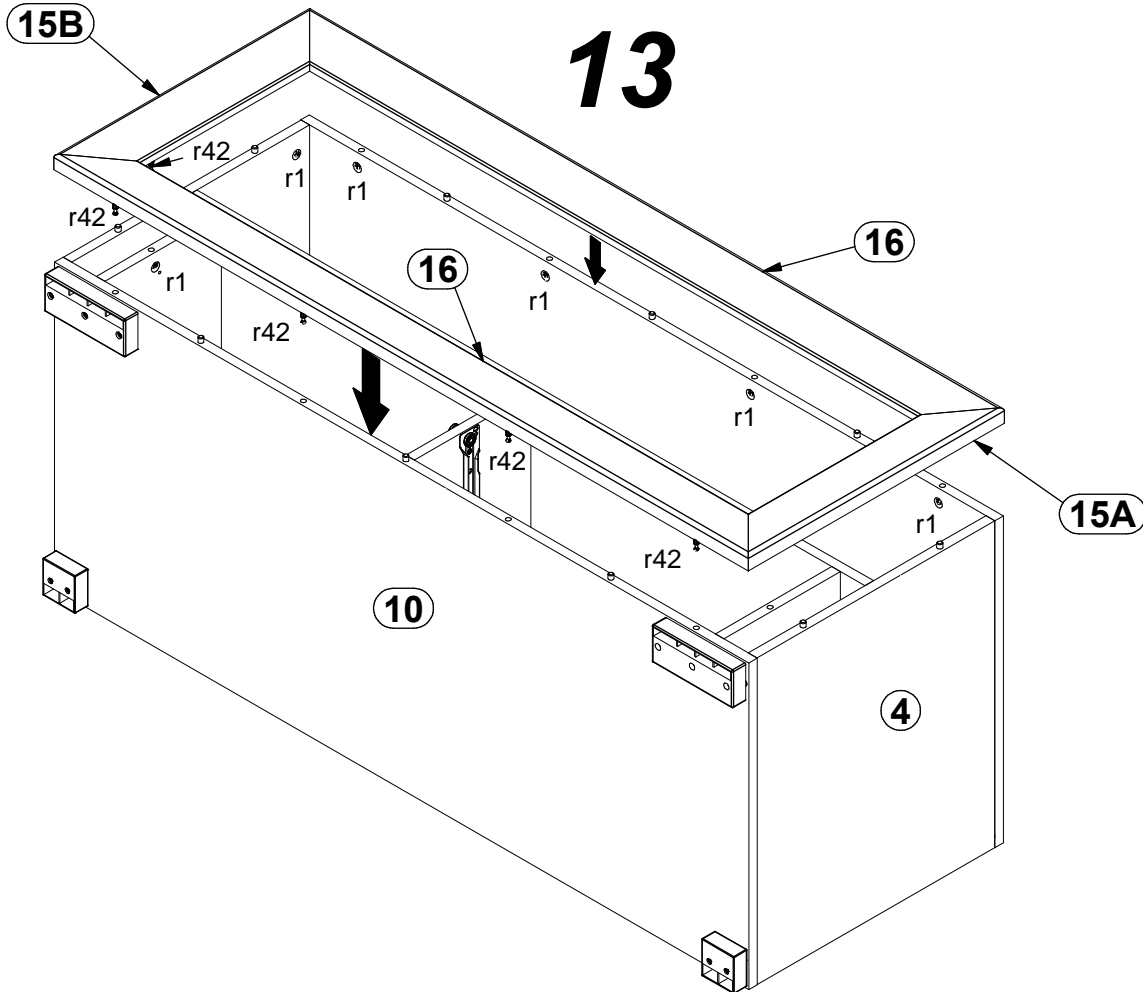
12



11

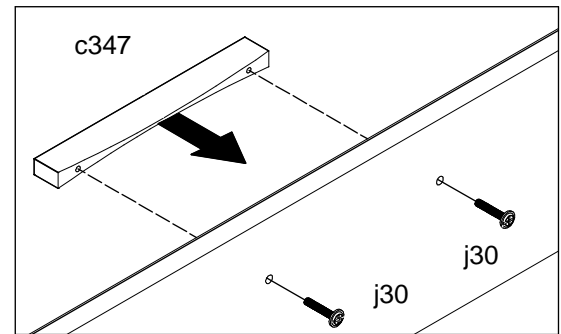
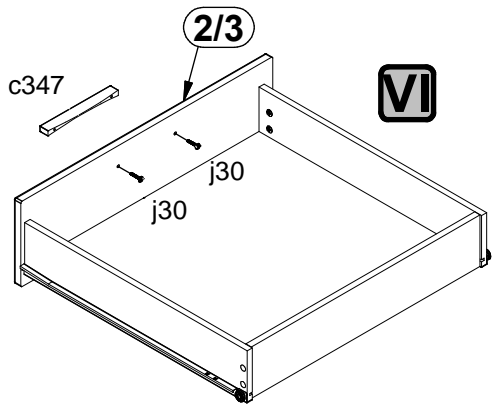
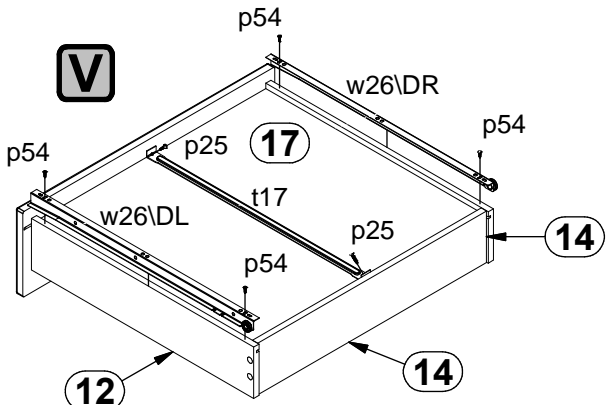
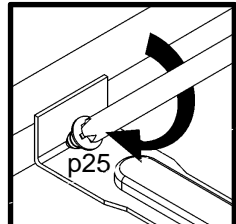
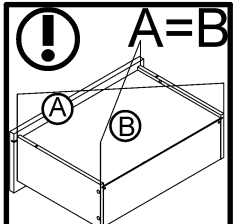
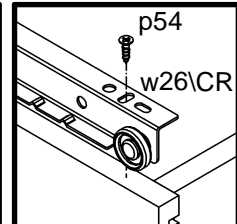
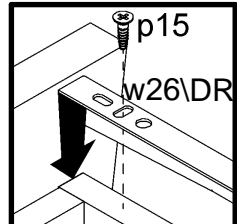
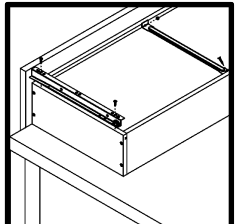
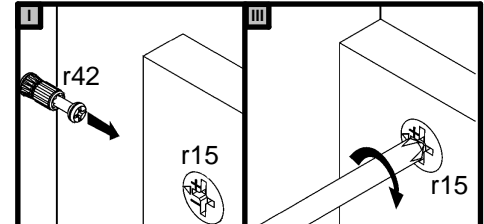
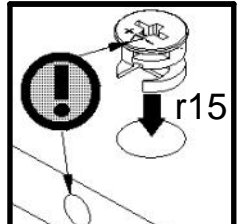
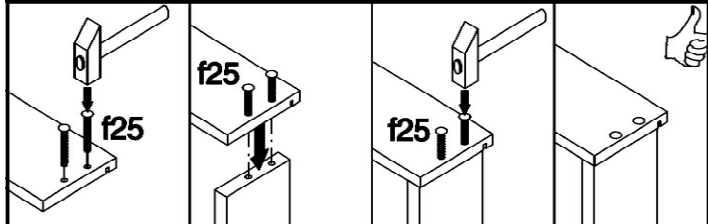
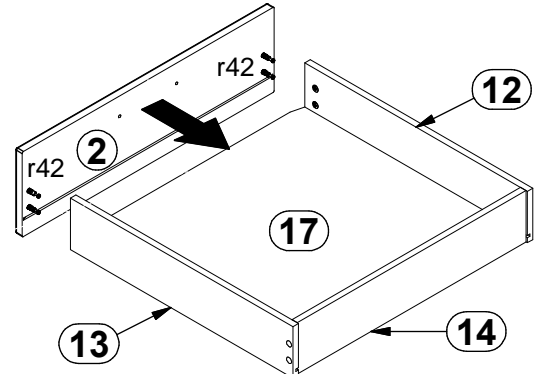
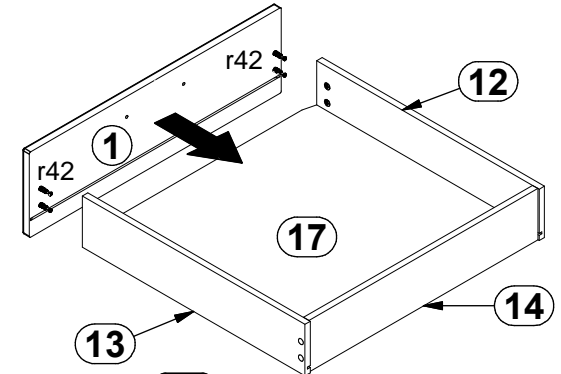
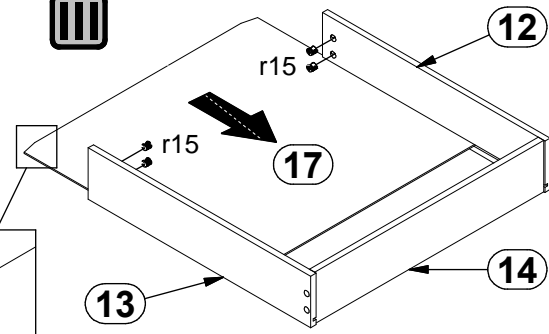
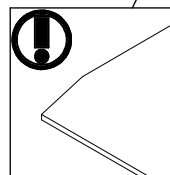
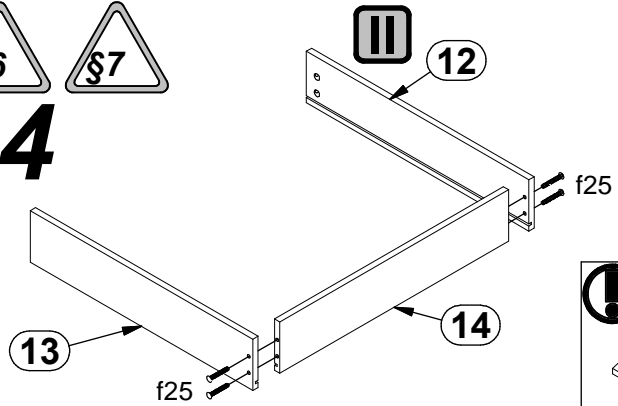


14



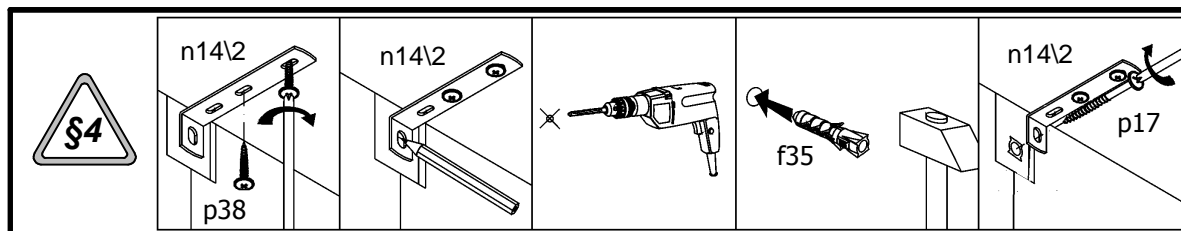
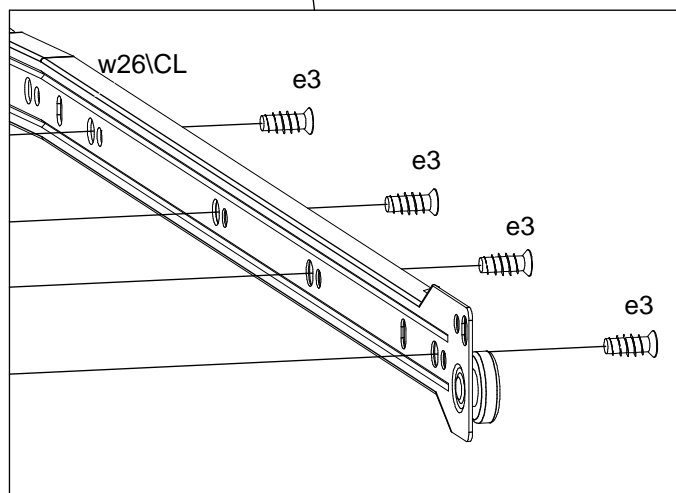
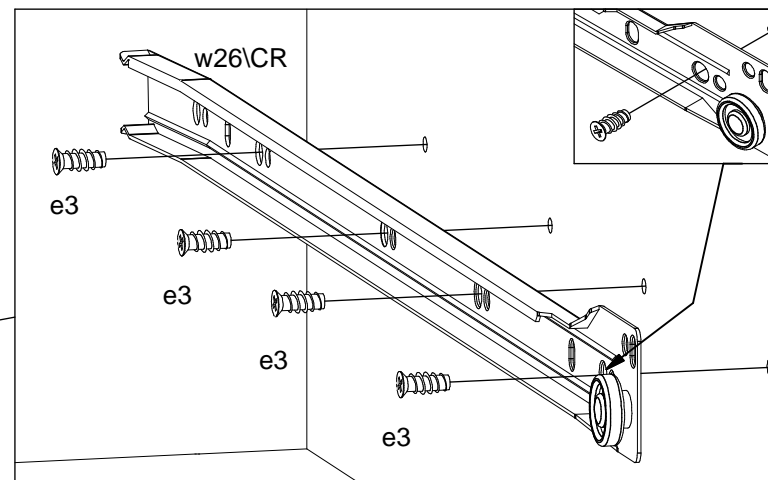
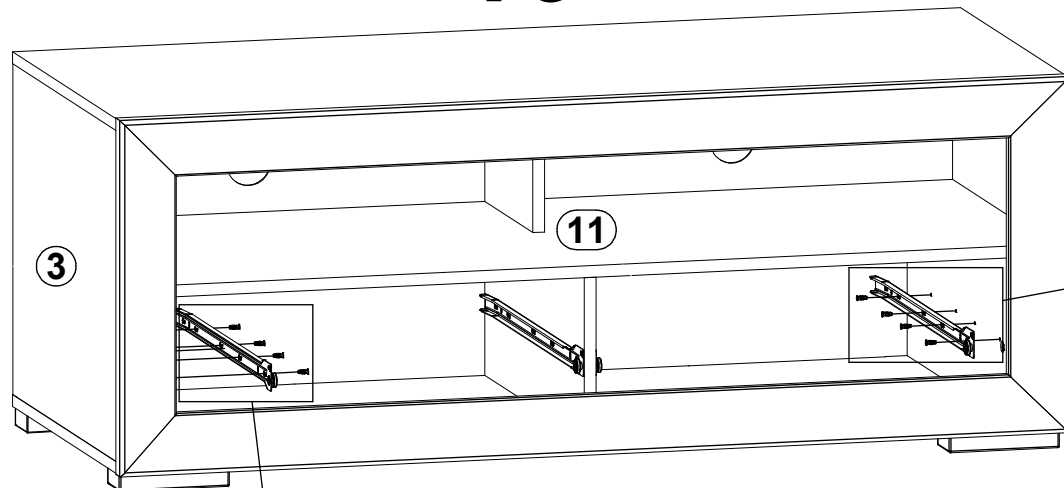


14





# 15



# 16

