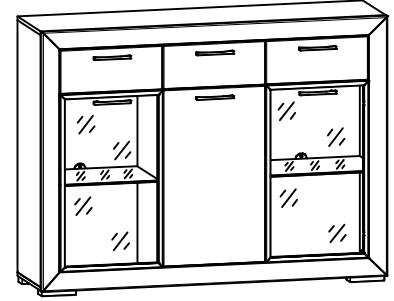
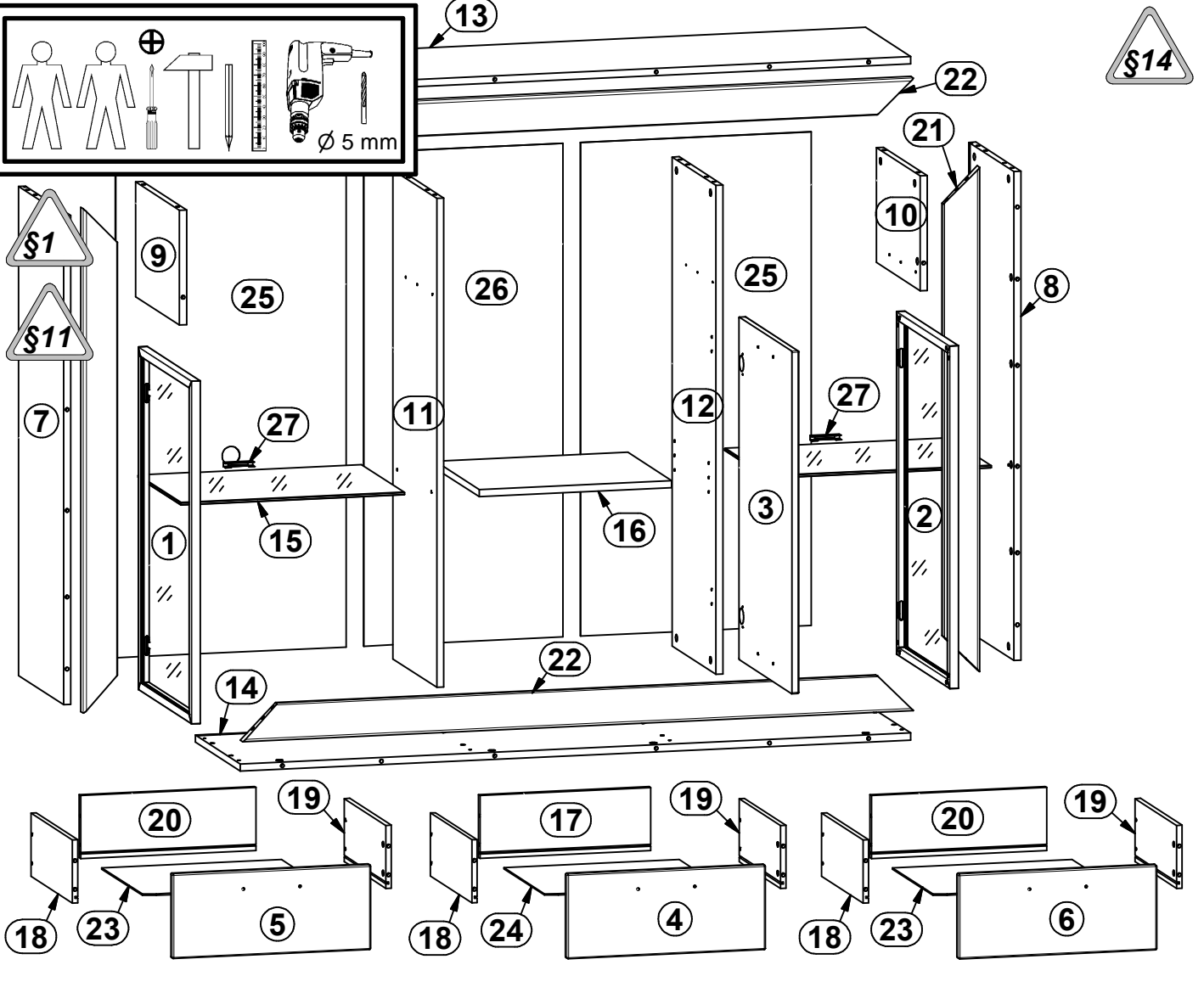
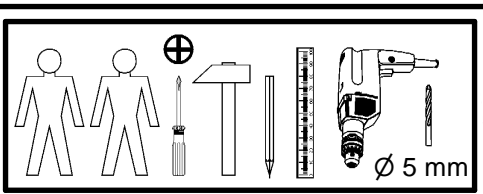


A	B	C	D	A	B	C	D		
1	S125-036	761	448	2/3	14	S125-217	1515	380	1/3
2	S125-037	761	448	2/3	15	S125-311	506	360	1/3
3	S125-038	761	448	2/3	16	S125-316	435	370	1/3
4	S125-040	448	188	2/3	17	S125-516	386	140	1/3
5	S125-041	448	188	2/3	18	S125-517	350	140	1/3
6	S125-042	448	188	2/3	19	S125-518	350	140	1/3
7	S125-131	1086	380	1/3	20	S125-519	396	140	1/3
8	S125-132	1086	380	1/3	21	S125-573	1120	80	3/3
9	S125-138	255	370	2/3	22	S125-574	1516	80	3/3
10	S125-139	255	370	2/3	23	S125-909	406	348	1/3
11	S125-141	1086	370	1/3	24	S125-914	396	348	1/3
12	S125-142	1086	370	1/3	25	S125-915	1096	521	2/3
13	S125-216	1515	380	1/3	26	S125-916	1096	450	2/3

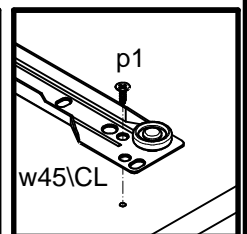
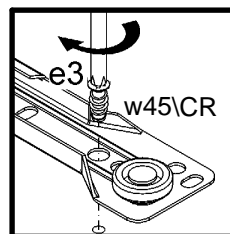
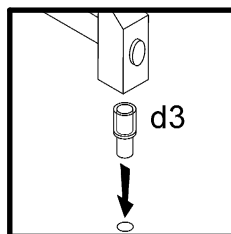
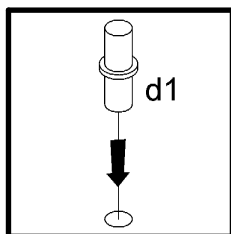
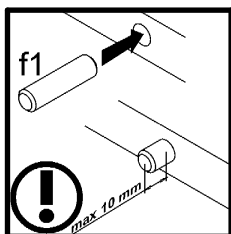
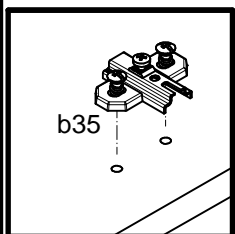
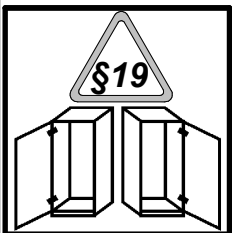
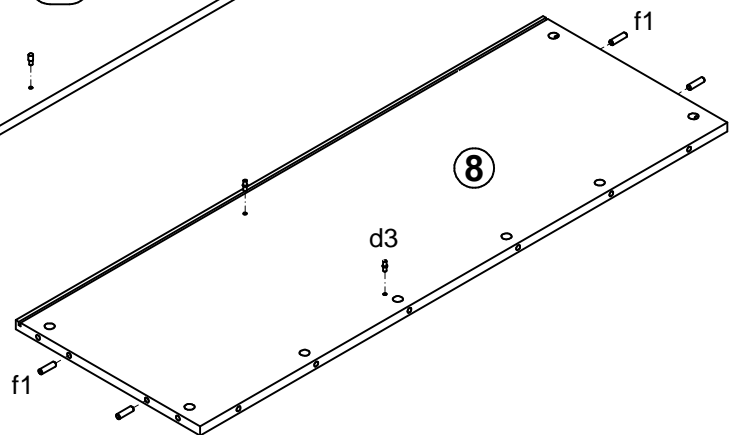
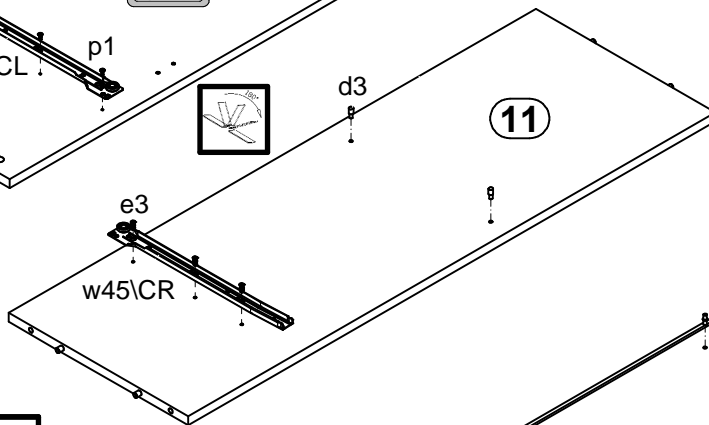
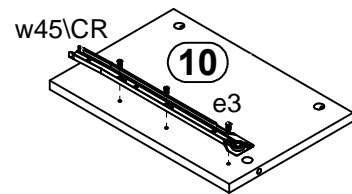
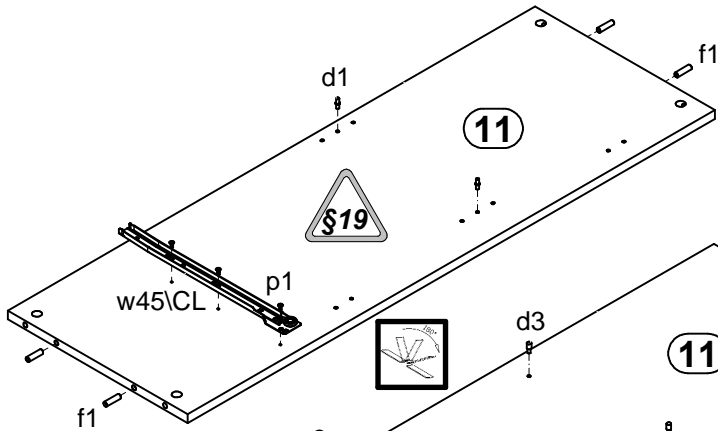
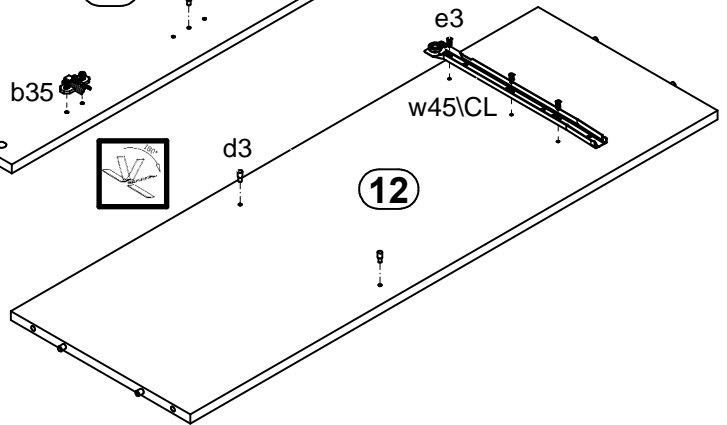
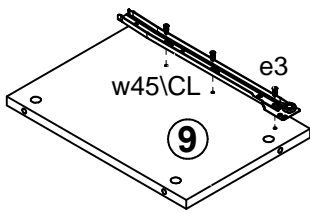
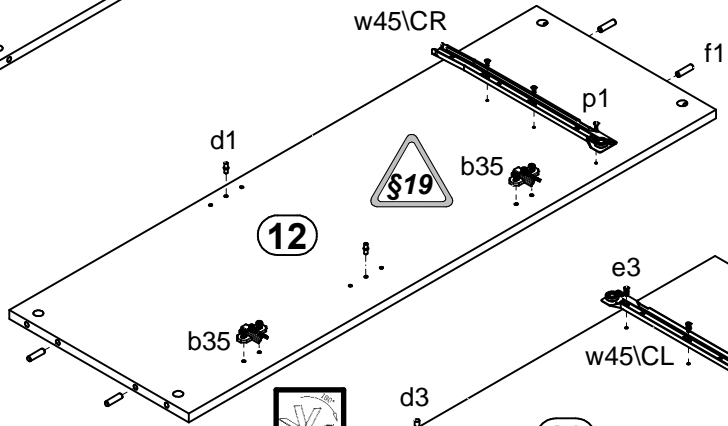
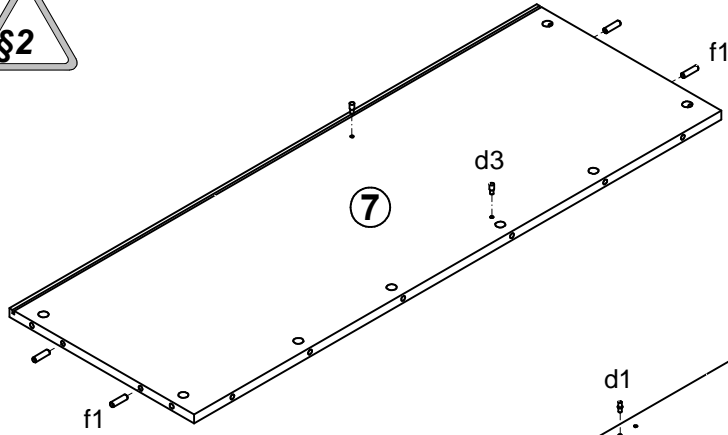


A	B	C	D
27	qa702	LED	1/1

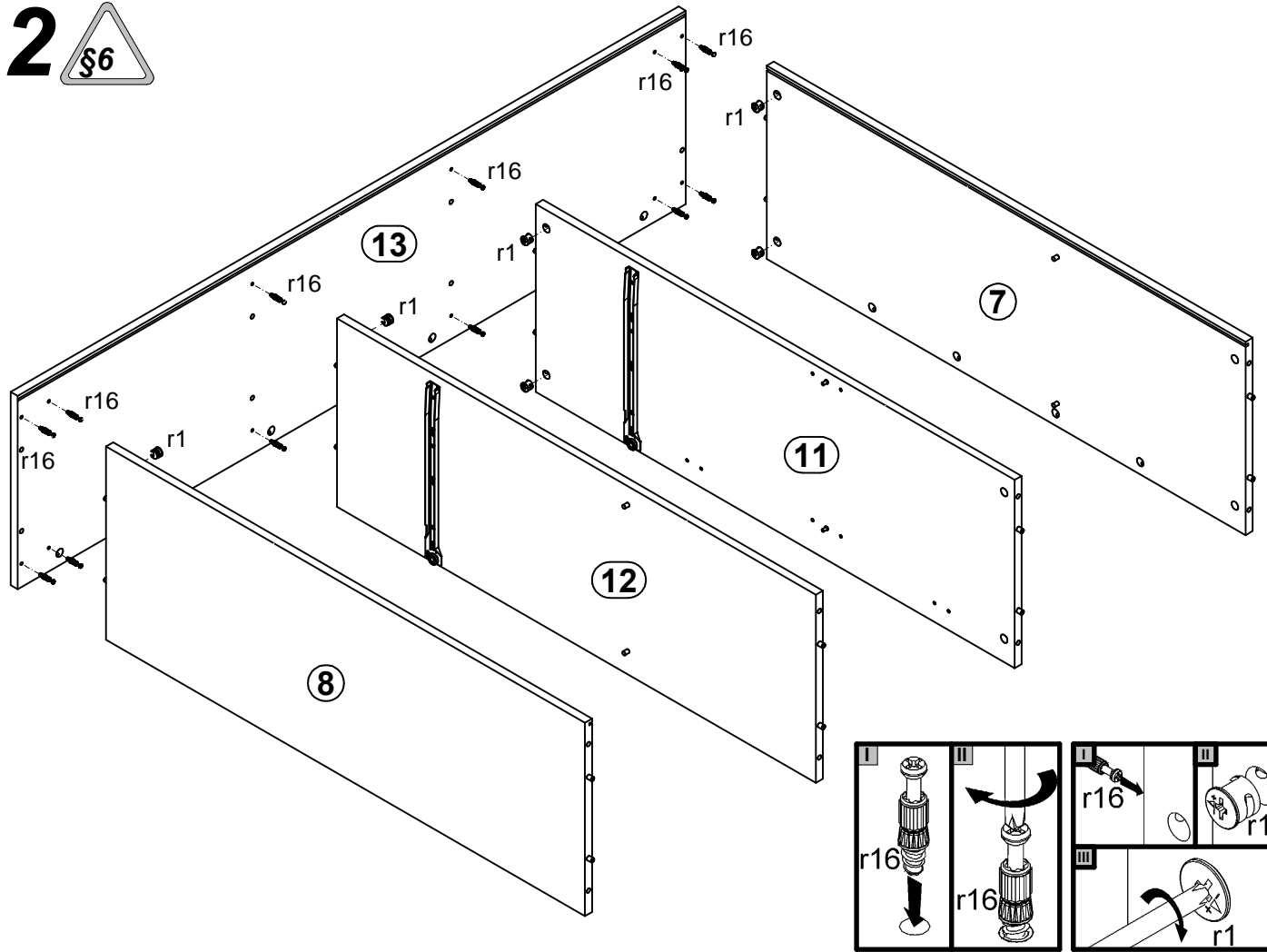


4x  a57	2x  a68	2x  b35	4x  b6	6x  c347	4x  d1	8x  d3	12x  e3	32x  f1
12x  f25	4x  j2	8x  j30	2x  k54	3x  k55	55x  l1	7x  o21	4x  o27	6x  p1
6x  p21	8x  p44	4x  p51	12x  p54	6x  p6	46x  r1	4x  r10	12x  r15	50x  r16
18x  s2	2x  s53	3x  w45\CL	3x  w45\CR	3x  w45\DL	3x  w45\DR	1x  n26\1	1x  p38	1x  z1

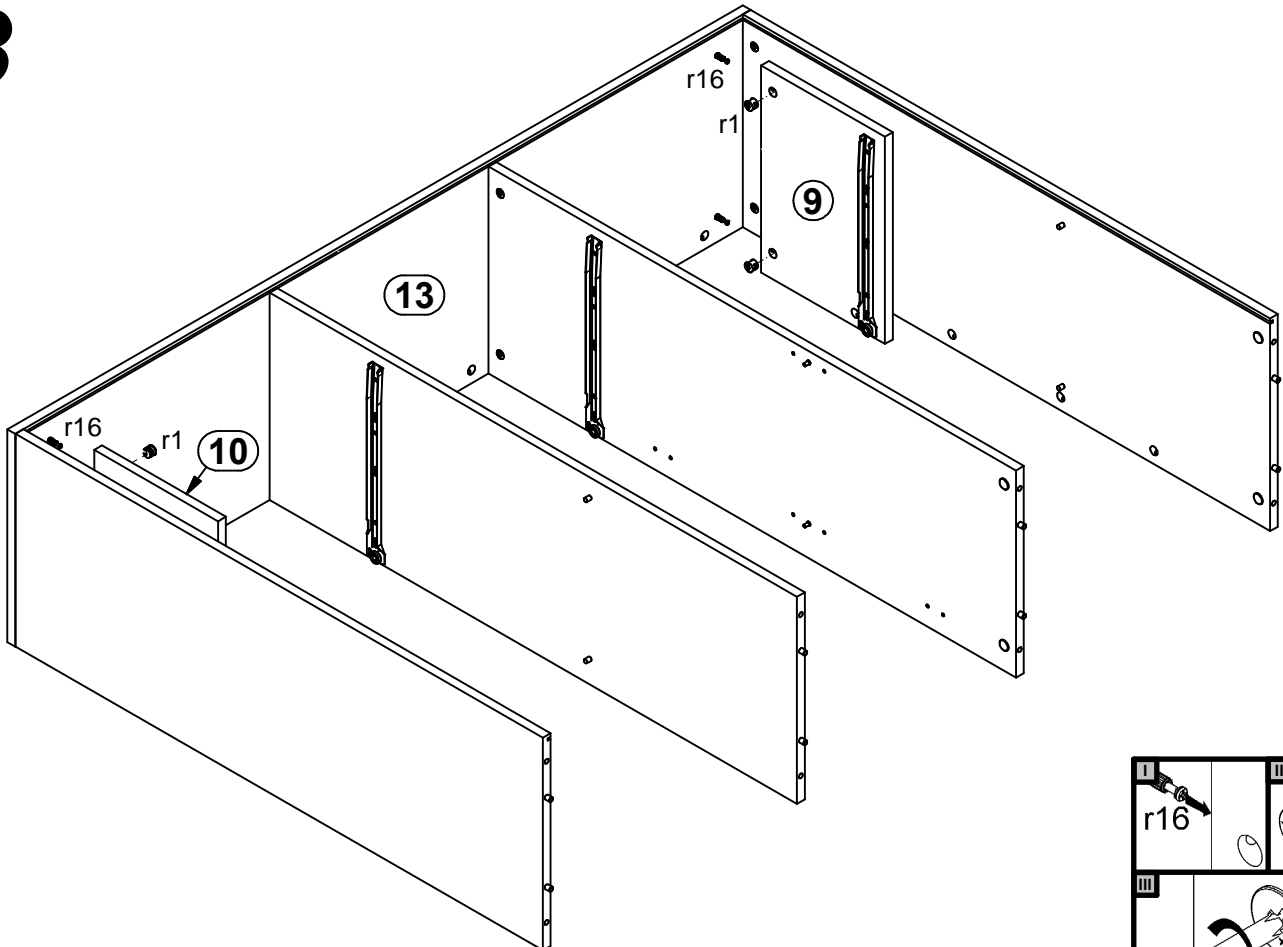
1 §2

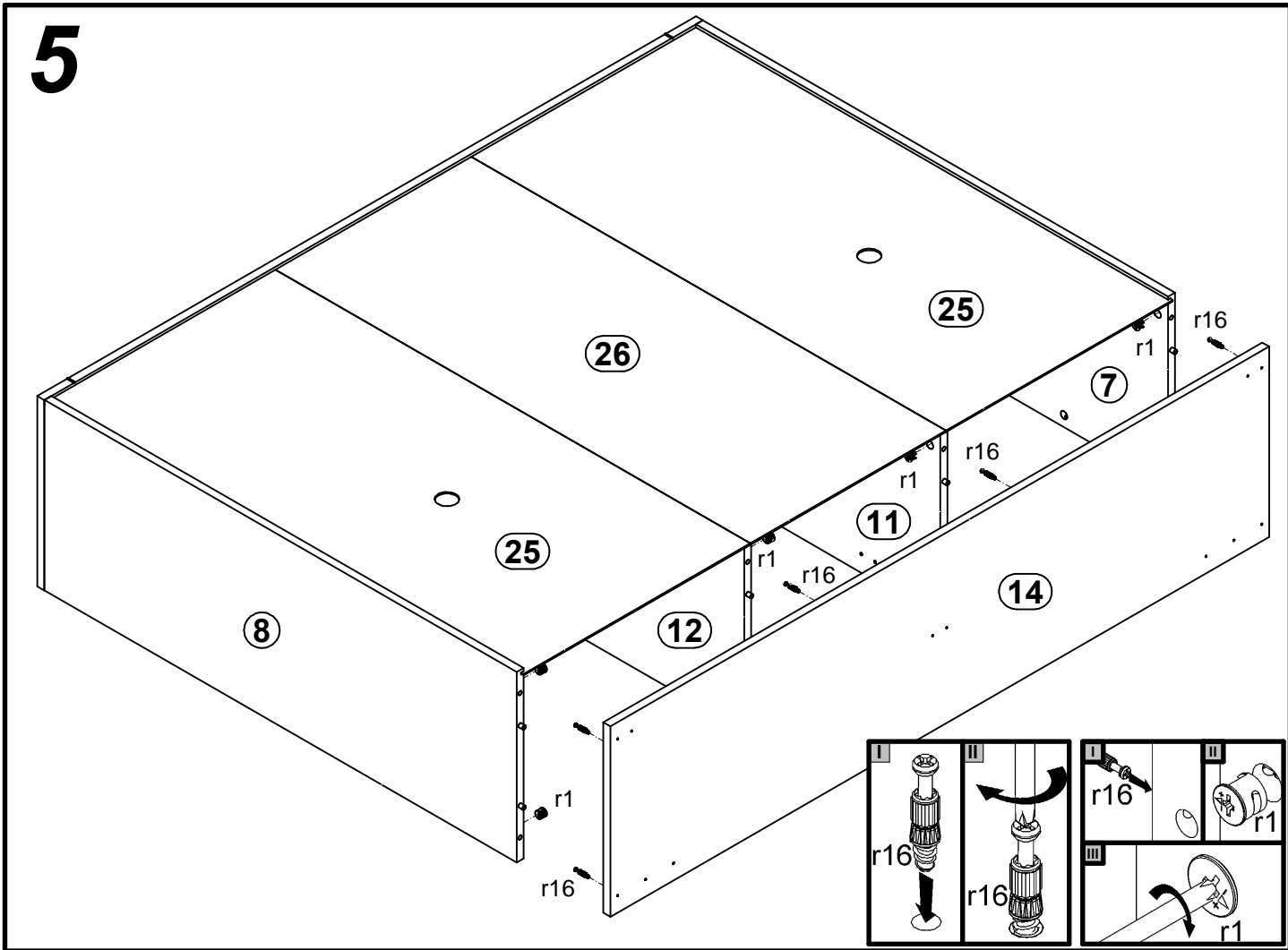
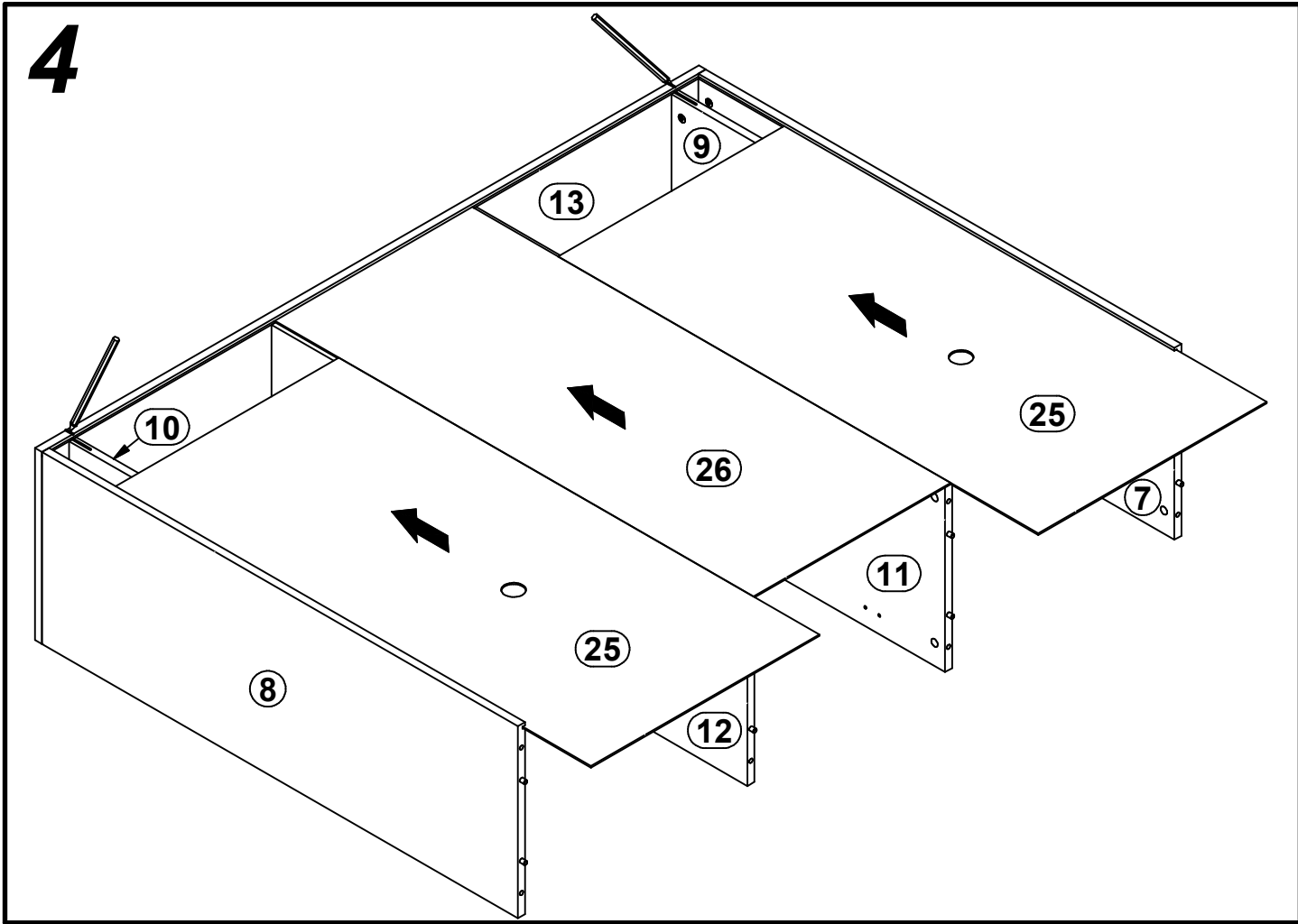


# 2

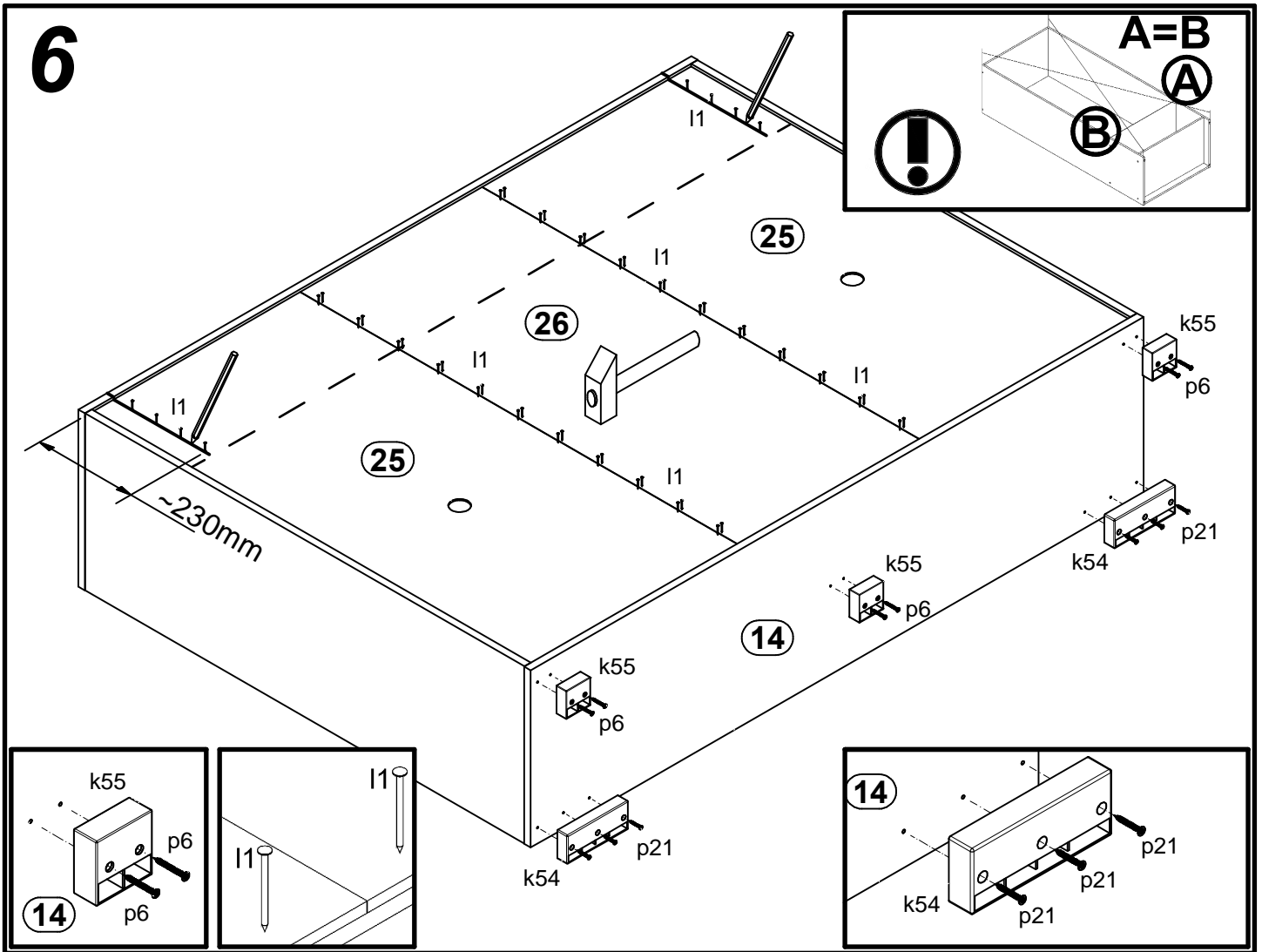


# 3

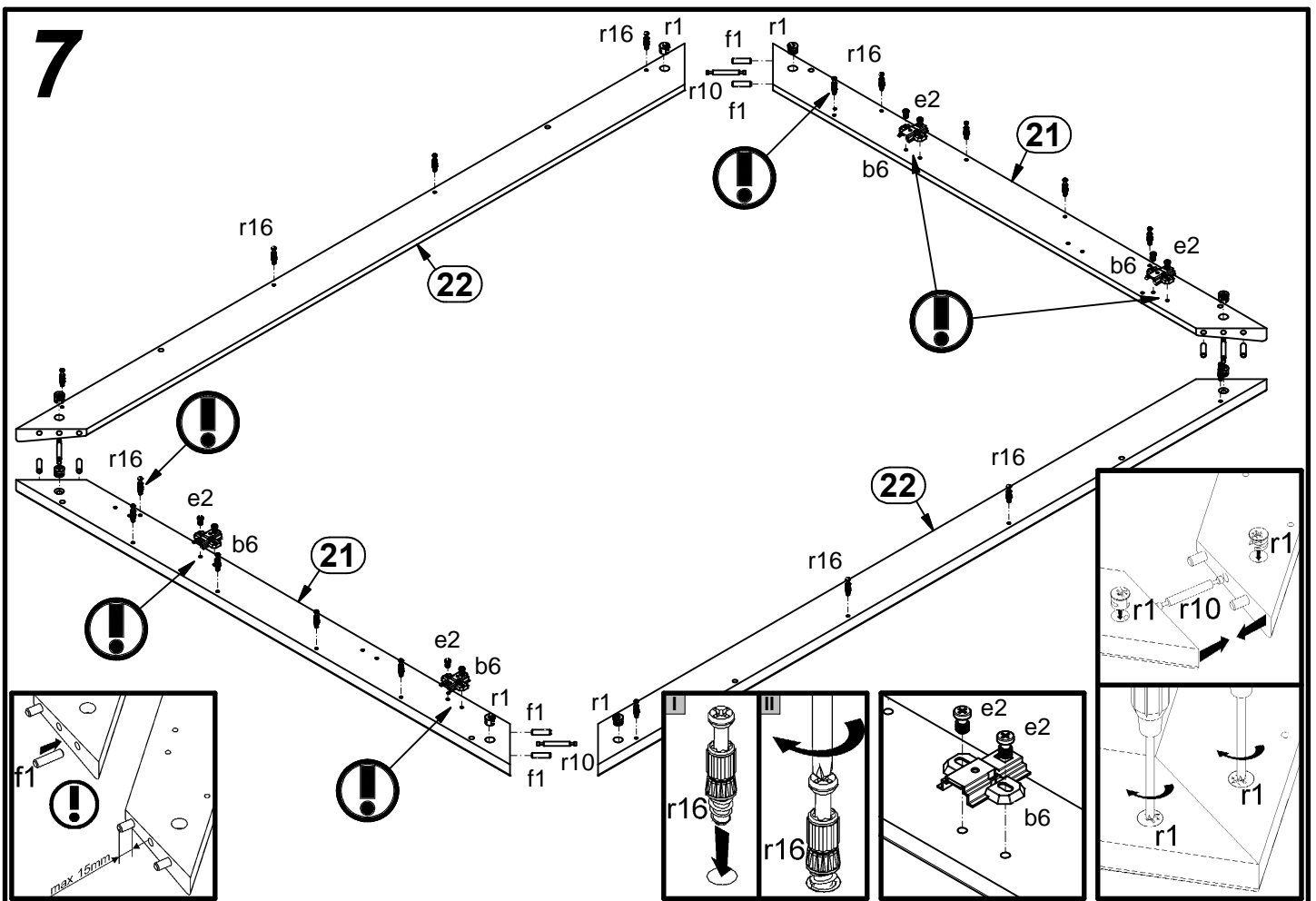


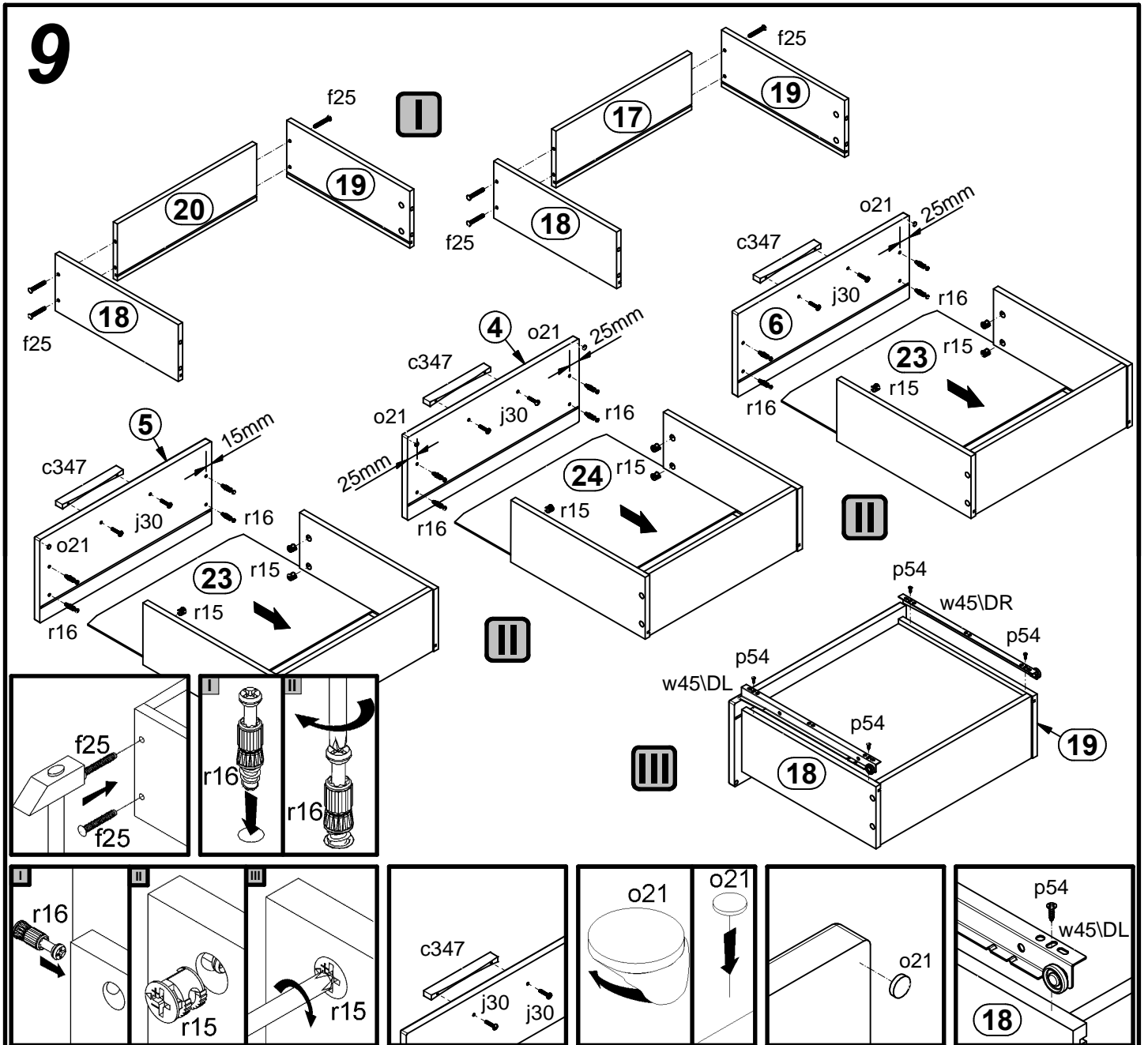
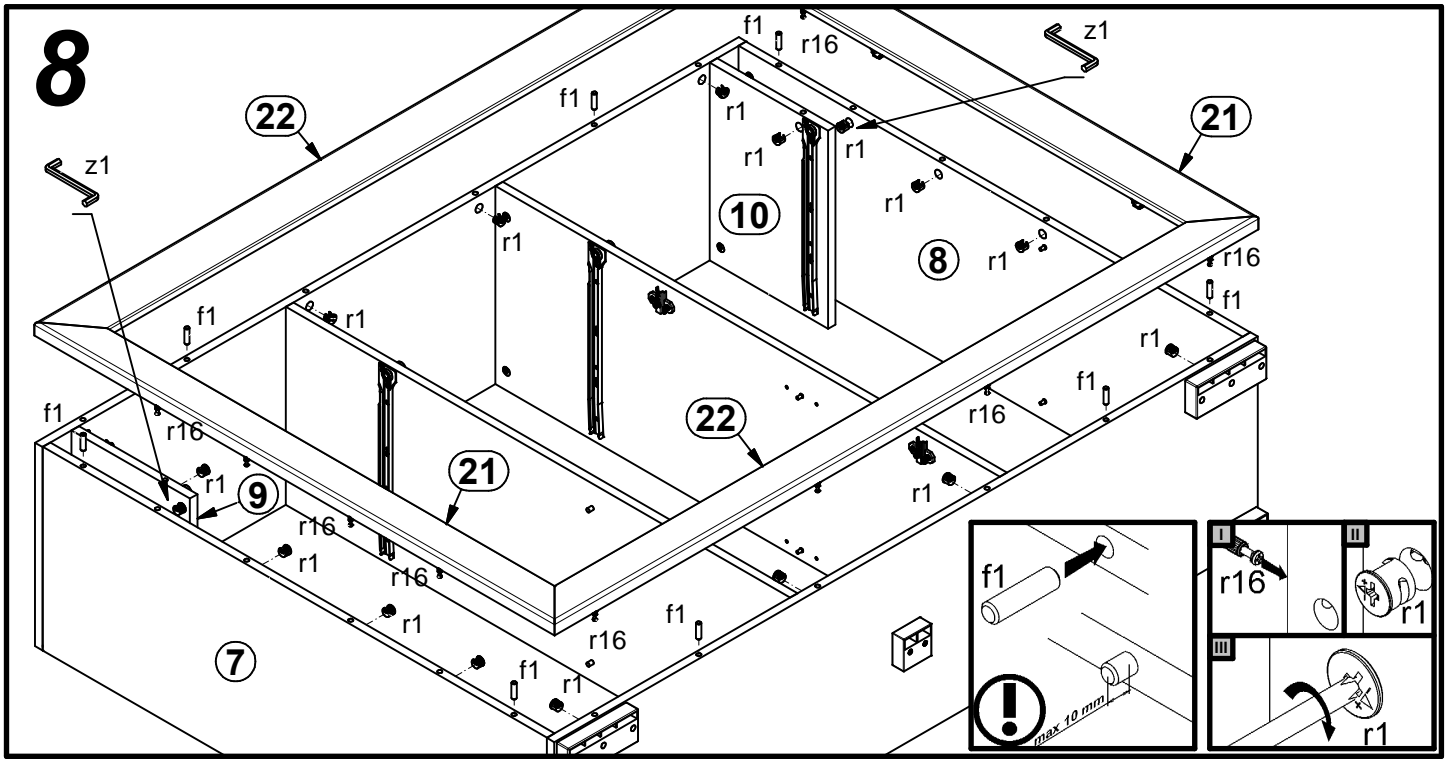


# 6



# 7





# 10

