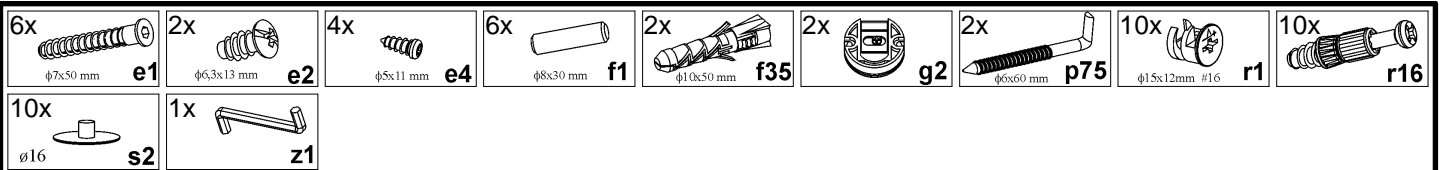
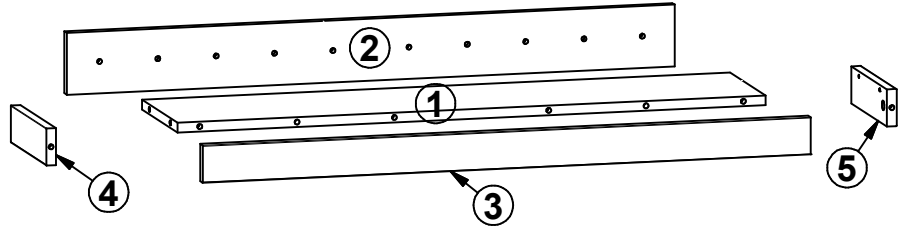
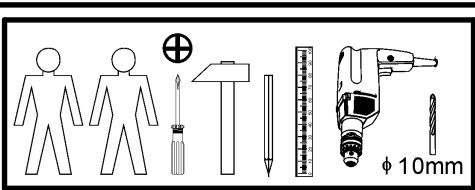
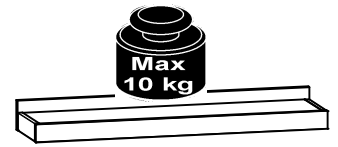


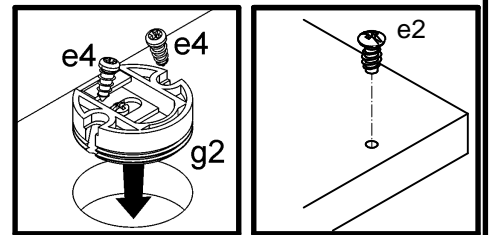
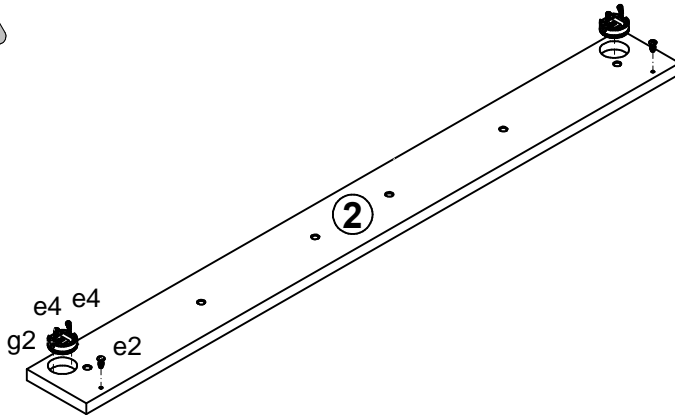
# TARS

S102-P/1/10

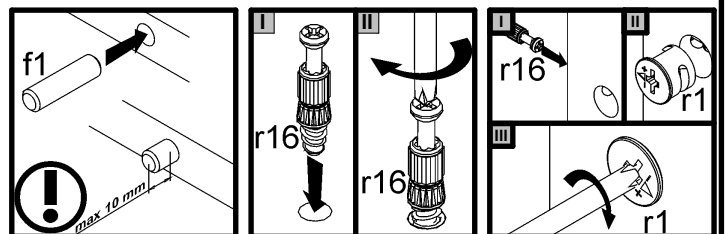
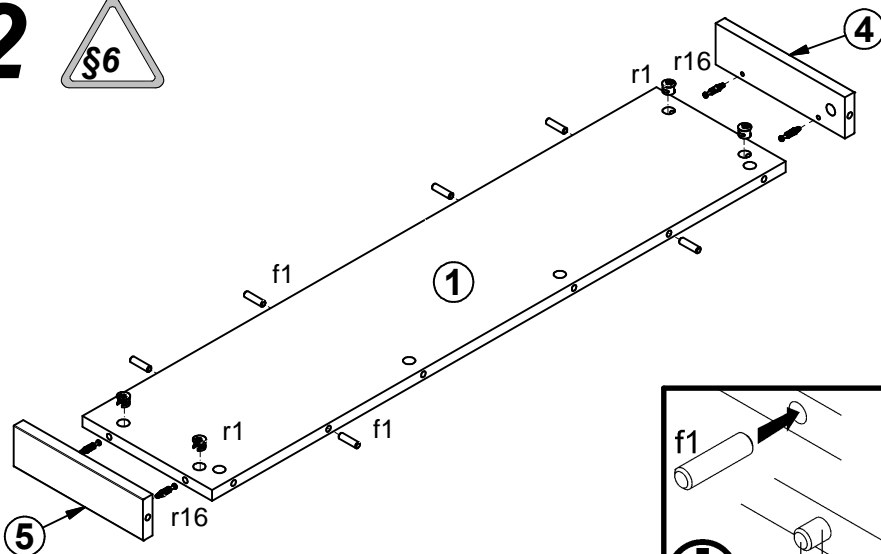
A	B	C	D	
1	S102-320	967	218	1/1
2	S102-401	1000	100	1/1
3	S102-565	1000	60	1/1
4	S102-566	218	60	1/1
5	S102-567	218	60	1/1



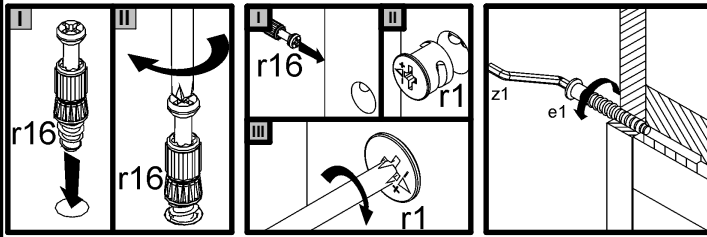
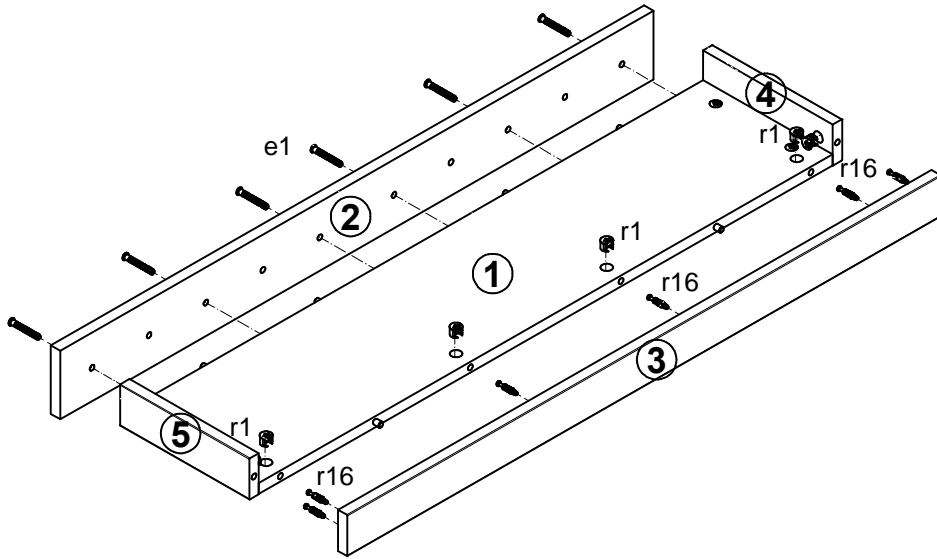
## 1



## 2



# 3



# 4

