





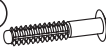








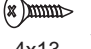






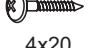




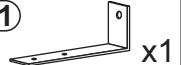


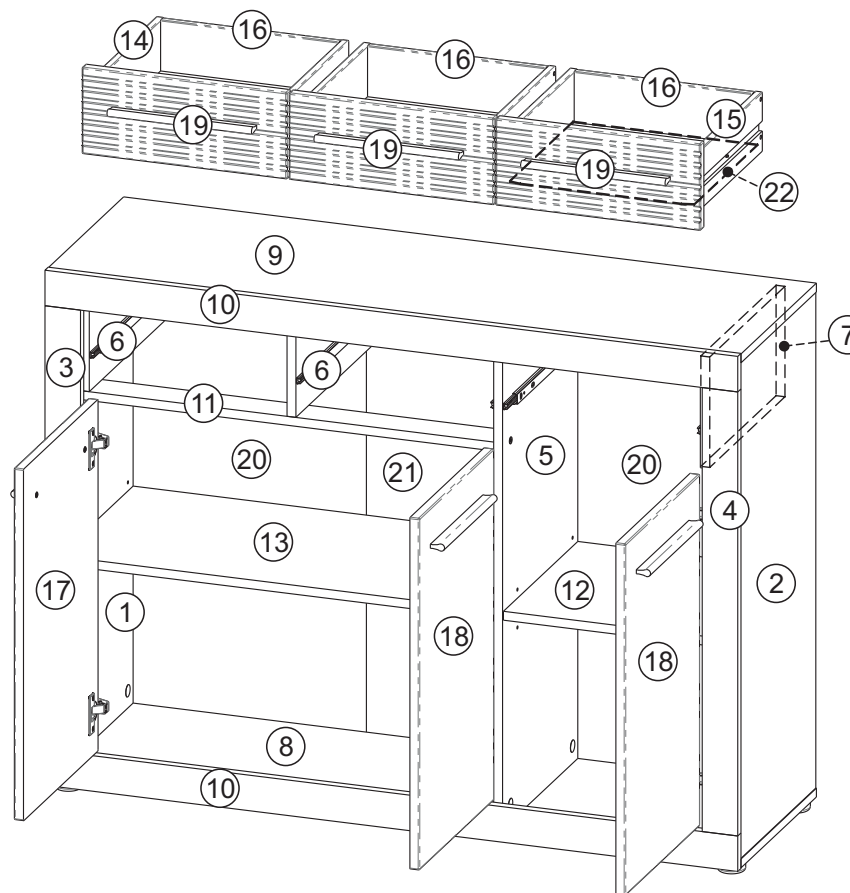


<b>B1</b>		φ 8x28 x54
<b>T1</b>		x24
<b>M1</b>		x18
<b>M12</b>		x6
<b>C2</b>		φ 20 x6
<b>W1</b>		x8
<b>B4</b>		x12
<b>F1</b>		x5
<b>P2</b>		3x16 x5
<b>J23</b>		x16
<b>K1</b>		7x50 x3

<b>Z25</b>		x4
<b>D4</b>		x4
<b>Z2</b>		KR8 x2
<b>D3</b>		x2
<b>S8</b>		4x13 x12
<b>E1</b>		6,3x13 x4
<b>R1</b>		246 x6
<b>E4</b>		6,0x8 x12
<b>A1</b>		M4x9 x6
<b>L1</b>		x1

<b>F16</b>		x6
<b>P17</b>		4x20 x6
<b>U90</b>		x6
<b>P5</b>		4x30 x12
<b>L21</b>		x10
<b>P13</b>		3,5x13 x40
<b>J11</b>		x1
<b>T17</b>		φ8x50 x1
<b>P13</b>		3,5x13 x2

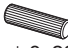


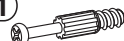




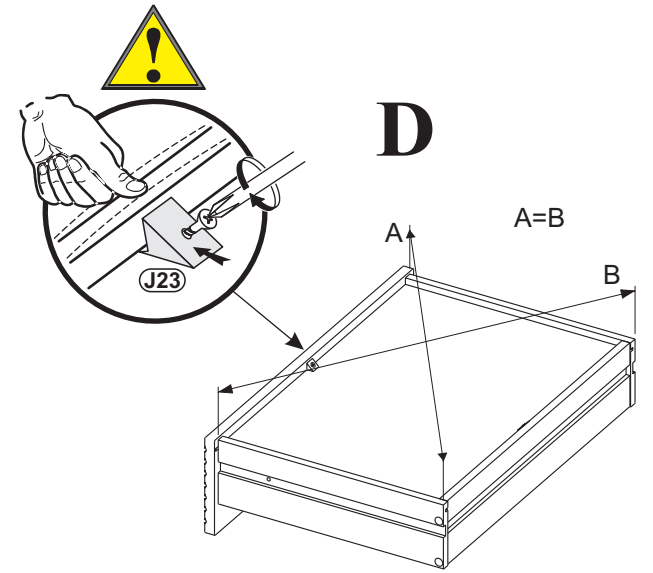
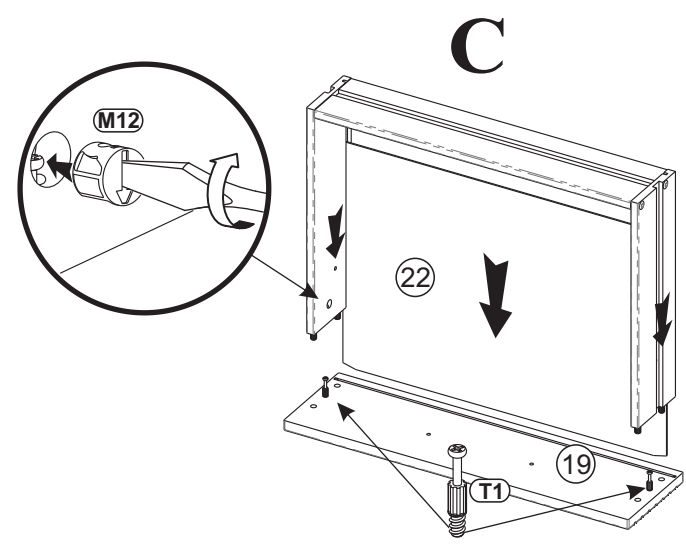
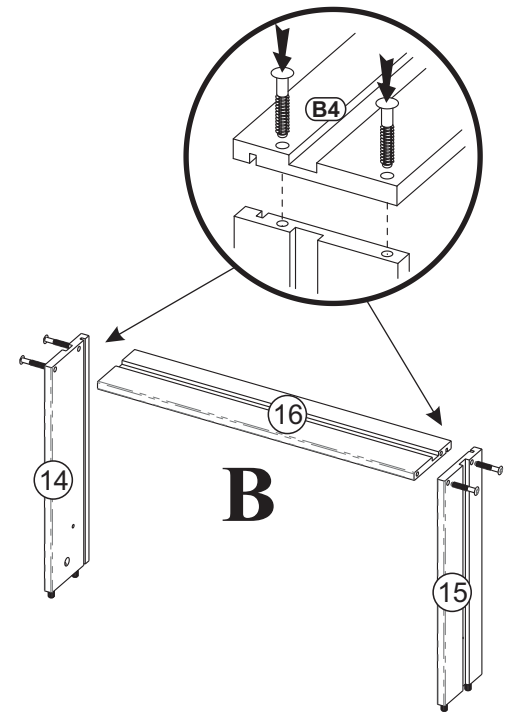
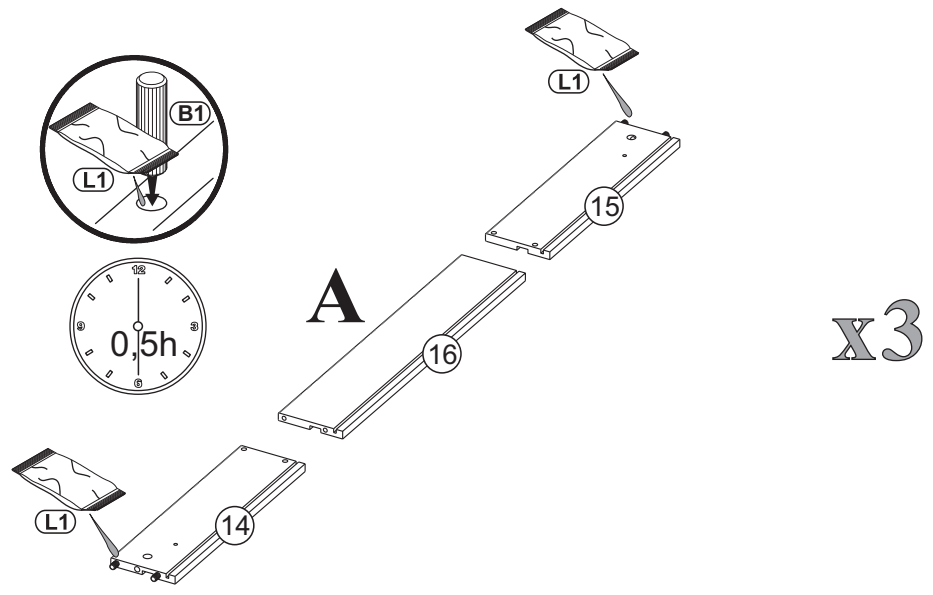
č.	rozměry/rozmary	ks	č.bal.
1	838 350 15	1	2
2	838 350 15	1	2
3	750 60 15	1	1
4	750 60 15	1	1
5	838 329 15	1	2
6	186 329 15	2	2
7	186 329 15	1	2
8	1170 350 15	1	2
9	1170 350 15	1	2
10	1170 60 15	2	2
11	736 60 15	1	1
12	387 325 15	1	2
13	736 325 15	1	2
14	300 100 12	3	2
15	300 100 12	3	2
16	301 100 12	3	2
17	346 594 16	1	1
18	346 594 16	2	1
19	346 146 16	3	1
20	852 400 2	2	1
21	852 349 2	1	1
22	312 299 2	3	2

0 10 20 30 40 50 60 70 80 90 100 110 120 130 140 150 160 170 180 190 200








1


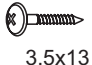
- B1**   $\phi 8 \times 28$  x12
- L1**  x1
- M12**  x8
- T1**  x6
- B4**  x12
- J23**  x6




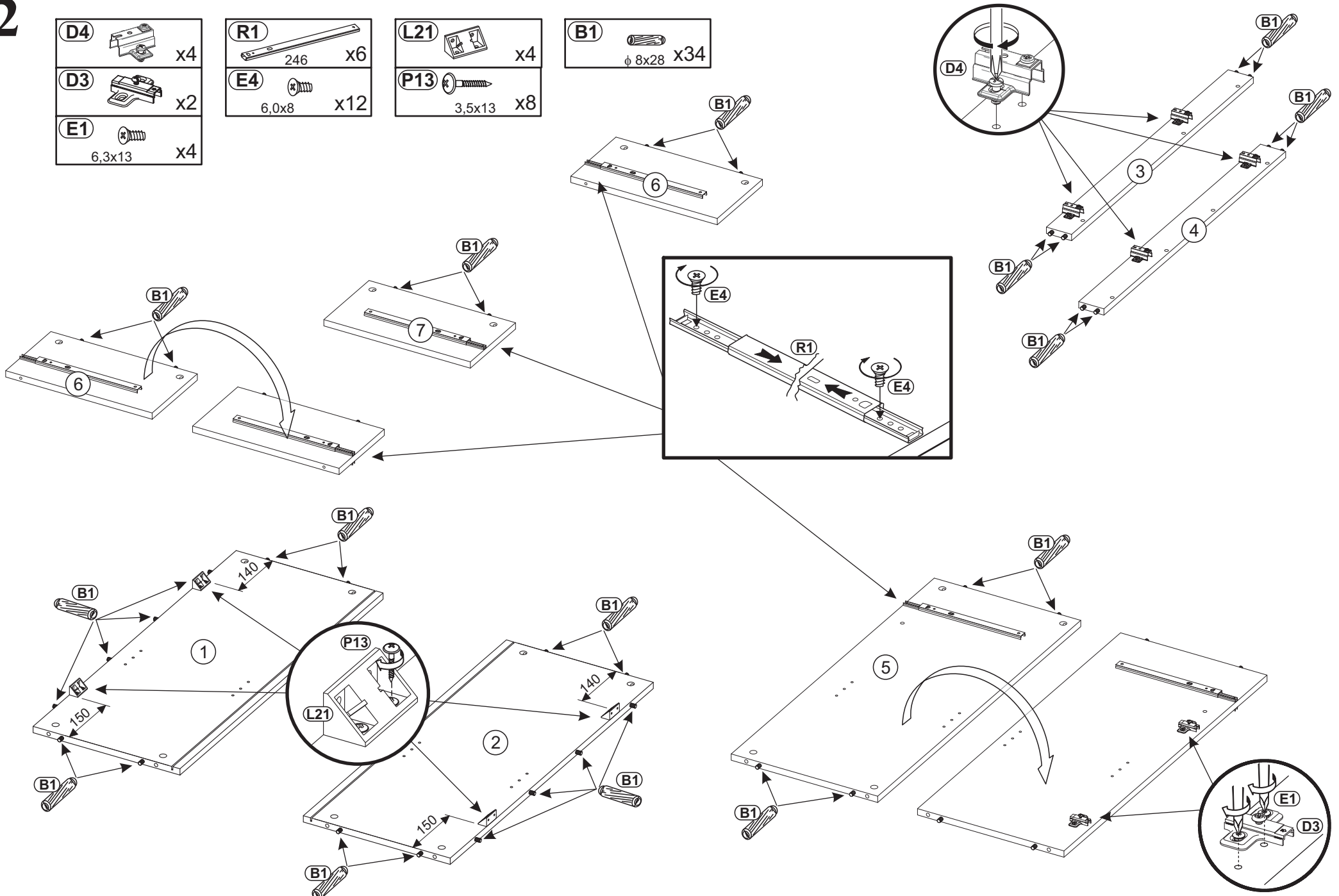
2

<b>D4</b>		x4
<b>D3</b>		x2
<b>E1</b>		x4

<b>R1</b>		x6
<b>E4</b>		x12

<b>L21</b>		x4
<b>P13</b>		x8

<b>B1</b>		x34
-----------	---	-----



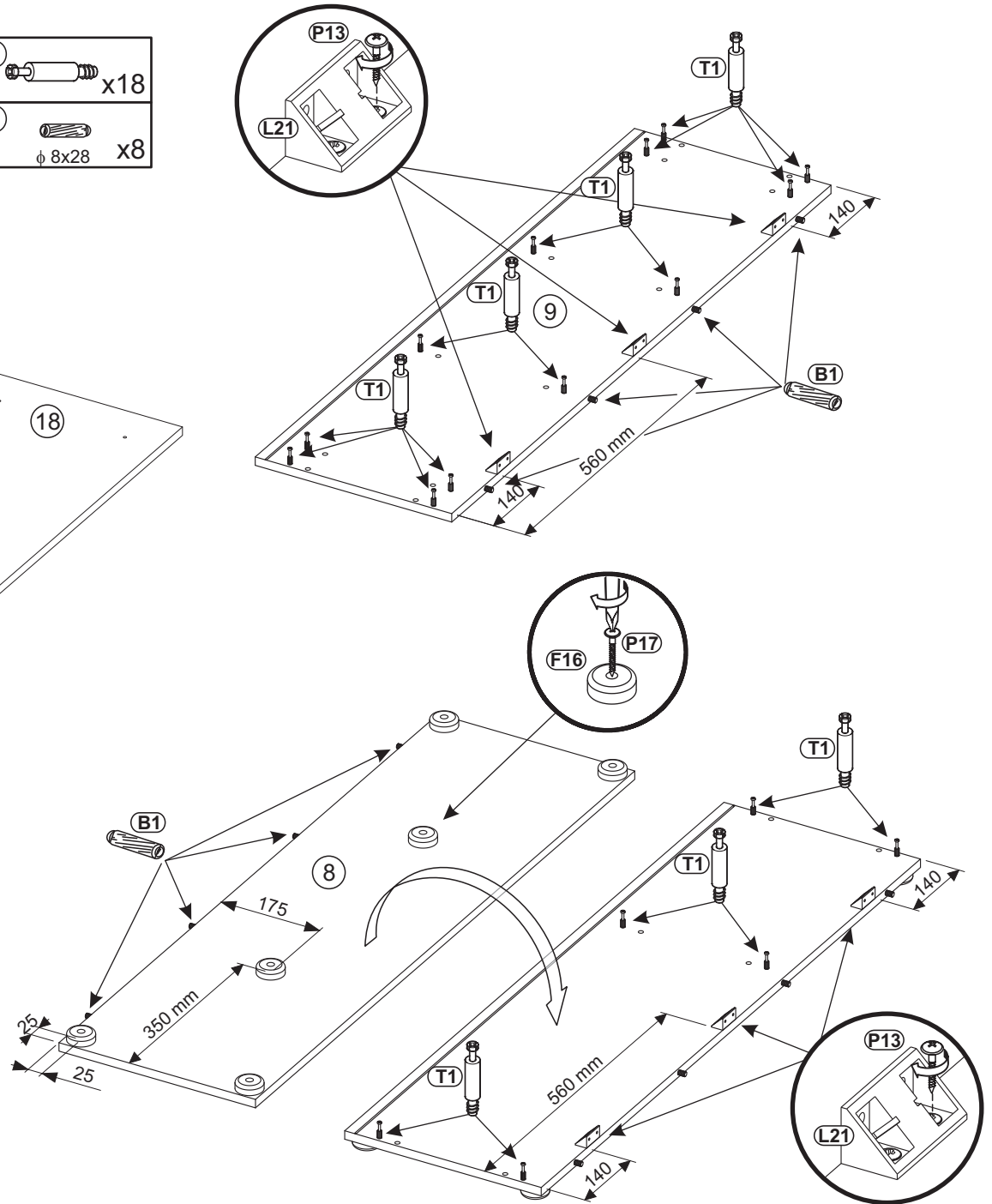
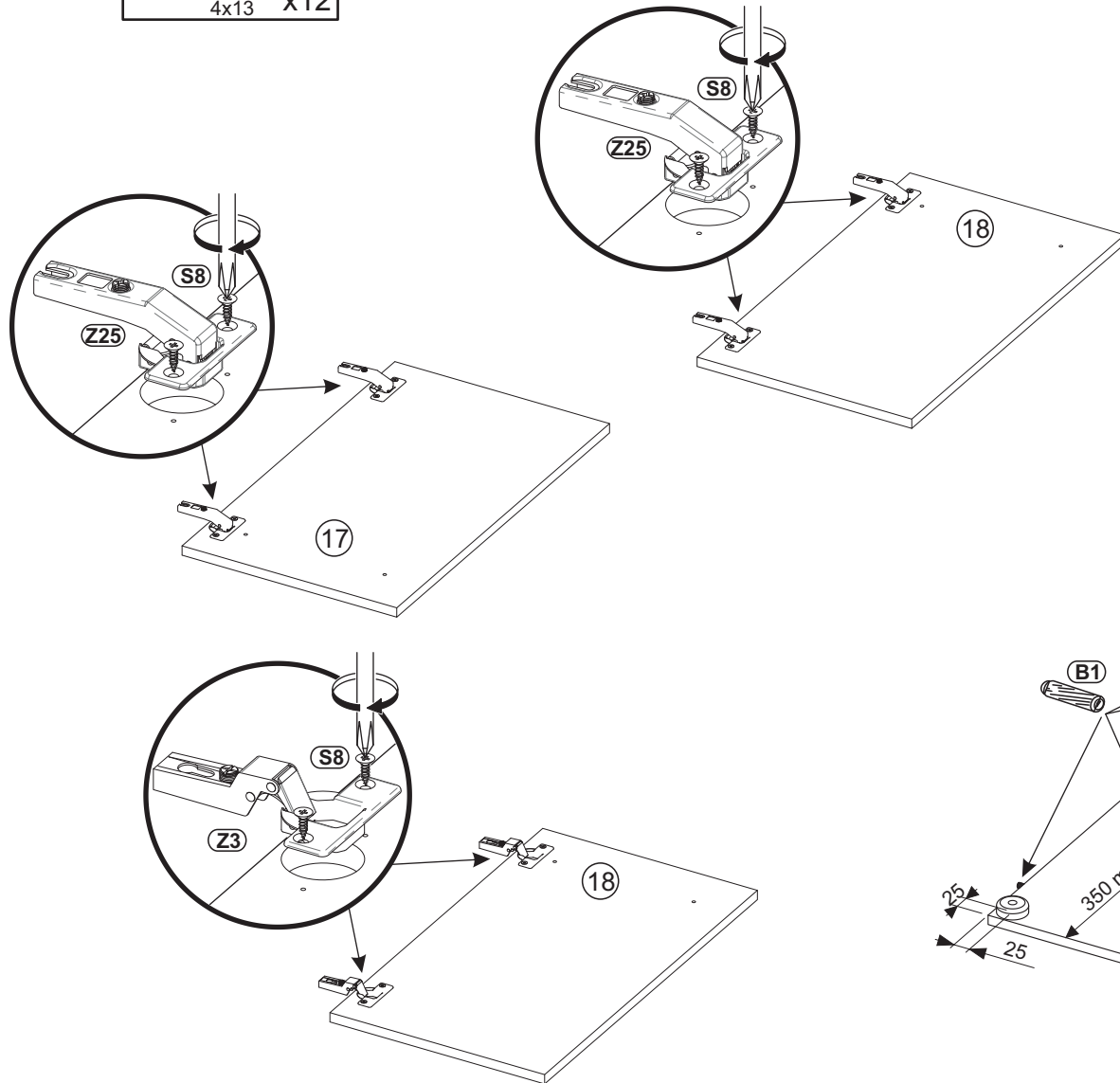
3

<b>Z25</b>		x4
<b>Z2</b>		x2
<b>S8</b>		4x13 x12

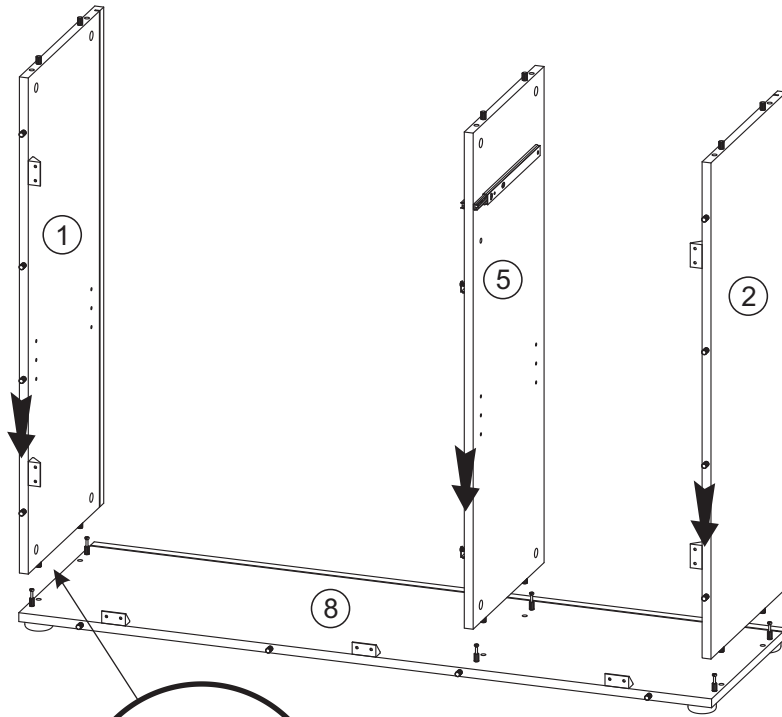
<b>F16</b>		x6
<b>P17</b>		4x20 x6

<b>L21</b>		x6
<b>P13</b>		3,5x13 x12

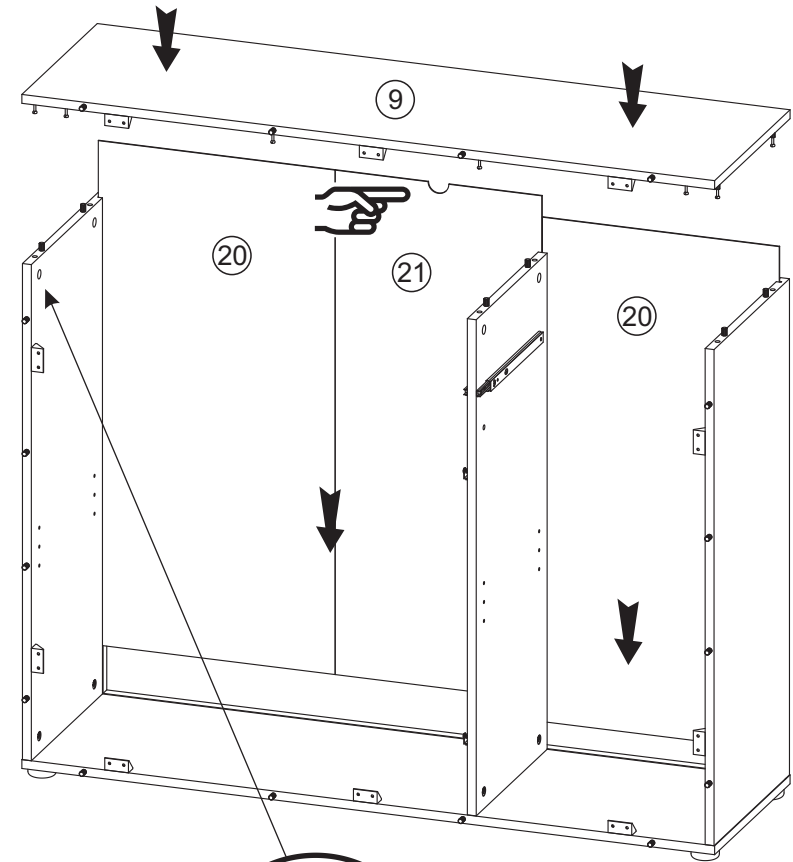
<b>T1</b>		x18
<b>B1</b>		φ 8x28 x8



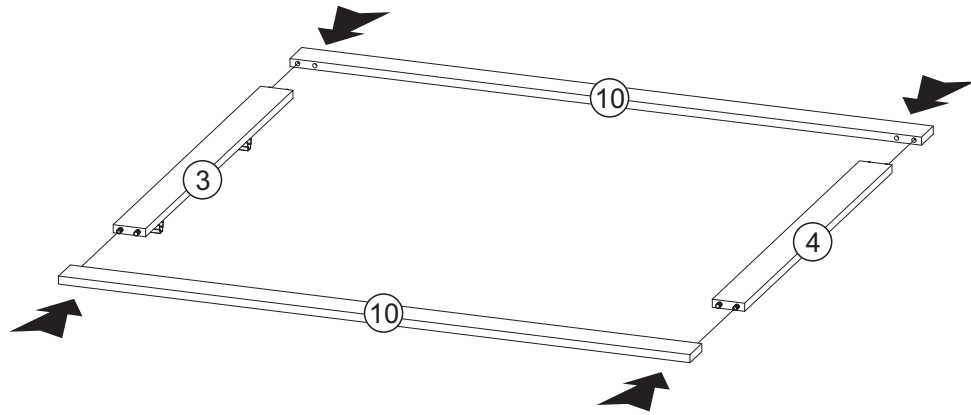
4



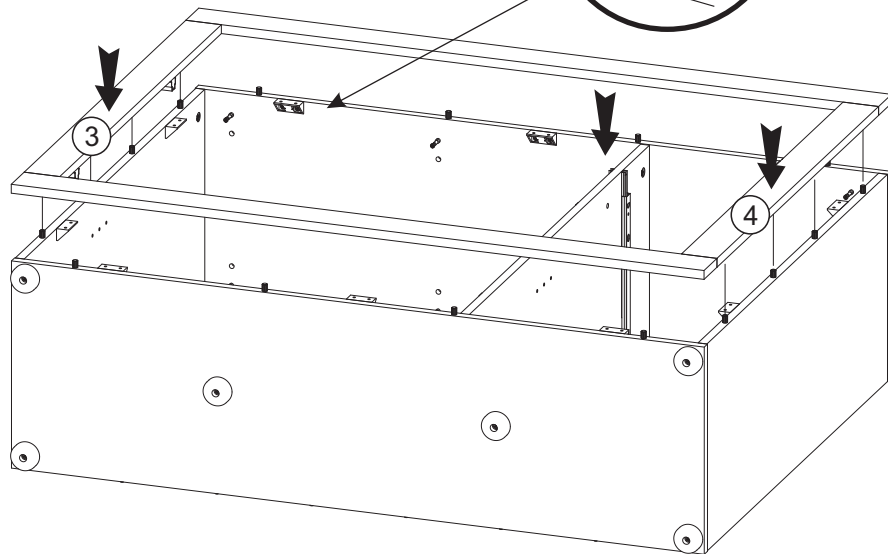
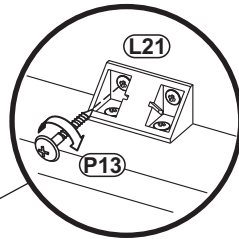
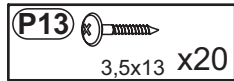
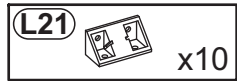
5



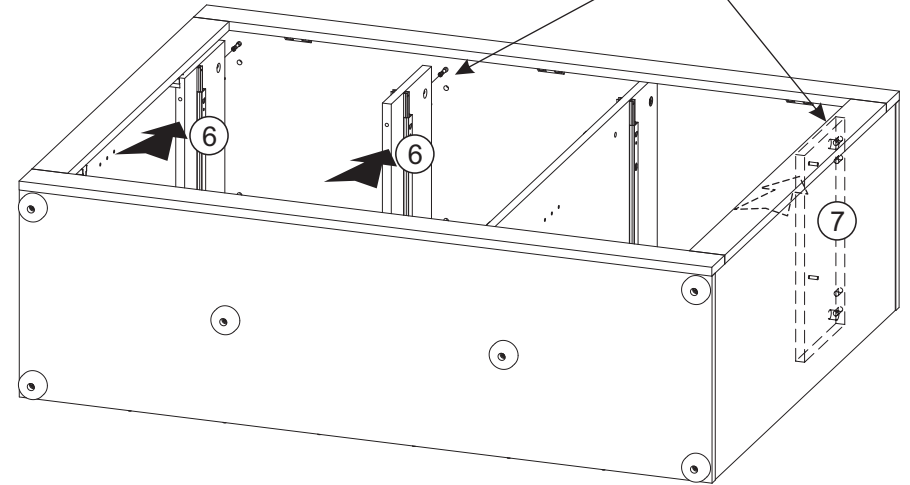
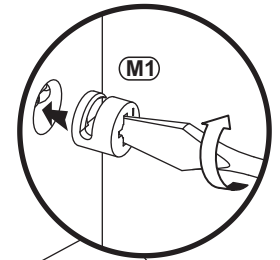
6



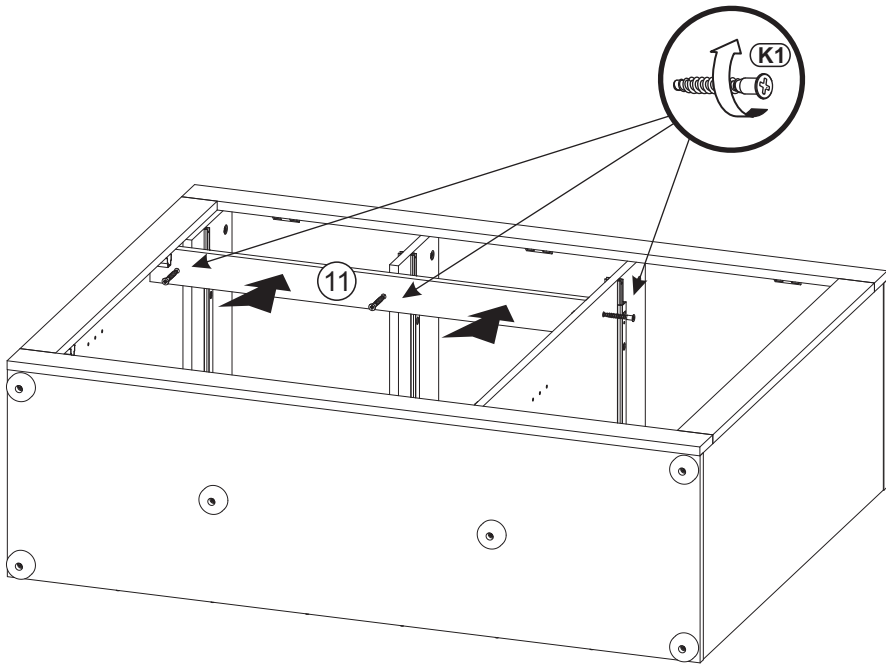
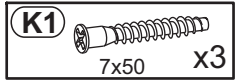
7



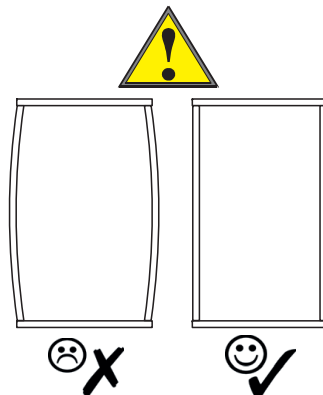
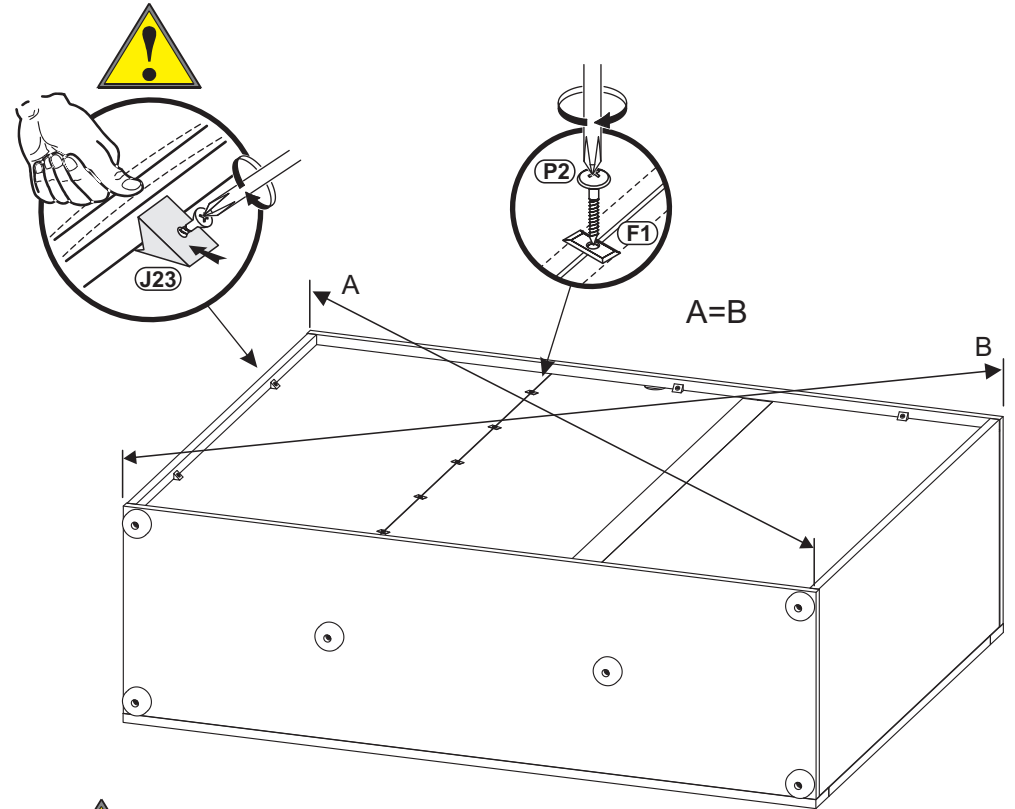
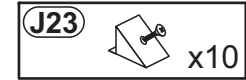
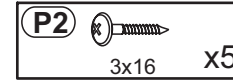
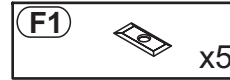
8



9



10





11

