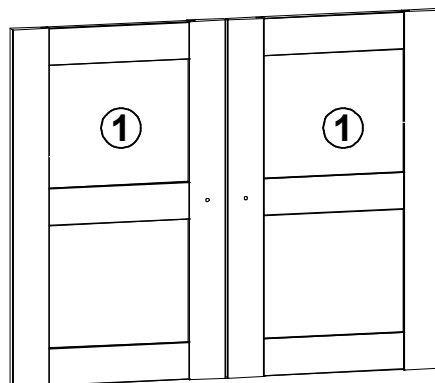
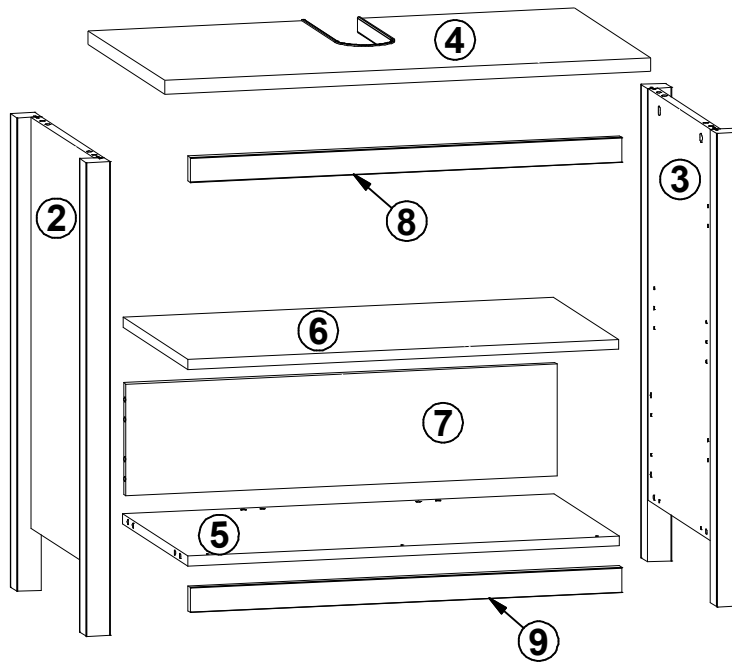
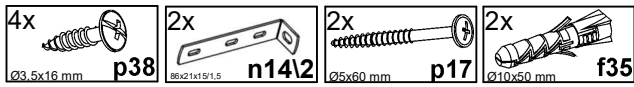


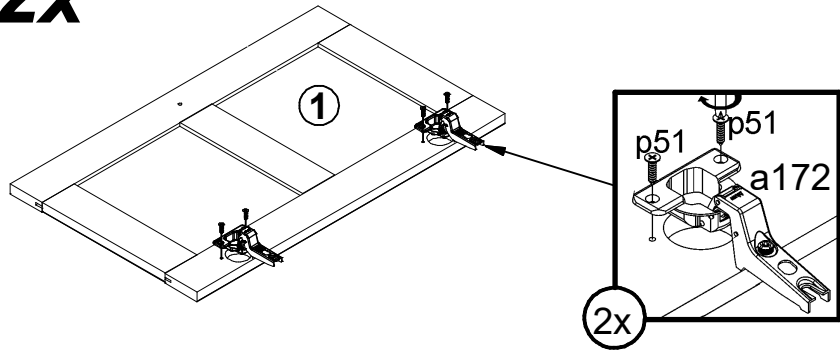
A	B	C1	C2	C3	D
1	S562-0001	577	350	16	1/1
2	S562-1005	763	465	40	1/1
3	S562-1006	763	465	40	1/1
4	S562-2003	799	470	26	1/1
5	S562-3004	709	400	16	1/1
6	S562-3005	708	400	16	1/1
7	S562-4004	709	180	16	1/1
8	S562-5019	709	40	16	1/1
9	S562-5020	709	40	16	1/1



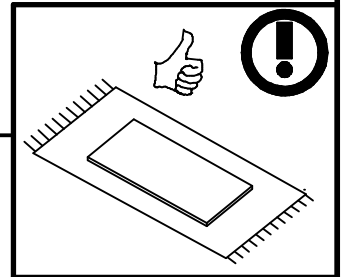
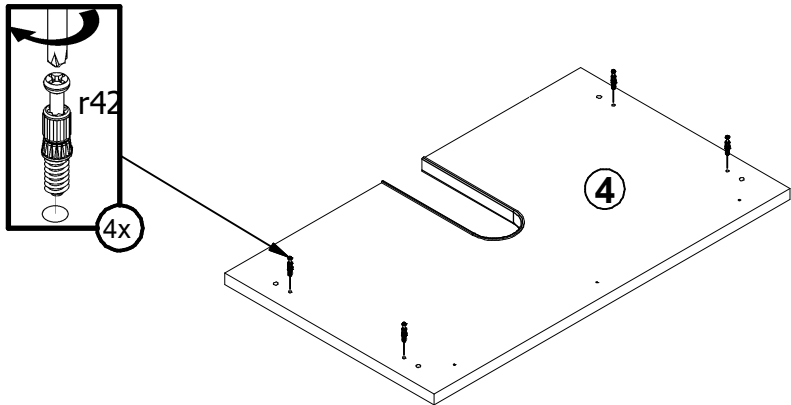
1



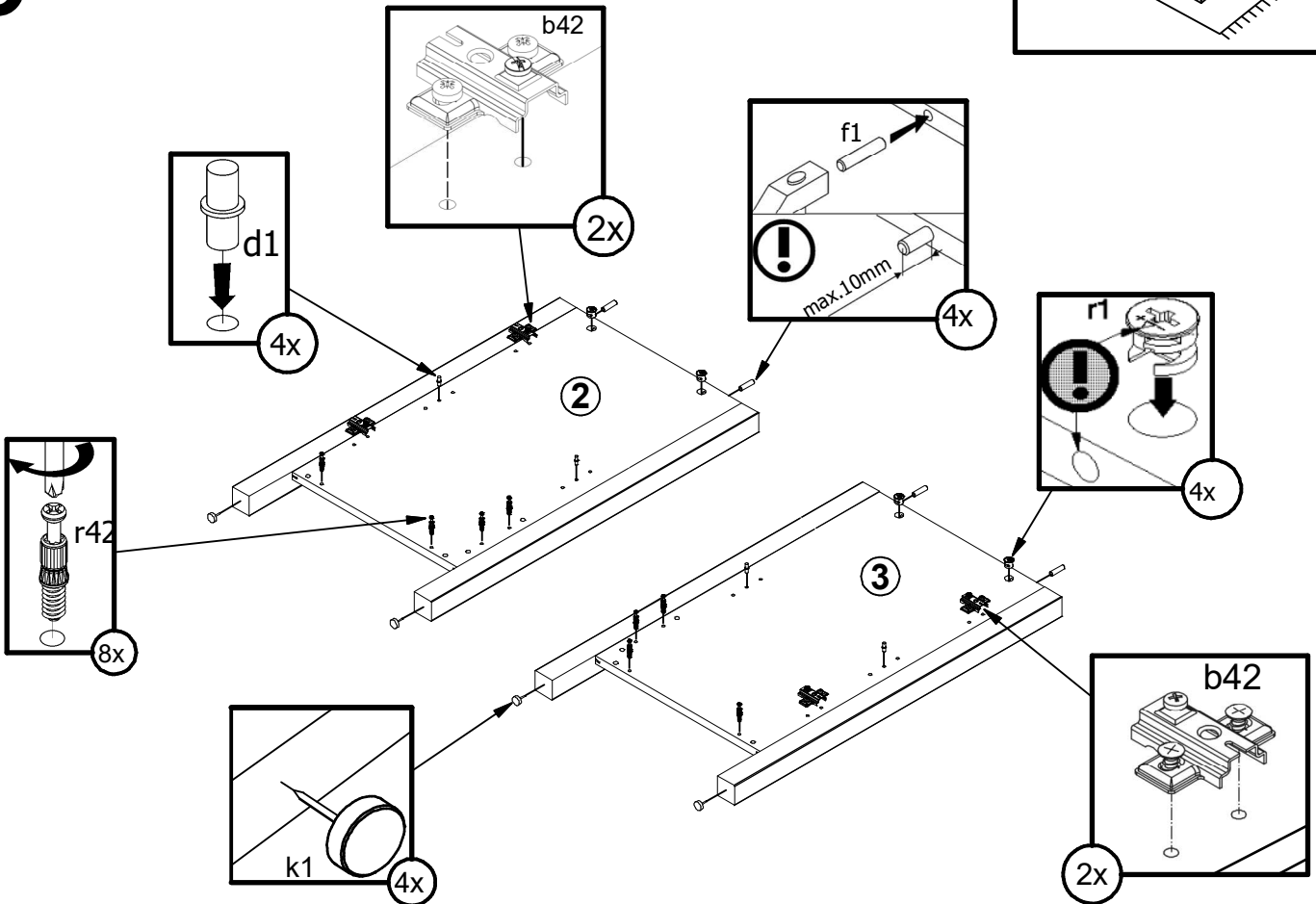
2x



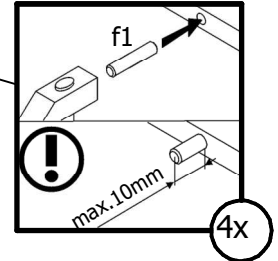
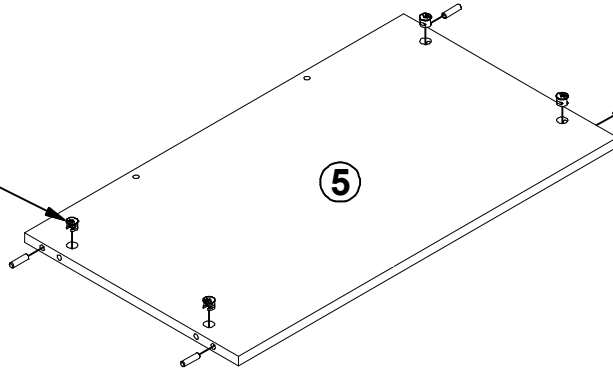
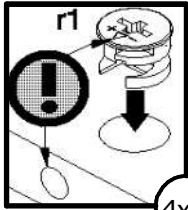
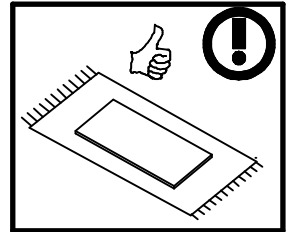
2



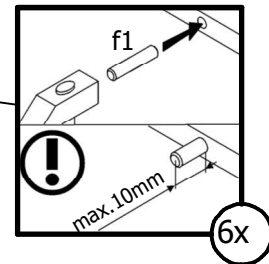
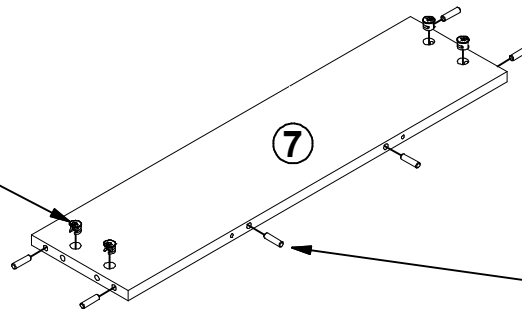
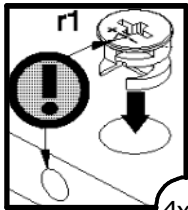
3



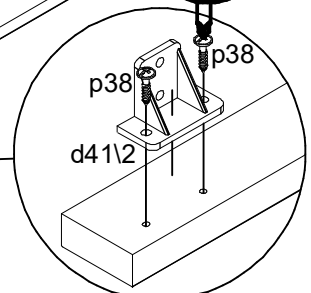
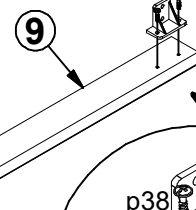
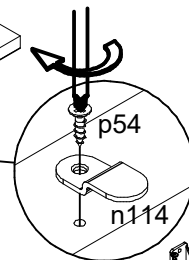
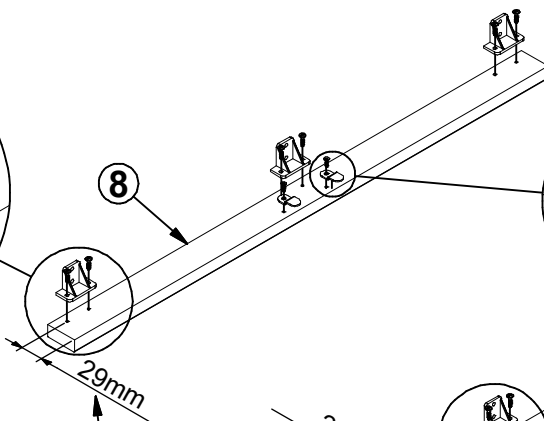
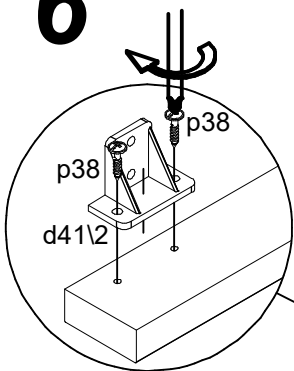
4



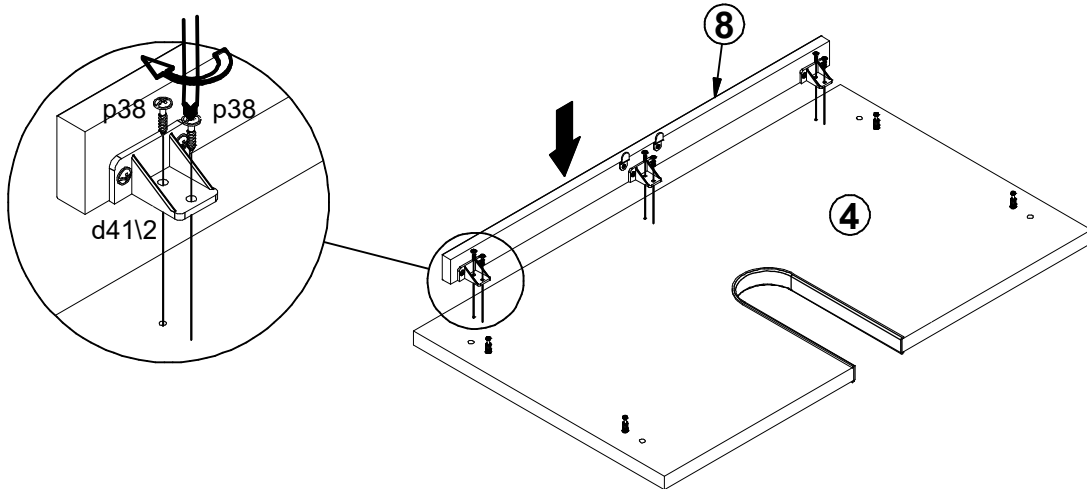
5



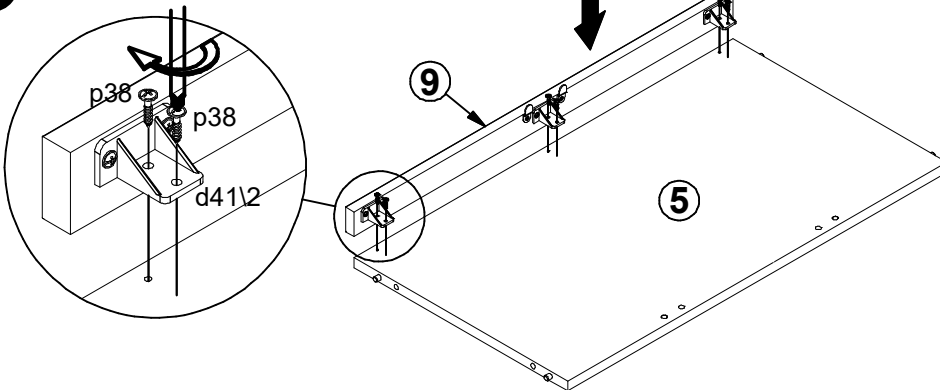
6



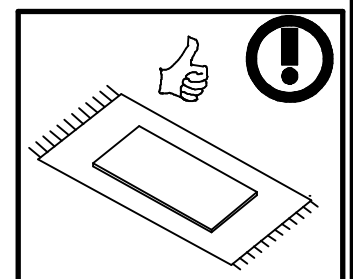
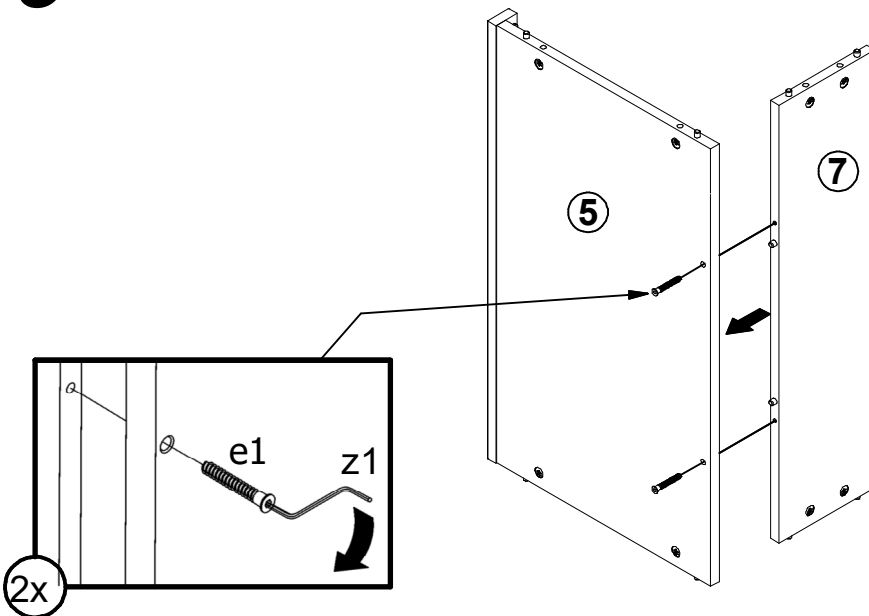
7



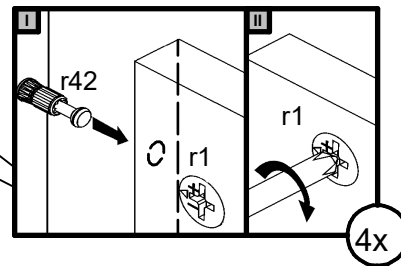
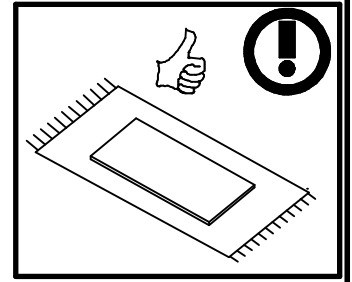
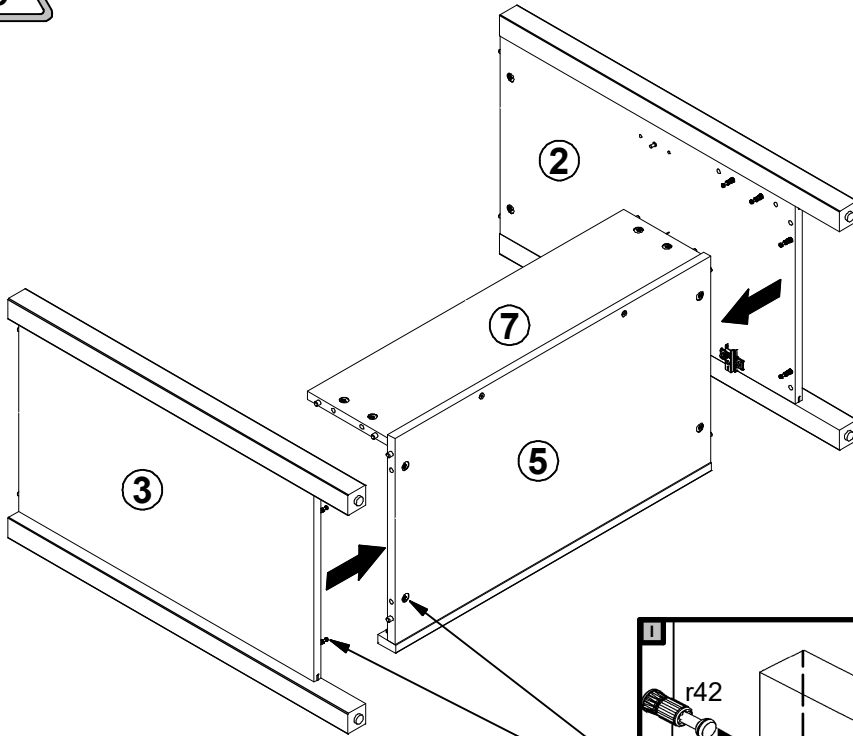
8



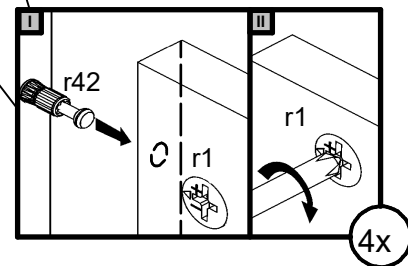
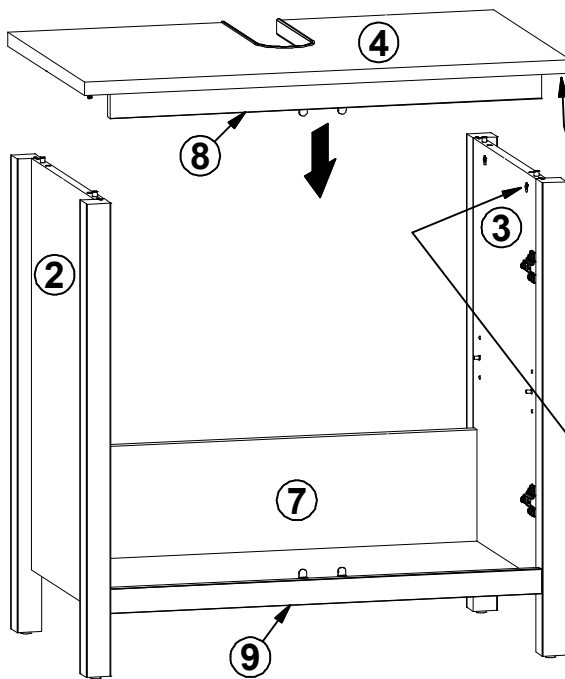
9

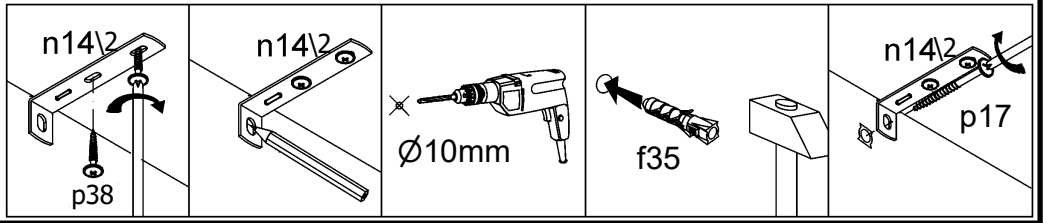


10

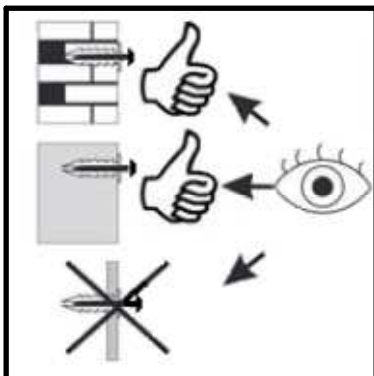
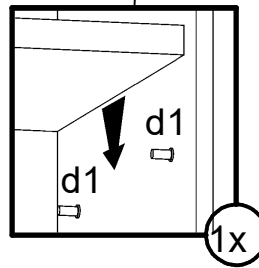
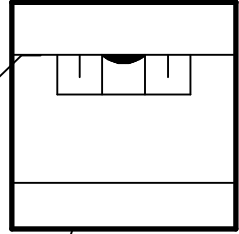
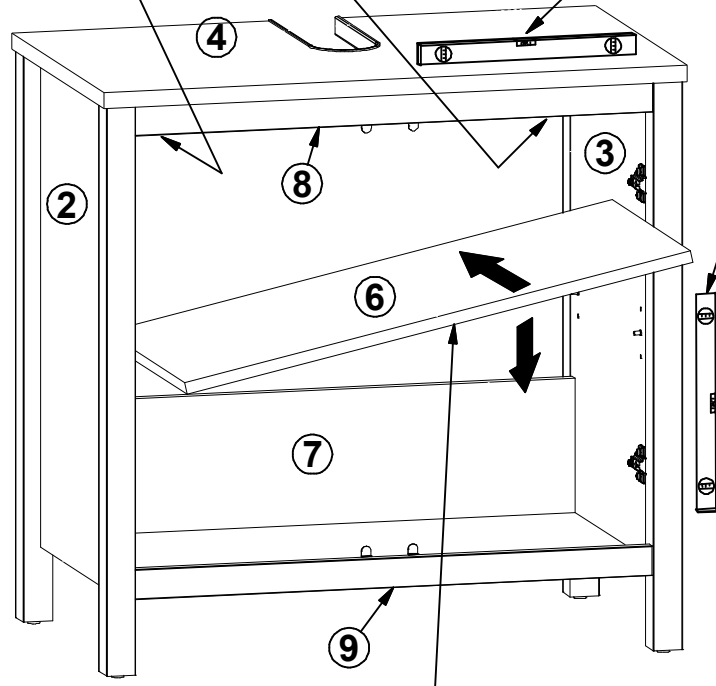


11





12



12

