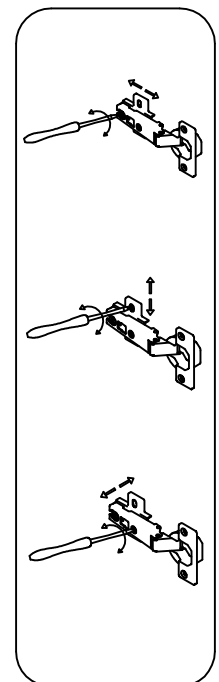
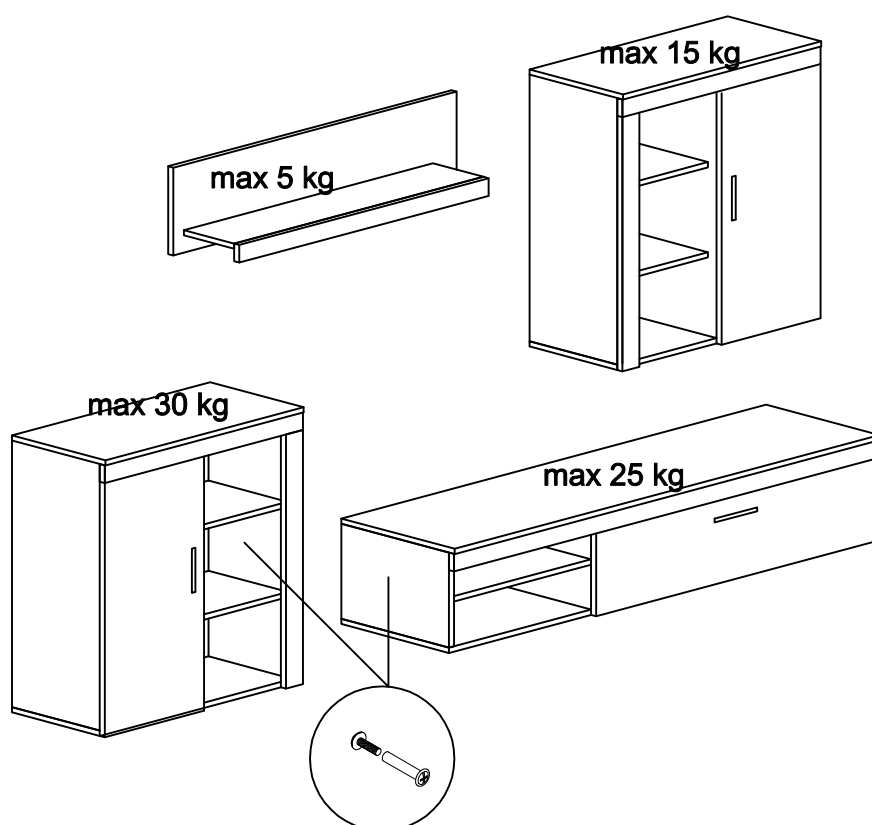


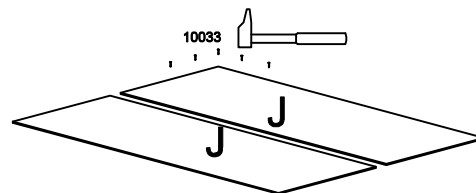
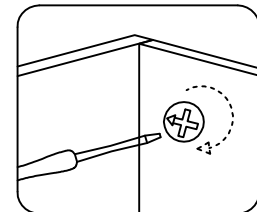
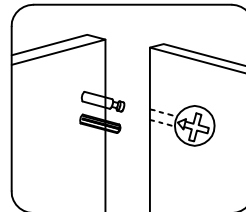
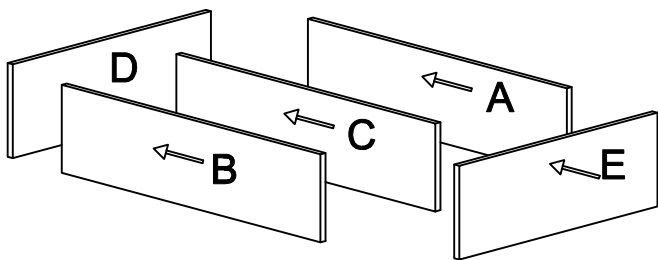
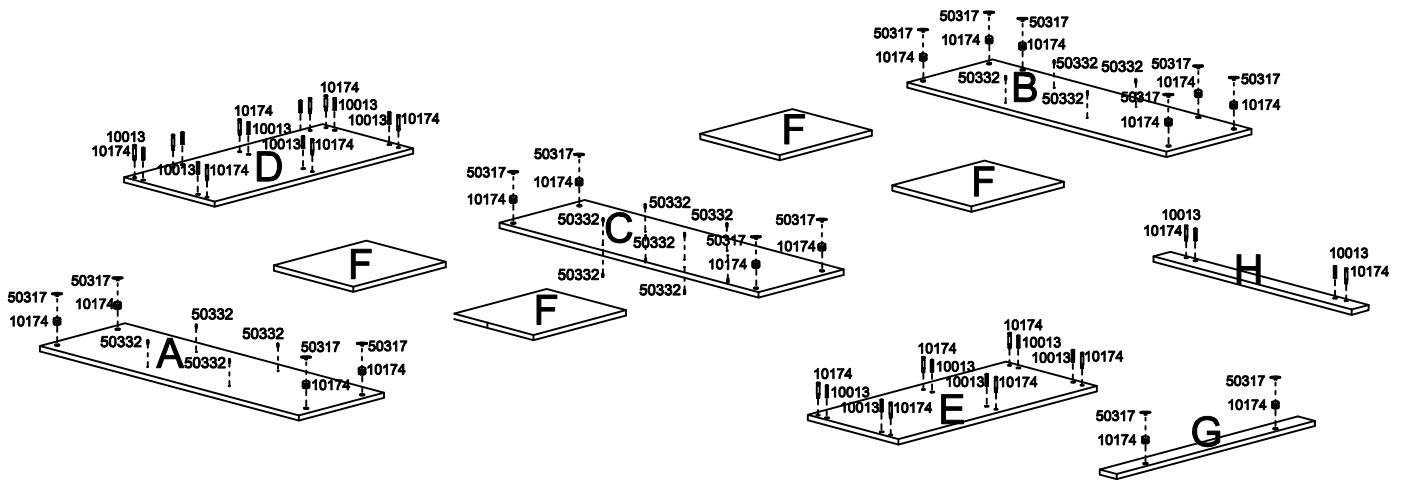
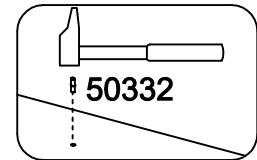
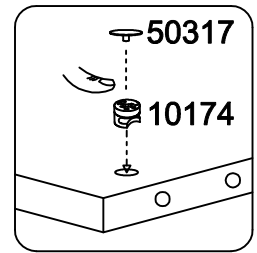
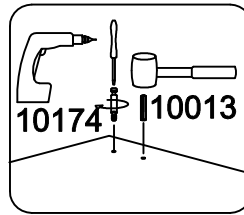
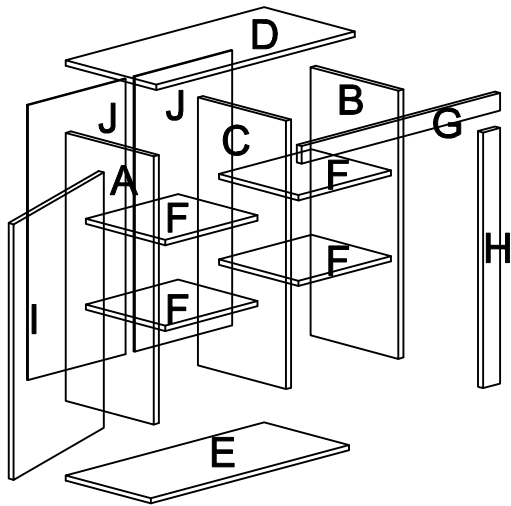
A	2x 918x300	1/5
B	2x 918x300	1/5
C	2x 918x296	1/5
D	2x 700x320	4/5
E	2x 700x300	4/5
F	8x326x280	4/5
G	2x 700x 60	1/5
H	2x 872x 60	1/5
I	2x 355x871	2/5
J	4x 938x344	3/5
K	328x380	3/5

L	328x380	3/5
M	328x380	3/5
N	1500x400	3/5
O	1500x380	3/5
P	484x380	3/5
Q	1500x 60	3/5
R	997x281	3/5
S	988x348	3/5
T	1000x300	5/5
U	880x178	5/5
V	880x 60	5/5

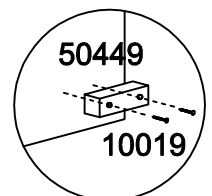
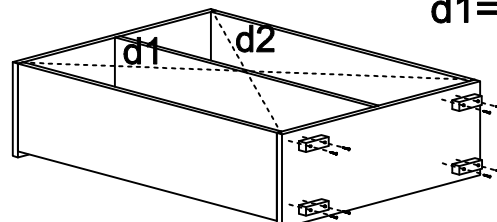
56x  10174	56x  10013	56x  50317	4x  40161	2x  40158	1x  40011	10x  50449
38x  Φ 3,5/16 10001	20x  Φ 4x35 10019	3x  20108	4x  50108	6x  10060	6x  Φ 6x80 10021	6x  Φ 4x30 10006
2x  10037	 10033	32x  50332				

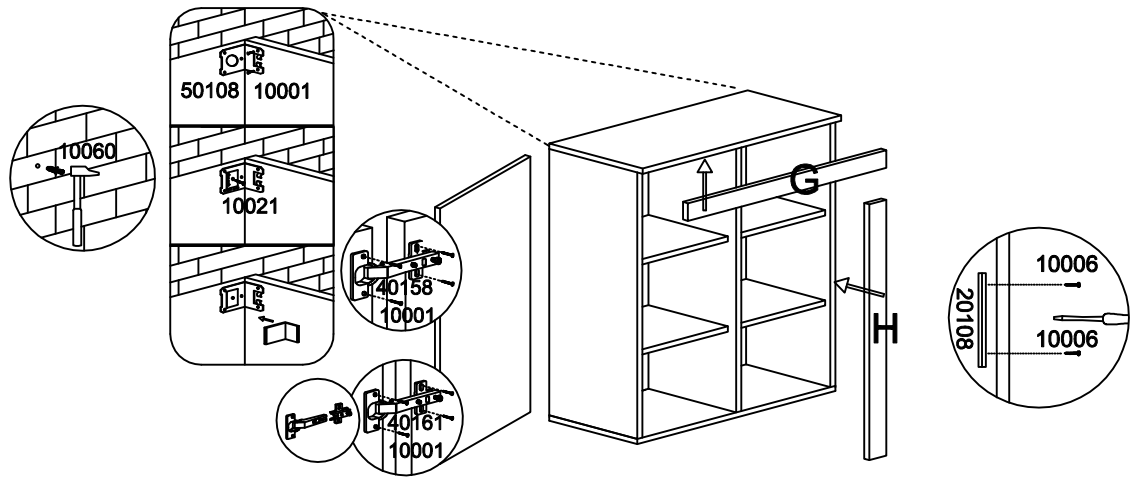


1

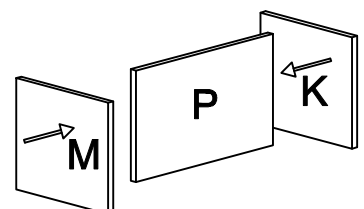
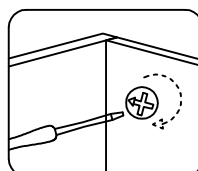
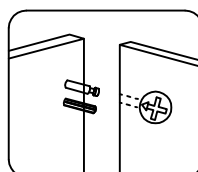
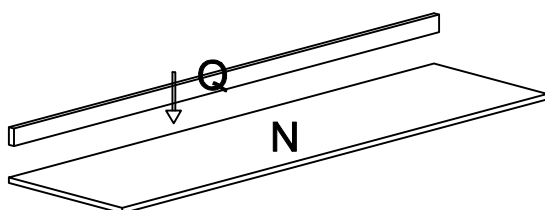
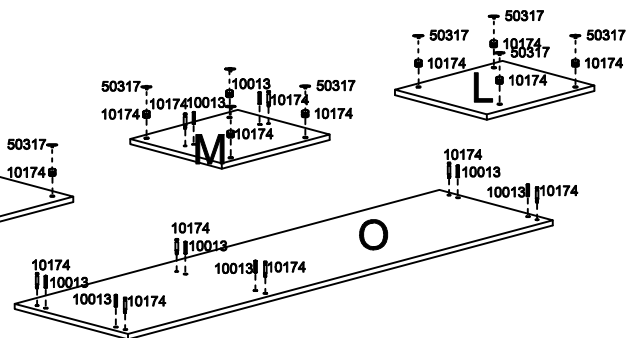
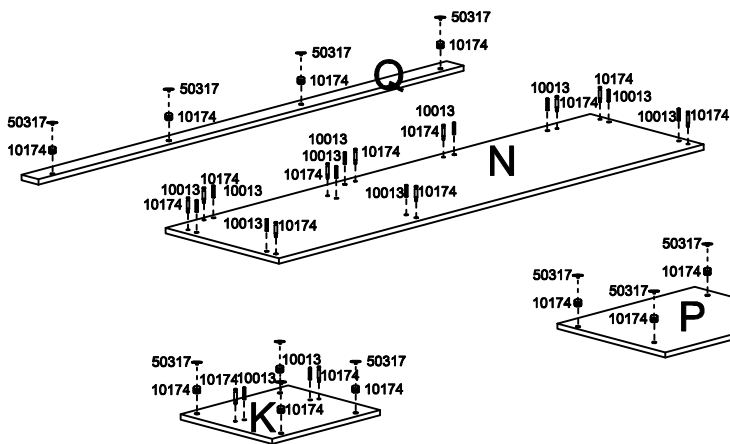
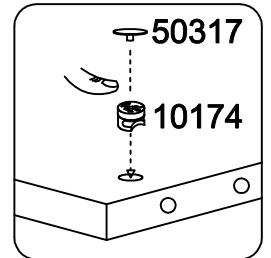
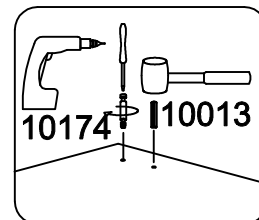
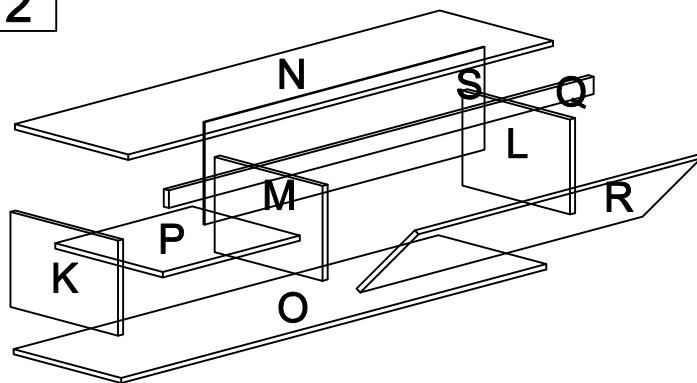


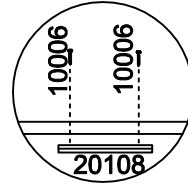
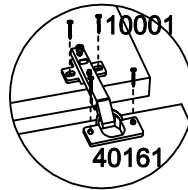
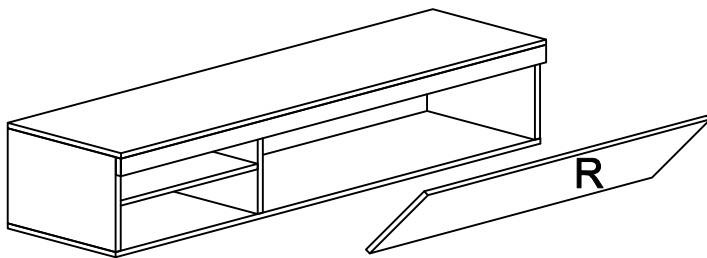
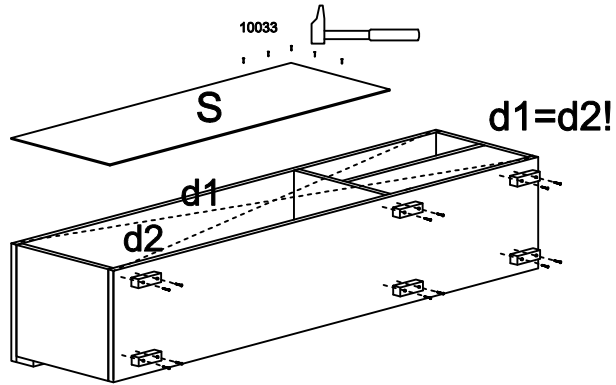
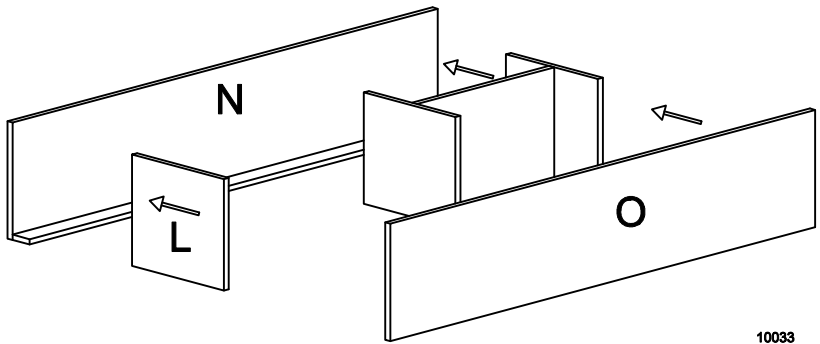
d1=d2!



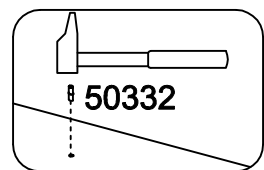
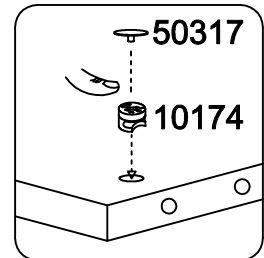
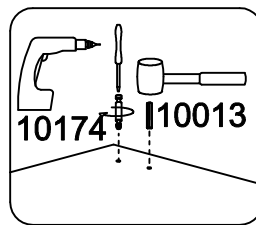
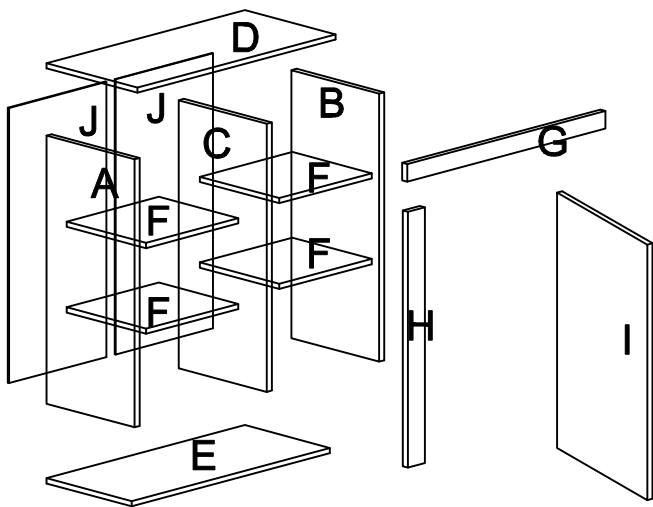


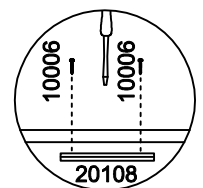
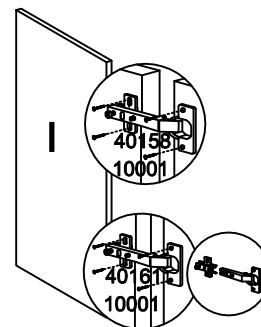
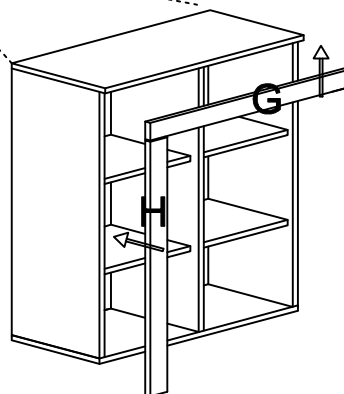
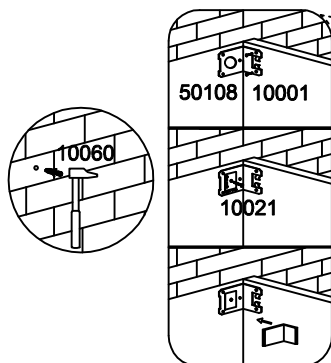
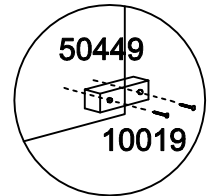
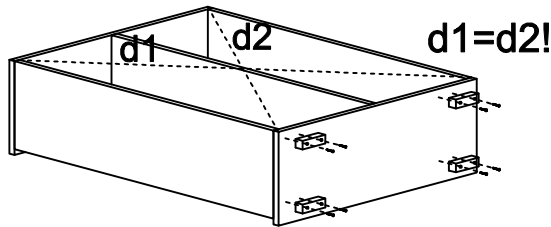
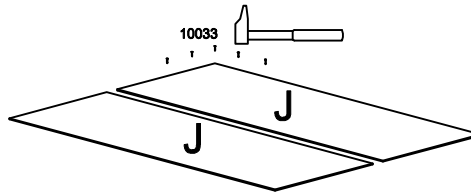
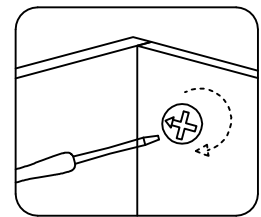
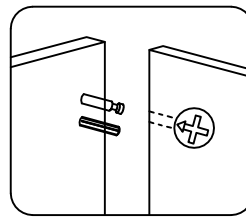
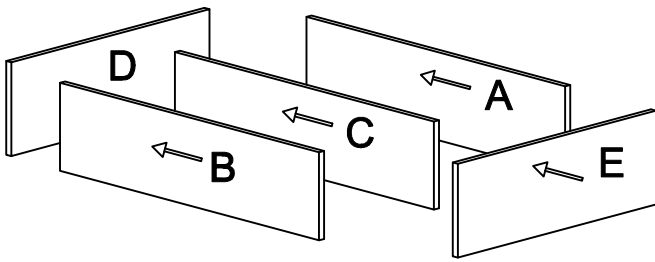
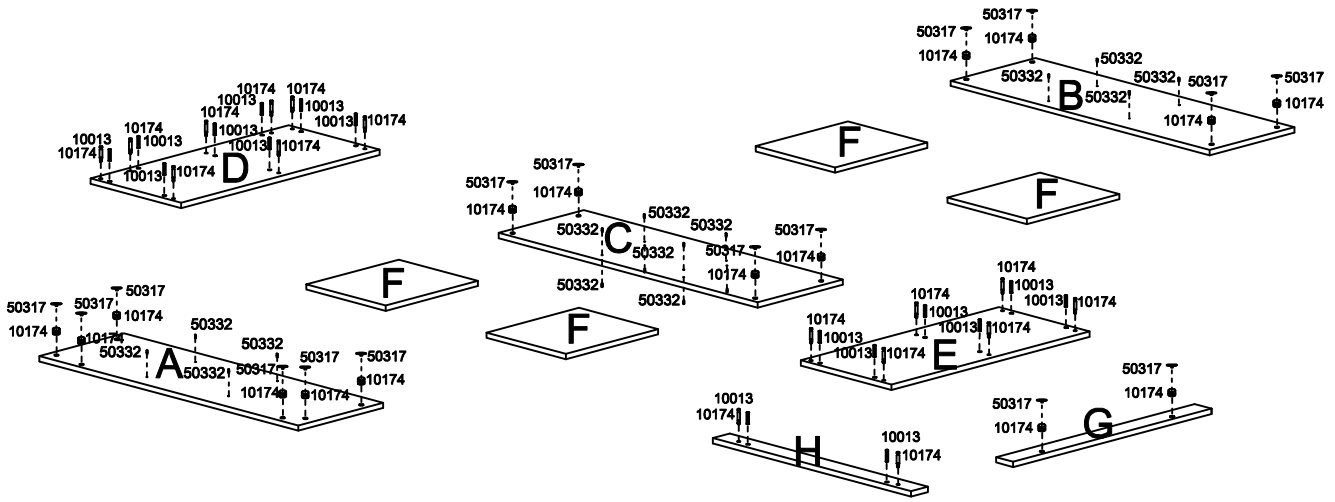
2





3





4

