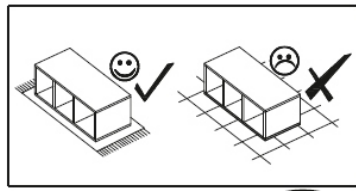
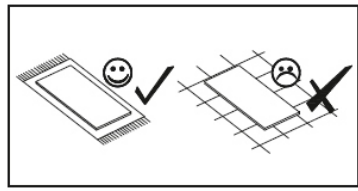
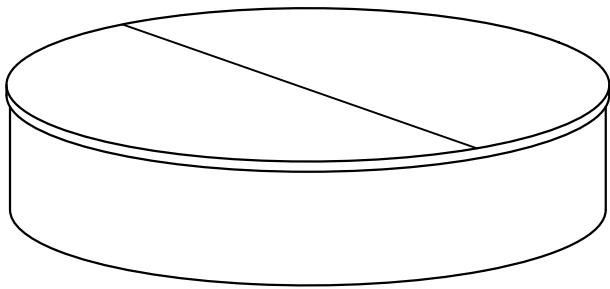




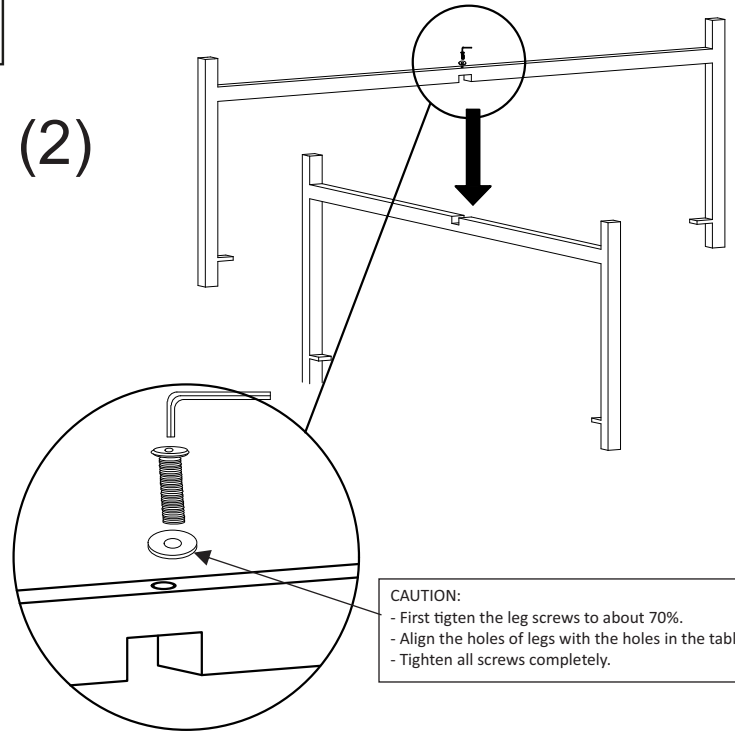
AVADI Couchtisch rund 83-142-S4-I



(1)

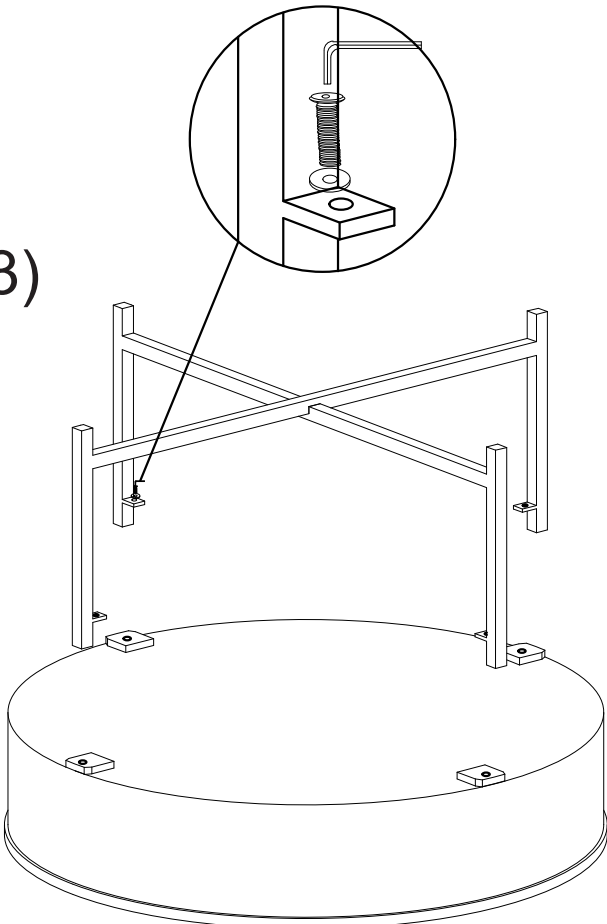


(2)



CAUTION:
- First tighten the leg screws to about 70%.
- Align the holes of legs with the holes in the table top.
- Tighten all screws completely.

(3)



(4)

