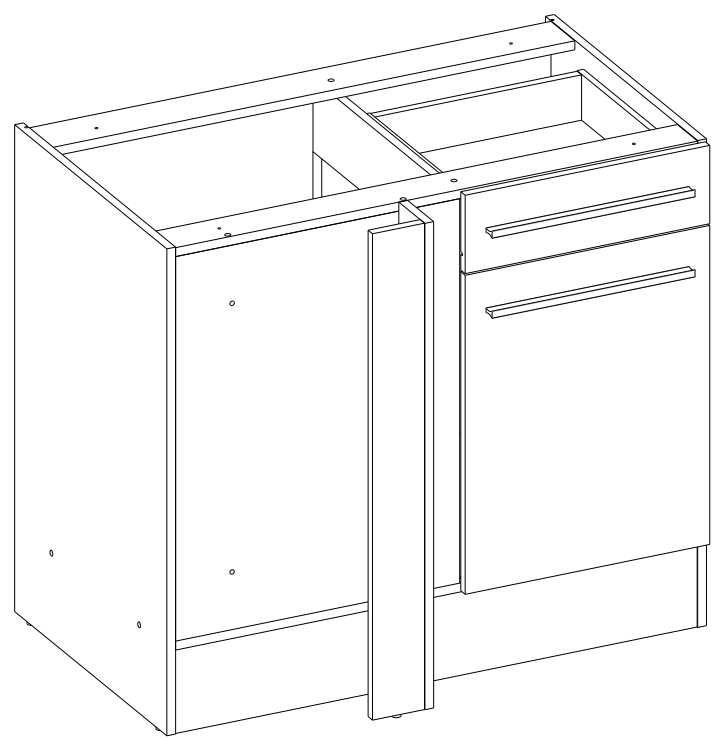
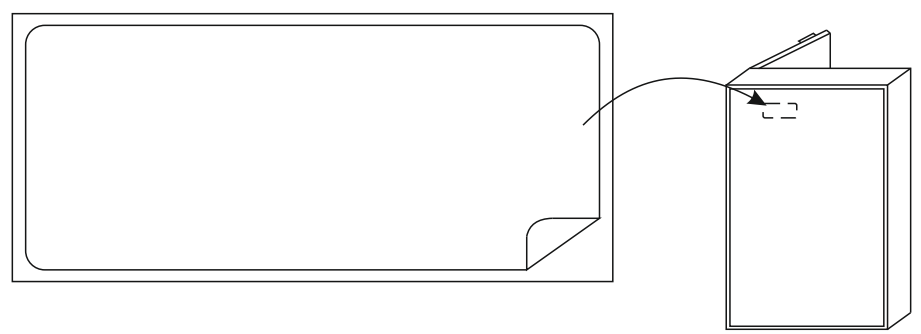
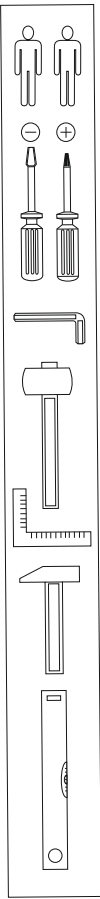


# A

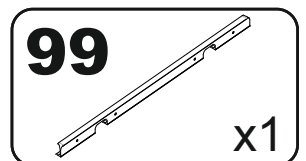
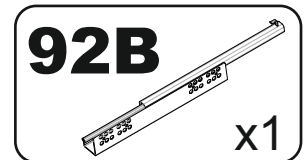
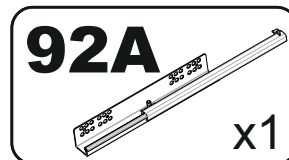
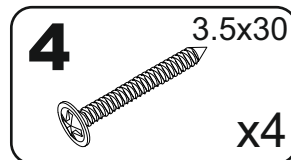
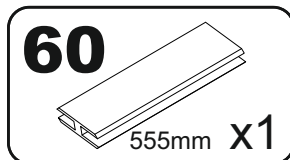
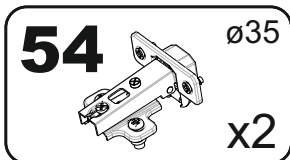
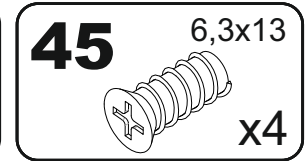
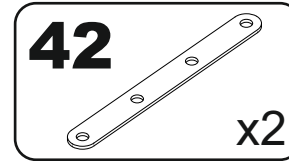
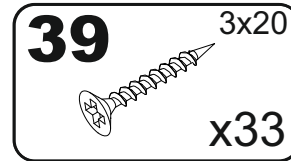
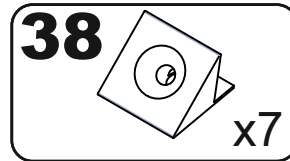
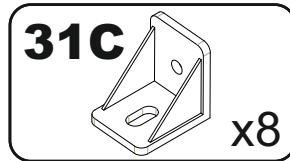
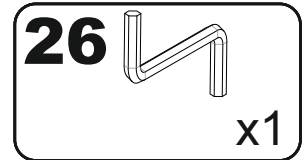
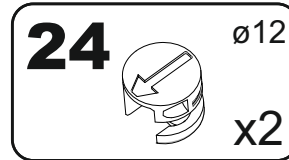
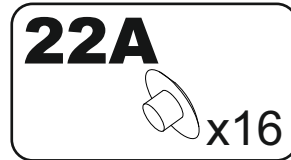
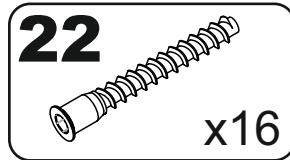
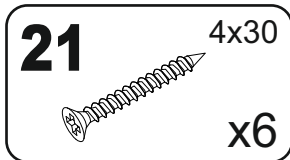
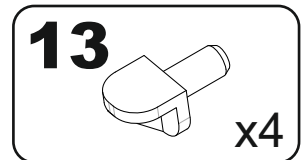
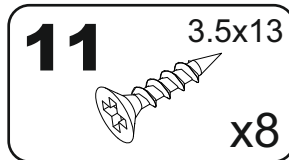
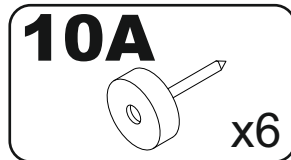
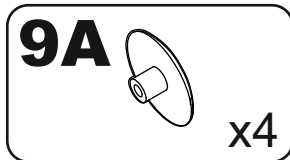
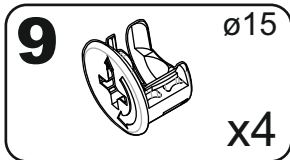
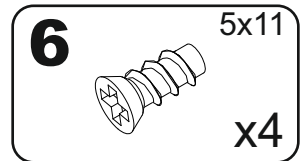
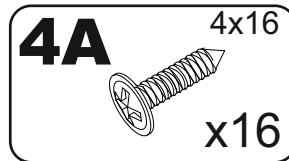
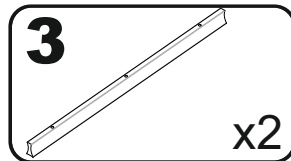
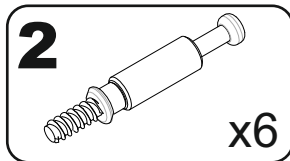
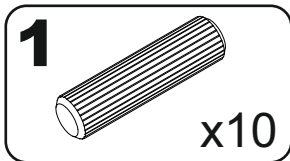
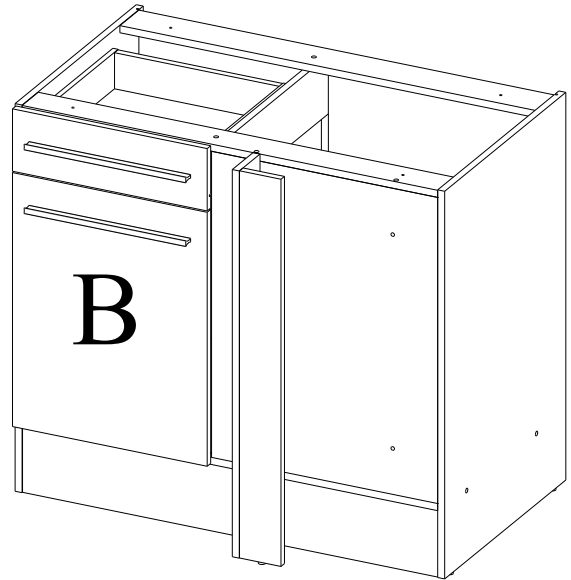
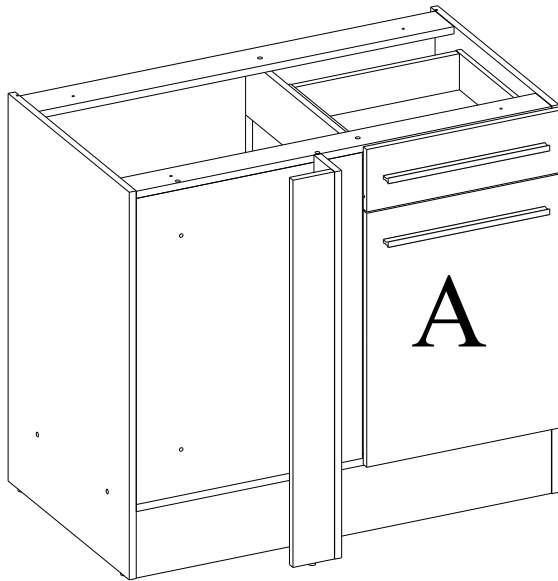


A collection of safety and tool-related icons. On the left, there are several circular icons: a floor mat with a smiley face and checkmark, a floor mat with a sad face and an 'X', a cabinet being moved with a checkmark, a cabinet being moved with an 'X', a person sitting on a cabinet with a slash, a cabinet corner with a warning triangle, a thumbs up and thumbs down with an eye, a person and a person with a slash, a person standing on a cabinet with a slash, a hand being washed with a slash, a hand being washed with '100% COTTON', a person and a hand with a slash, and a bottle and flask with a slash. On the right, there is a speech bubble containing icons for a level, a minus sign, a plus sign, a hammer, a pencil, and a tape measure. Below this is an icon of a toolbox and a power drill with a bit labeled 'Ø8'.

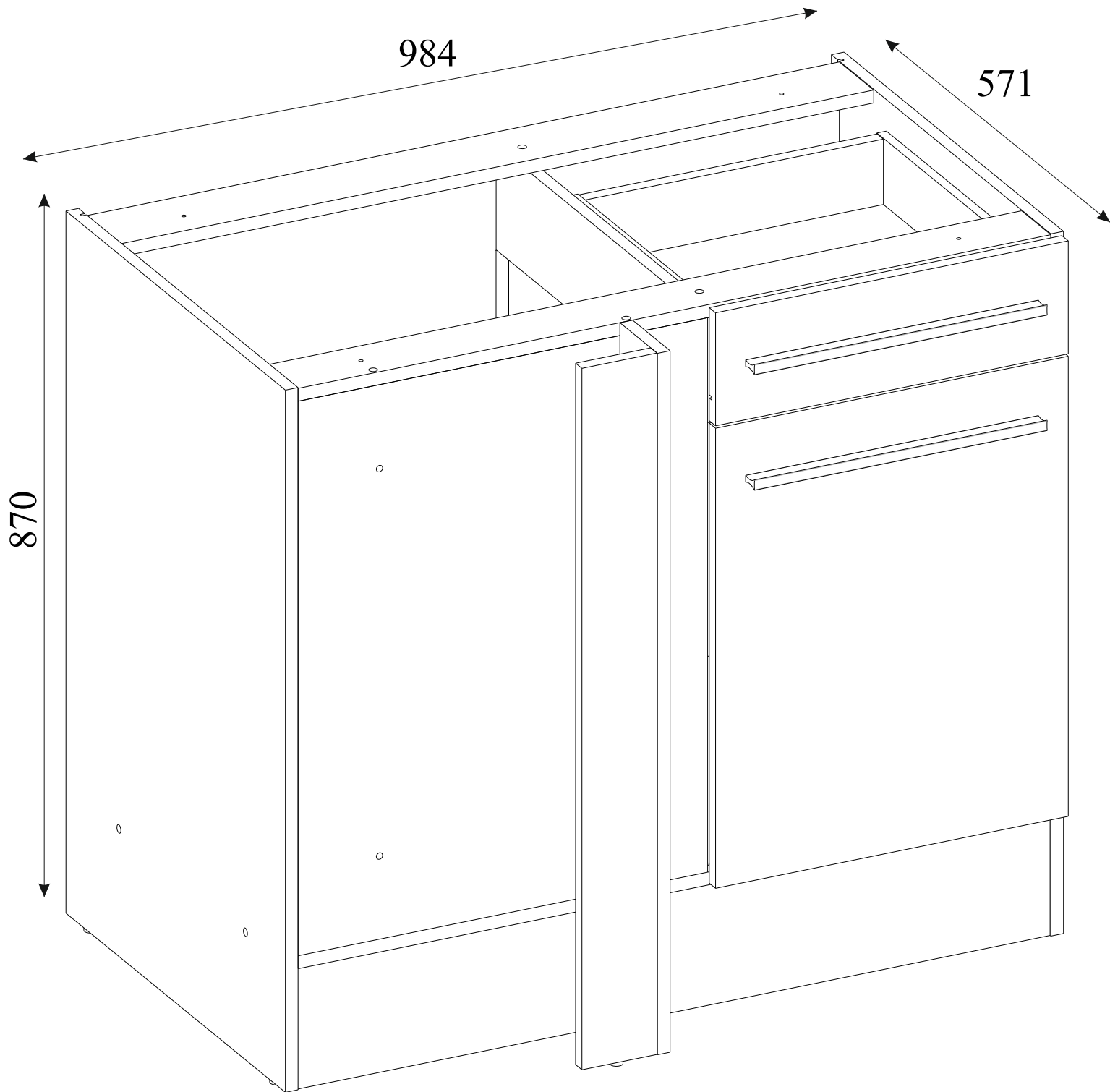


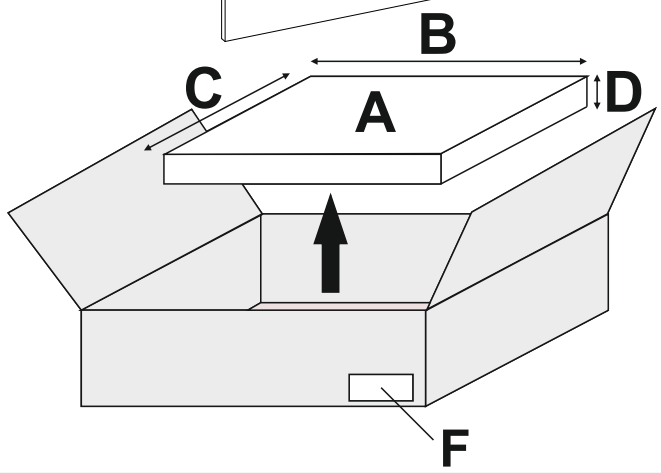
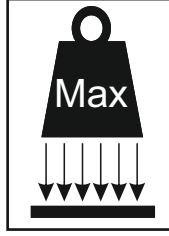
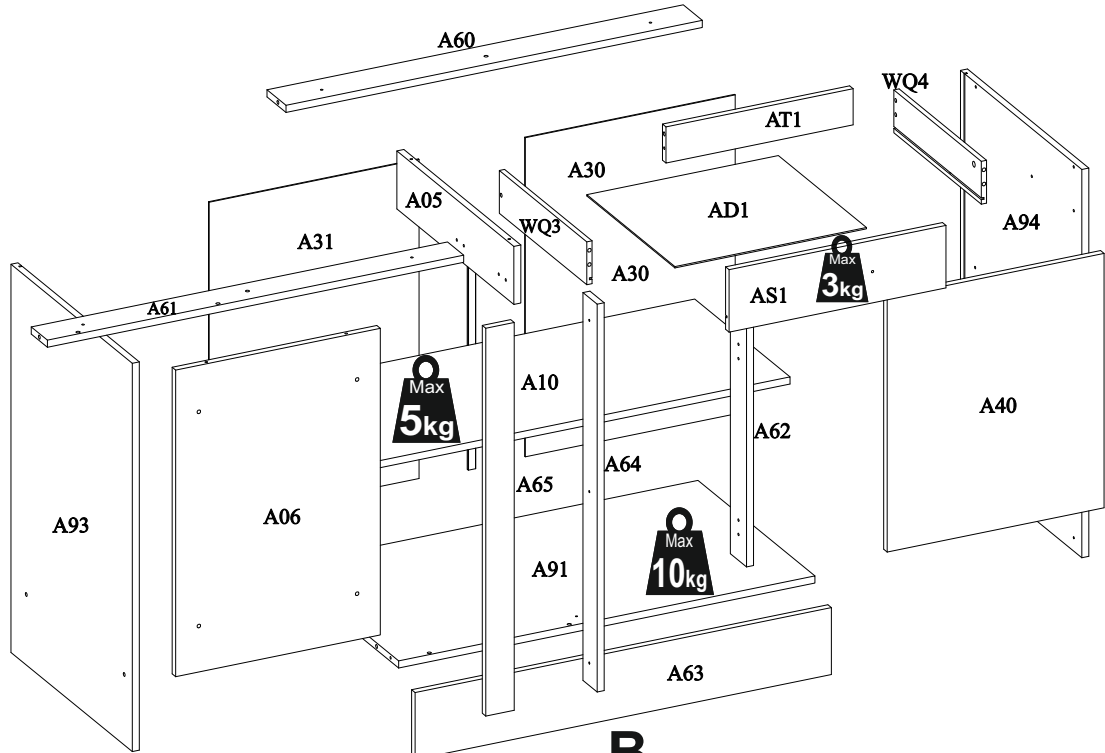
A. - LEVÁ/ĽAVÁ

B. - PRAVÁ



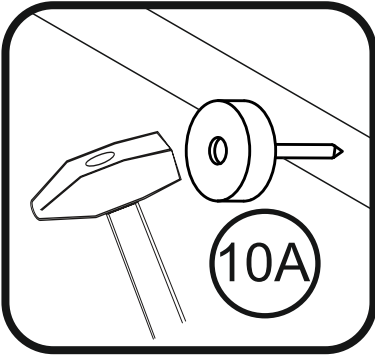
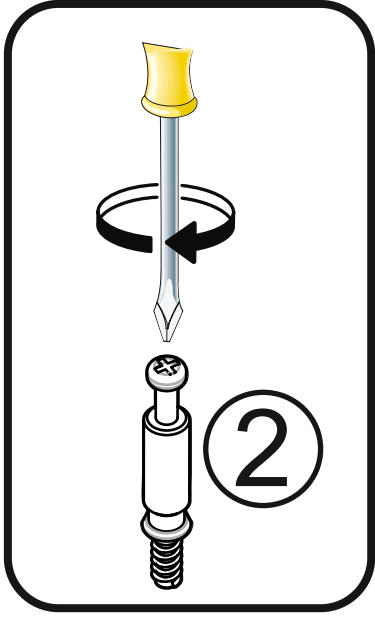
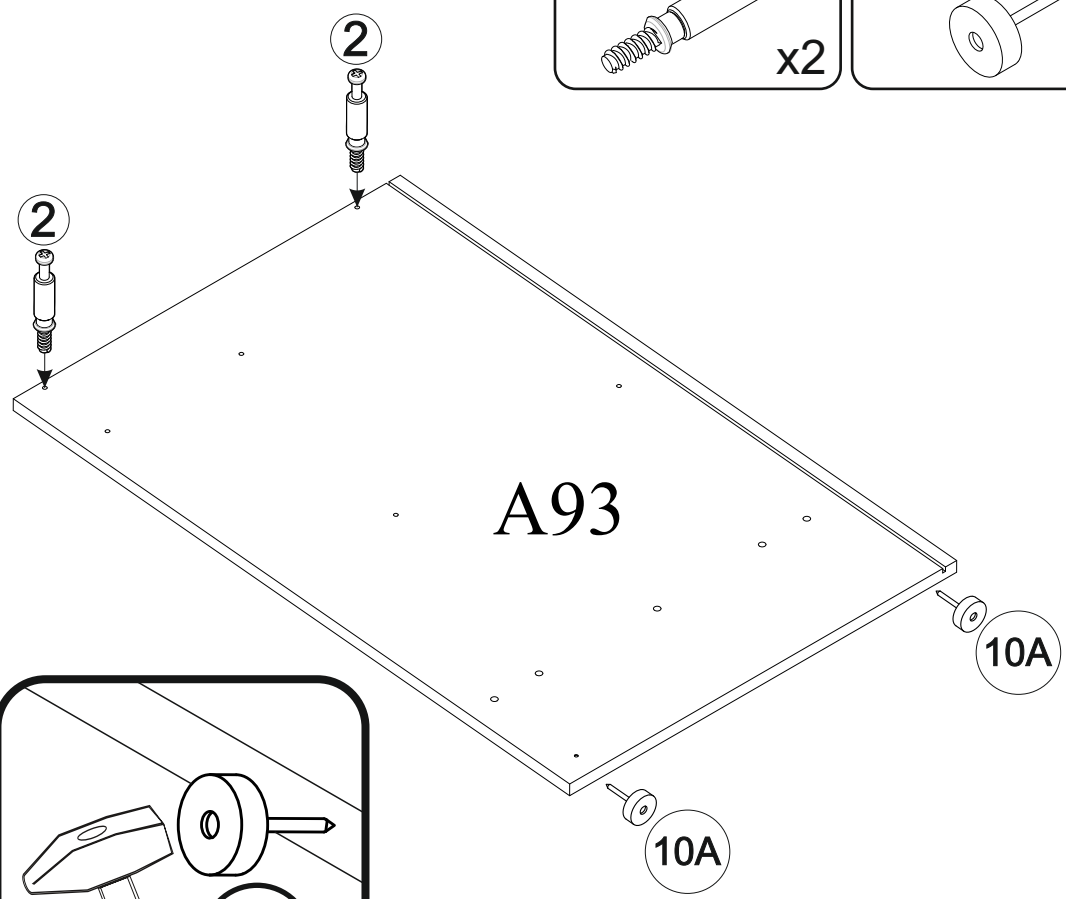
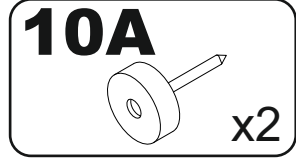
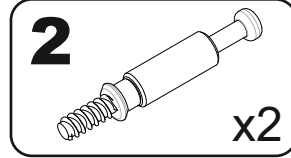
# A. - LEVÁ/L'AVÁ



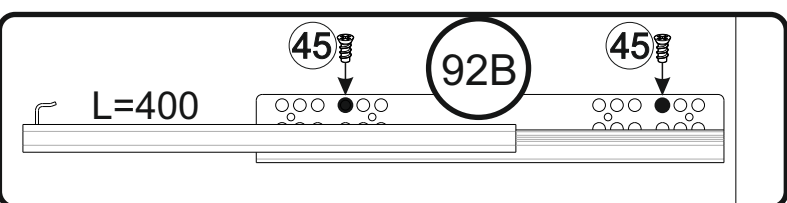
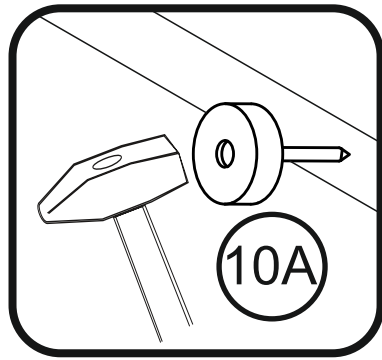
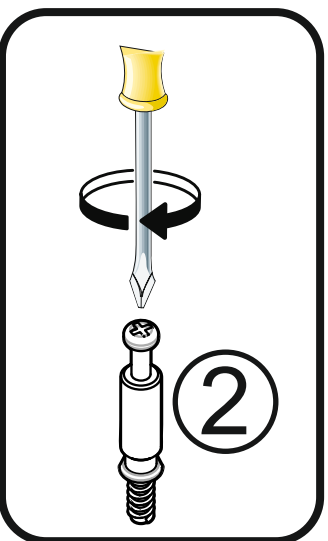
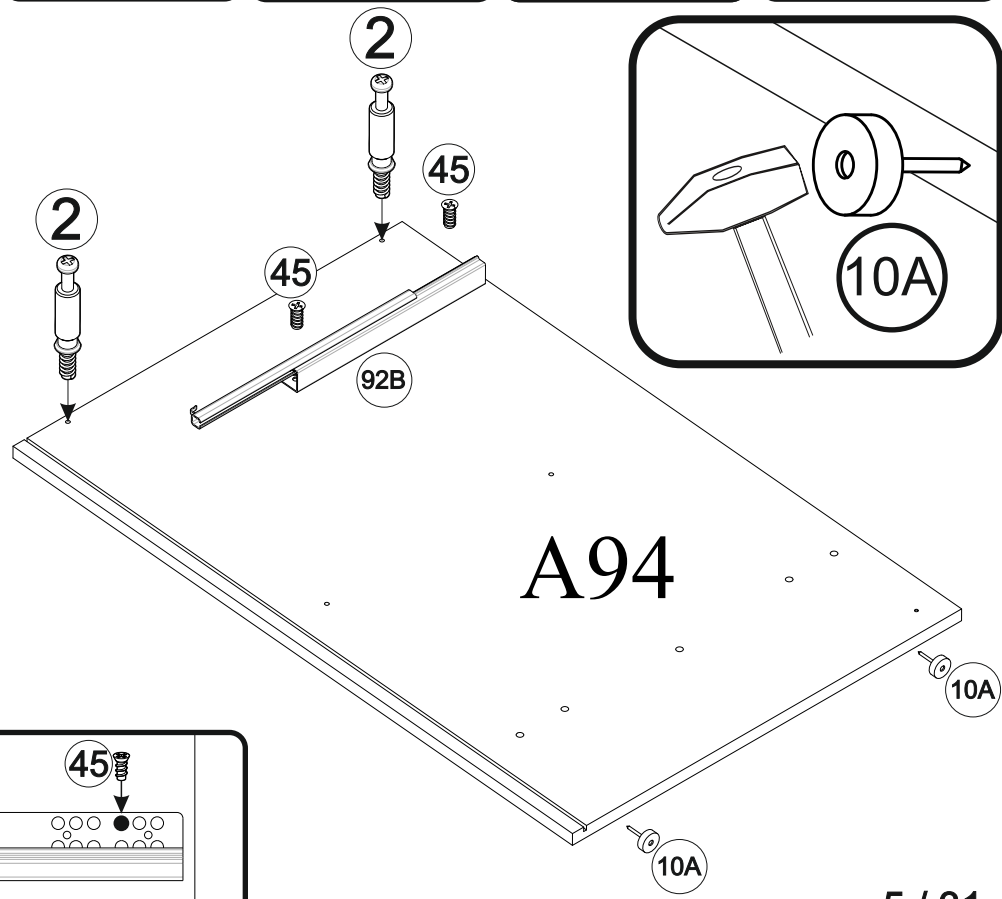
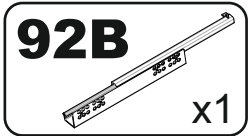
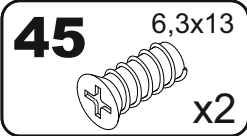
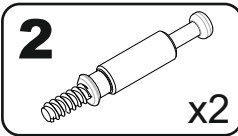


A	B_(mm)	C_(mm)	D_(mm)	E	F
A91	952	535	16	1	2 2
A93	870	555	16	1	2 2
A94	870	555	16	1	2 2
A05	535	130	16	1	2 2
A06	687	518	16	1	2 2
A10	952	436	16	1	2 2
A30	715	430	3	2	2 2
A31	715	530	3	2	2 2
A40	570	446	16	1	2 2
A60	952	87	16	1	2 2
A61	952	74	16	1	2 2
A62	557	74	16	1	2 2
A63	952	150	16	1	2 2
A64	869	95	16	1	2 2
A65	869	95	16	1	2 2
AD1	388	403	3	1	2 2
AS1	446	140	16	1	2 2
AT1	378	81	16	1	2 2
WQ3	400	96	12	1	2 2
WQ4	400	96	12	1	2 2
Z01	1150	600	28	1	1 2

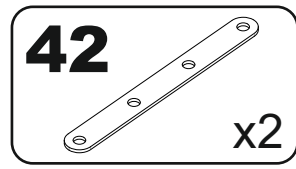
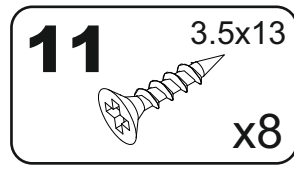
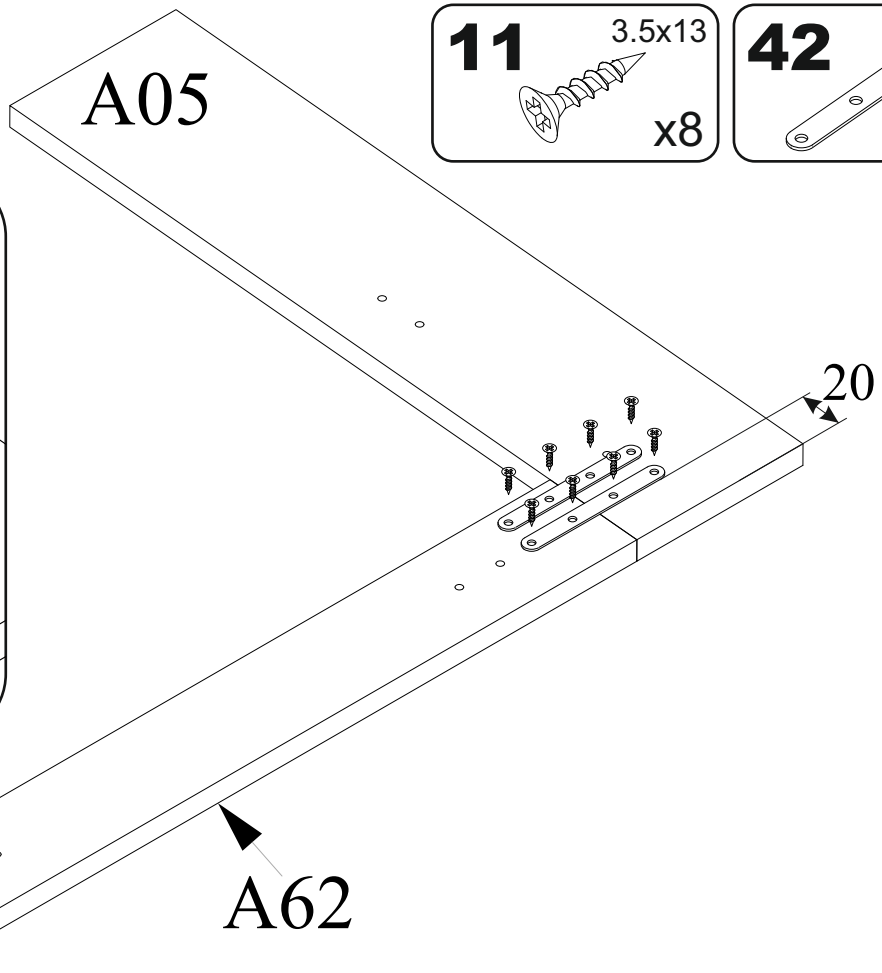
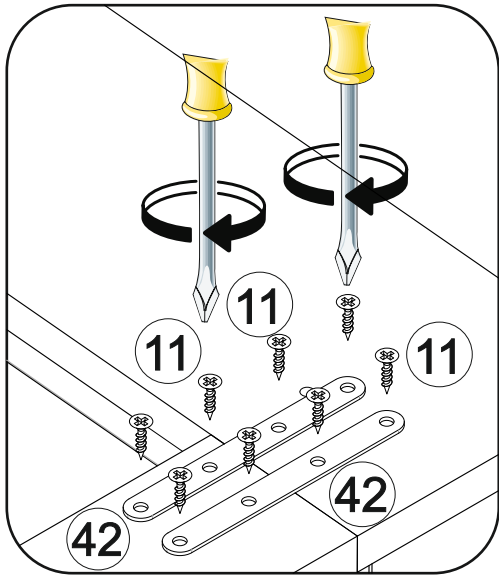
# 1



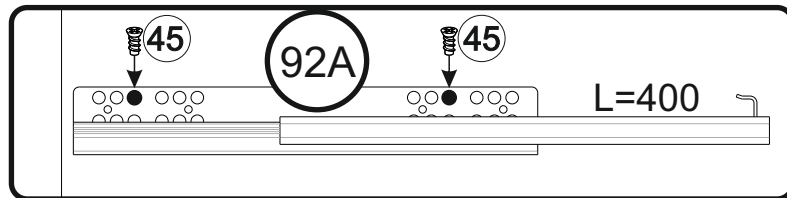
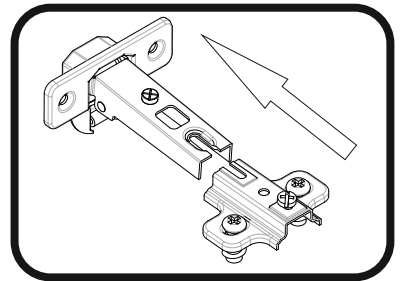
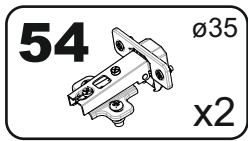
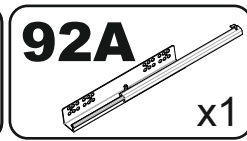
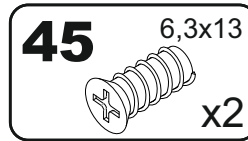
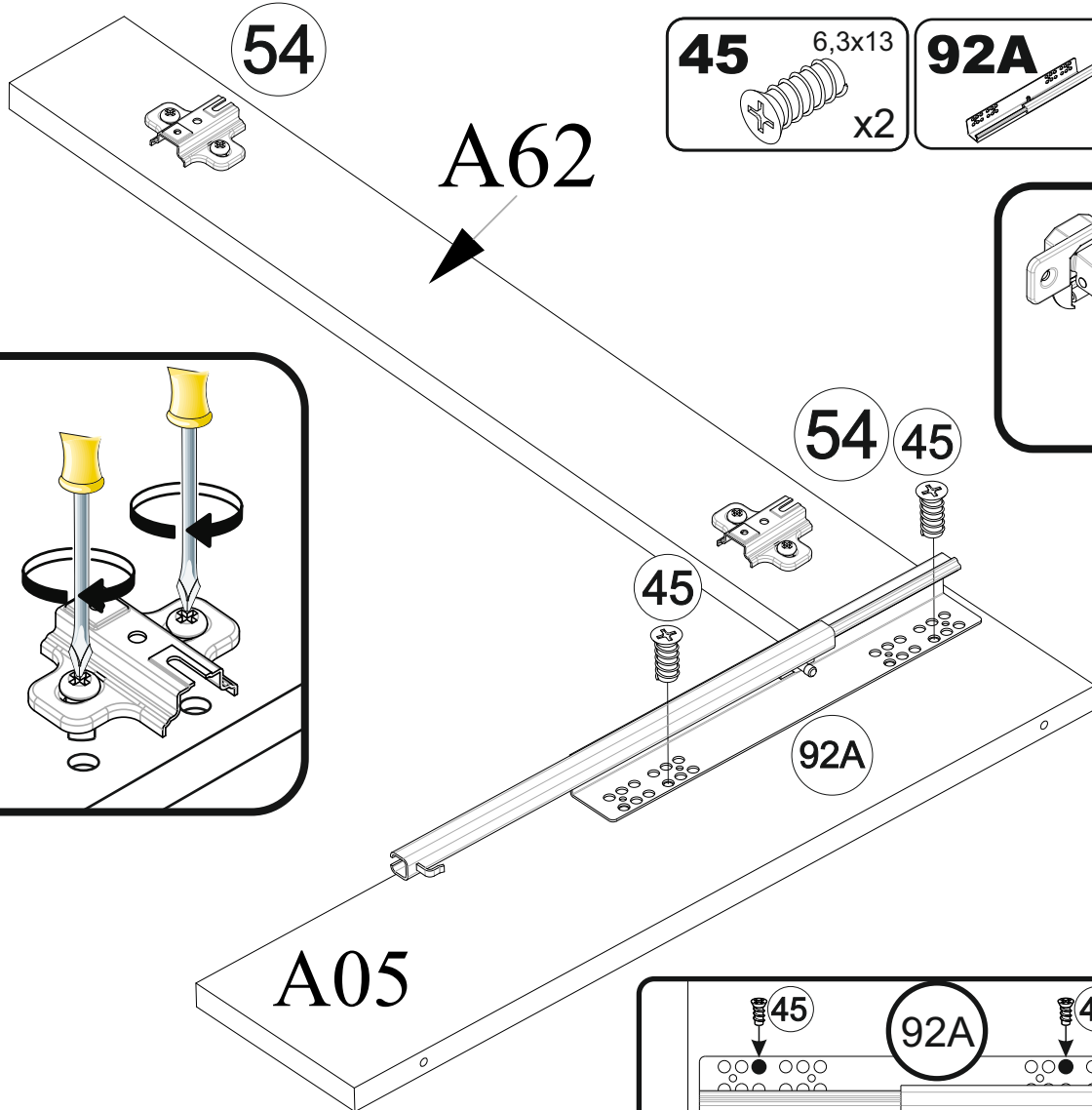
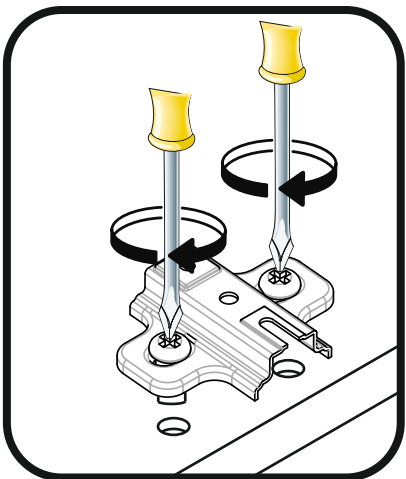
# 2



# 3

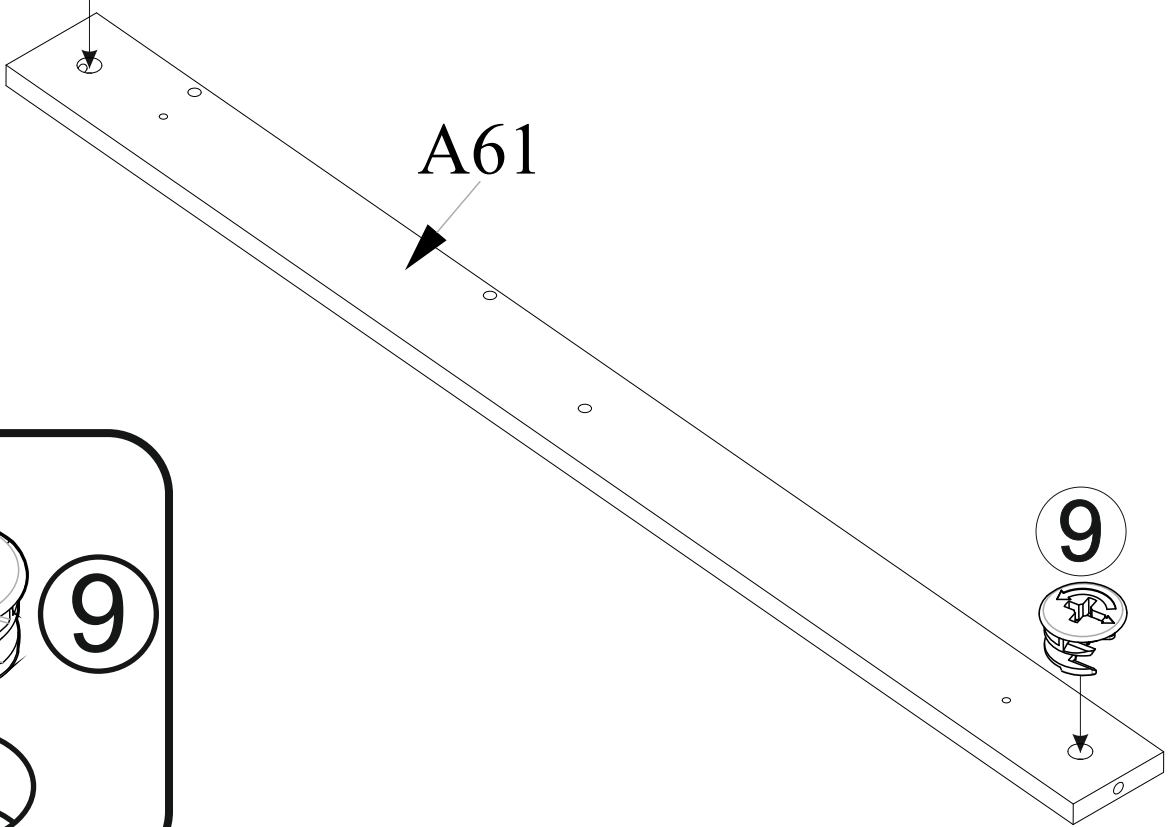


# 4

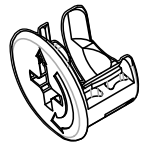


**5**

**9**

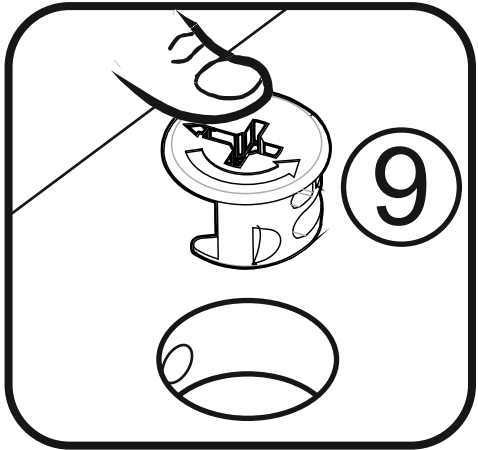


**9**



o15

x2



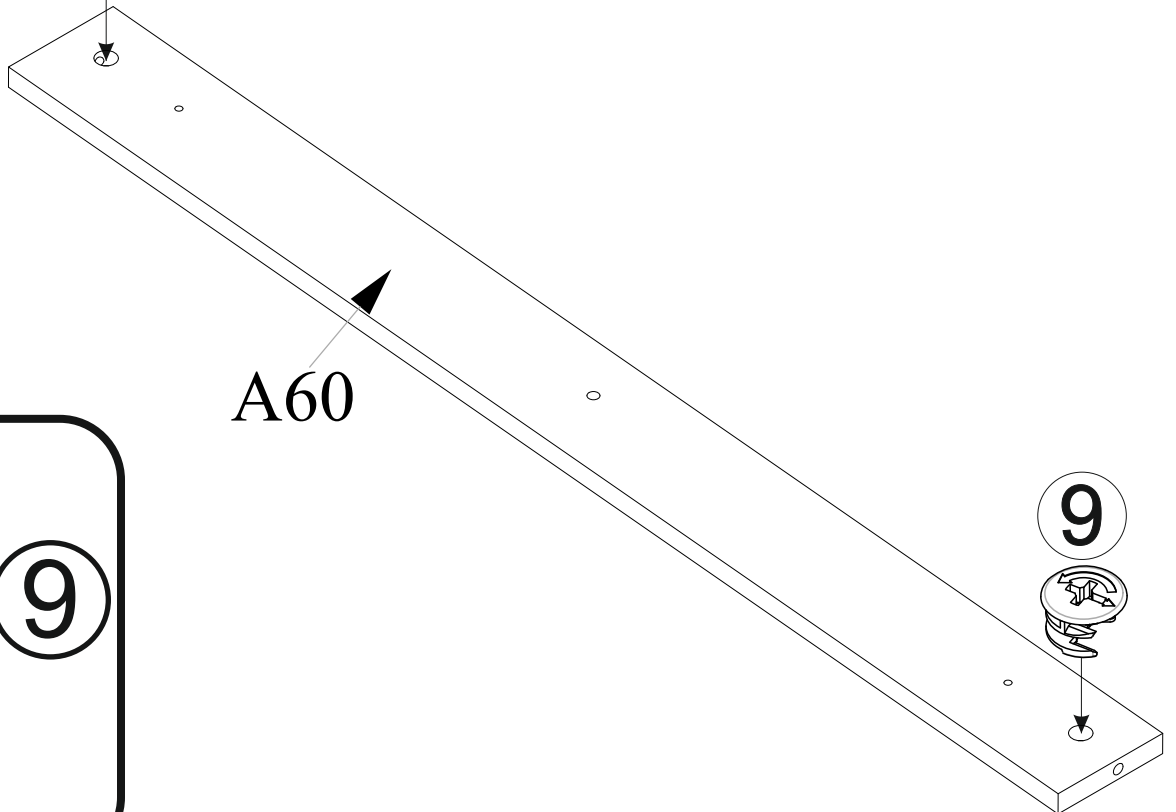
**9**

**9**

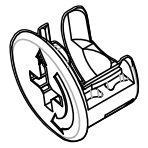


**6**

**9**

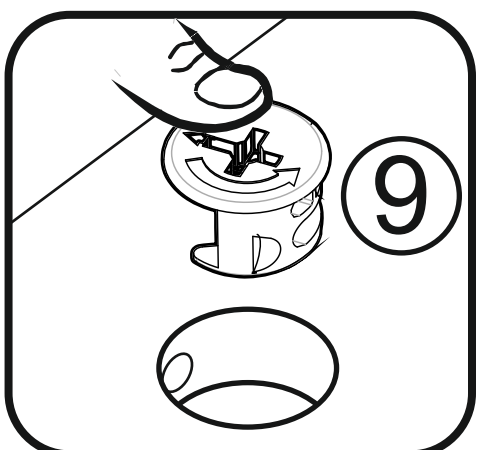


**9**



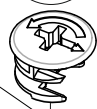
o15

x2

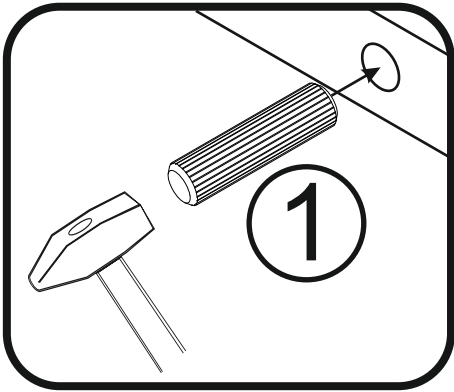
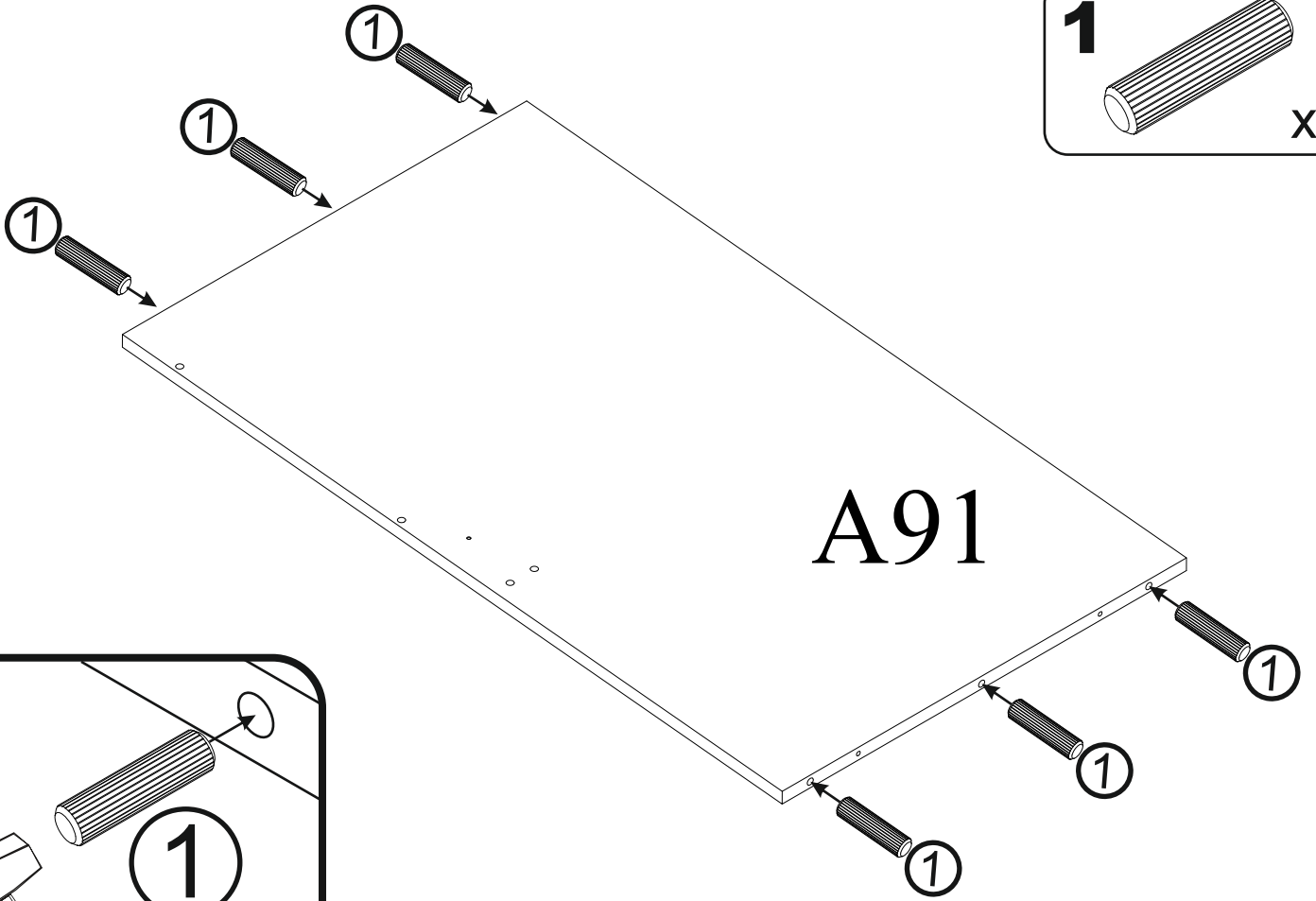
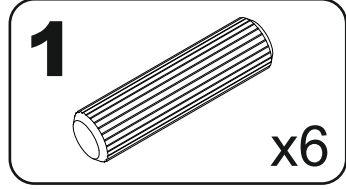


**9**

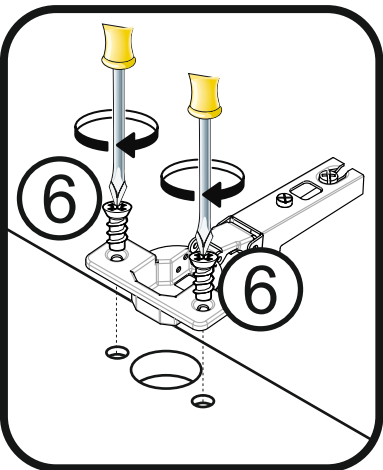
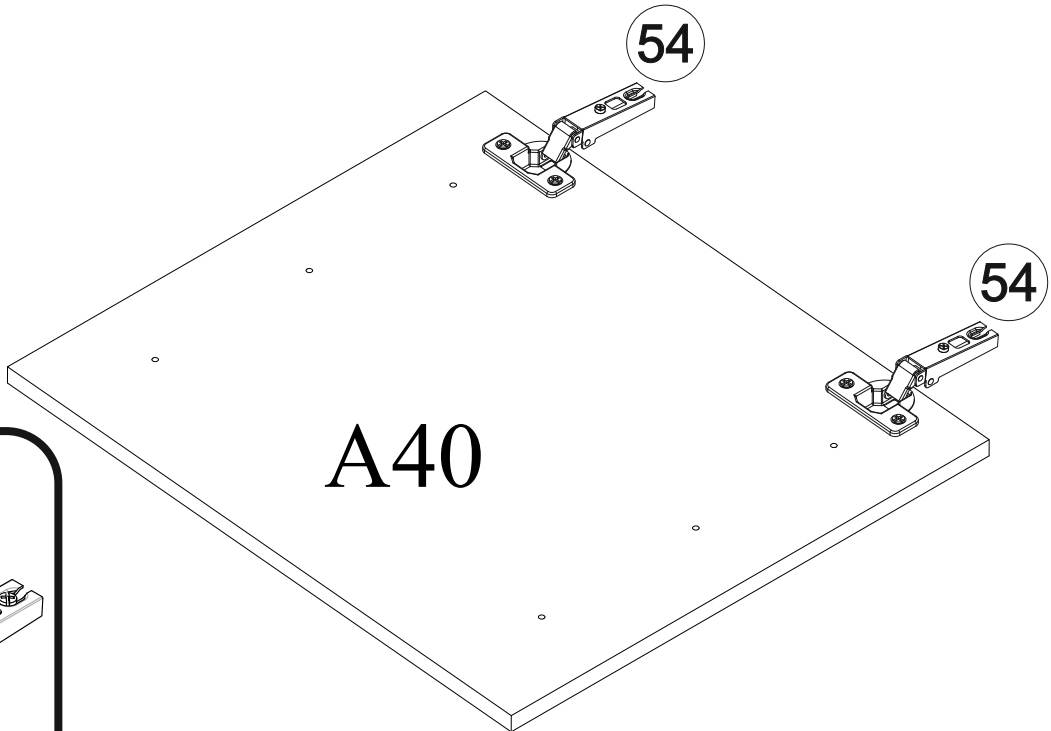
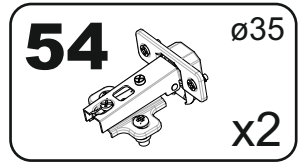
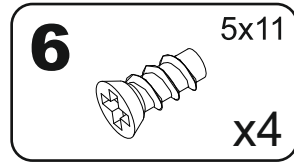
**9**



7

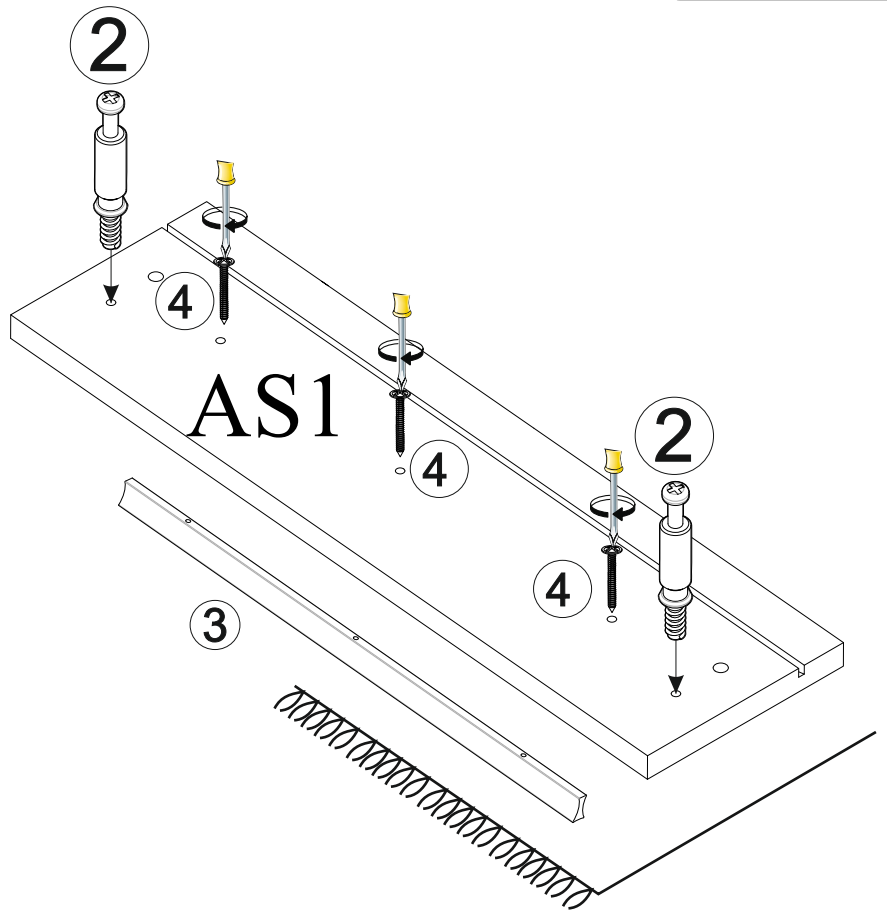
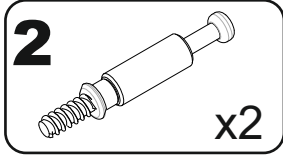
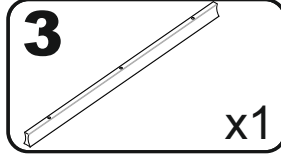
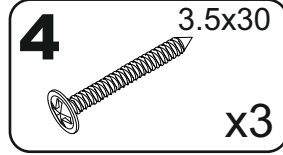
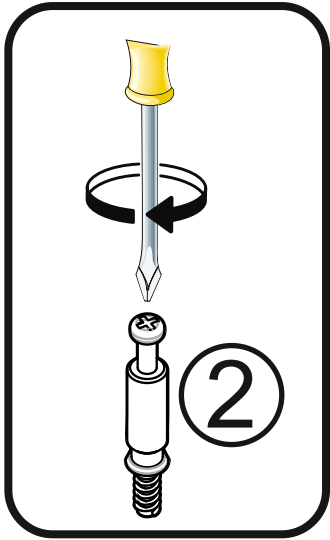
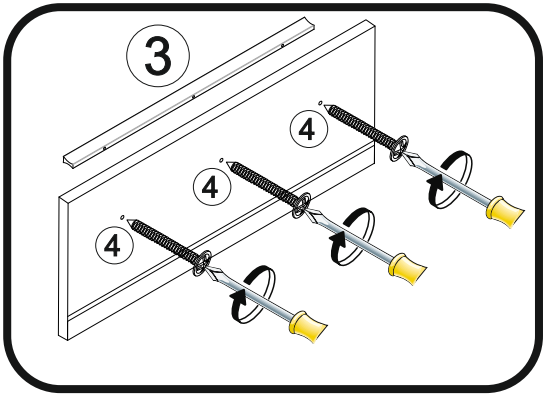


8

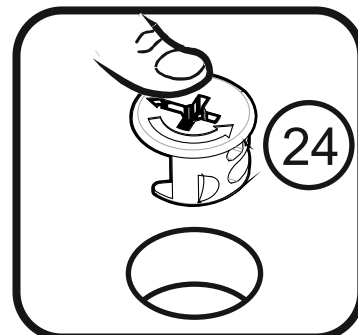
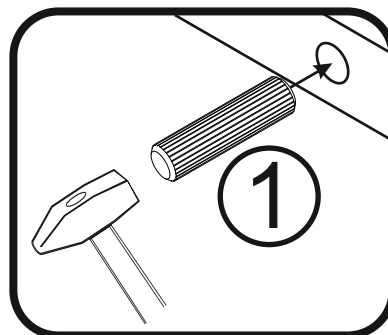
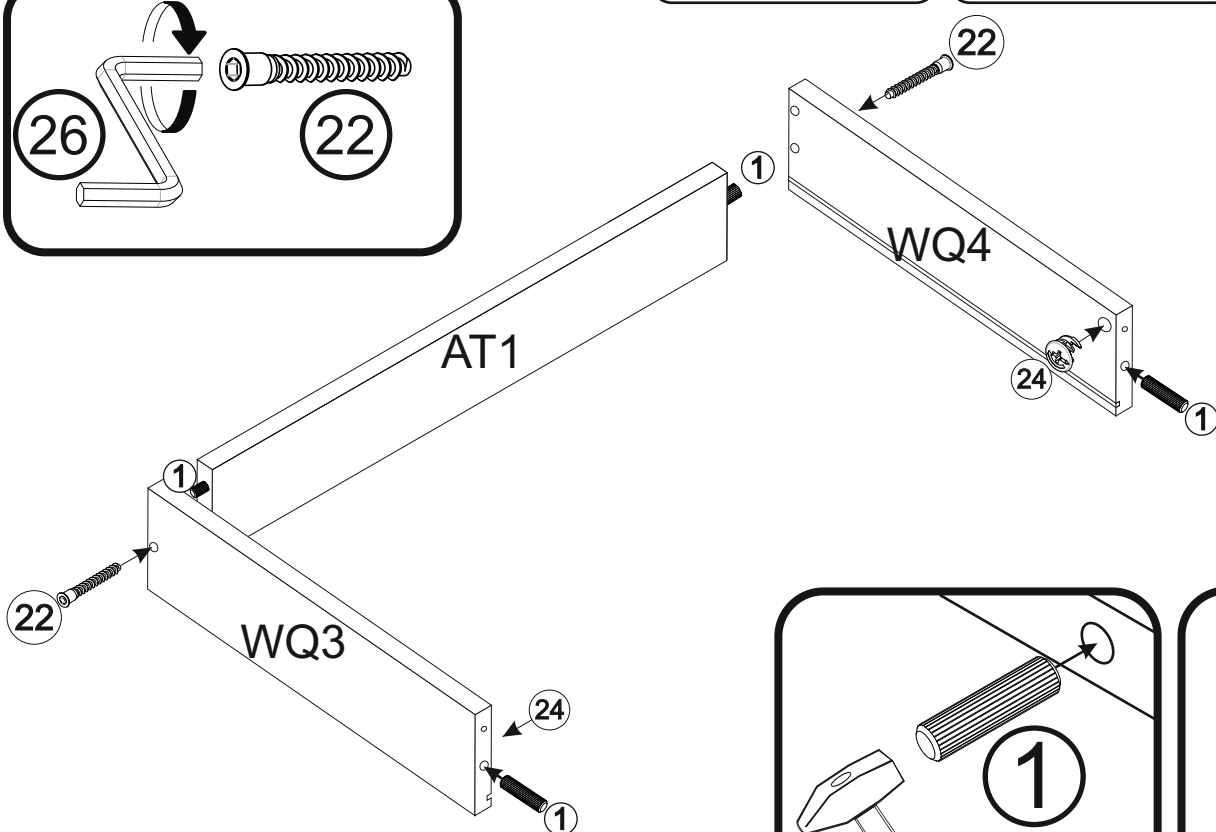
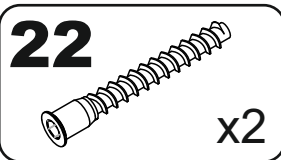
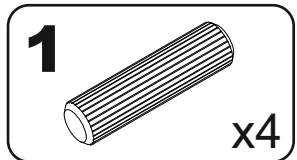
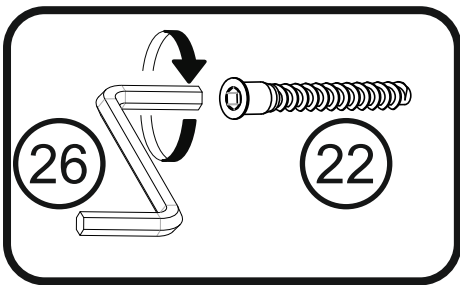




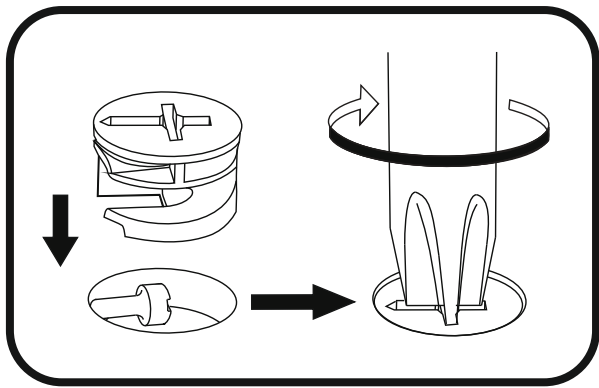
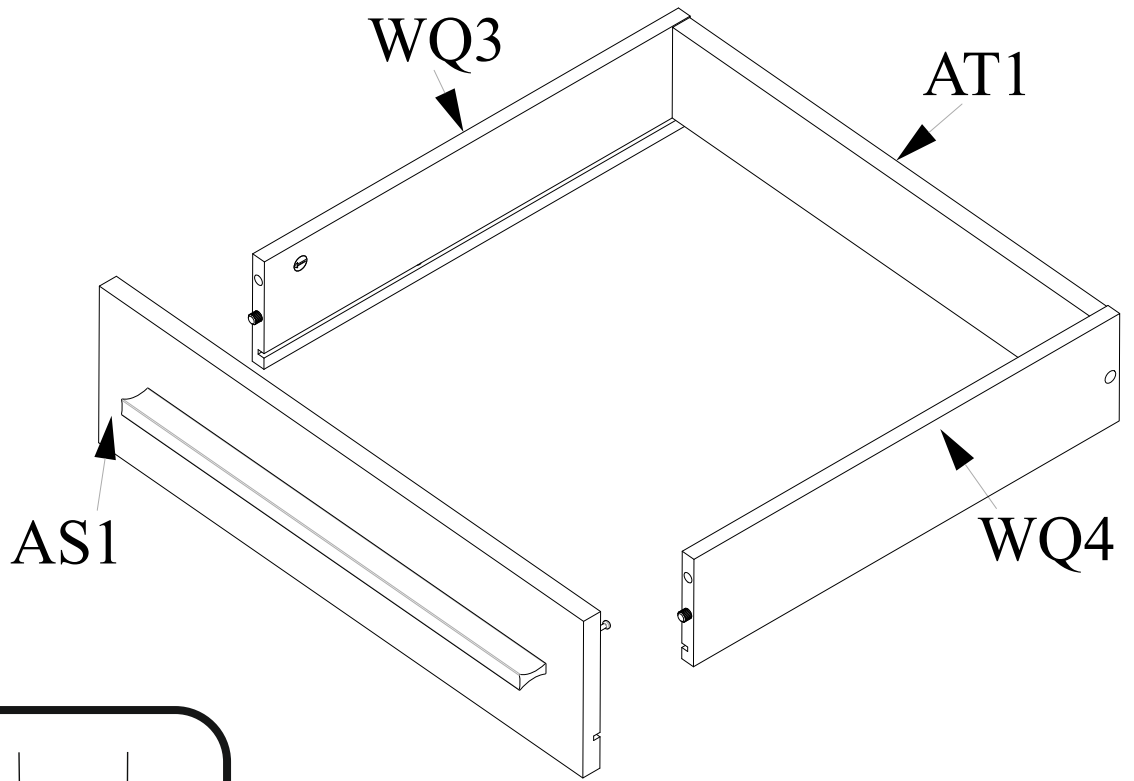
# 9



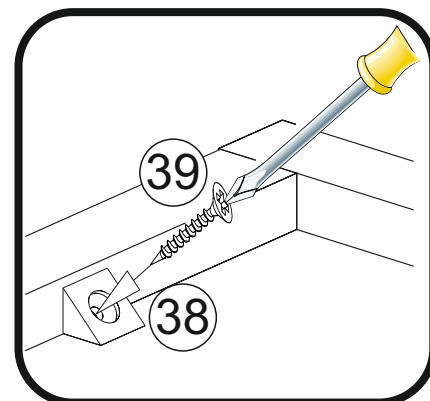
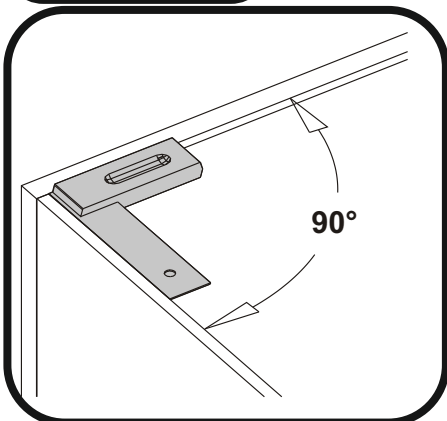
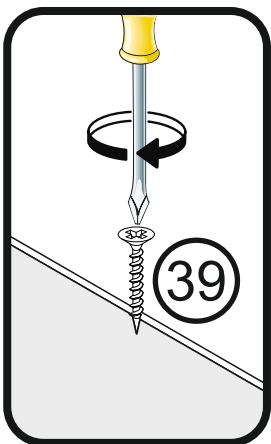
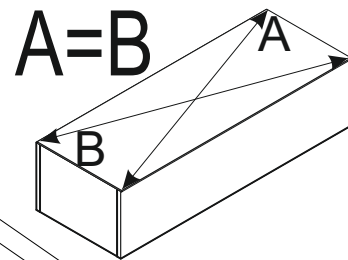
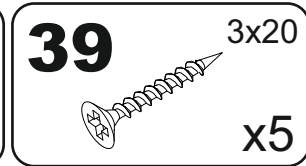
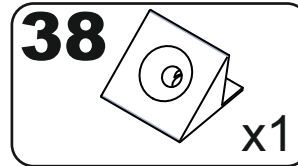
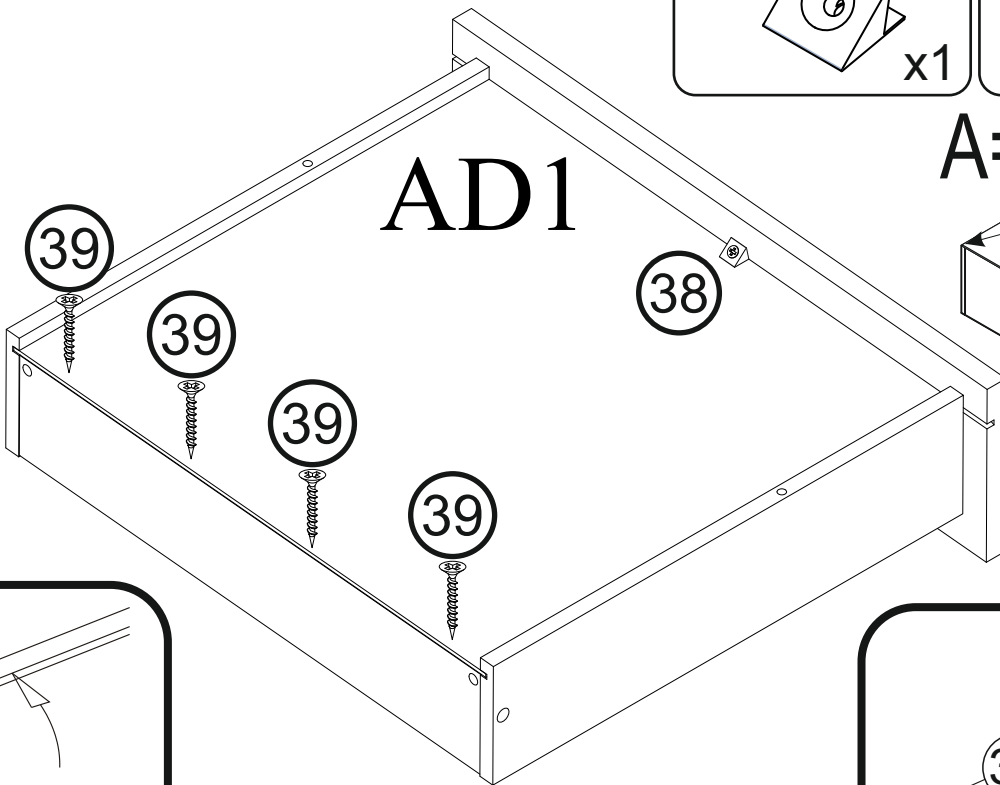
# 10



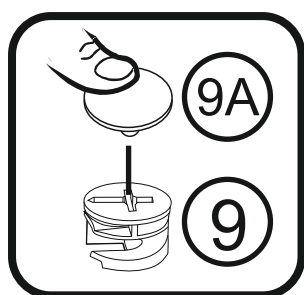
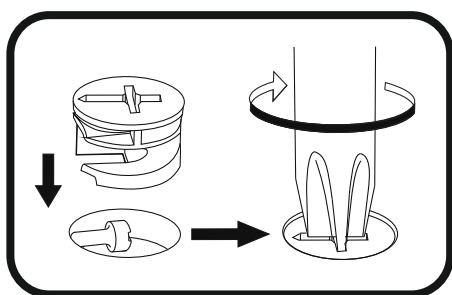
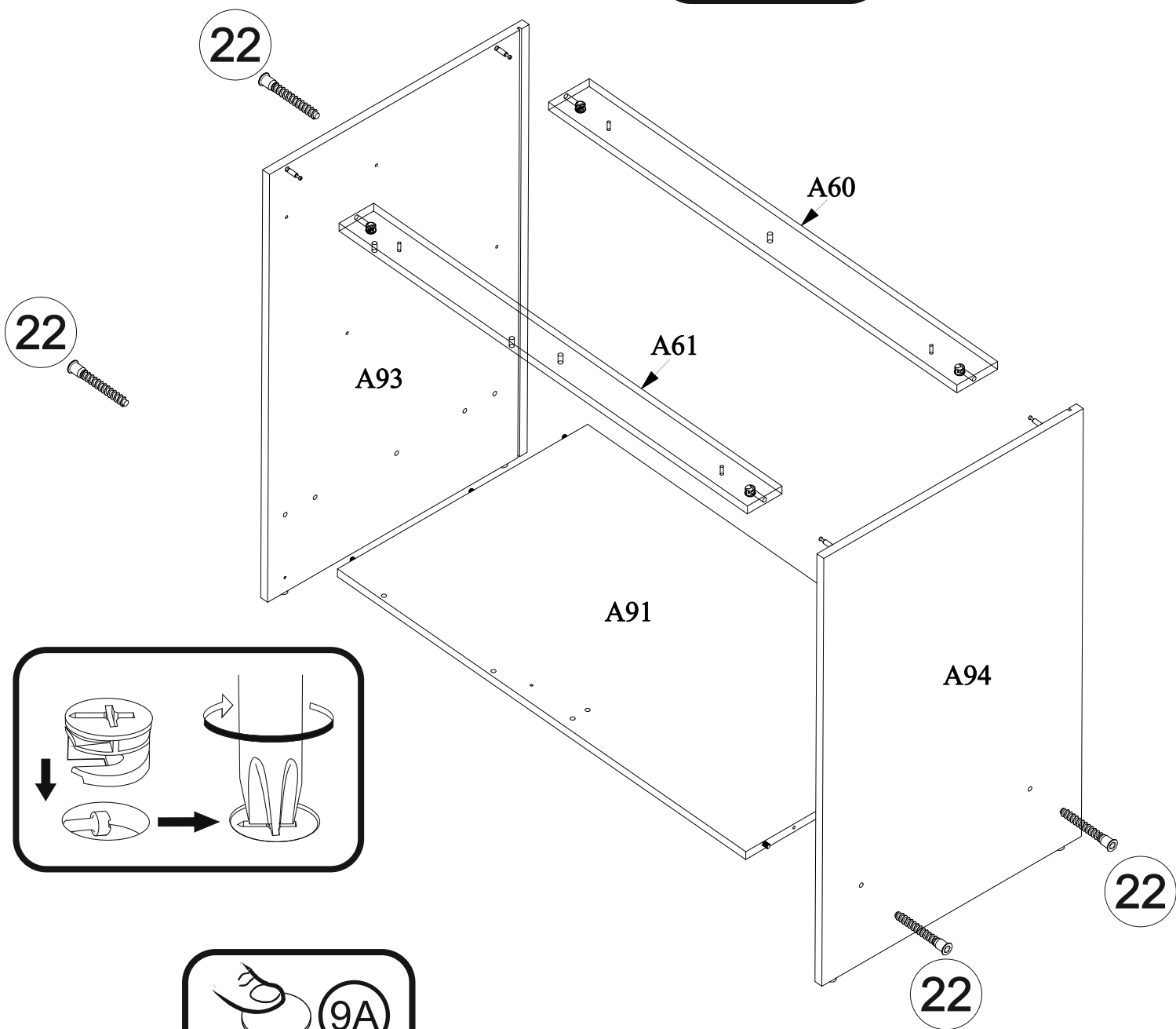
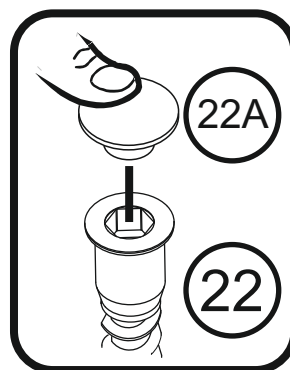
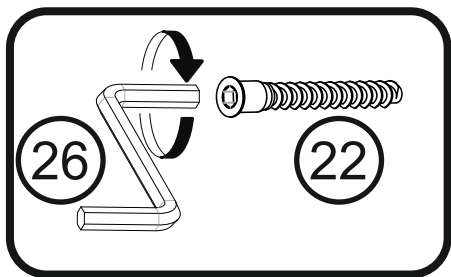
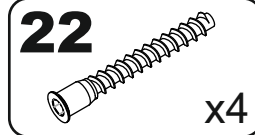
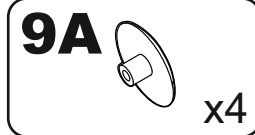
# 11



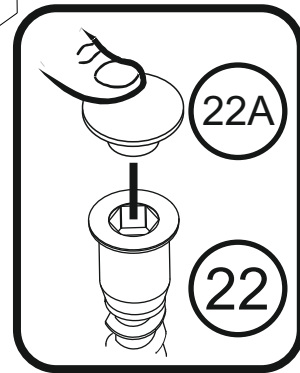
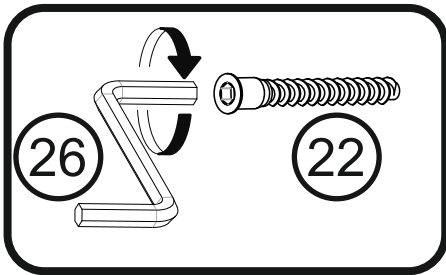
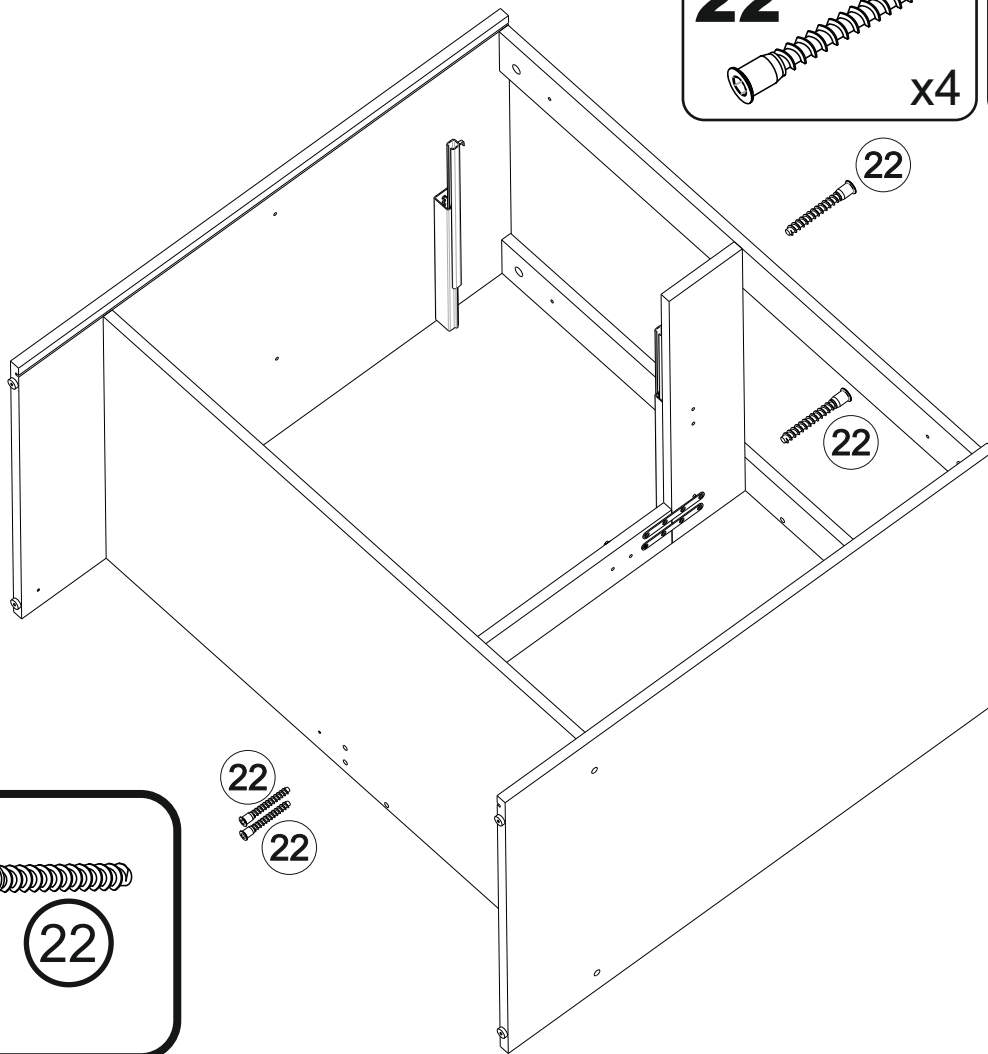
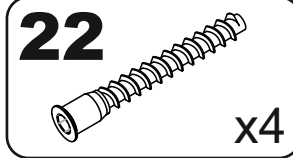
# 12



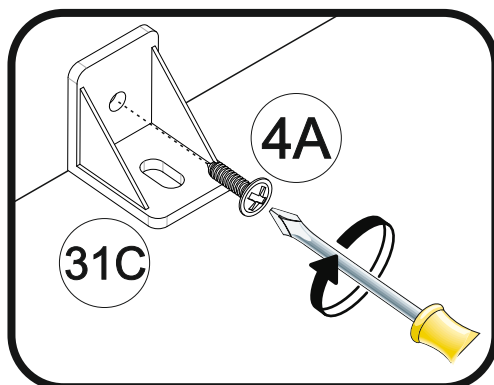
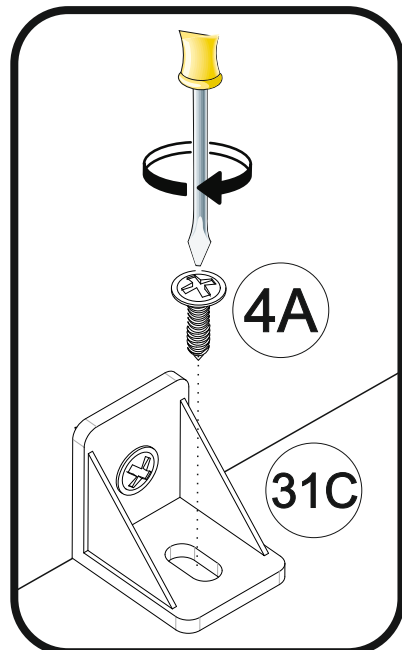
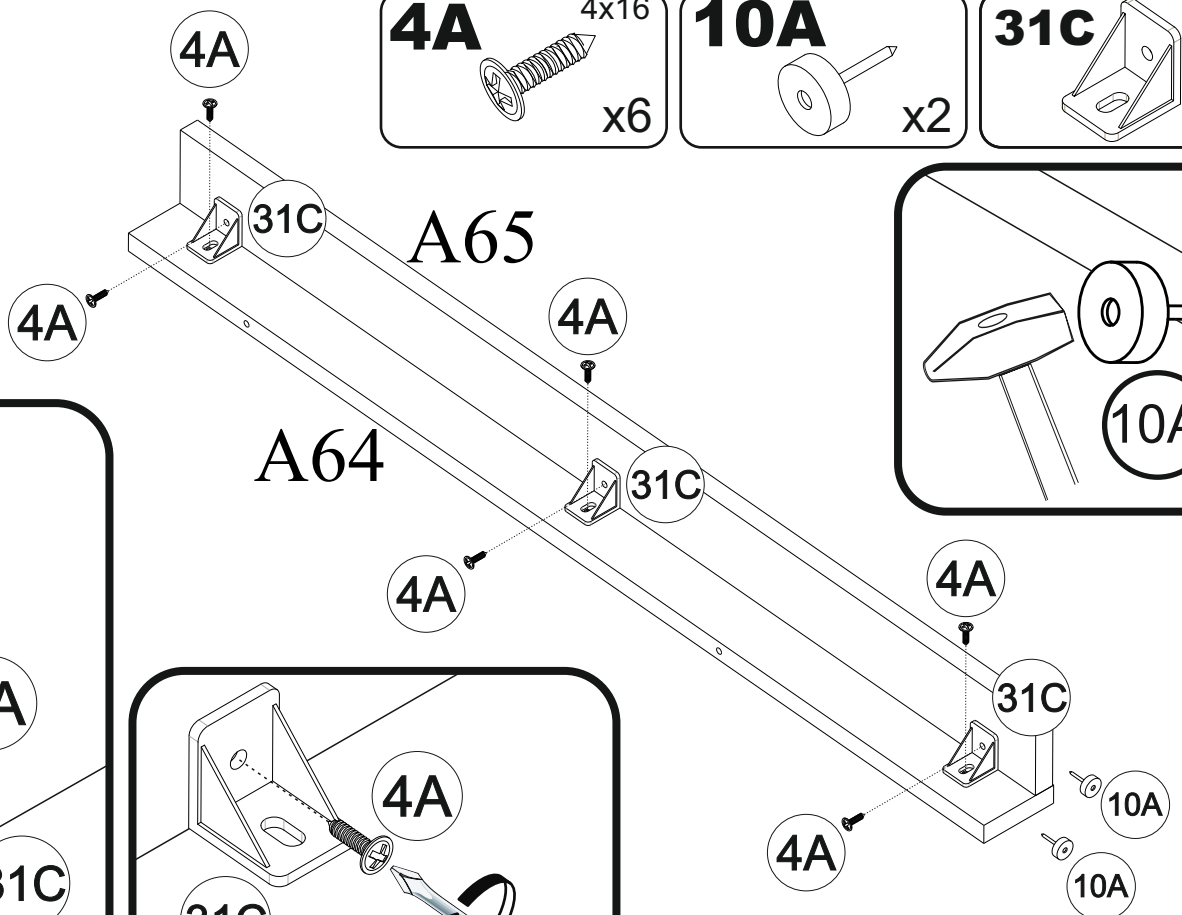
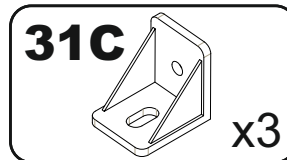
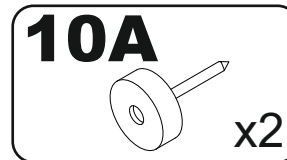
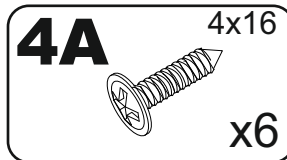
# 13



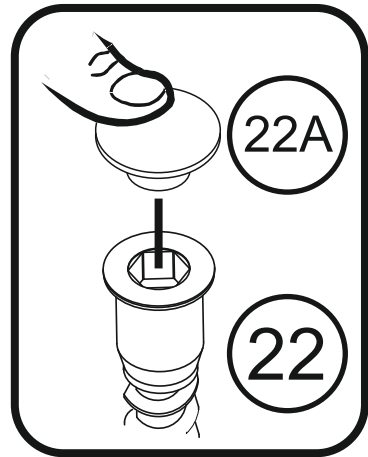
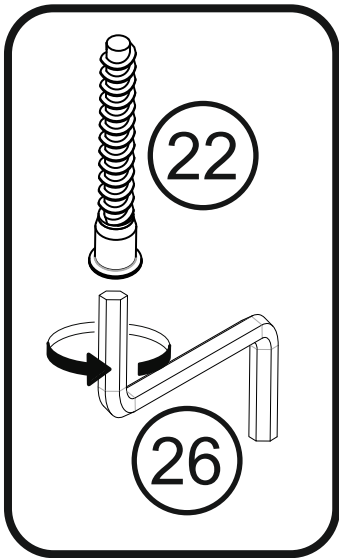
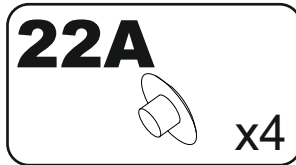
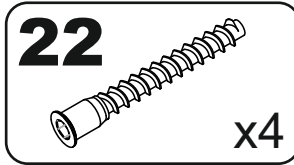
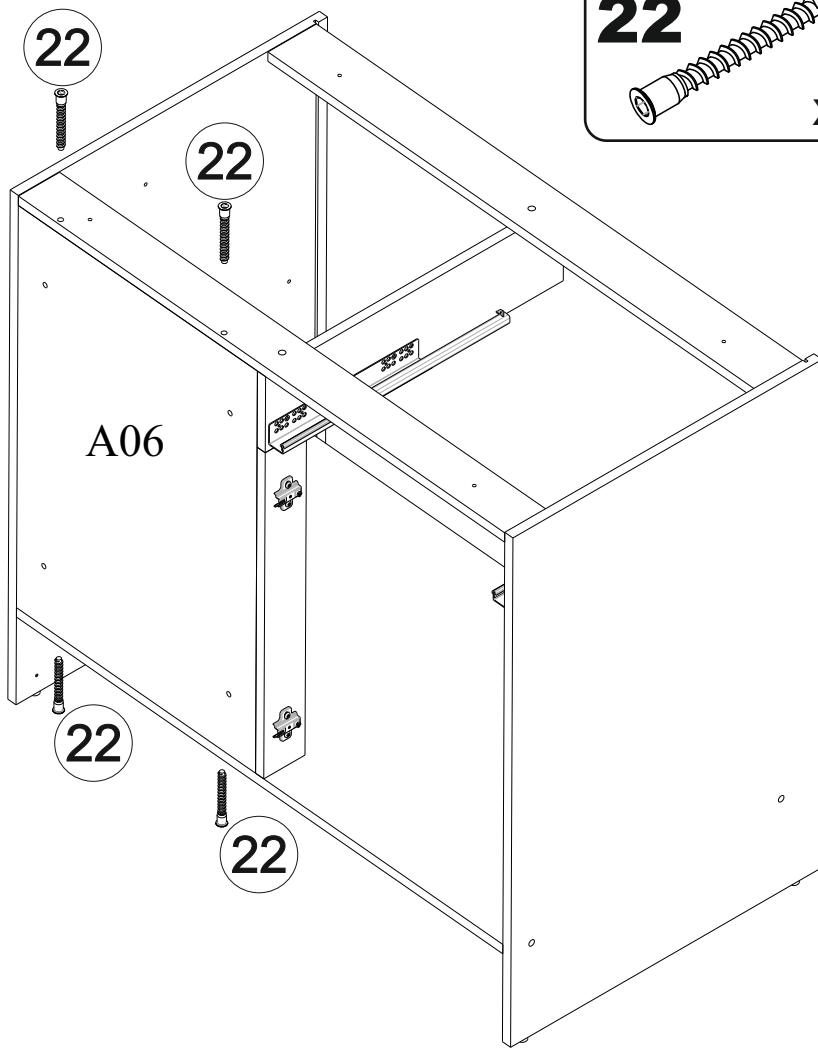
# 14



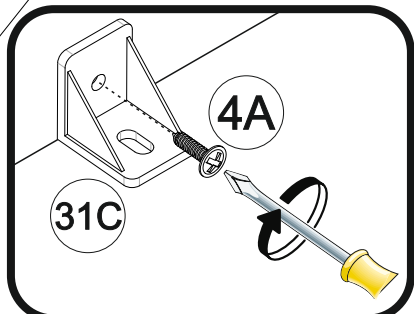
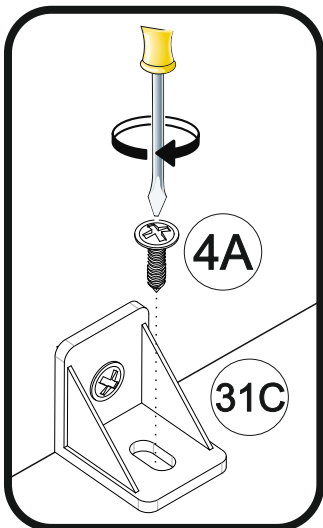
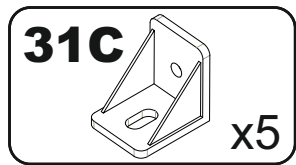
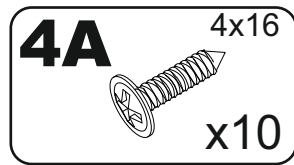
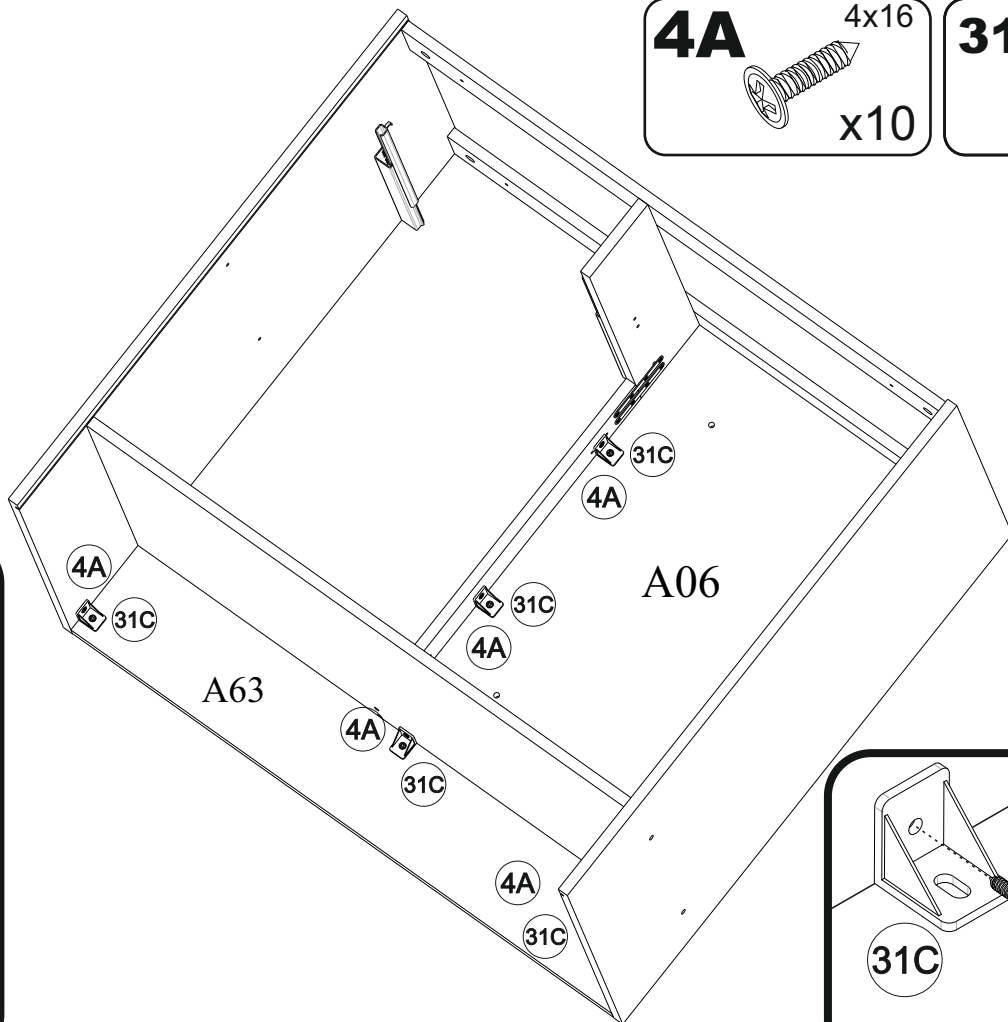
# 15



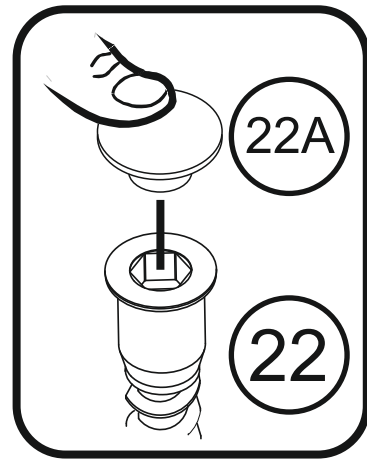
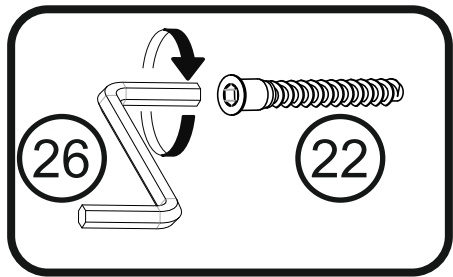
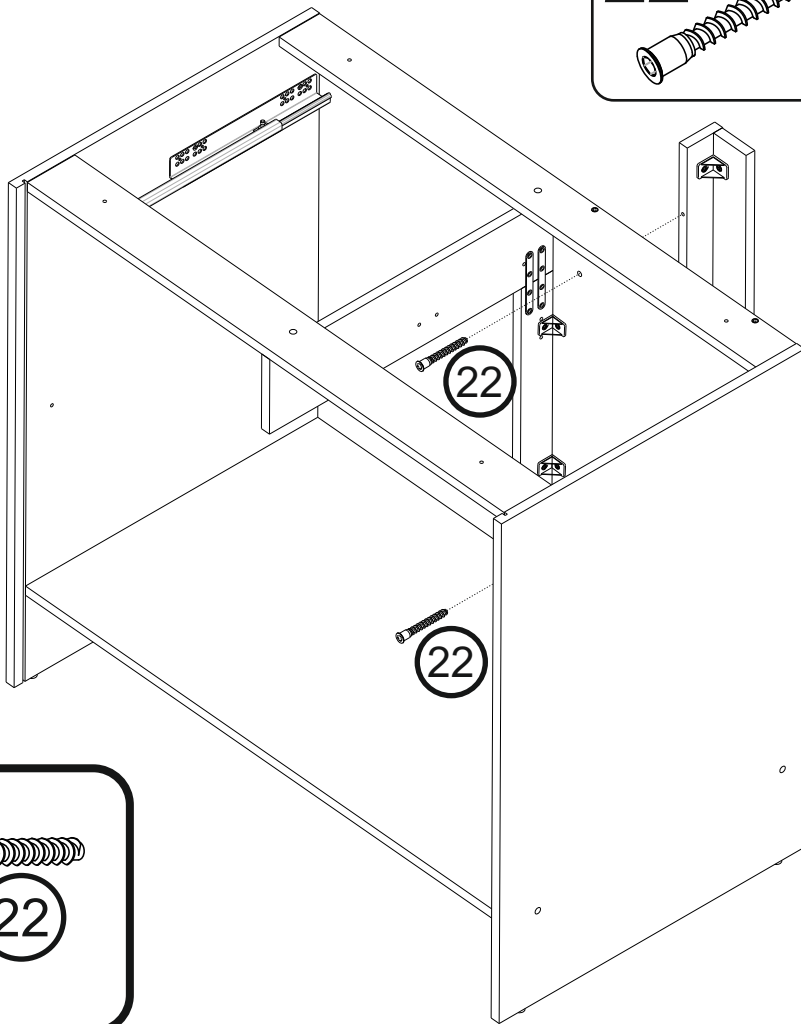
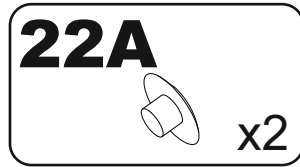
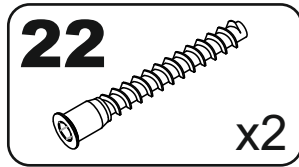
# 16



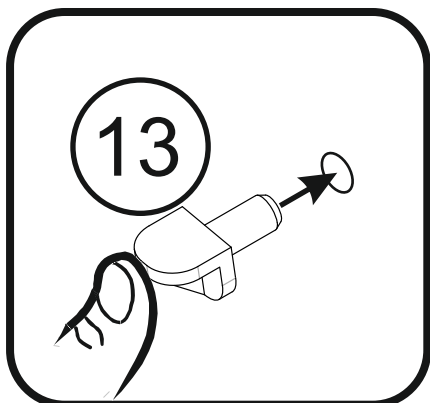
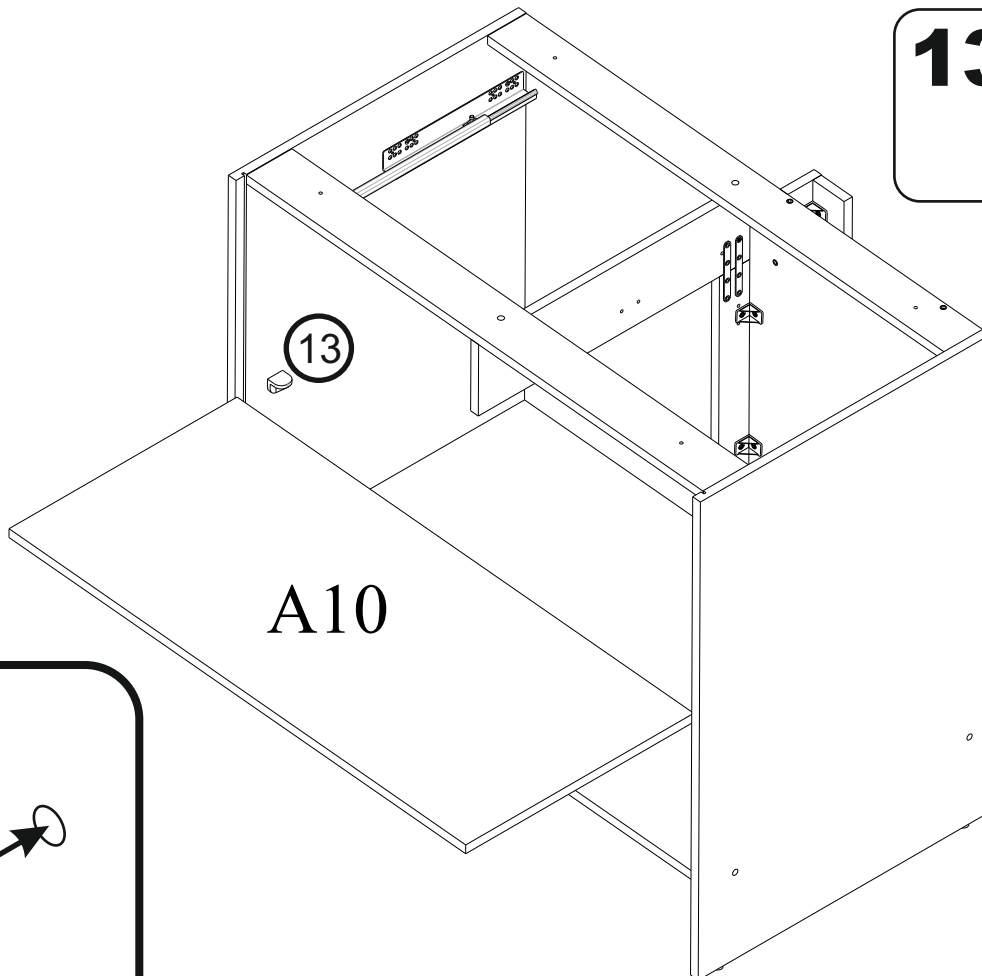
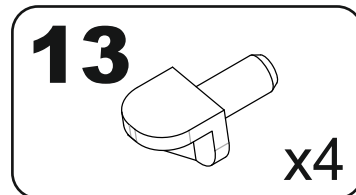
# 17



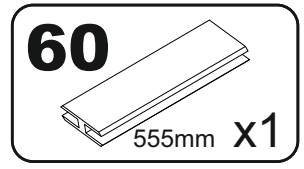
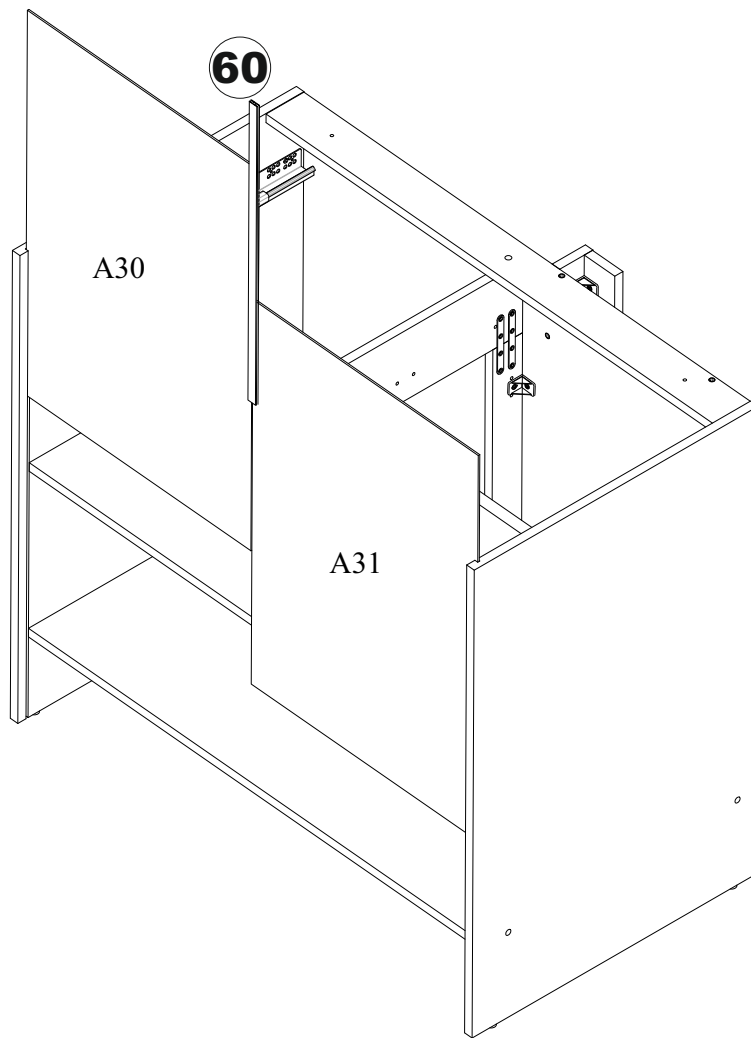
# 18



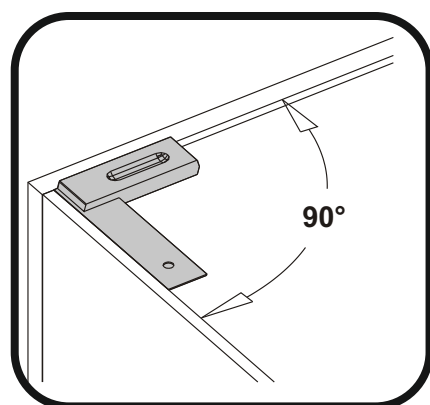
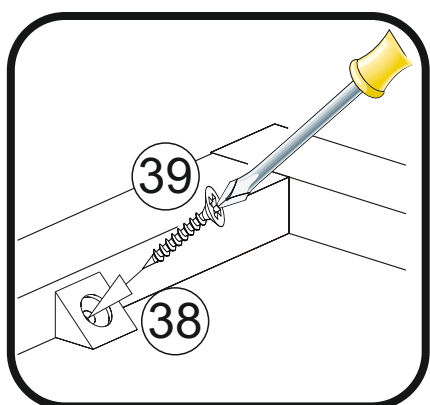
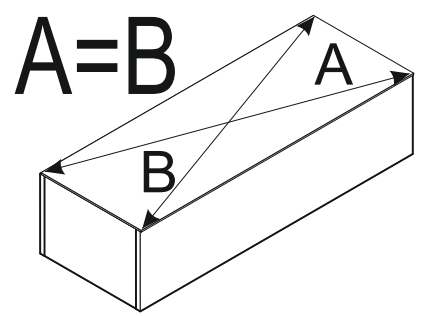
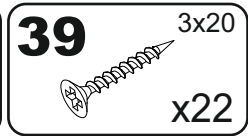
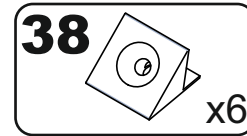
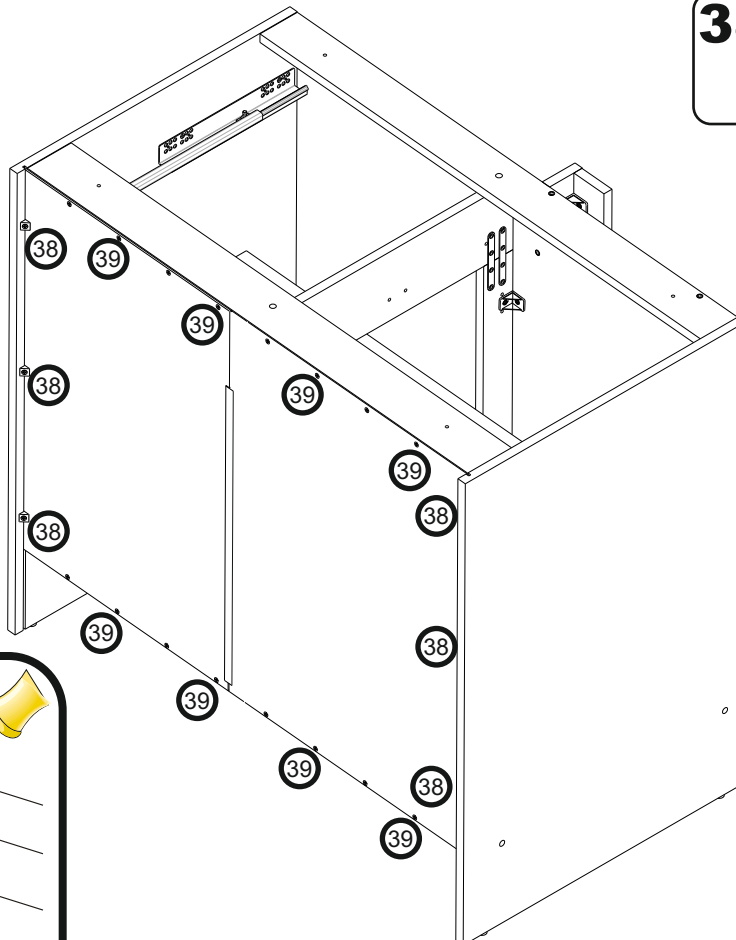
# 19



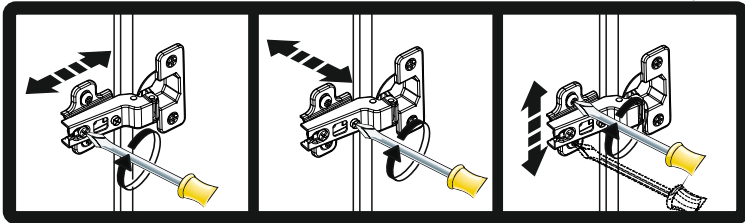
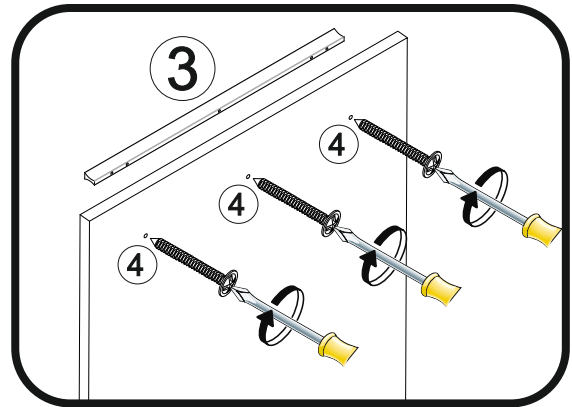
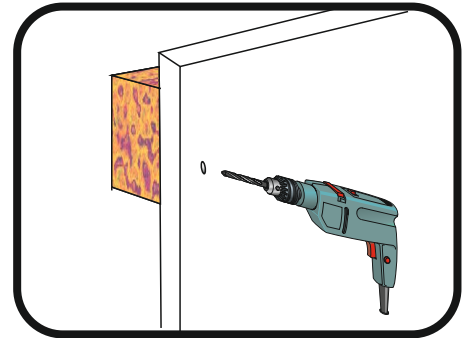
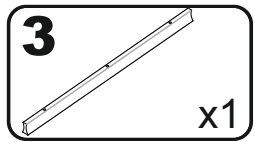
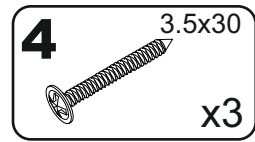
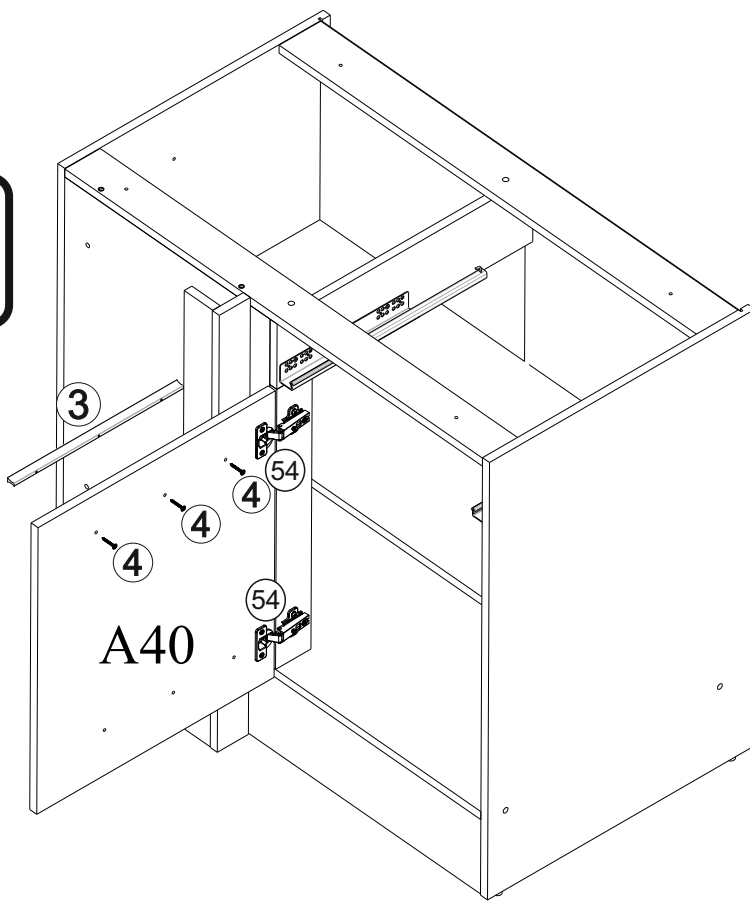
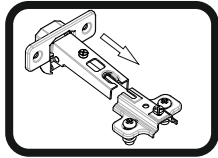
# 20



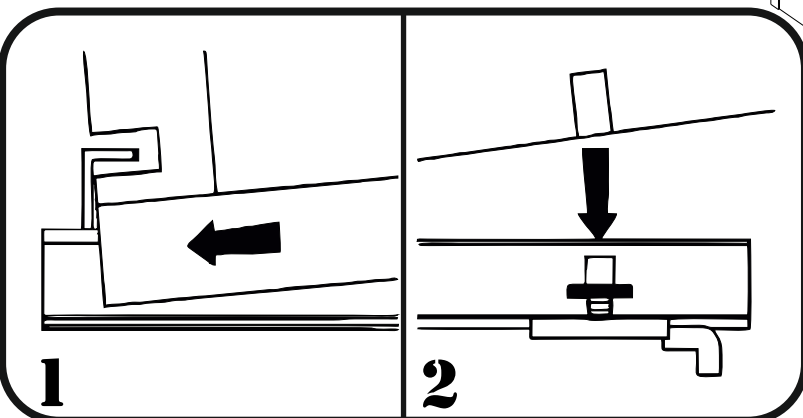
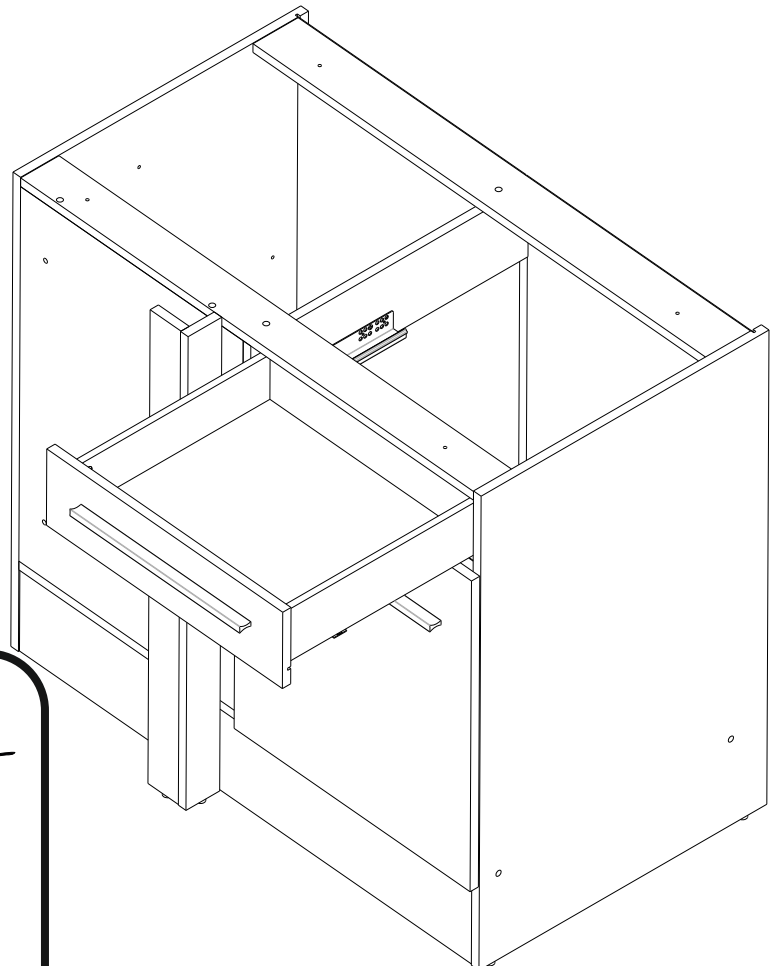
# 21



# 22

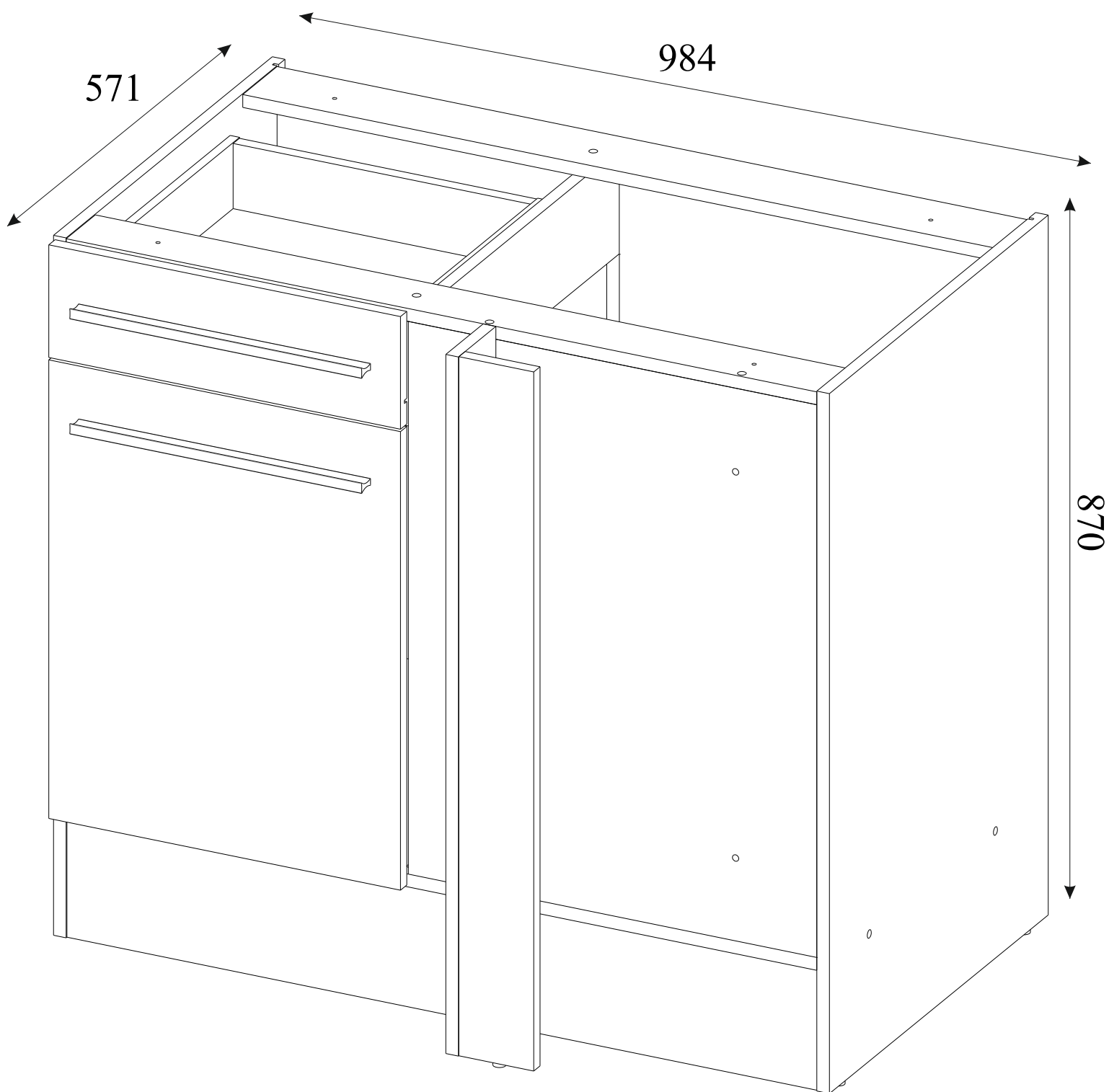


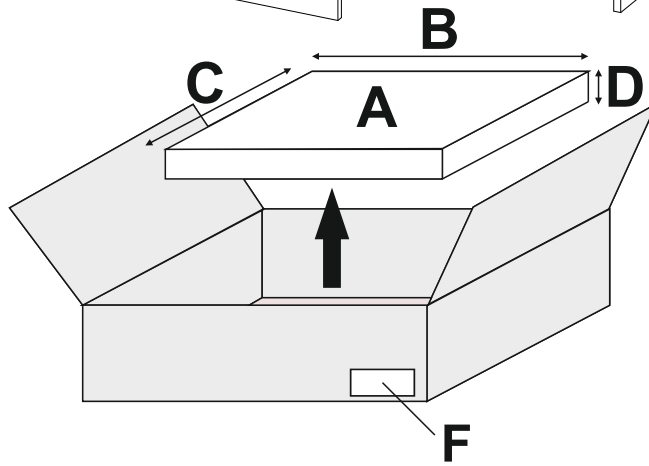
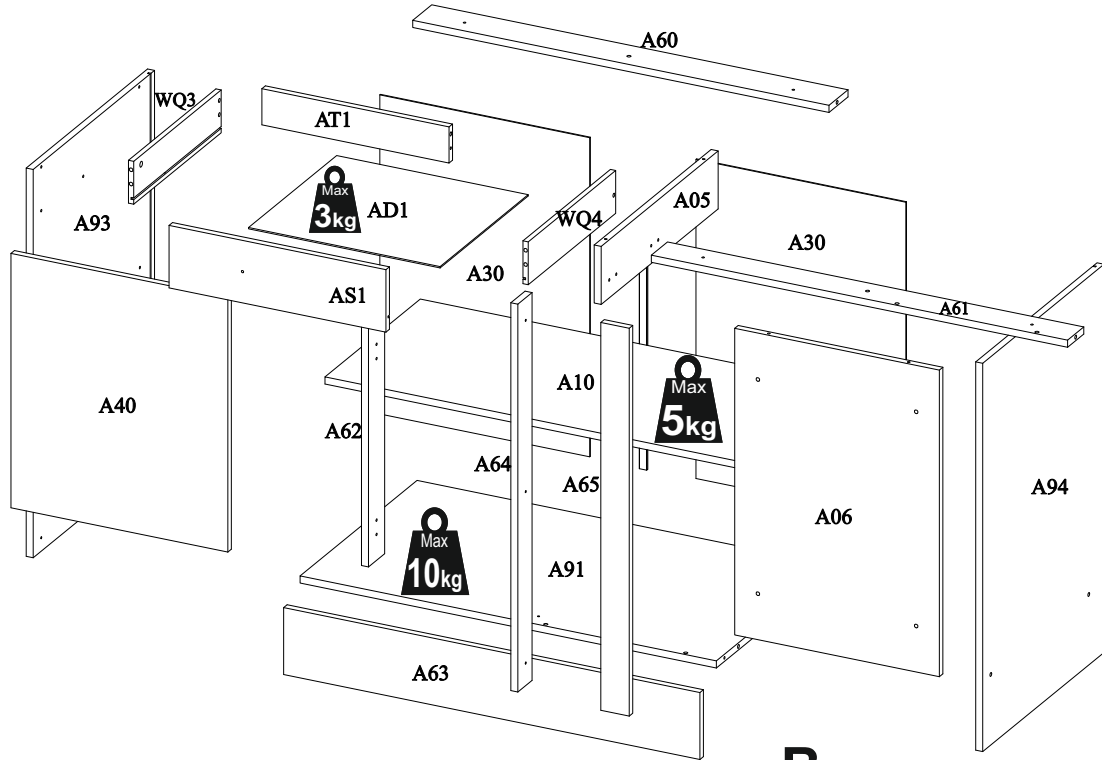
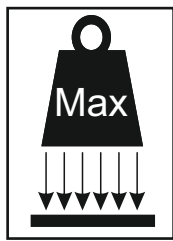
# 23





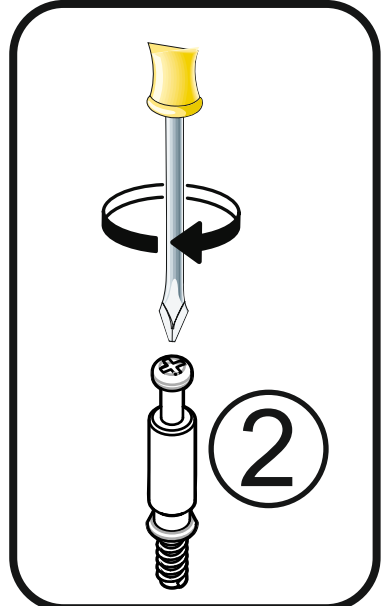
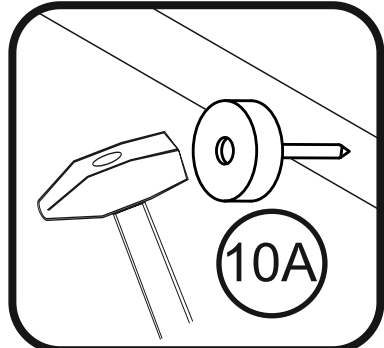
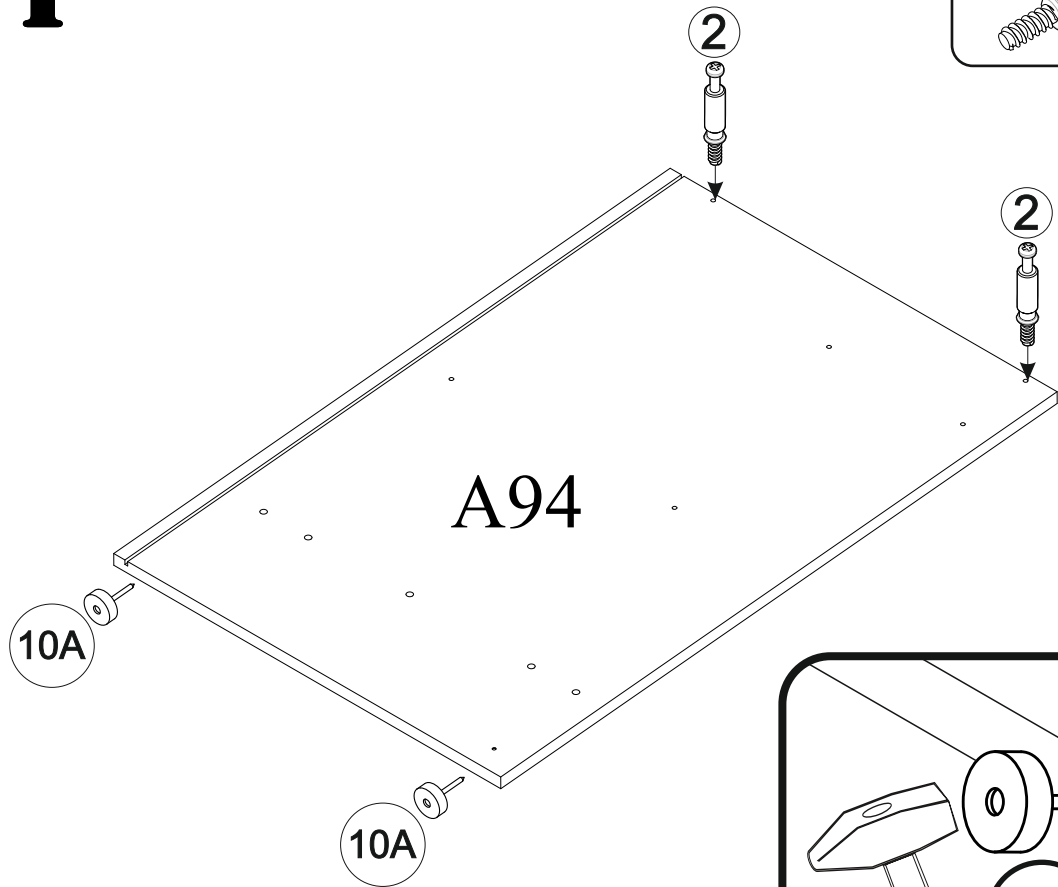
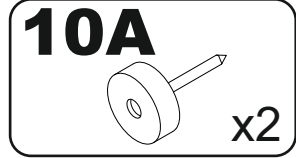
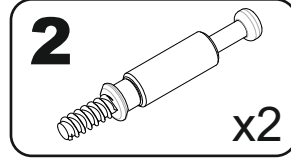
# B. - PRAVÁ



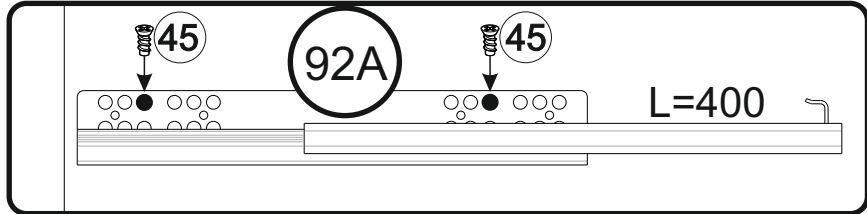
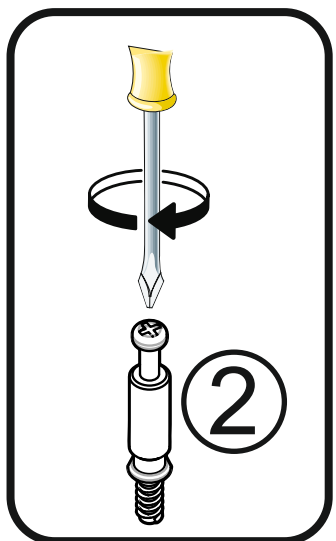
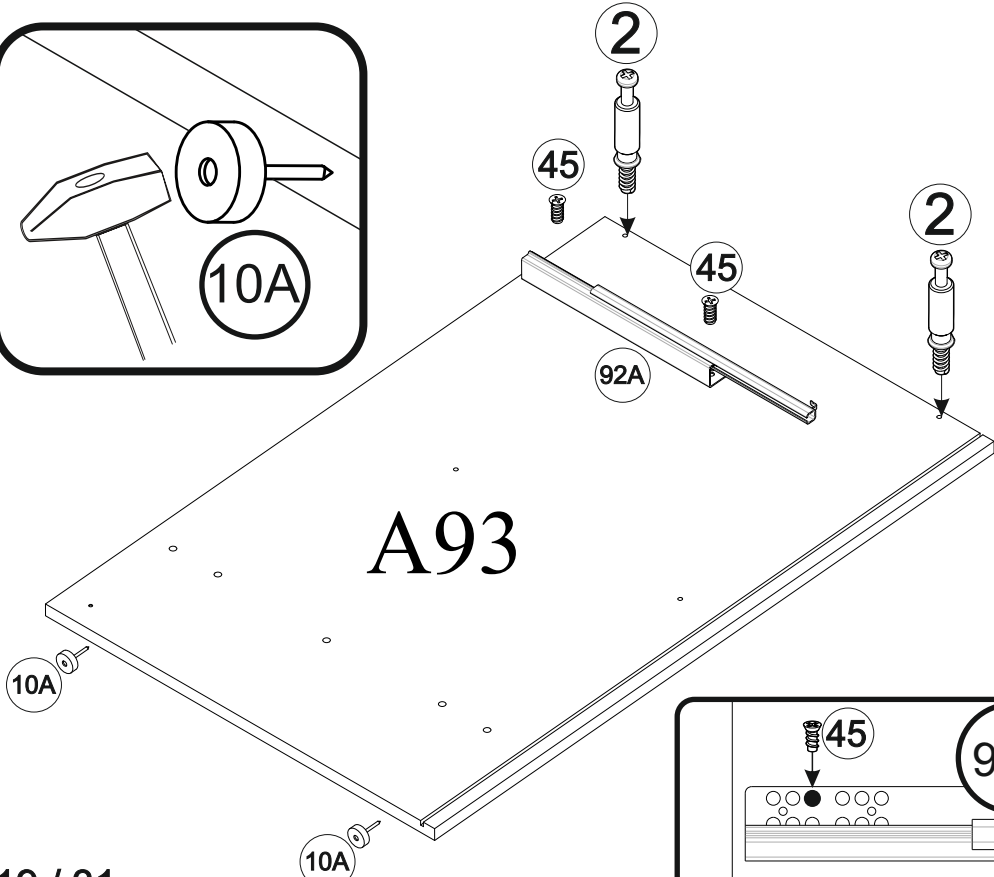
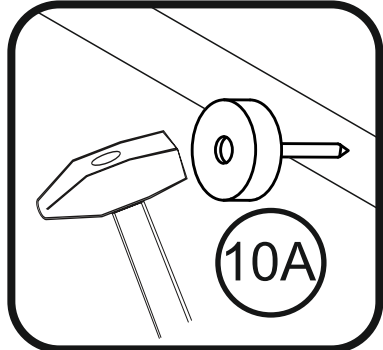
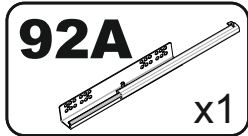
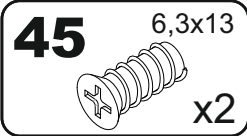
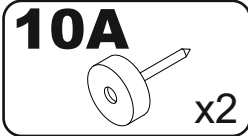
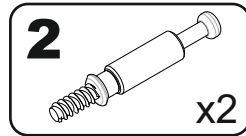


A	B (mm)	C (mm)	D (mm)	E	F
A91	952	535	16	1	2 2
A93	870	555	16	1	2 2
A94	870	555	16	1	2 2
A05	535	130	16	1	2 2
A06	687	518	16	1	2 2
A10	952	436	16	1	2 2
A30	715	430	3	2	2 2
A31	715	530	3	2	2 2
A40	570	446	16	1	2 2
A60	952	87	16	1	2 2
A61	952	74	16	1	2 2
A62	557	74	16	1	2 2
A63	952	150	16	1	2 2
A64	869	95	16	1	2 2
A65	869	95	16	1	2 2
AD1	388	403	3	1	2 2
AS1	446	140	16	1	2 2
AT1	378	81	16	1	2 2
WQ3	400	96	12	1	2 2
WQ4	400	96	12	1	2 2
Z01	1150	600	28	1	1 2

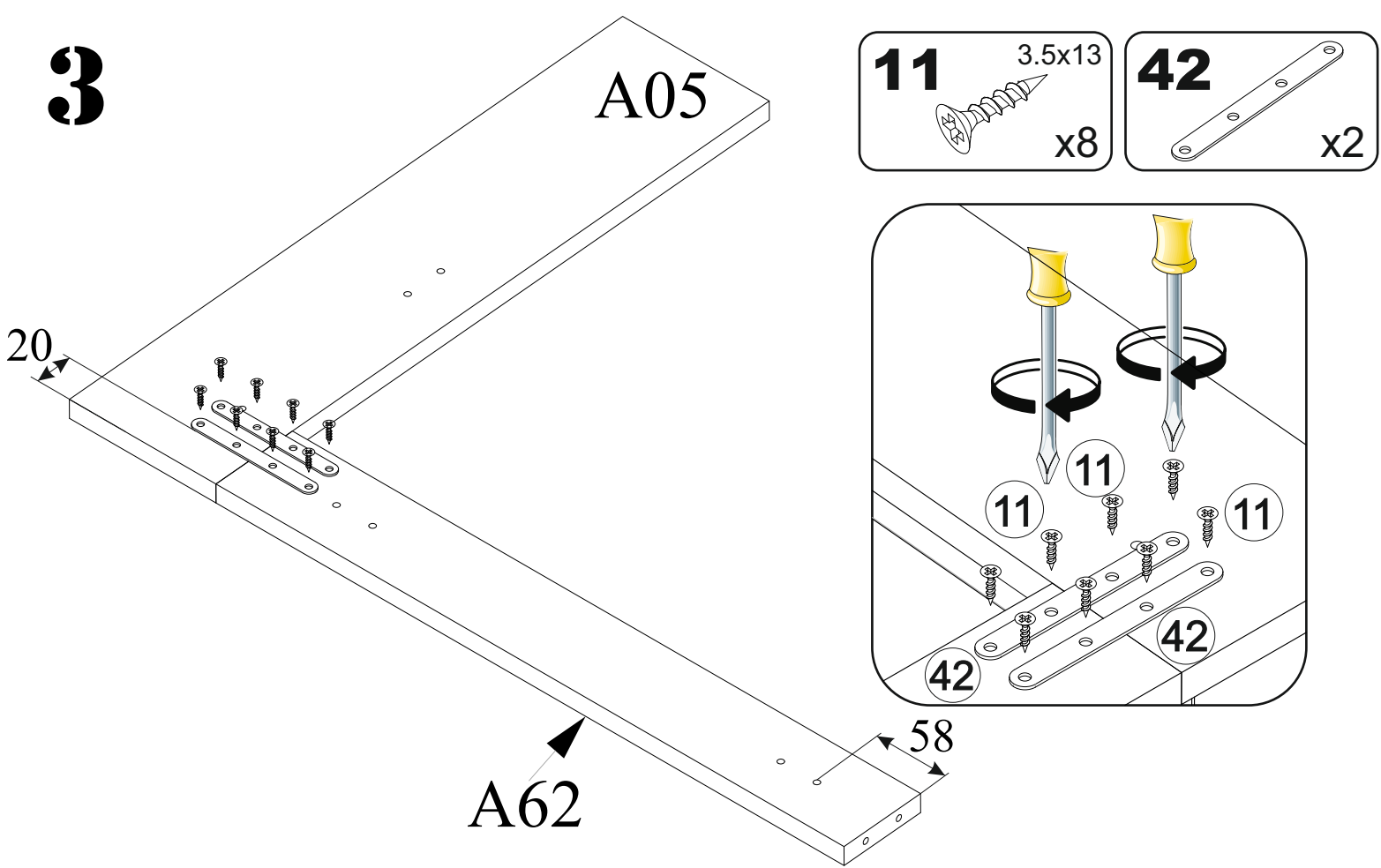
# 1



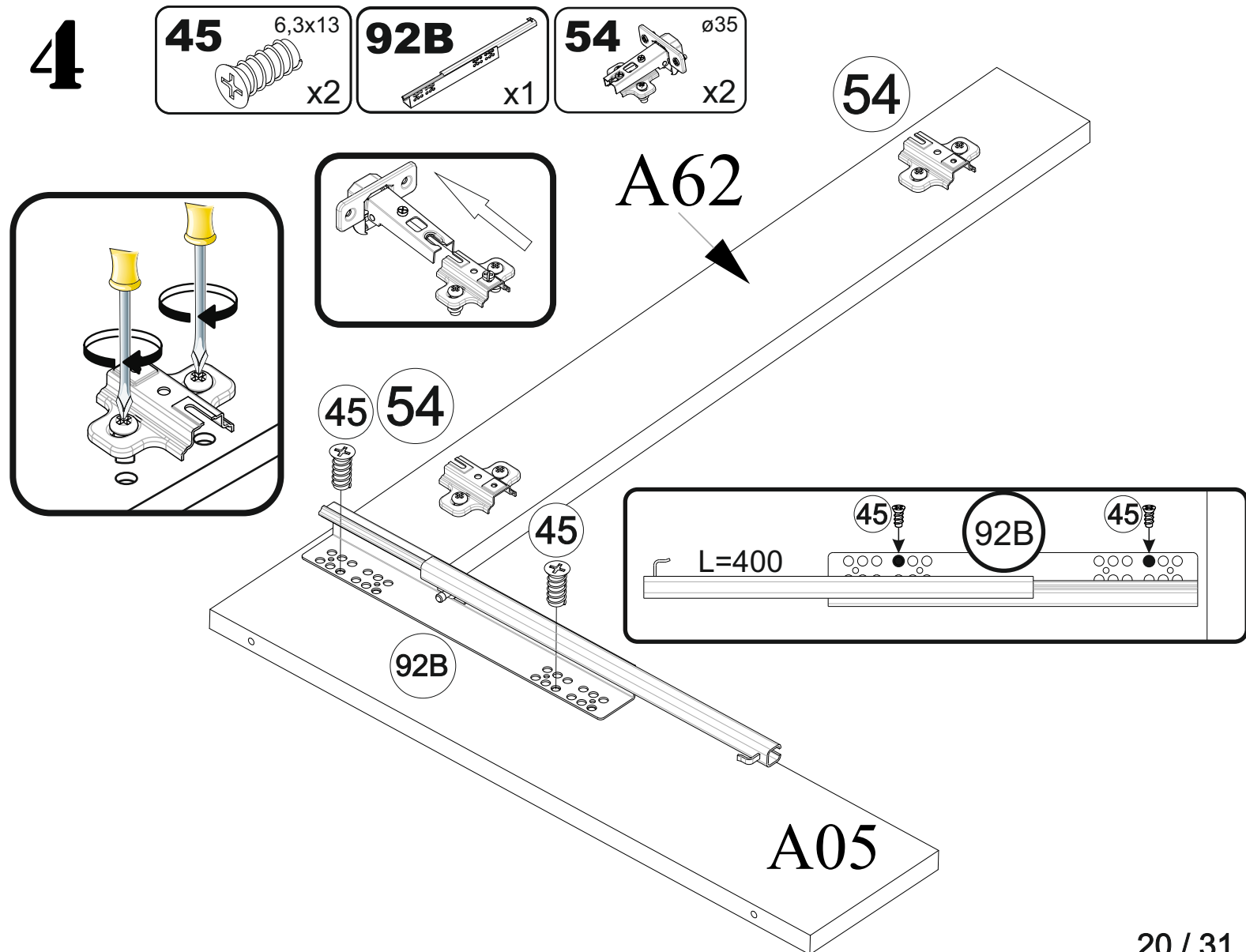
# 2



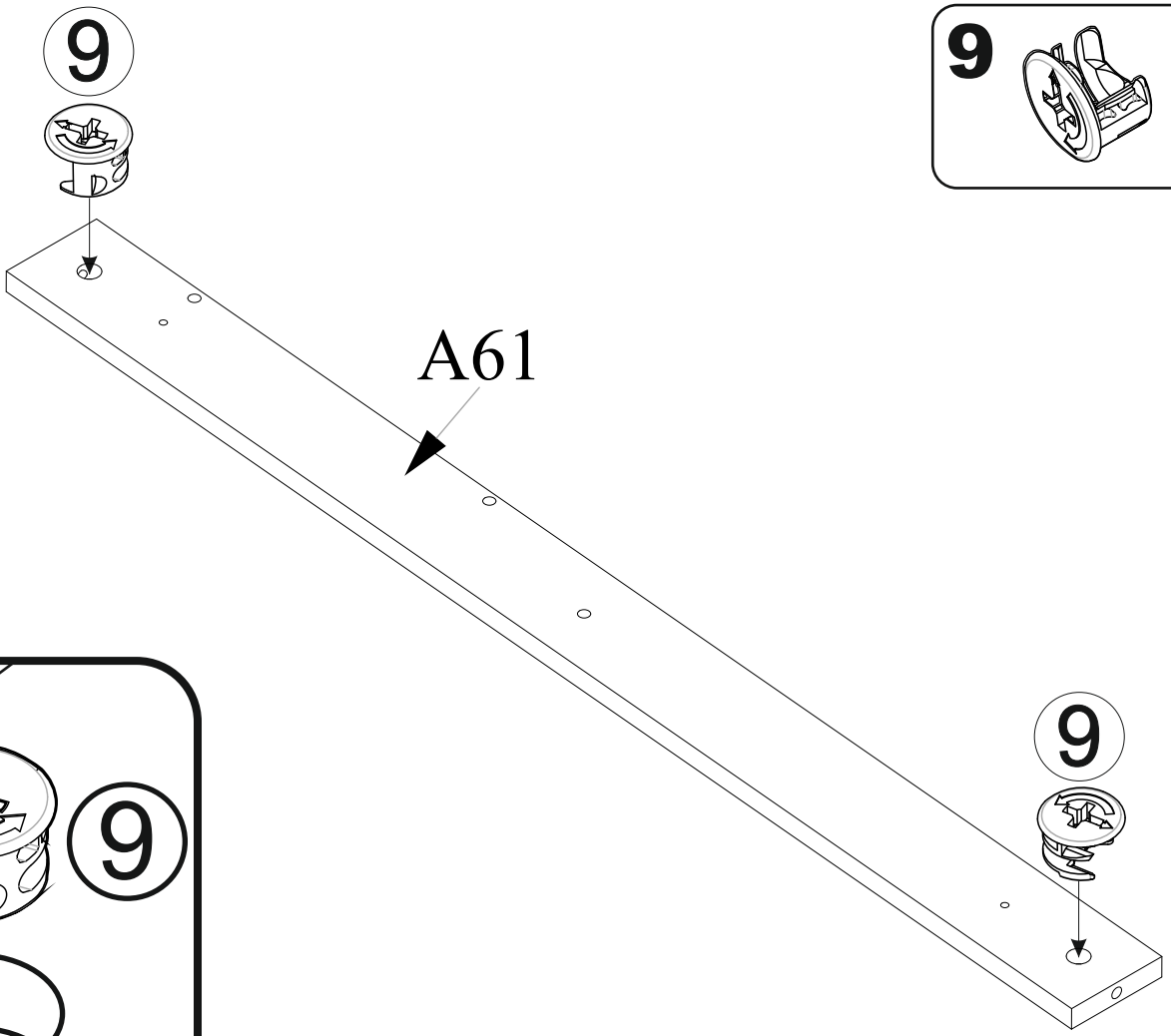
# 3



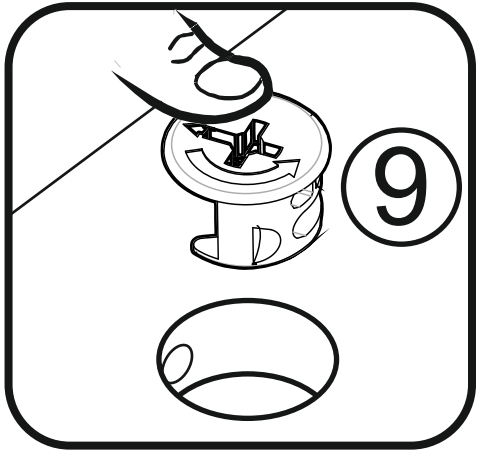
# 4



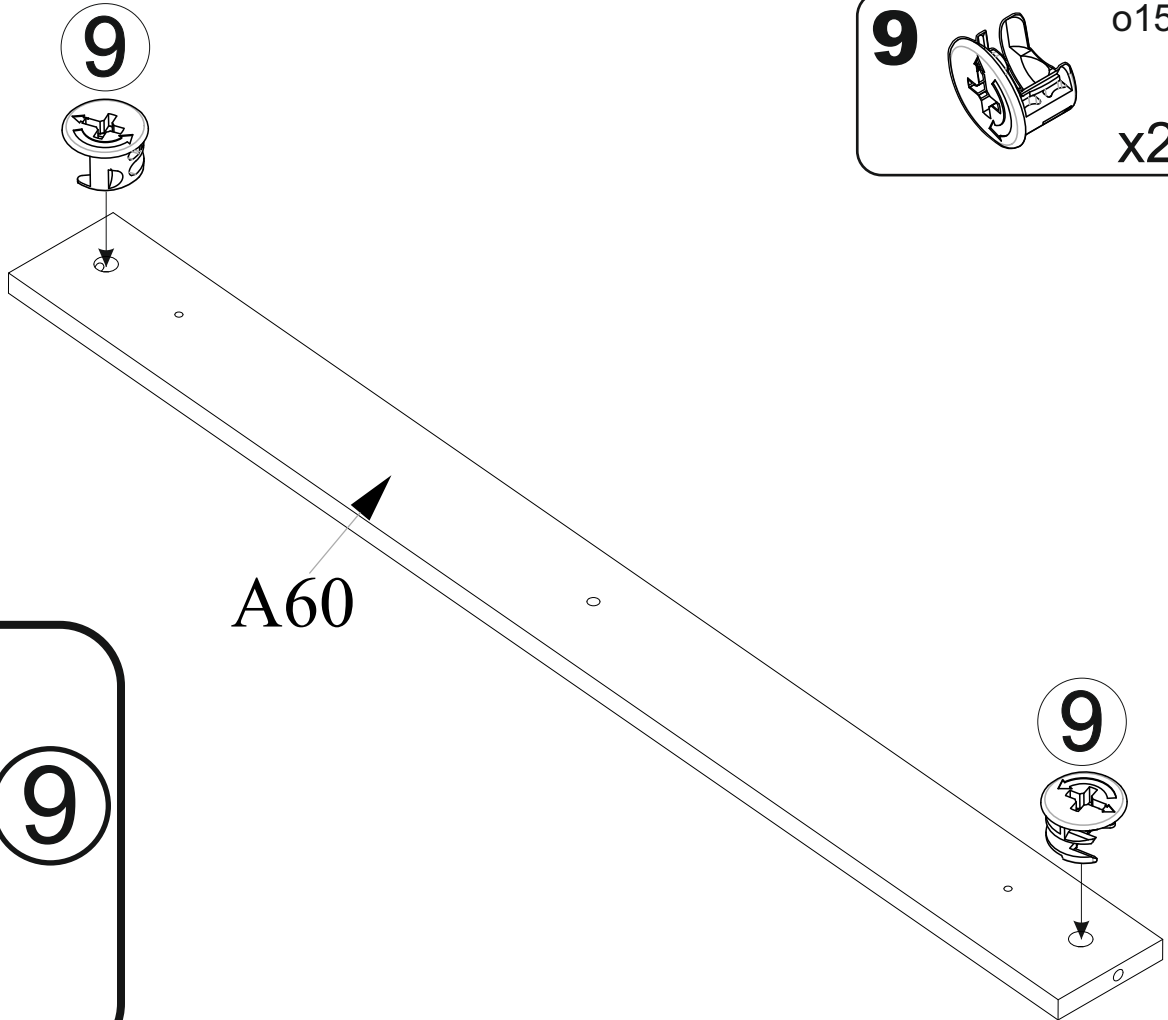
**5**



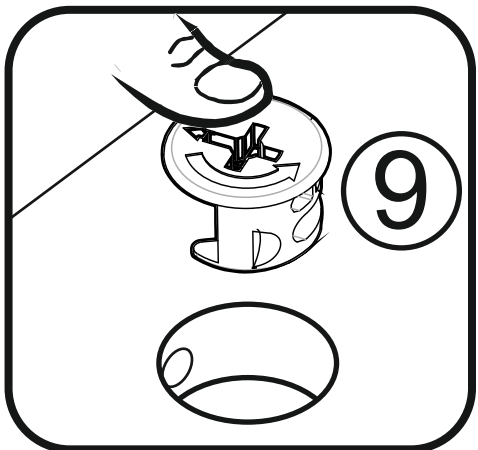
**9** o15  
x2



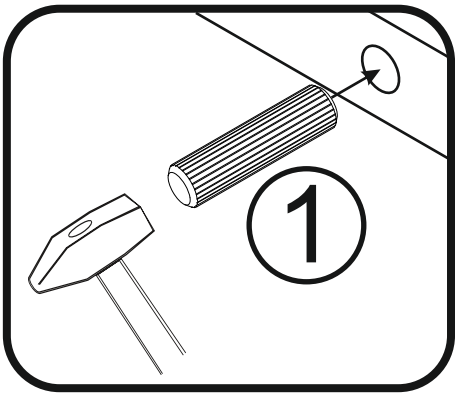
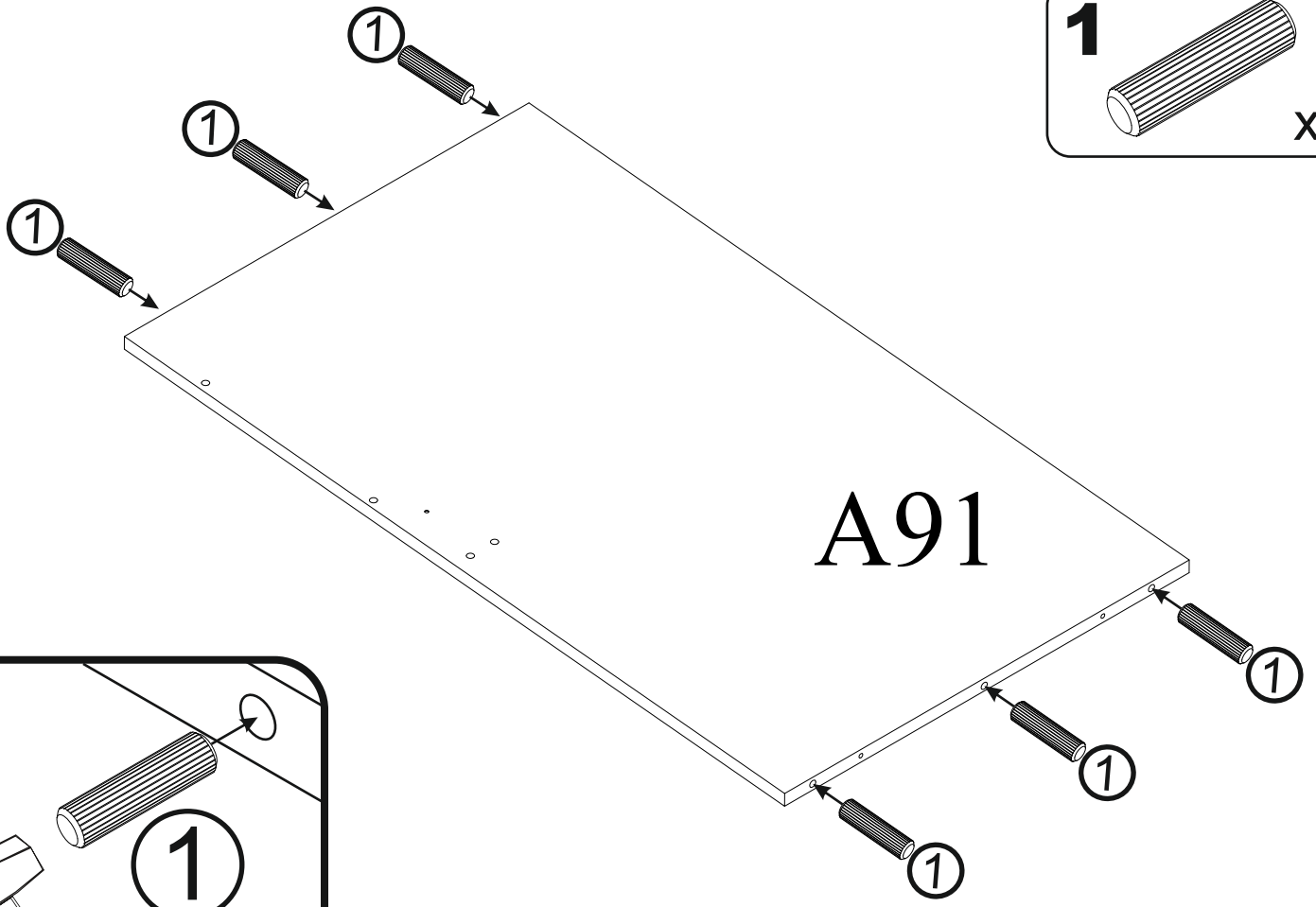
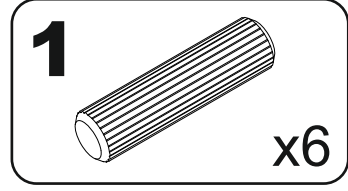
**6**



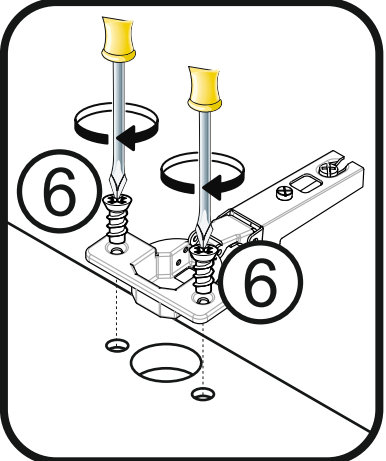
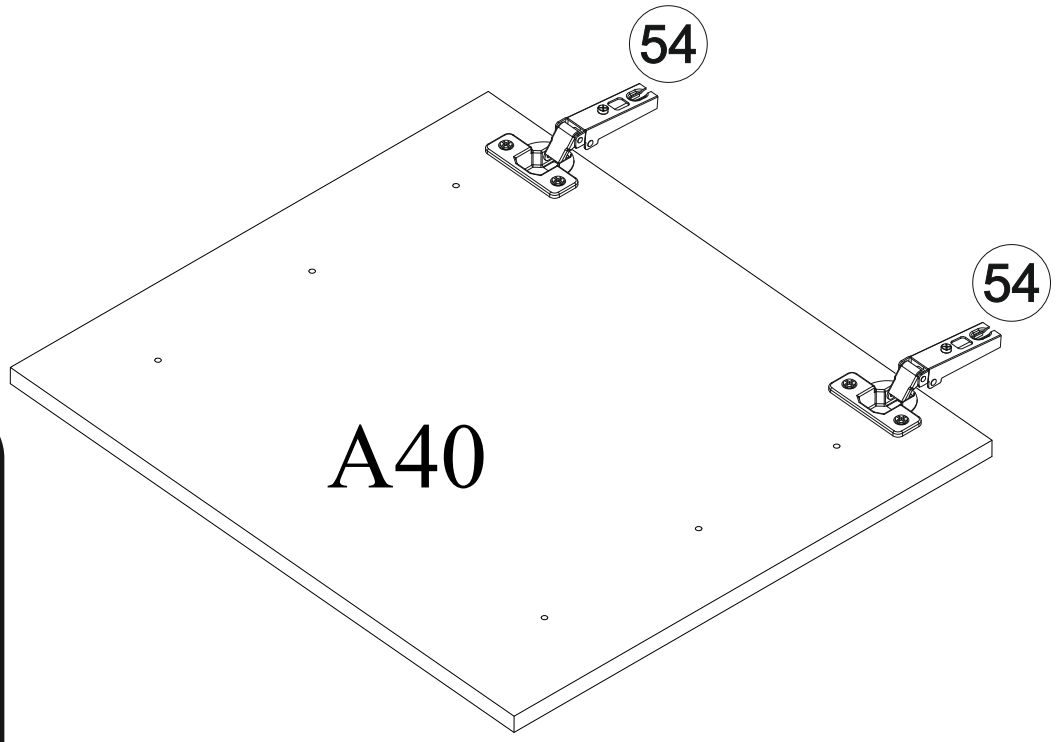
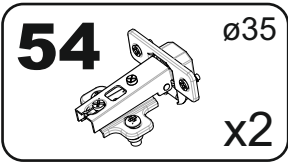
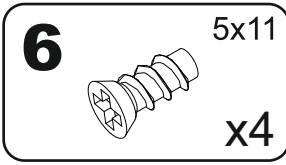
**9** o15  
x2



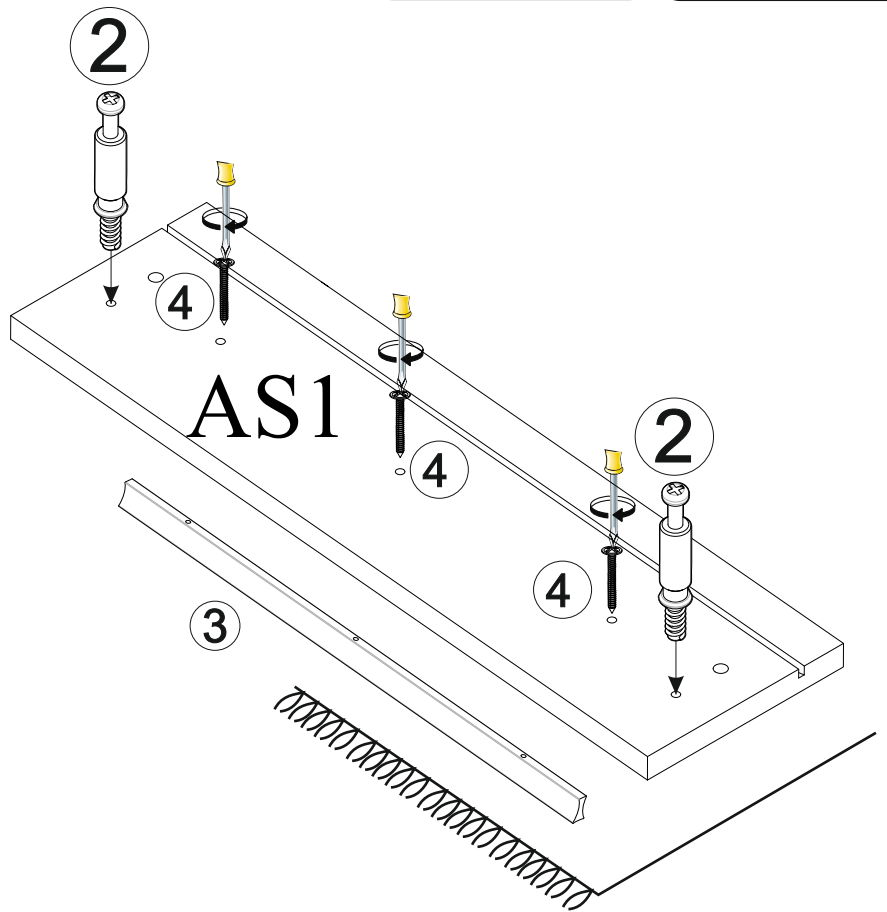
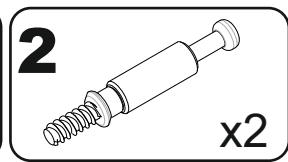
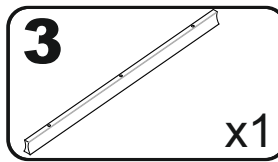
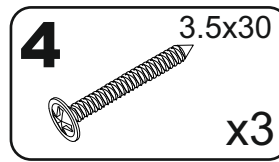
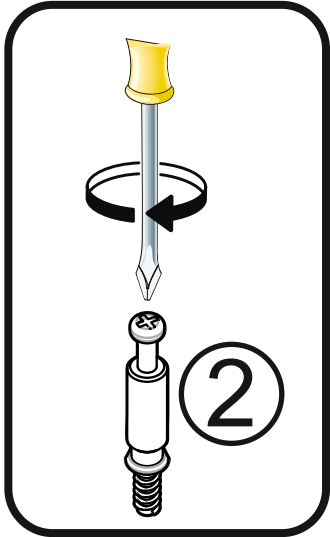
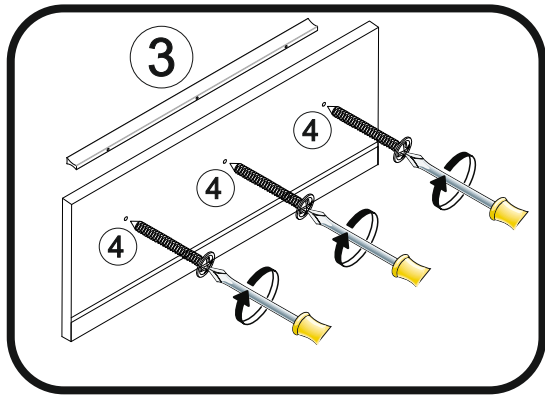
7



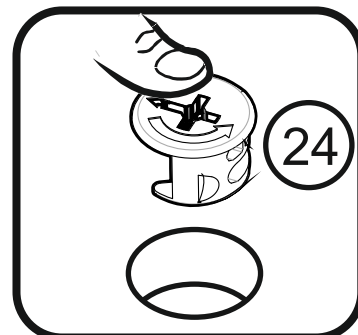
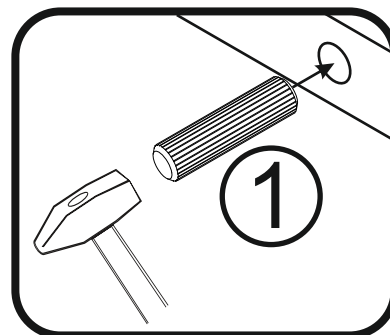
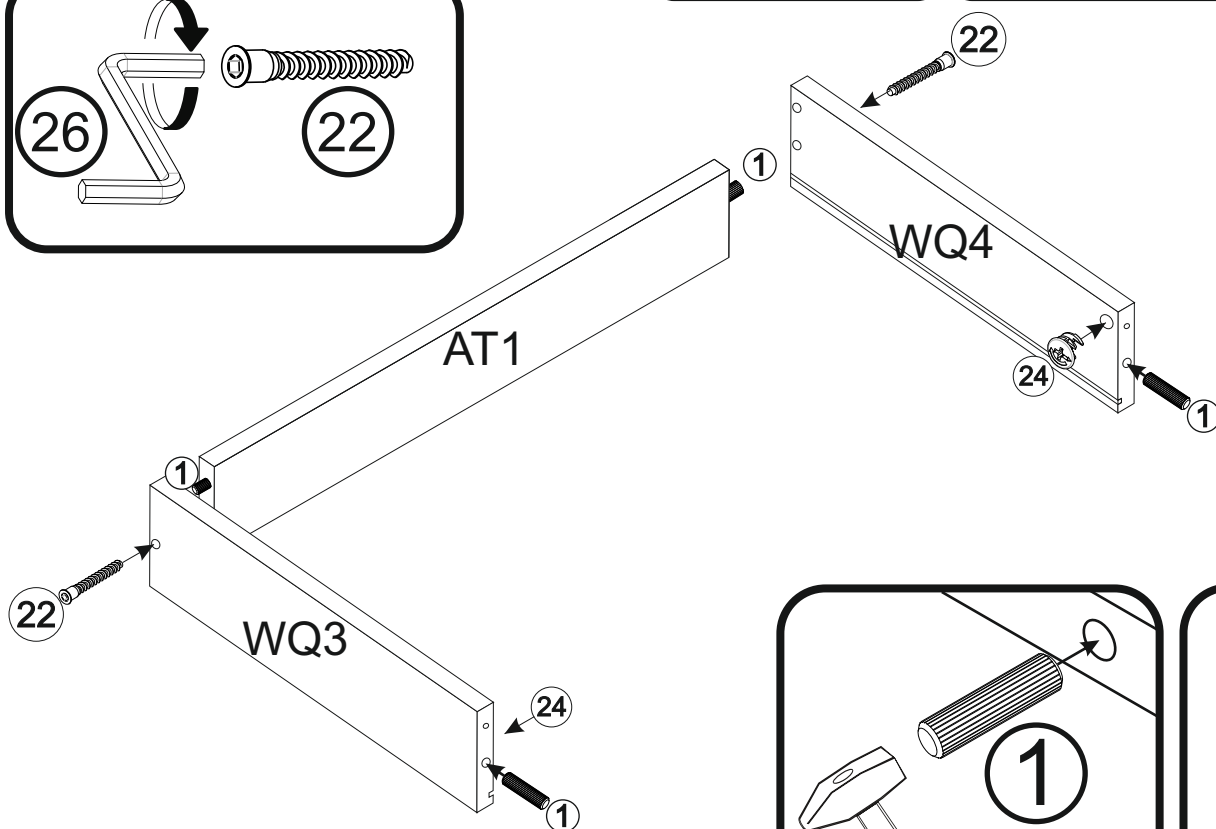
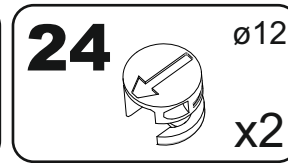
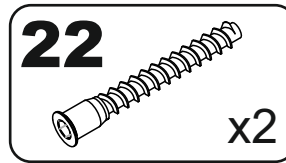
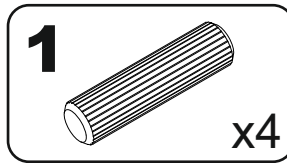
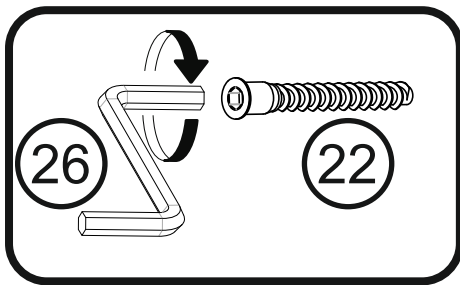
8



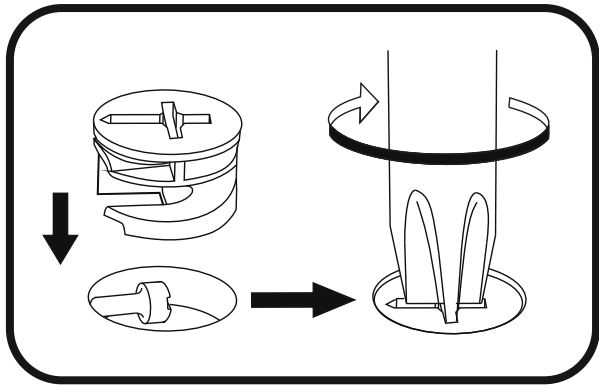
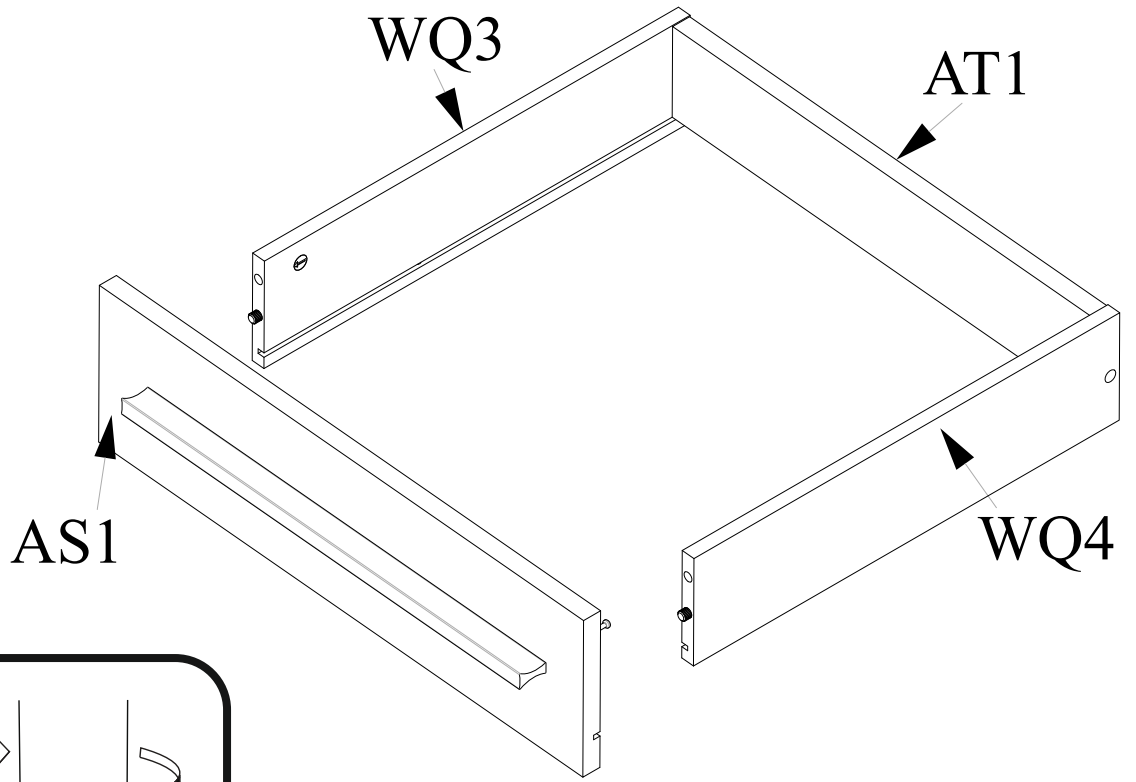
# 9



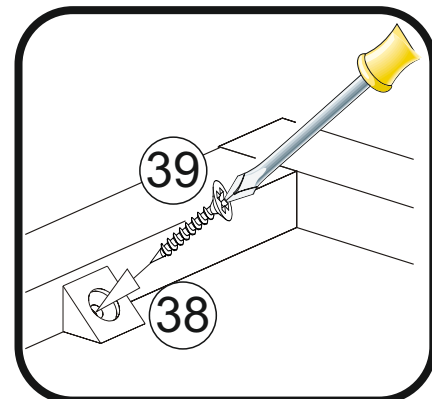
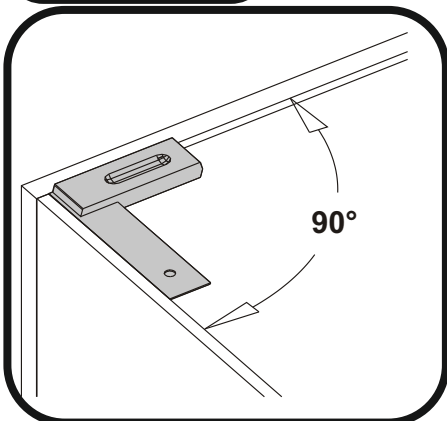
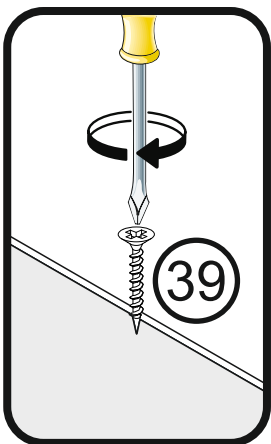
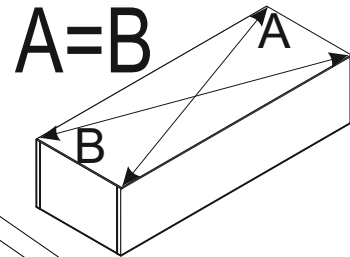
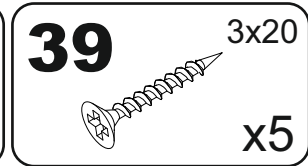
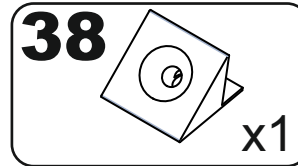
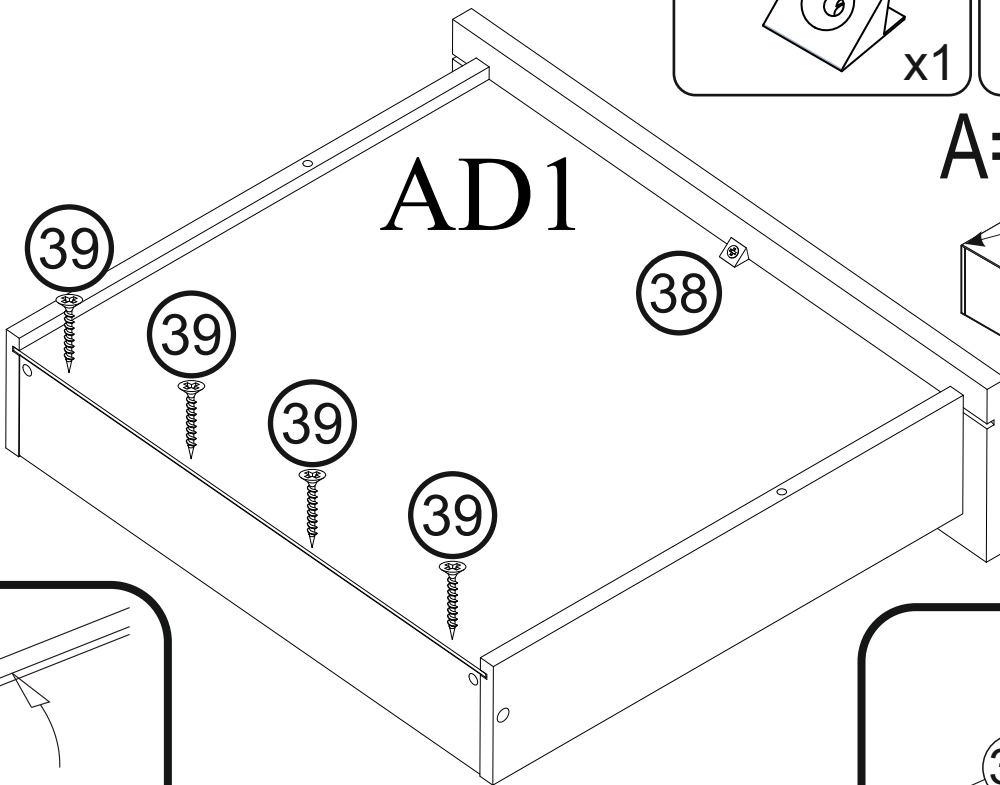
# 10



# 11

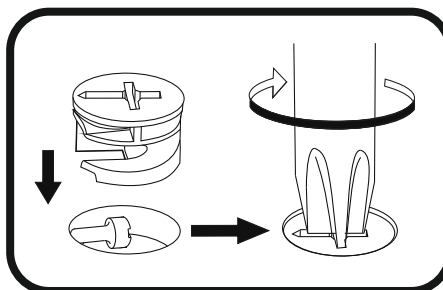
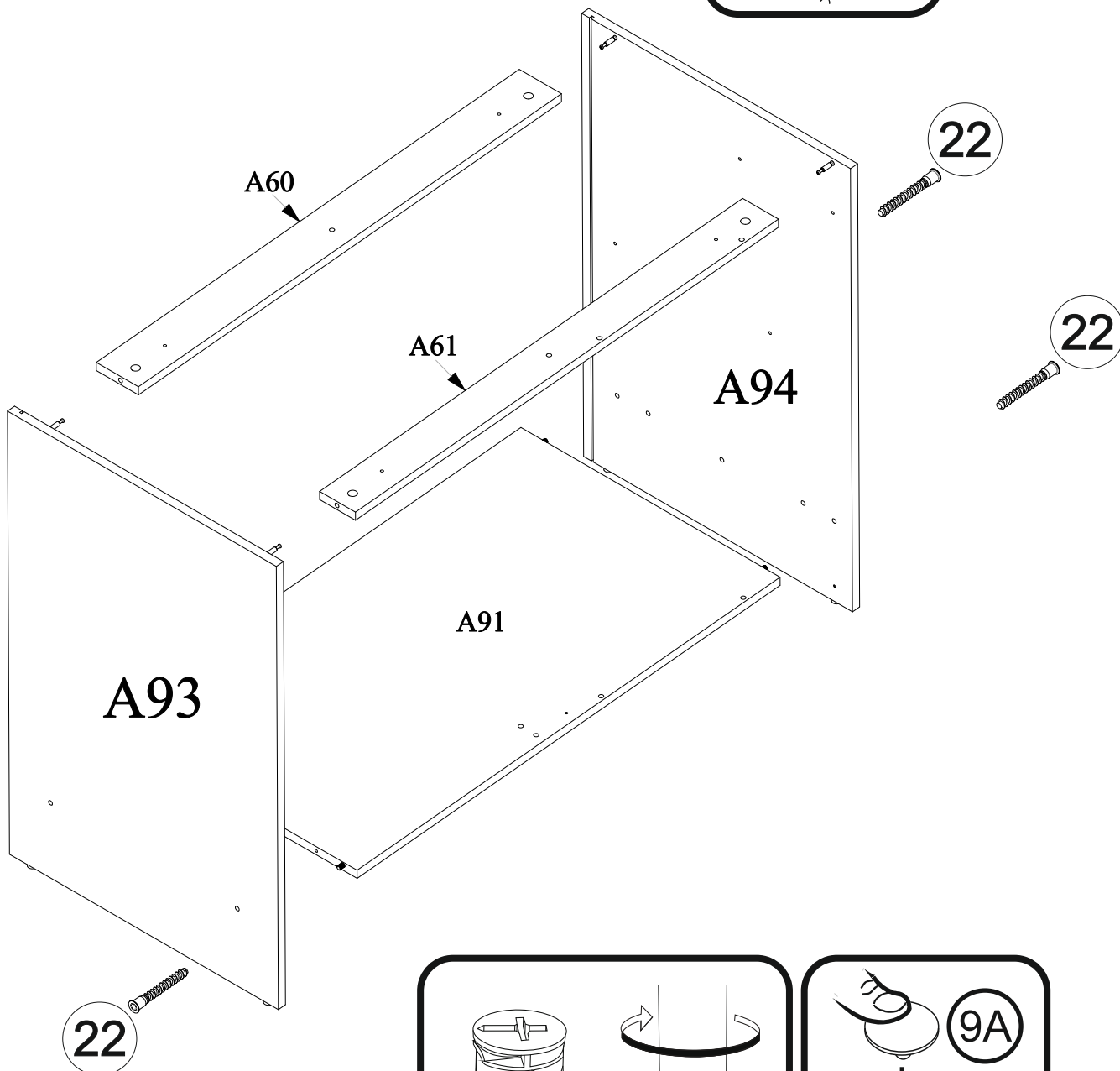
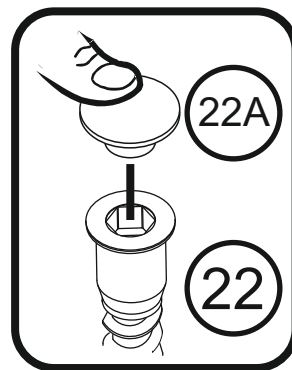
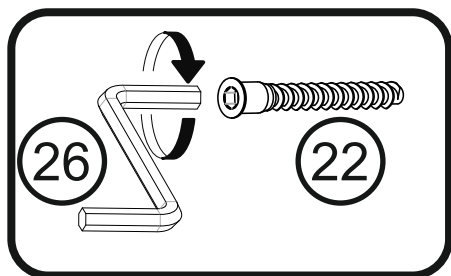
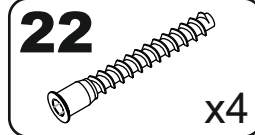
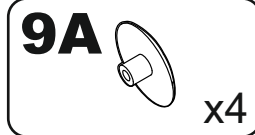


# 12

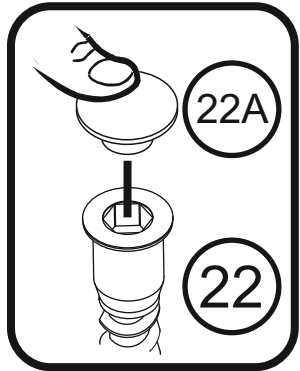
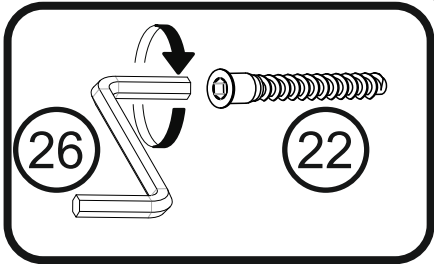
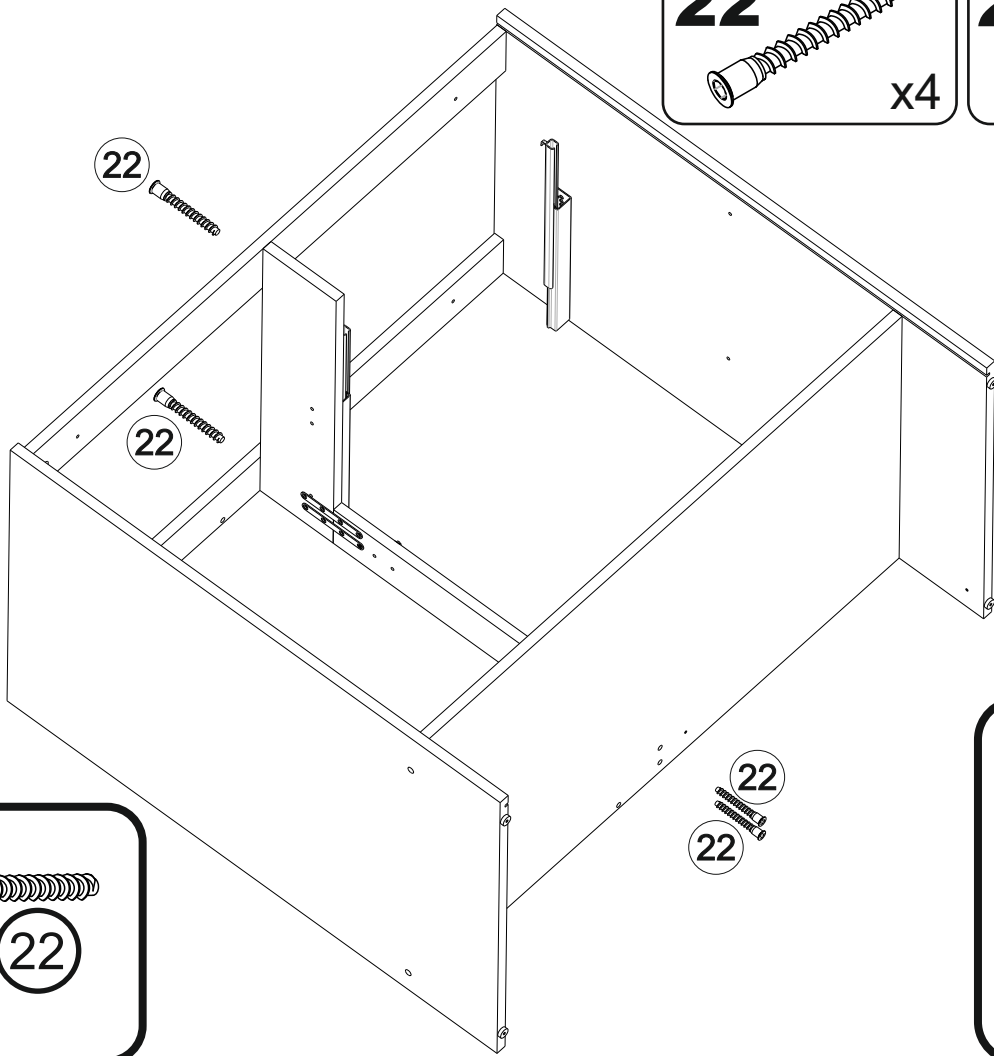
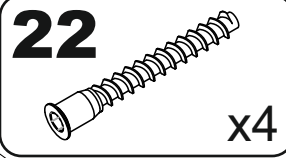




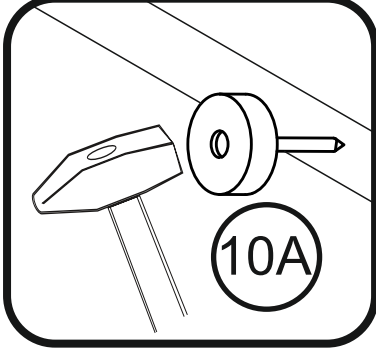
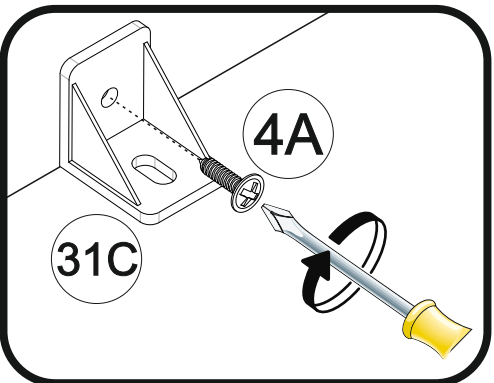
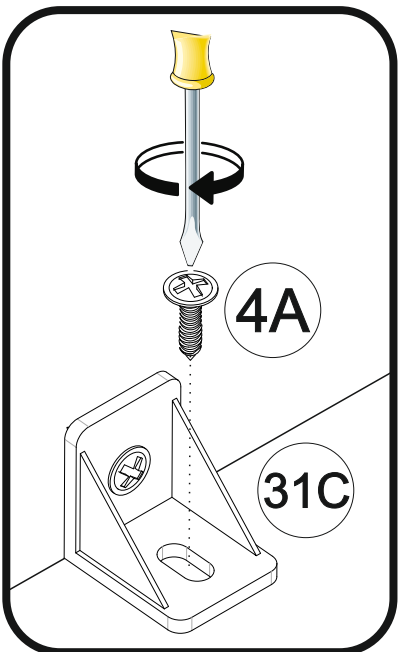
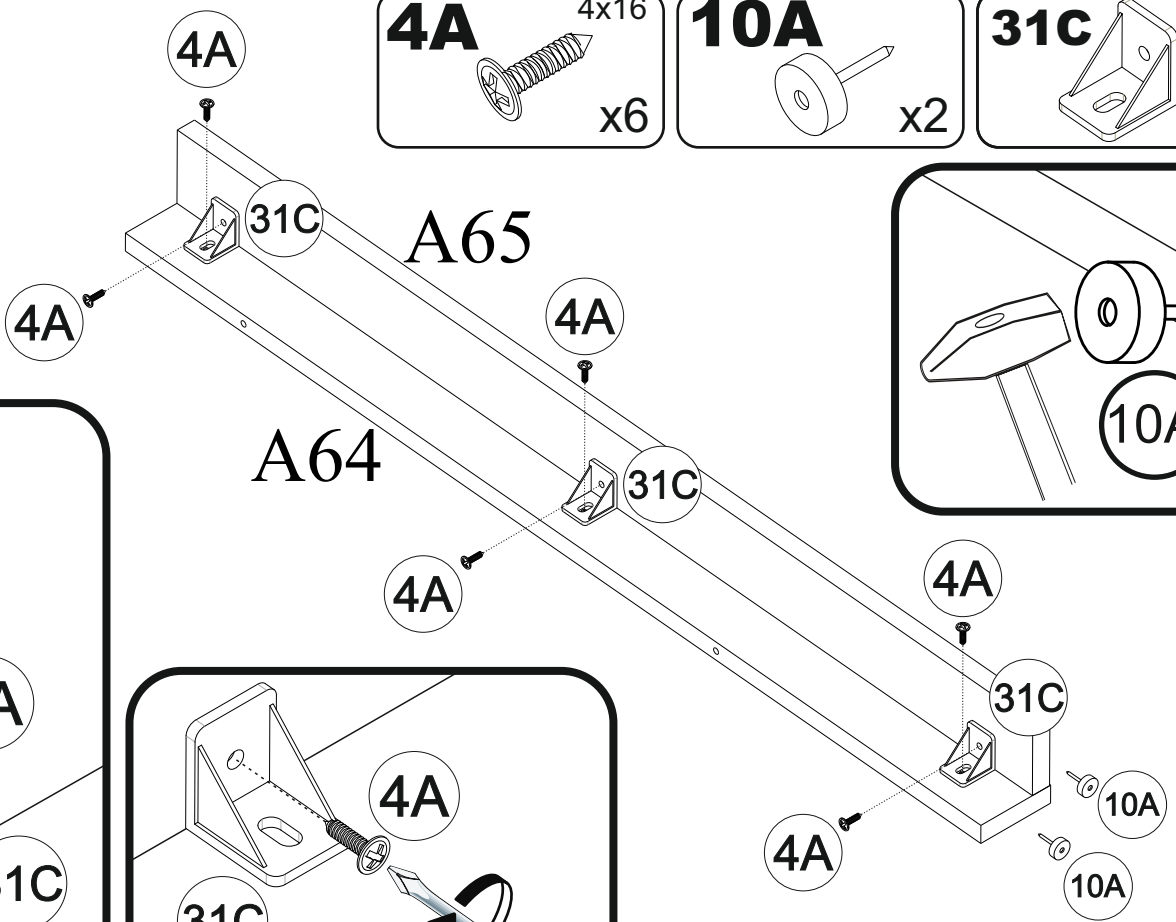
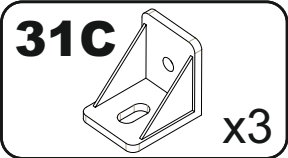
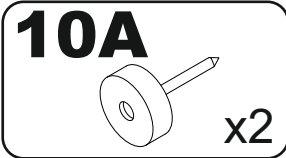
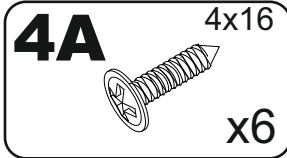
# 13



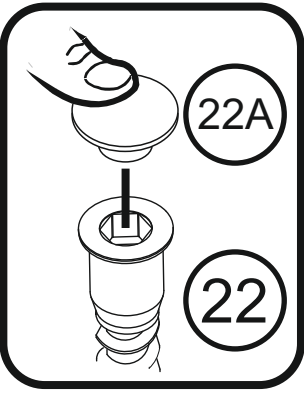
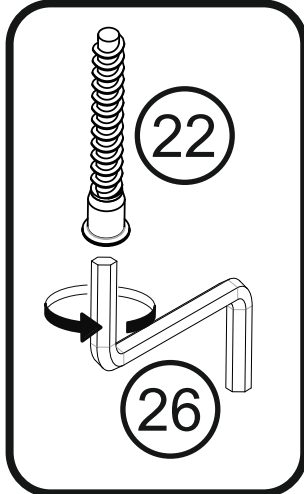
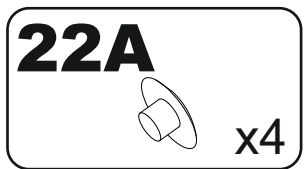
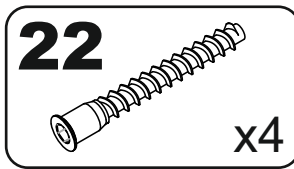
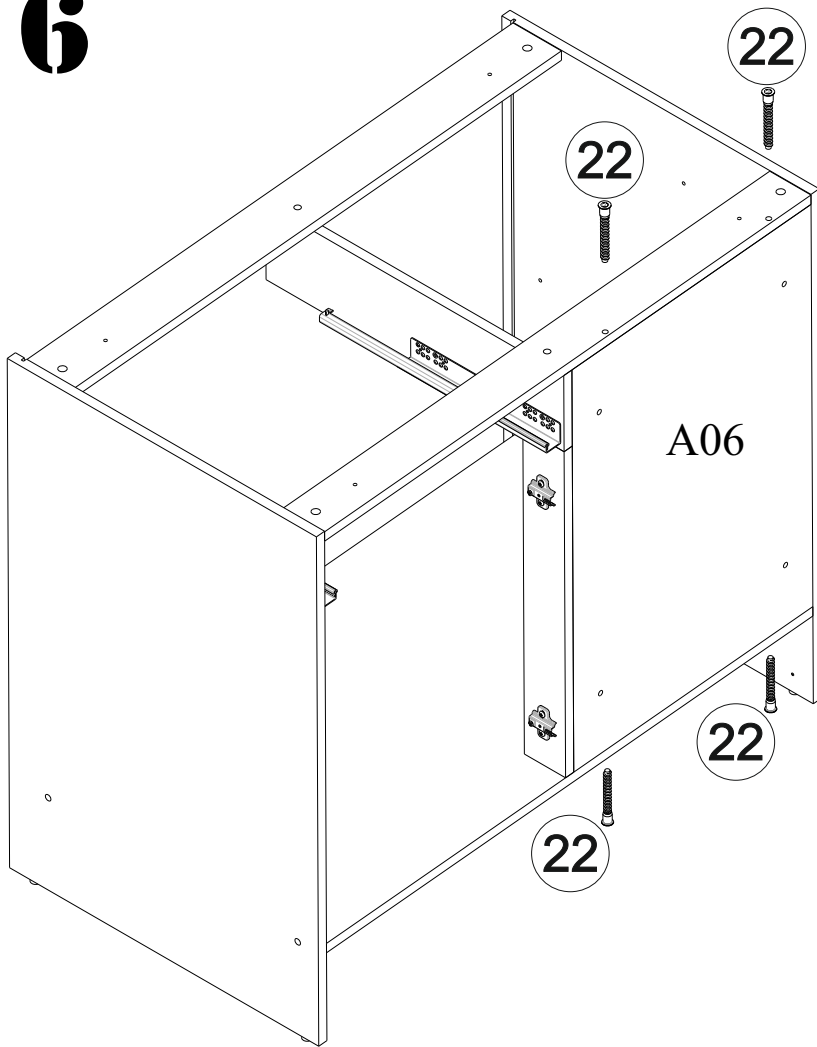
# 14



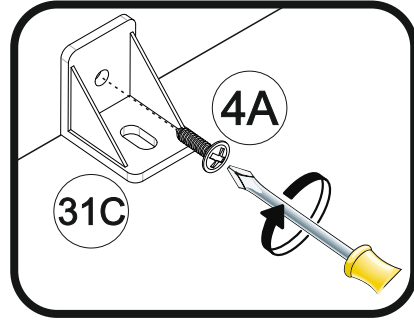
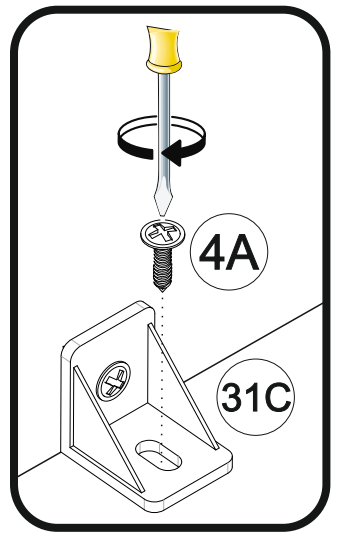
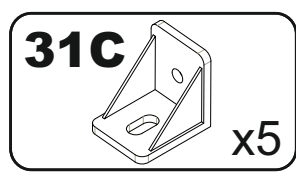
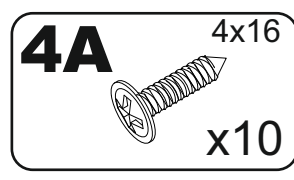
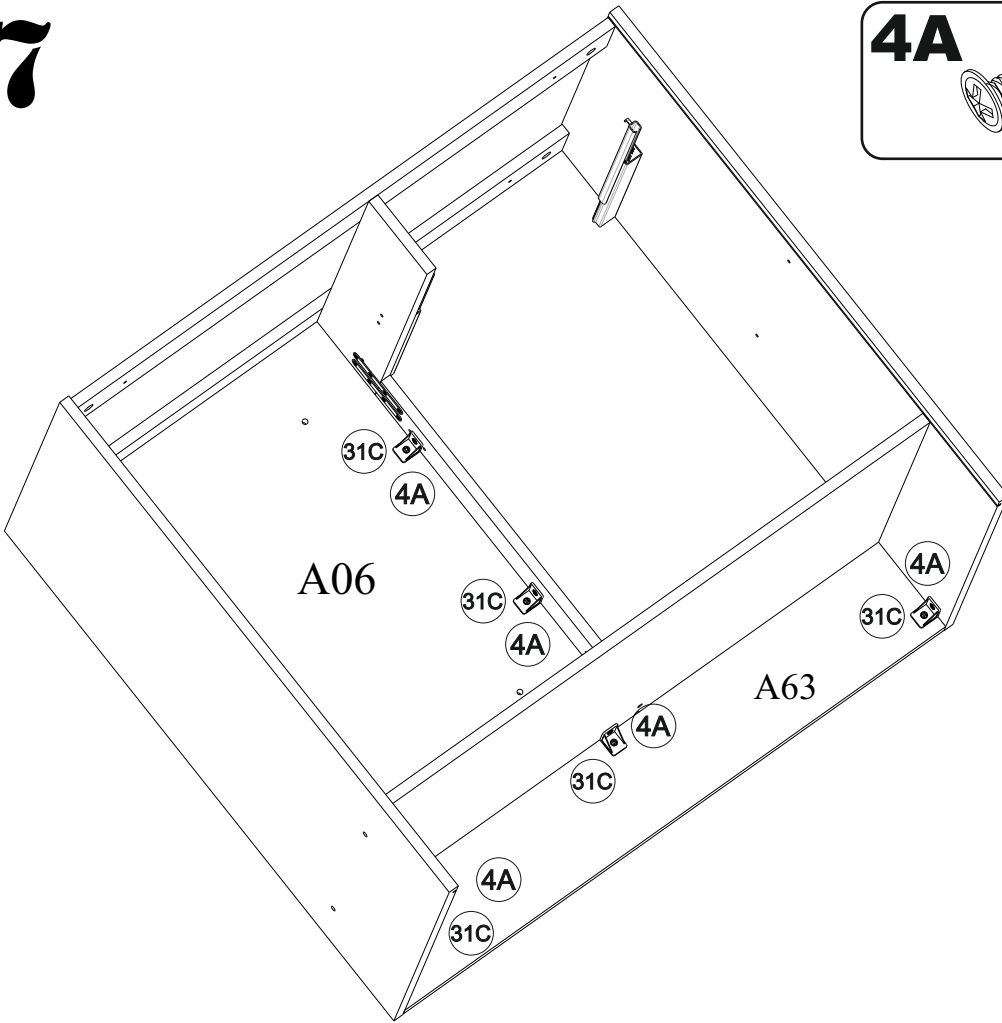
# 15



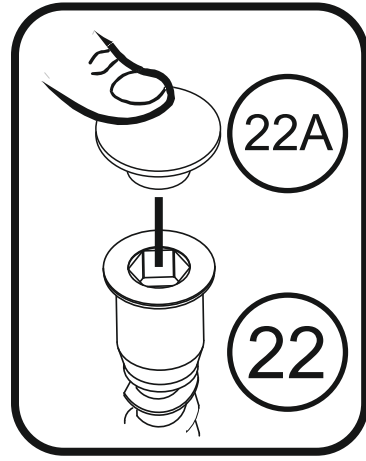
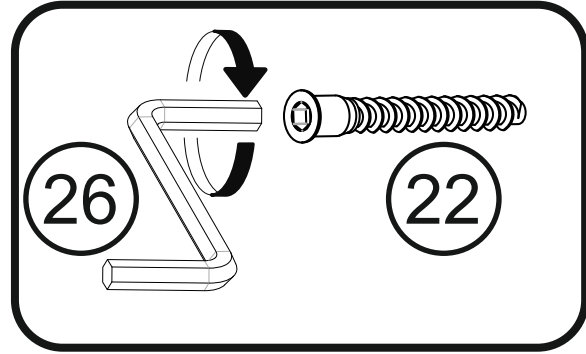
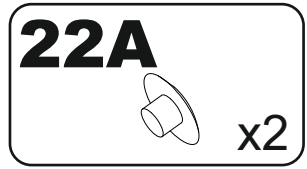
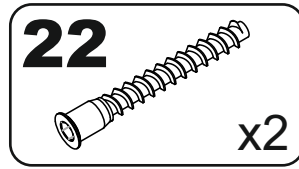
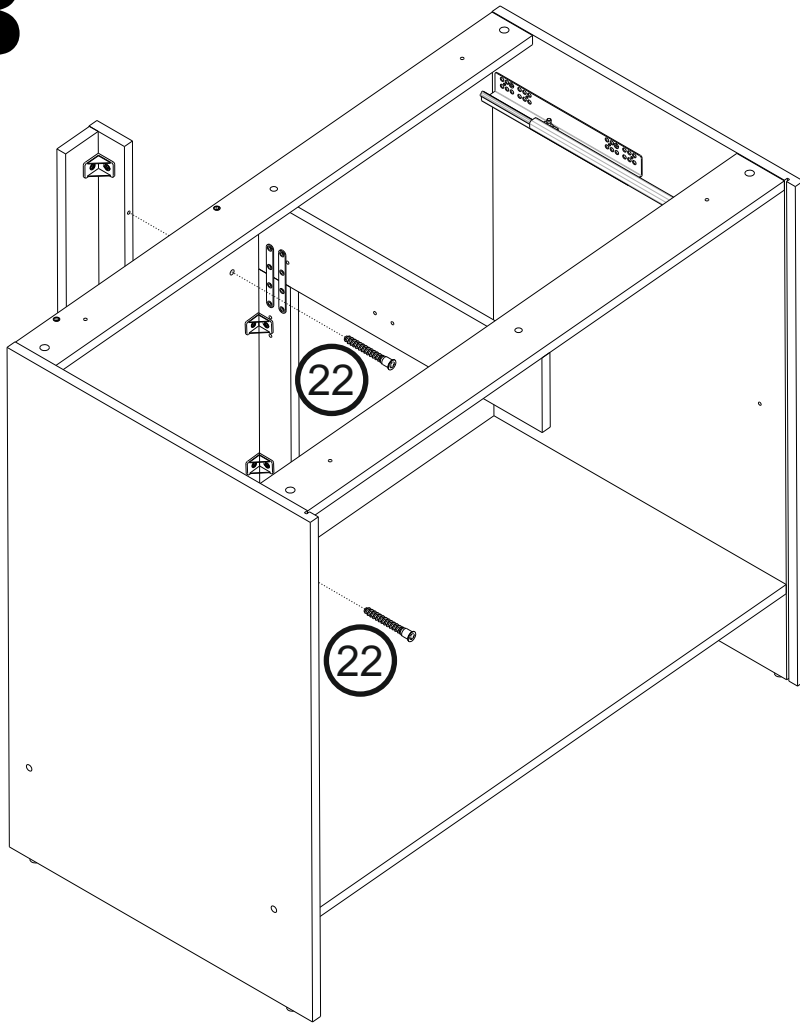
# 16



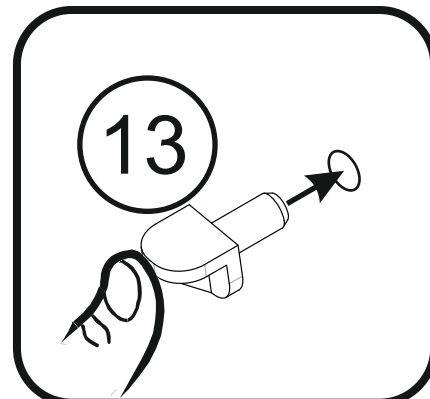
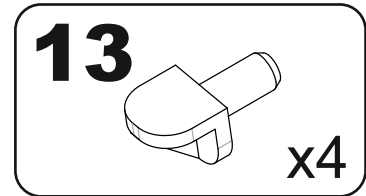
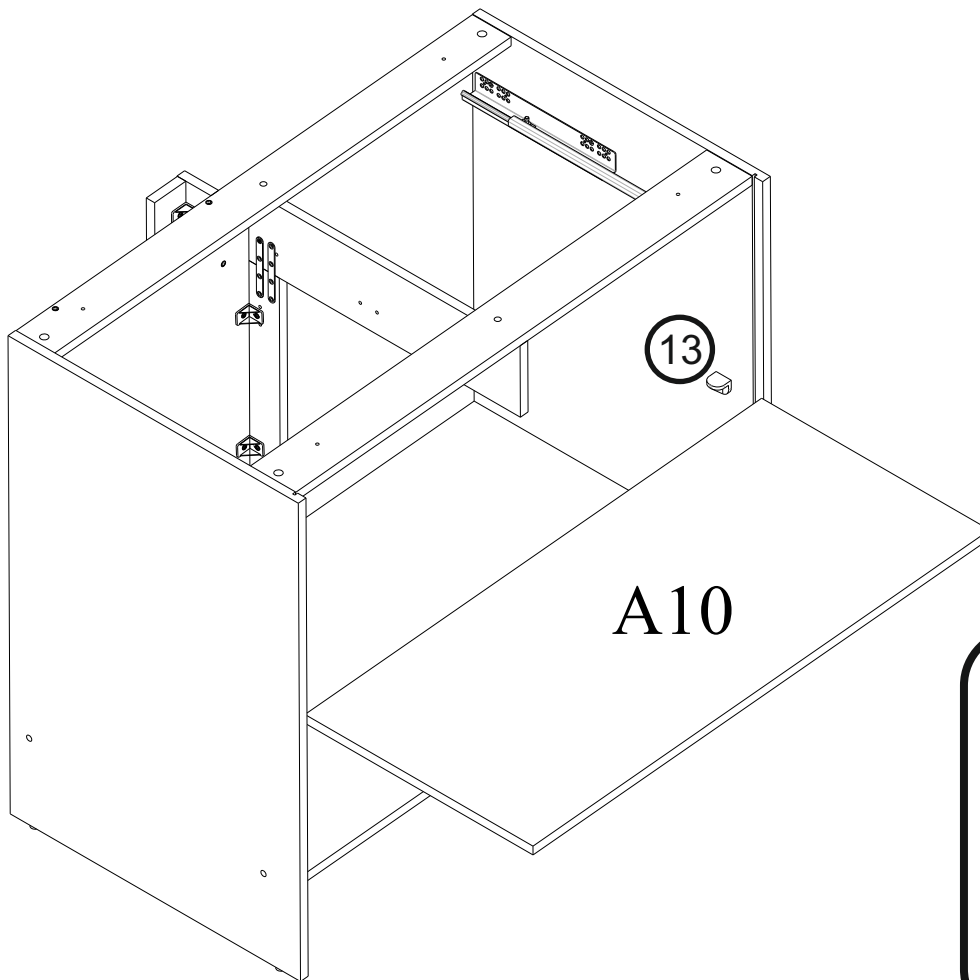
# 17



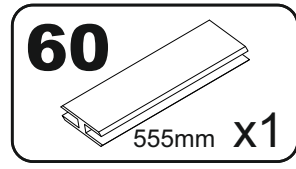
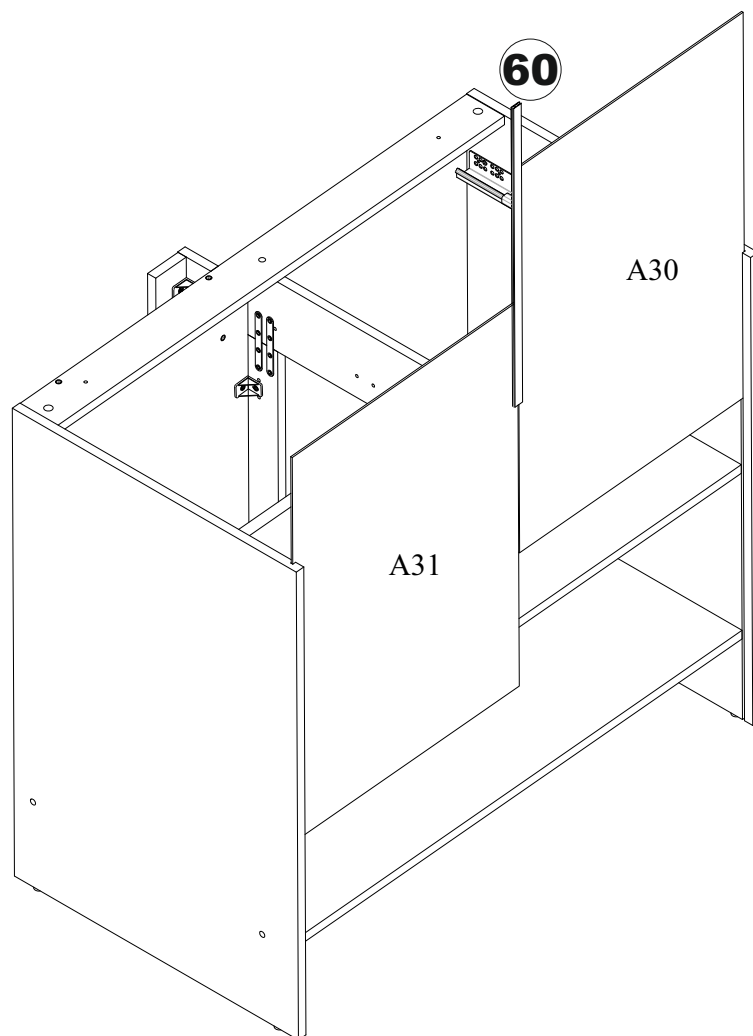
# 18



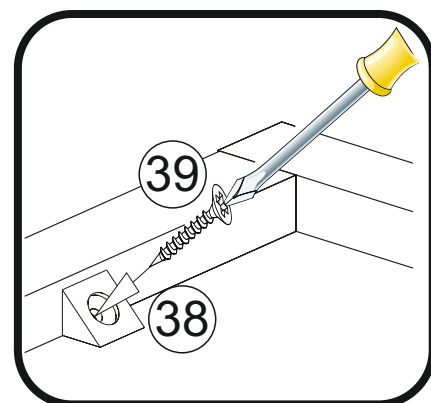
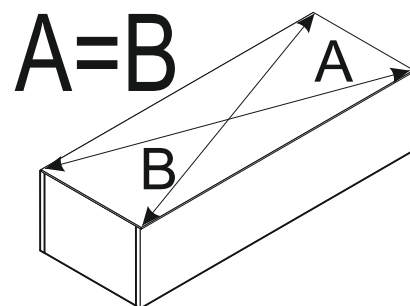
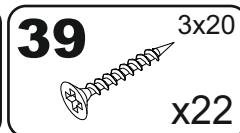
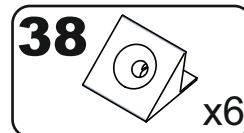
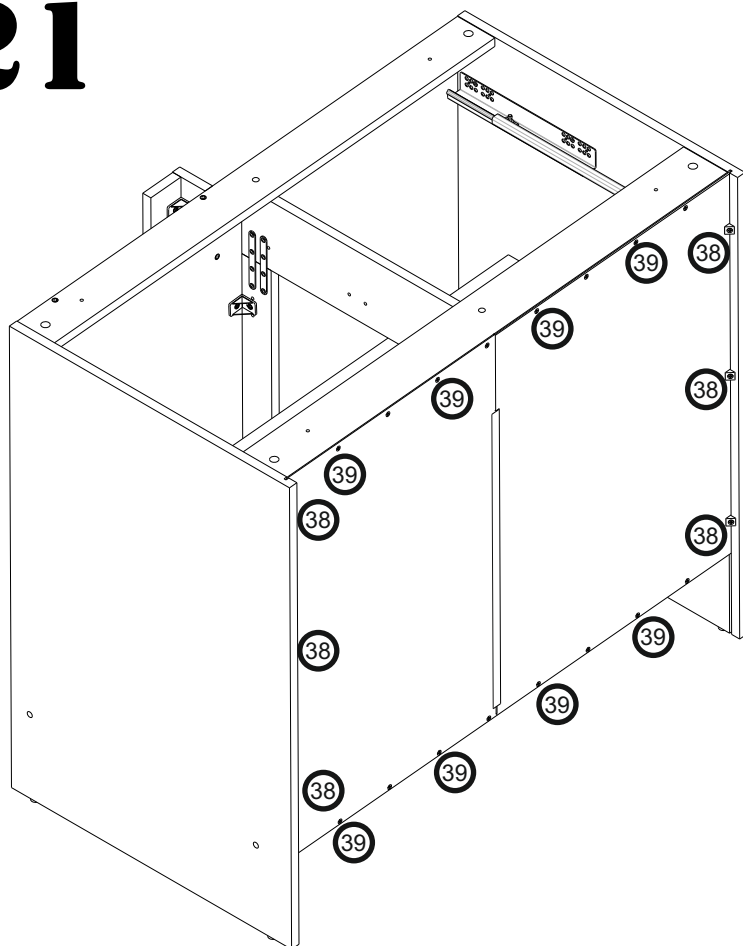
# 19



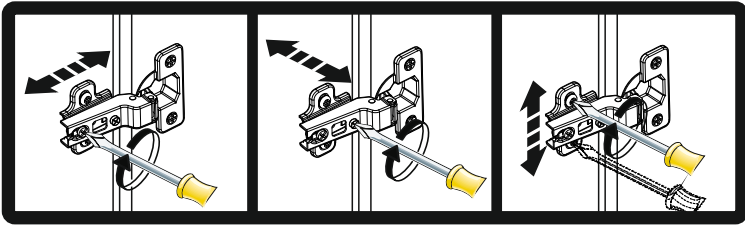
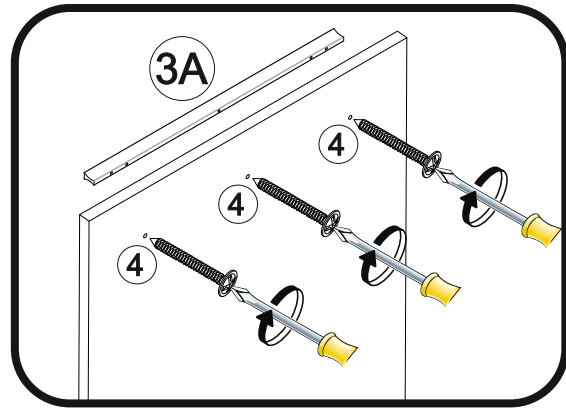
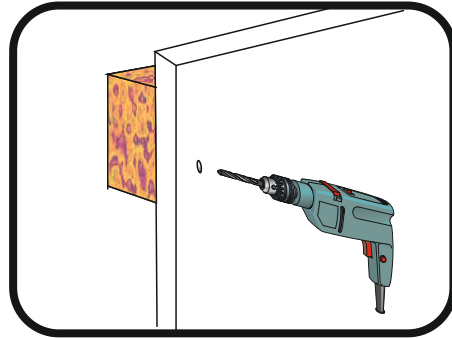
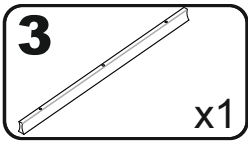
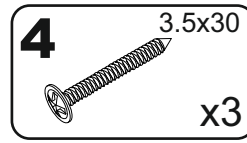
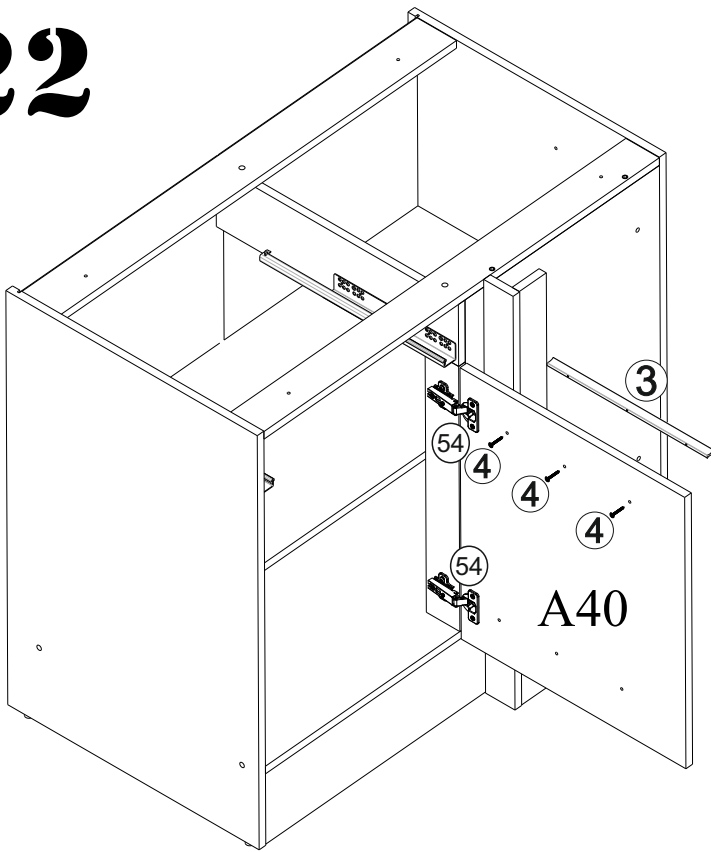
# 20



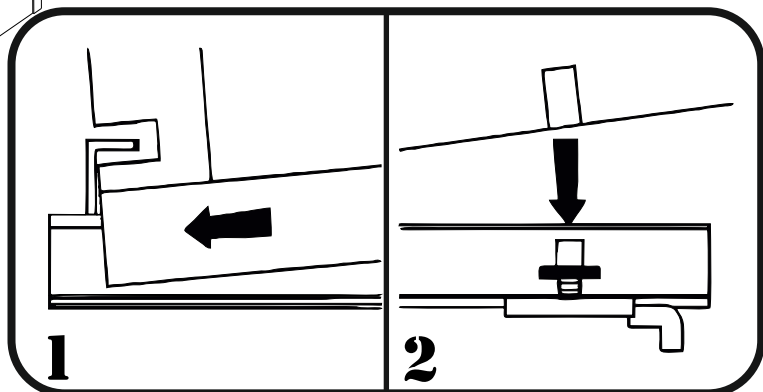
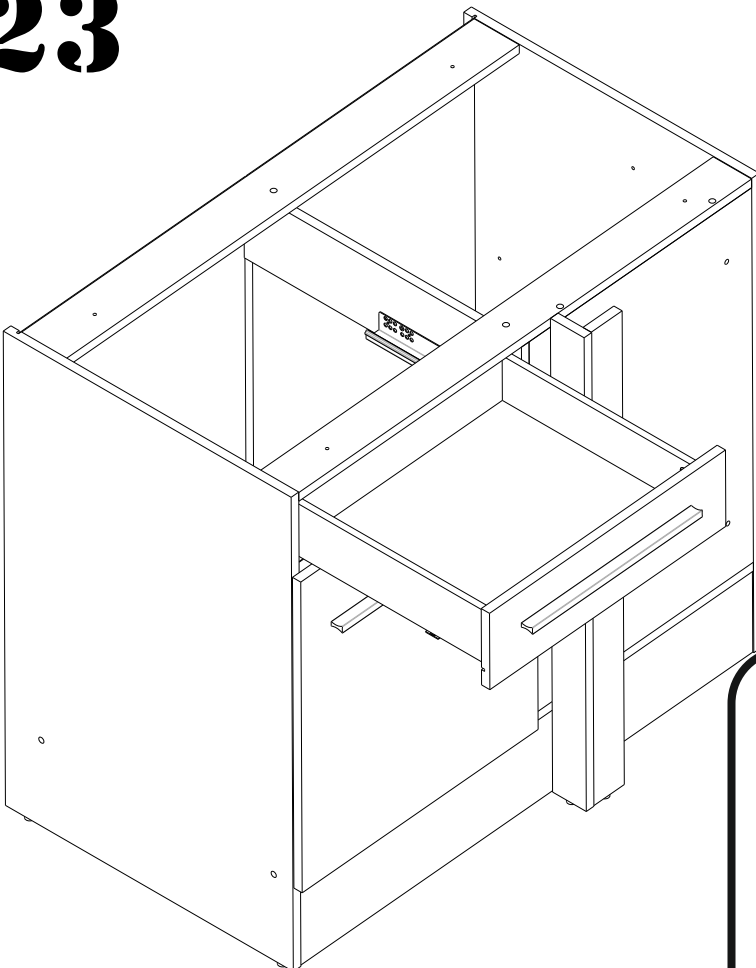
# 21



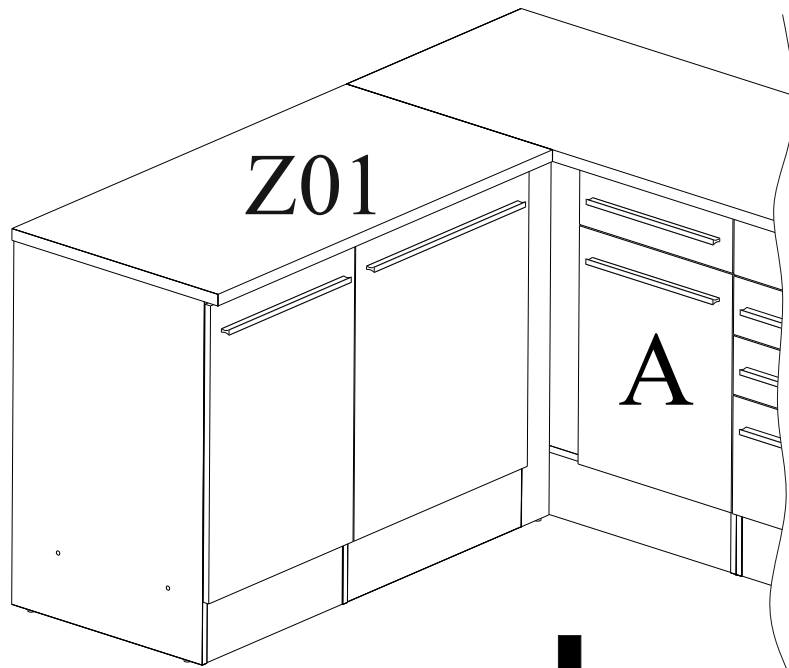
# 22



# 23



A. - LEVÁ/ĽAVÁ



B. - PRAVÁ

