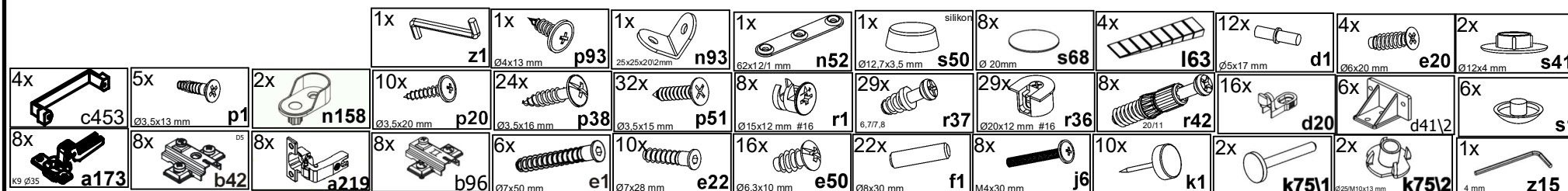
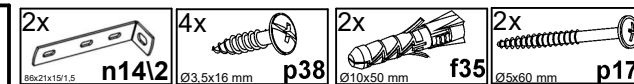
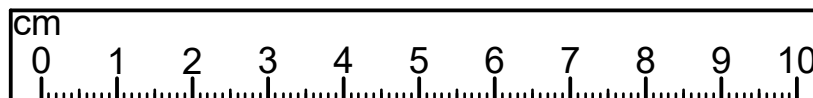
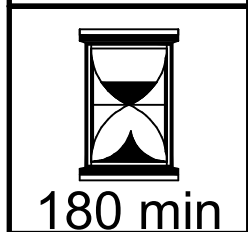
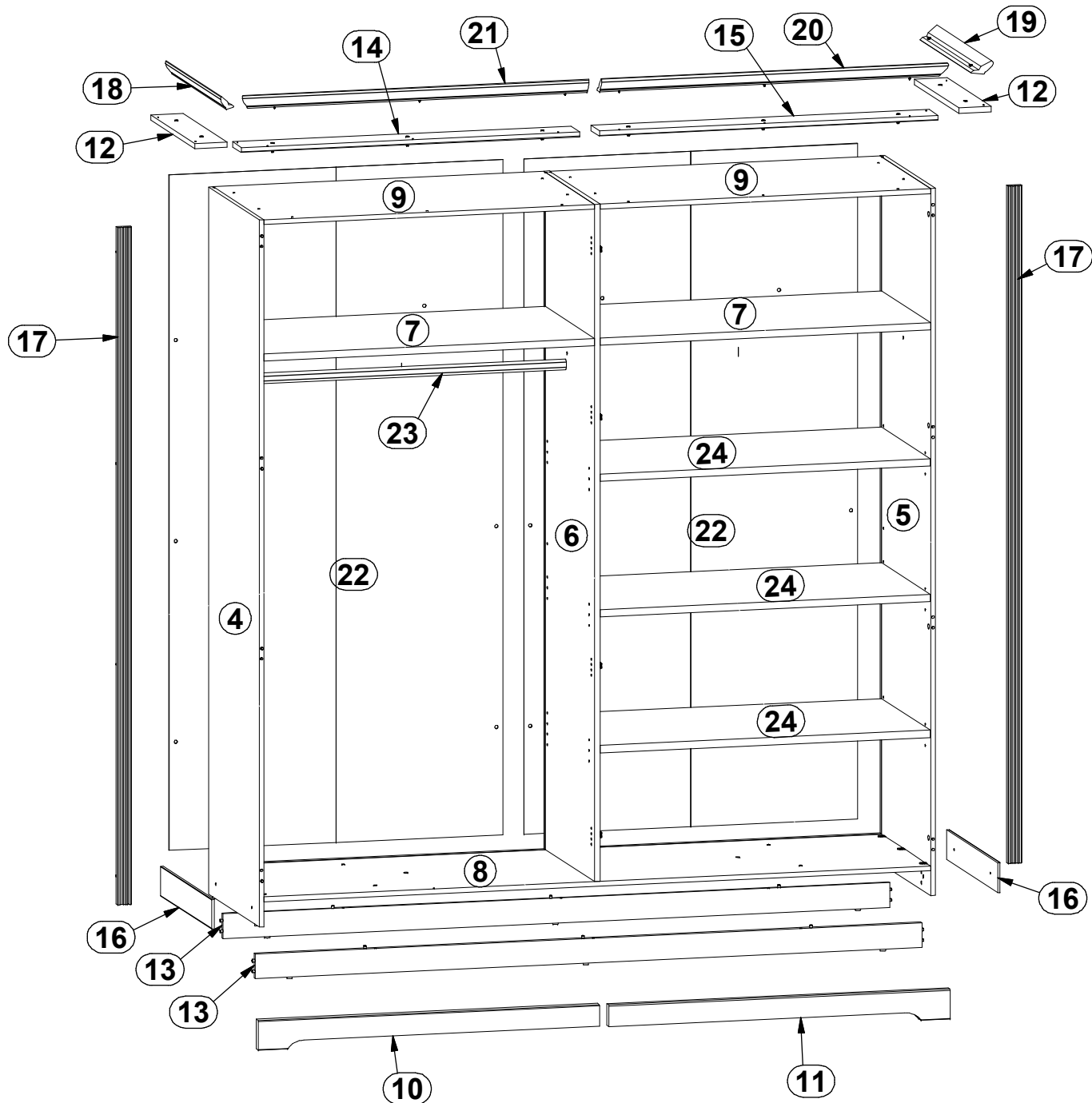
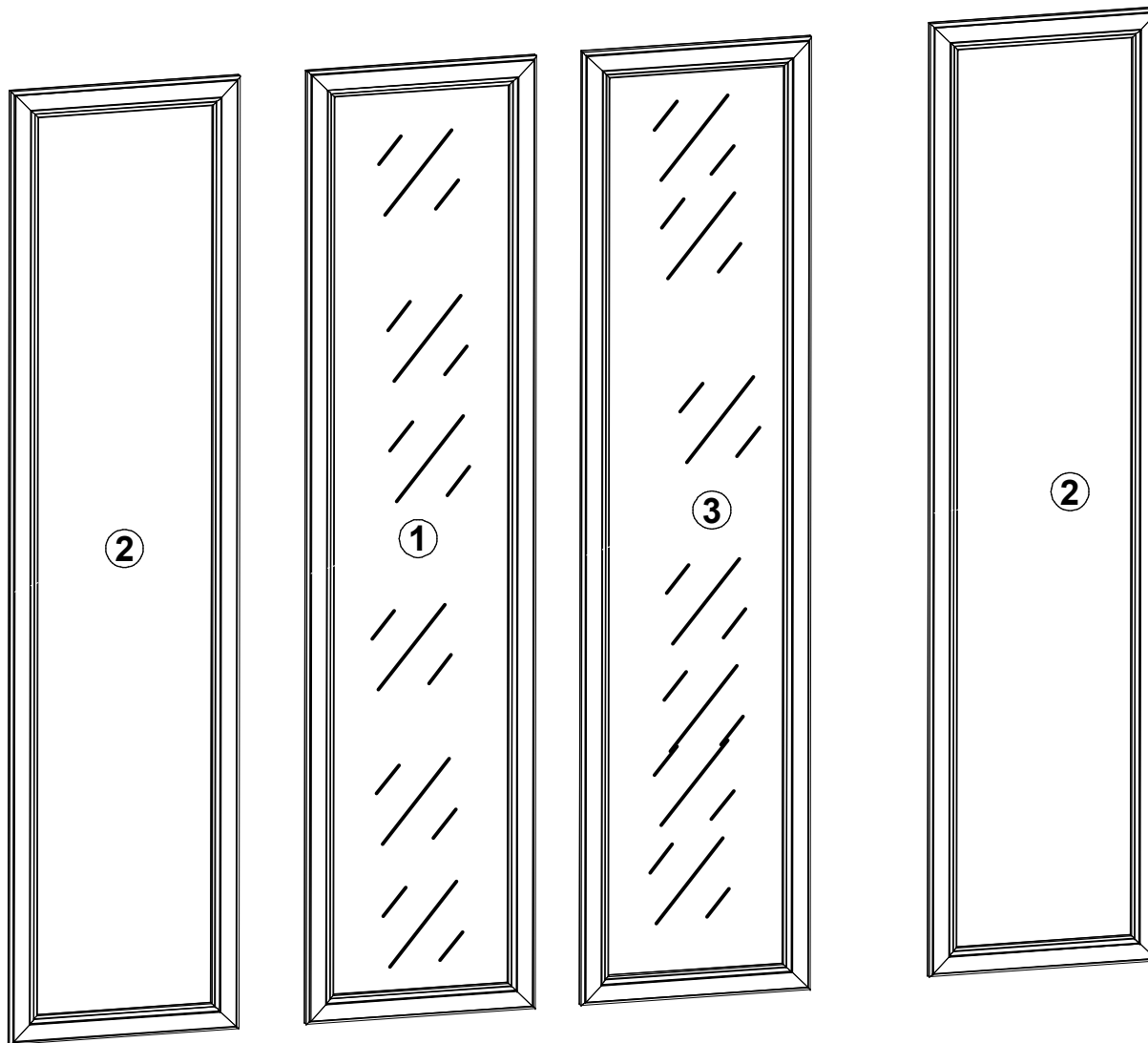


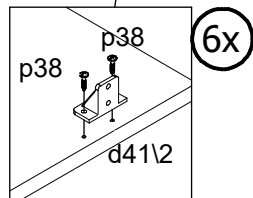
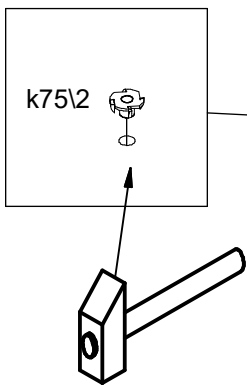
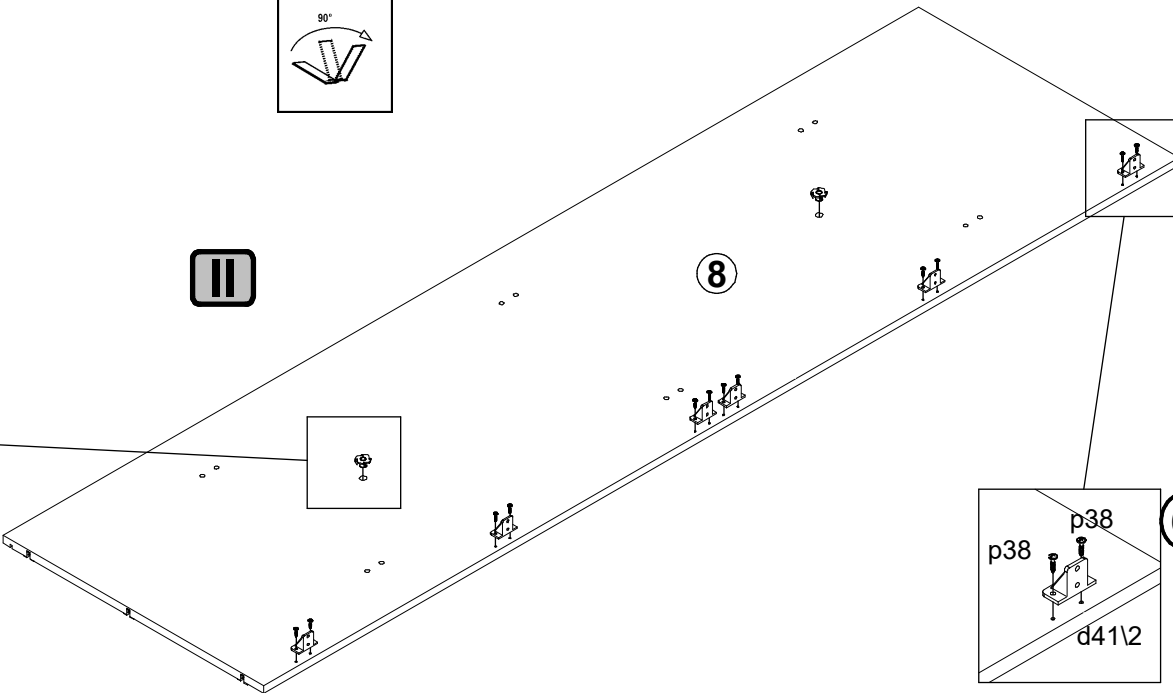
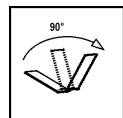
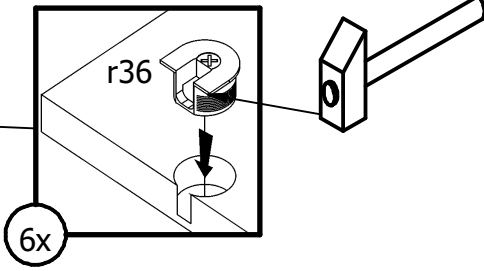
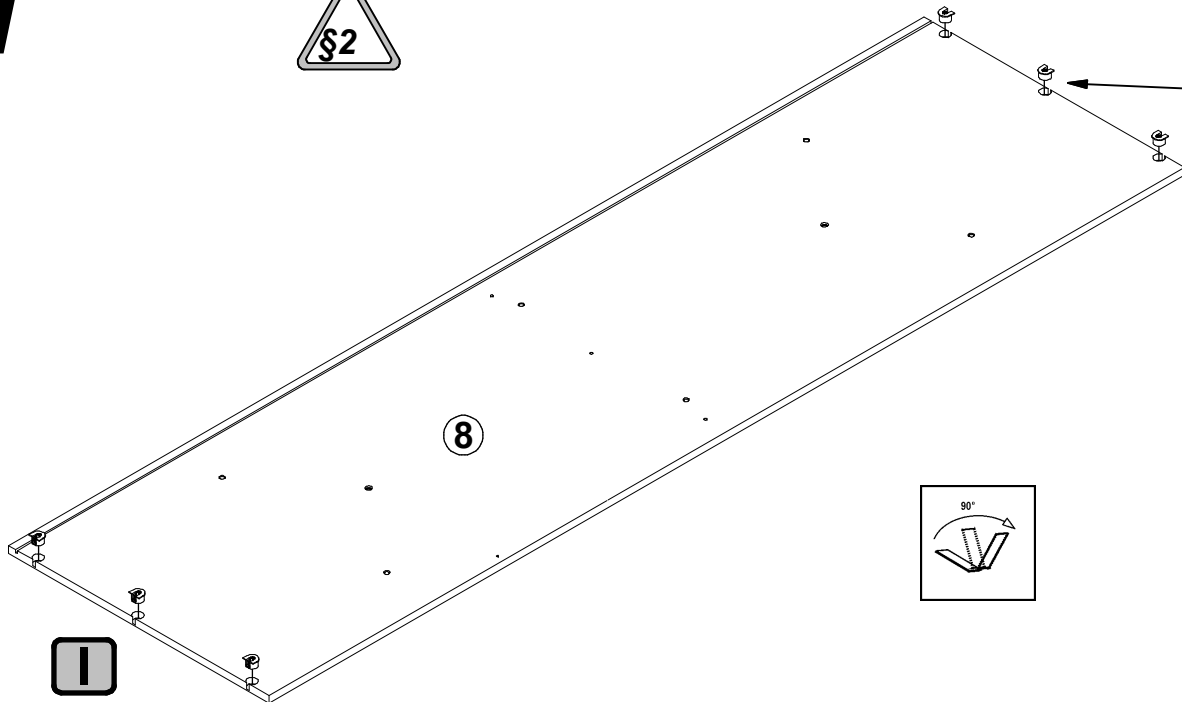
| A | B | C1 | C2 | C3 | D |
|----|-----------|------|------|-----|-----|
| 1 | L126-0050 | 2044 | 496 | 22 | 5/7 |
| 2 | L126-0051 | 2044 | 496 | 22 | 6/7 |
| 3 | L126-0052 | 2044 | 496 | 22 | 5/7 |
| 4 | L126-1050 | 2140 | 585 | 15 | 3/7 |
| 5 | L126-1051 | 2140 | 585 | 15 | 3/7 |
| 6 | L126-1052 | 2050 | 585 | 18 | 4/7 |
| 7 | L126-3054 | 1019 | 565 | 22 | 1/7 |
| 8 | L126-3057 | 2056 | 585 | 15 | 2/7 |
| 9 | L126-3058 | 1019 | 585 | 15 | 1/7 |
| 10 | L126-4004 | 1052 | 90 | 25 | 2/7 |
| 11 | L126-4005 | 1052 | 90 | 25 | 2/7 |
| 12 | L126-4053 | 510 | 100 | 16 | 2/7 |
| 13 | L126-4054 | 2056 | 75 | 15 | 2/7 |
| 14 | L126-4055 | 1044 | 100 | 16 | 2/7 |
| 15 | L126-4056 | 1044 | 100 | 16 | 2/7 |
| 16 | L126-5053 | 585 | 90 | 8 | 2/7 |
| 17 | L126-5054 | 2050 | 43 | 19 | 6/7 |
| 18 | L126-5055 | 636 | 67 | 22 | 2/7 |
| 19 | L126-5057 | 636 | 67 | 22 | 2/7 |
| 20 | L126-5061 | 1070 | 67 | 22 | 2/7 |
| 21 | L126-5062 | 1070 | 67 | 22 | 2/7 |
| 22 | L126-9351 | 2044 | 1029 | 2,5 | 4/7 |
| 23 | dr-1014 | 1012 | 30 | 15 | 2/7 |
| 24 | L126-3063 | 1018 | 560 | 22 | 7/7 |

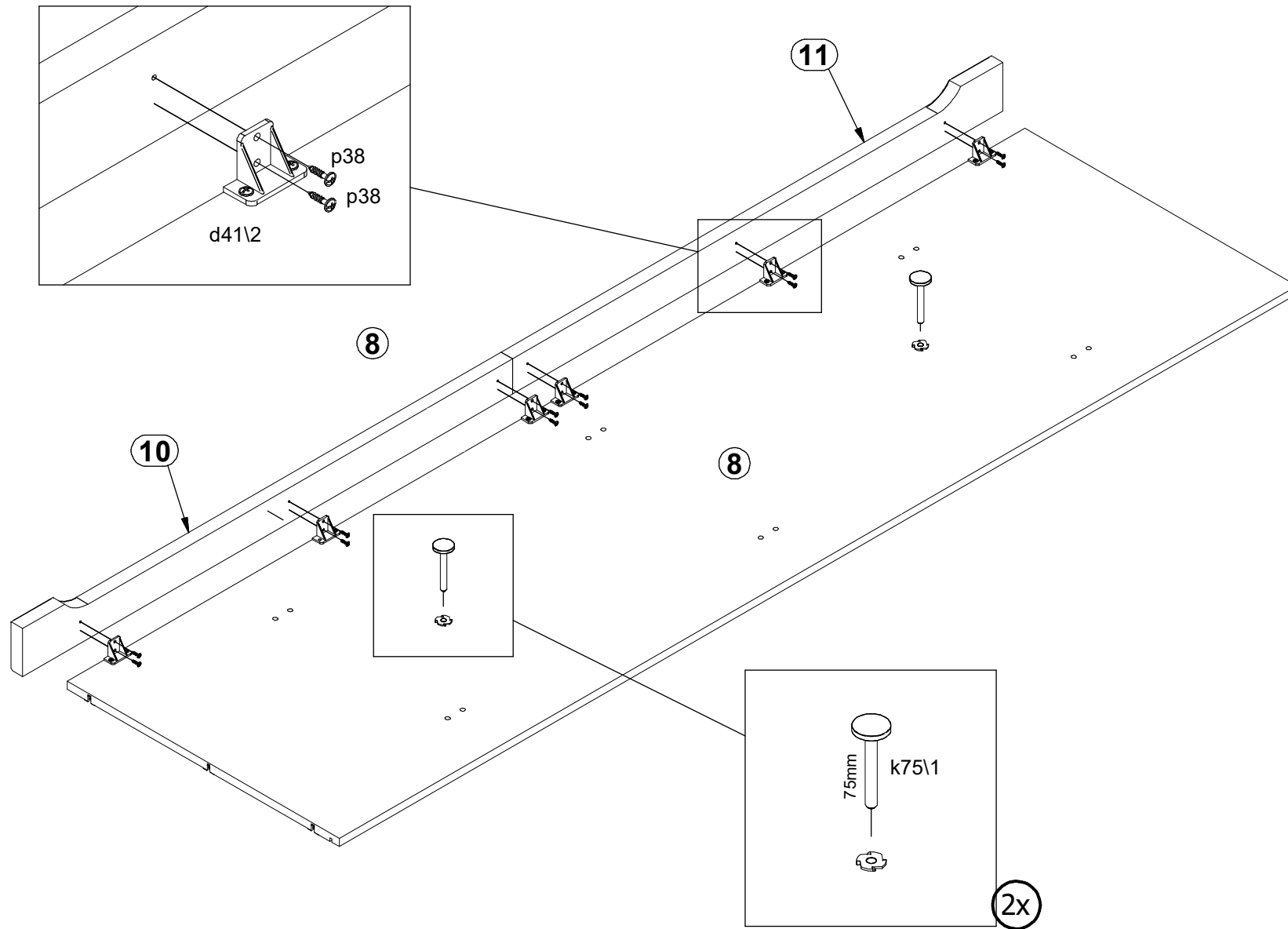




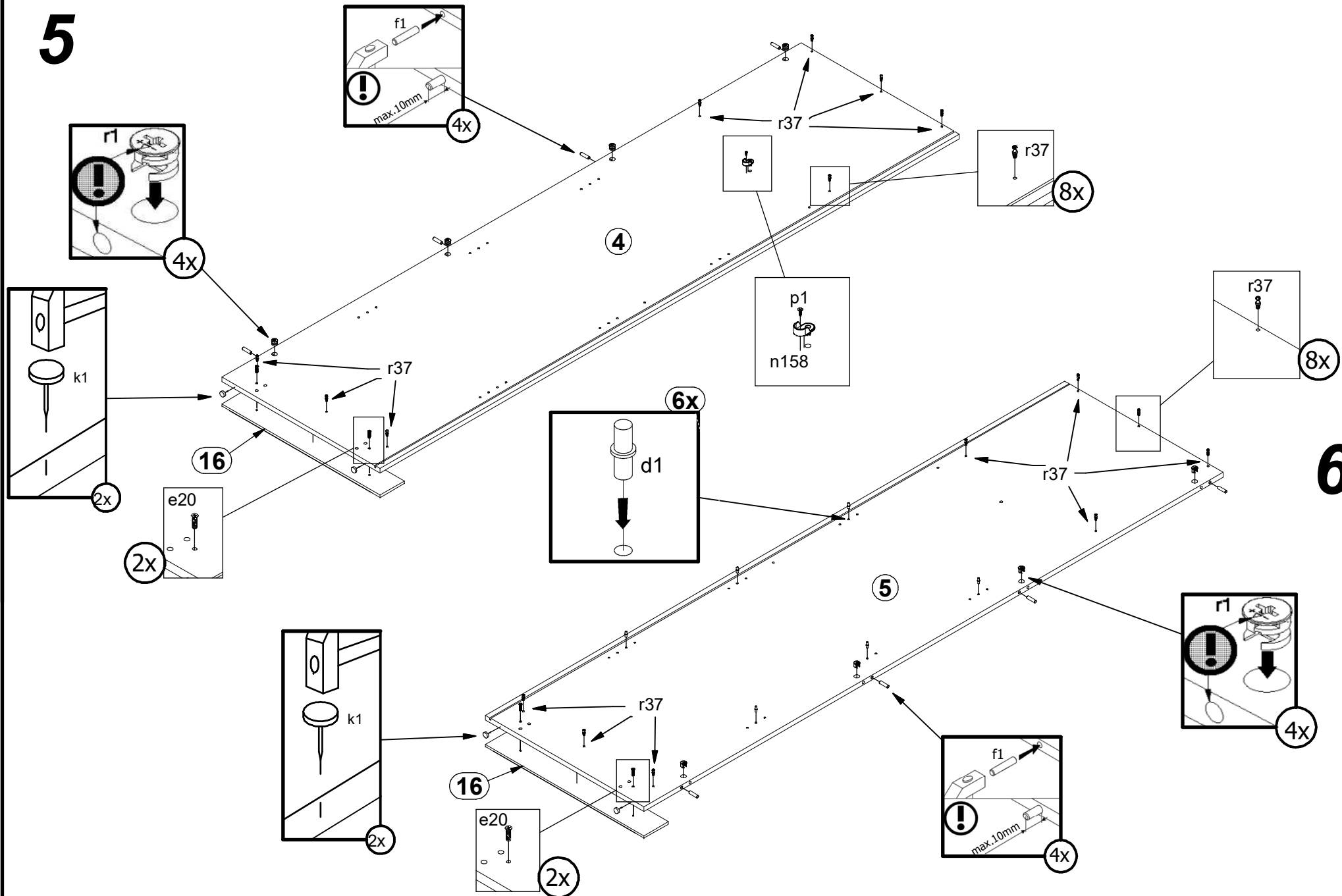


1



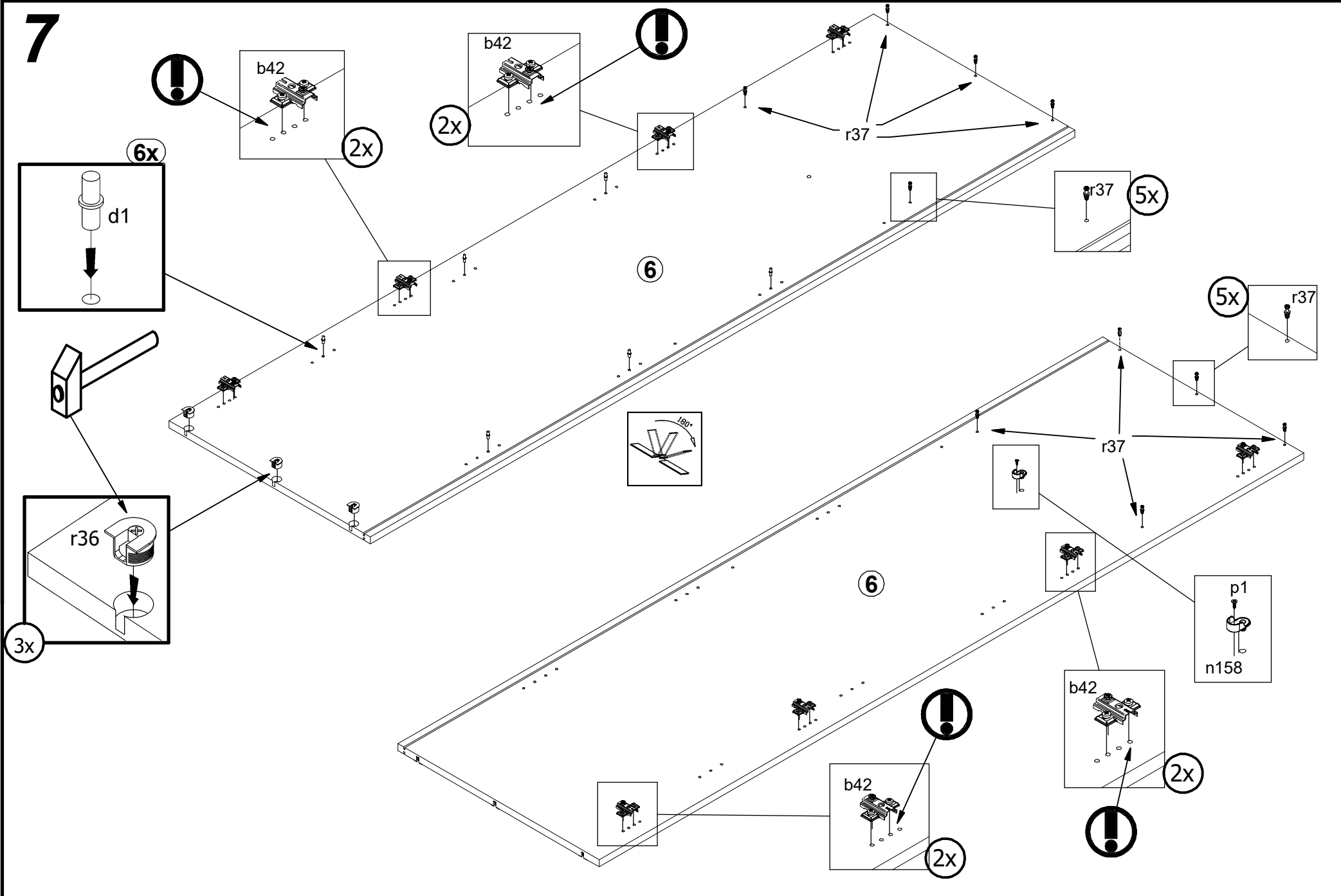


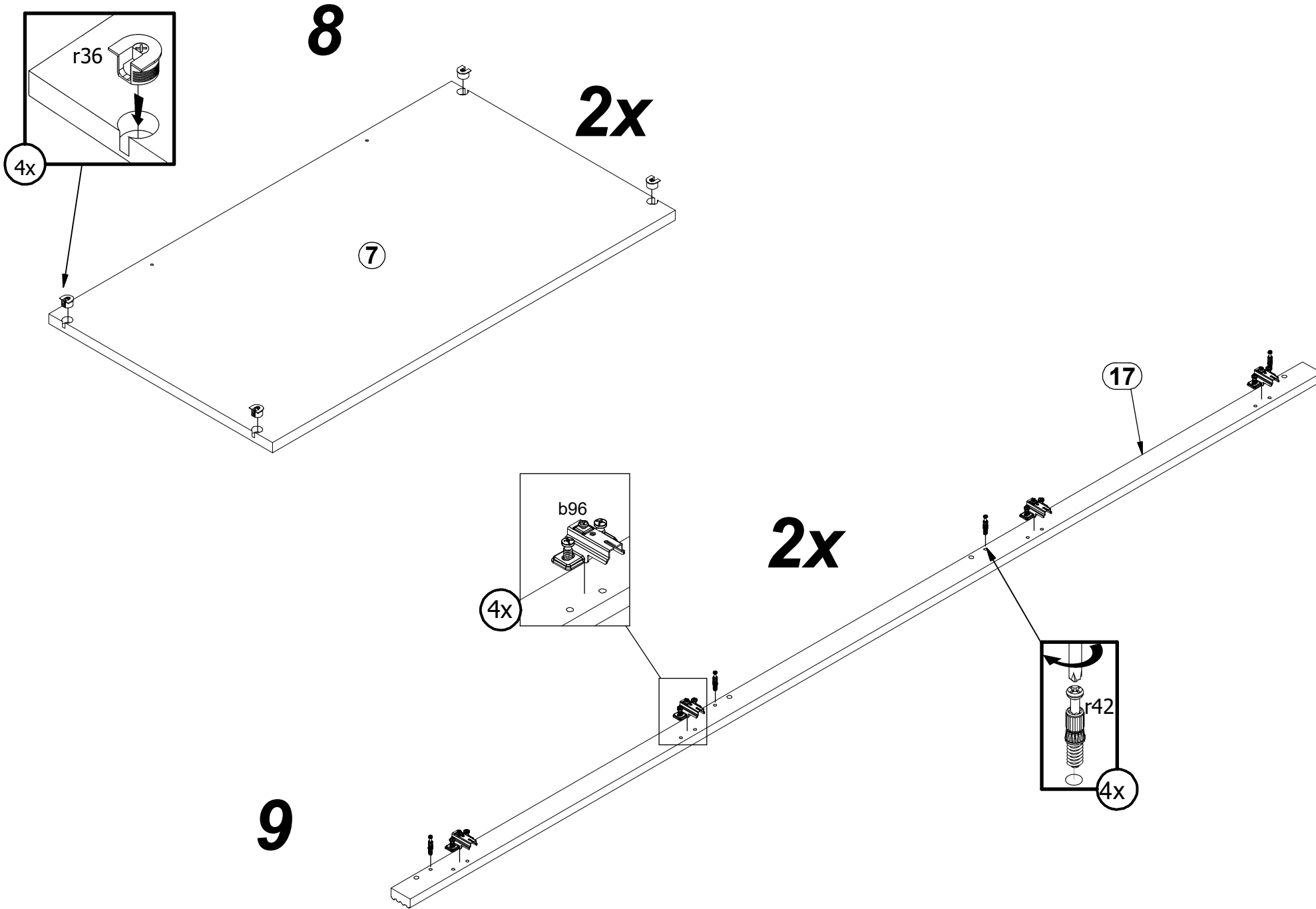
5



6

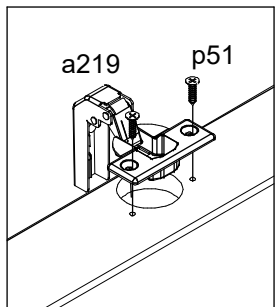
7







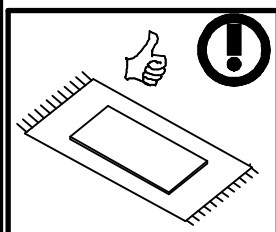
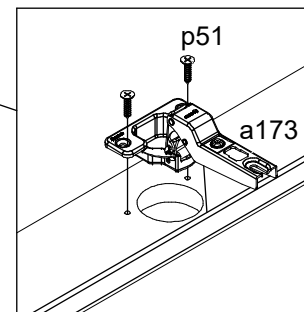
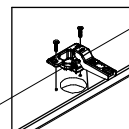
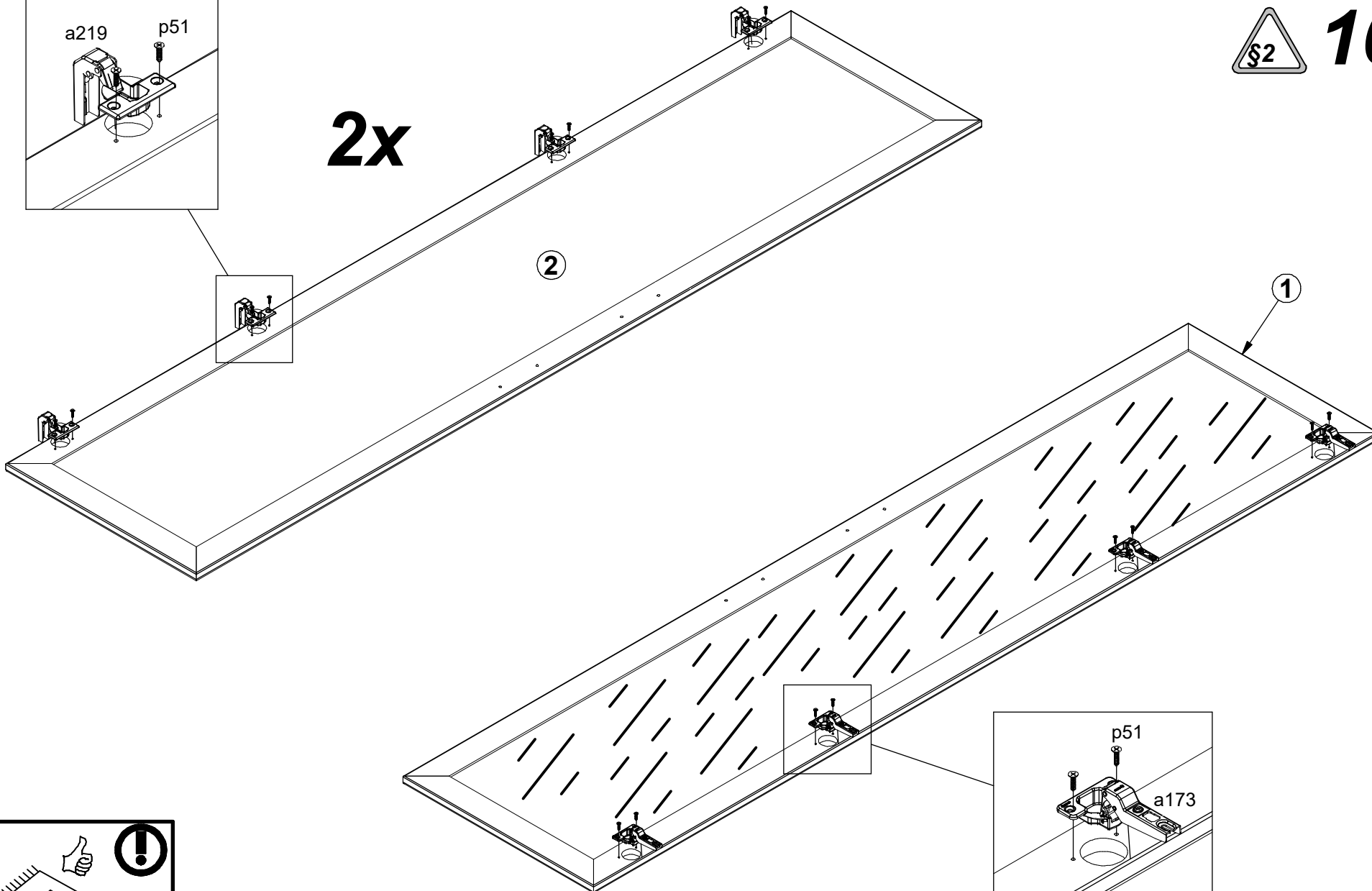
10



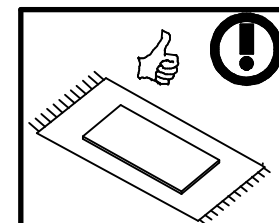
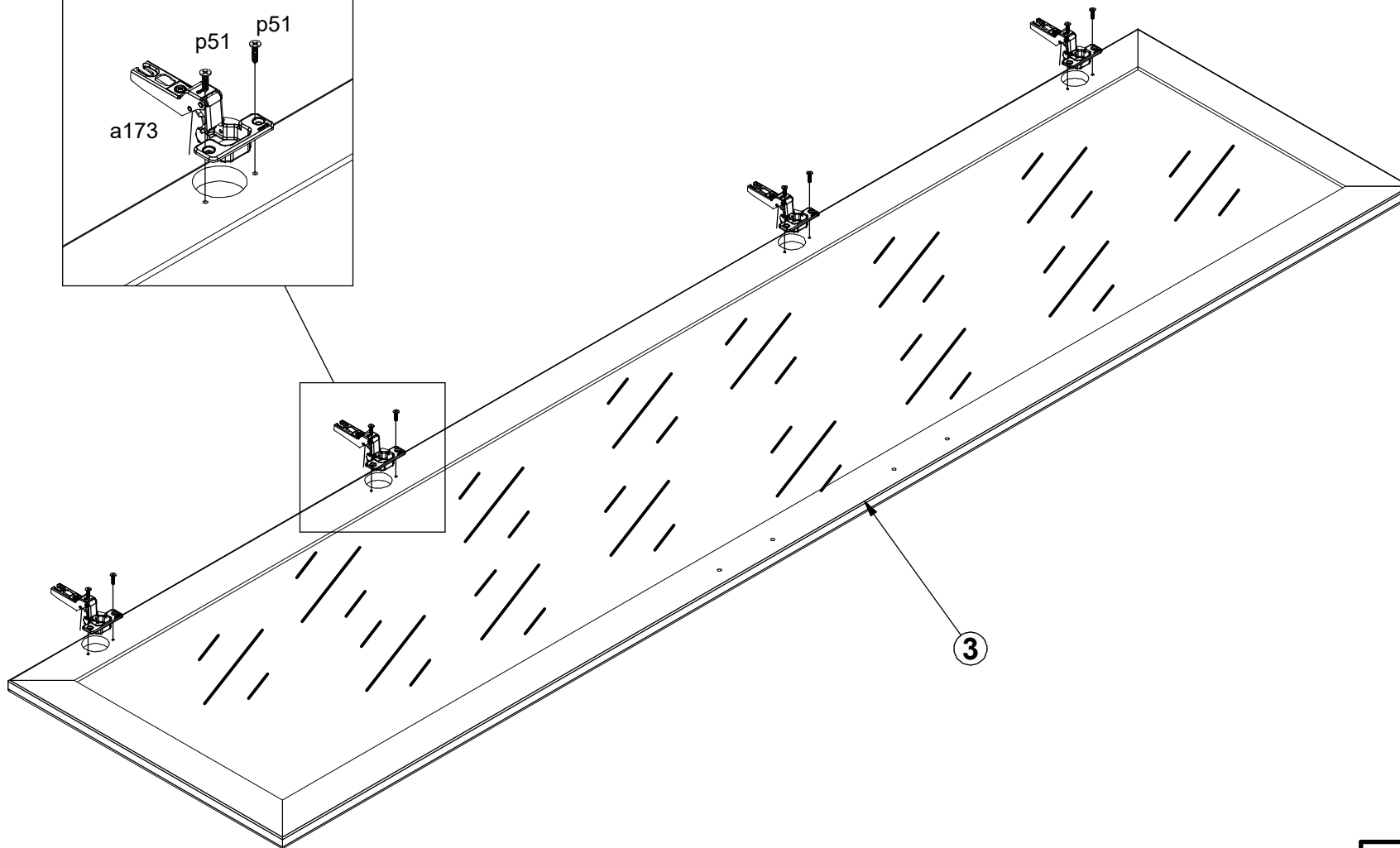
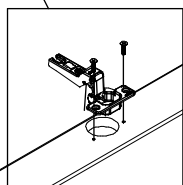
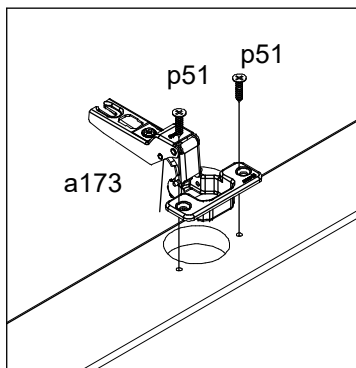
2x

2

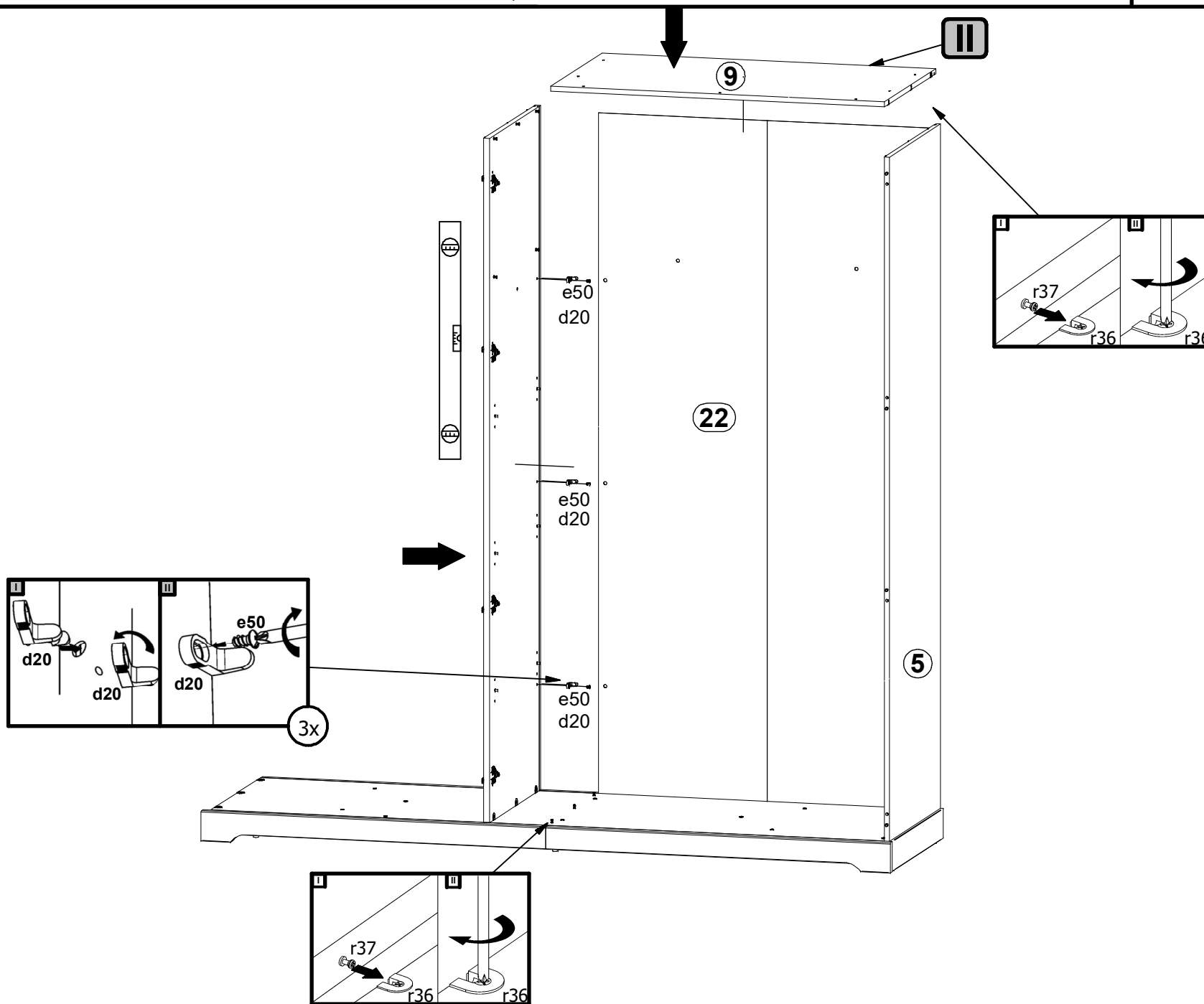
1



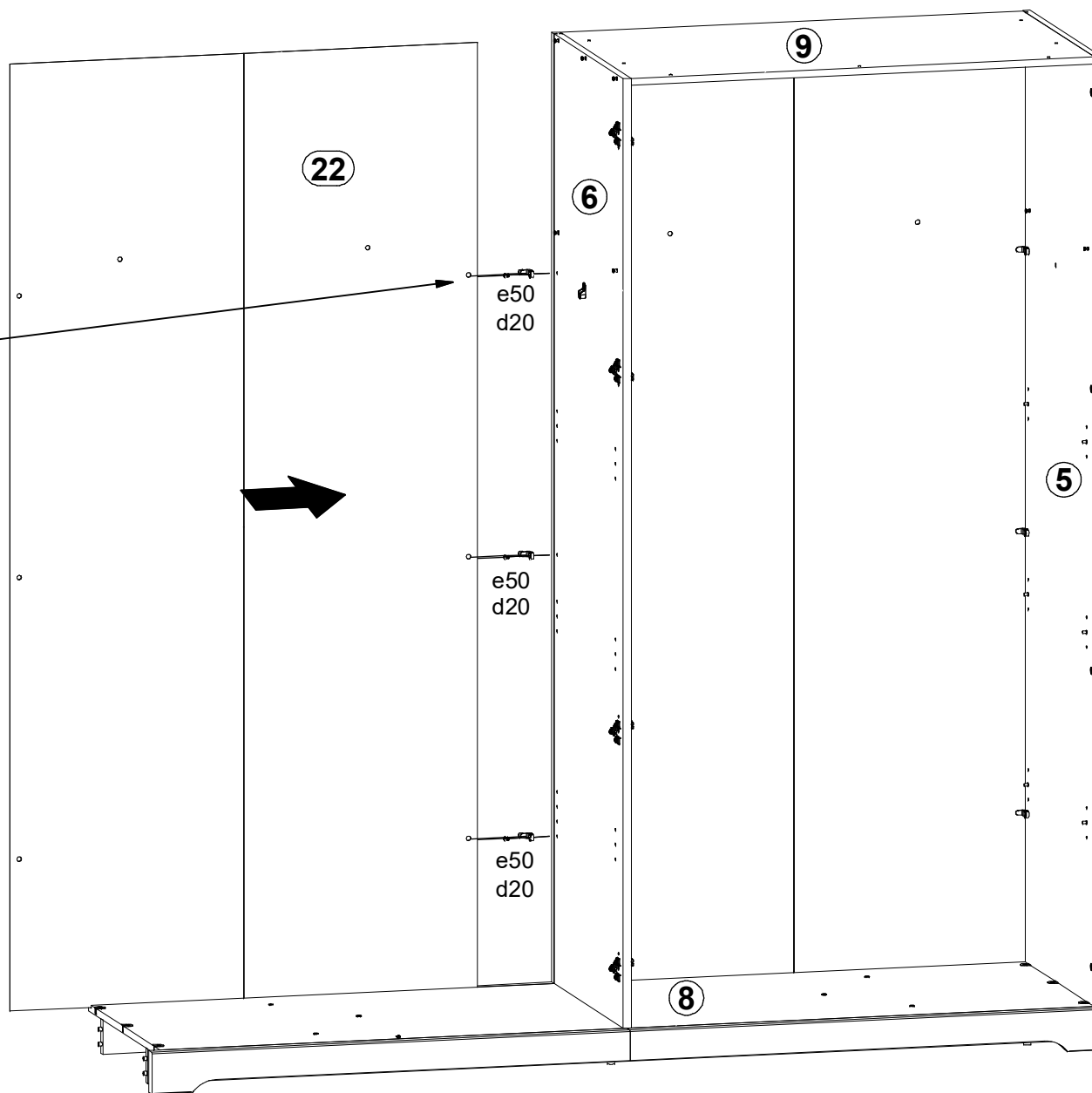
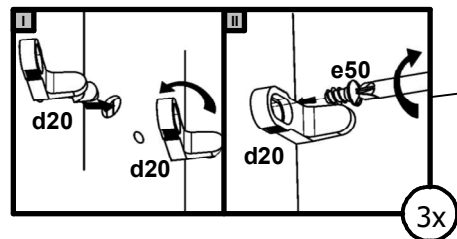
11



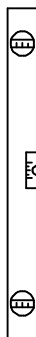
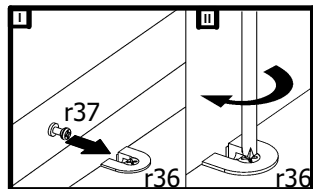
13



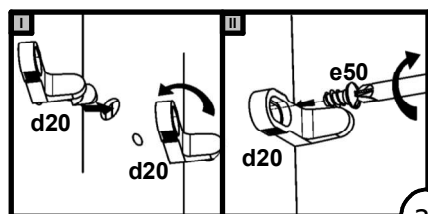
17



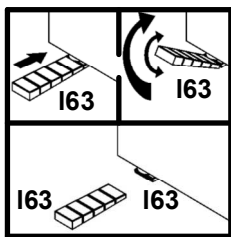
18



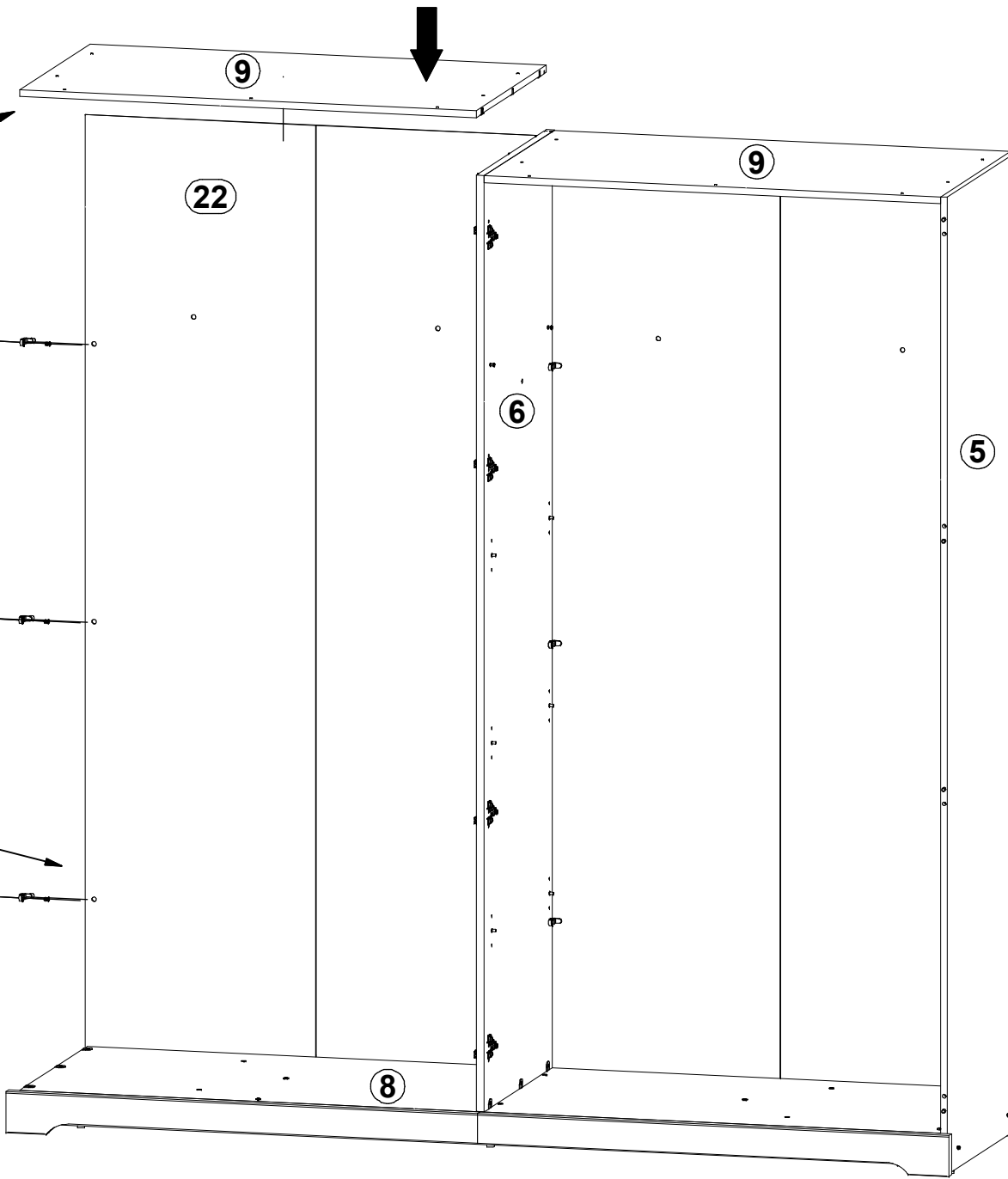
4



3x

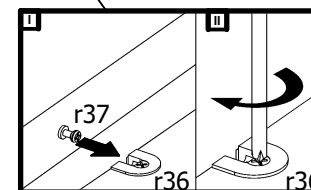
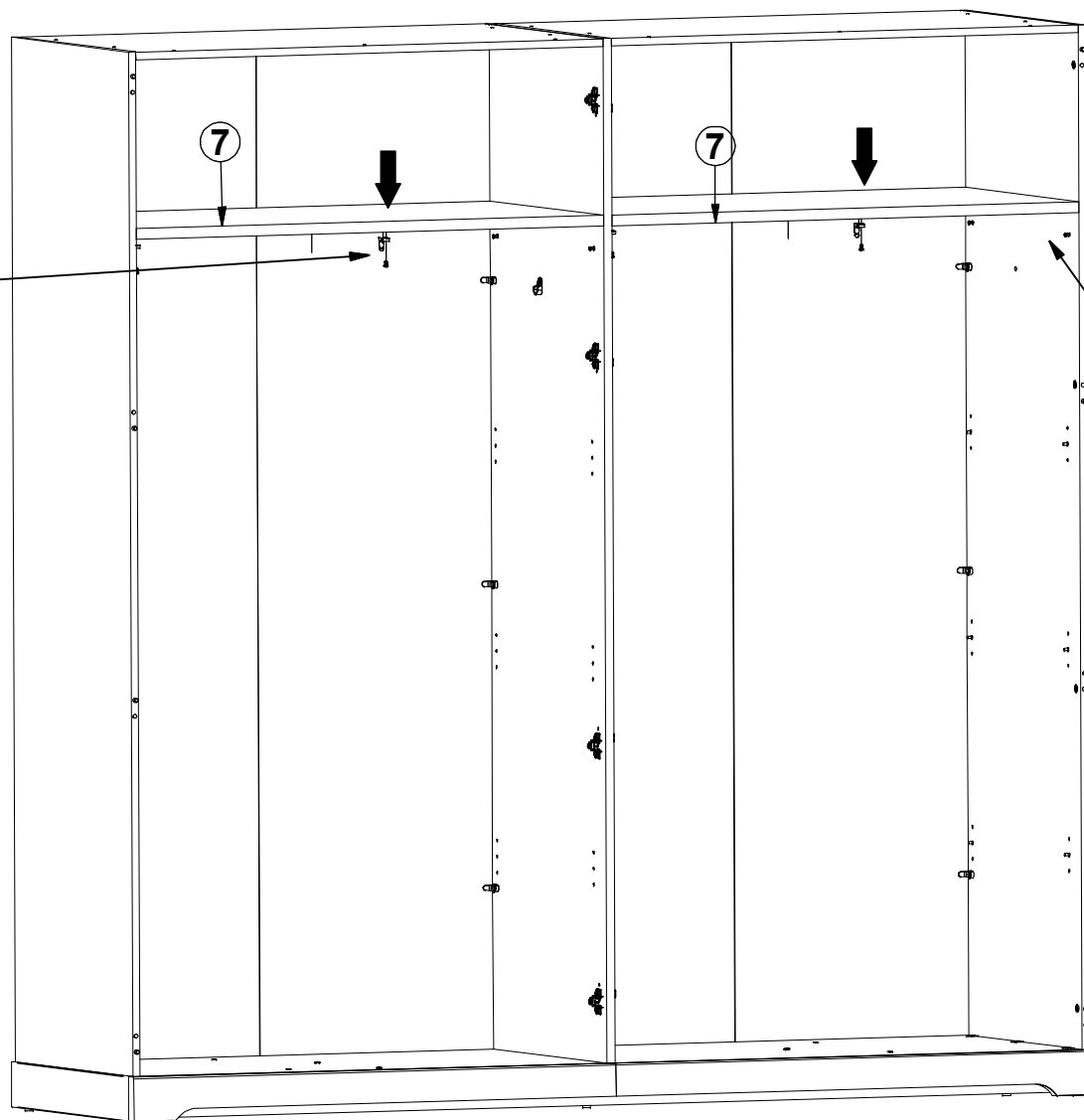
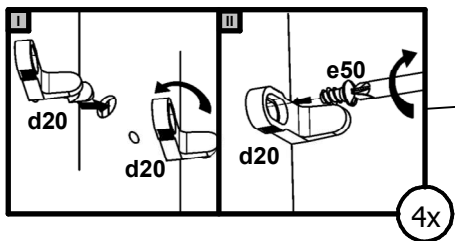


l63
l63



5

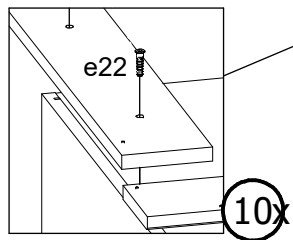
19



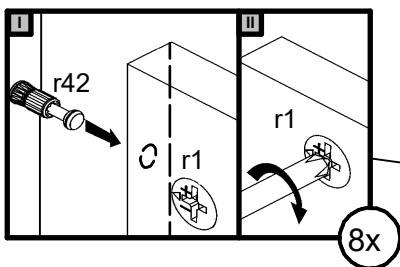
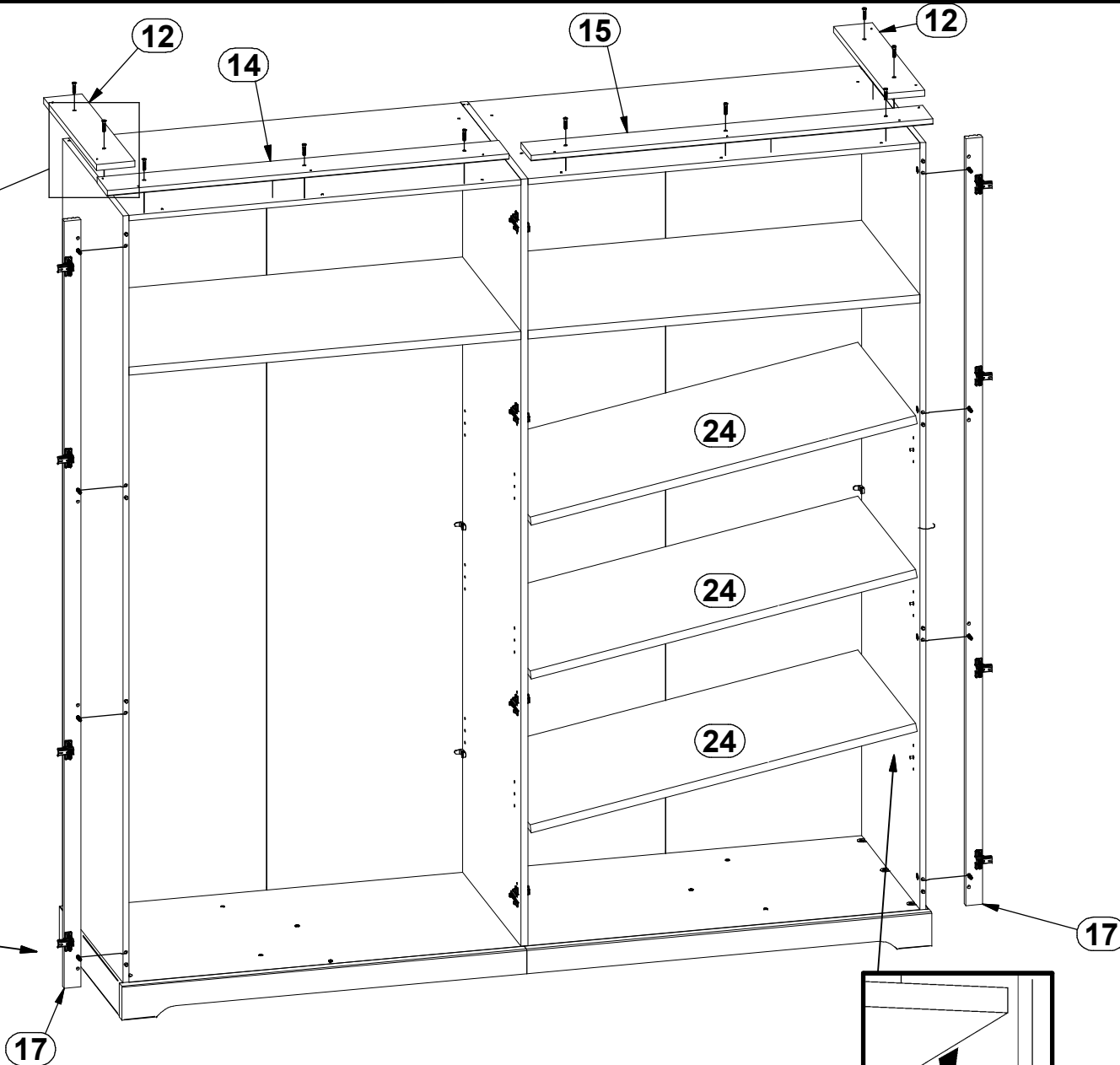
20



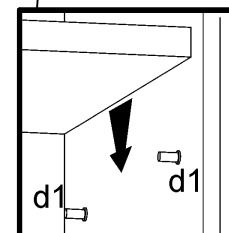
e22



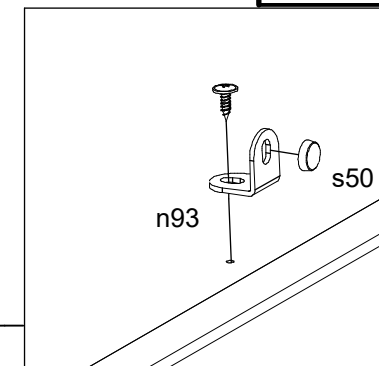
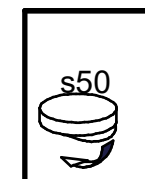
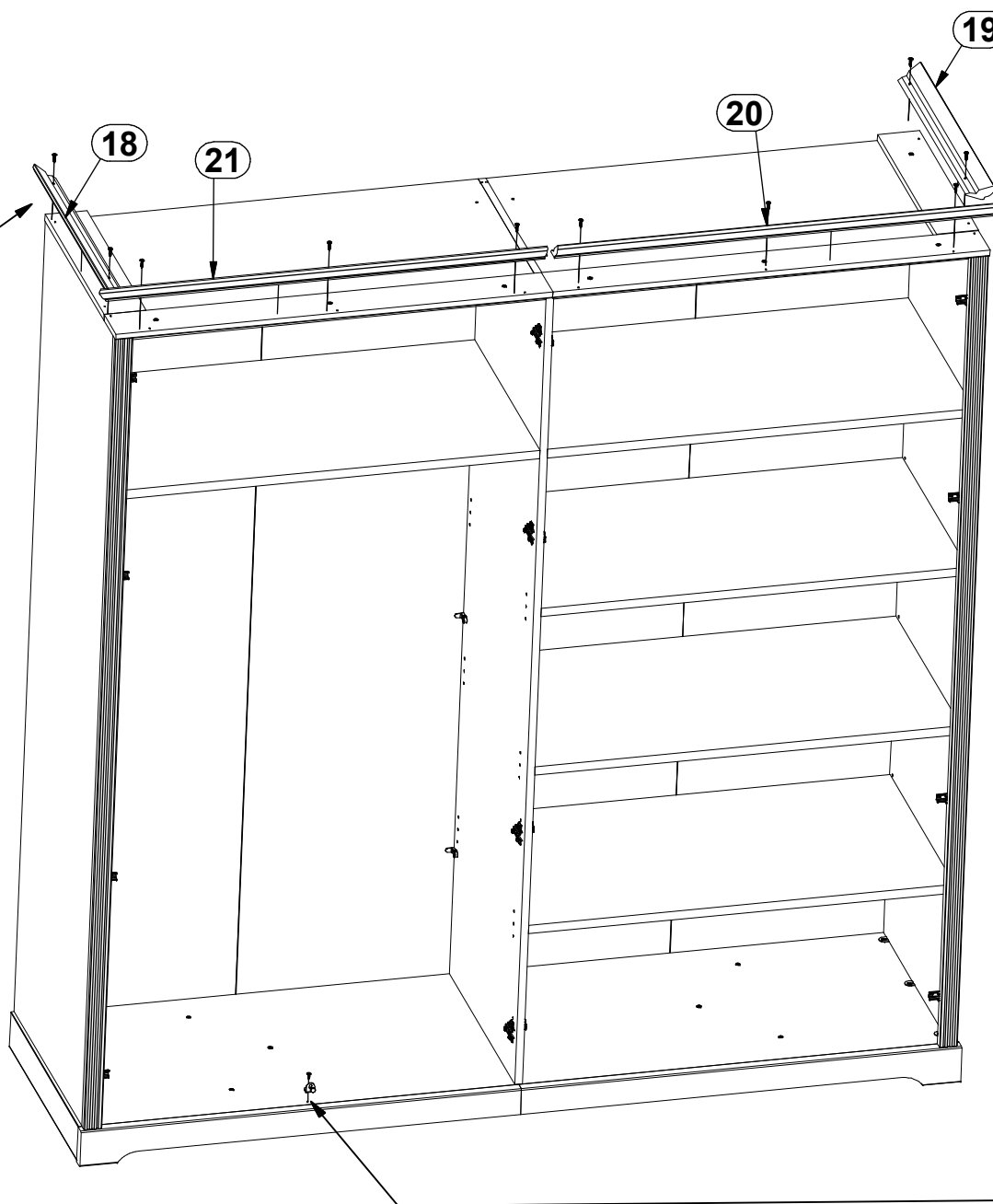
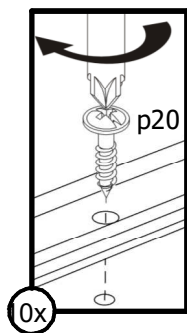
10x



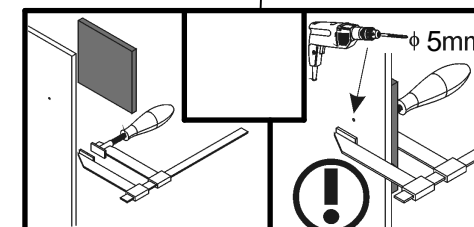
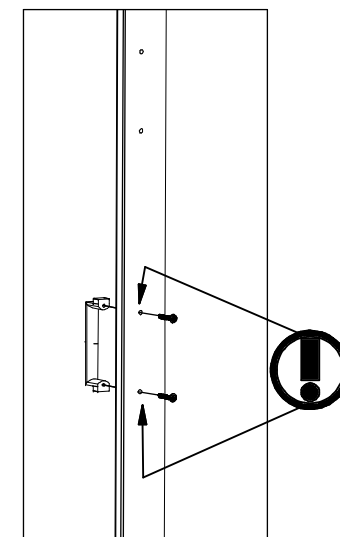
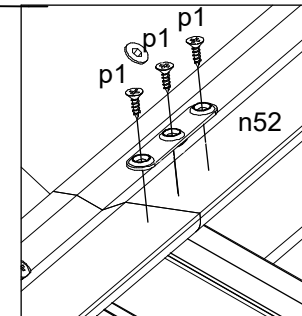
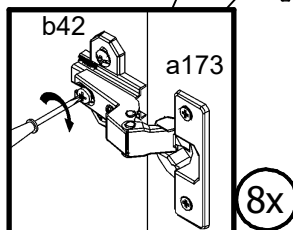
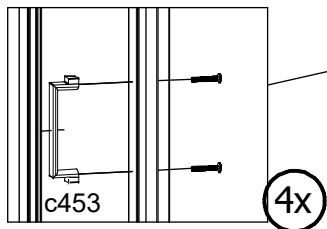
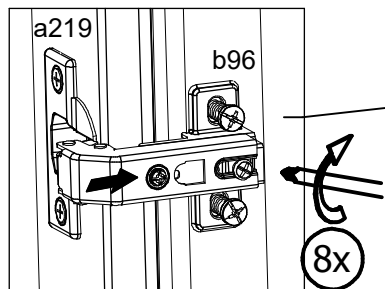
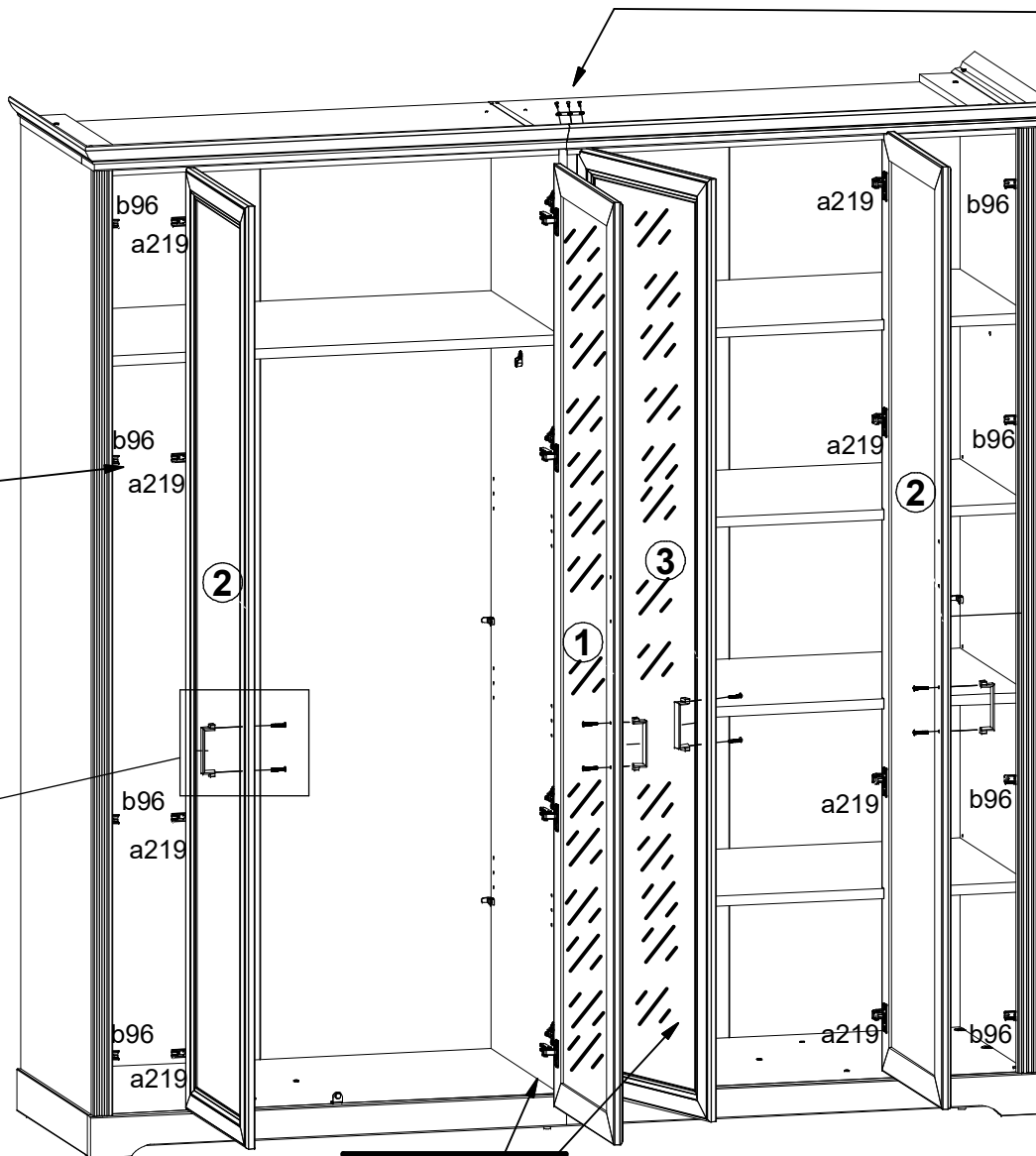
8x



21



22



23

