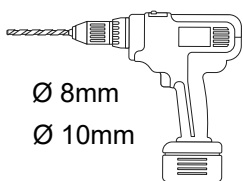
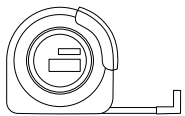
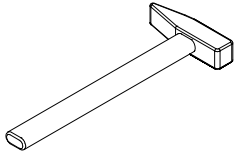
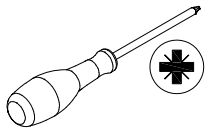
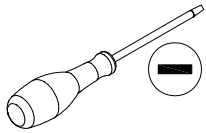
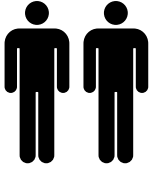
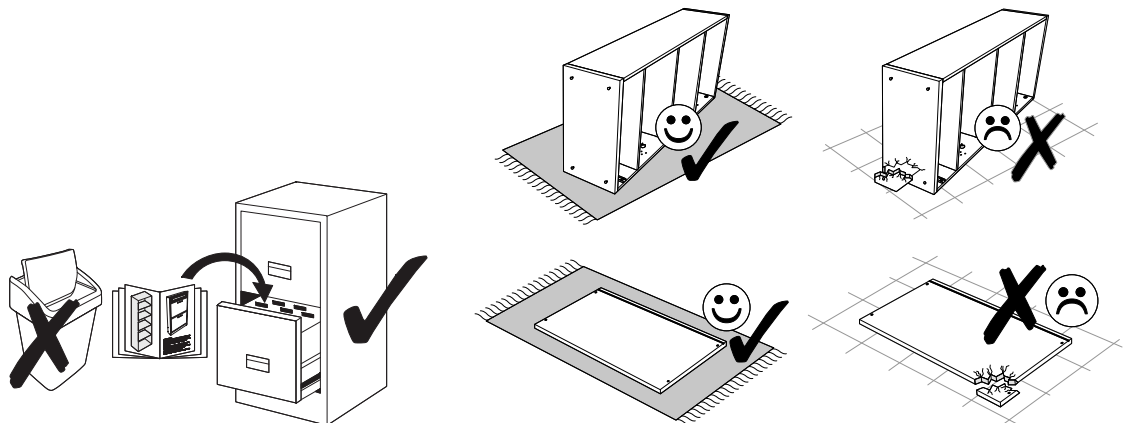
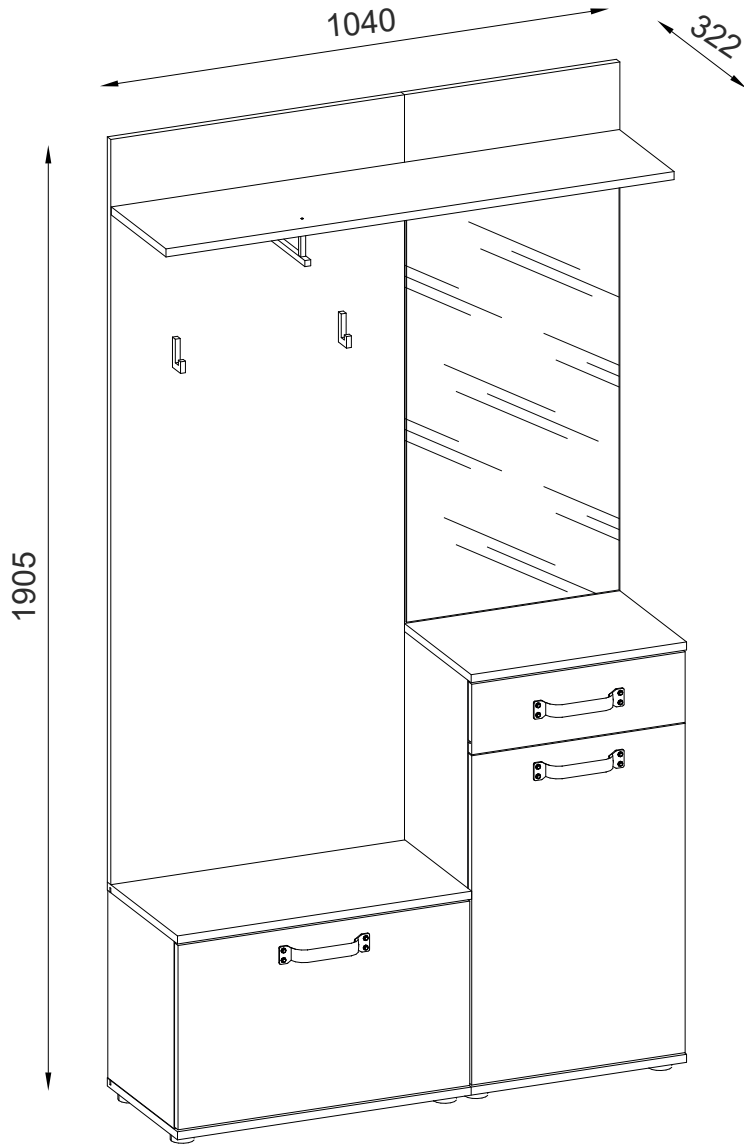


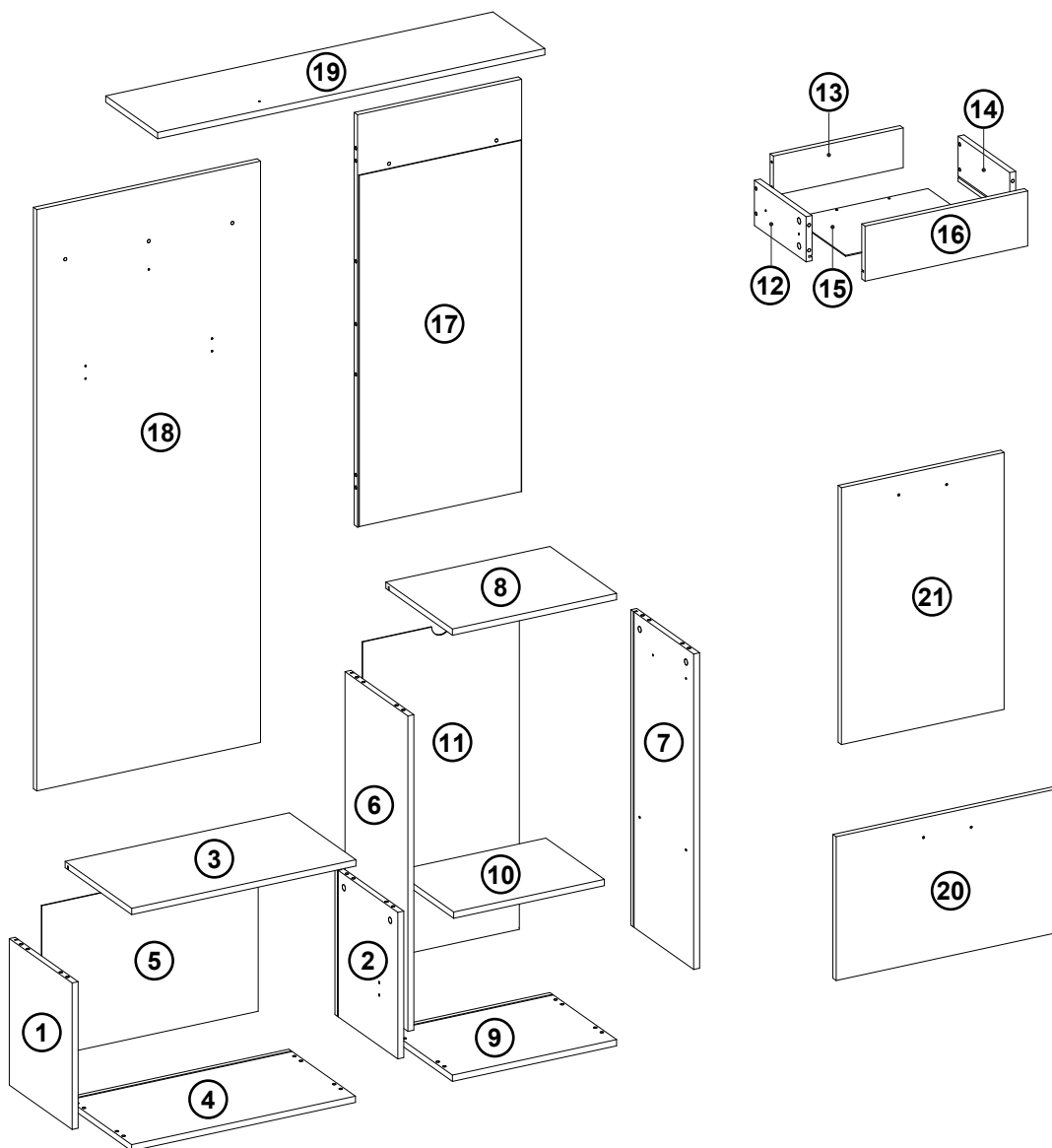
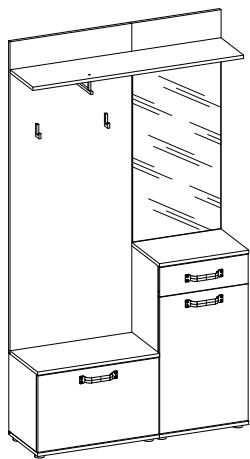


Modell **MO 6**



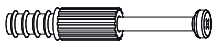

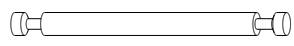
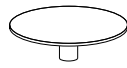


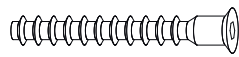
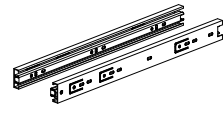
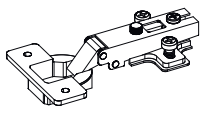
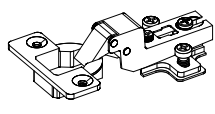

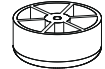
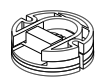



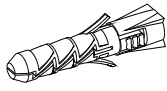
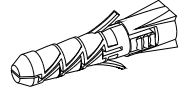


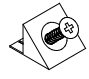

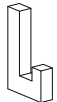
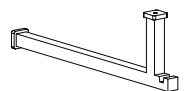

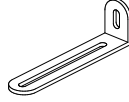



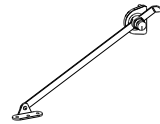
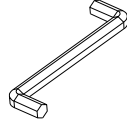
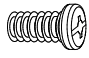

Ø 8mm  
Ø 10mm

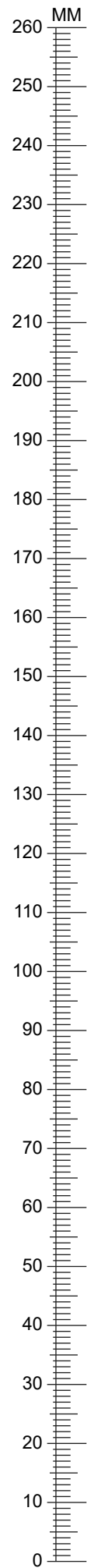




A	B (mm)		C	D
1	373	304	16	x1 1/2
2	373	304	16	x1 1/2
3	601	322	16	x1 1/2
4	600	322	16	x1 1/2
5	388	580	2,5	x1 2/2
6	803	304	16	x1 1/2
7	803	304	16	x1 1/2
8	440	322	16	x1 1/2
9	440	322	16	x1 1/2
10	404	283	16	x1 1/2

A	B (mm)		C	D
11	818	420	2,5	x1 1/2
12	250	115	16	x1 1/2
13	348	101	16	x1 1/2
14	250	115	16	x1 1/2
15	363	257	2,5	x1 1/2
16	436	140	16	x1 2/2
17	1050	440	16	x1 2/2
18	1480	600	16	x1 1/2
19	1038	251	16	x1 1/2
20	366	596	16	x1 2/2
21	654	436	16	x1 1/2

<p>12x</p>  <p>45mm <b>r23</b></p>	<p>18x</p>  <p>Ø 15x12mm <b>r1</b></p>	<p>3x</p>  <p>L=84mm <b>r24</b></p>
<p>8x</p>  <p>Ø 20mm <b>s2</b></p>	<p>16x</p>  <p>Ø 8x30mm <b>f1</b></p>	<p>4x</p>  <p>Ø 8x50mm <b>f2</b></p>
<p>17x</p>  <p>Ø 6,3x50mm <b>e27</b></p>	<p>1x</p>  <p>L=250mm <b>n2</b></p>	<p>2x</p>  <p>Ø 35mm <b>ab1</b></p>
<p>2x</p>  <p>Ø 35mm <b>ab2</b></p>	<p>4x</p>  <p>Ø 5mm <b>d1</b></p>	<p>8x</p>  <p>45x45x20mm <b>k54</b></p>
<p>4x</p>  <p>35x12mm <b>n15</b></p>	<p>8x</p>  <p>Ø 5x11 mm <b>e5</b></p>	<p>1x</p>  <p>Ø 4,2x65mm <b>p64</b></p>
<p>4x</p>  <p>55mm <b>j2</b></p>	<p>1x</p>  <p>Ø 8x50mm <b>y1</b></p>	<p>4x</p>  <p>Ø 10x50mm <b>y2</b></p>
<p>8x</p>  <p>Ø 4,2x25mm <b>p25</b></p>	<p>2x</p>  <p>Ø 4,2x19mm <b>p29</b></p>	<p>12x</p>  <p>10x10x15mm <b>l2</b></p>
<p>3x</p>  <p>L=184mm <b>c244</b></p>	<p>2x</p>  <p>46x40x10mm <b>k3</b></p>	<p>1x</p>  <p>231x70mm <b>w</b></p>
<p>12x</p>  <p>Ø 4x25mm <b>p26</b></p>	<p>1x</p>  <p>L=75x25x15mm <b>n14/2</b></p>	<p>4x</p>  <p>Ø 6mm <b>r5</b></p>
<p>11x</p>  <p>Ø 3x16mm <b>p50</b></p>	<p>8x</p>  <p>Ø 3,5x16mm <b>p51</b></p>	<p>1x</p>  <p>250mm <b>m3</b></p>
<p>1x</p>  <p>4mm <b>z1</b></p>	<p>4x</p>  <p>Ø 6,3x13 mm <b>e2</b></p>	<p>4x</p>  <p>Ø 5x13 mm <b>e3</b></p>



# 1

f1 x 8  
Ø 8x30mm

r23 x 4  
45mm

n14/2 x 1  
L=75x25x15mm

p50 x 2  
Ø 3x16mm

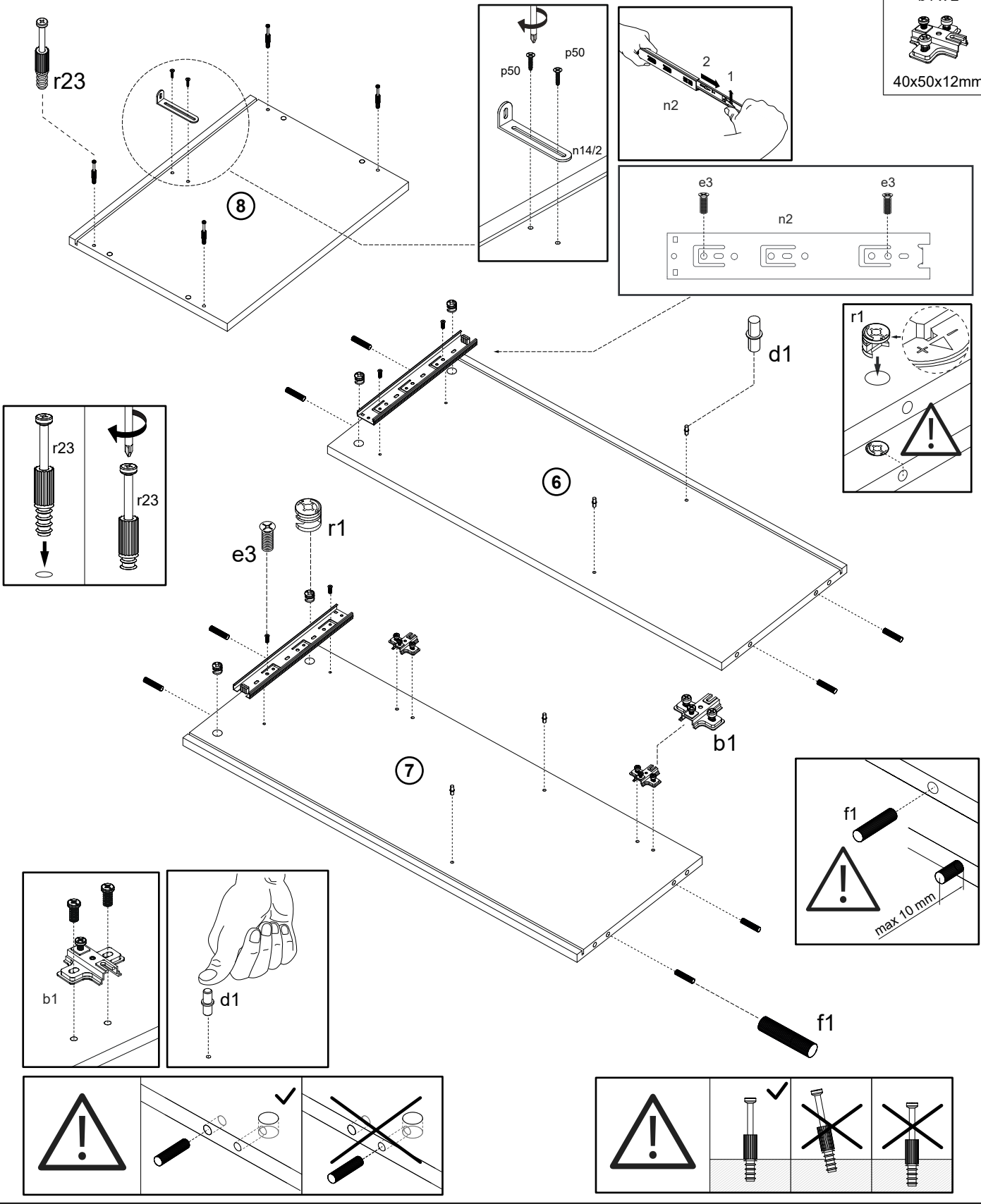
e3 x 4  
Ø 5x13mm

n2 x 1  
L=350mm

r1 x 4  
Ø 15x12mm

d1 x 4  
Ø 5mm

b1 x 2  
40x50x12mm





# 2

f1 x 8



Ø 8x30mm

r23 x 4



45mm

r1 x 4

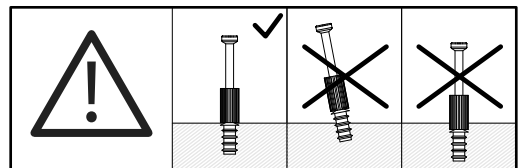
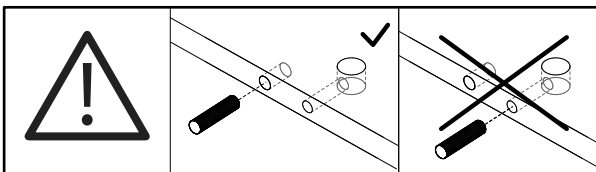
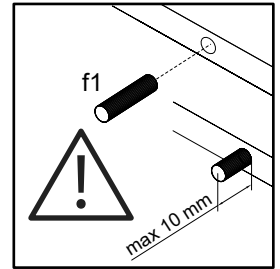
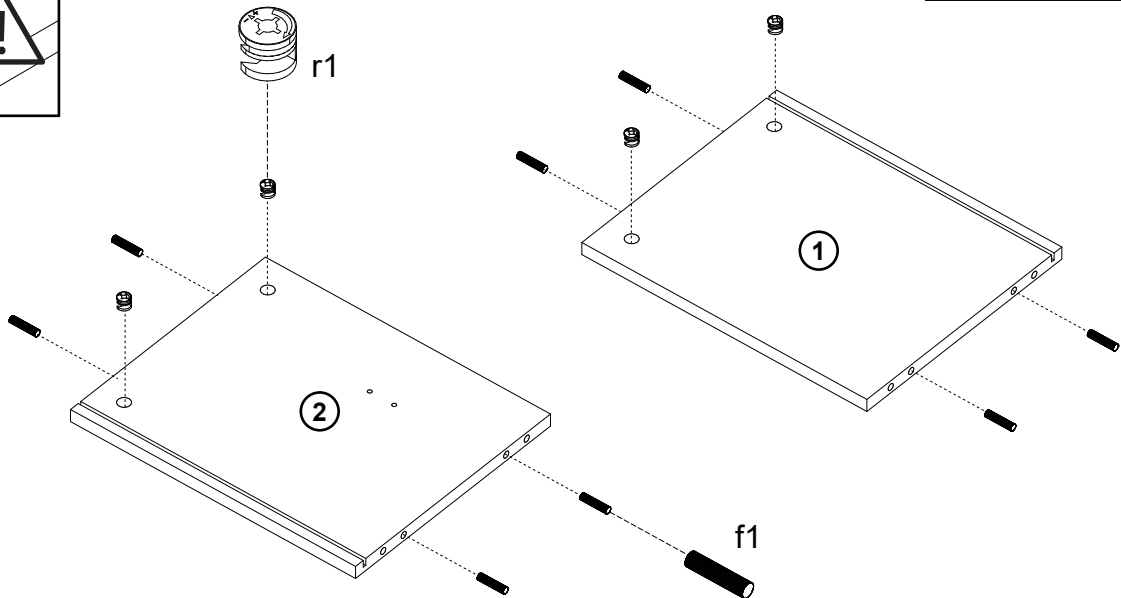
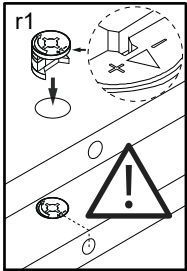
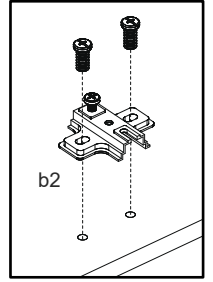
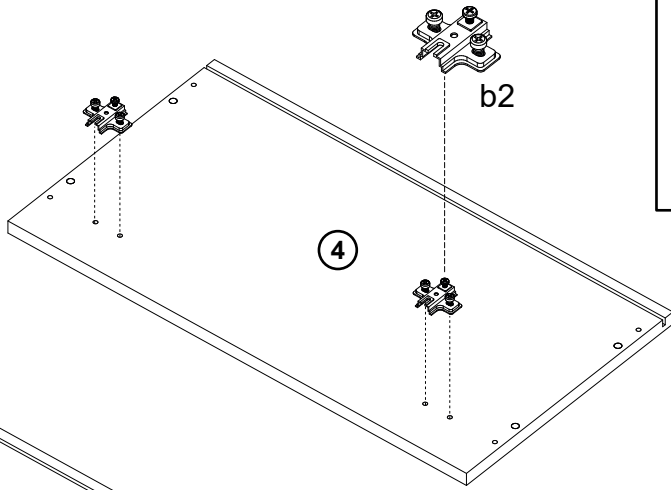
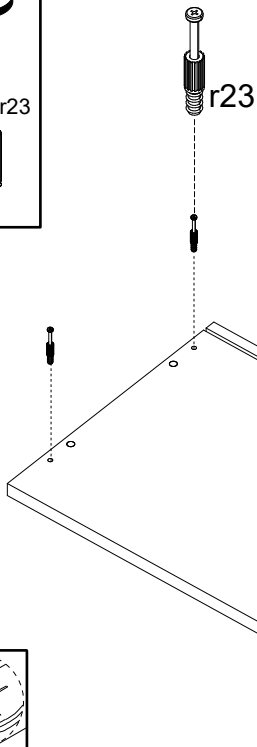
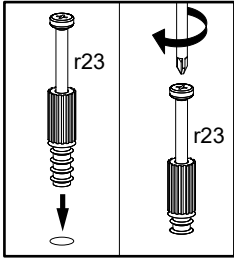


Ø 15x12mm

b2 x 2



40x50x12mm



# 3

r1 x 6



Ø 15x12mm

n15 x 4



35x12mm

e5 x 8

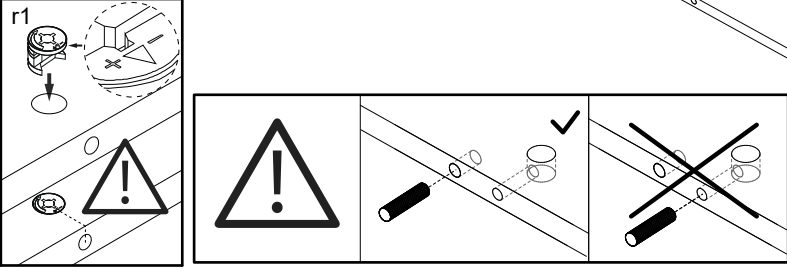
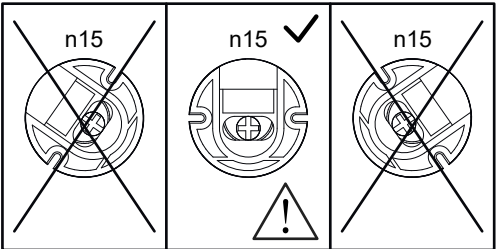
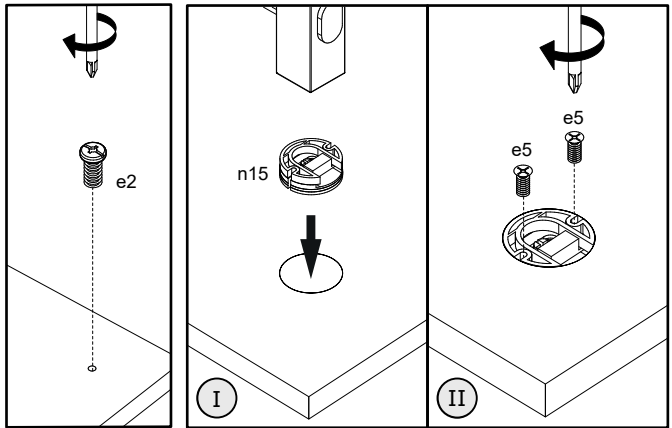
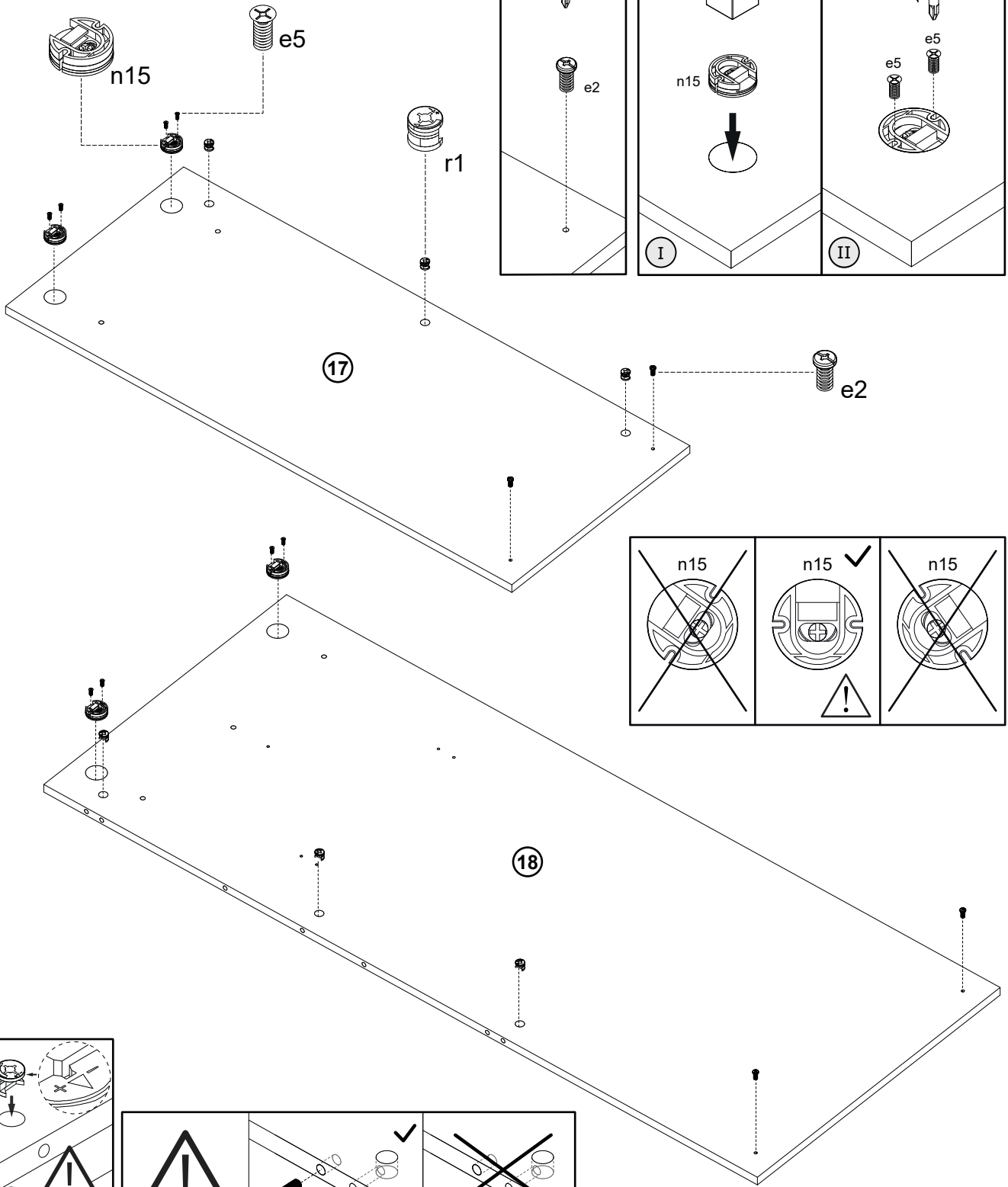


Ø 5x11mm

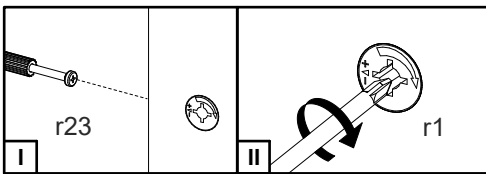
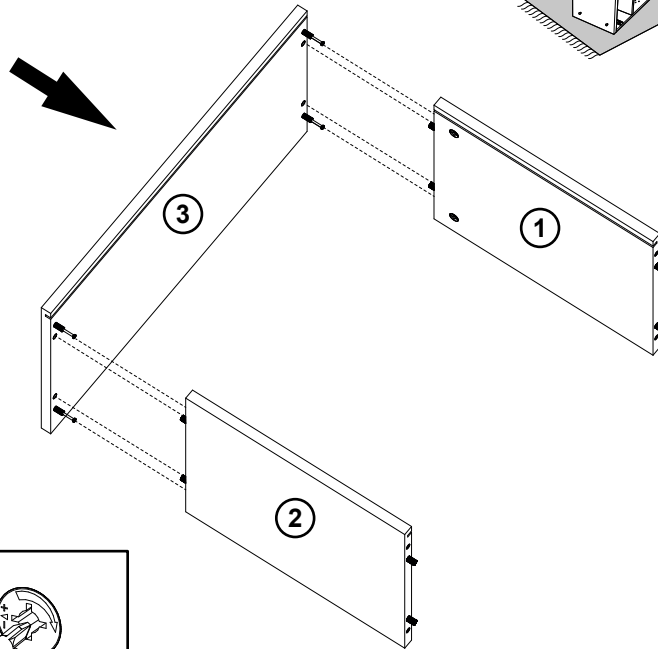
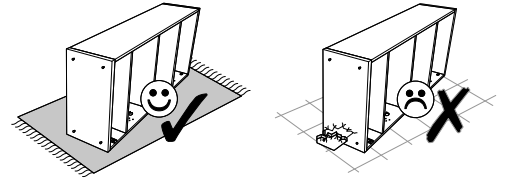
e2 x 4



Ø 6,3x13mm

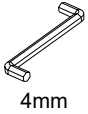


# 4



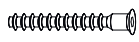
# 5

z1 x 1

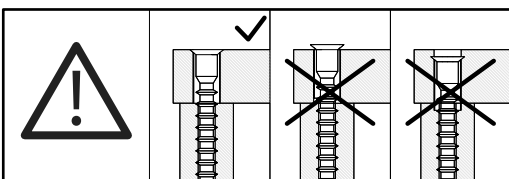
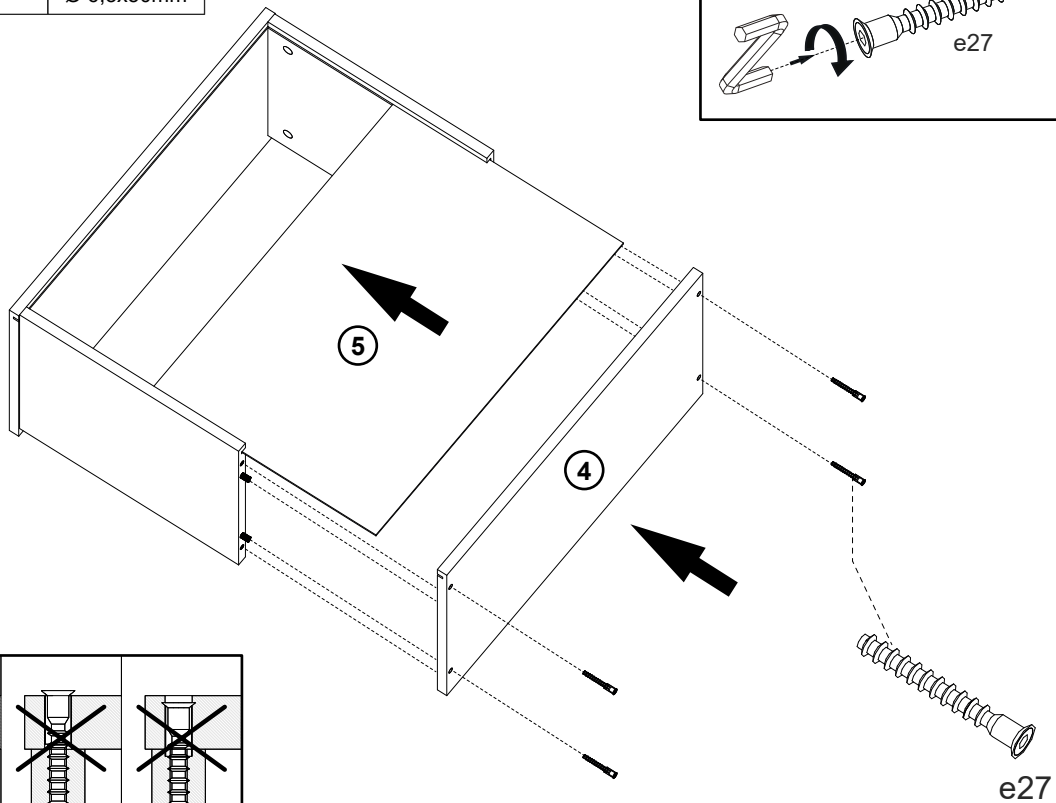
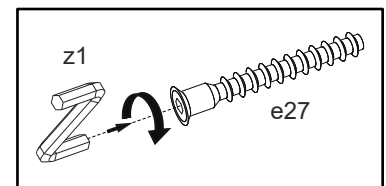


4mm

e27 x 4



Ø 6,3x50mm



# 6

I2 x 6



10x10x15mm

k54 x 4

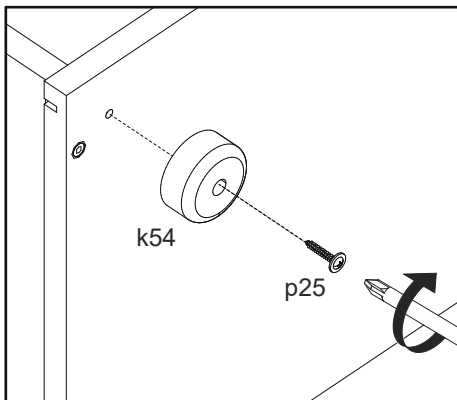
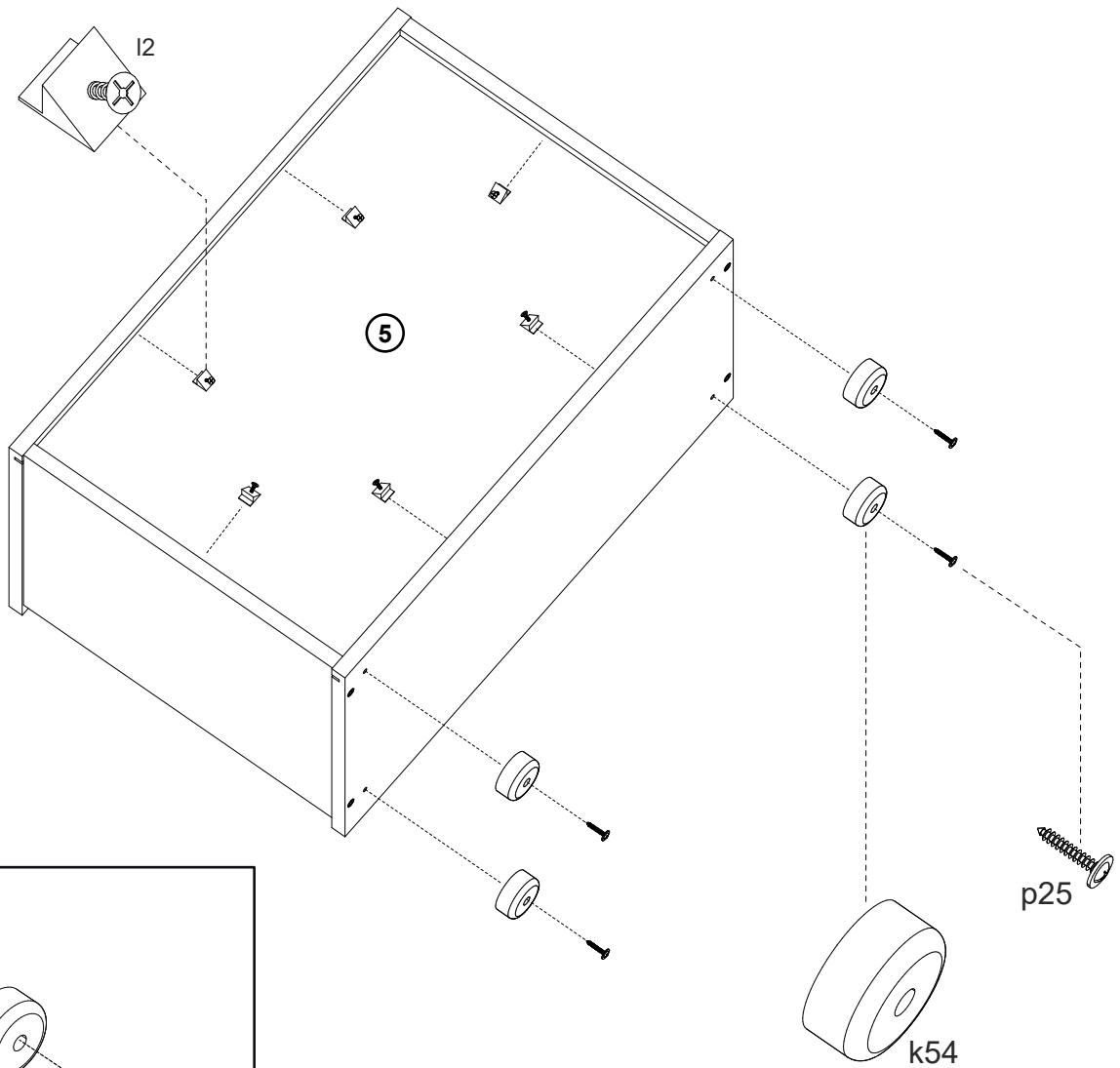
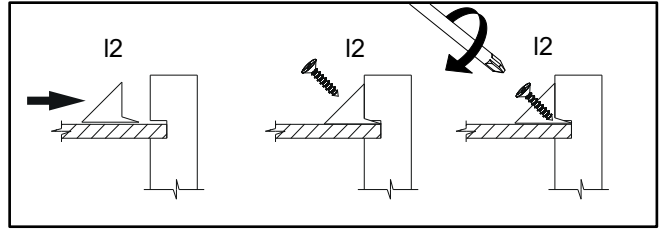
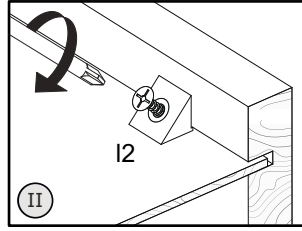
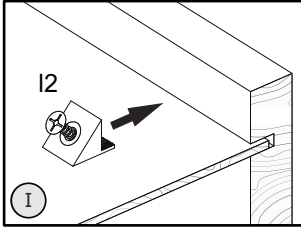
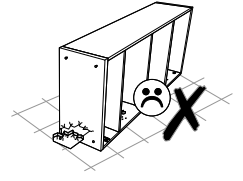
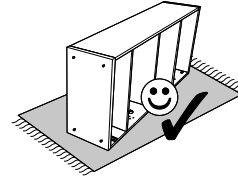


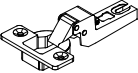



45x45x20mm

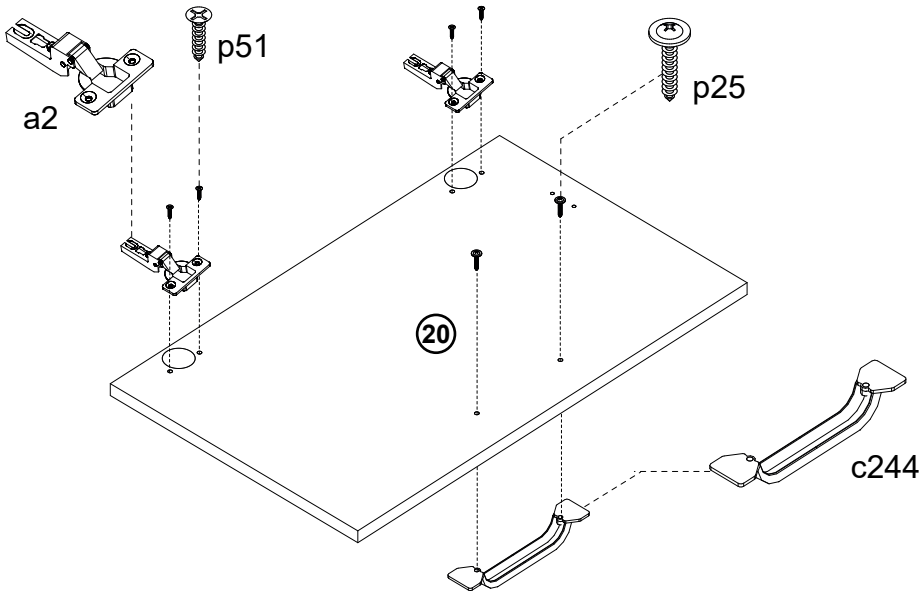
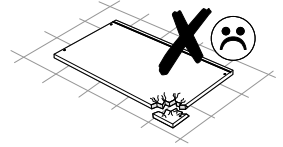
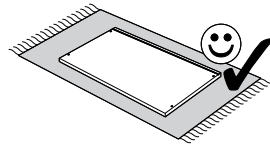
p25 x 4






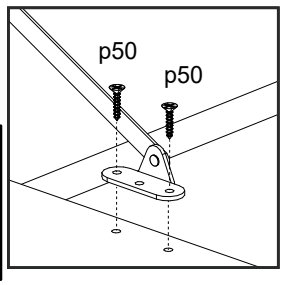
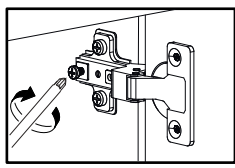
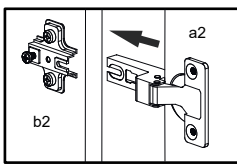
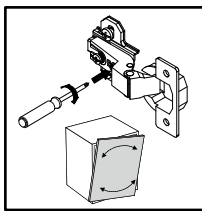
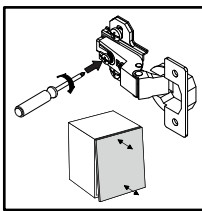
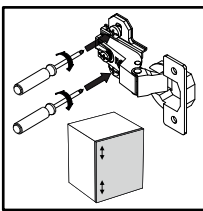
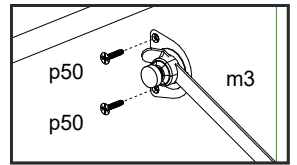
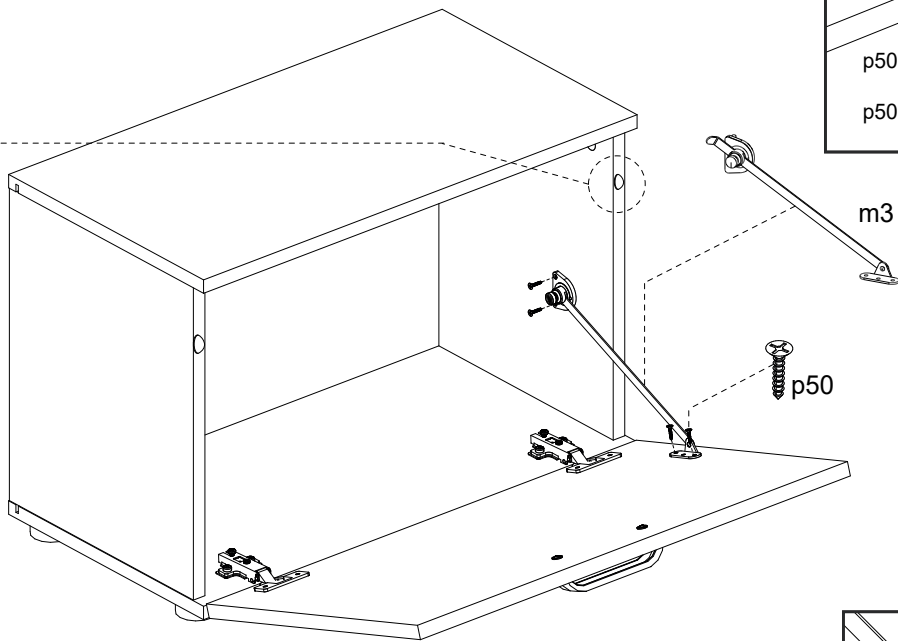
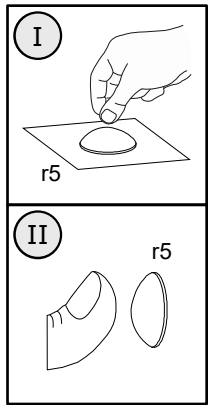
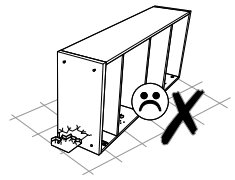
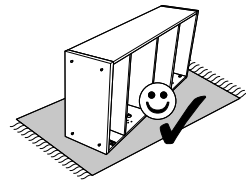
Ø 4,2x25mm



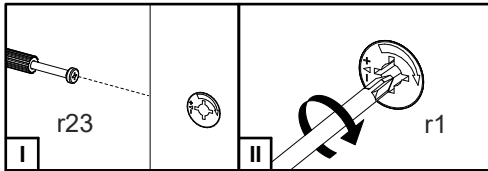
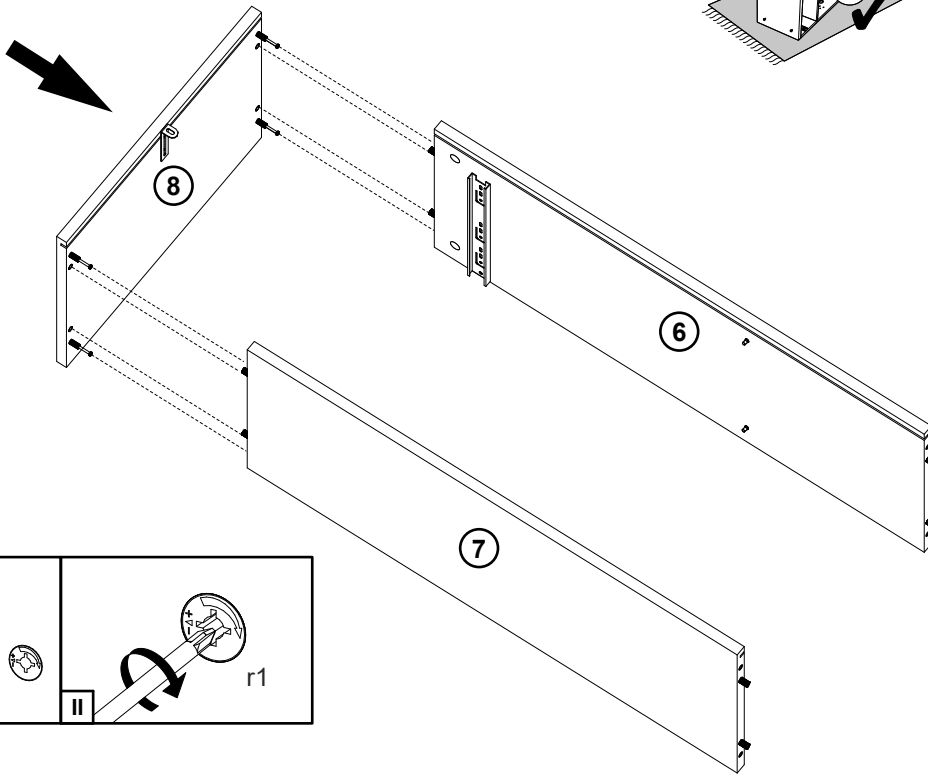
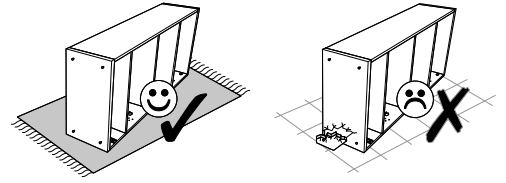
<b>7</b>	a2 x 2	p51 x 4	p25 x 2	c244 x 1
	 Ø 35mm	 Ø 3,5x16mm	 Ø 4,2x25mm	 L=184mm



<b>8</b>	p50 x 4	m3 x 1	r5 x 2
	 Ø 3x16mm	 250mm	 Ø 6mm



# 9



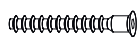
# 10

z1 x 1

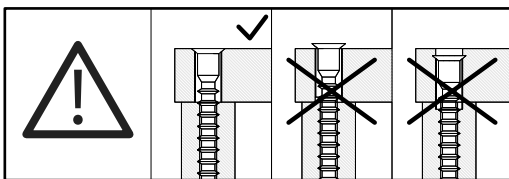
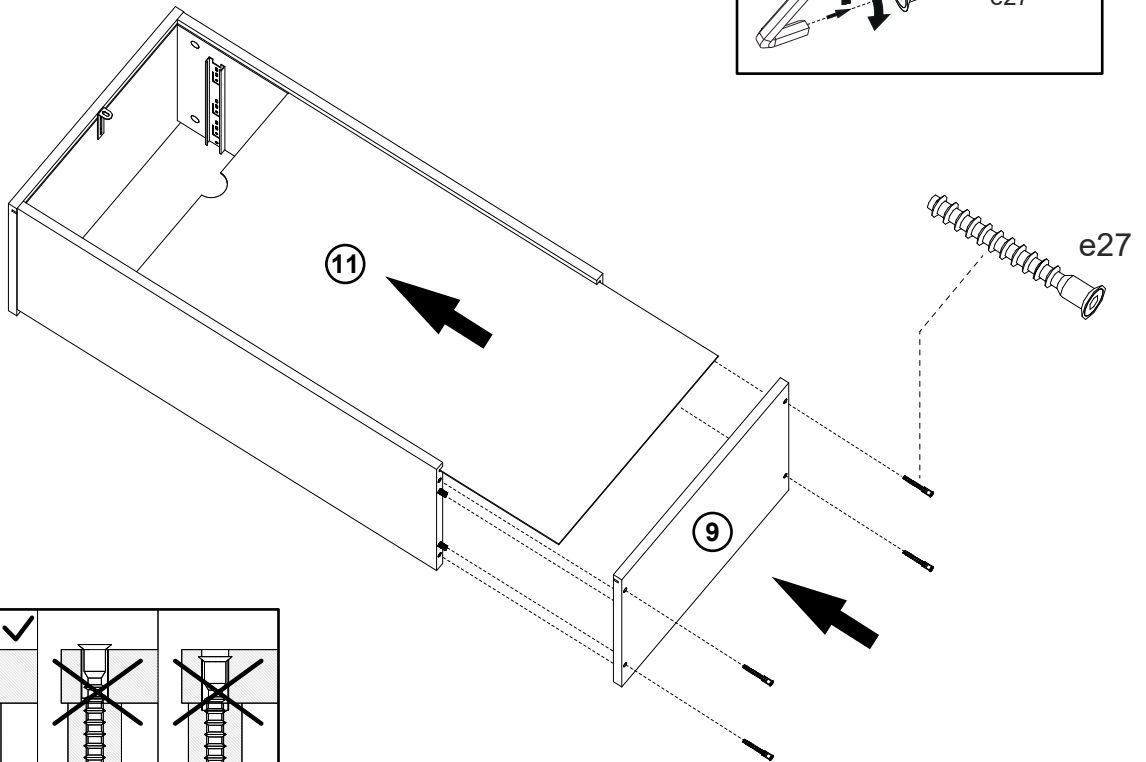
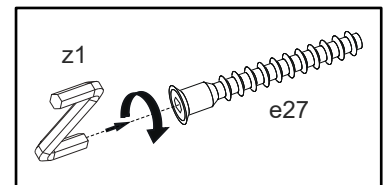


4mm

e27 x 4



Ø 6,3x50mm



# 11

I2 x 6



10x10x15mm

k54 x 4

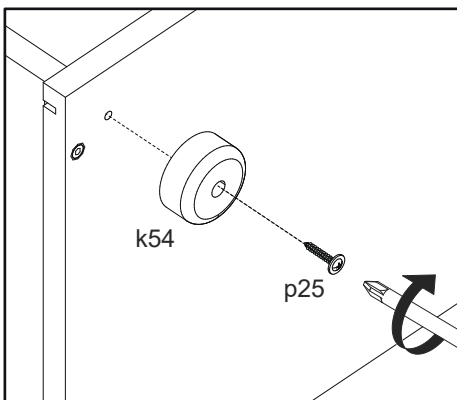
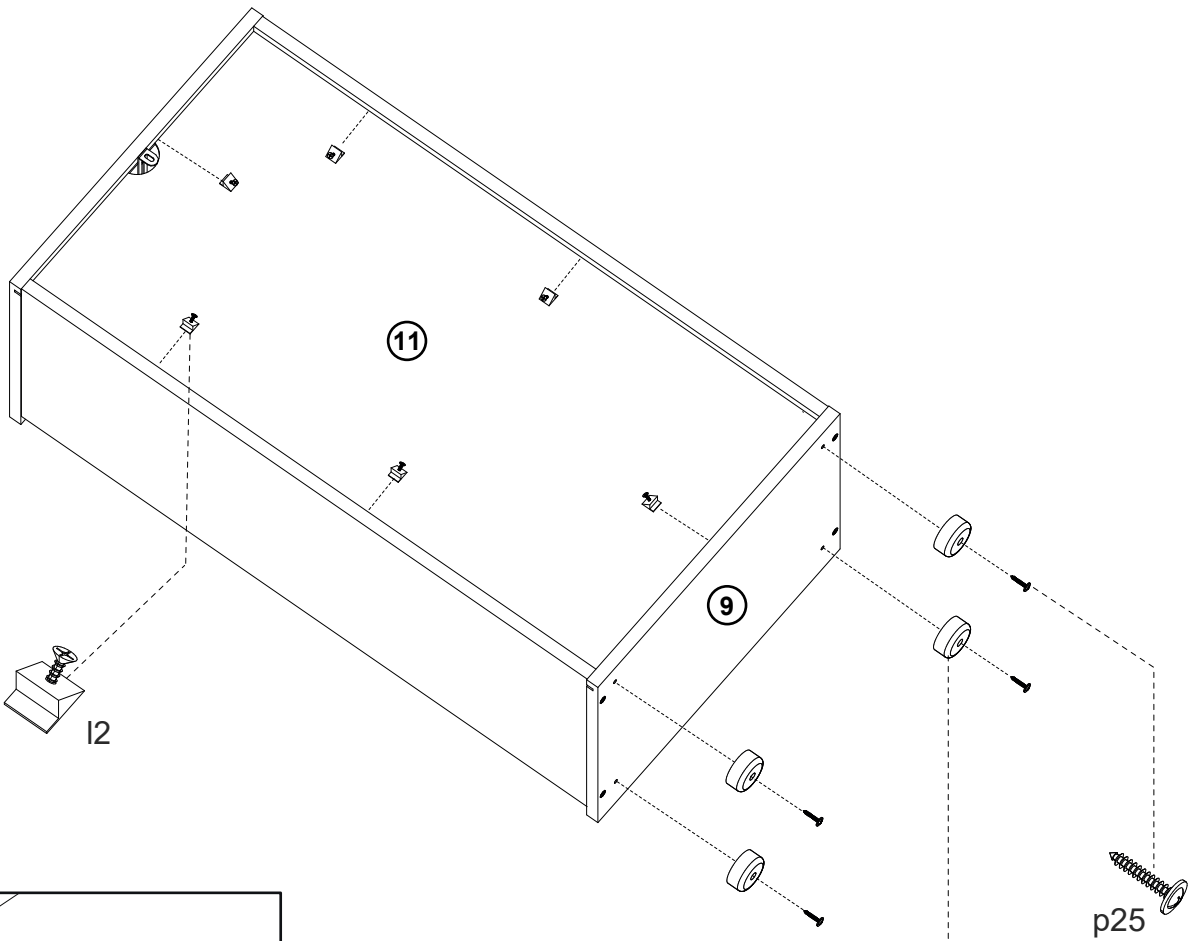
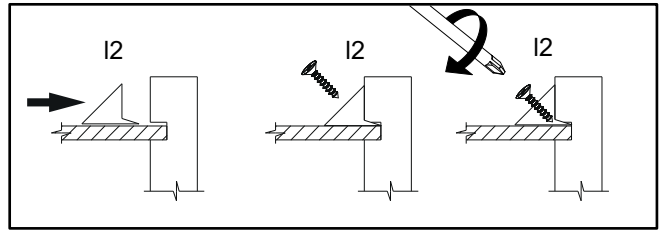
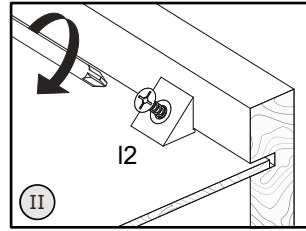
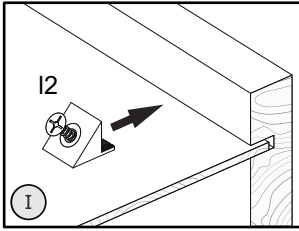
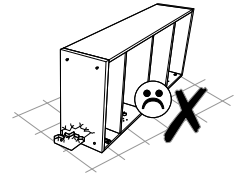
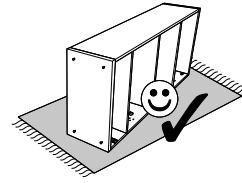


45x45x20mm

p25 x 4



Ø 4,2x25mm



# 12

p26 x 2



Ø 4x25mm

c244 x 1



L=184mm

r1 x 4



Ø 15x12mm

r23 x 4



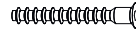
45mm

z1 x 1

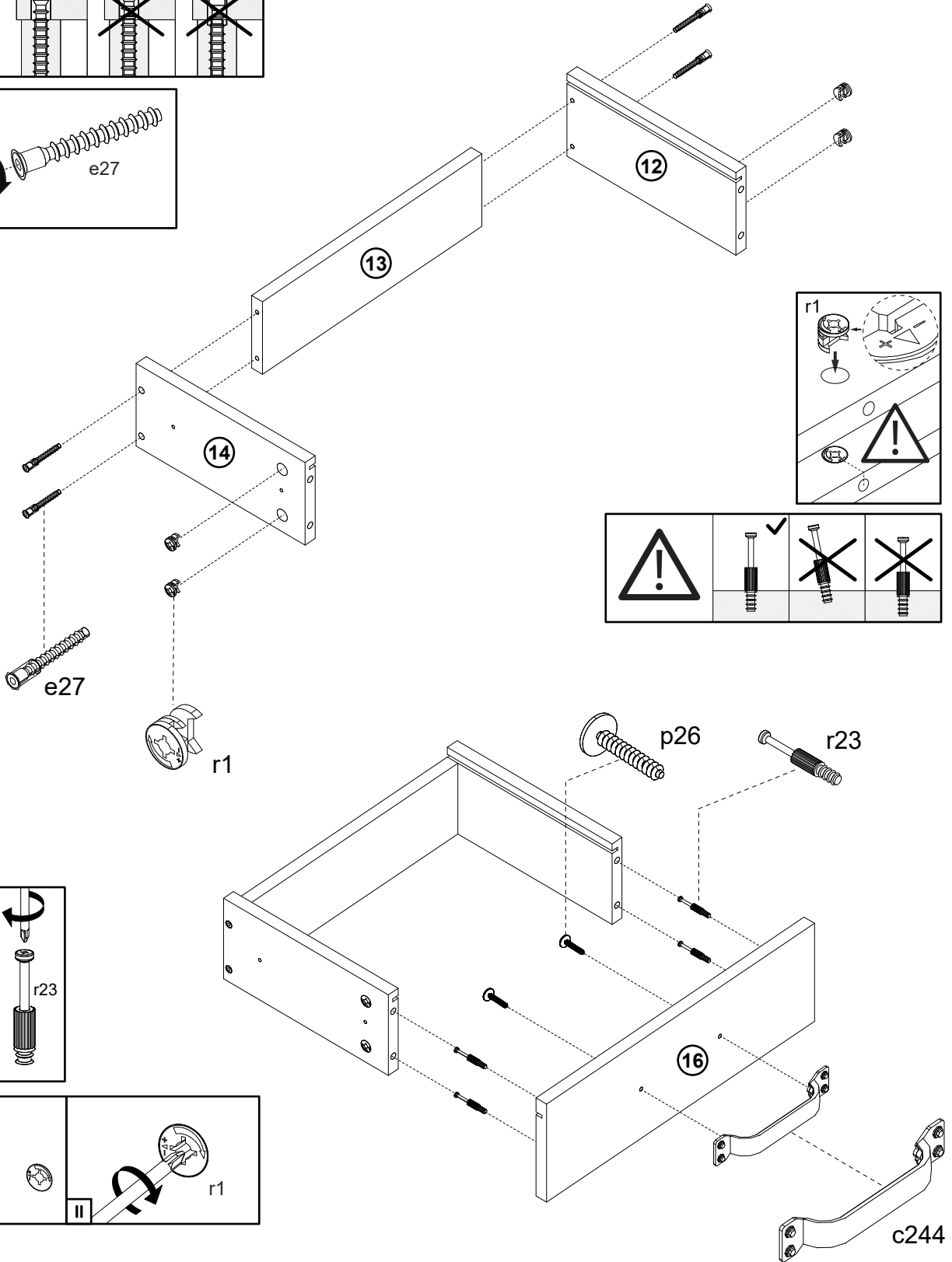
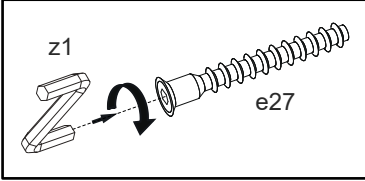
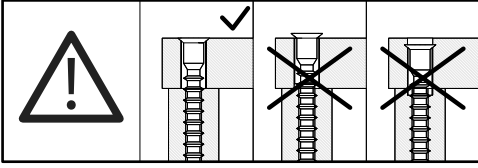


4mm

e27 x 4



Ø 6,3x50mm





# 13

p29 x 2



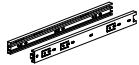
Ø 4,2x19mm

p50 x 4



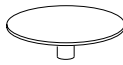
Ø 3x16mm

n2 x 1

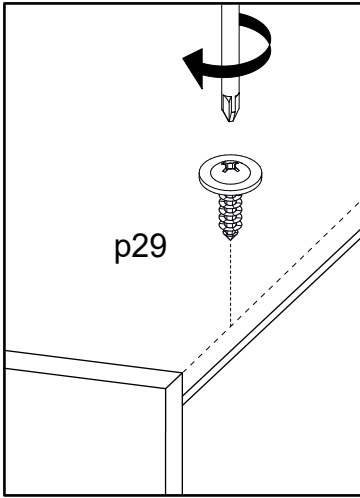


L=250mm

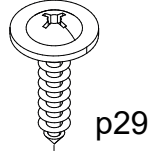
s2 x 4



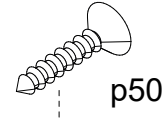
Ø 20mm



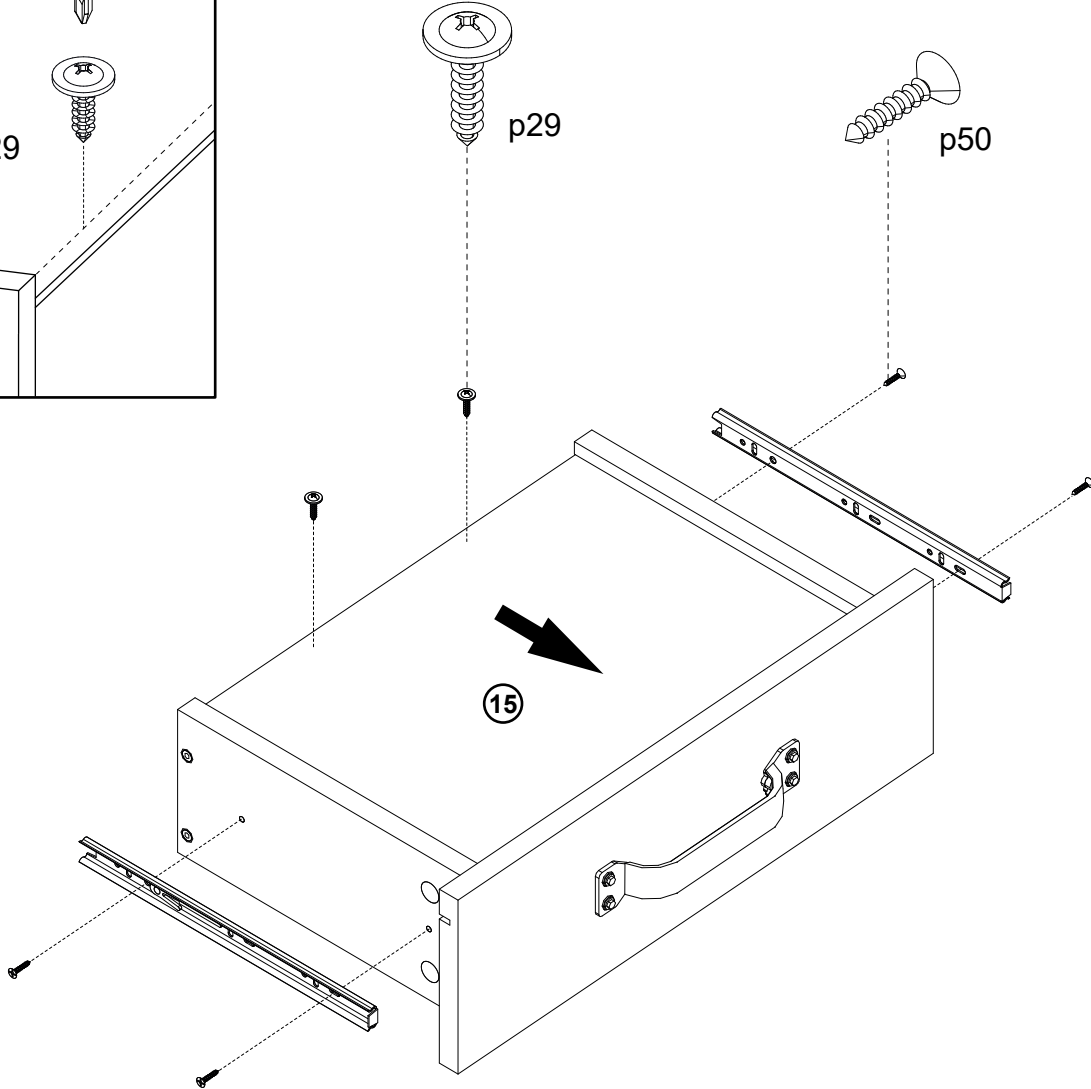
p29



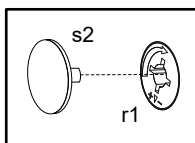
p29



p50

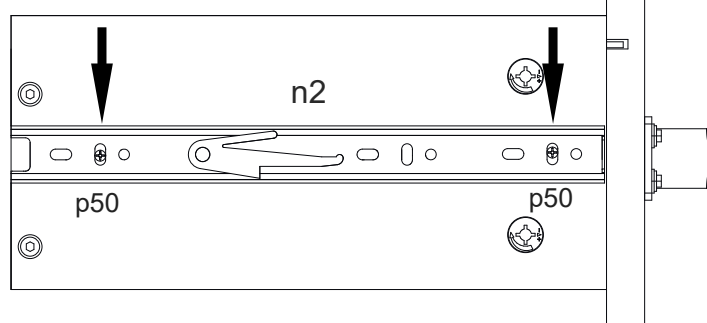


15



s2

r1



n2

p50

p50

# 14

y1 x 1

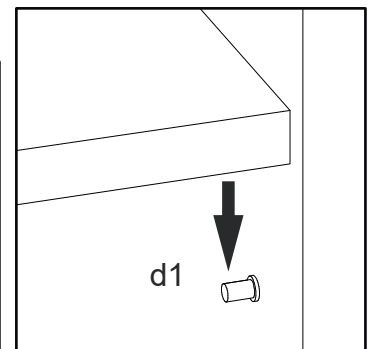
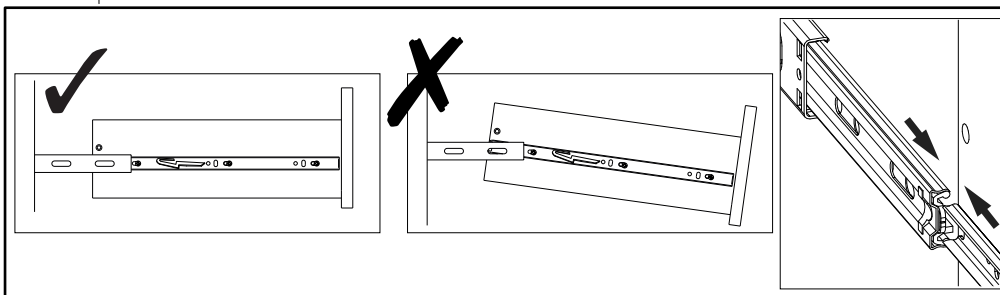
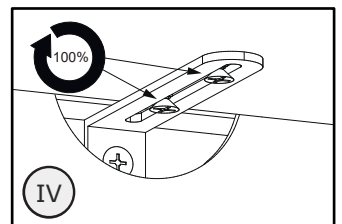
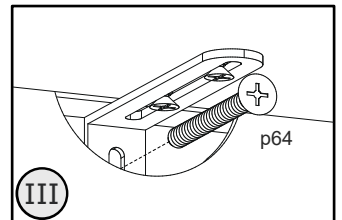
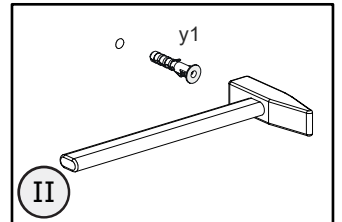
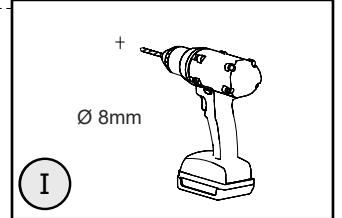
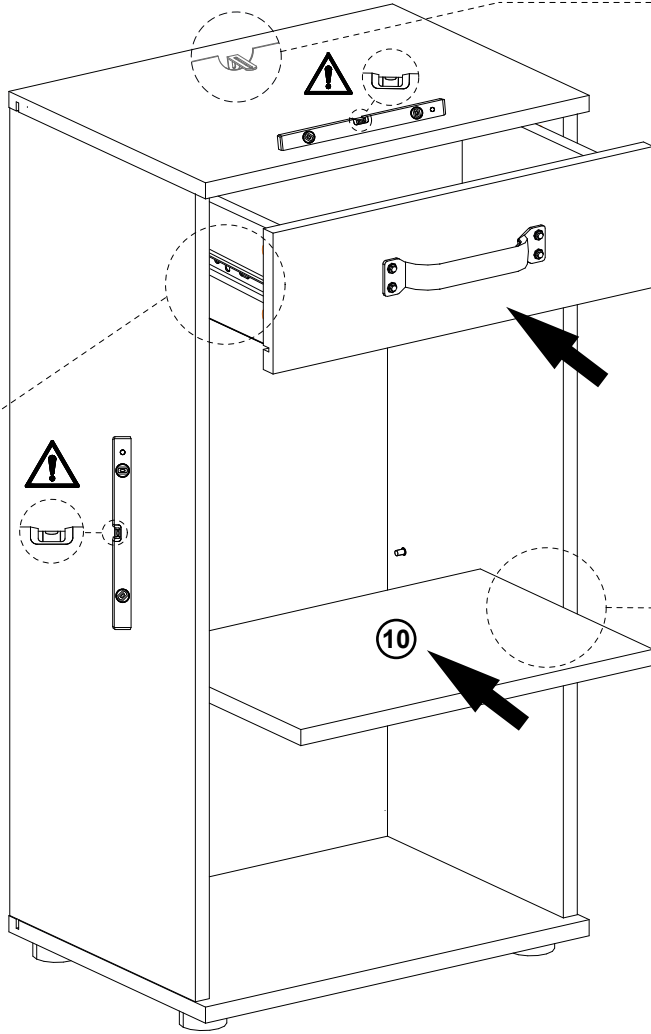


Ø 8x50mm

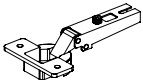


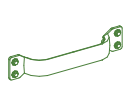
p64 x 1

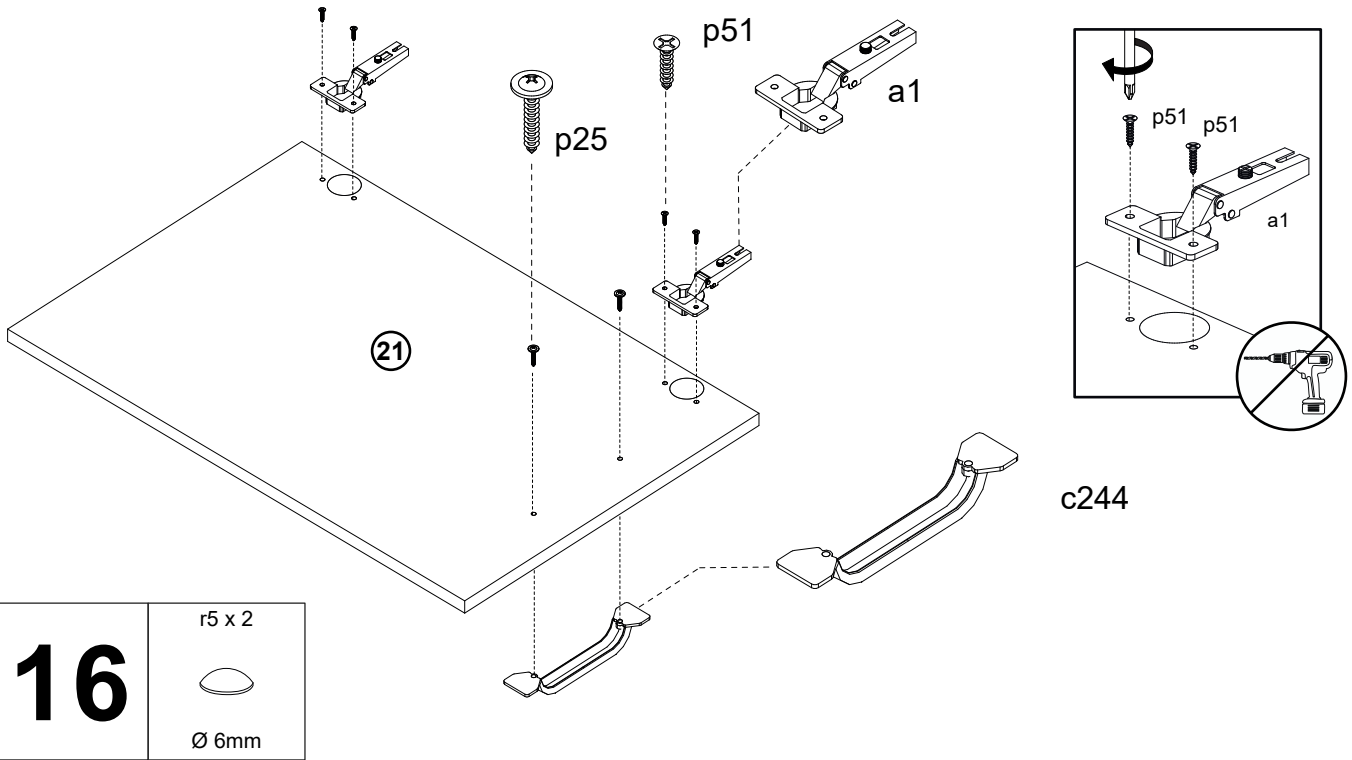
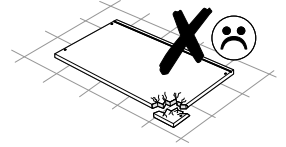
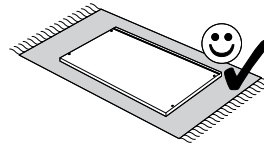


Ø 4,2x65mm




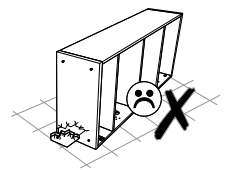
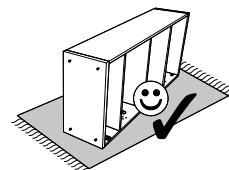
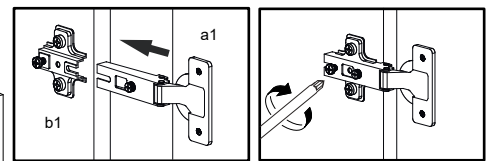
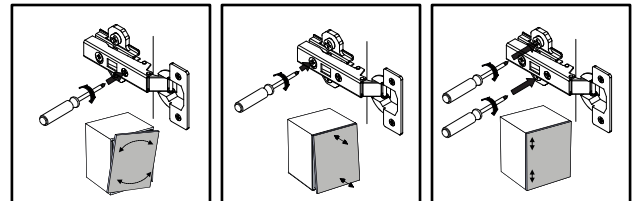
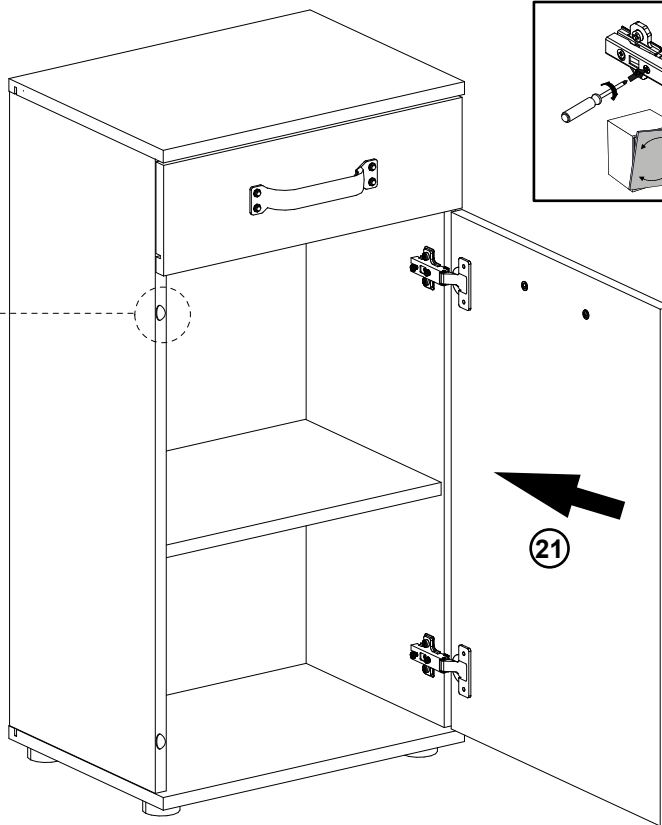
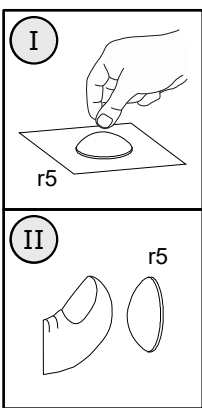
# 15



a1 x 2  Ø 35mm	p51 x 4  Ø 3,5x16mm	p25 x 2  Ø 4,2x25mm	c244 x 1  L=184mm
---	--	--	--

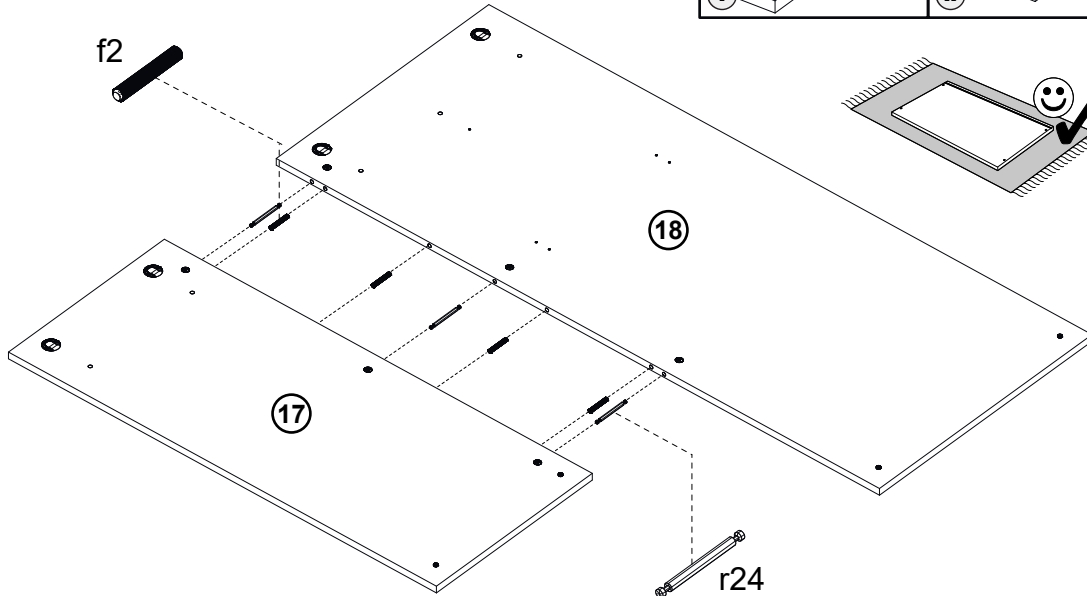
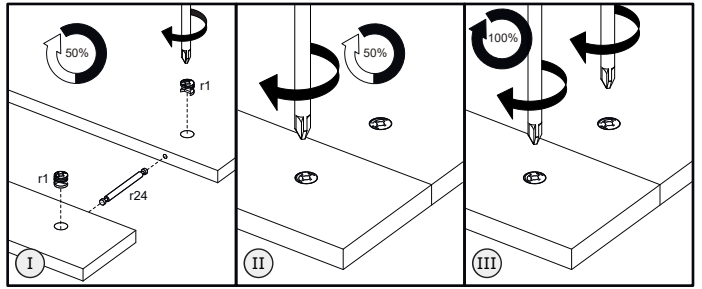


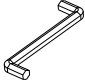
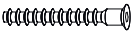
# 16

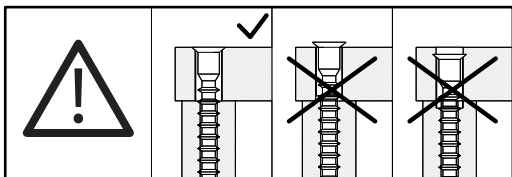
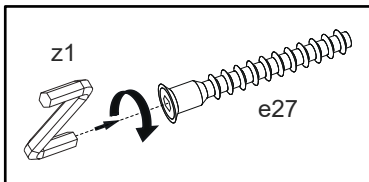
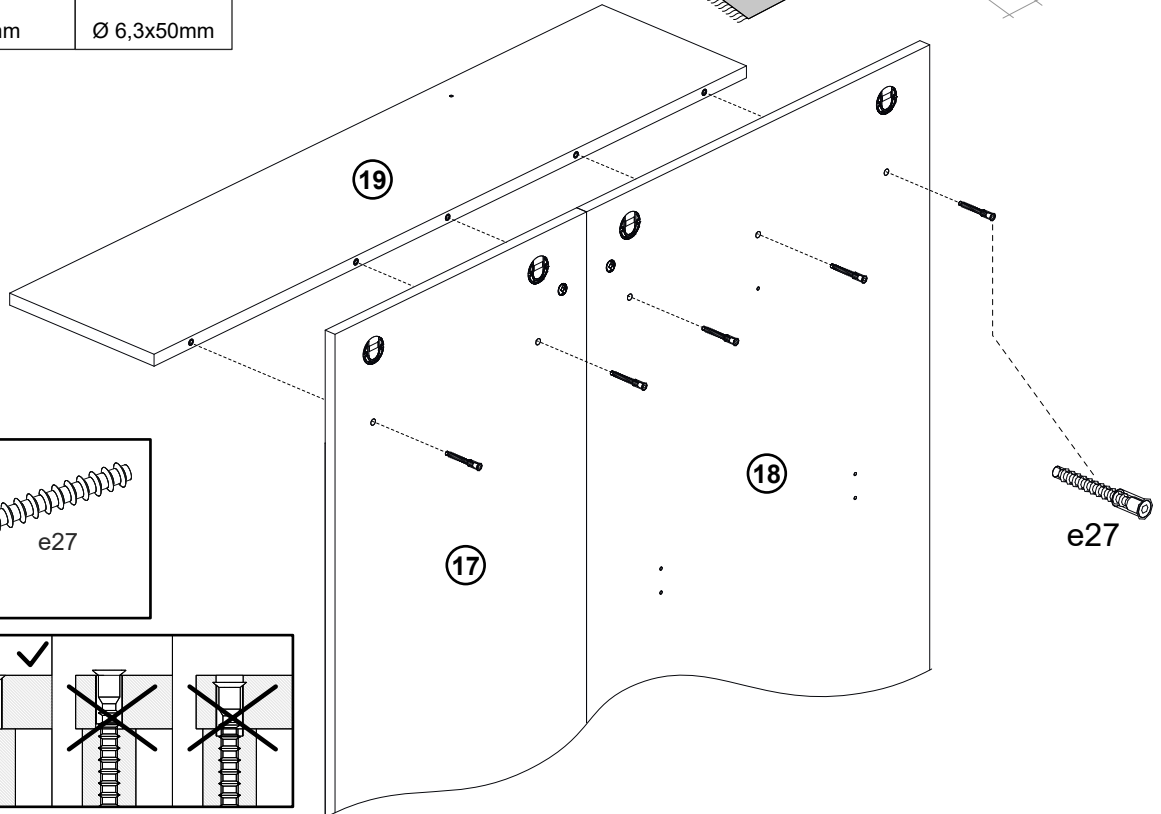
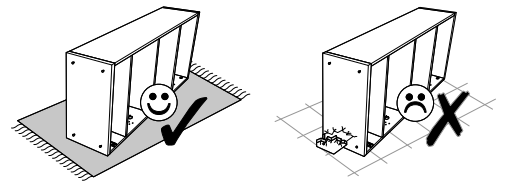
r5 x 2  Ø 6mm
--



<b>17</b>	f2 x 4	r24 x 3
		
	Ø 8x50mm	L=84mm



<b>18</b>	z1 x 1	e27 x 5
		
	4mm	Ø 6,3x50mm

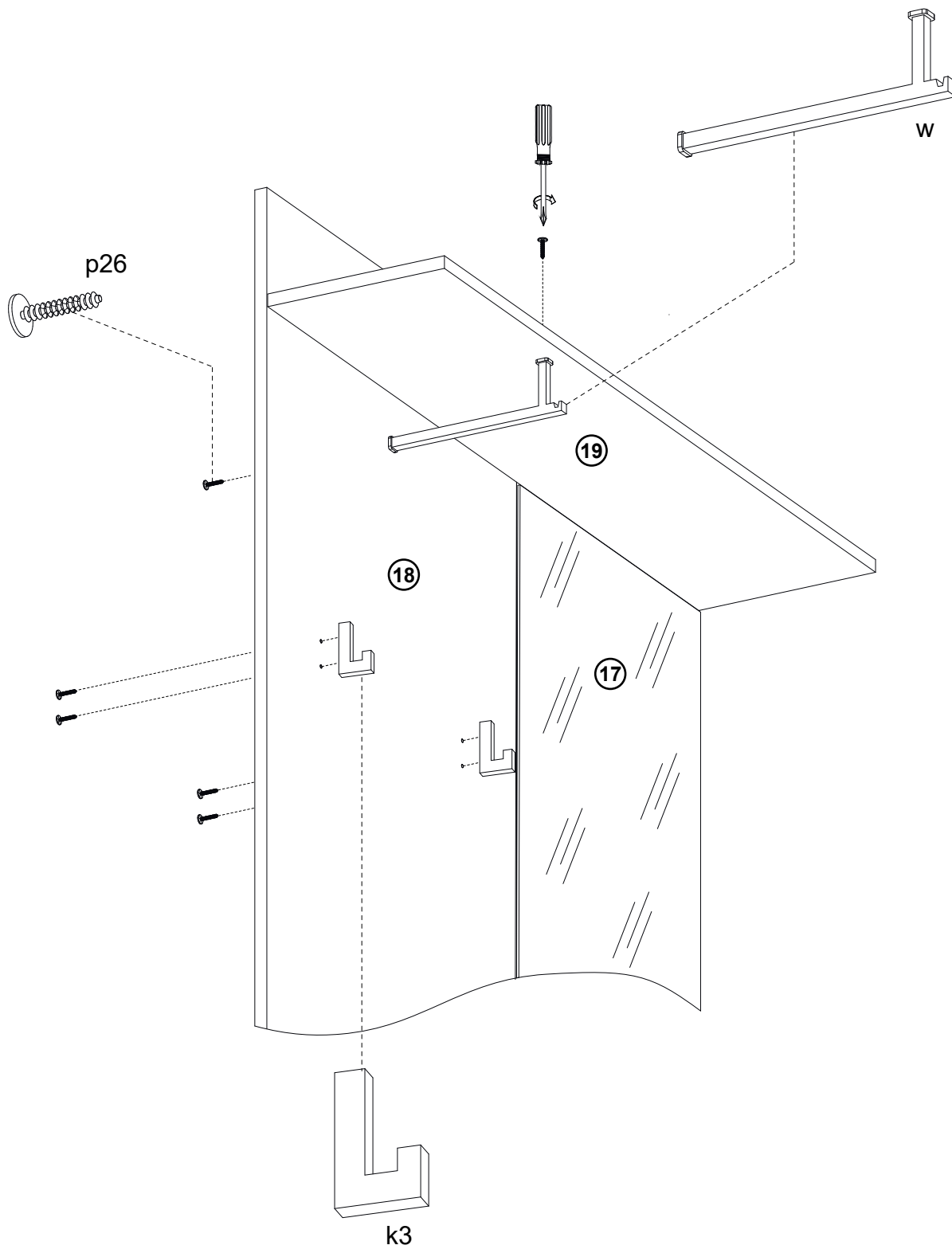


# 19

k3 x 2  
46x40x10mm

p26 x 6  
Ø 4x25mm

w x 1  
231x70mm



# 20

y2 x 2



Ø 10x50mm

j2 x 2



55mm

