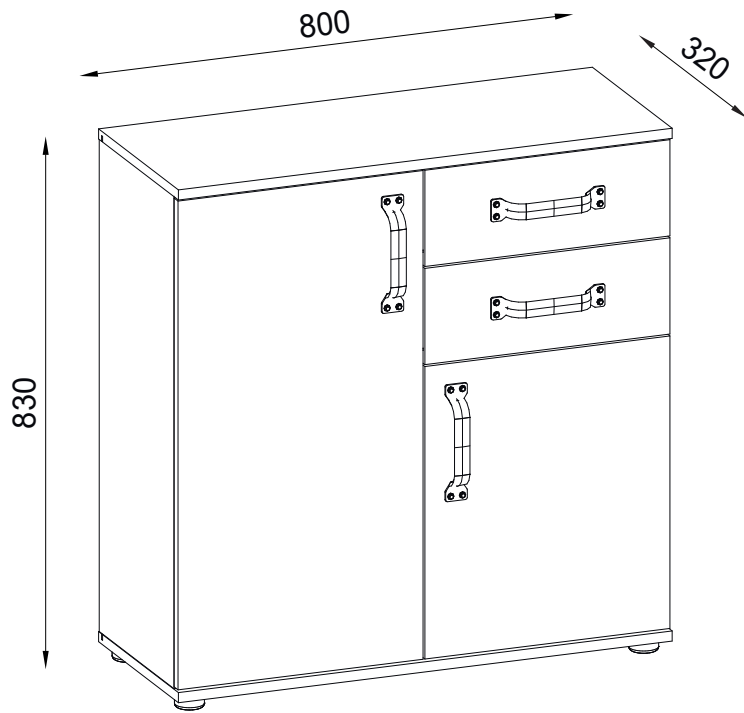
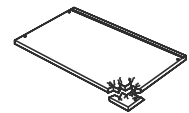
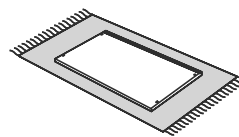
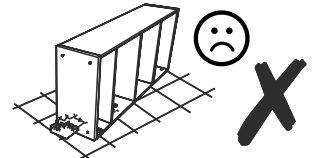
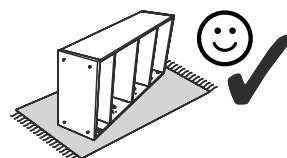
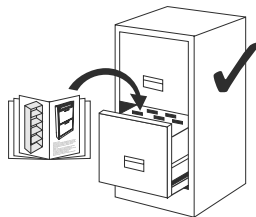
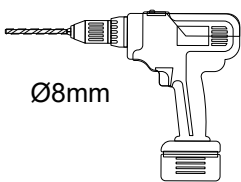
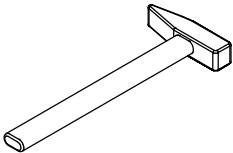
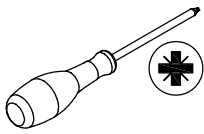
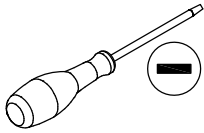
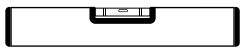
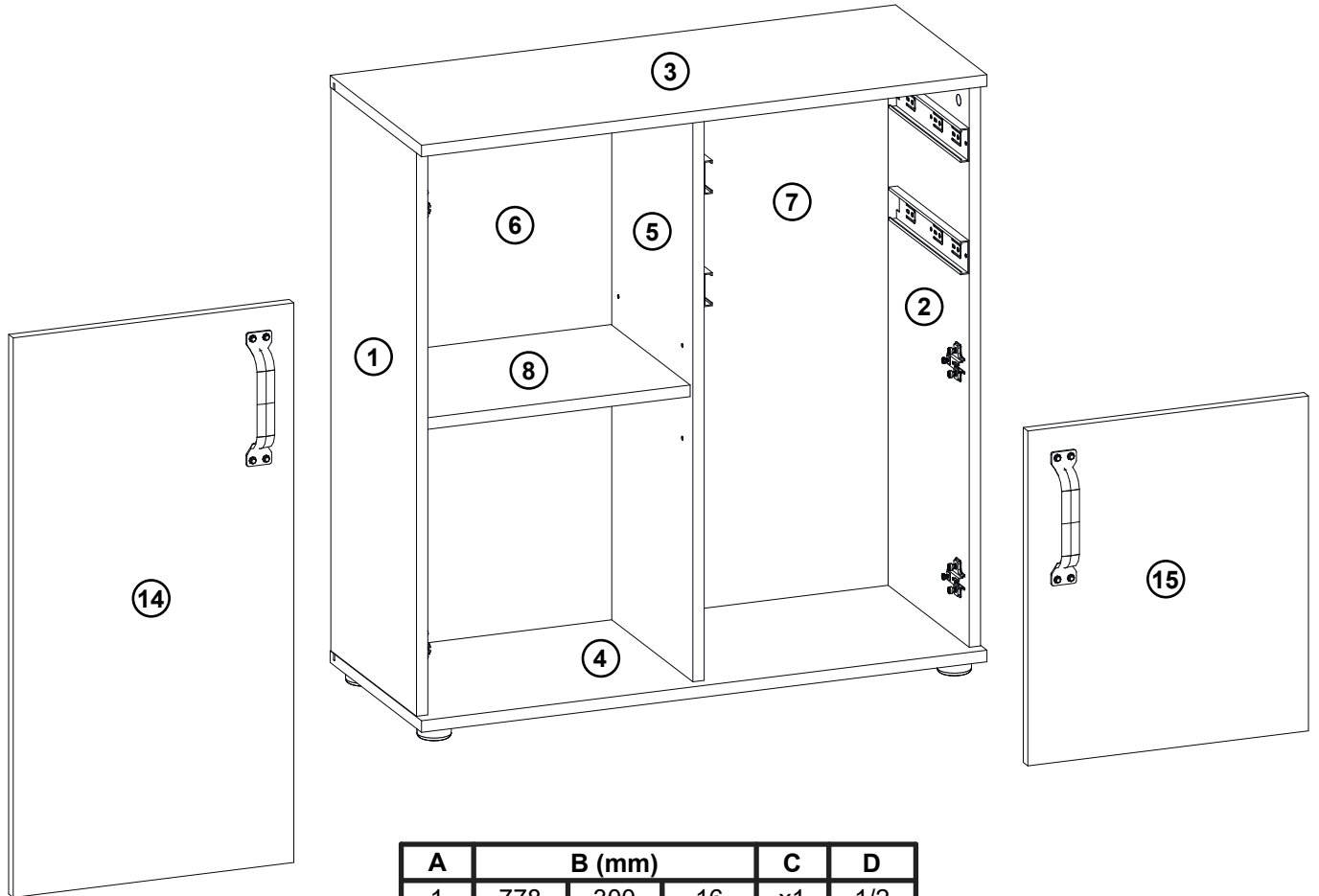
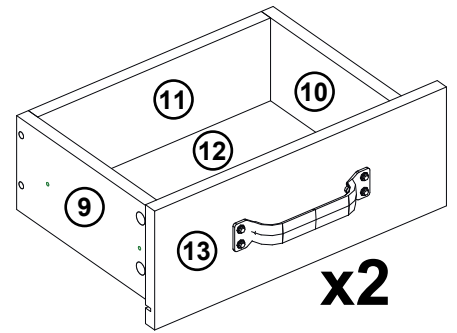
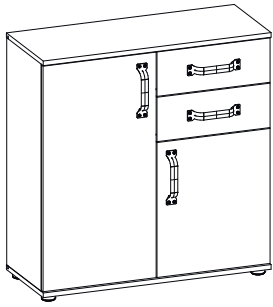


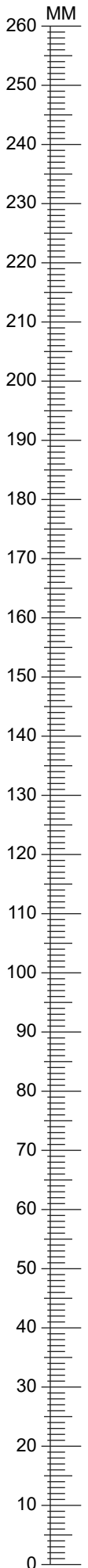
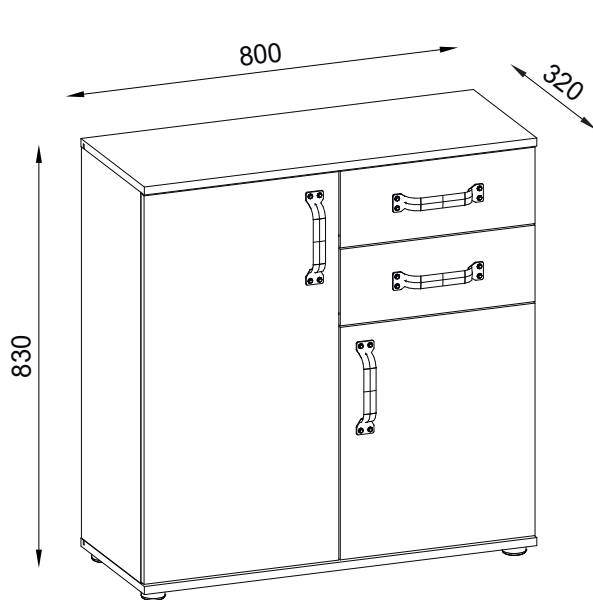


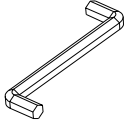

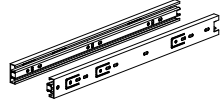
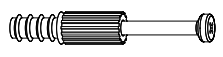







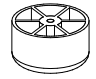


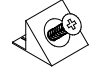
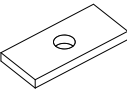


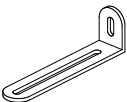
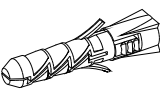

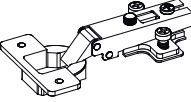
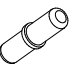

Modell **MO 2**





| A | B (mm) | | C | D |
|----|--------|-----|-----|--------|
| 1 | 778 | 300 | 16 | x1 1/2 |
| 2 | 778 | 300 | 16 | x1 1/2 |
| 3 | 800 | 320 | 16 | x1 1/2 |
| 4 | 800 | 320 | 16 | x1 1/2 |
| 5 | 778 | 284 | 16 | x1 2/2 |
| 6 | 794 | 389 | 2.5 | x1 1/2 |
| 7 | 794 | 389 | 2.5 | x1 1/2 |
| 8 | 374 | 277 | 16 | x1 2/2 |
| 9 | 250 | 120 | 16 | x2 2/2 |
| 10 | 250 | 120 | 16 | x2 2/2 |
| 11 | 317 | 106 | 16 | x1 1/2 |
| 11 | 317 | 106 | 16 | x1 2/2 |
| 12 | 333 | 258 | 2.5 | x2 1/2 |
| 13 | 397 | 152 | 16 | x2 2/2 |
| 14 | 397 | 772 | 16 | x1 1/2 |
| 15 | 397 | 462 | 16 | x1 2/2 |



| | | |
|---|---|--|
| <p>1x</p>  <p>4mm</p> <p>z1</p> | <p>14x</p>  <p>Ø 6,3x50mm</p> <p>e27</p> | <p>2x</p>  <p>L=250mm</p> <p>n2</p> |
| <p>14x</p>  <p>45mm</p> <p>r23</p> | <p>14x</p>  <p>Ø 15x12mm</p> <p>r1</p> | <p>12x</p>  <p>Ø 8x30mm</p> <p>f1</p> |
| <p>10x</p>  <p>Ø 20mm</p> <p>s1</p> | <p>8x</p>  <p>Ø 5x13mm</p> <p>e1</p> | <p>4x</p>  <p>Ø 4,2x16mm</p> <p>p21</p> |
| <p>13x</p>  <p>Ø 3x16mm</p> <p>p50</p> | <p>8x</p>  <p>Ø 3,5x16mm</p> <p>p51</p> | <p>5x</p>  <p>20x45x45mm</p> <p>k43</p> |
| <p>5x</p>  <p>Ø 4,2x25mm</p> <p>p25</p> | <p>8x</p>  <p>Ø 4x25mm</p> <p>p26</p> | <p>8x</p>  <p>10x10x15mm</p> <p>l2</p> |
| <p>3x</p>  <p>L=20x10x2 mm</p> <p>n108</p> | <p>4x</p>  <p>Ø 6mm</p> <p>r5</p> | <p>4x</p>  <p>L=184mm</p> <p>c241</p> |
| <p>1x</p>  <p>L=75x25x15mm</p> <p>n14/2</p> | <p>1x</p>  <p>Ø 8x50mm</p> <p>y1</p> | <p>1x</p>  <p>Ø 4,2x65mm</p> <p>p64</p> |
| <p>4x</p>  <p>Ø 35mm</p> <p>ab1</p> | <p>4x</p>  <p>Ø 5mm</p> <p>d1</p> | <p>2x</p>  <p>Ø 5mm</p> <p>d5</p> |

1

f1 x 4



Ø 8x30mm

r1 x 2



Ø 15x12mm

b1 x 2



40x50x12mm

r23 x 6



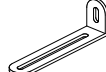
45mm

p50 x 2

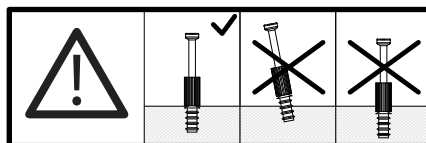
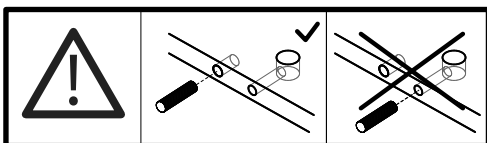
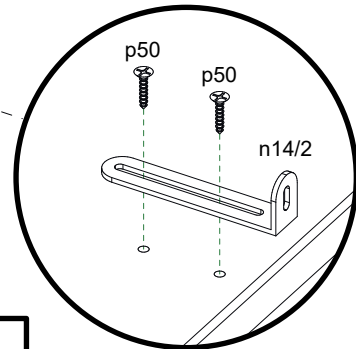
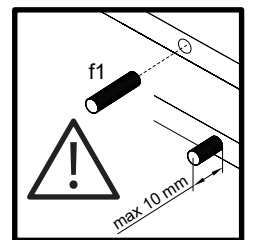
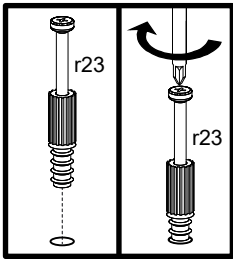
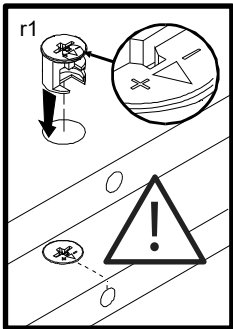
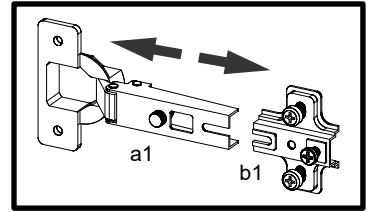
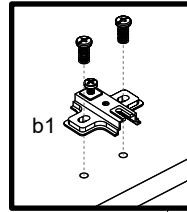
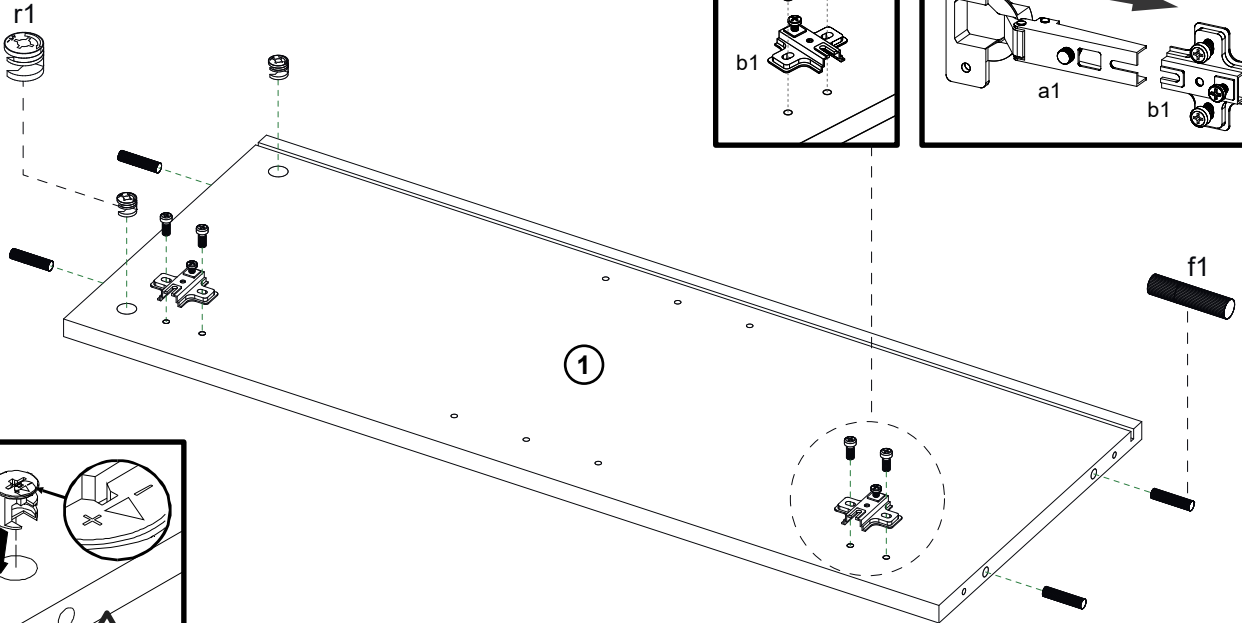


Ø 3x16mm

n14/2 x 1



L=75x25x15mm



2

f1 x 8



Ø 8x30mm

r1 x 4



Ø 15x12mm

b1 x 2



40x50x12mm

n2 x 2

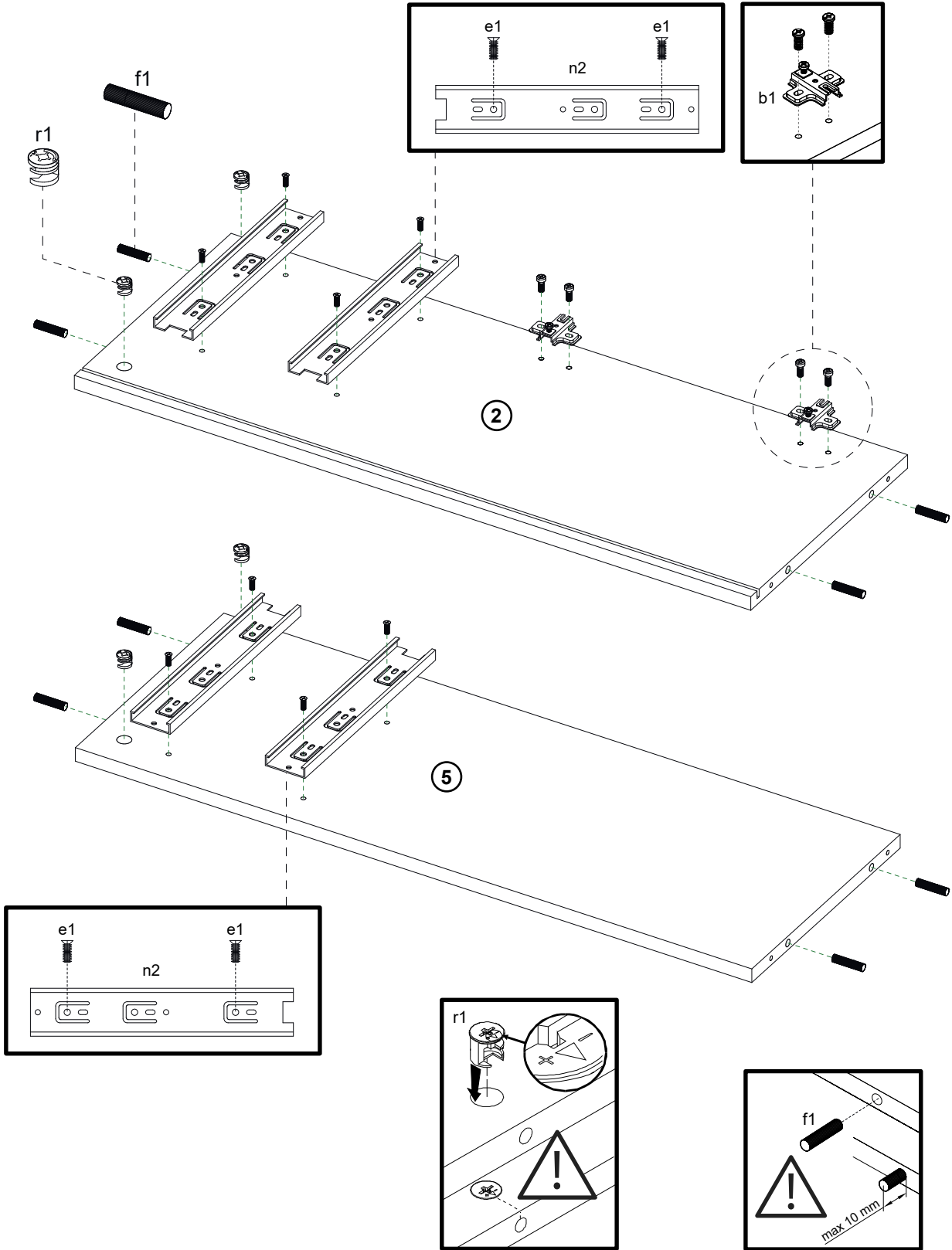


L=250mm

e1 x 8



Ø 5x13mm

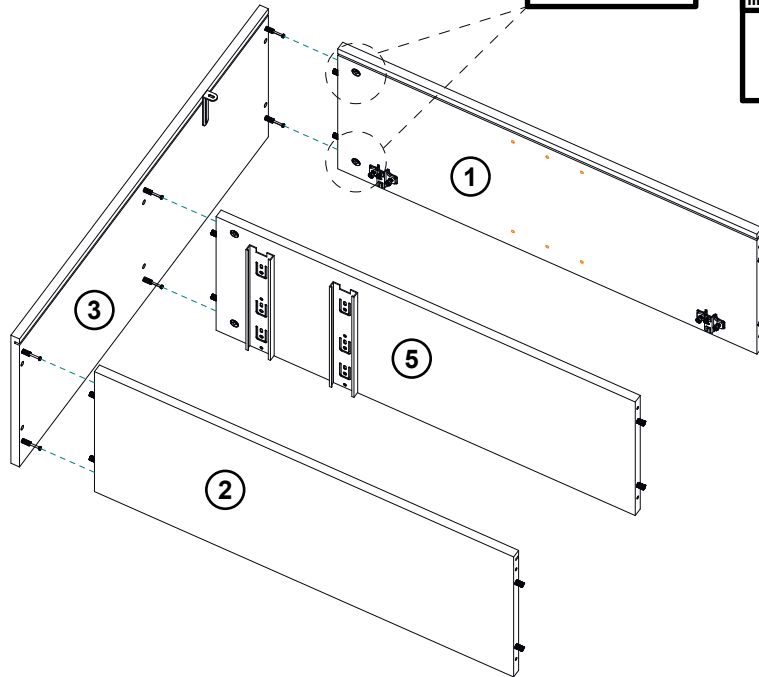
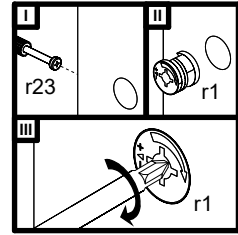
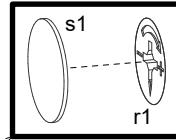


3

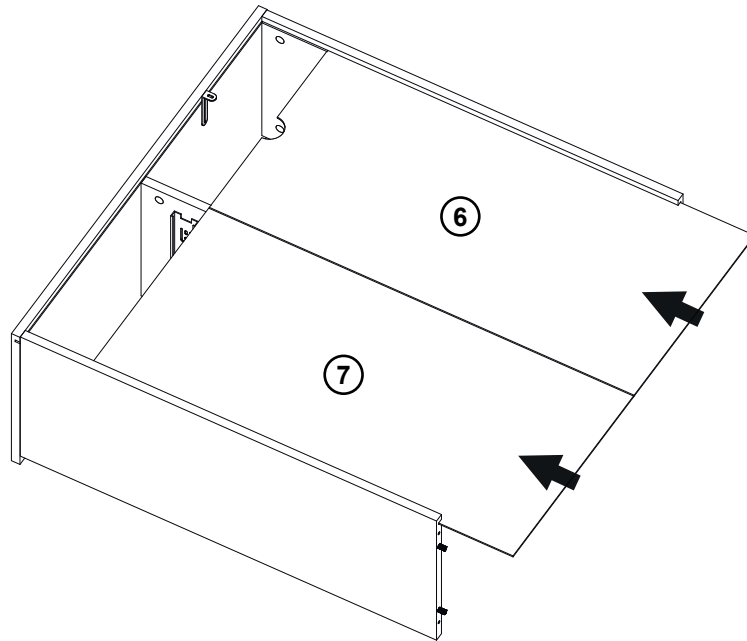
s1 x 2



Ø 20mm



4



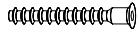
5

z1 x 1

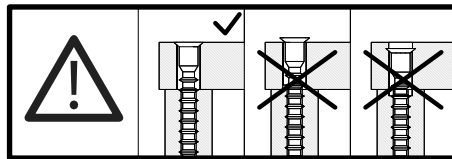
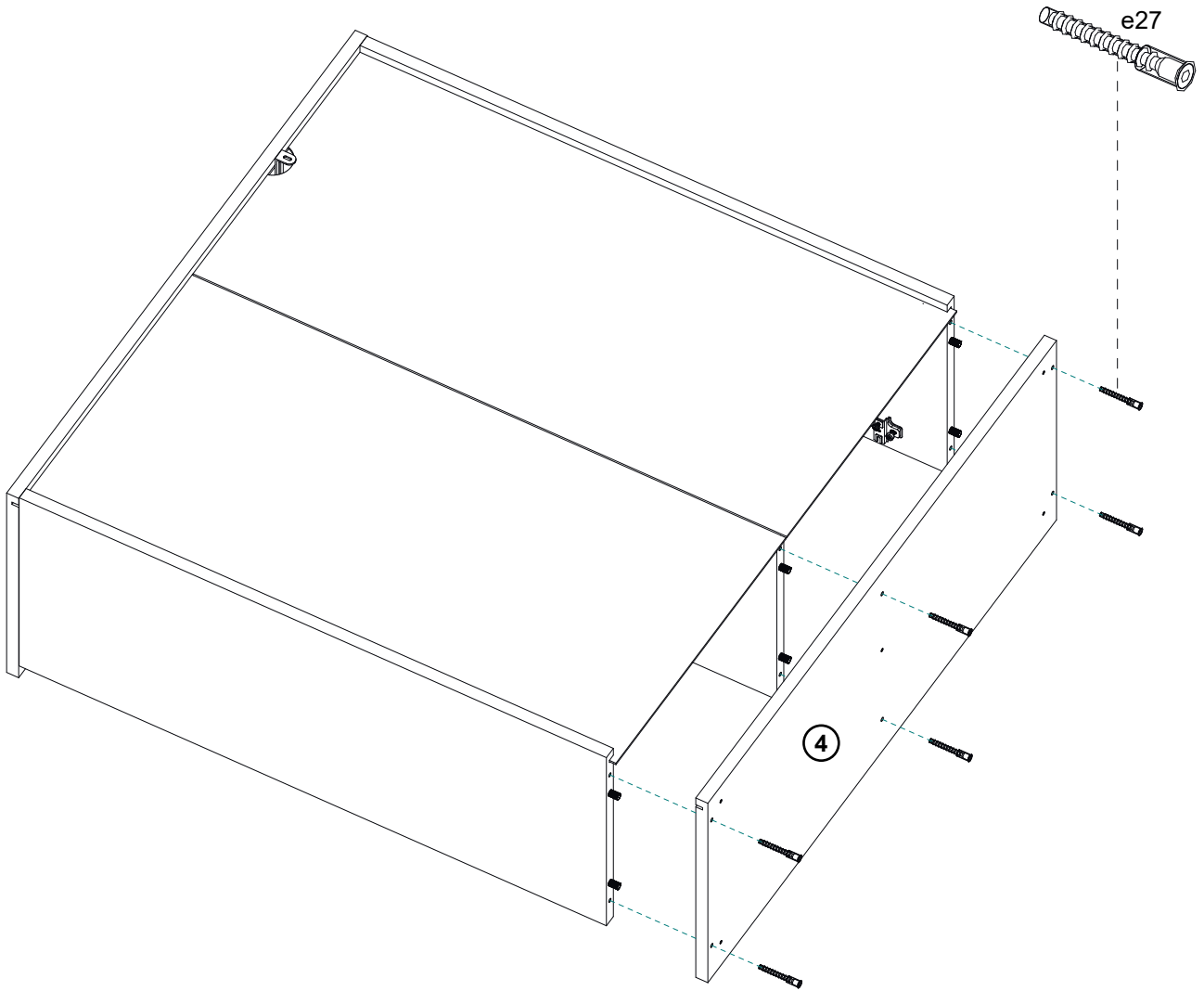
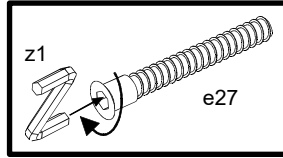


4mm

e27 x 6



Ø 6,3x50mm



6

k43 x 5



25x45x45mm

p25 x 5



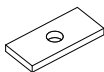
Ø 4,2x25mm

l2 x 8



10x10x15mm

n108 x 3

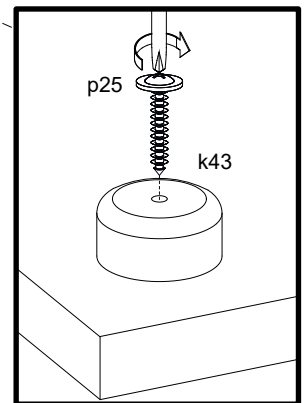
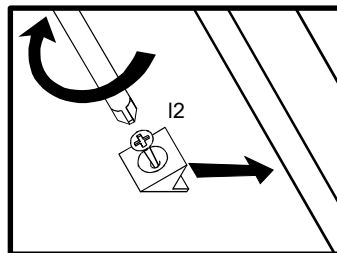
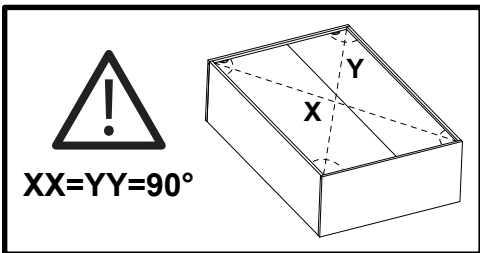
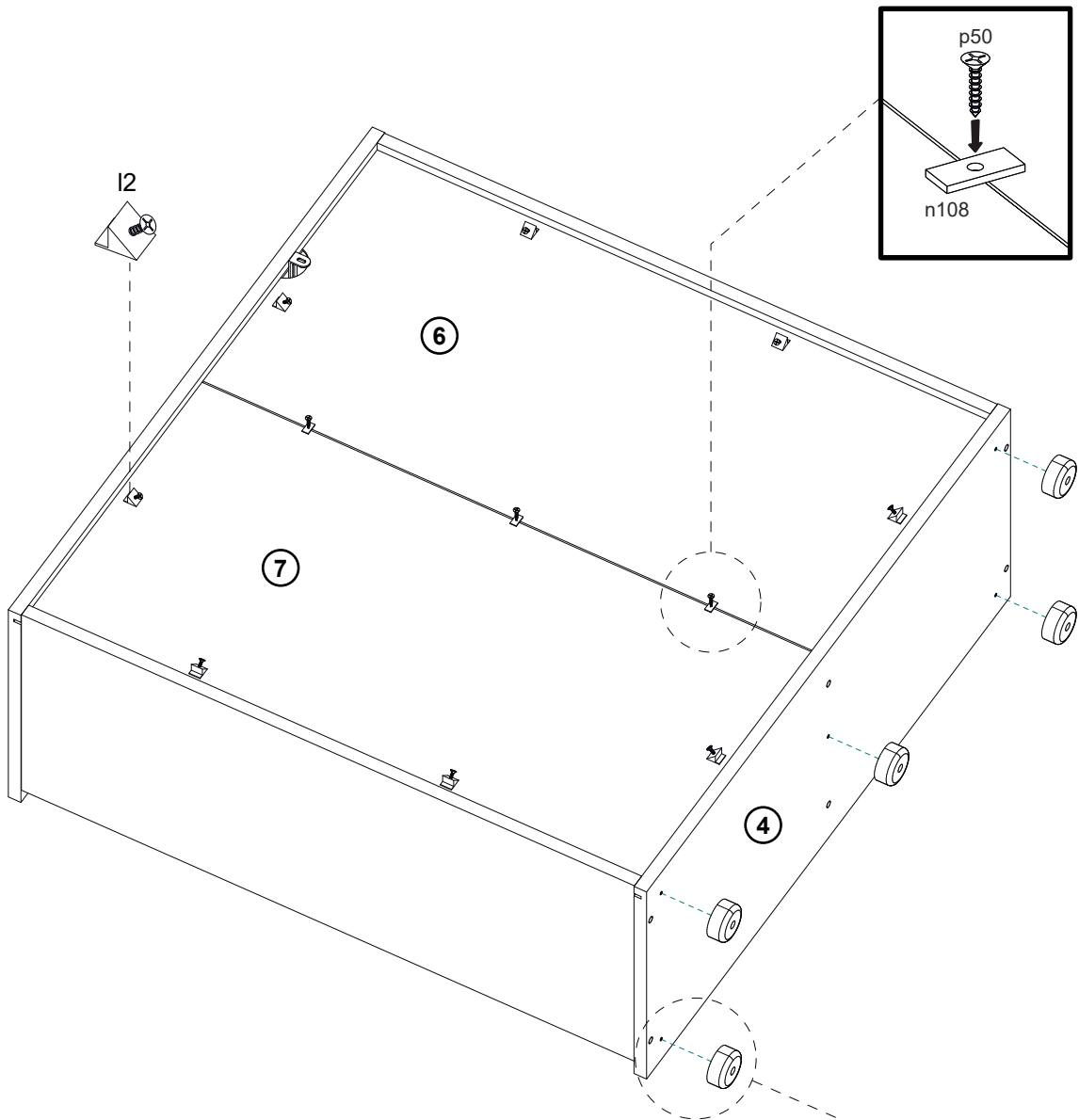


L=20x10x2mm

p50 x 3



Ø 3x16mm

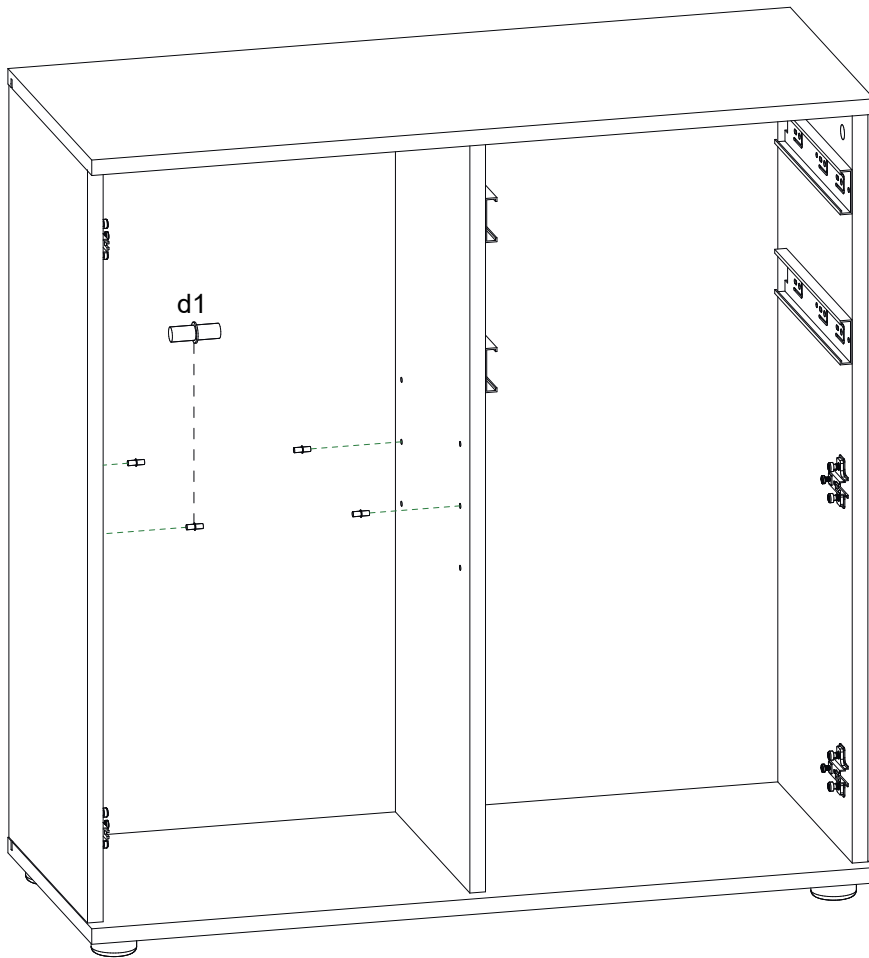
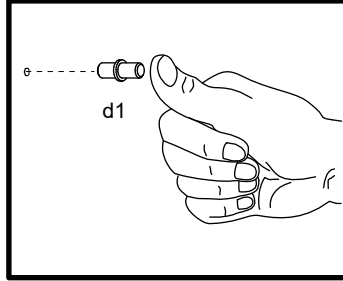


7

d1 x 4



Ø 5mm



8

y1 x 1

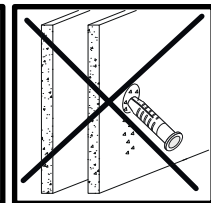
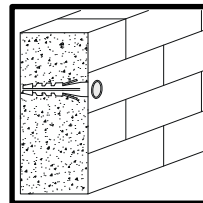
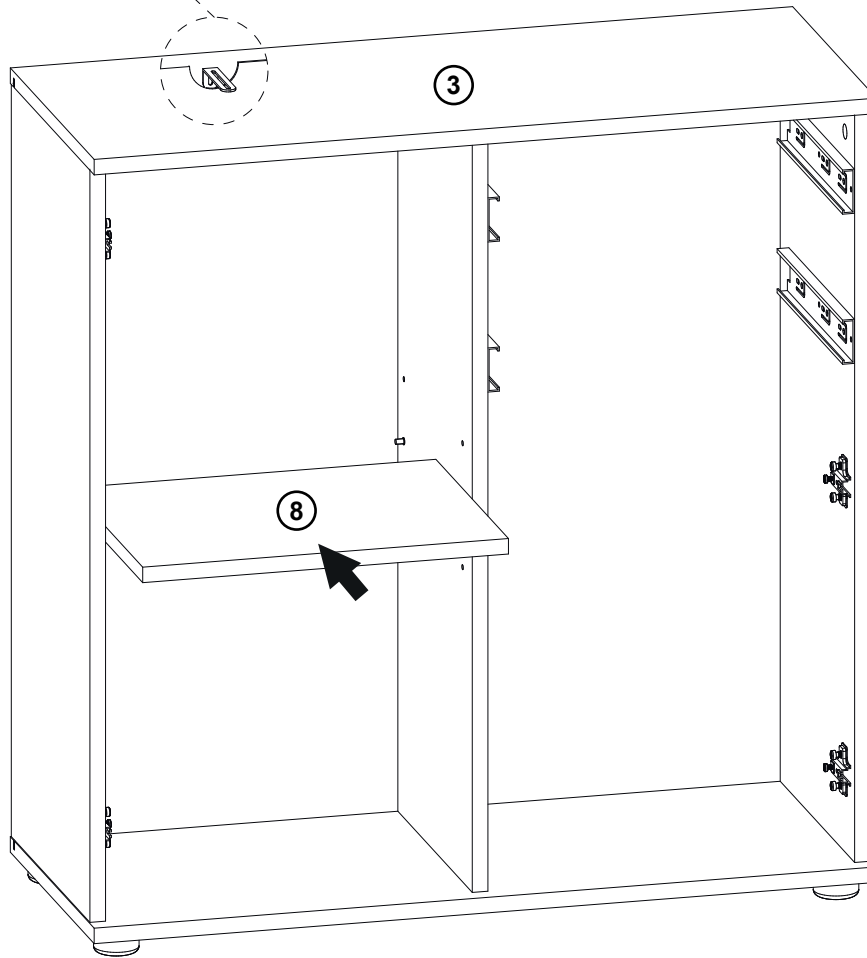
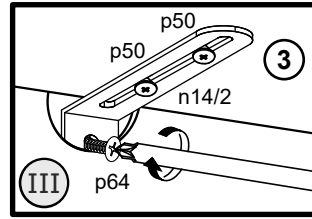
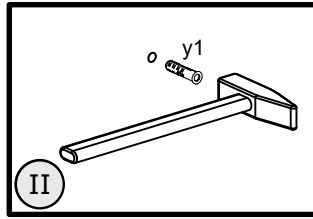
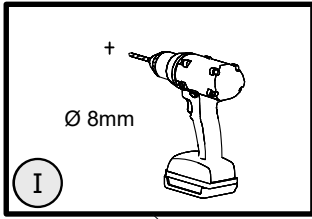


Ø 8x50mm

p64 x 1



Ø 4,2x65mm



9

z1 x 1



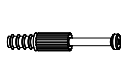
4mm

e27 x 8



Ø 6,3x50mm

r23 x 8



45mm

r1 x 8



Ø 15x12mm

s1 x 8



Ø 20mm

p26 x 4

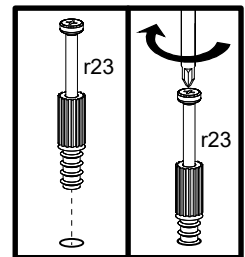
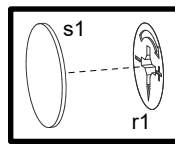
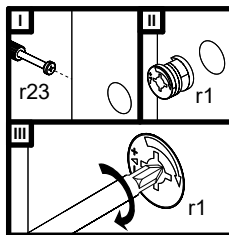
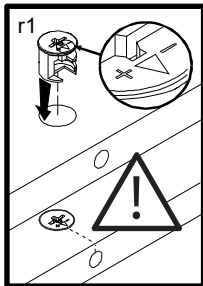
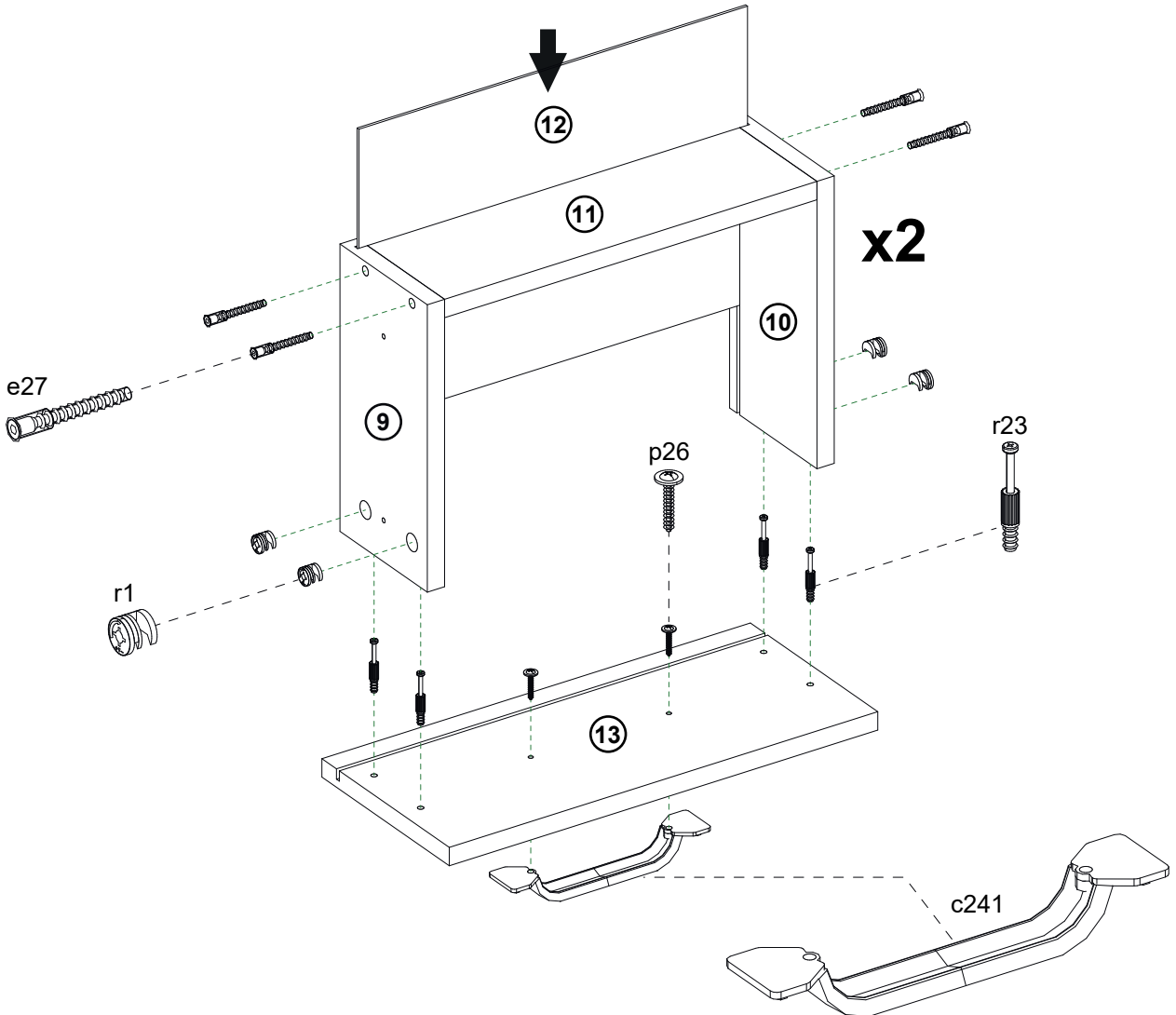
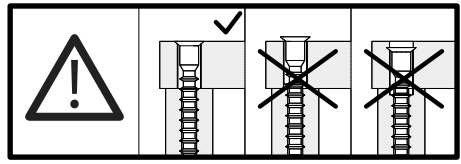
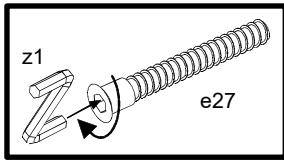


Ø 4x25mm

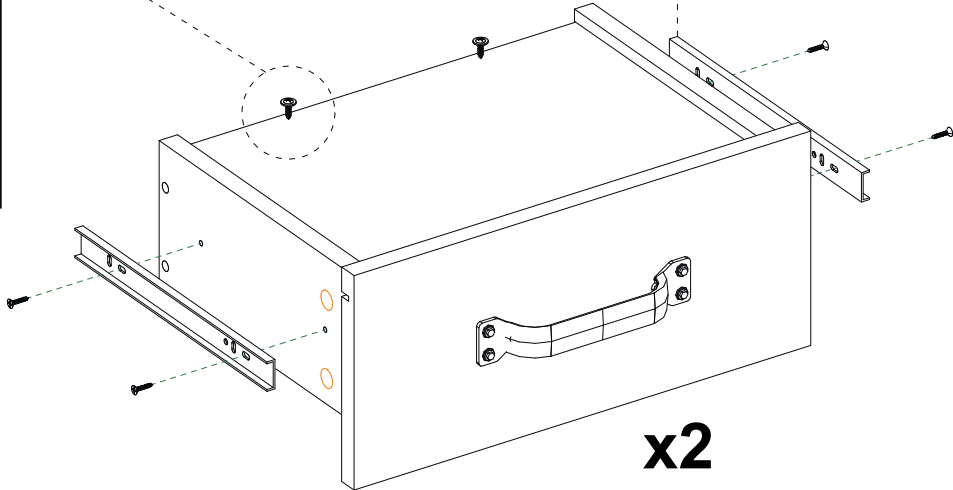
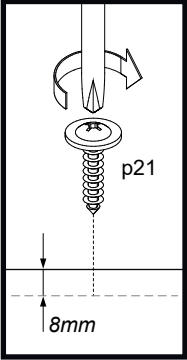
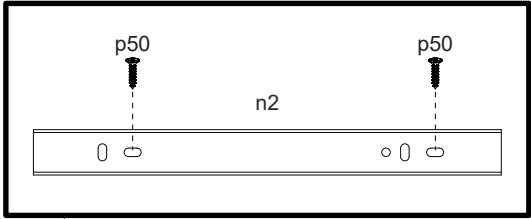
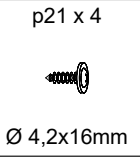
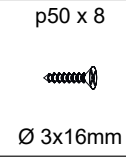
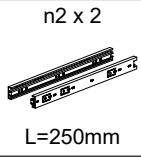
c241 x 2



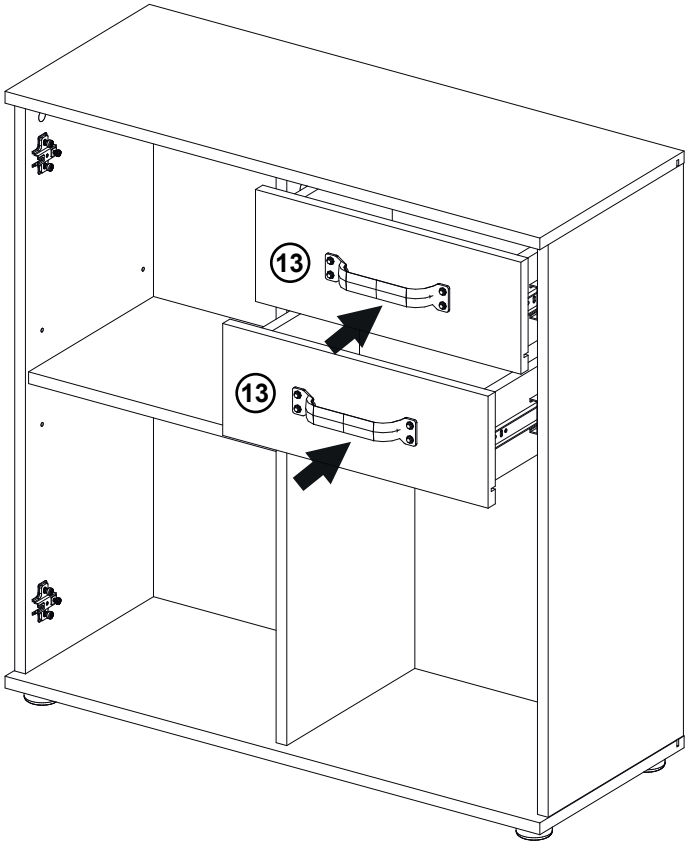
L=184mm



10



11



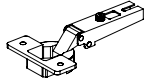
12

p51 x 8



Ø 3,5x16mm

a1 x 4



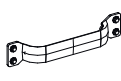
Ø 35mm

p26 x 4



Ø 4x25mm

c241 x 2



L=184mm

r5 x 4

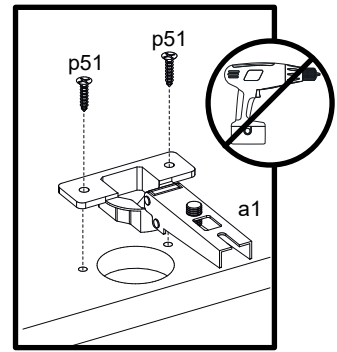
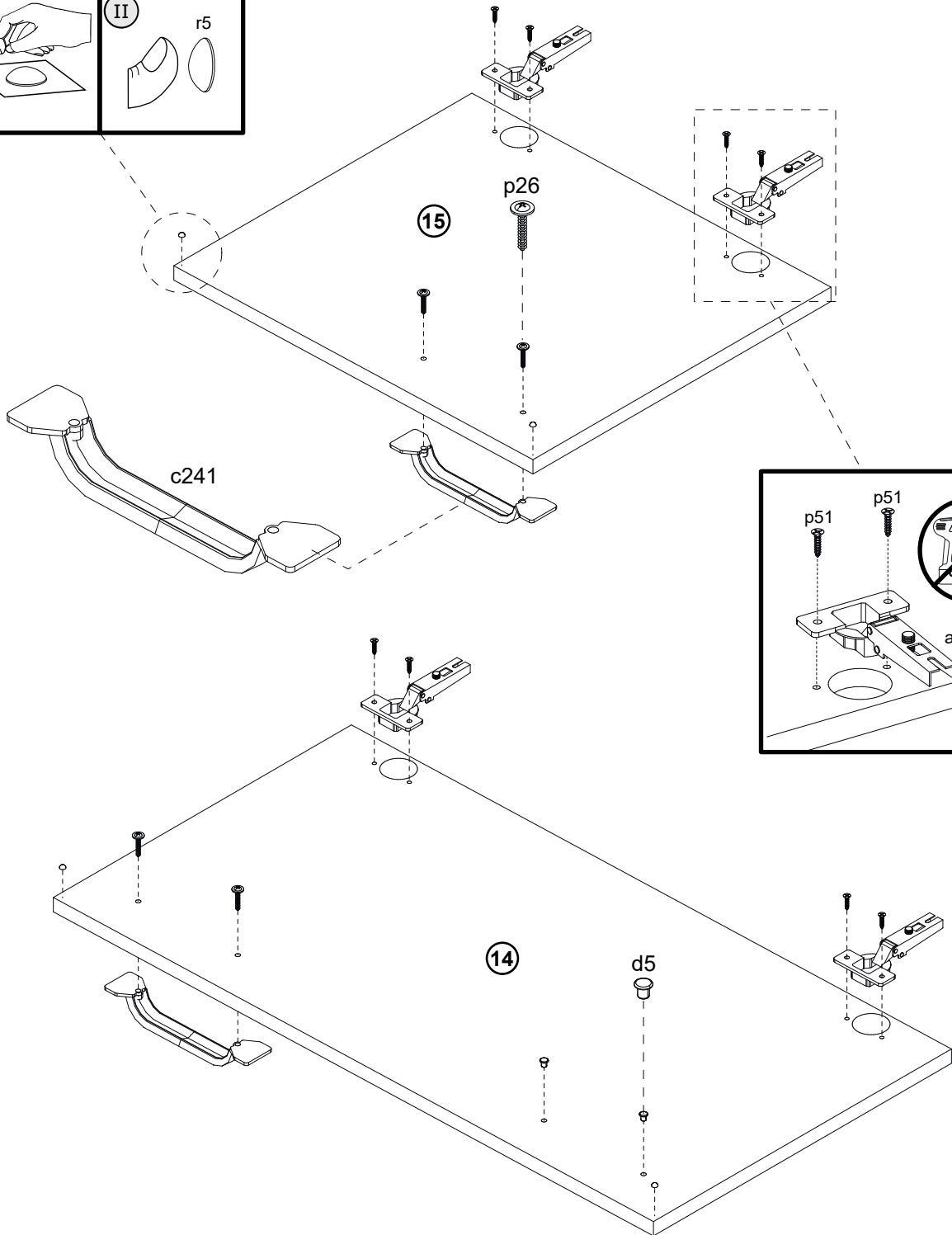
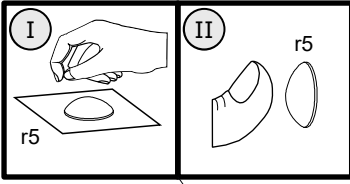


Ø 6mm

d5 x 2



Ø 5mm



13

