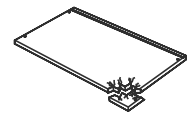
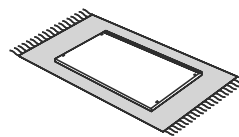
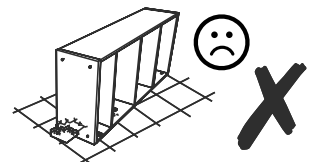
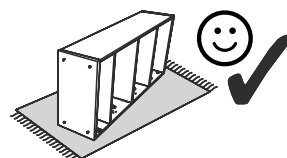
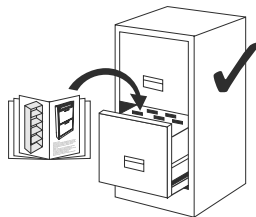
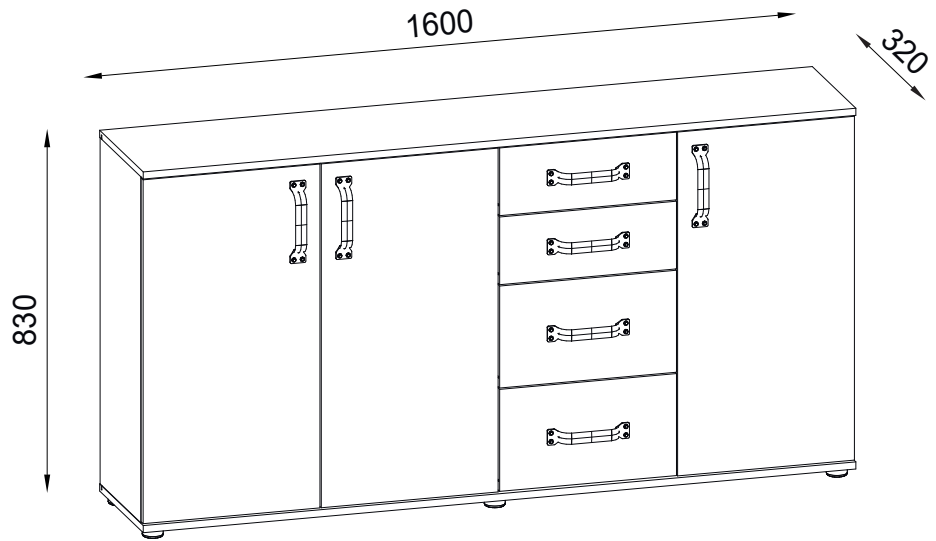
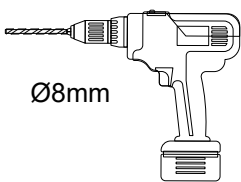
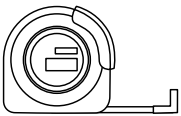
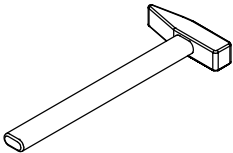
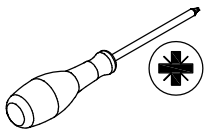
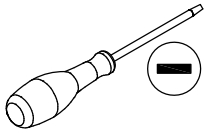
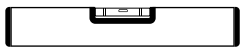
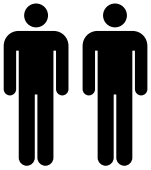
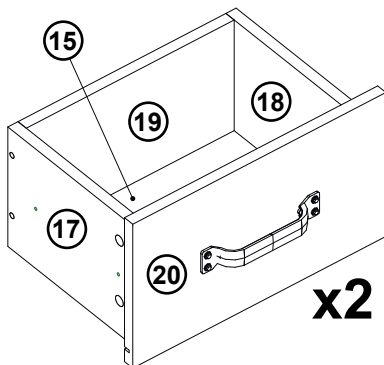
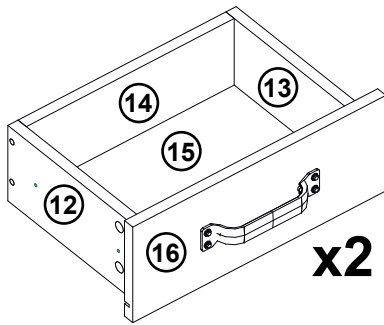
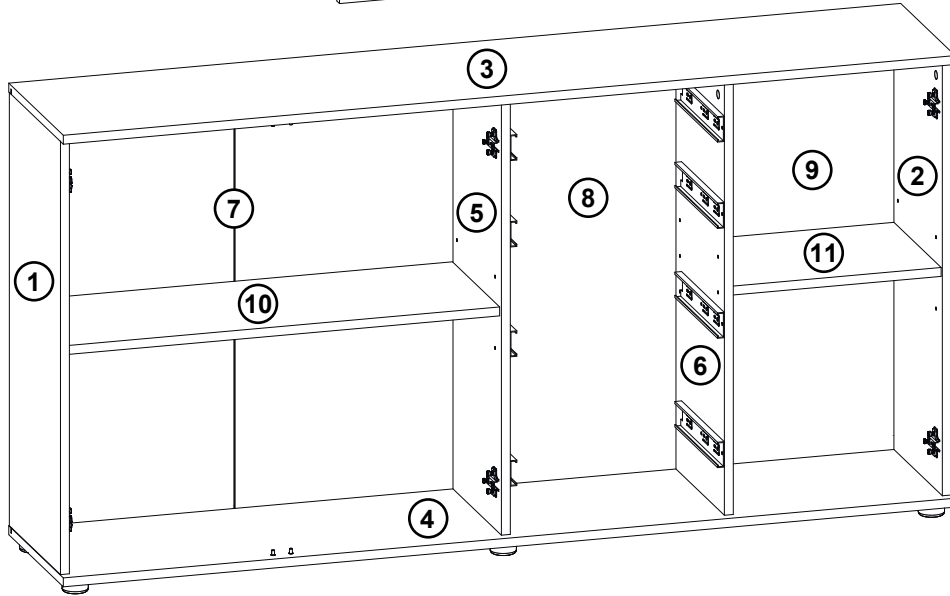
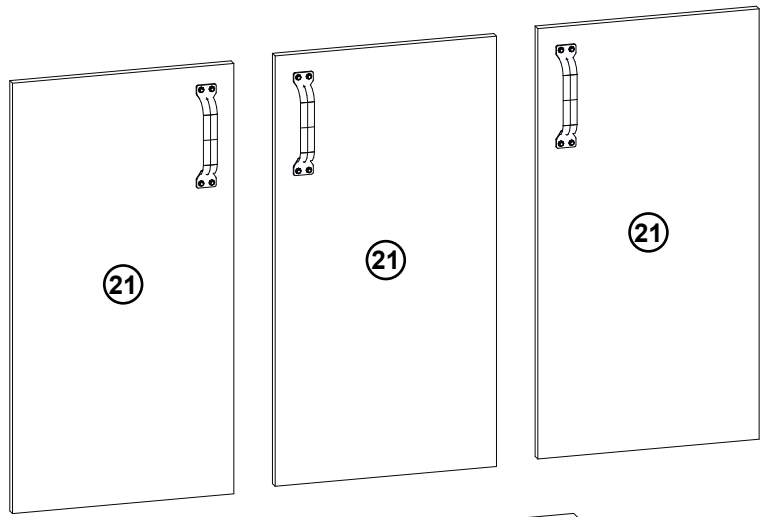
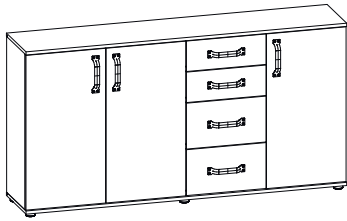


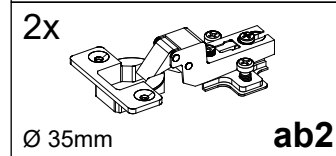
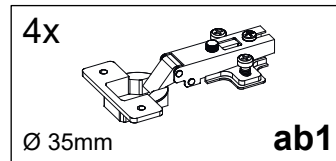
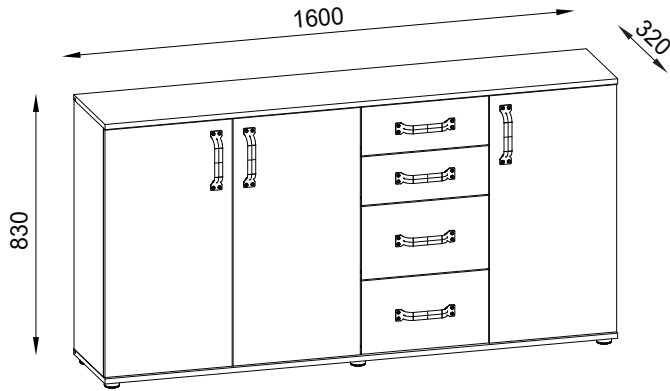


Modell **MO 5**

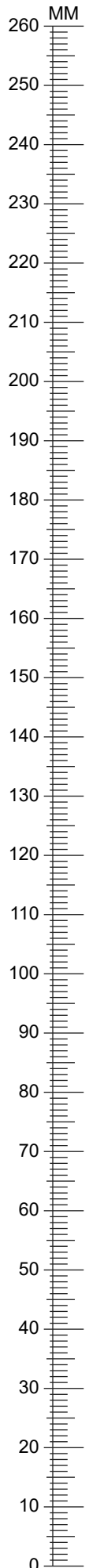




A	B (mm)		C	D
1	778	300	16	x1 2/2
2	778	300	16	x1 2/2
3	1600	320	16	x1 2/2
4	1600	320	16	x1 2/2
5	778	284	16	x1 2/2
6	778	284	16	x1 2/2
7	794	787	2,5	x1 1/2
8	794	398	2,5	x1 1/2
9	794	389	2,5	x1 1/2
10	774	277	16	x1 1/2
11	374	277	16	x1 2/2
12	250	120	16	x2 1/2
13	250	120	16	x2 1/2
14	326	106	16	x2 1/2
15	342	258	2,5	x4 2/2
16	397	152	16	x2 2/2
17	250	190	16	x2 1/2
18	250	190	16	x2 1/2
19	326	176	16	x2 1/2
20	397	229	16	x2 2/2
21	397	772	16	x3 1/2



1x 4mm z1	24x Ø 6,3x50mm e27	4x L=250mm n2
24x 45mm r23	24x Ø 15x12mm r1	16x Ø 8x30mm f1
20x Ø 20mm s1	16x Ø 5x13mm e1	8x Ø 4,2x16mm p21
26x Ø 3x16mm p50	12x Ø 3,5x16mm p51	8x 20x45x45mm k43
8x Ø 4,2x25mm p25	14x Ø 4x25mm p26	12x 10x10x15mm l2
6x L=20x10x2 mm n108	2x Ø 6mm r5	7x L=184mm c241
2x L=75x25x15mm n14/2	2x Ø 8x50mm y1	2x Ø 4,2x65mm p64
8x Ø 5mm d1	4x Ø 5mm d2	6x Ø 5mm d5



1

f1 x 8



Ø 8x30mm

r1 x 4

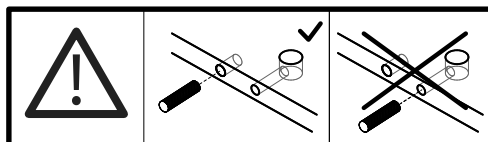
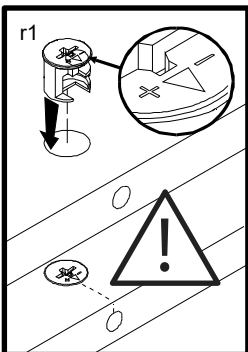
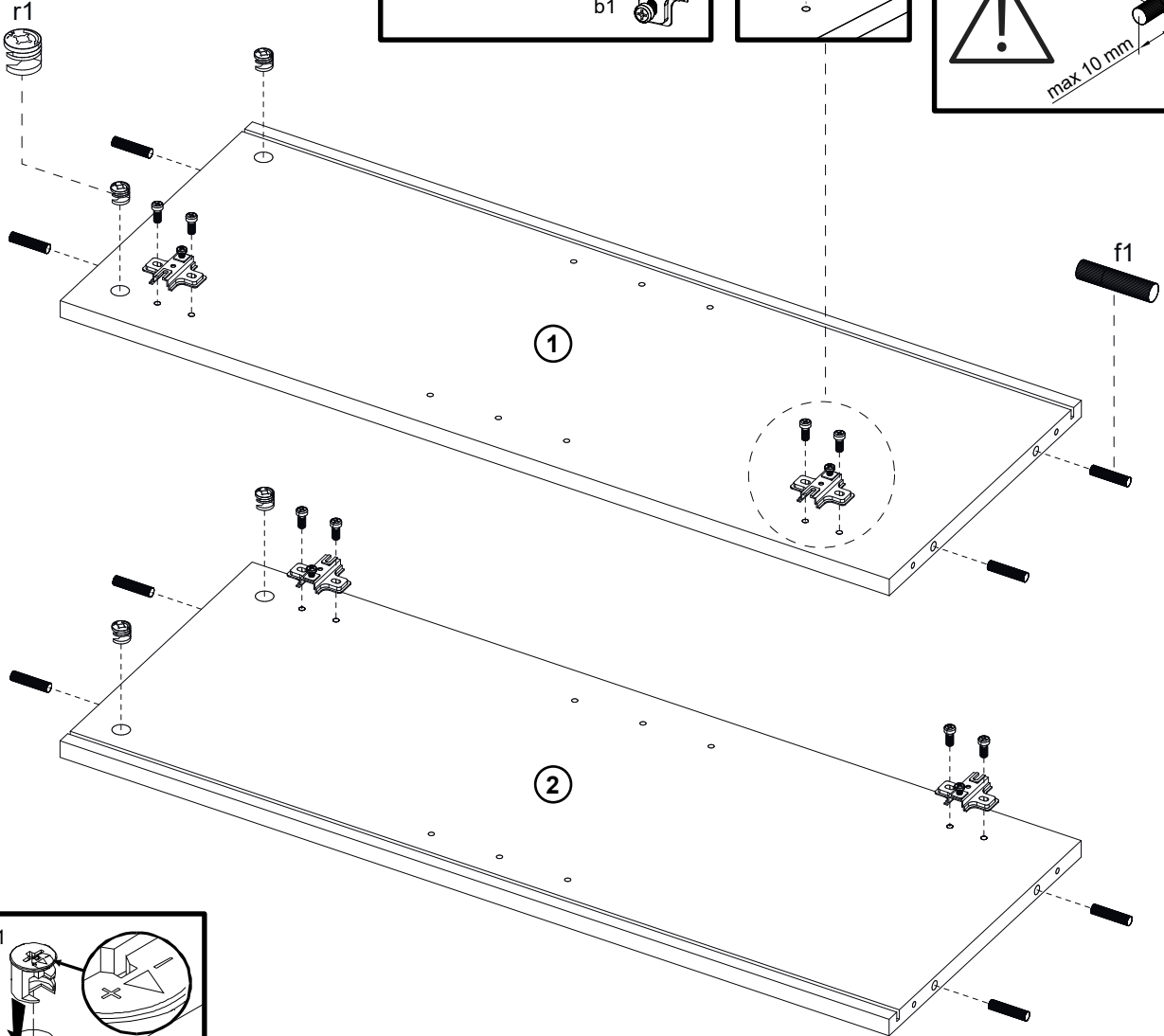
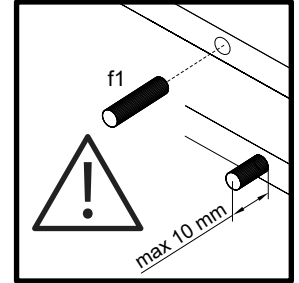
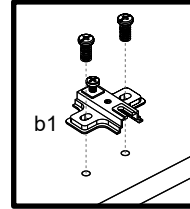
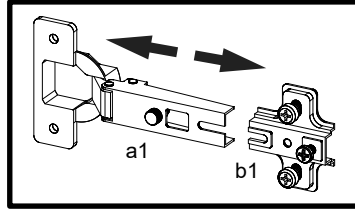


Ø 15x12mm

b1 x 4



40x50x12mm



2

f1 x 4



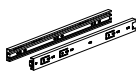
Ø 8x30mm

r1 x 2



Ø 15x12mm

n2 x 4



L=250mm

e1 x 8

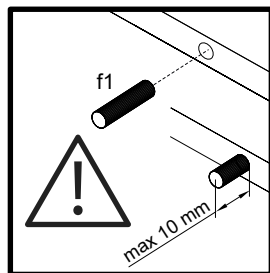
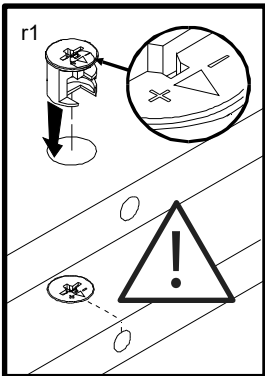
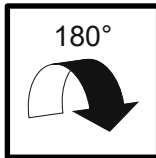
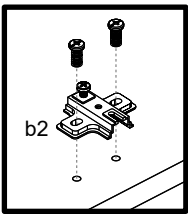
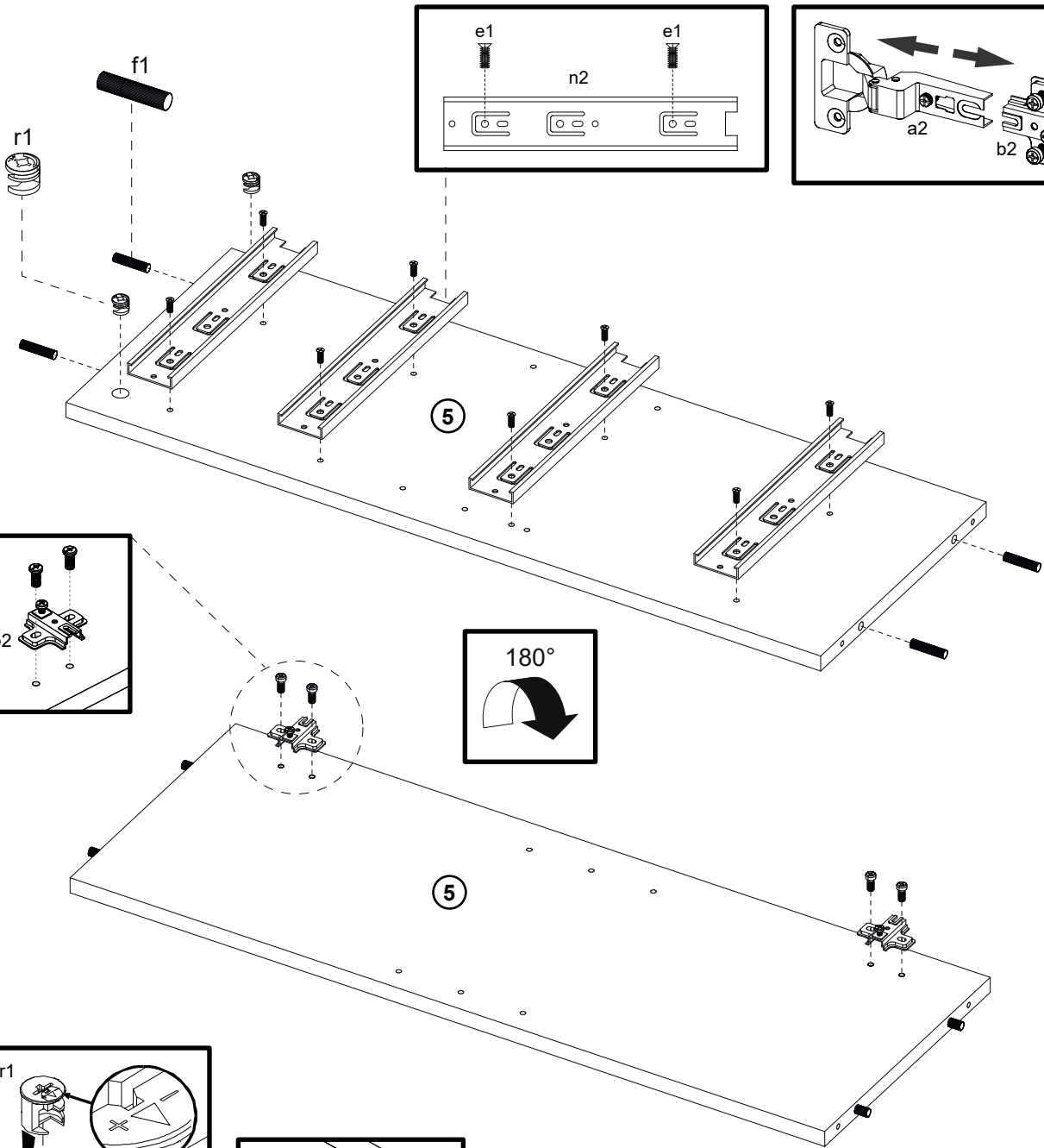


Ø 5x13mm

b2 x 2



40x50x12mm



3

r23 x 8



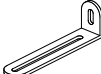
45mm

p50 x 4



Ø 3x16mm

n14/2 x 2



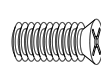
L=75x25x15mm

n2 x 4



L=250mm

e1 x 8



Ø 5x13mm

f1 x 4

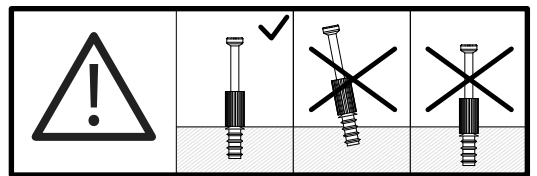
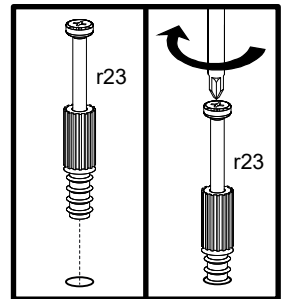
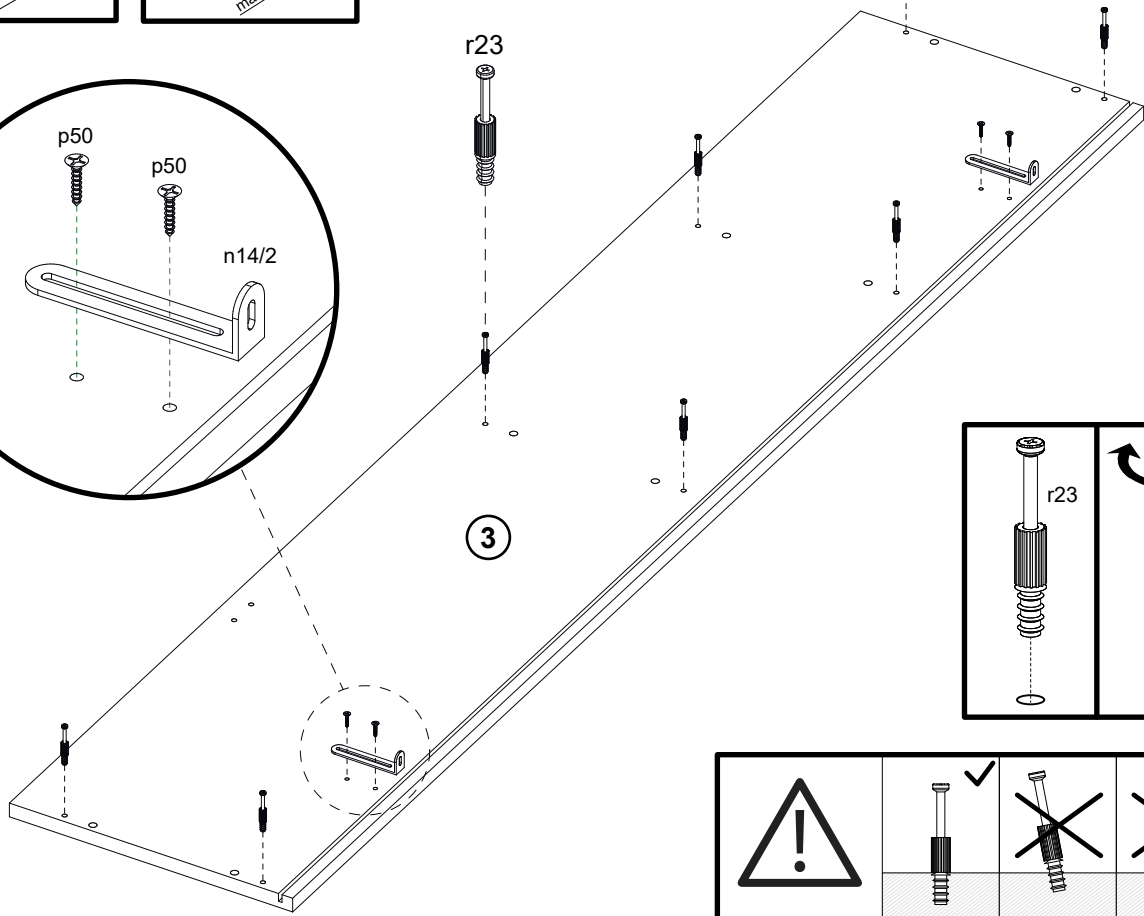
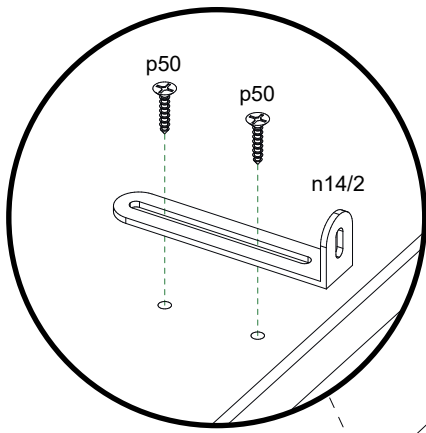
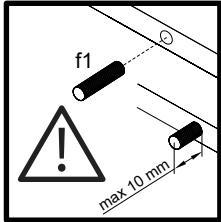
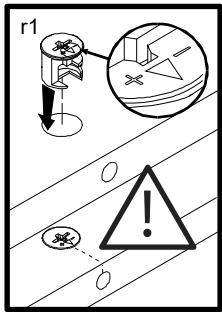
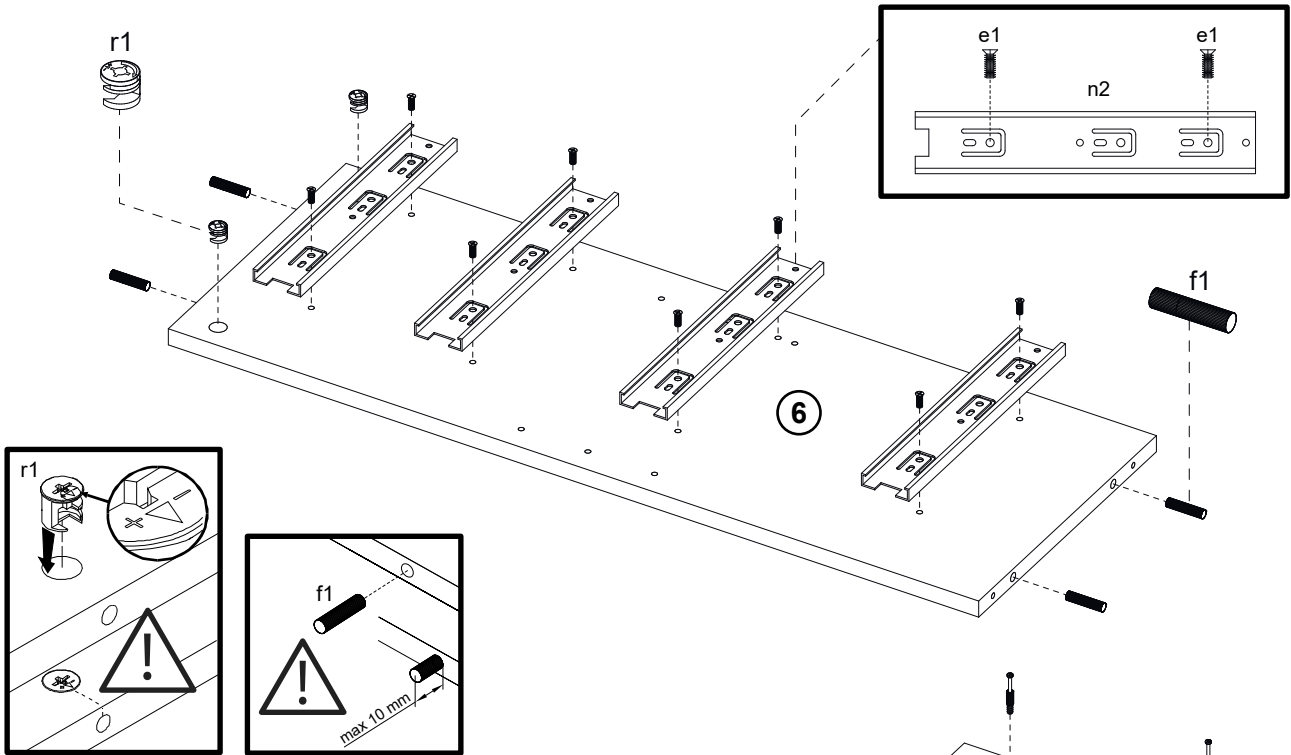


Ø 8x30mm

r1 x 2



Ø 15x12mm



4

s1 x 4

Ø 20mm

I

II

III

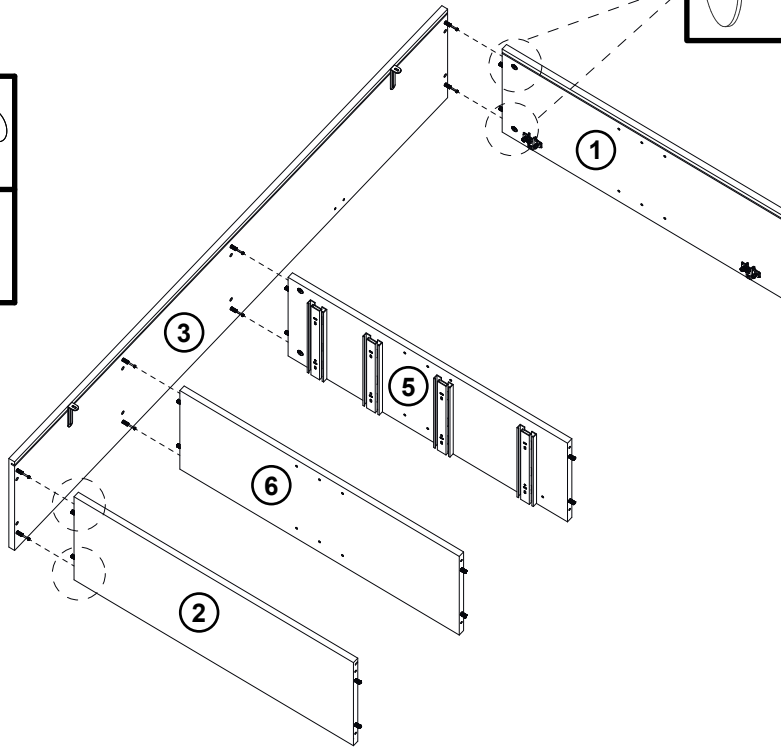
r23

r1

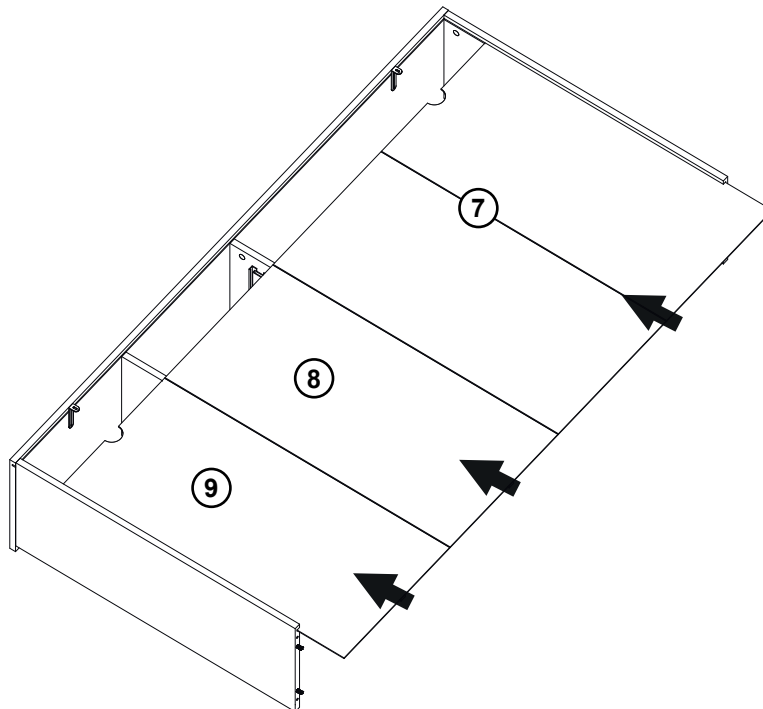
r1

s1

r1



5



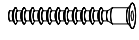
6

z1 x 1

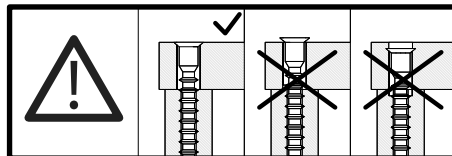
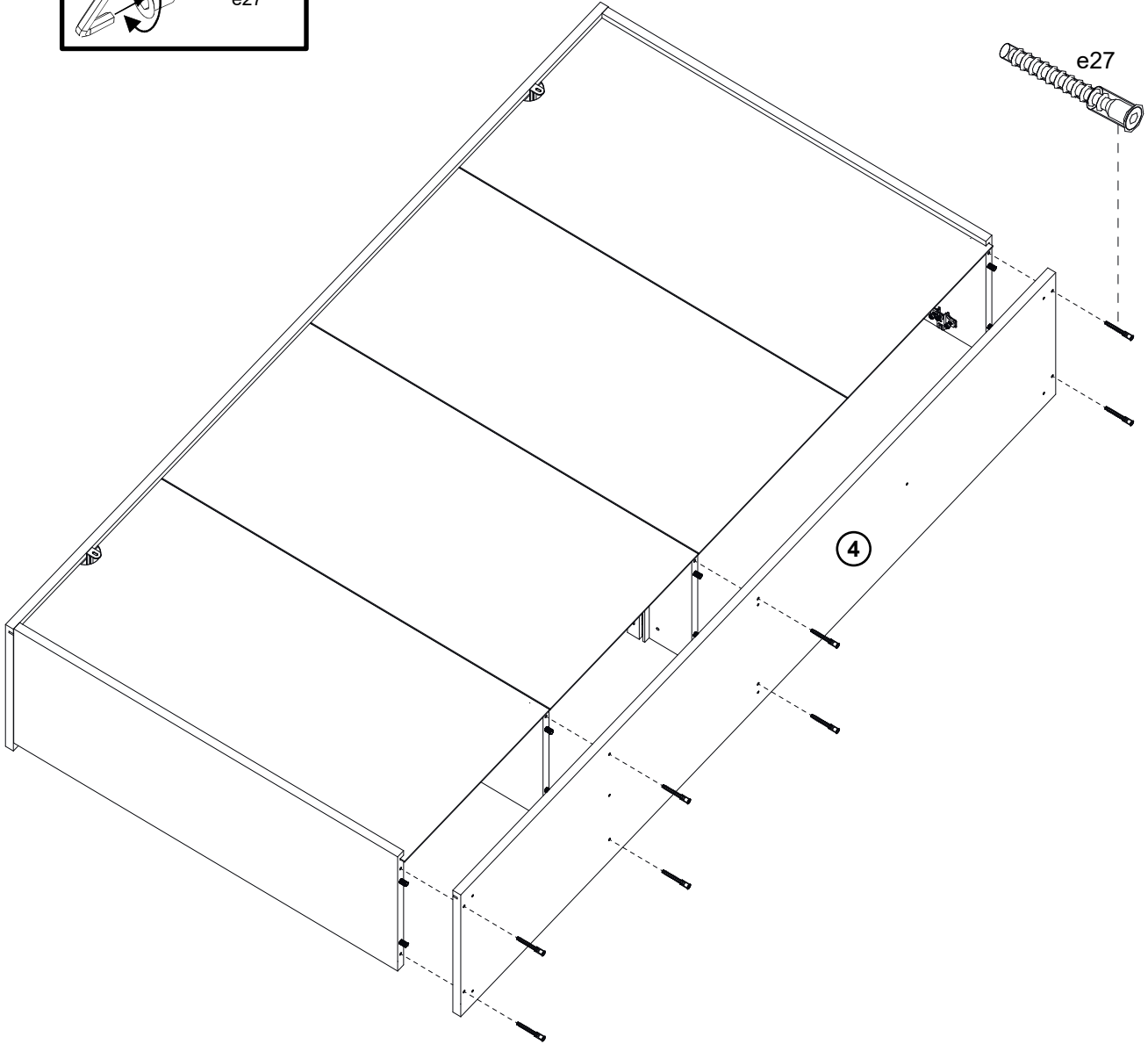
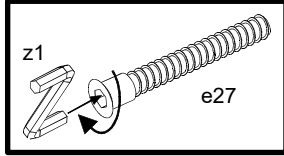


4mm

e27 x 8



Ø 6,3x50mm



7

k43 x 8



25x45x45mm

p25 x 8



Ø 4,2x25mm

l2 x 12



10x10x15mm

n108 x 6

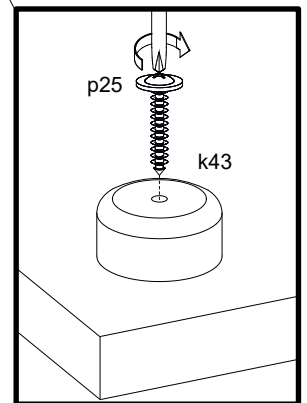
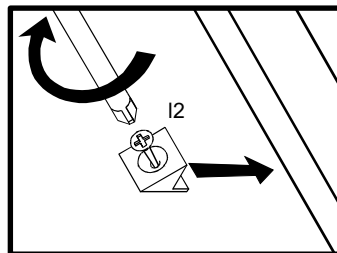
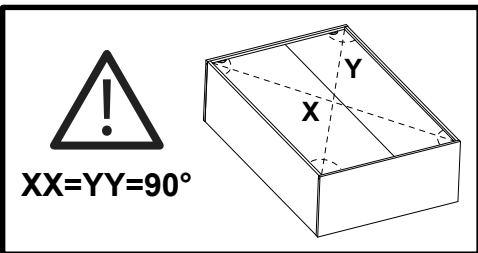
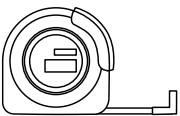
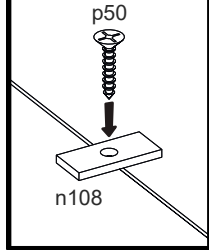
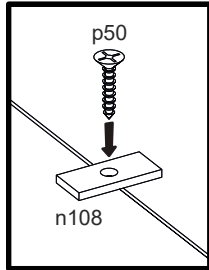


L=20x10x2mm

p50 x 6



Ø 3x16mm



8

d1 x 8

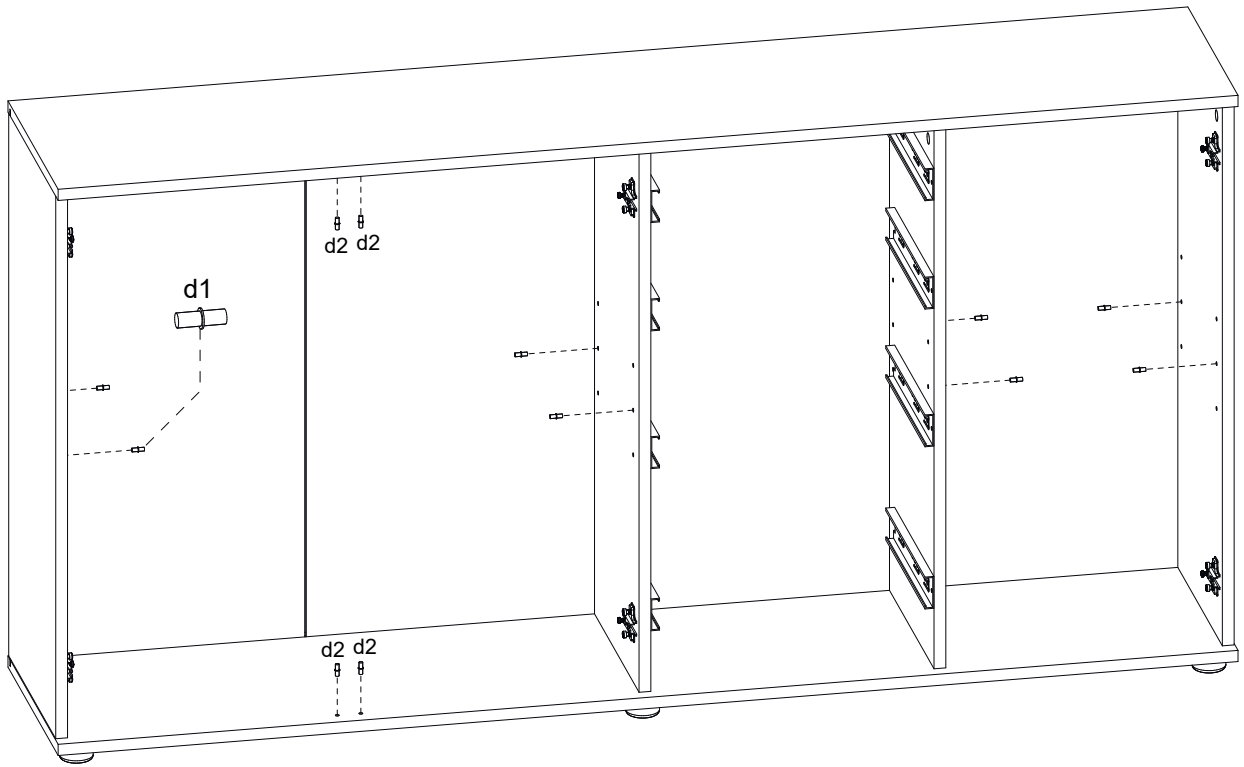
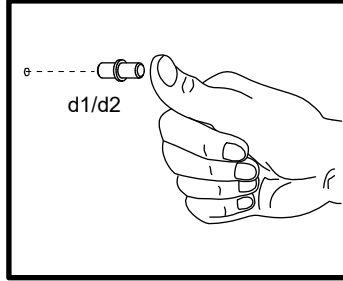


Ø 5mm

d2 x 4



Ø 5mm



9

y1 x 2

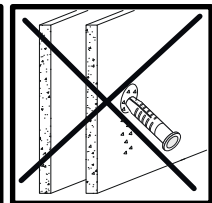
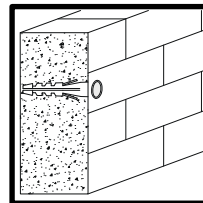
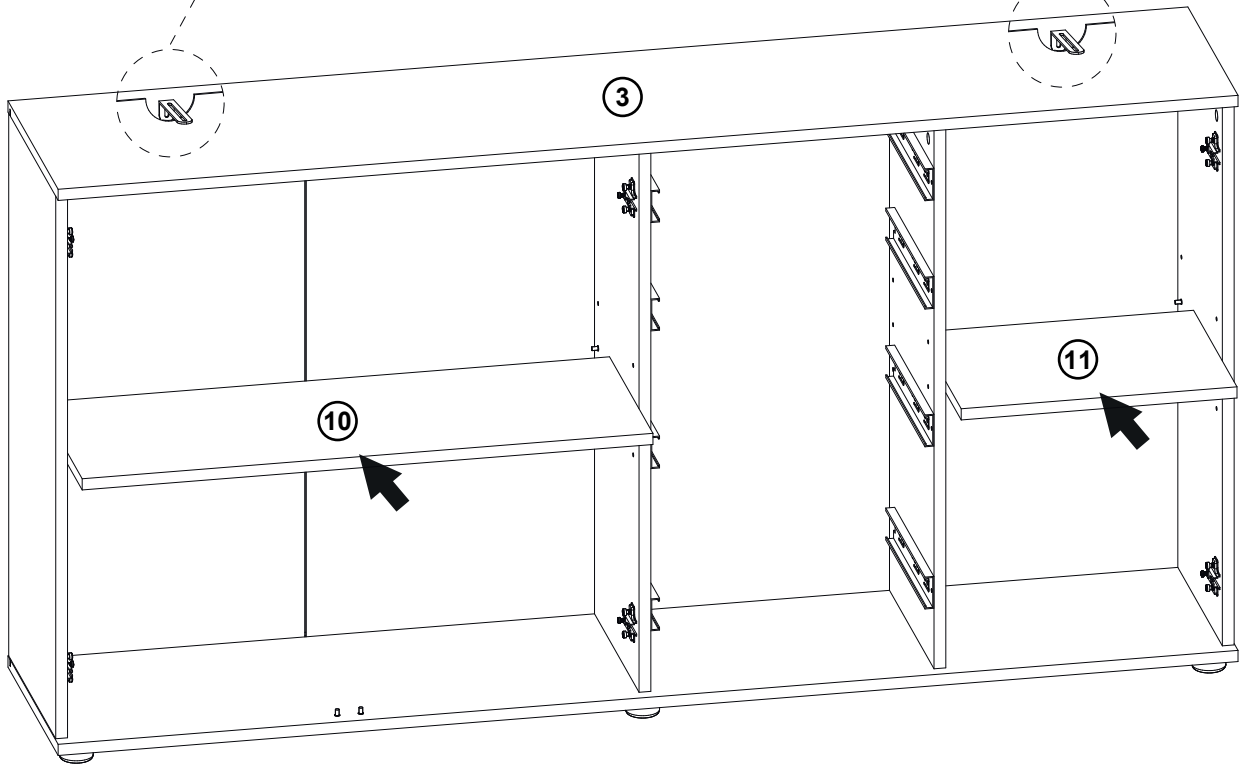
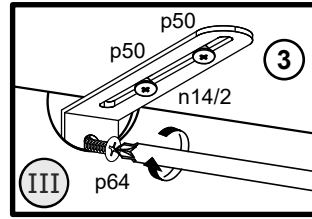
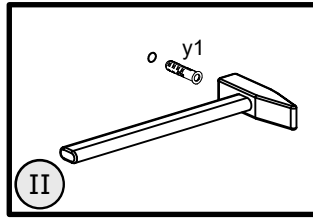
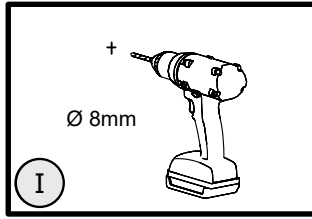


Ø 8x50mm

p64 x 2



Ø 4,2x65mm



10

z1 x 1



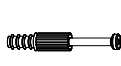
4mm

e27 x 8



Ø 6,3x50mm

r23 x 8



45mm

r1 x 8



Ø 15x12mm

s1 x 8



Ø 20mm

p26 x 4

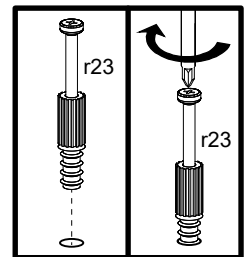
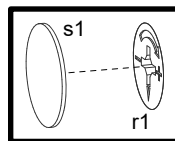
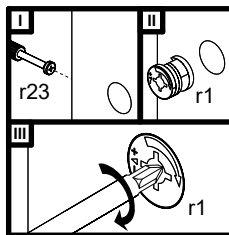
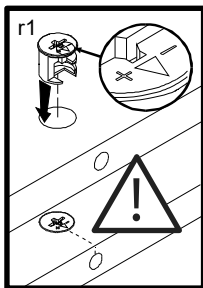
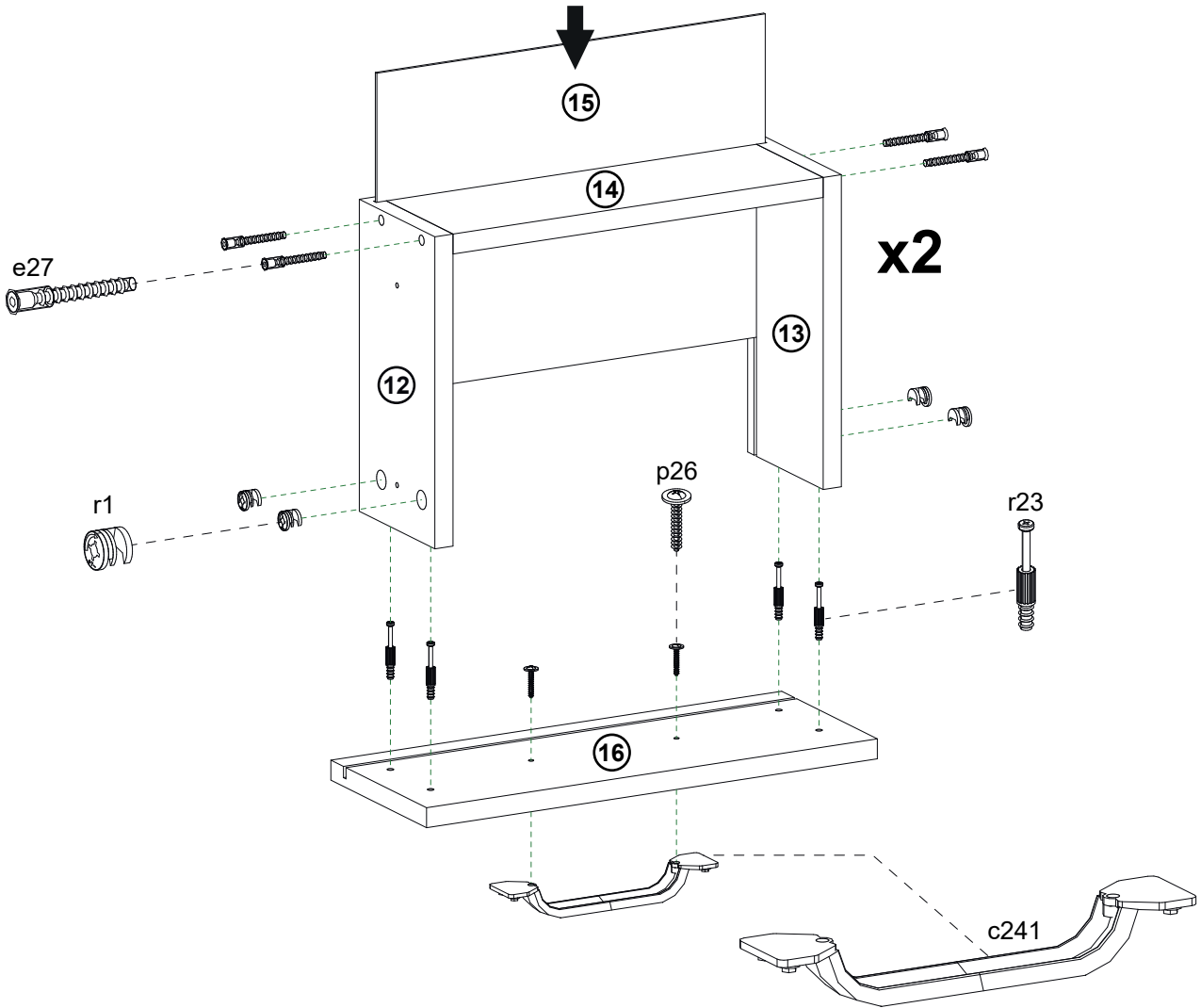
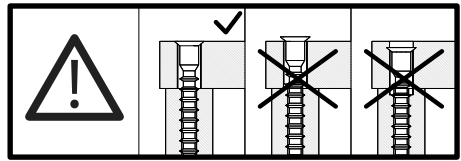
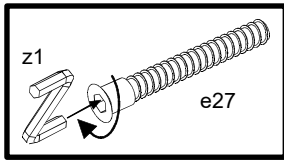


Ø 4x25mm

c241 x 2



L=184mm



11

z1 x 1



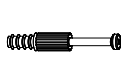
4mm

e27 x 8



Ø 6,3x50mm

r23 x 8



45mm

r1 x 8



Ø 15x12mm

s1 x 8



Ø 20mm

p26 x 4

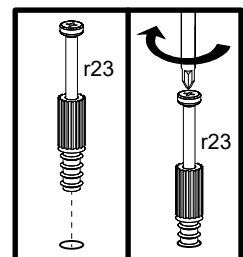
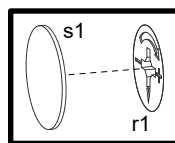
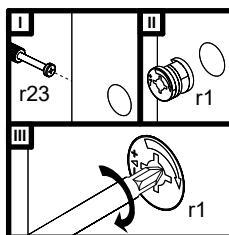
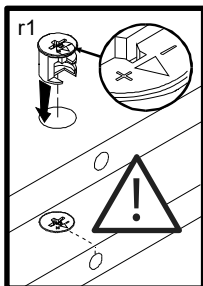
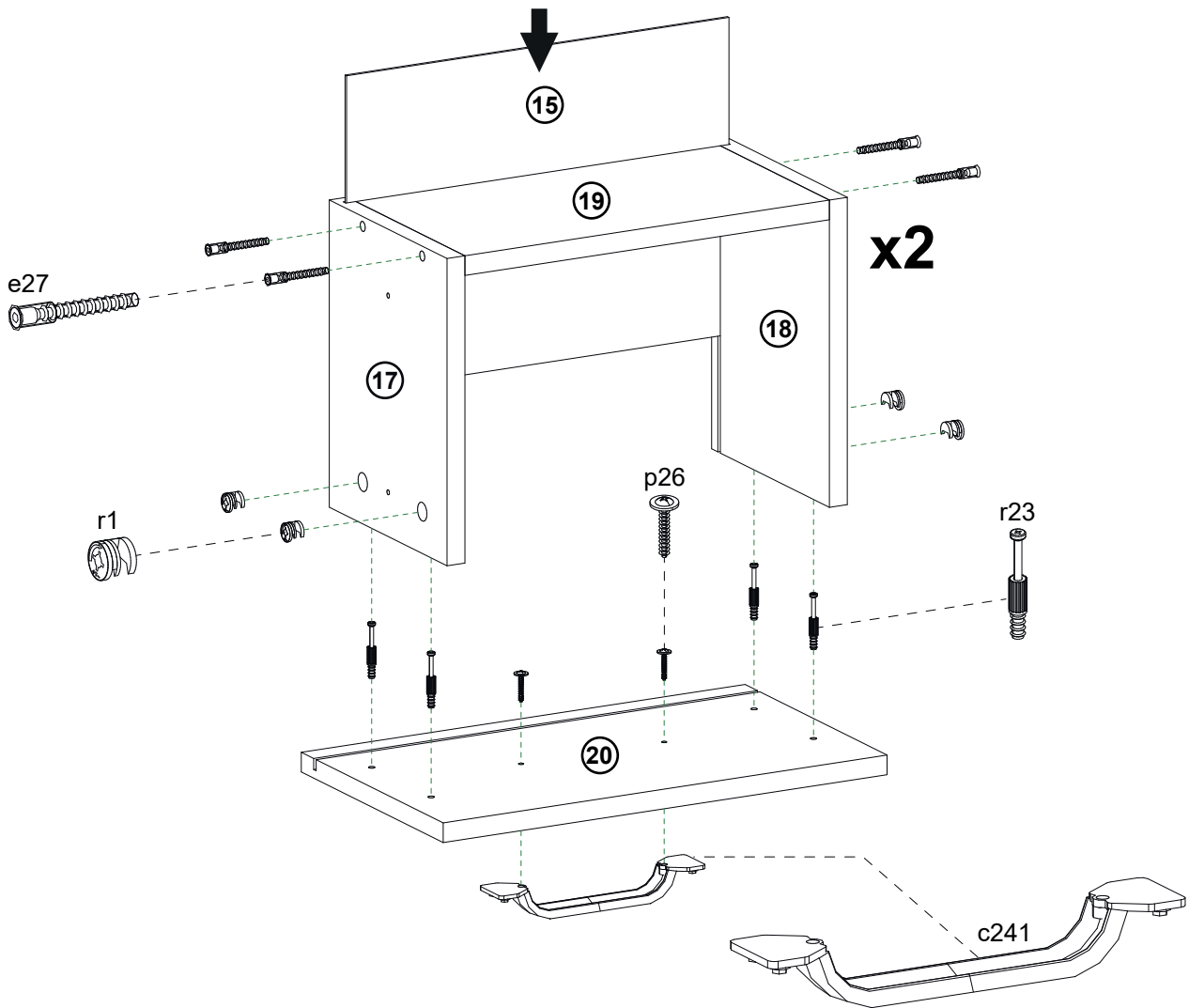
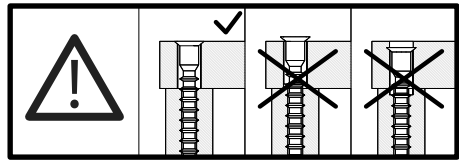
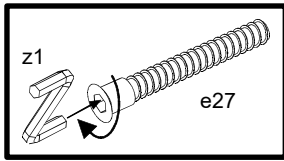


Ø 4x25mm

c241 x 2



L=184mm



12

n2 x 4



L=250mm

p50 x 16

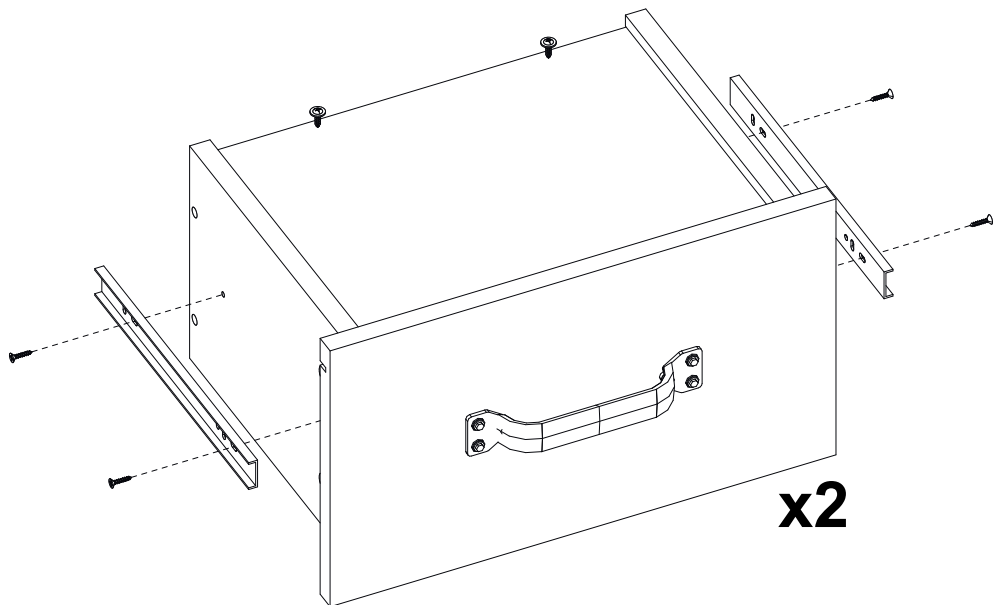
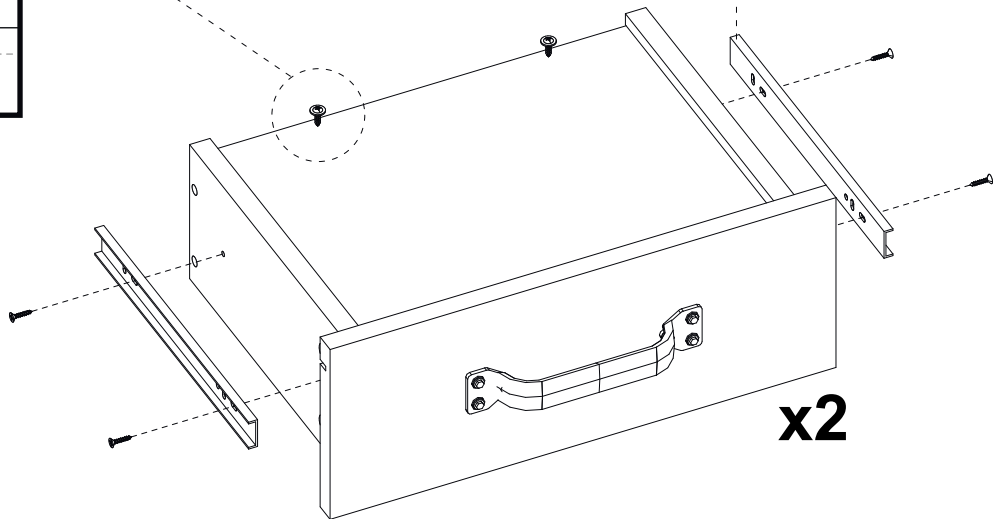
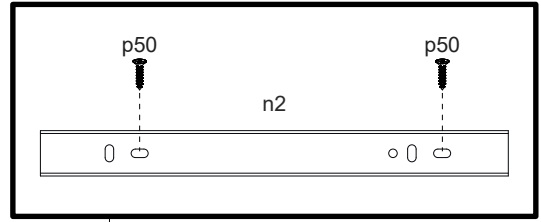
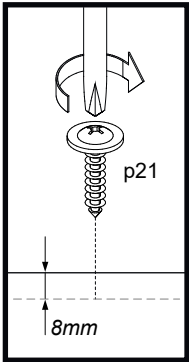


Ø 3x16mm

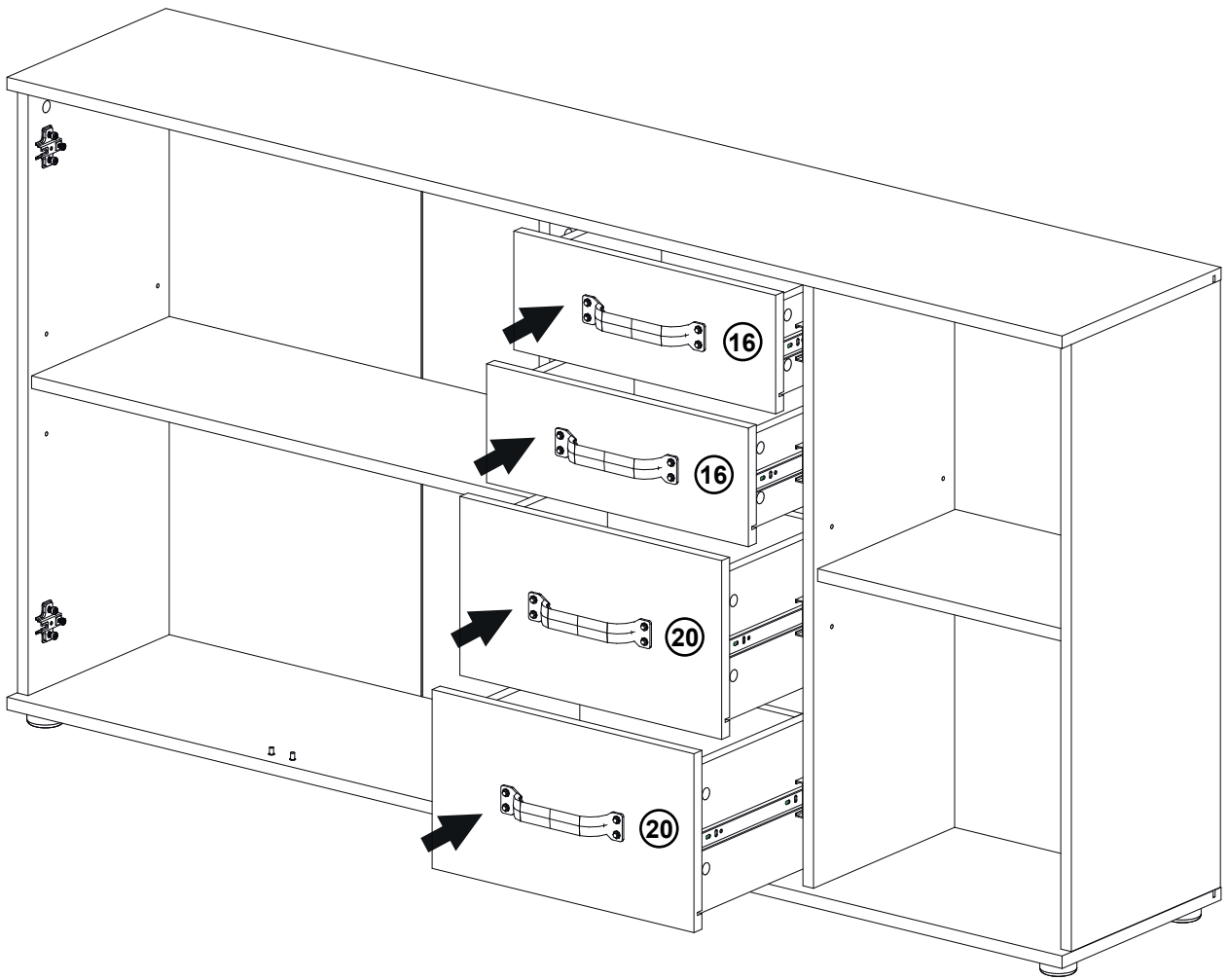
p21 x 8



Ø 4,2x16mm



13



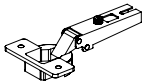
14

p51 x 8



Ø 3,5x16mm

a1 x 4



Ø 35mm

p26 x 4



Ø 4x25mm

c241 x 2

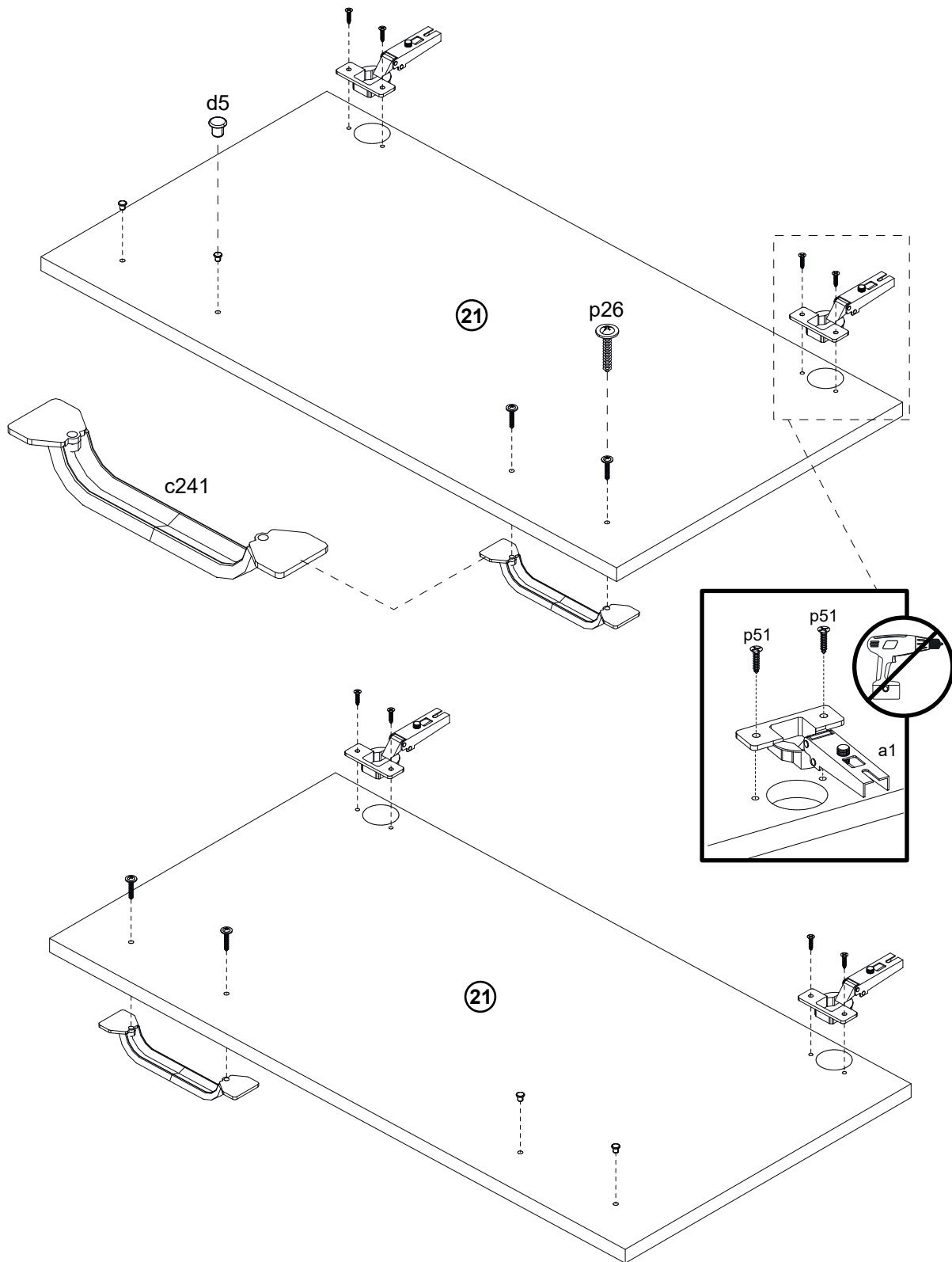


L=184mm

d5 x 4



Ø 5mm



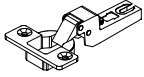
15

p51 x 4



Ø 3,5x16mm

a2 x 2



Ø 35mm

p26 x 2



Ø 4x25mm

c241 x 1



L=184mm

r5 x 2

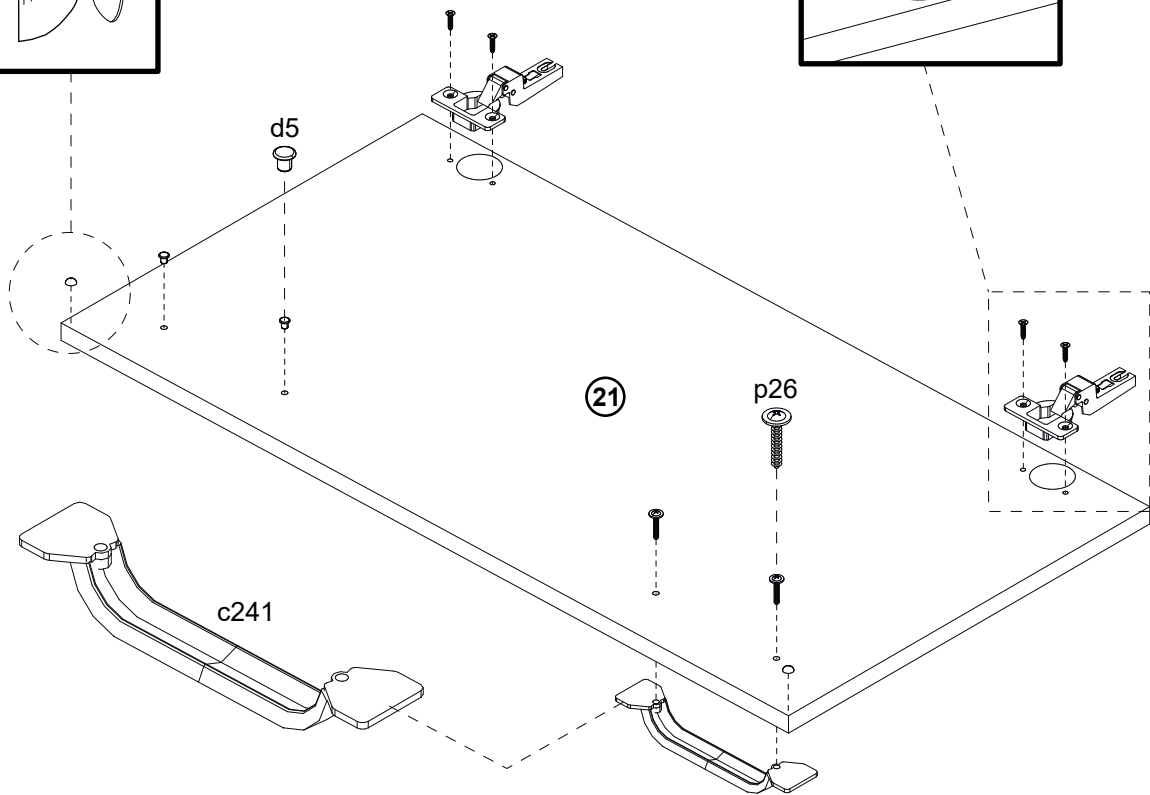
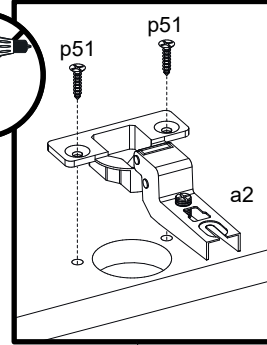
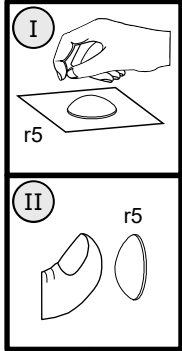


Ø 6mm

d5 x 2



Ø 5mm



16

