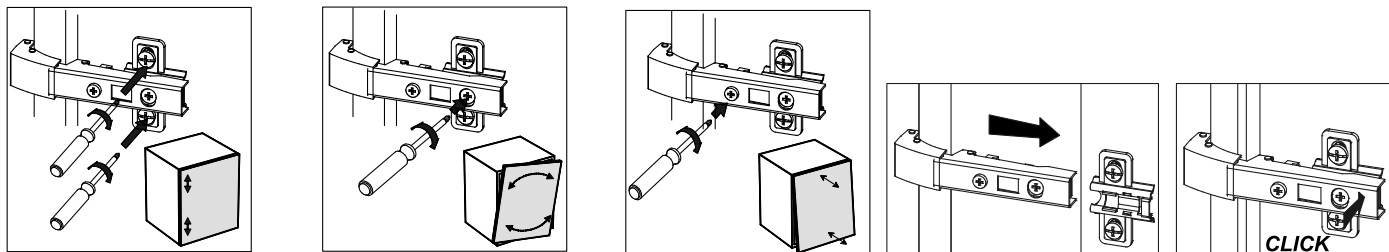
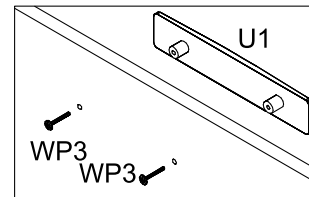
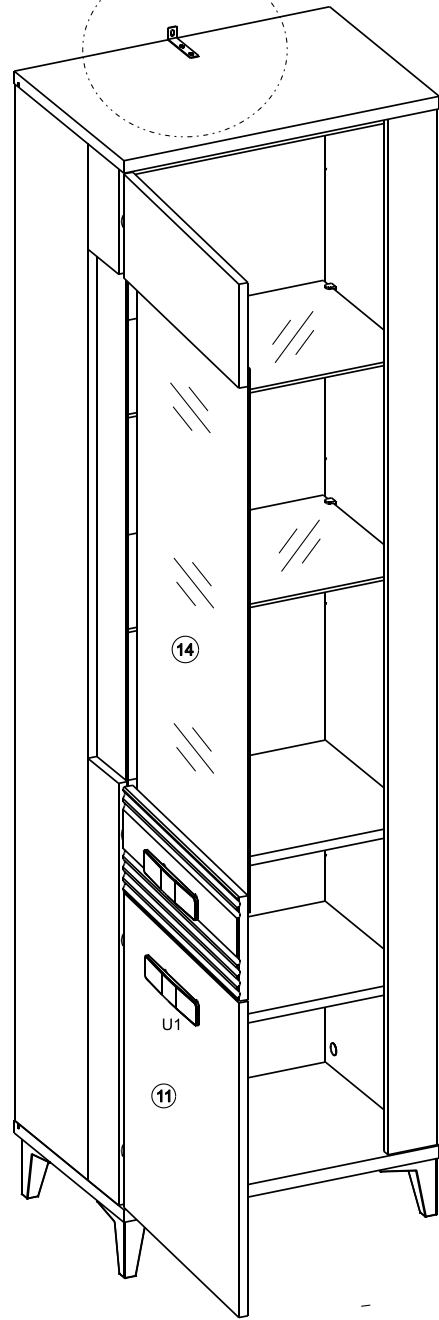
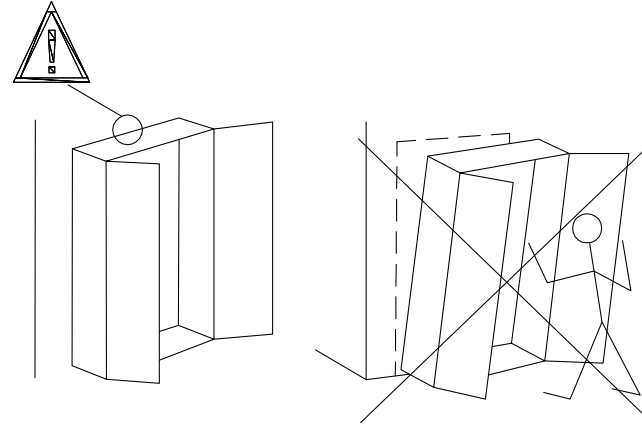
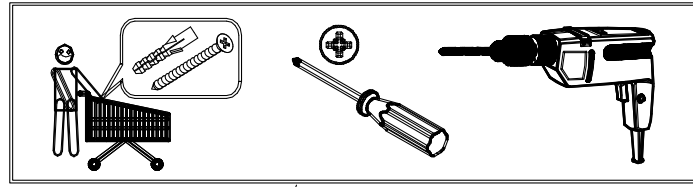
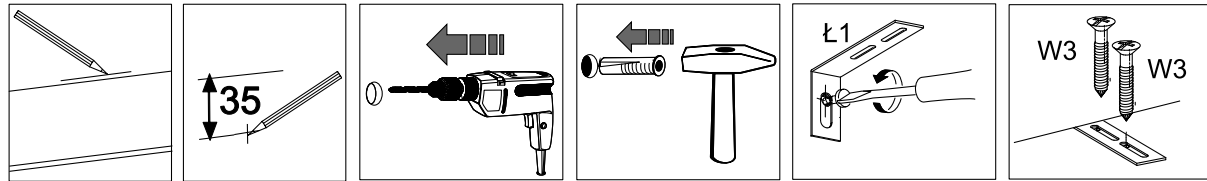
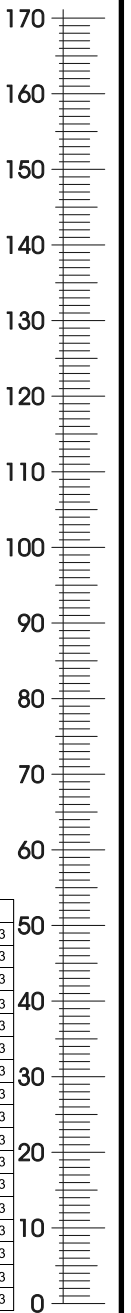
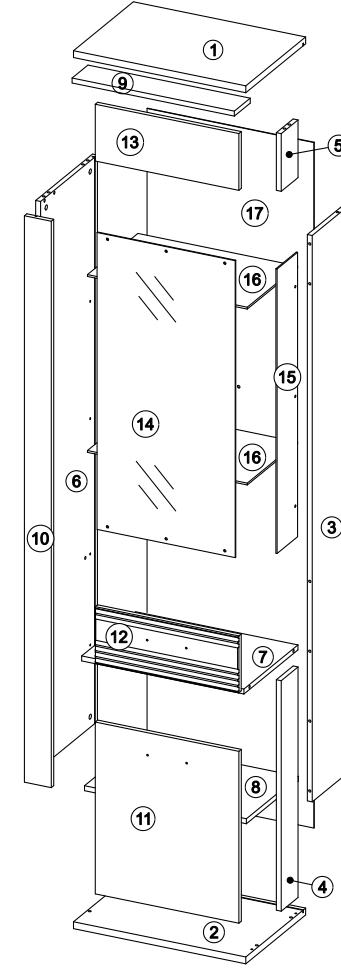
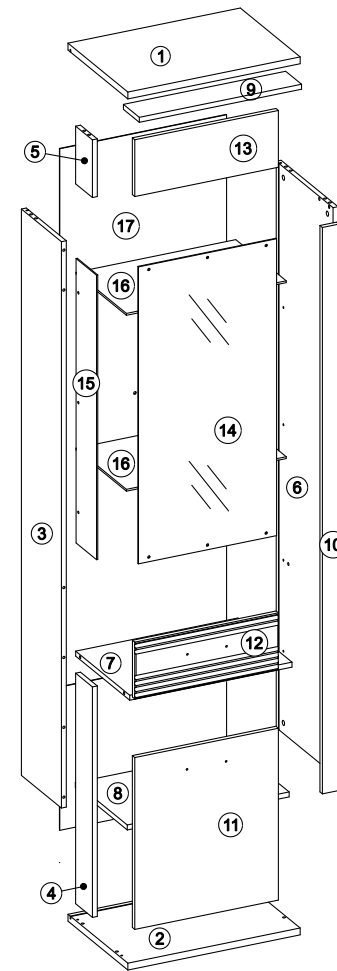
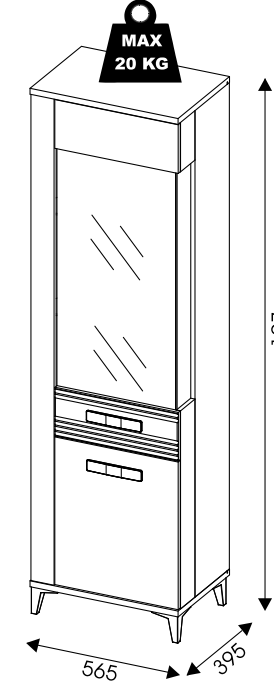
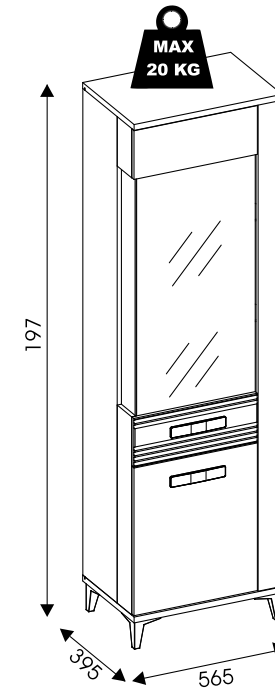
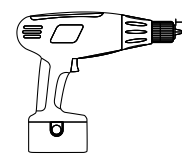
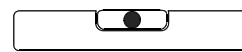
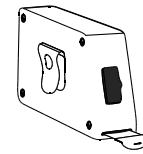
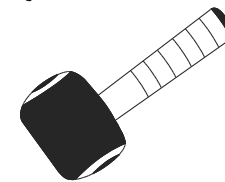
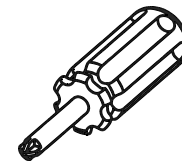
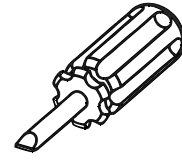
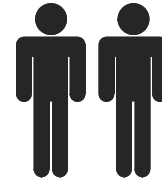
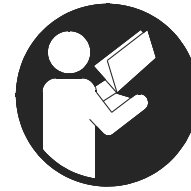


15

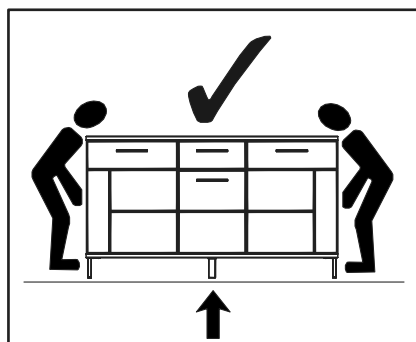
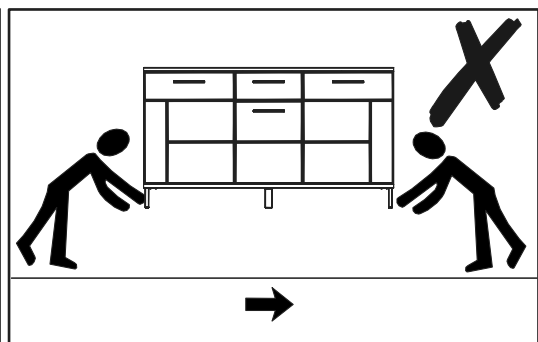
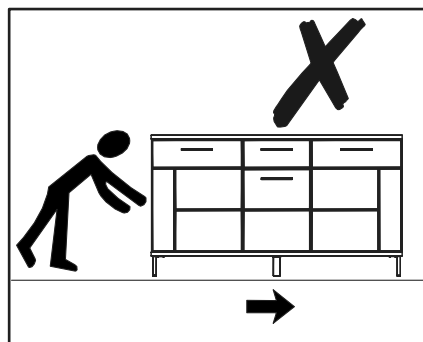
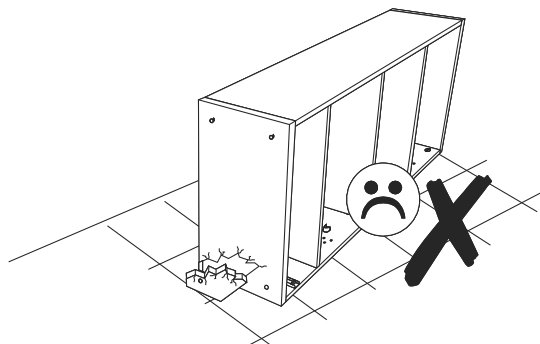
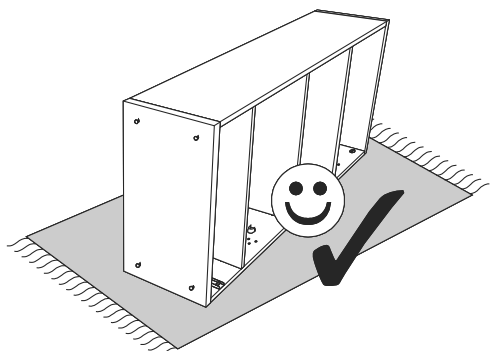
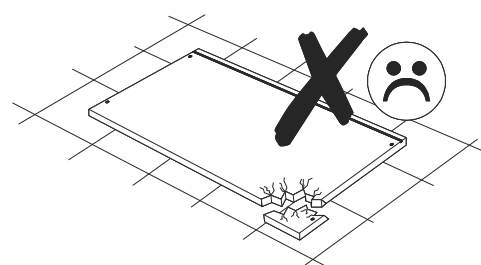
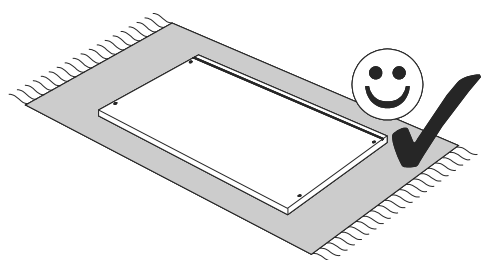
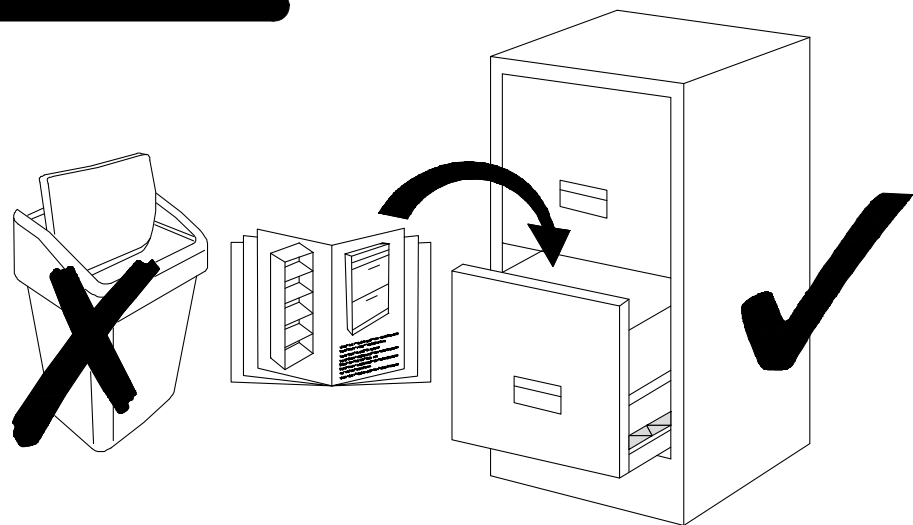


# MODELL: SB8;9

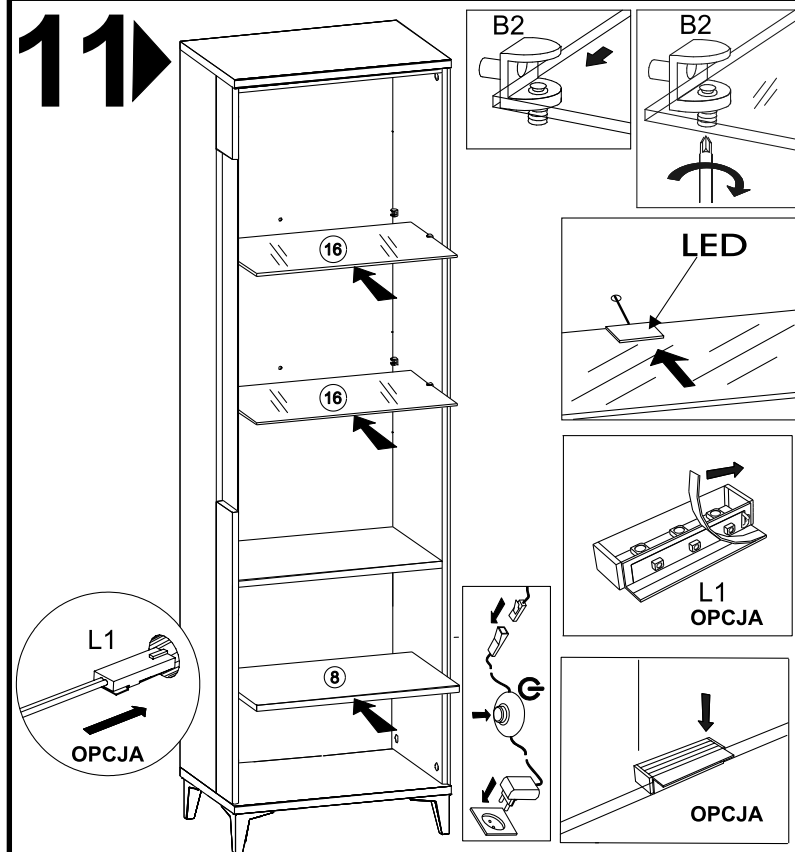


17	183x546	2/3
16	523x330	3/3
15	912x134	2/3
14	952x452	2/3
13	470x182	3/3
12	470x182	3/3
11	470x551	3/3
10	1816x88	2/3
9	531x104	2/3
8	530x340	1/3
7	531x354	1/3
6	1816x372	2/3
5	185x110	2/3
4	739x110	2/3
3	1816x262	2/3
2	564x392	1/3
1	564x392	1/3

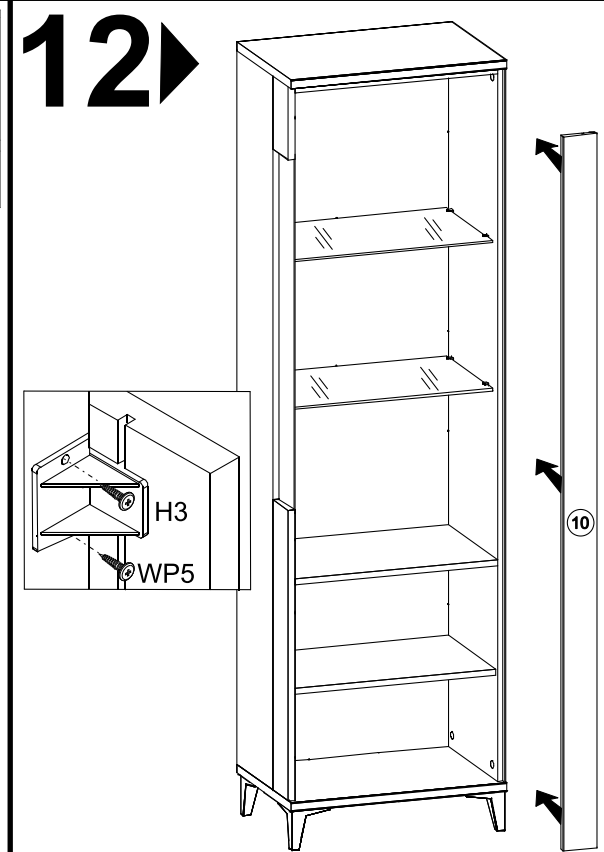
4x ZC0	16x 5x20 W5	1x L1	9x 4x16 WP4	1x OPCJA 2xNSP-3D/WW L1		
24x #20/863 ZN1	10x 3.5x16 W3	14x ST1	8x B2	9x TU1	14x 3x20 W9	4x H=0 PRO
6x 56 T3	16x 8x30 K1	2x U1	20x 3.5x16 WP5	24x #15/15 M1	12x DU232T T1	5x H3
						4x 4x27 WP3
						4x N1
						4x 2x20 G1
						4x B1



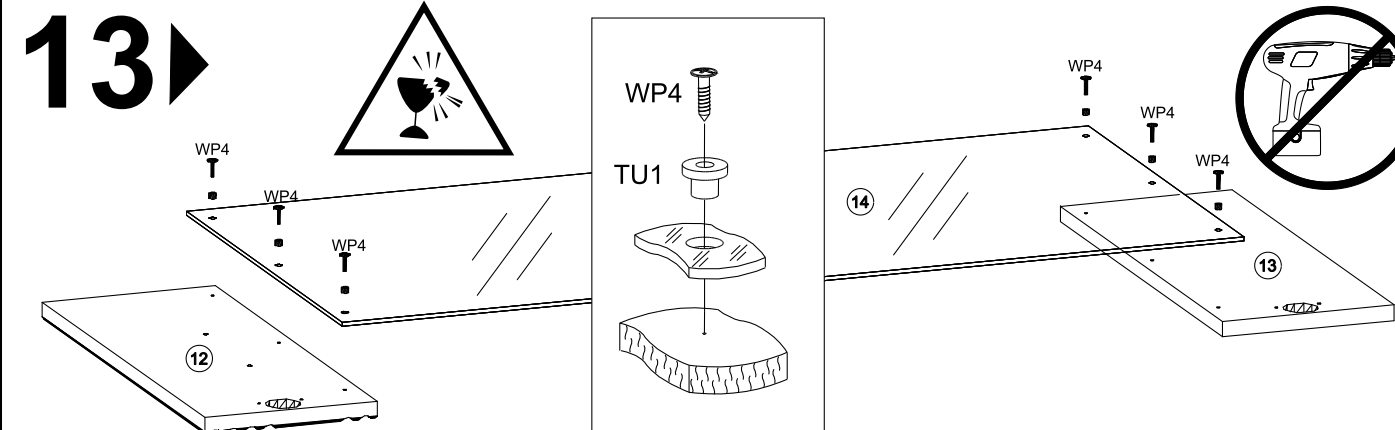
11



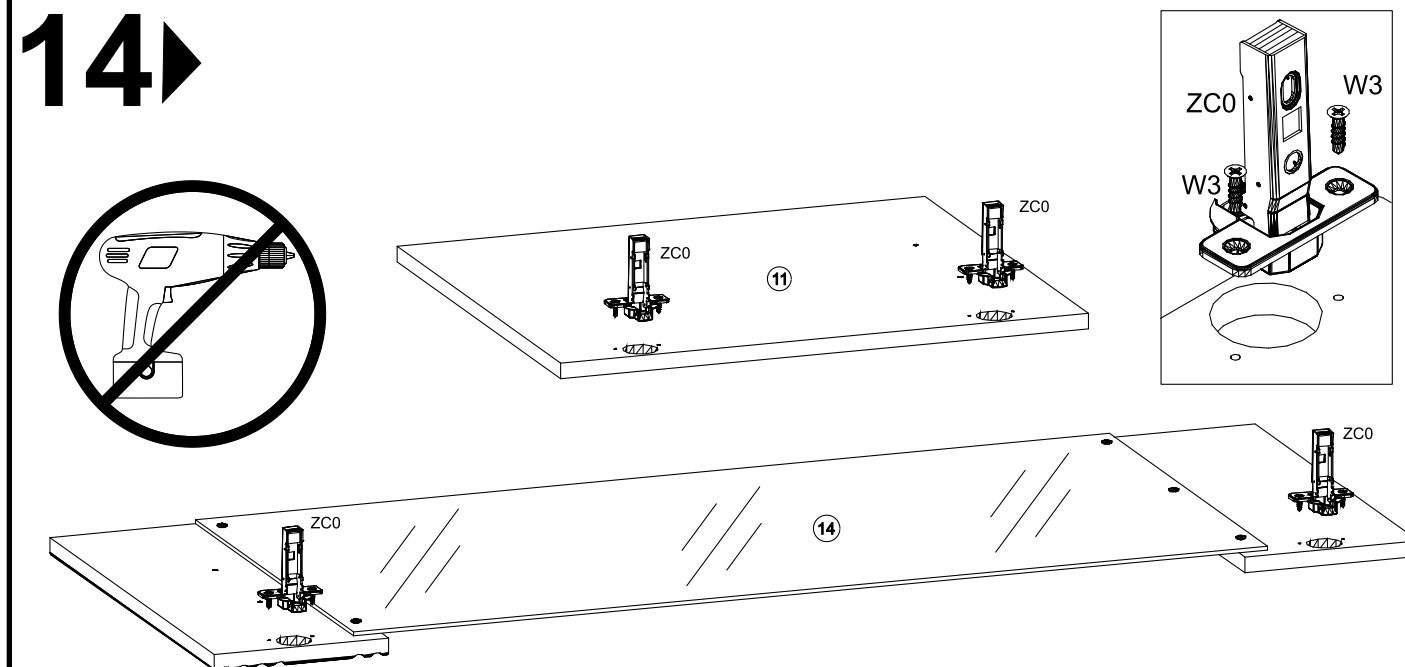
12



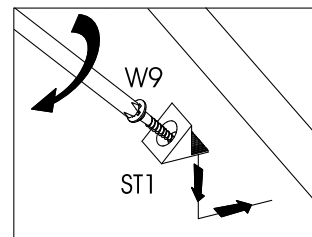
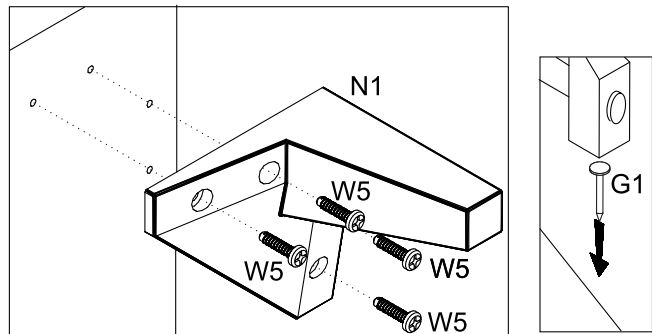
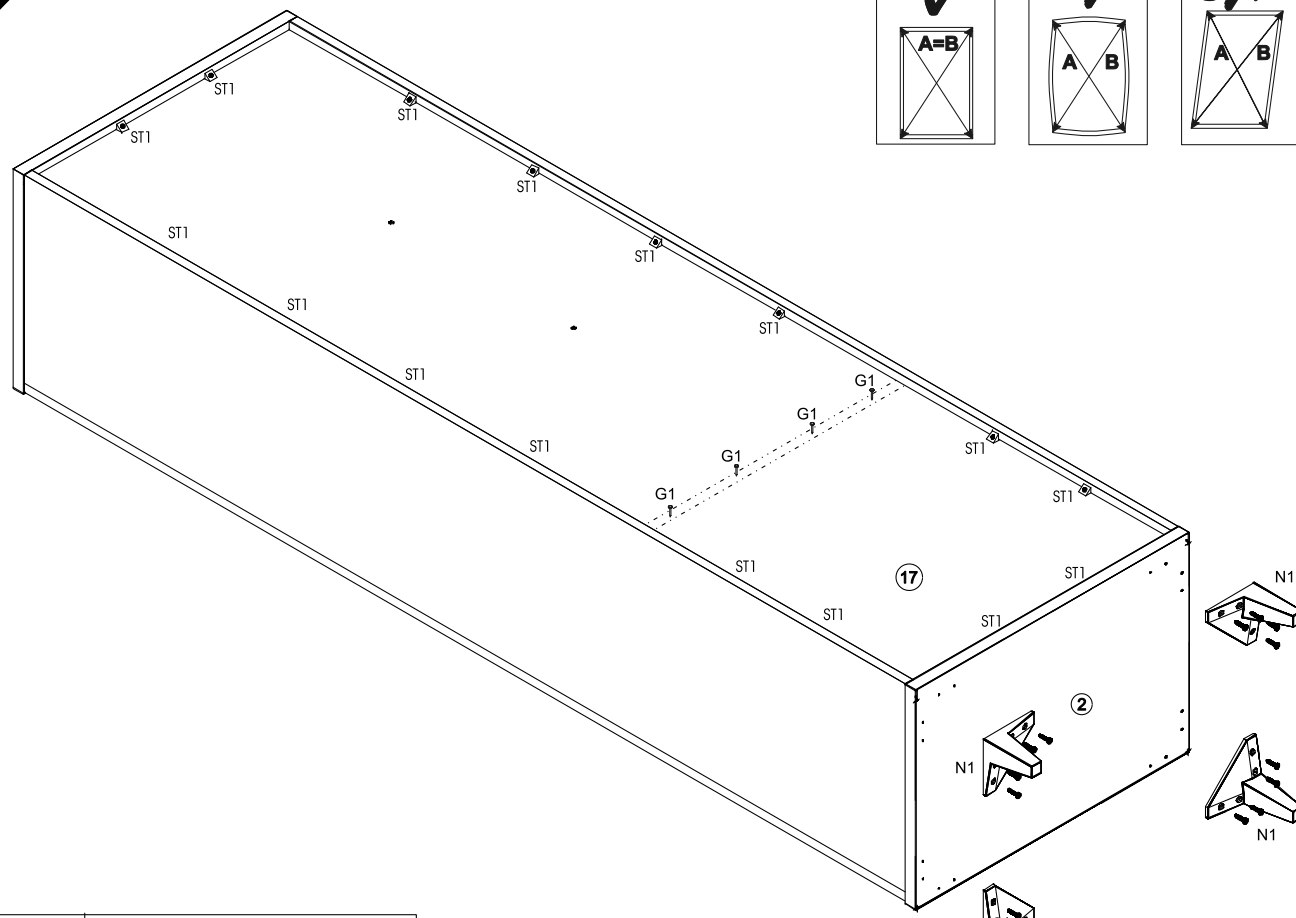
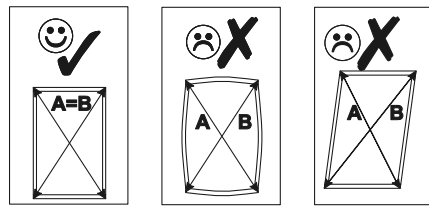
13



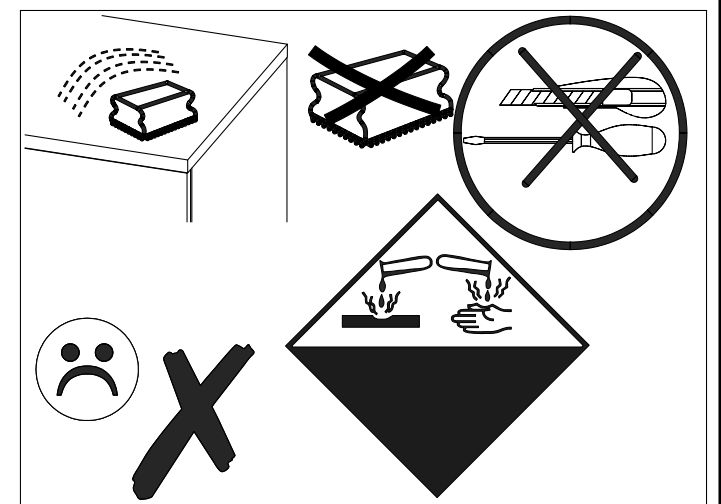
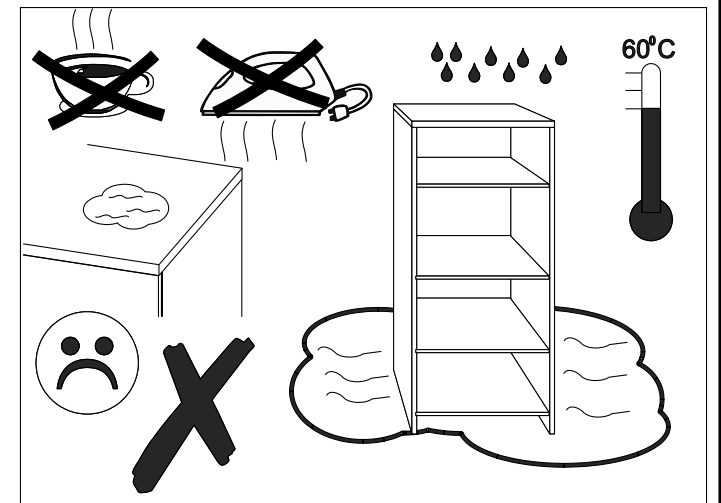
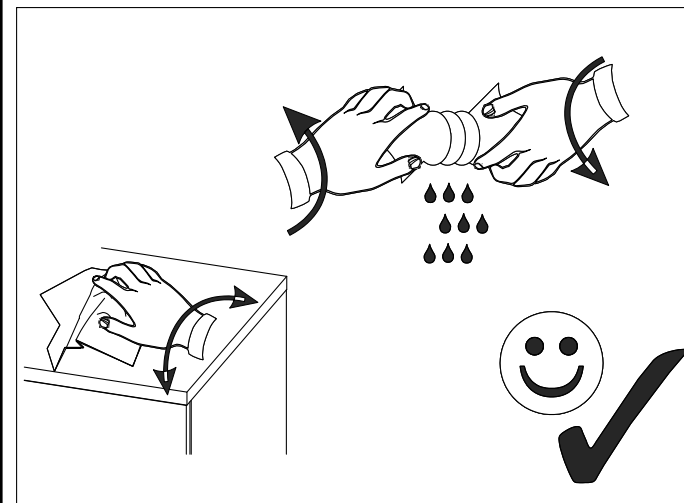
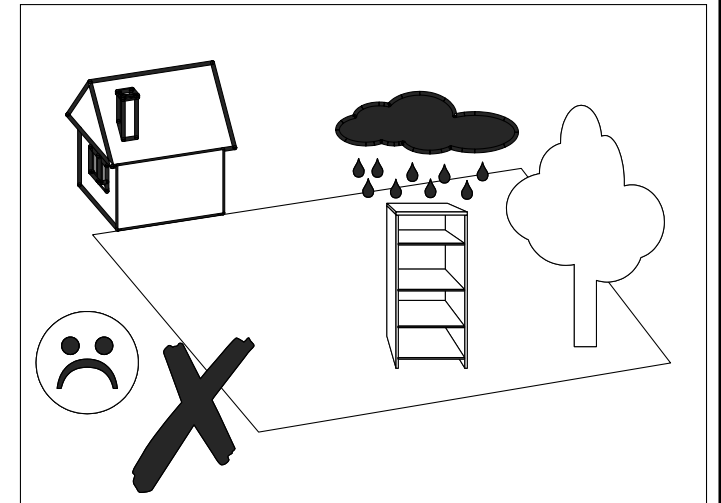
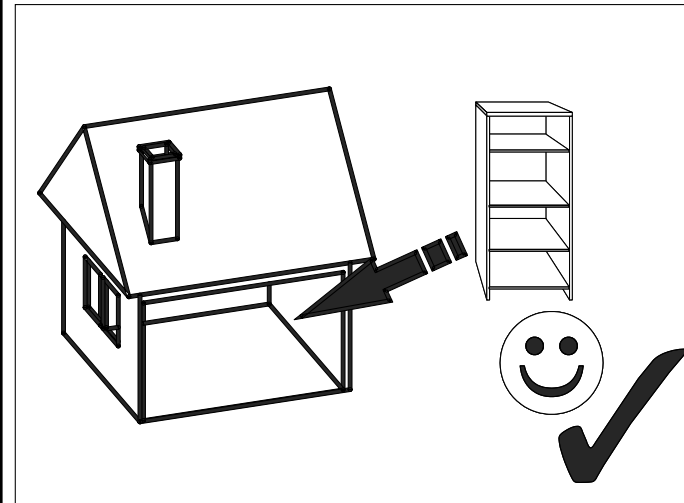
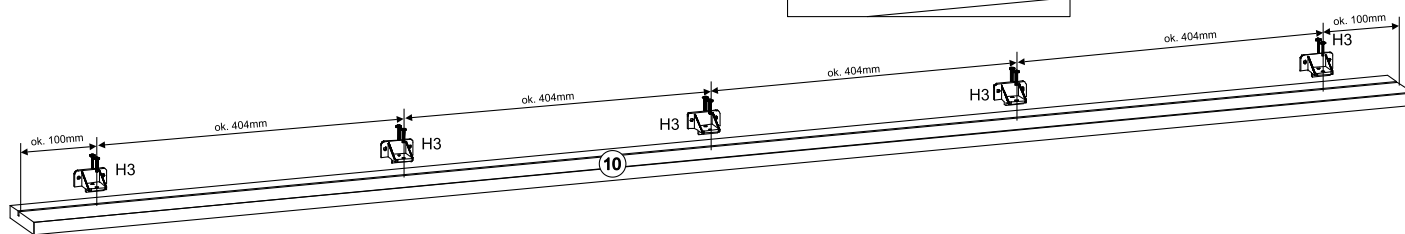
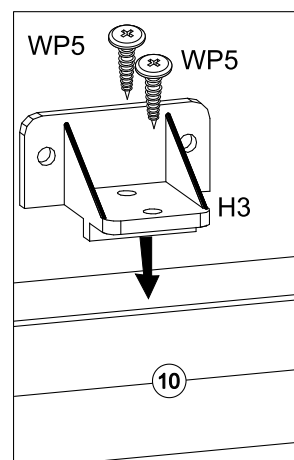
14



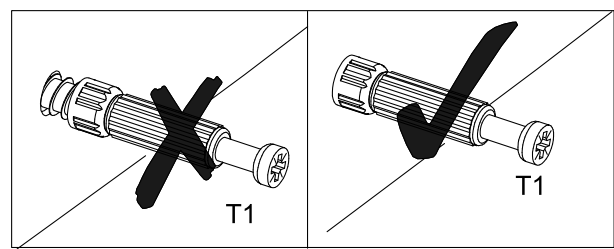
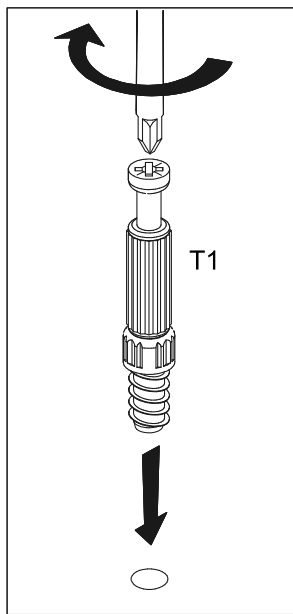
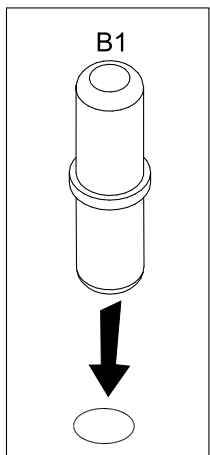
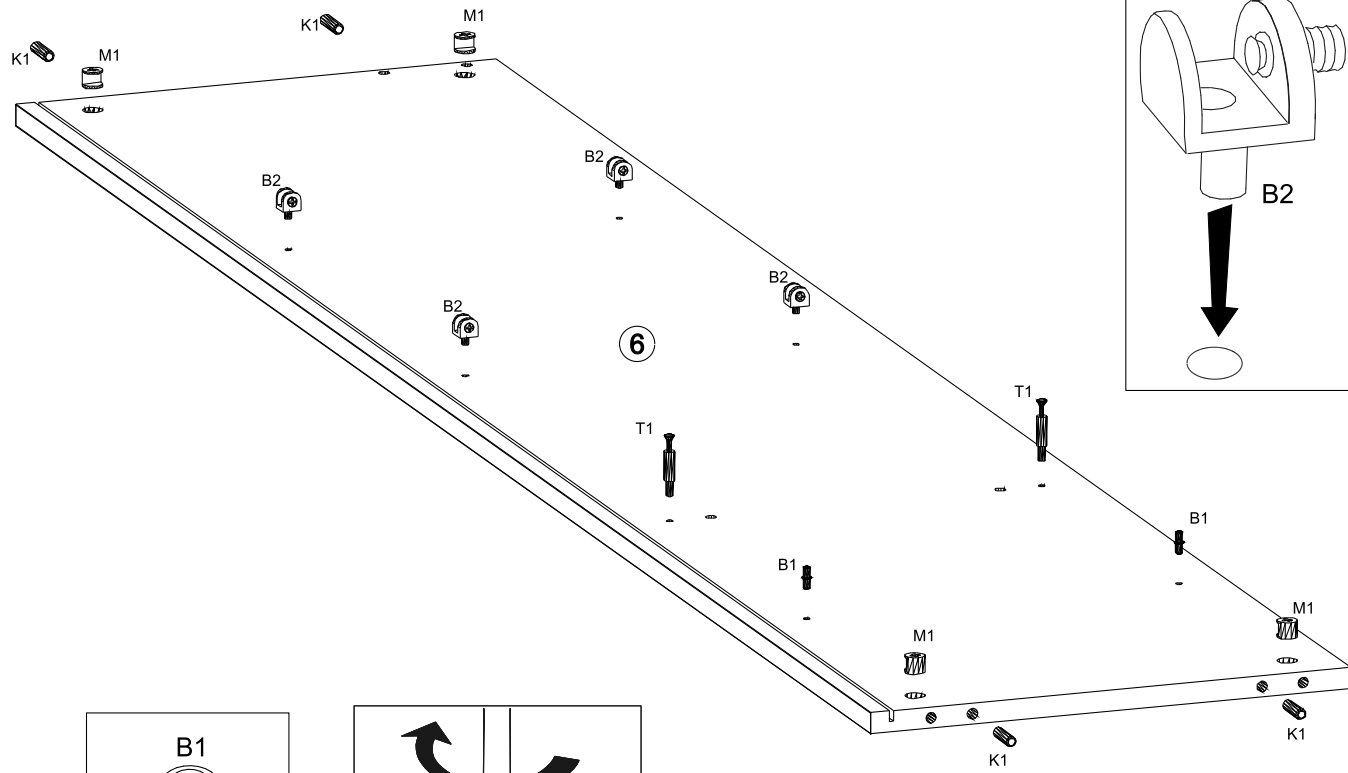
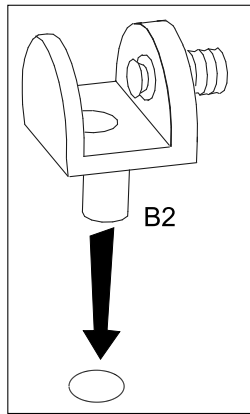
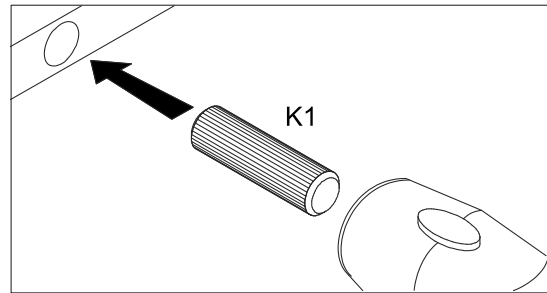
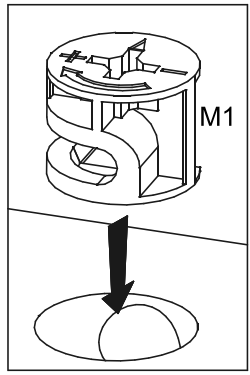
9



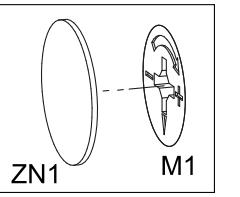
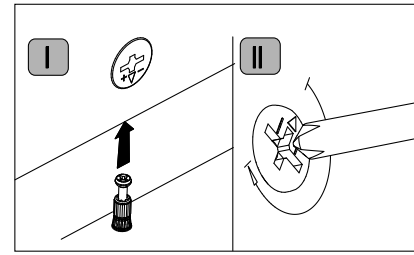
10



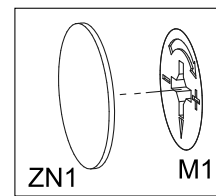
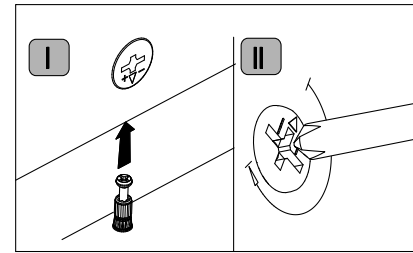
1▶



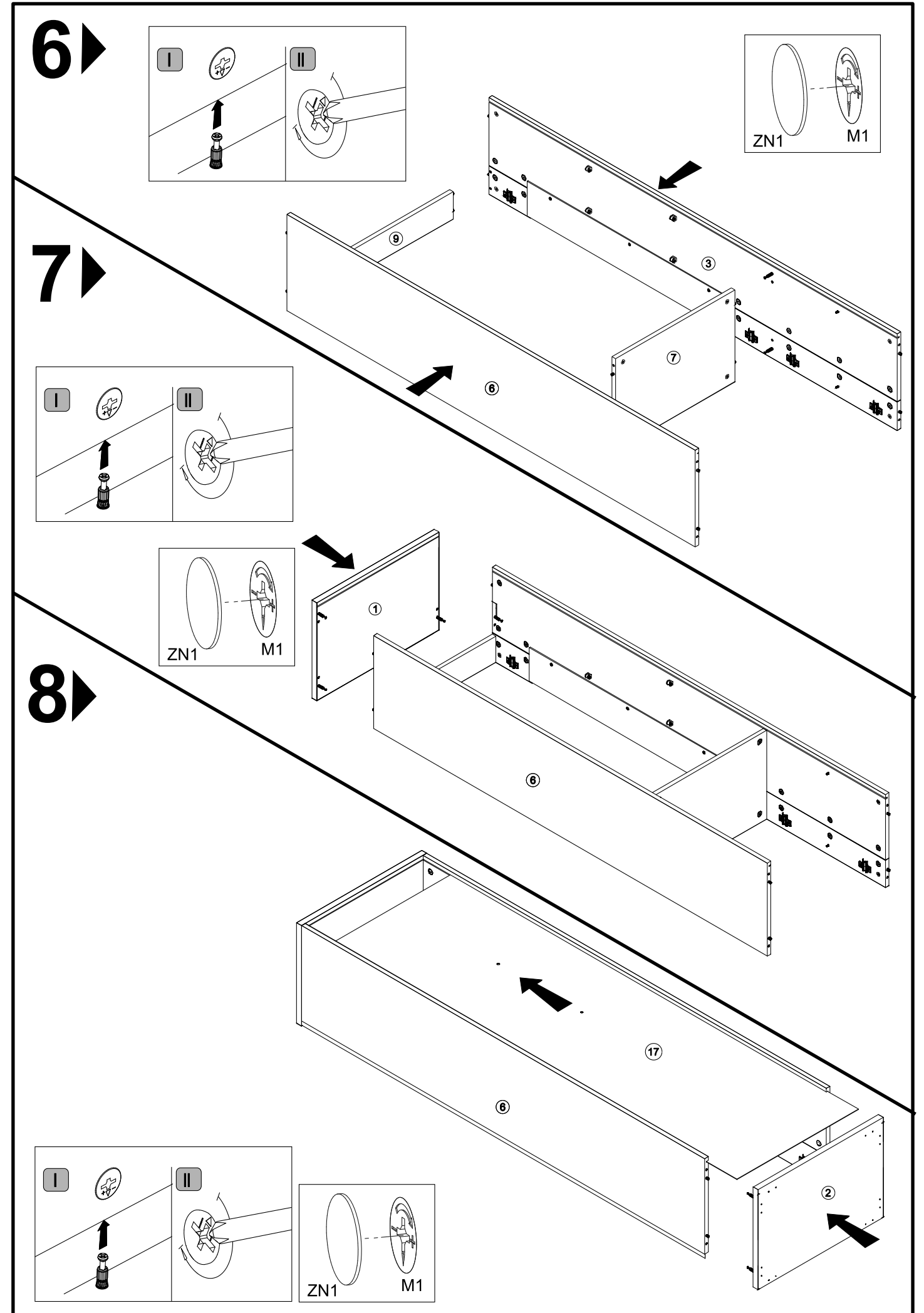
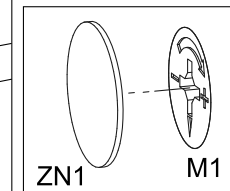
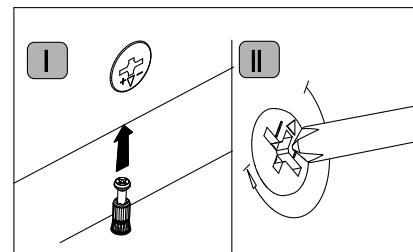
6▶



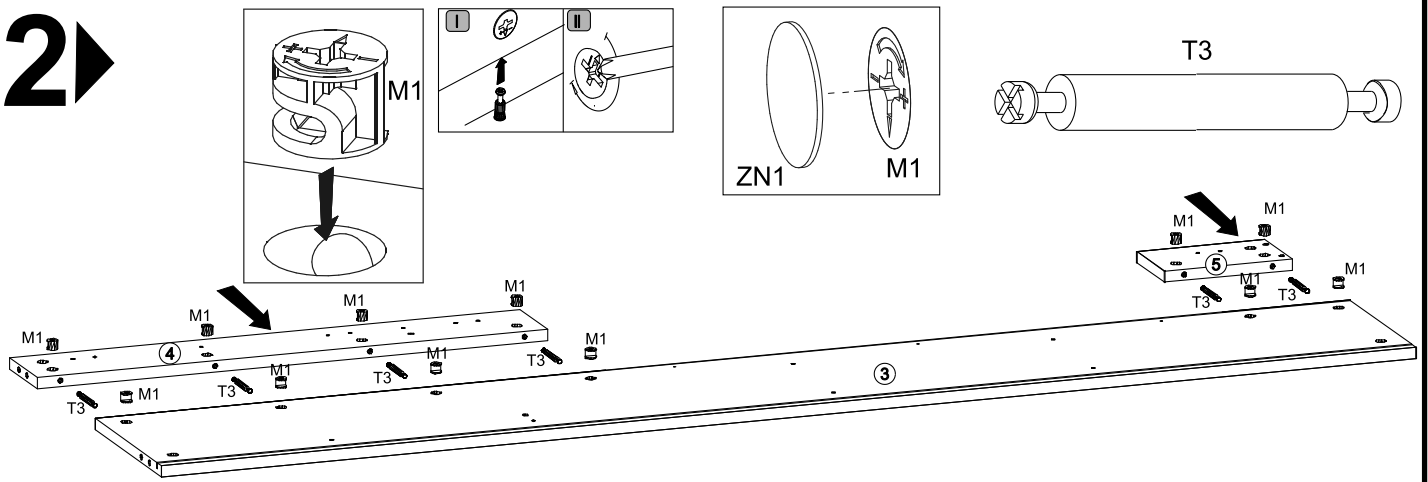
7▶



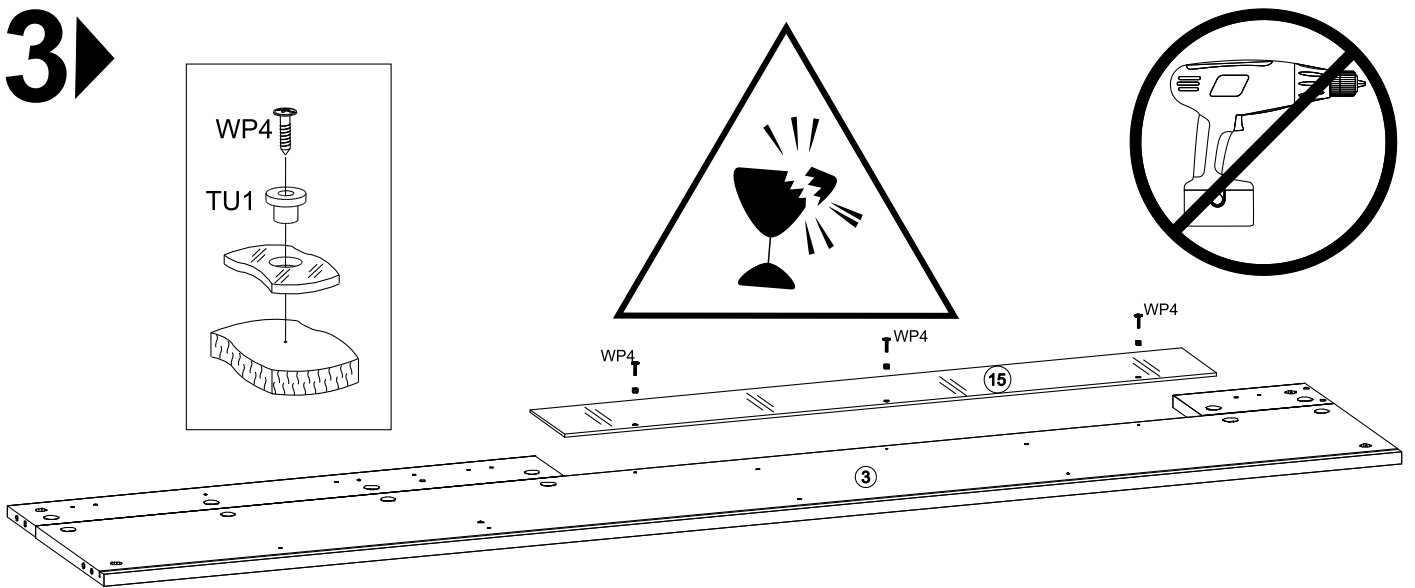
8▶



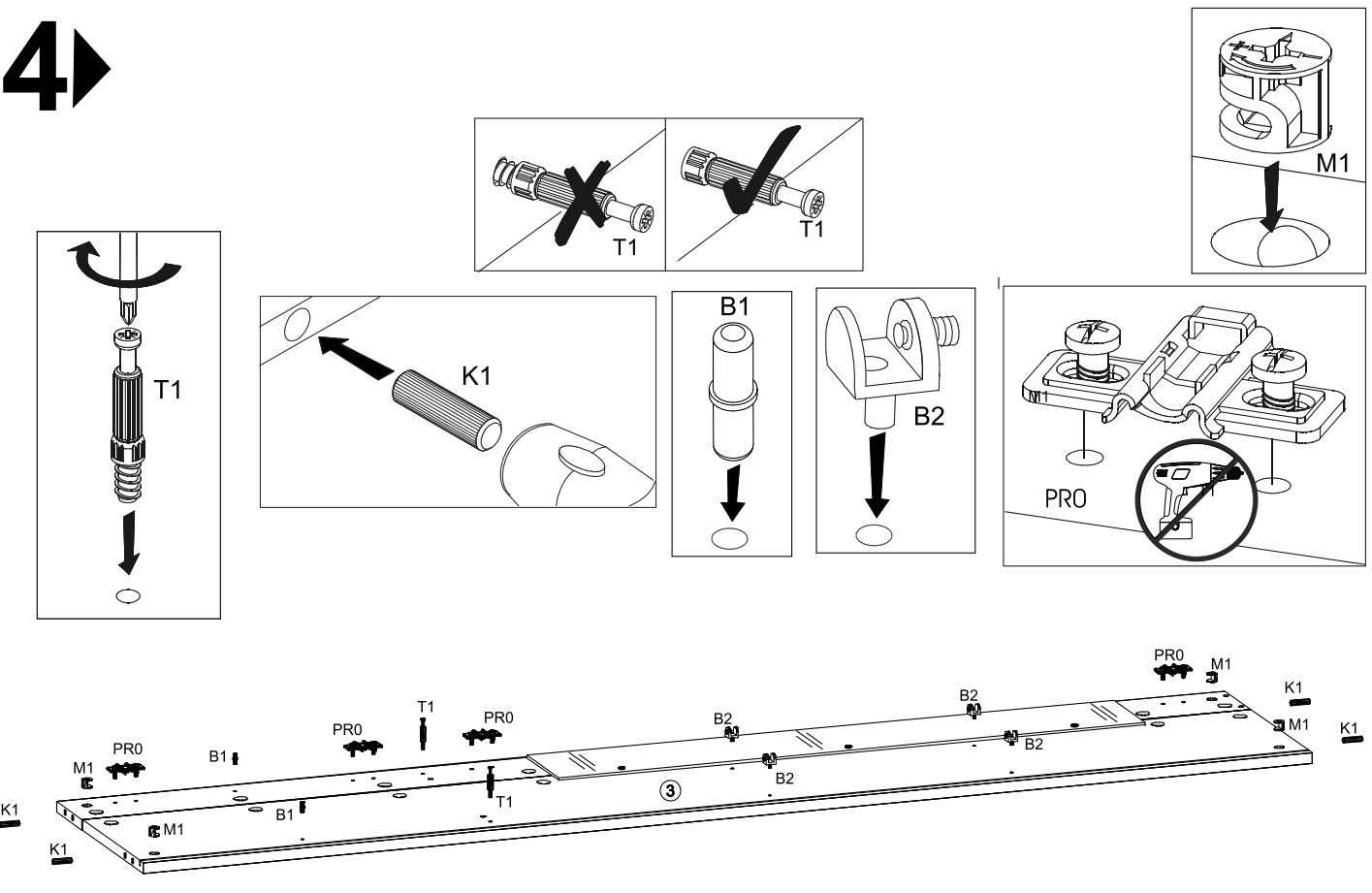
# 2



# 3



# 4



# 5

