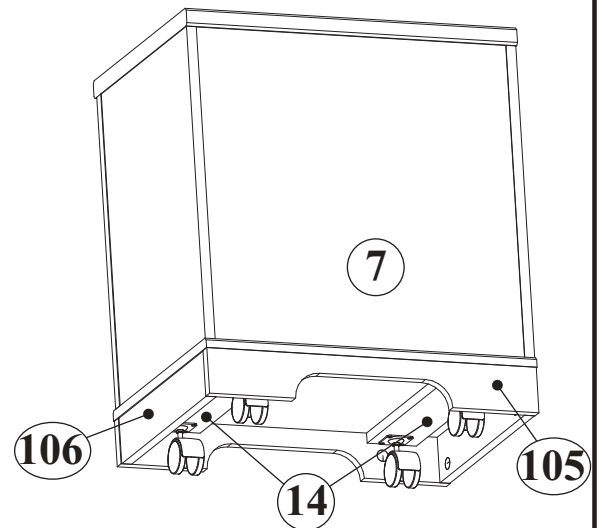
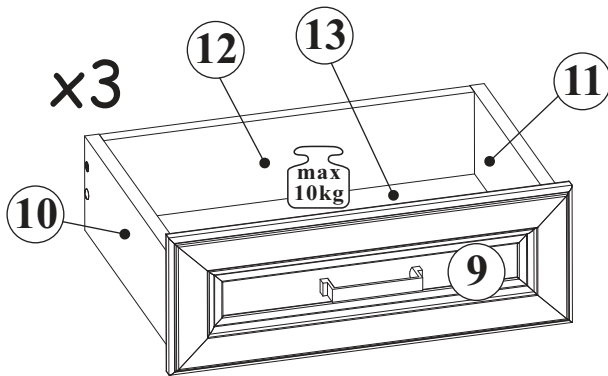
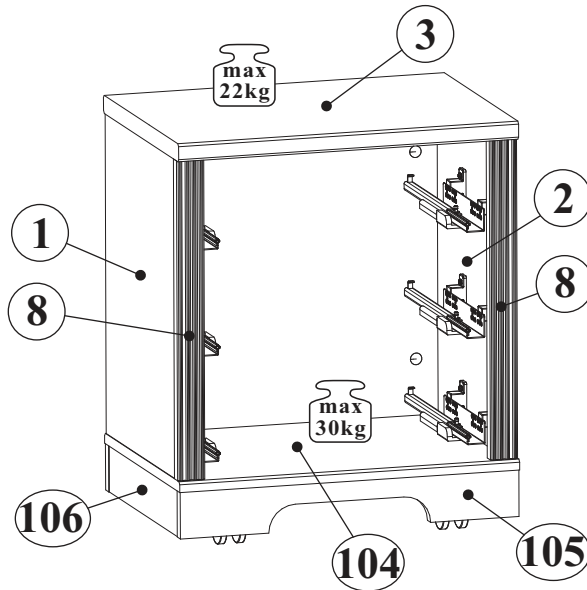
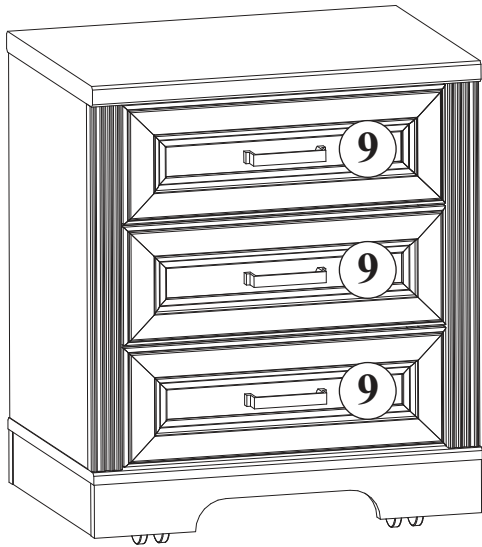
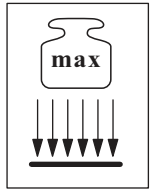
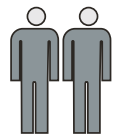


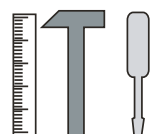
JASMIN 5K 21--16

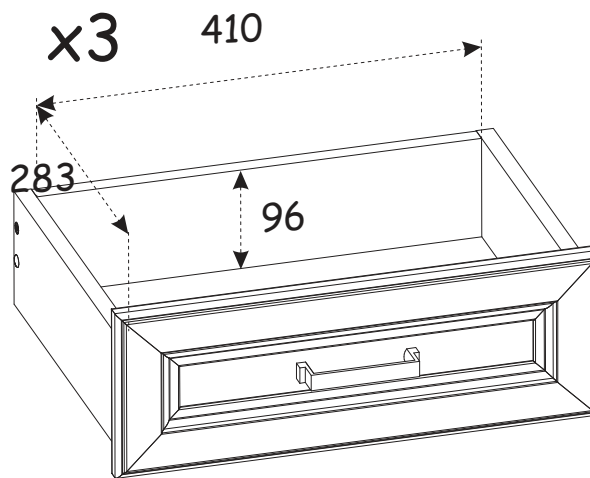
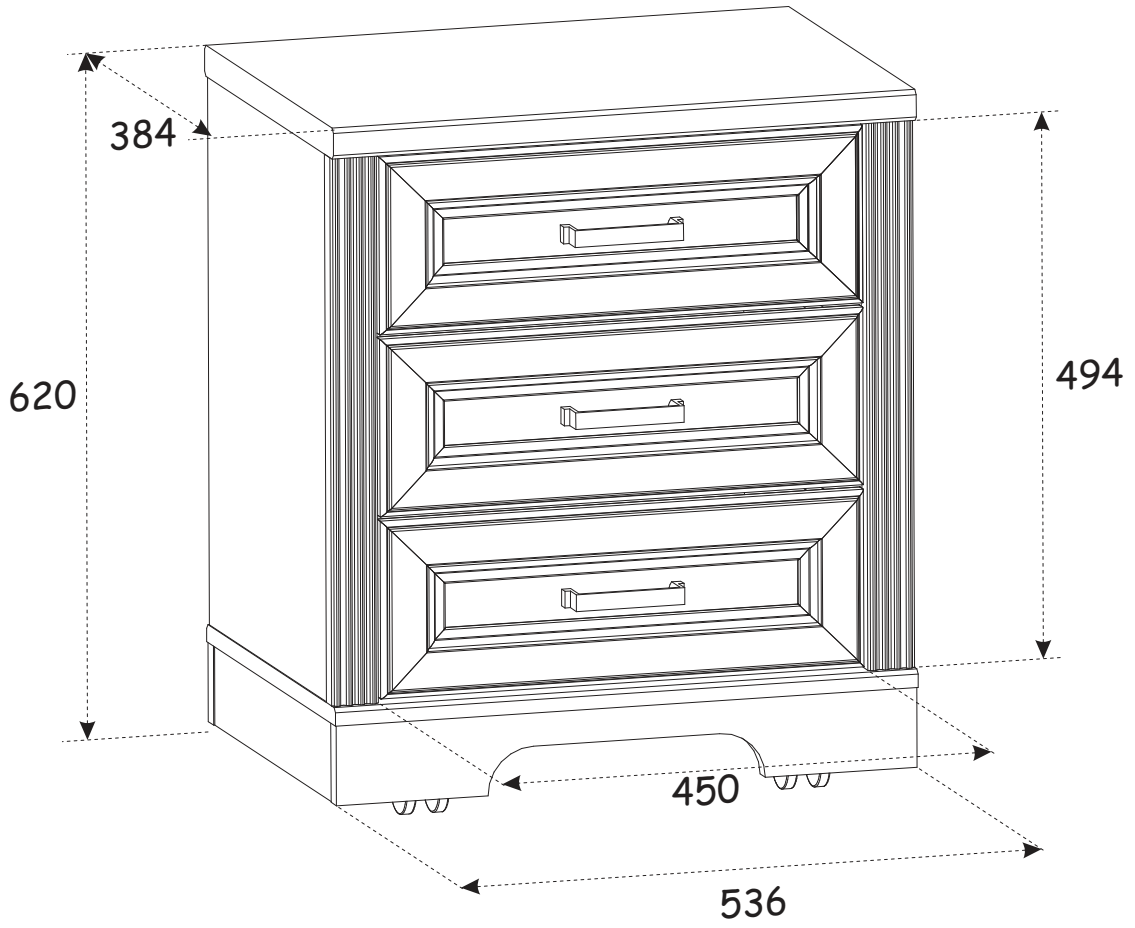


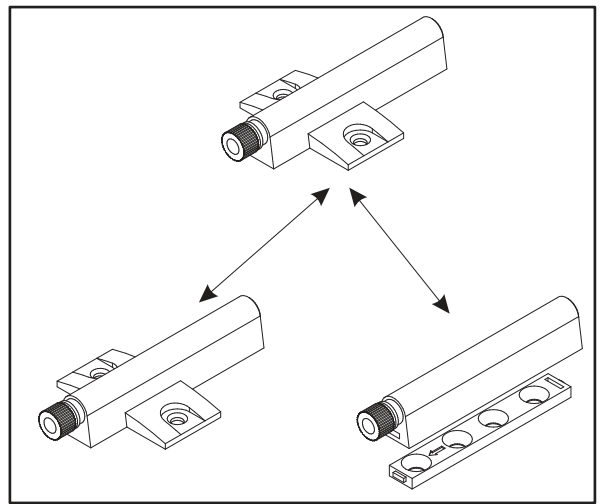
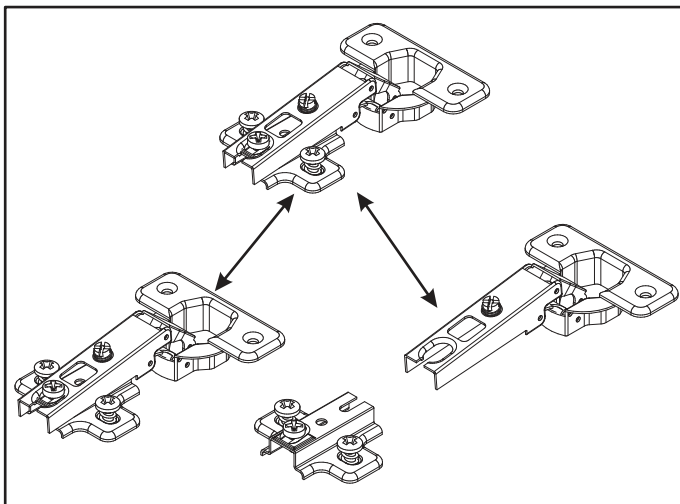
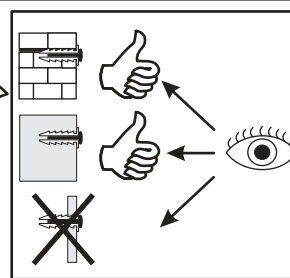
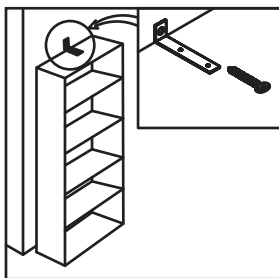
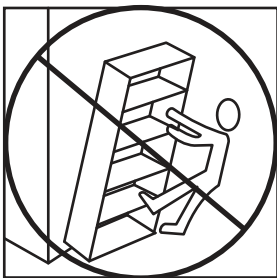
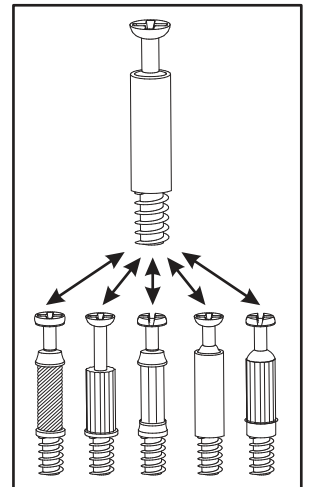
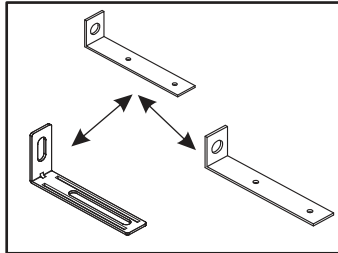
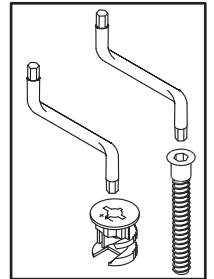
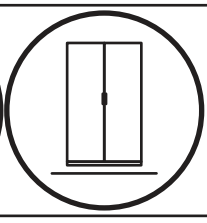
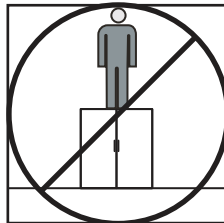
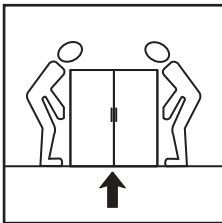
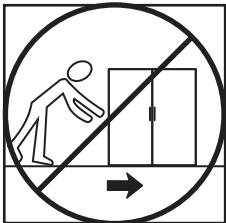
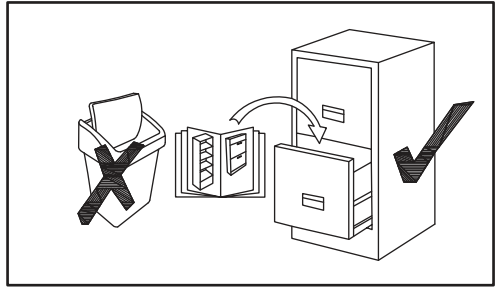
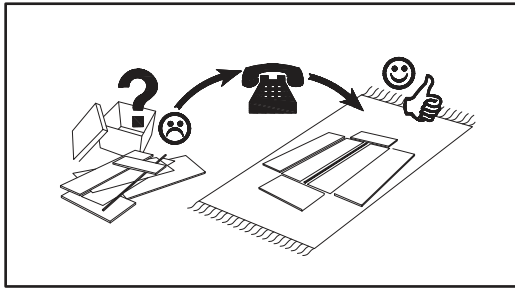
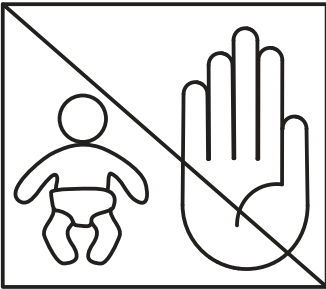
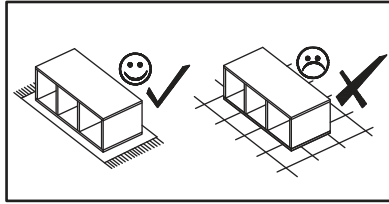
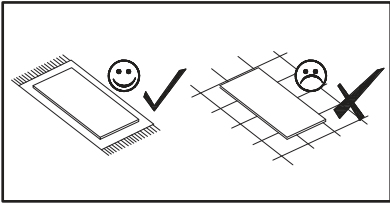
NO	Dim.			Col.-No	Qty
1	494	352	16	1	1
2	494	352	16	1	1
104	538	384	16	1	1
3	538	384	28	1	1
7	494	504	16	1	1
8	494	43	19	1	2
105	536	72	16	1	2
106	350	72	16	1	2
9	446	160	22	1	3
10	300	110	16	1	3
11	300	110	16	1	3
12	410	96	16	1	3
13	304	422	3	1	3
14	348	80	16	1	2



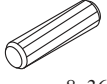
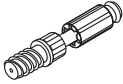
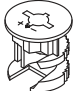



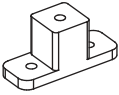
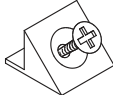



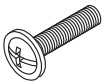
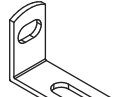
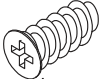




180 min





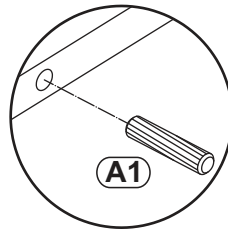
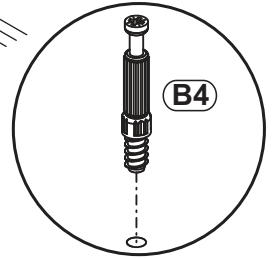
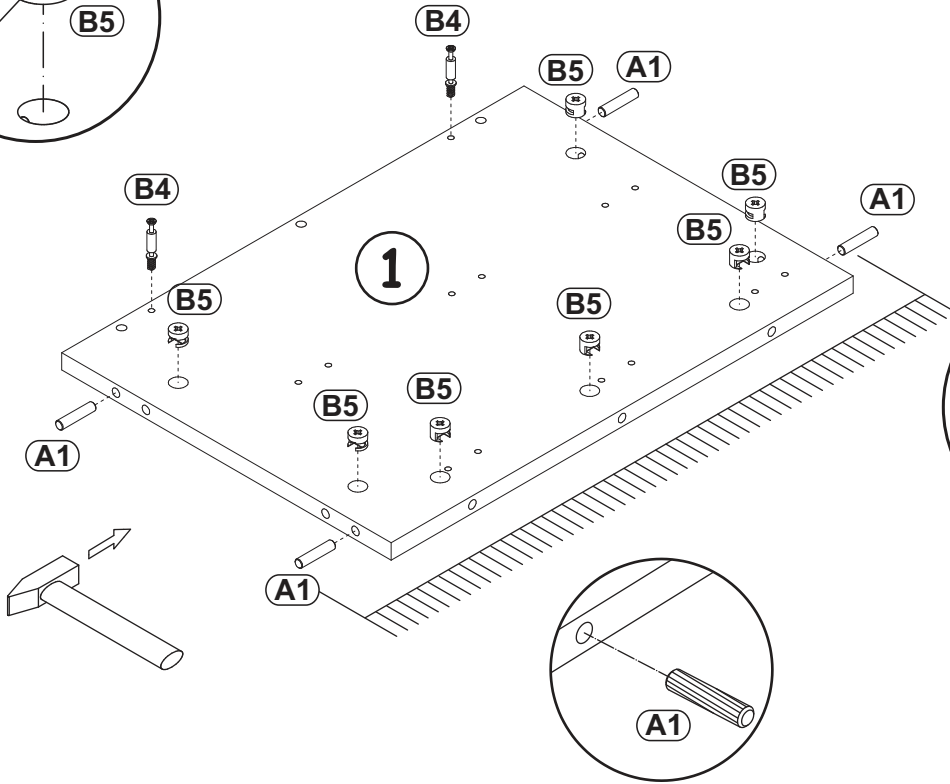
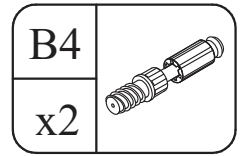
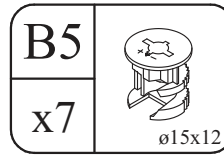
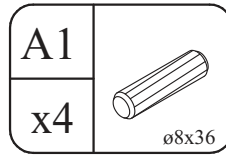
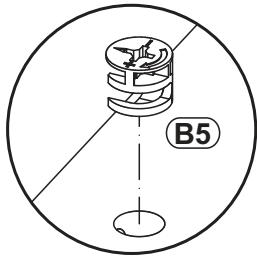


JASMIN 5K 21 -- 16

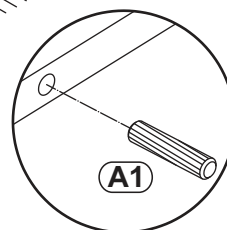
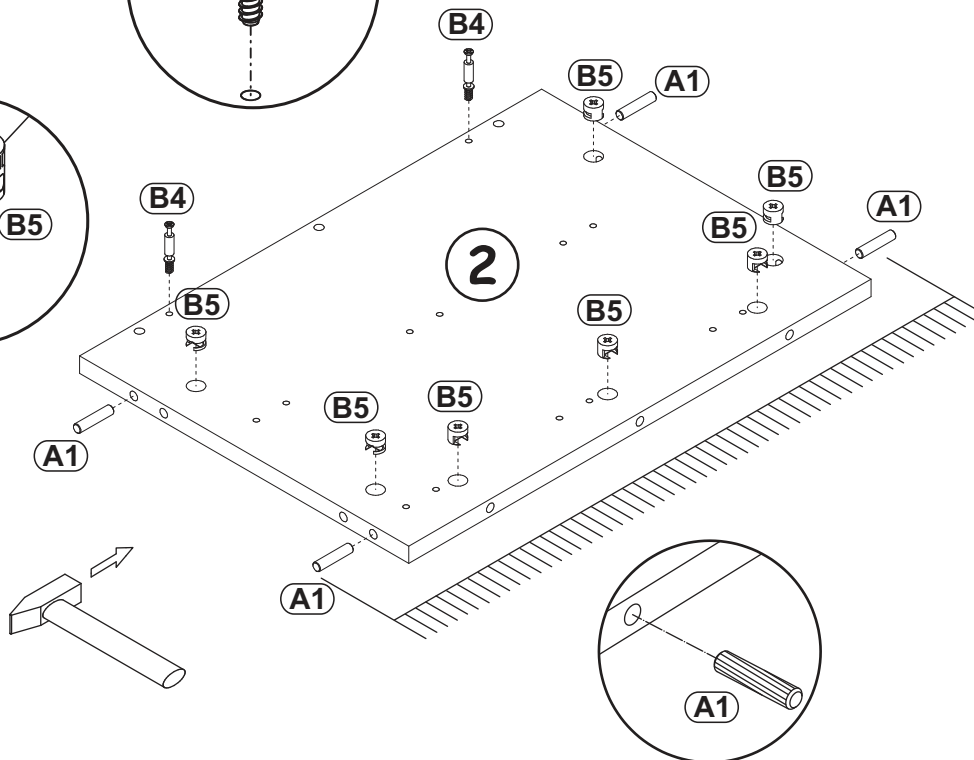
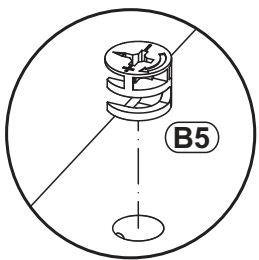
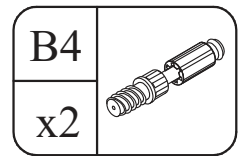
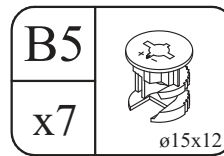
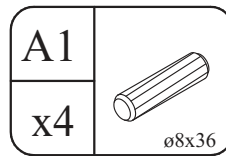
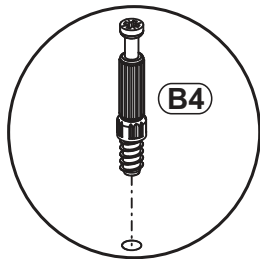
A1 x20  ø8x36	B4 x24 	B5 x24  ø15x12	G5 x24 	B11 x12  Ø7x50	G4 x12 
H1 x12 	S1 x3 	K16 x4  Ø50 H-65	QU x3  L-300	C19 x3 	D16 x6  M4x14
KM5 x8  35x27	D20 x12  ESØ6x9,5	EK6 x40  EKØ6,3x13	UP13 x9  UPØ3x16	UP6 x16  UPØ4x30	G2 x1 

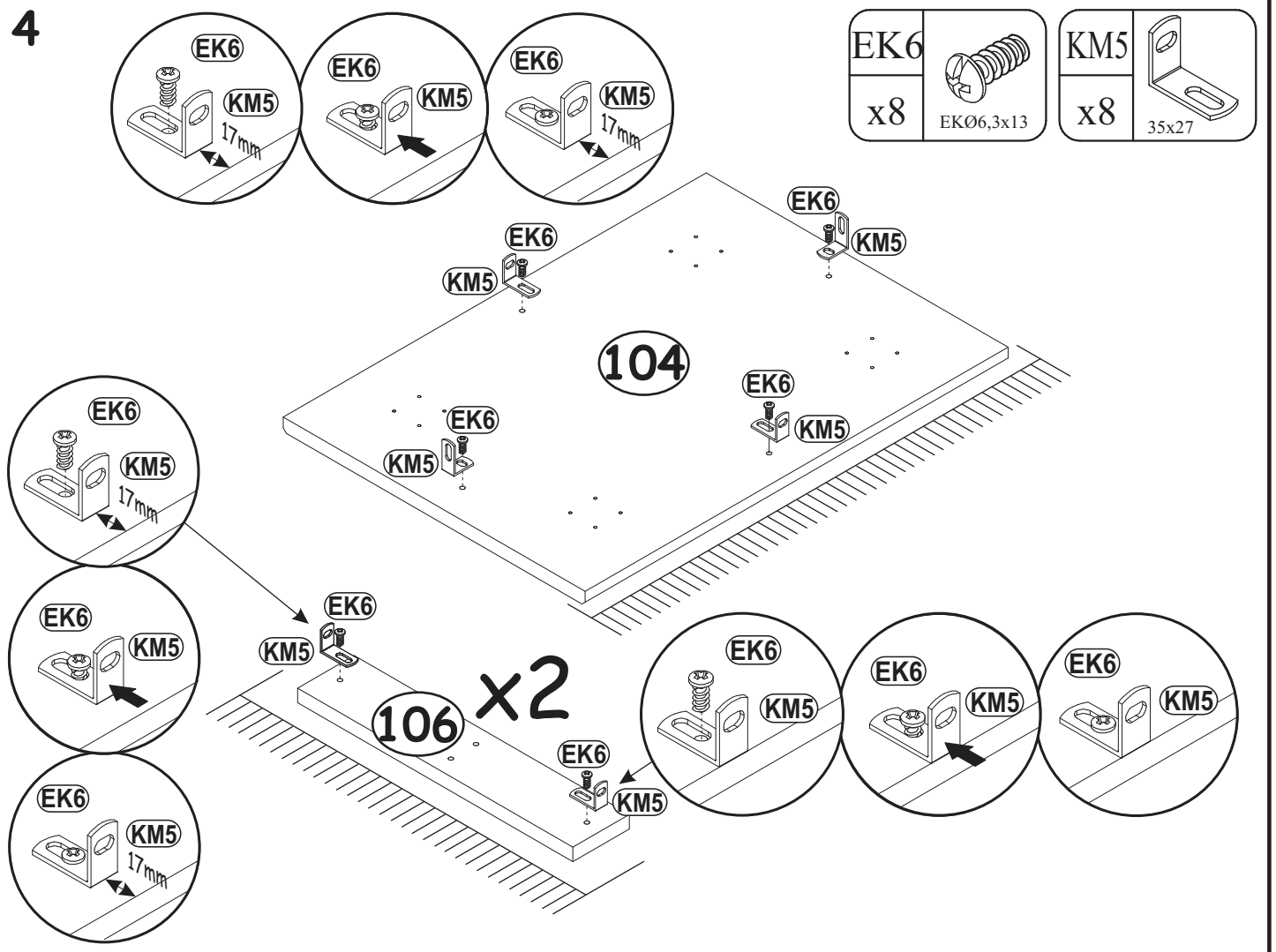
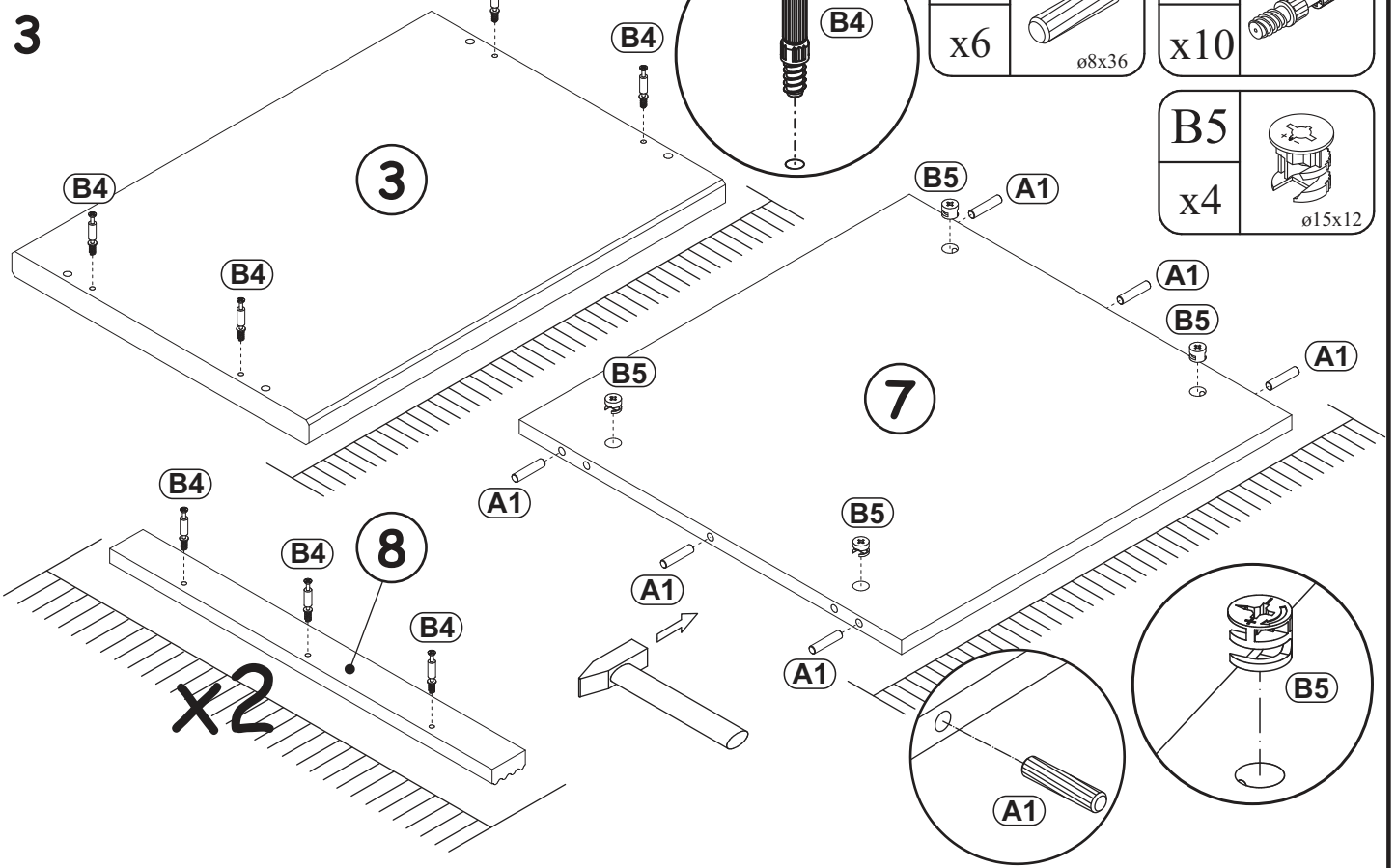


1

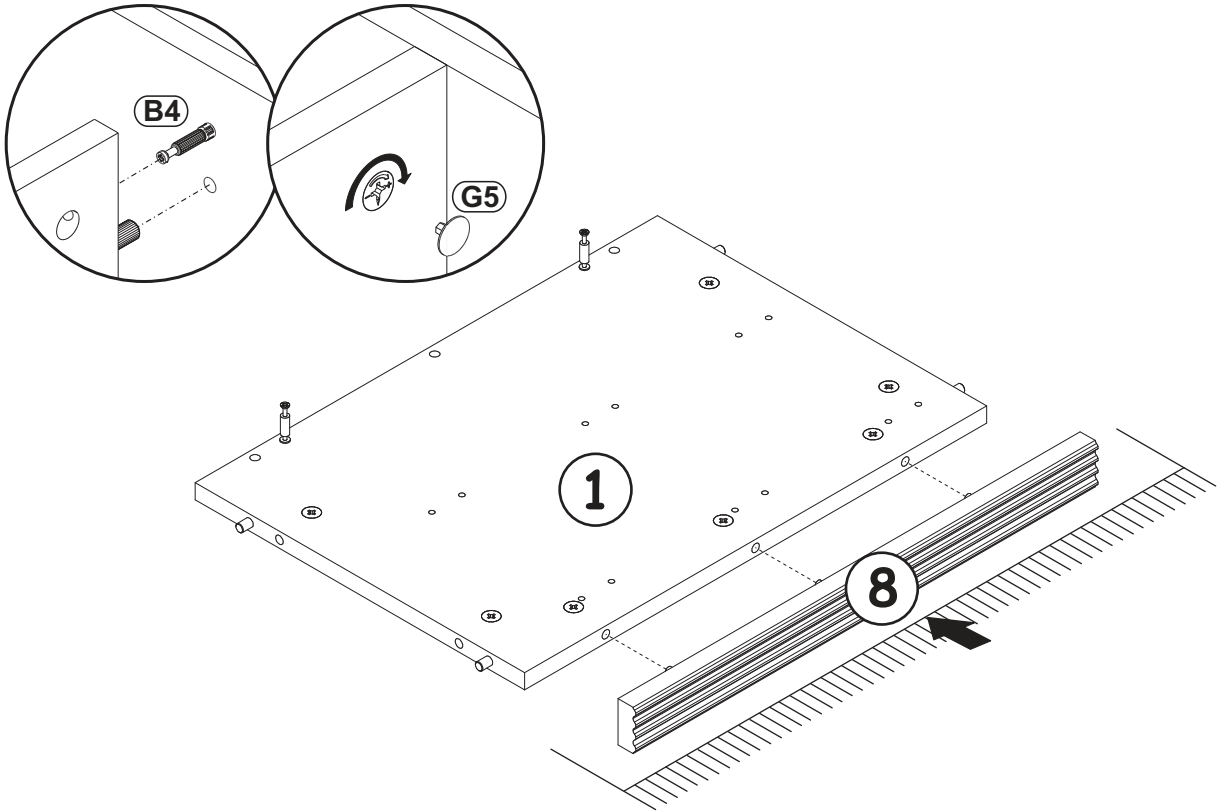


2

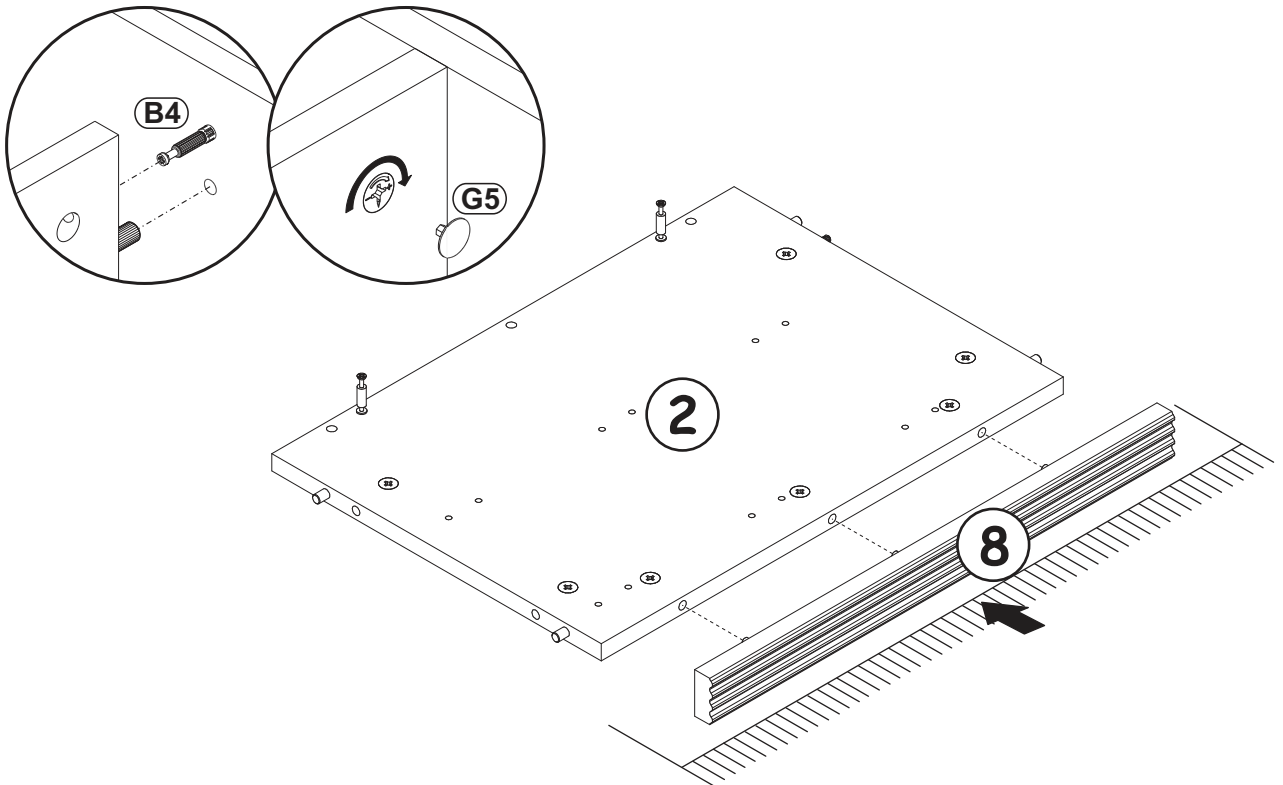


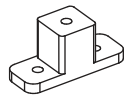
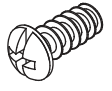


5

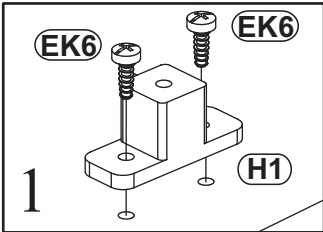
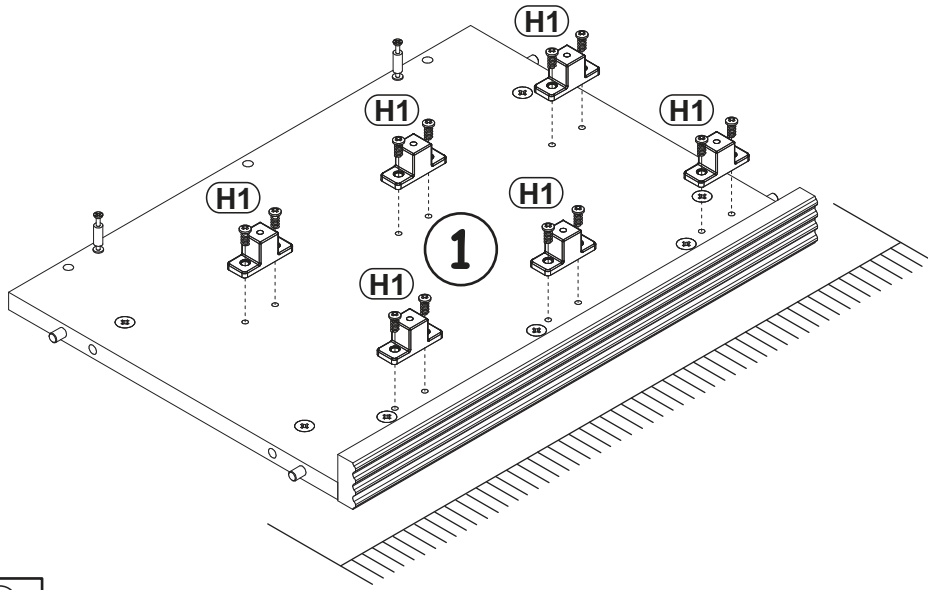


6

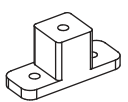
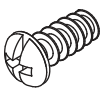


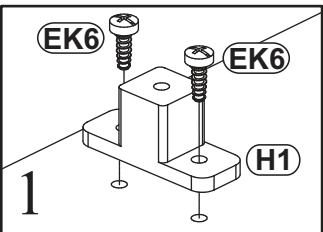
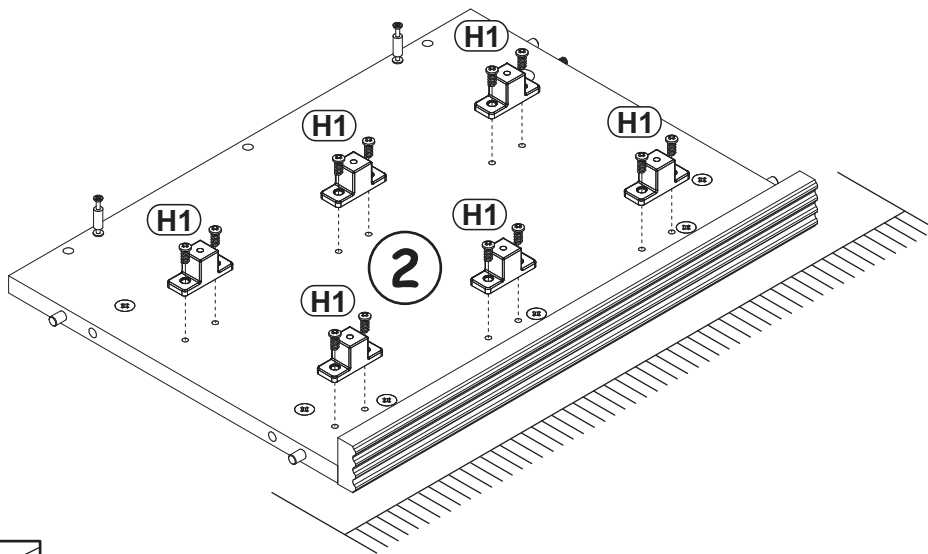
H1		EK6	
x6		x12	

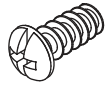
7



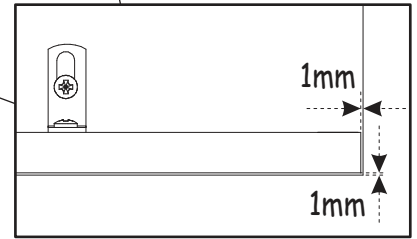
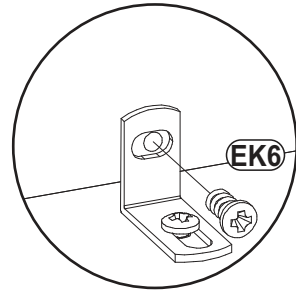
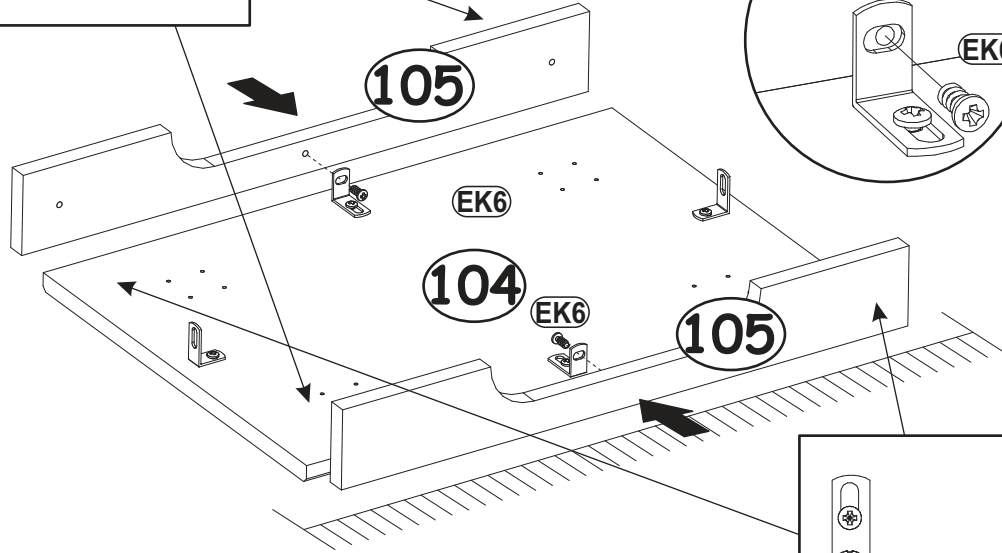
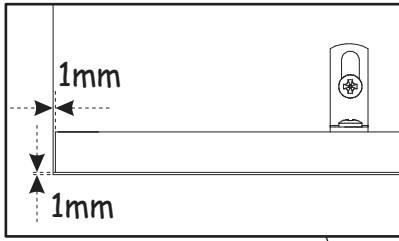
8

H1		EK6	
x6		x12	

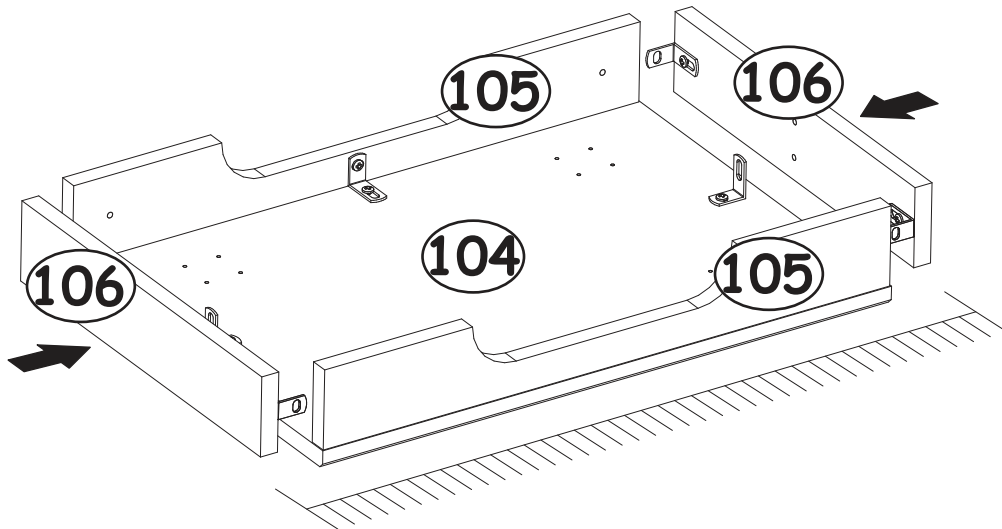


EK6	
x2	EKØ6,3x13

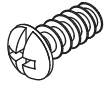
9

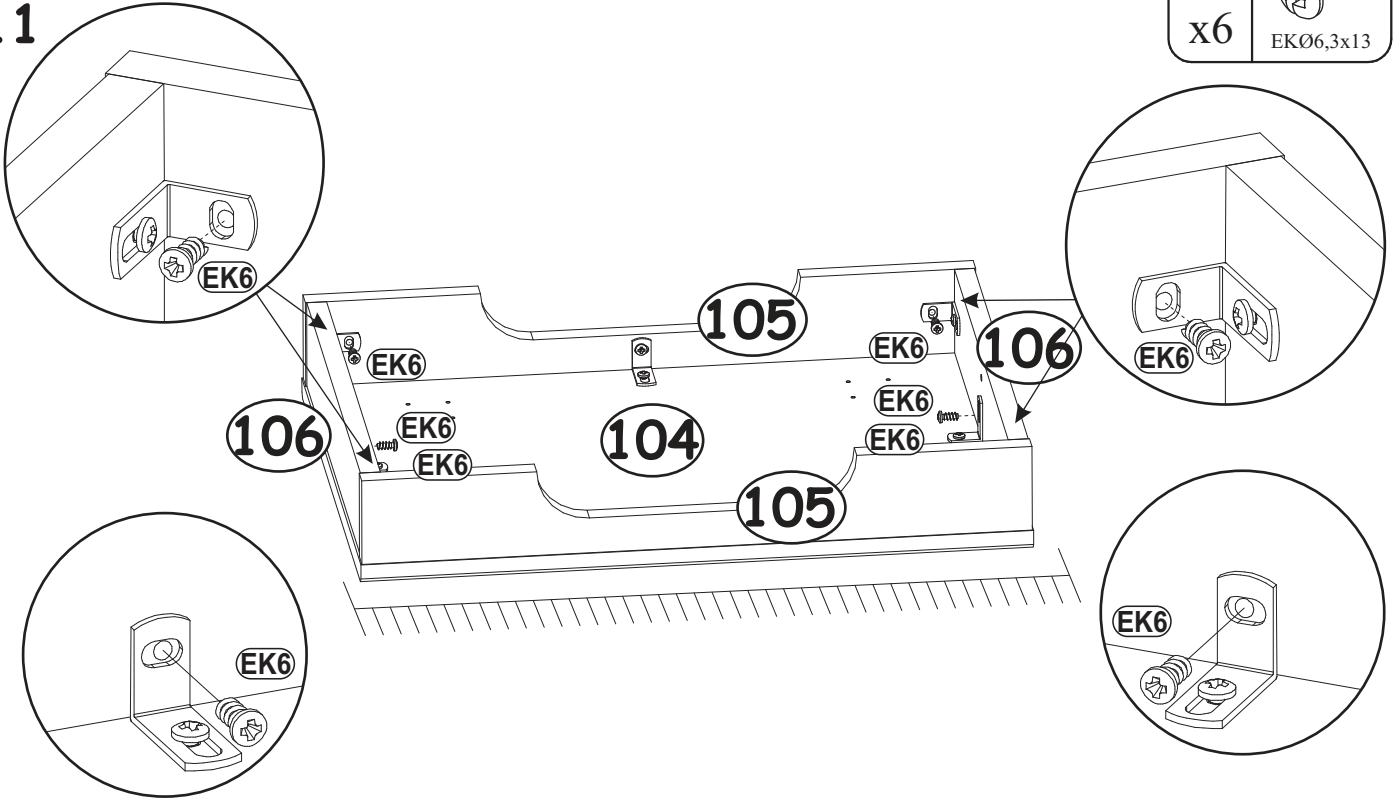


10



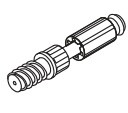
11

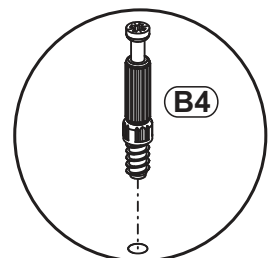
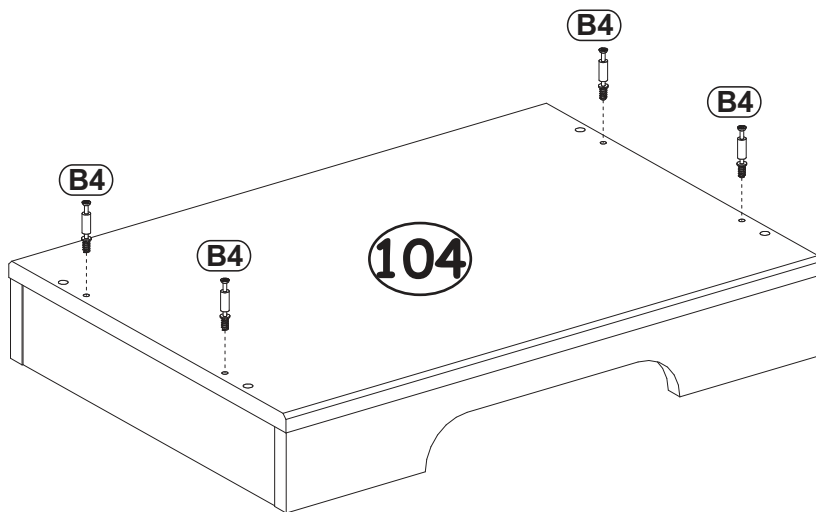
EK6	
x6	EKØ6,3x13



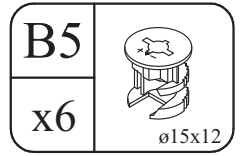
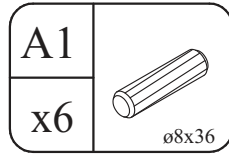
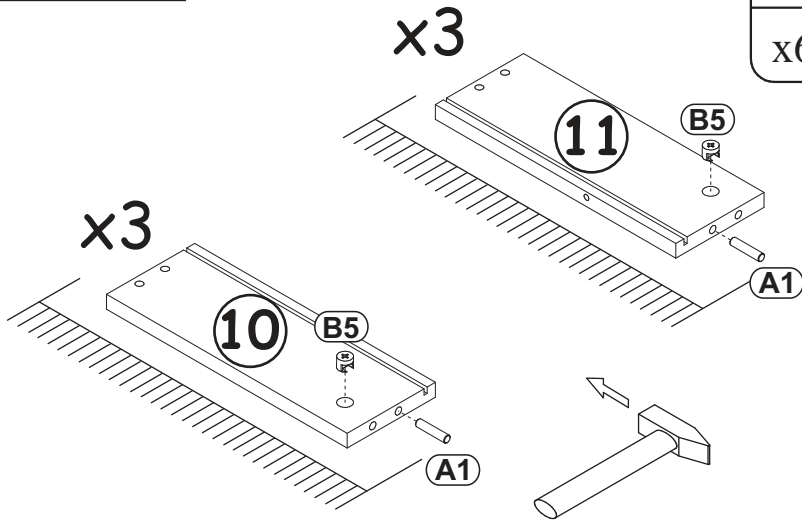
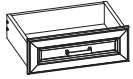
180°

12

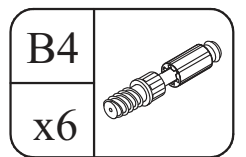
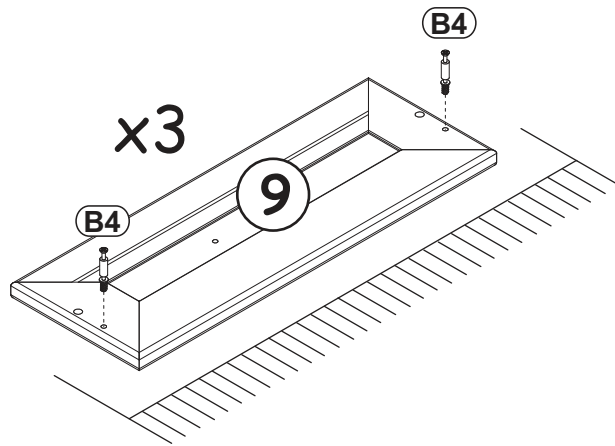
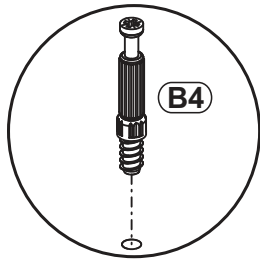
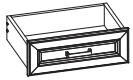
B4	
x4	



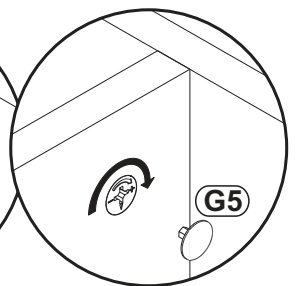
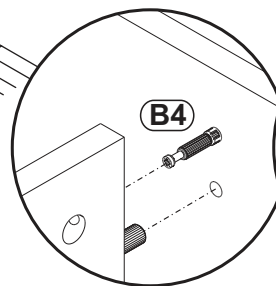
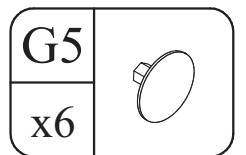
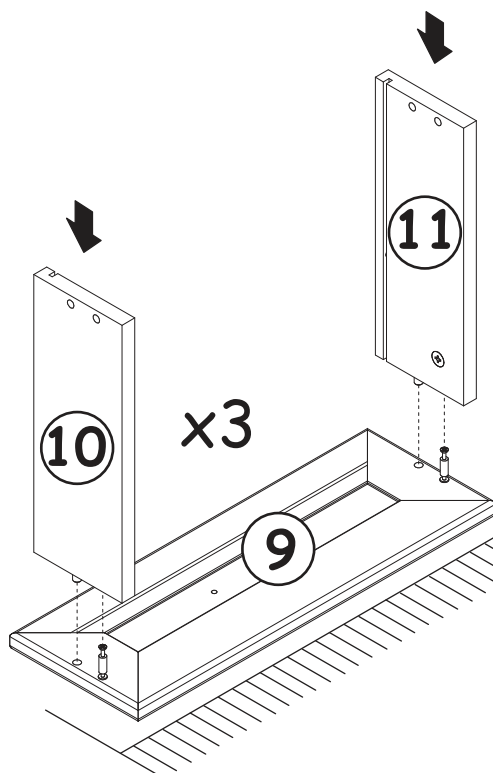
13



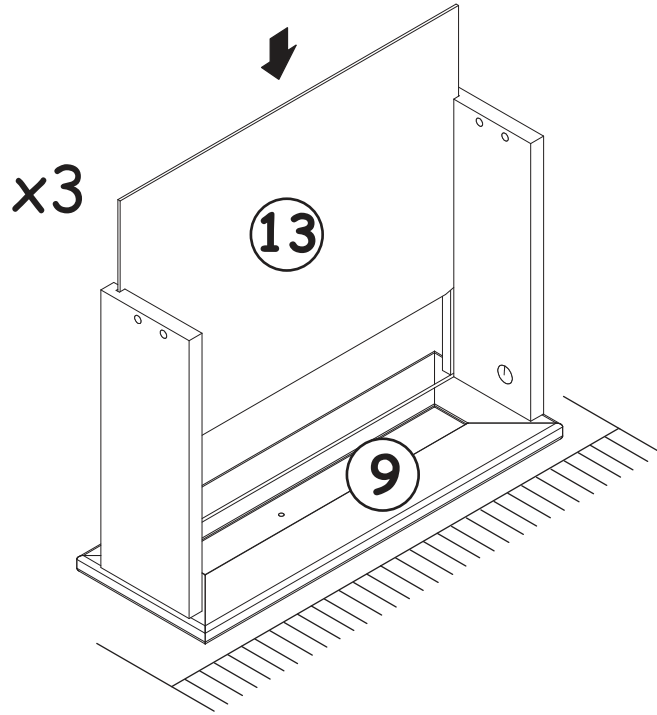
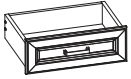
14



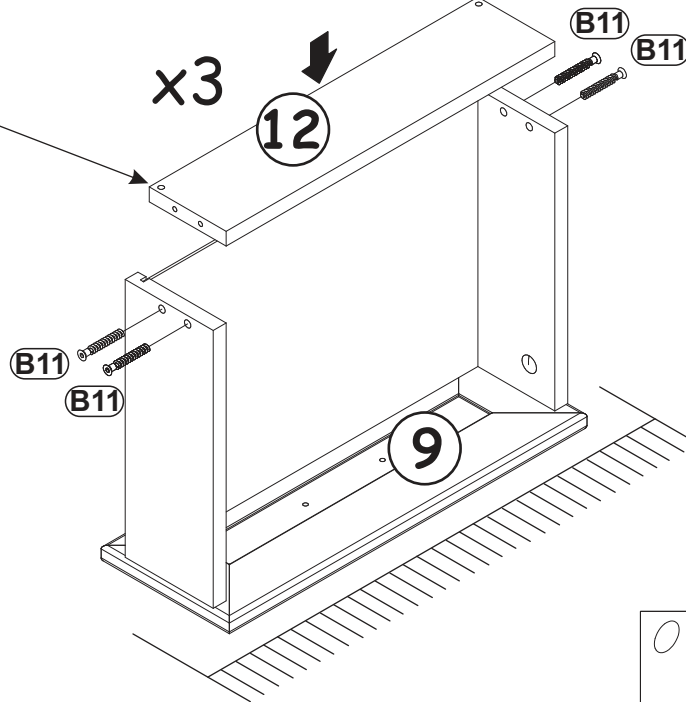
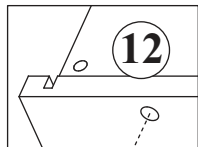
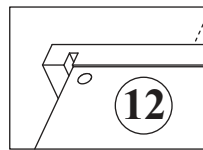
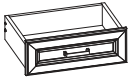
15





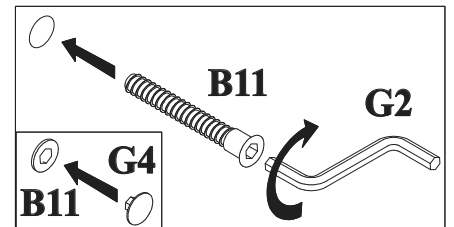
16



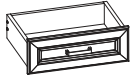
17



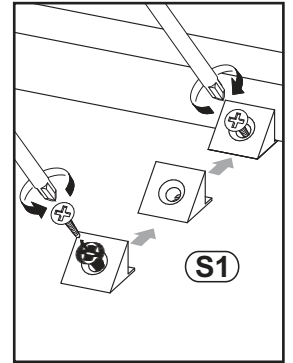
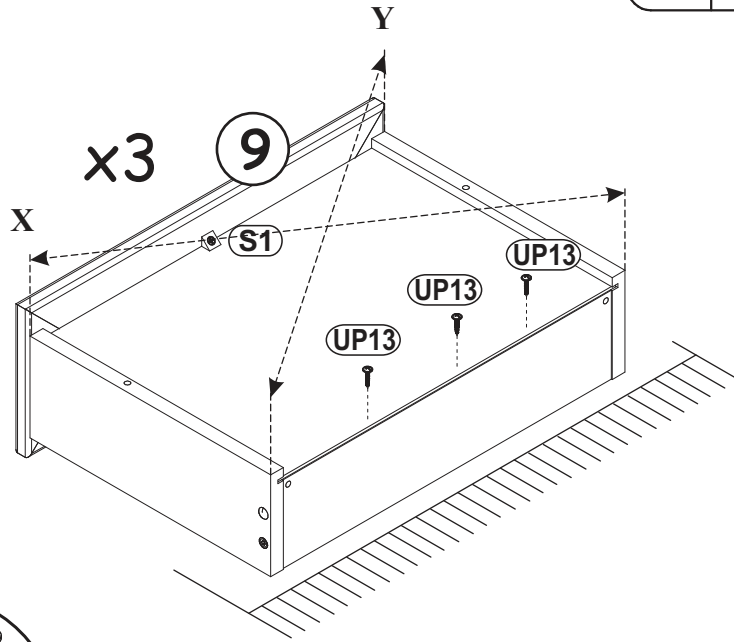
B11		G4	
x12	Ø7x50	x12	



18



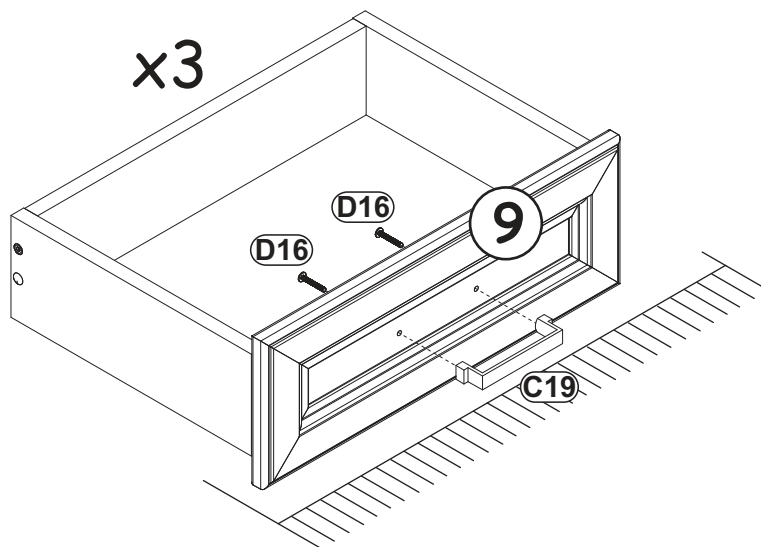
S1		UP13	
x3		x9	UPØ3x16




19

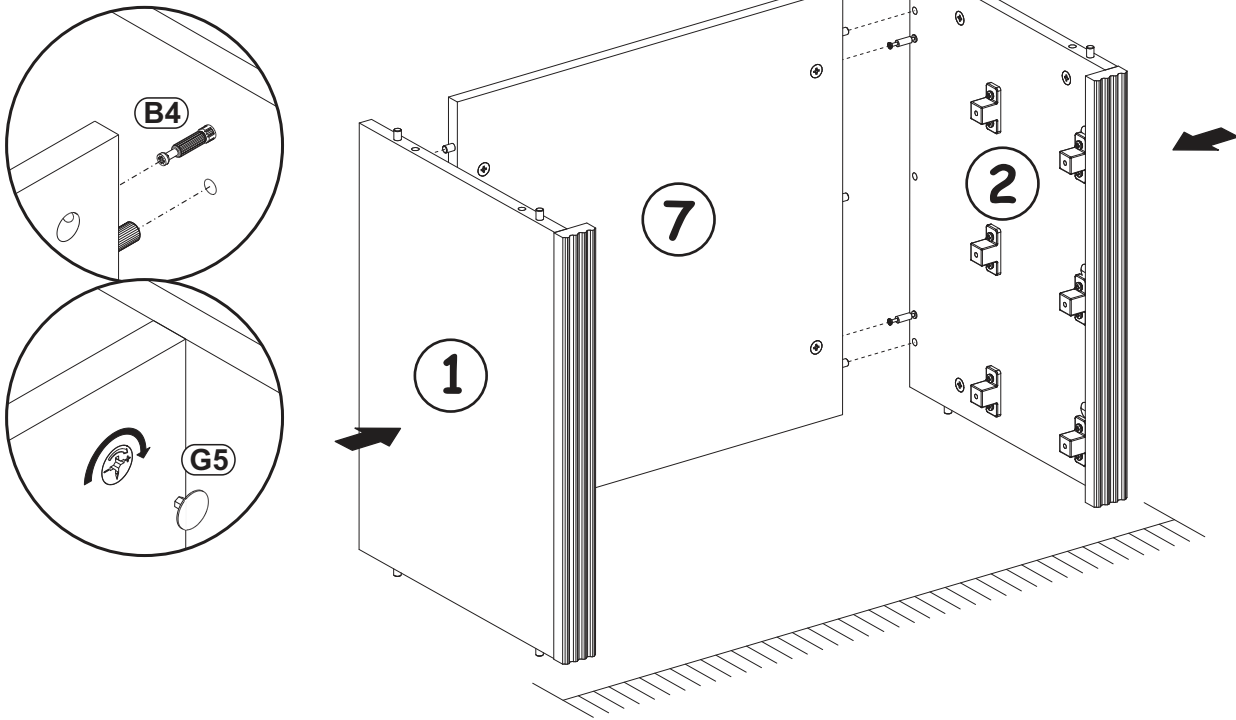


C19		D16	
x3		x6	M4x14




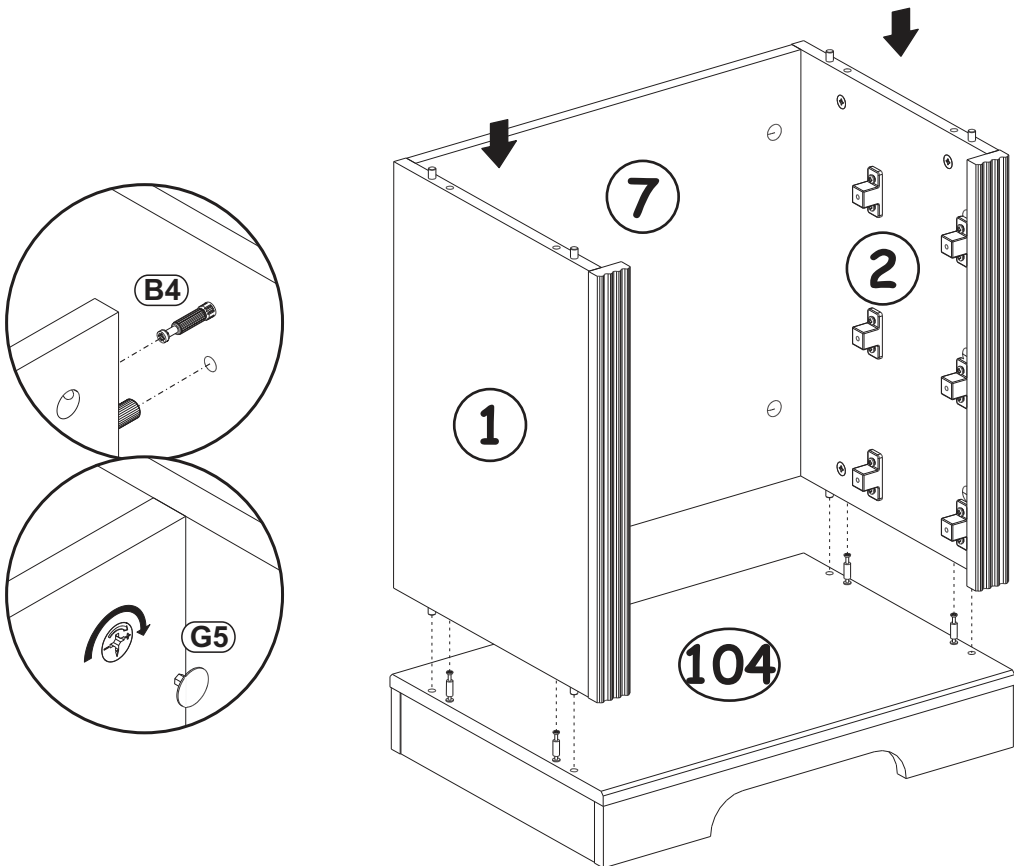
20

G5	
x4	

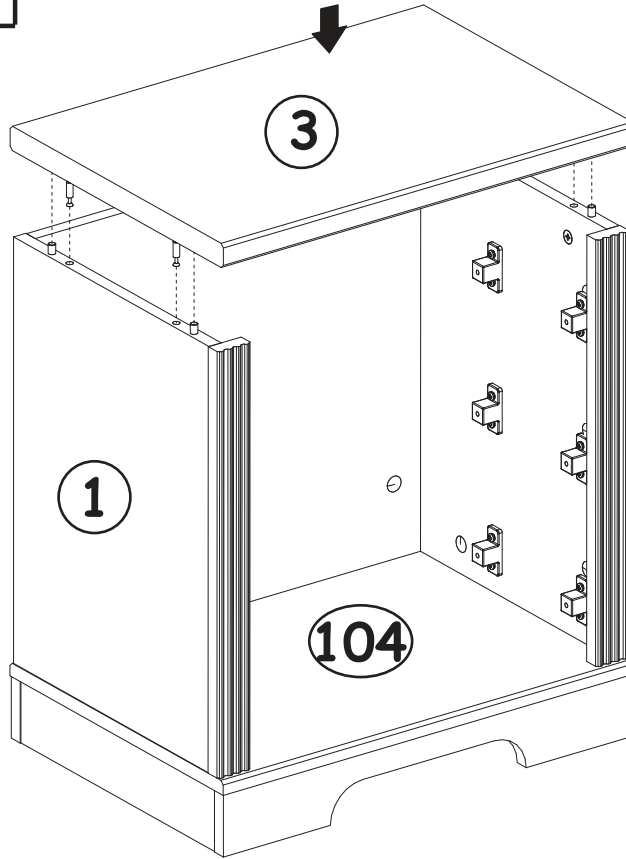
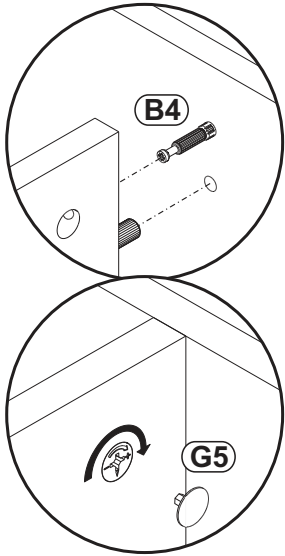


21

G5	
x4	



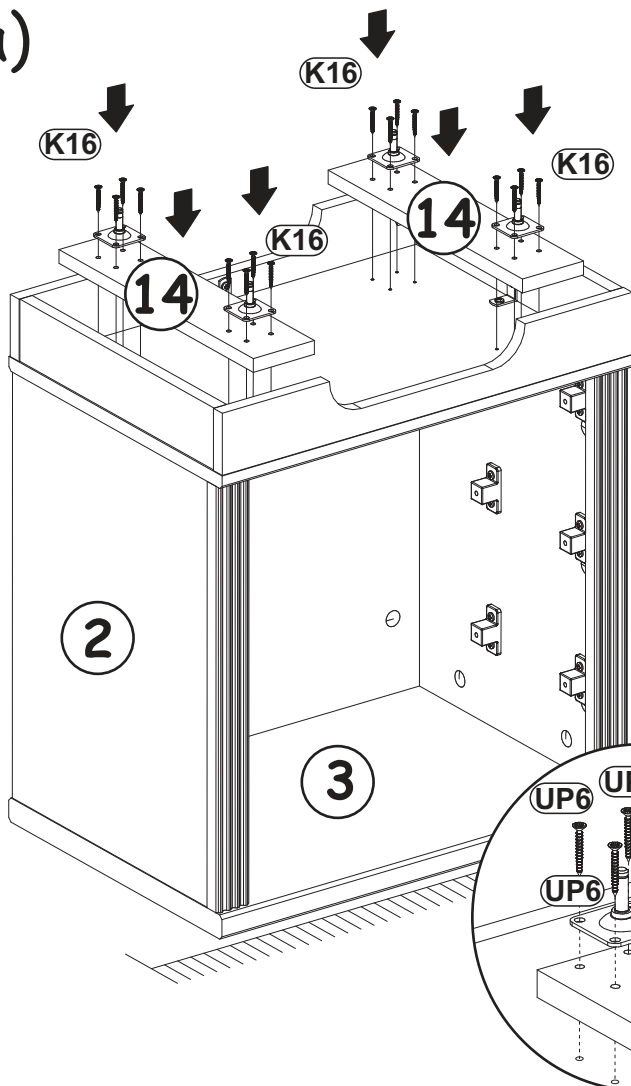
22



G5	
x4	

180°

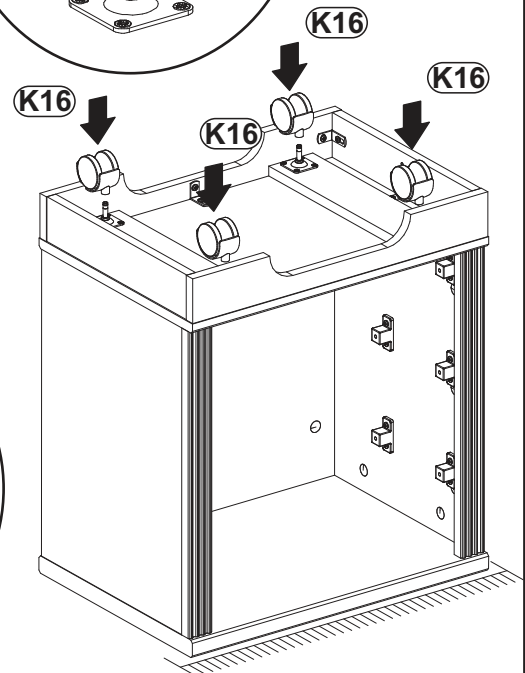
23 a)





UP6	
x16	UPØ4x30

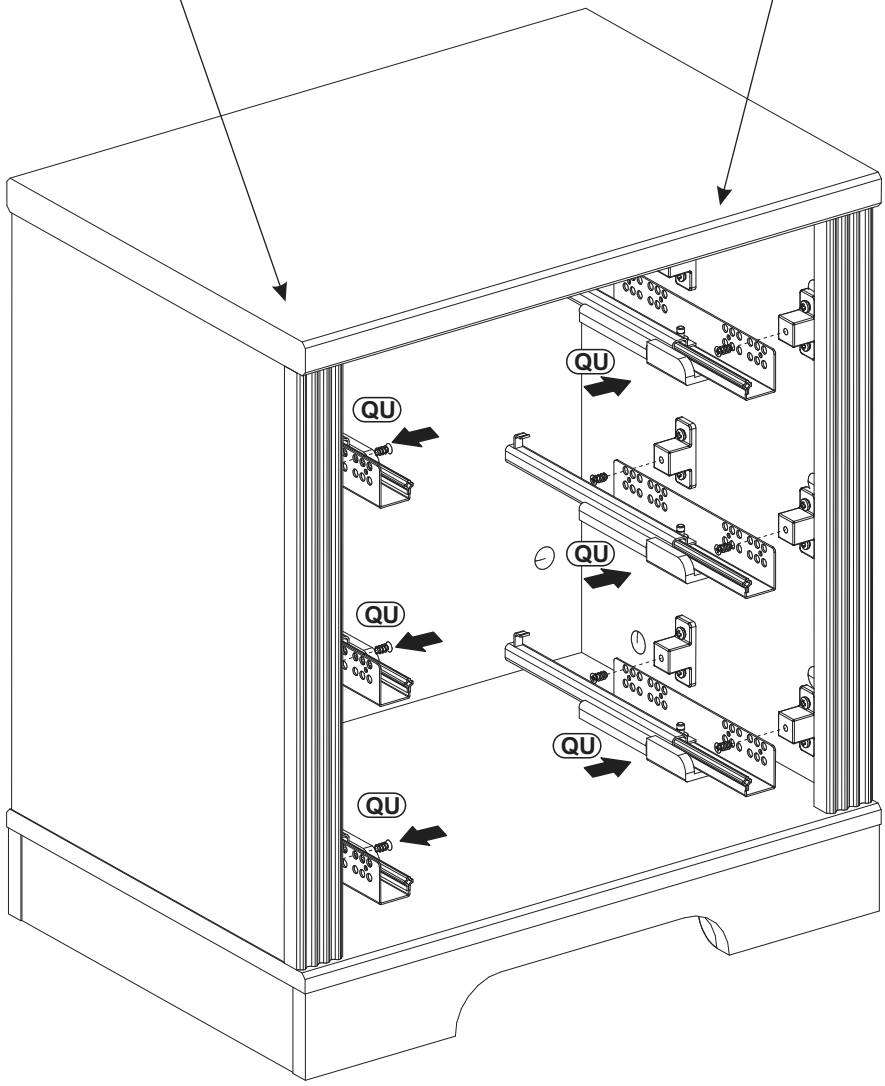
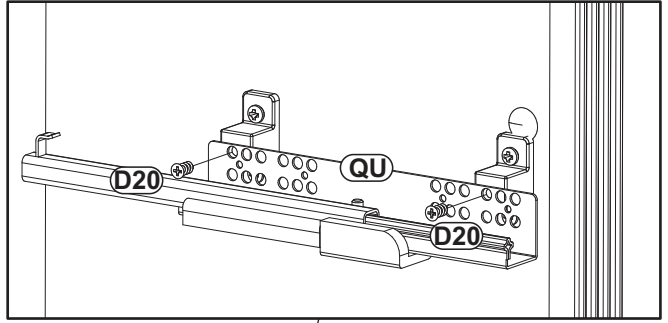
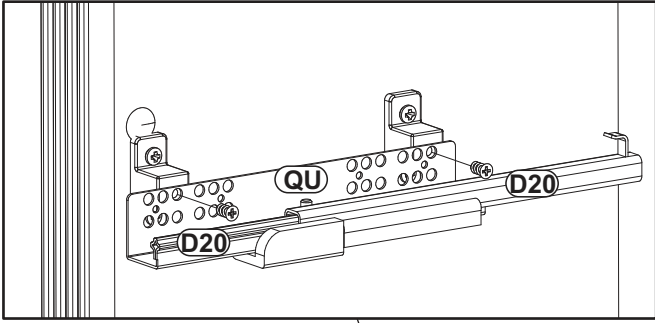
K16	
x4	Ø50 H-65

b)

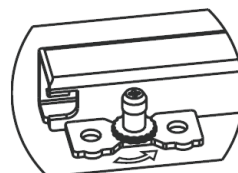
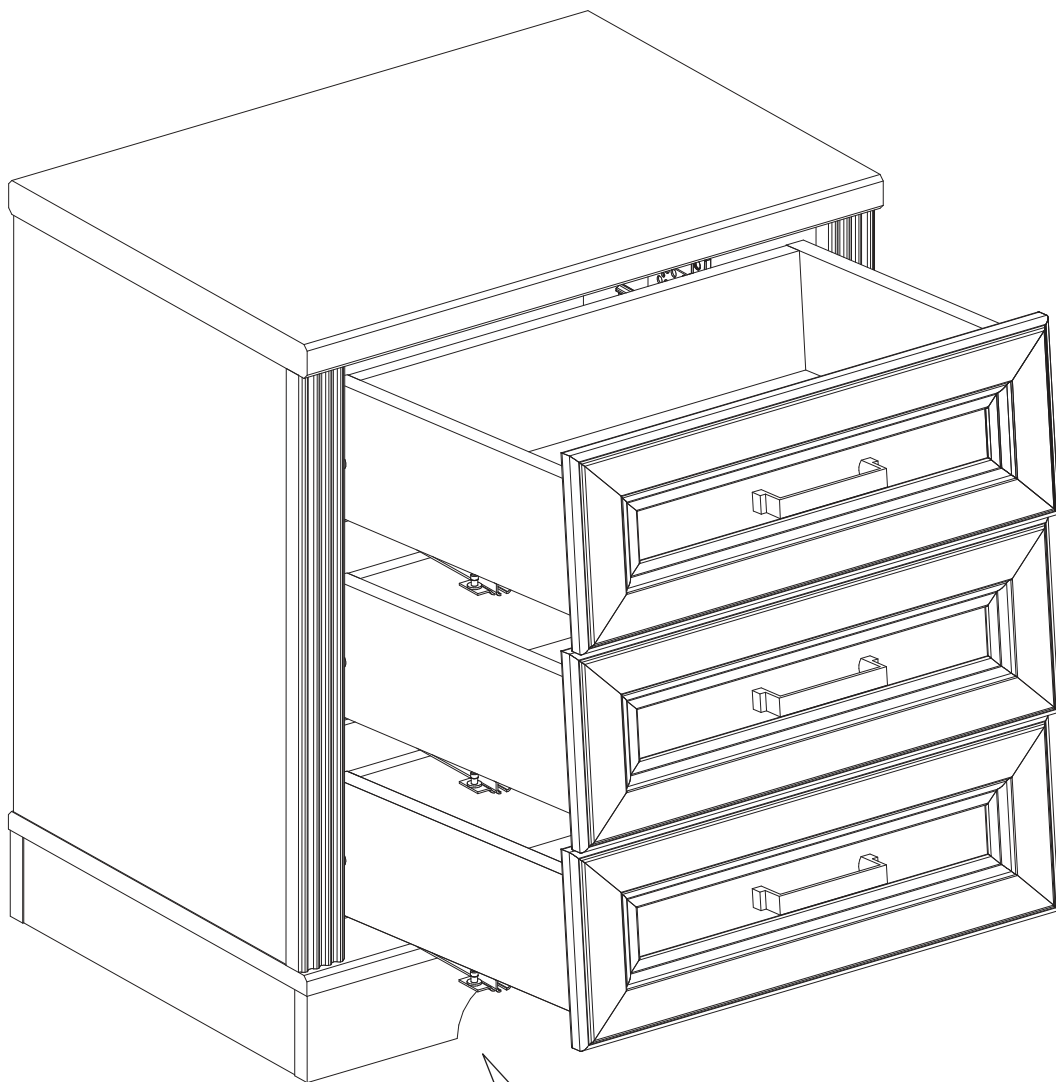
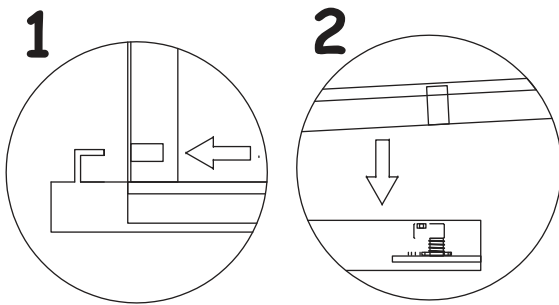


24

QU		D20	
x3	L-300	x12	ESØ6x9,5



25



↑ +4 mm