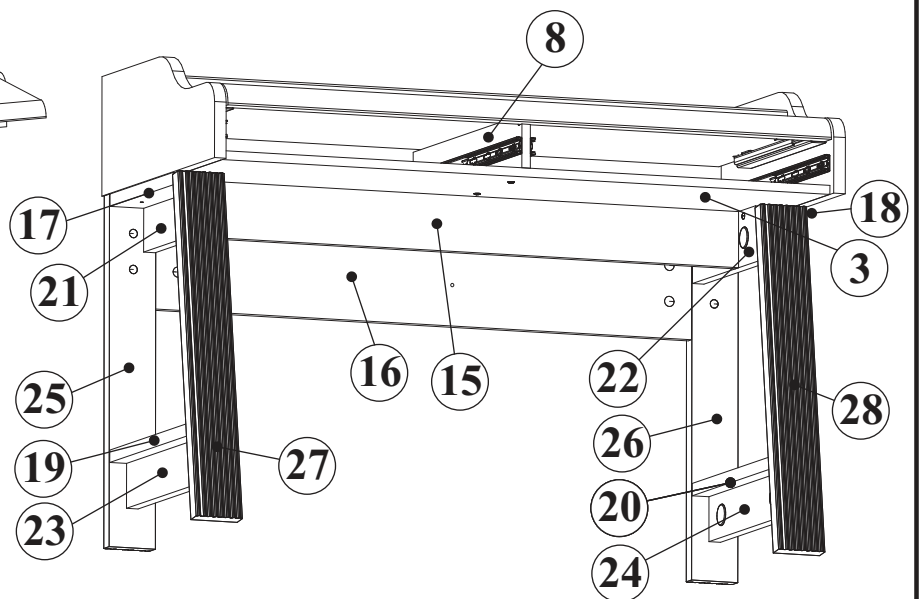
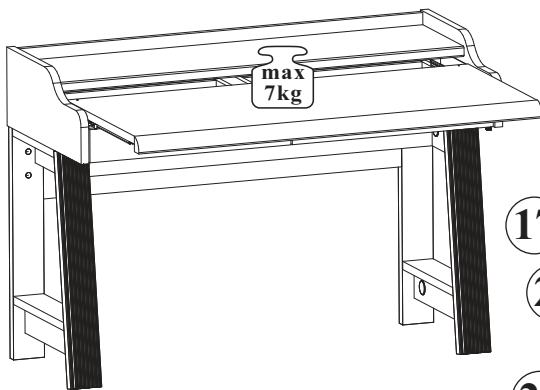
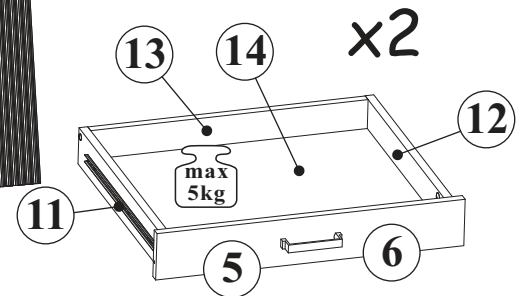
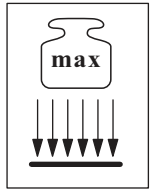
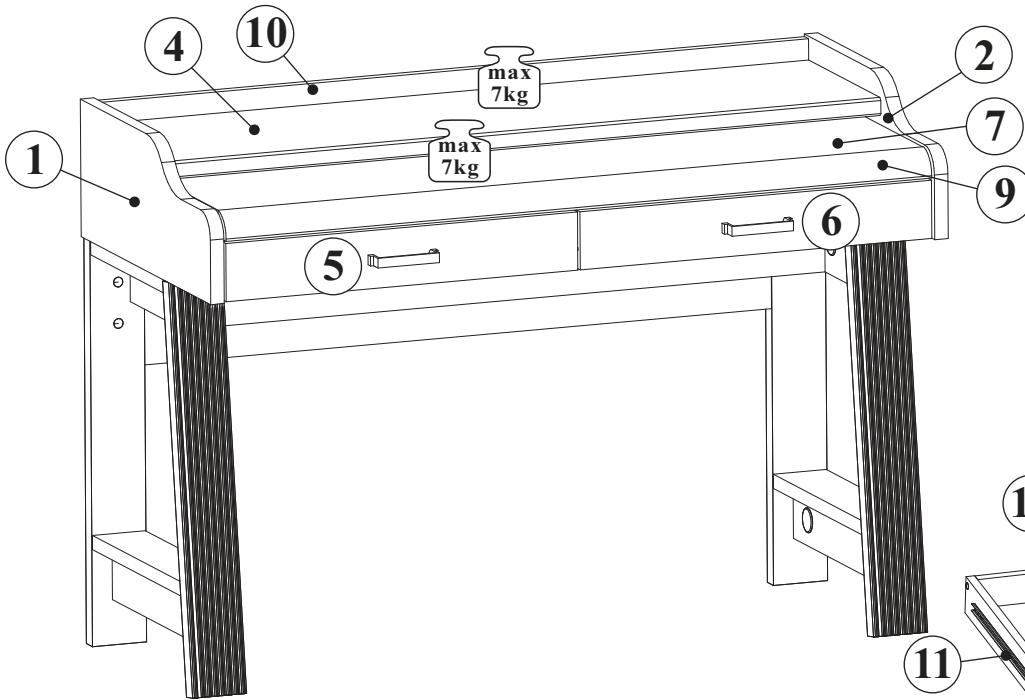
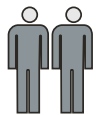


JASMIN 5K 21--25

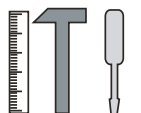


| NO | Dim. | | | Col.-No | Qty |
|----|------|-----|----|---------|-----|
| 1 | 213 | 530 | 22 | 1 | 1 |
| 2 | 213 | 530 | 22 | 1 | 1 |
| 3 | 1156 | 512 | 16 | 2 | 1 |
| 4 | 1156 | 295 | 28 | 1 | 1 |
| 5 | 572 | 90 | 16 | 1 | 1 |
| 6 | 572 | 90 | 16 | 1/ | 1 |
| 7 | 1146 | 495 | 22 | 2 | 1 |
| 8 | 94 | 512 | 16 | 1 | 1 |
| 9 | 1148 | 42 | 32 | 2 | 1 |
| 10 | 1156 | 62 | 16 | 2 | 1 |
| 11 | 450 | 70 | 16 | 1 | 2 |
| 12 | 450 | 70 | 16 | 1 | 2 |
| 13 | 517 | 56 | 16 | 1 | 2 |
| 14 | 529 | 453 | 3 | 2 | 2 |

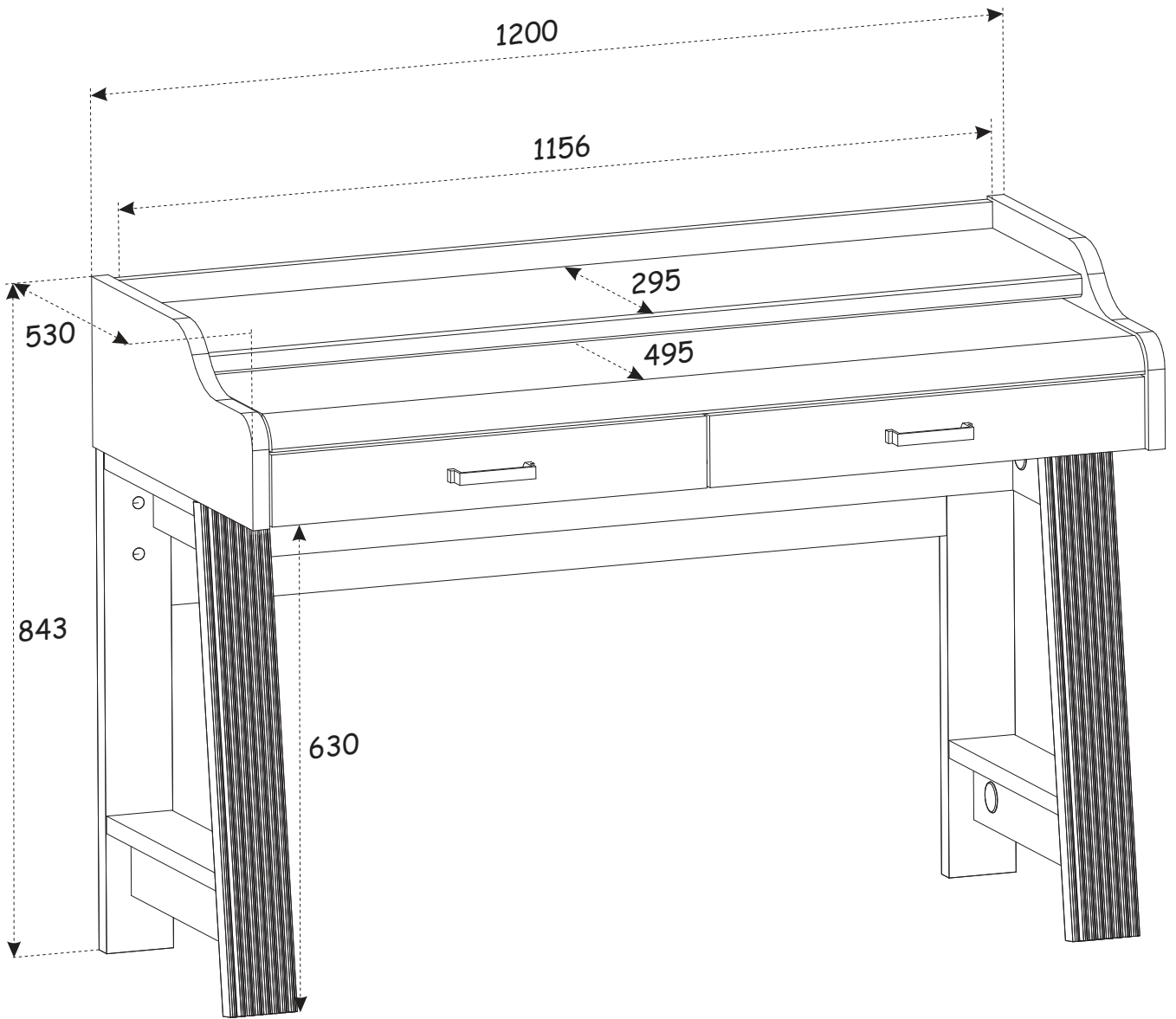
| NO | Dim. | | | Col.-No | Qty |
|----|------|-----|----|---------|-----|
| 15 | 1022 | 100 | 16 | 2 | 1 |
| 16 | 1020 | 200 | 16 | 2 | 1 |
| 17 | 300 | 64 | 22 | 1 | 1 |
| 18 | 300 | 64 | 22 | 1 | 1 |
| 19 | 363 | 86 | 22 | 1 | 1 |
| 20 | 363 | 86 | 22 | 1 | 1 |
| 21 | 311 | 100 | 22 | 1 | 1 |
| 22 | 311 | 100 | 22 | 1 | 1 |
| 23 | 374 | 80 | 22 | 1 | 1 |
| 24 | 374 | 80 | 22 | 1 | 1 |
| 25 | 628 | 88 | 28 | 1 | 1 |
| 26 | 628 | 88 | 28 | 1 | 1 |
| 27 | 638 | 88 | 28 | 1 | 1 |
| 28 | 638 | 88 | 28 | 1 | 1 |



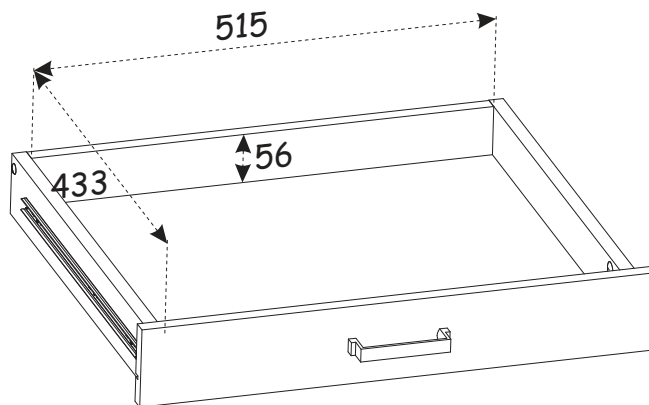
180 min

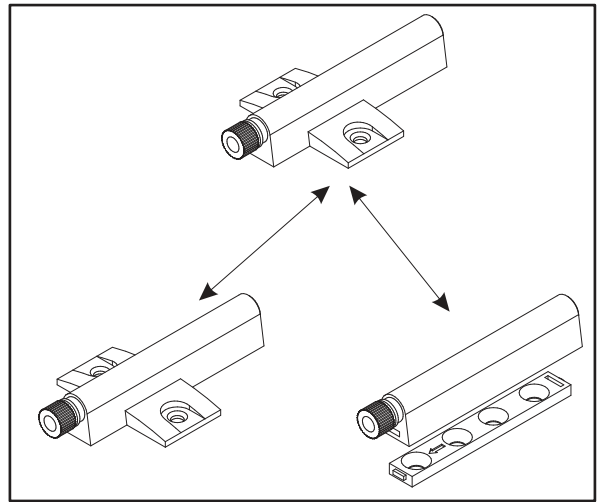
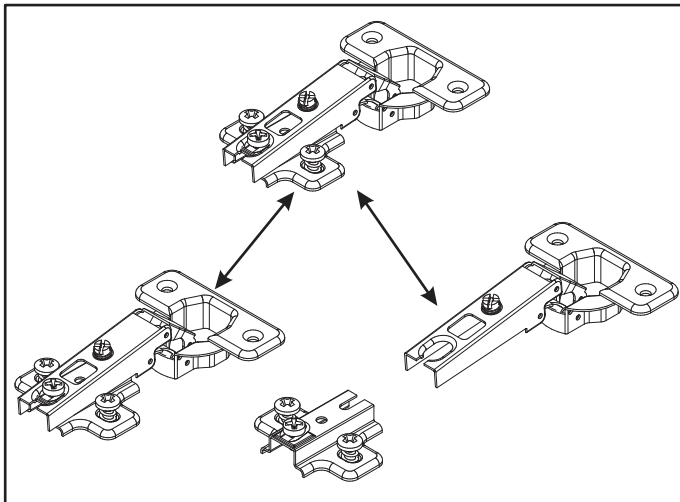
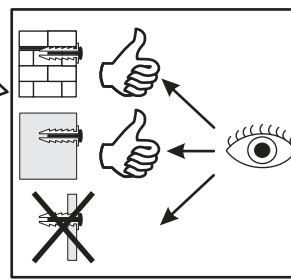
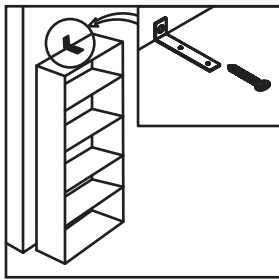
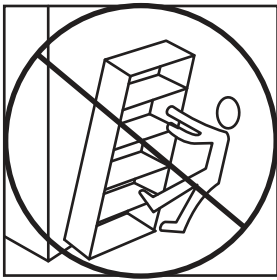
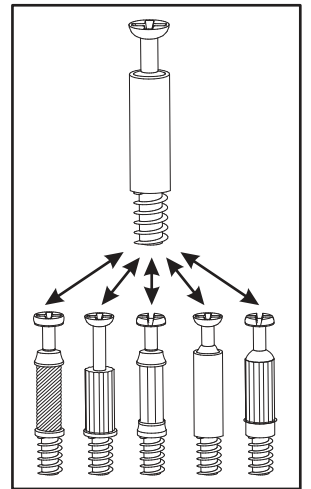
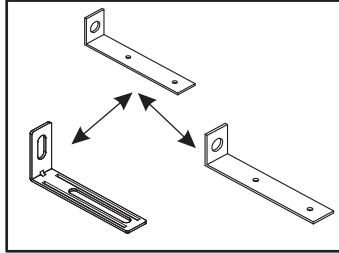
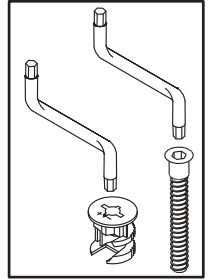
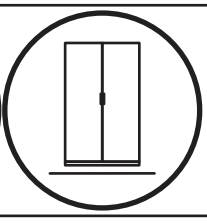
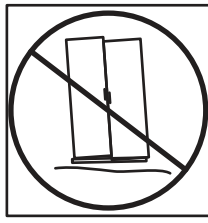
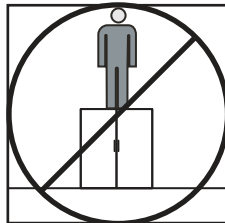
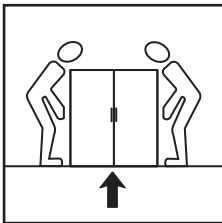
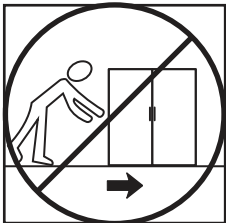
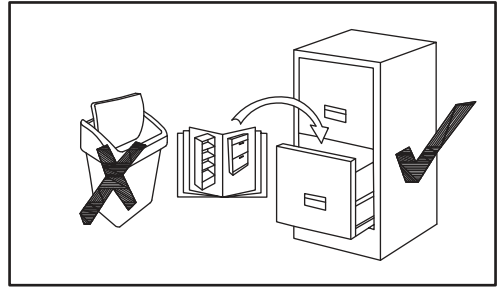
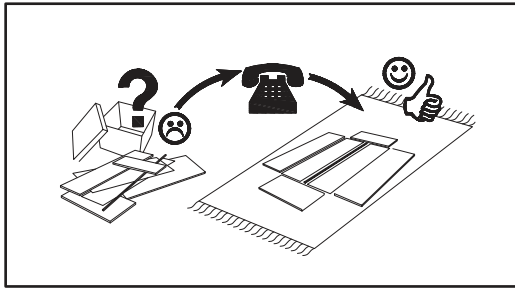
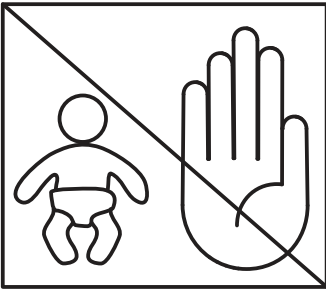
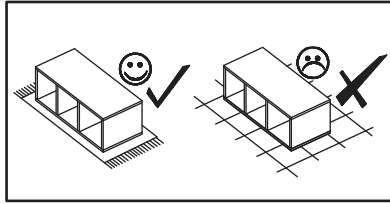
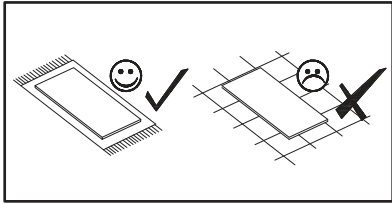


JASMIN 5K 21 -- 25



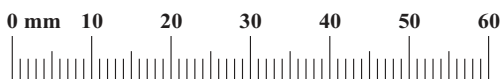
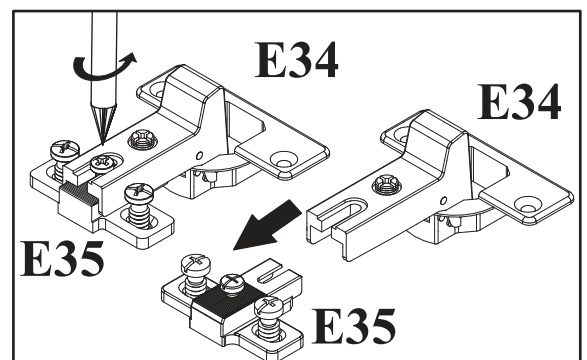
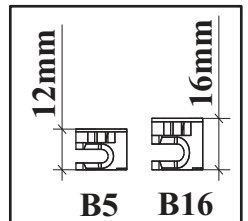
x2



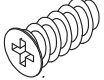


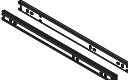
JASMIN 5K 21 -- 25

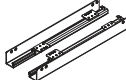
| | | | | | |
|-----------------------|-----------------------|-----------------------|-------------------------|-------------------------|--------------------|
| A1 x66 ø8x36 | B4 x26 | B6 x4 Ø7x76 | B5 x22 Ø15x12 | B16 x12 Ø15x16 | G5 x34 |
| B11 x15 Ø7x50 | G4 x15 | QP x1 L-350mm | H13 x2 L-400mm. | D20 x4 ESØ6,3x9,5 | S1 x4 |
| UP13 x8 UPØ3x16 | UP11 x4 UPØ4x20 | UP16 x4 UPØ4x35 | D10 x24 USØ3,5x13 | C19 x2 | D26 x4 M4x22 |
| GN x8 Ø40 | I2 x4 | ML x8 | G23 x1 | G22 x1 ø 8mm | BM x2 |
| G12 x1 Ø14 | KR1 x1 Ø8 | G2 x1 | | | |

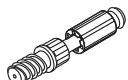



1

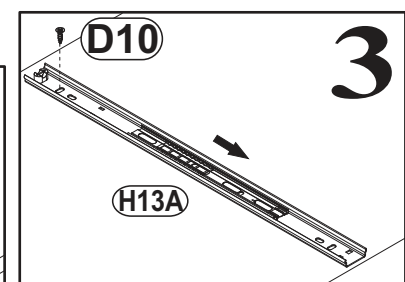
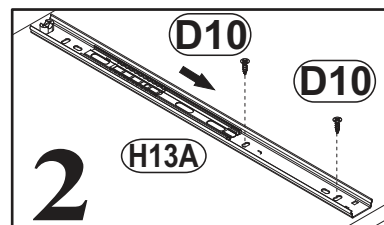
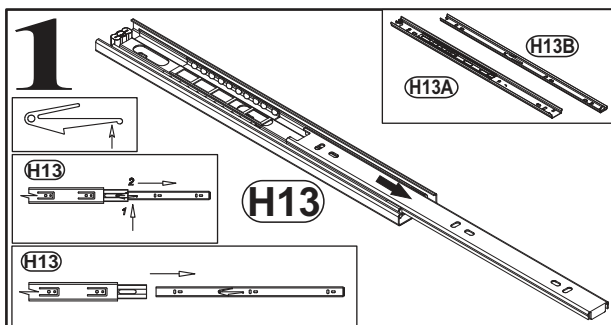
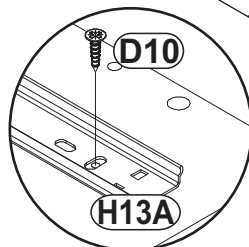
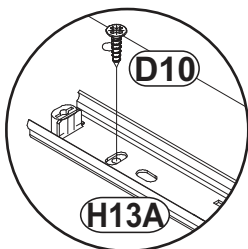
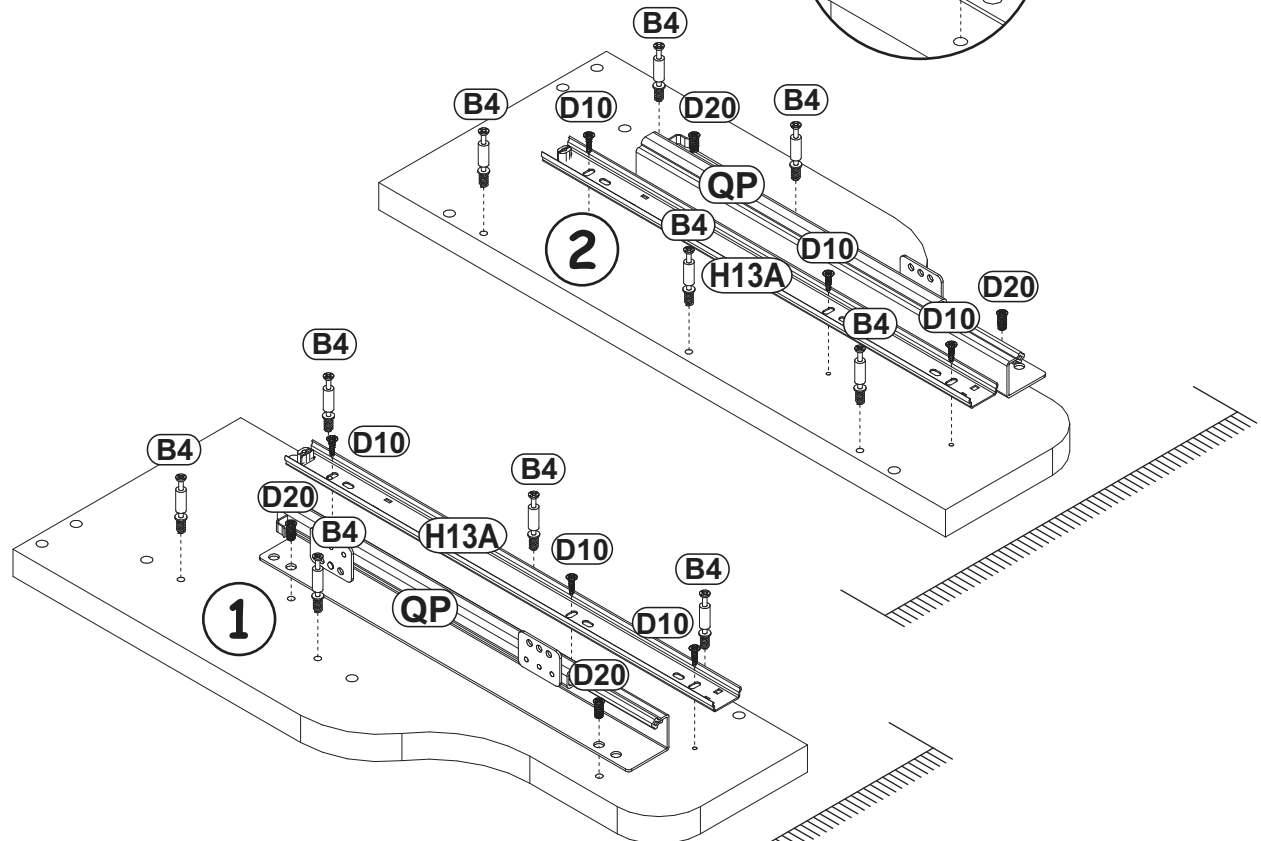
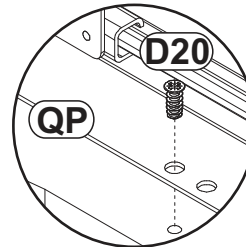
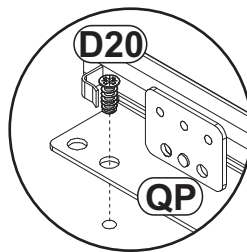
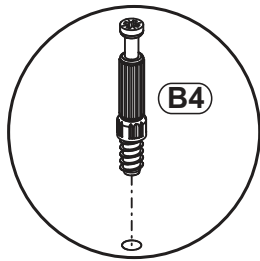
| | |
|-----|---|
| D20 |  |
| x4 | ESØ6,3x9,5 |

| | |
|-----|--|
| H13 |  |
| x1 | L-400mm. |

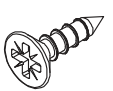

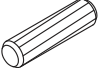
| | |
|----|---|
| QP |  |
| x1 | L-350mm |

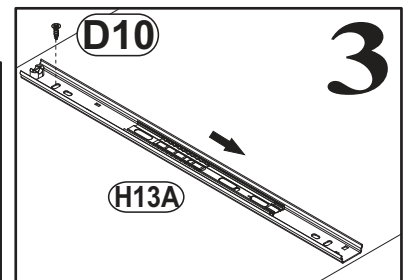
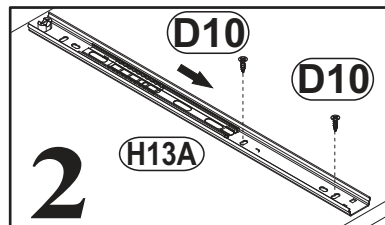
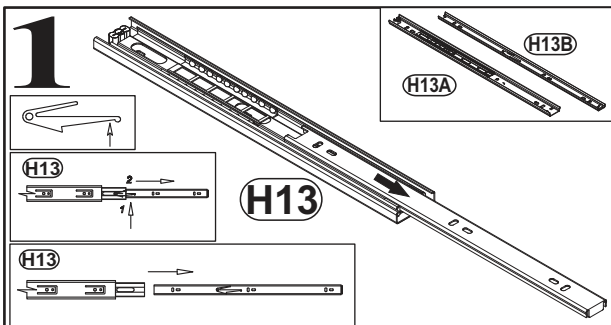
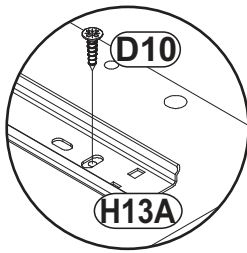
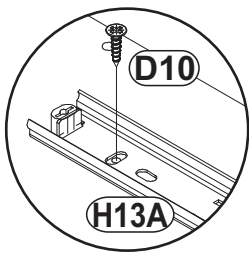
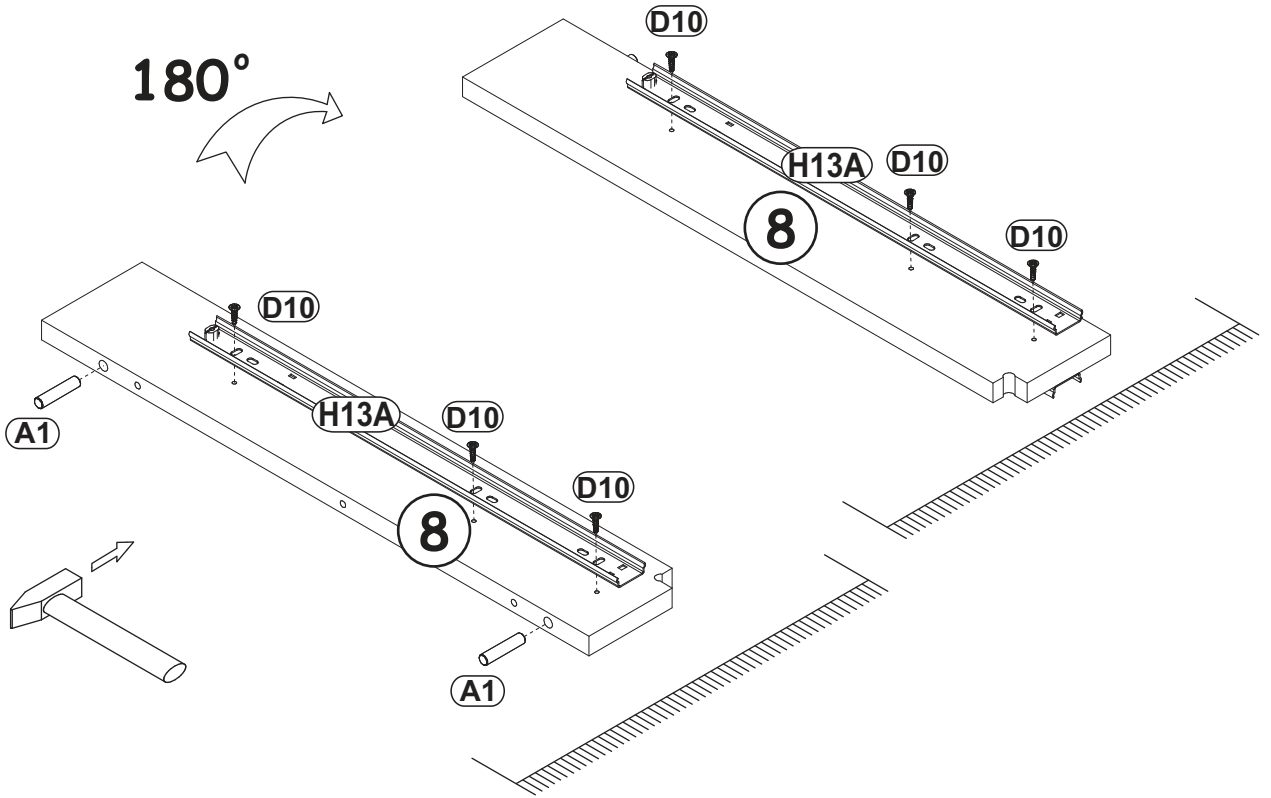
| | |
|-----|---|
| B4 |  |
| x10 | |

| | |
|-----|---|
| D10 |  |
| x6 | USØ3,5x13 |


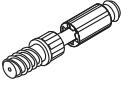


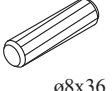
2

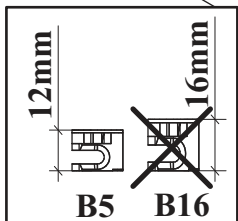
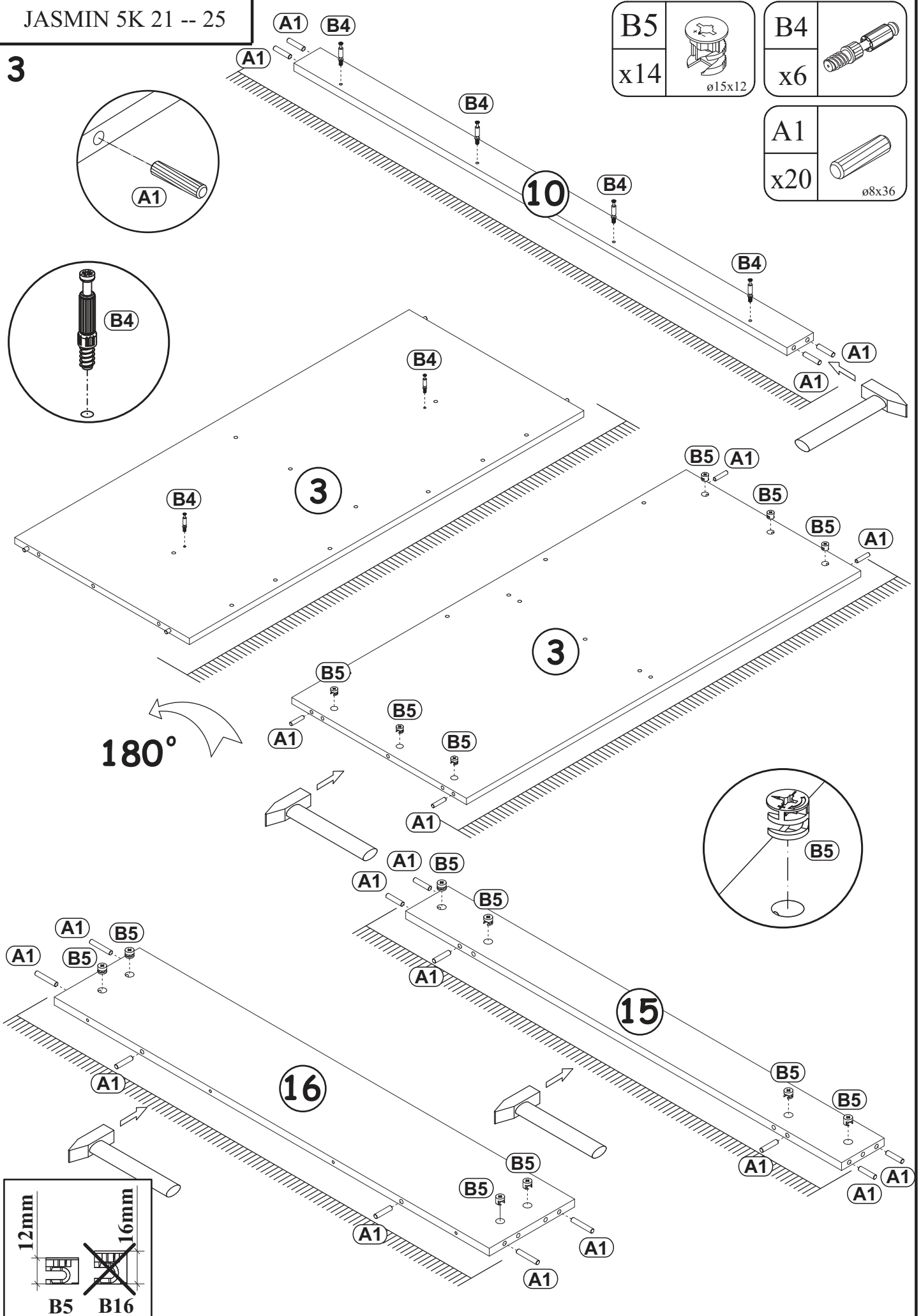
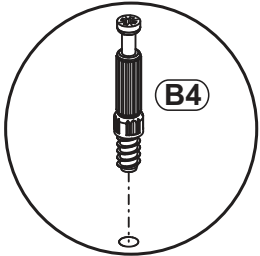
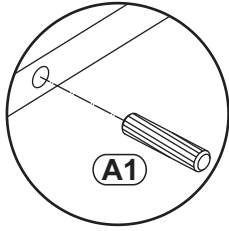
| | | | | | |
|-----|--|-----|---|----|---|
| D10 |  | H13 |  | A1 |  |
| x6 | USØ3,5x13 | x1 | L-400mm. | x2 | ø8x36 |



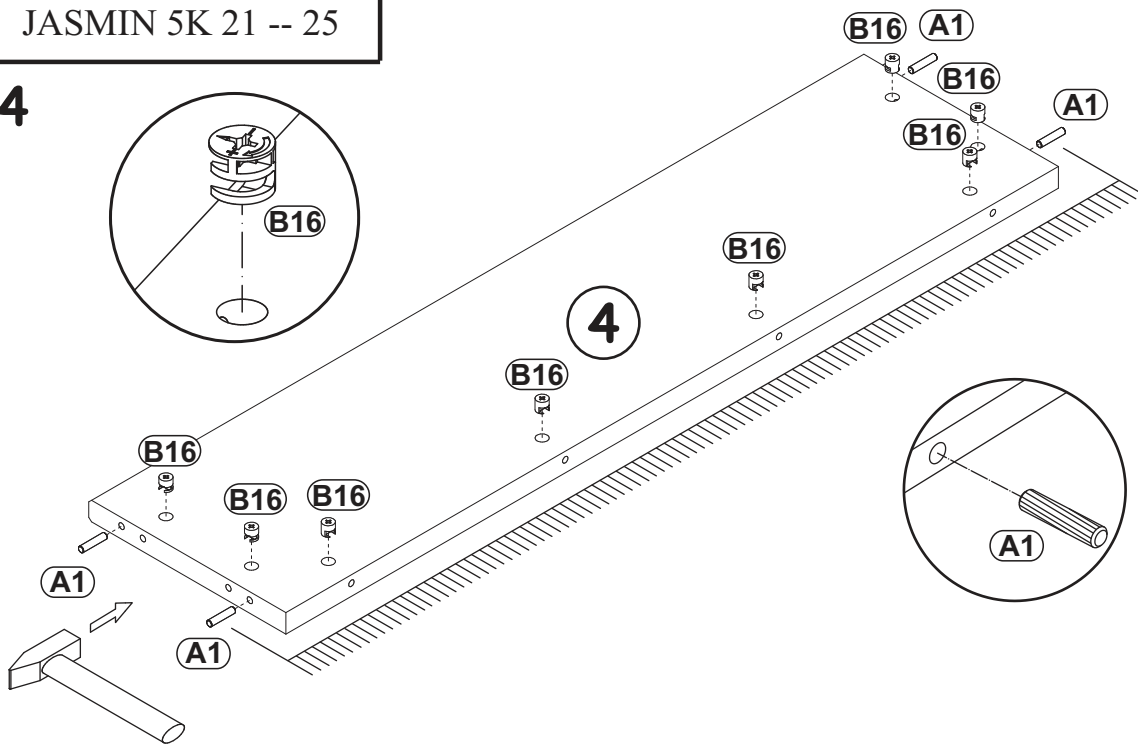
3

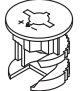
| | | | |
|-----|--|----|---|
| B5 |  | B4 |  |
| x14 | ø15x12 | x6 | |

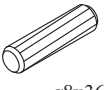
| | |
|-----|---|
| A1 |  |
| x20 | ø8x36 |





4

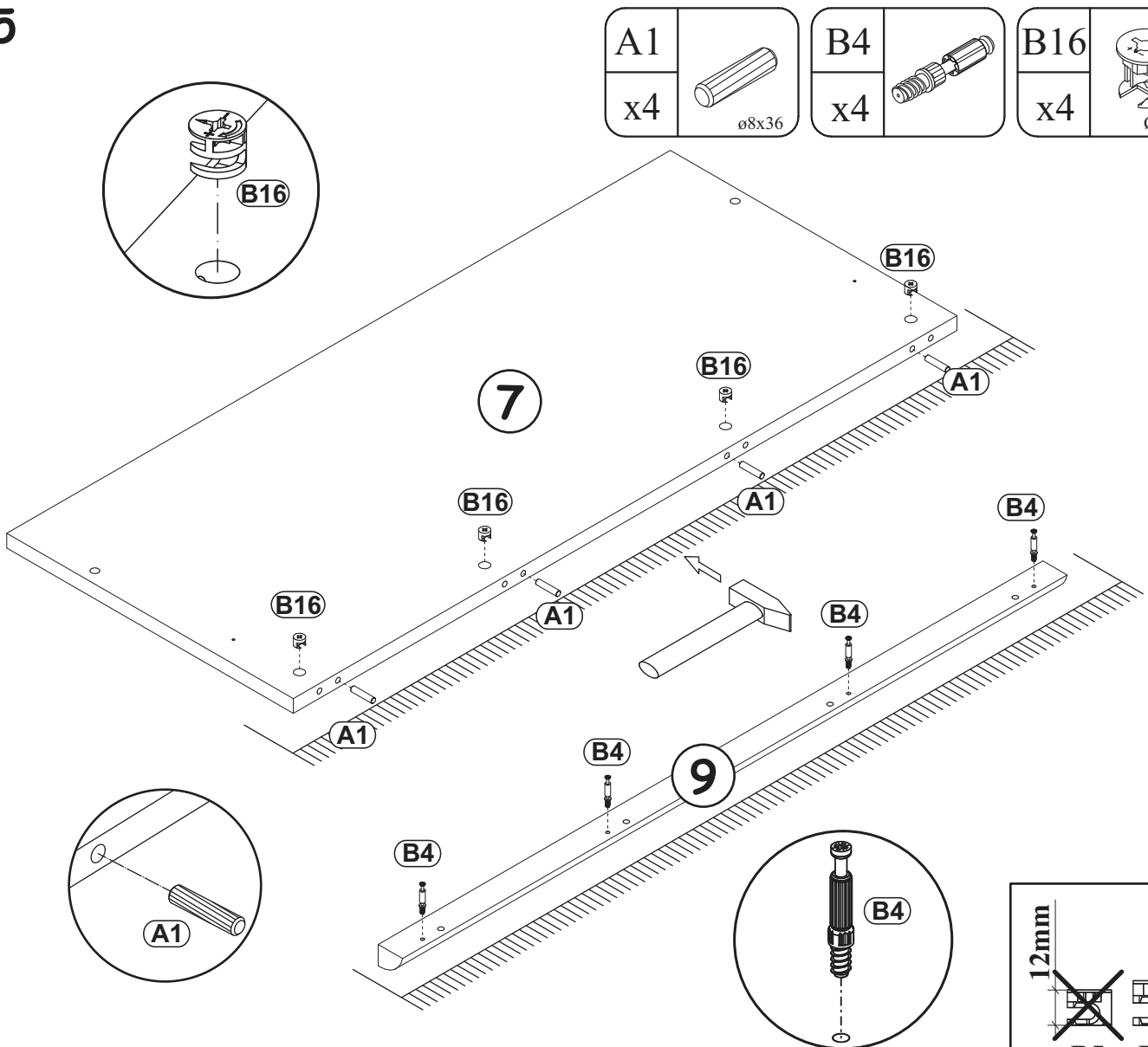


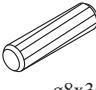
| | |
|-----|---|
| B16 |  |
| x8 | Ø15x16 |

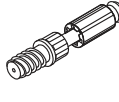
| | |
|----|---|
| A1 |  |
| x4 | ø8x36 |


| | | | |
|---------------|---|------|---|
| 12mm |  | 16mm |  |
| B5 | | B16 | |



5



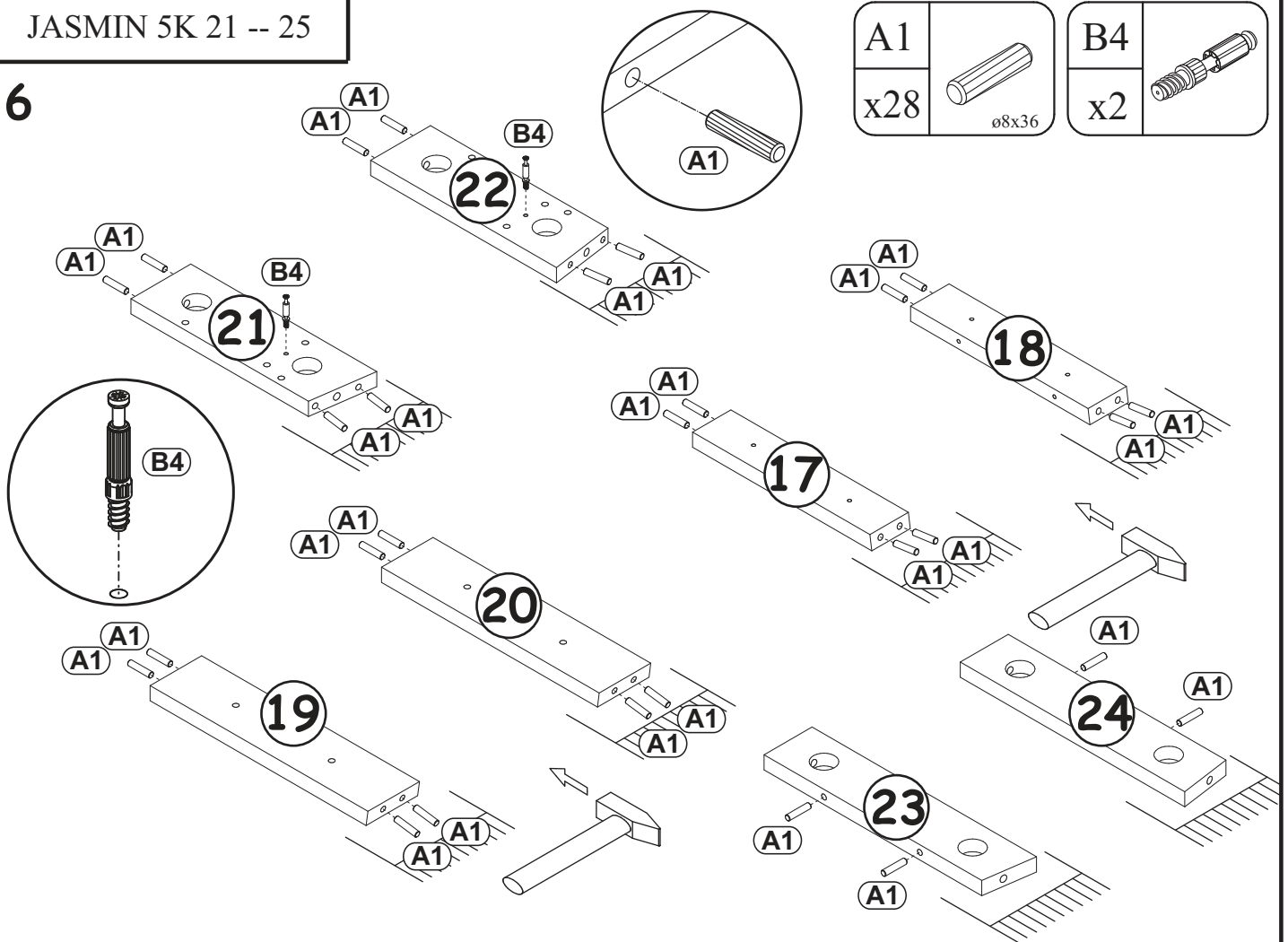
| | |
|----|---|
| A1 |  |
| x4 | ø8x36 |

| | |
|----|--|
| B4 |  |
| x4 | |

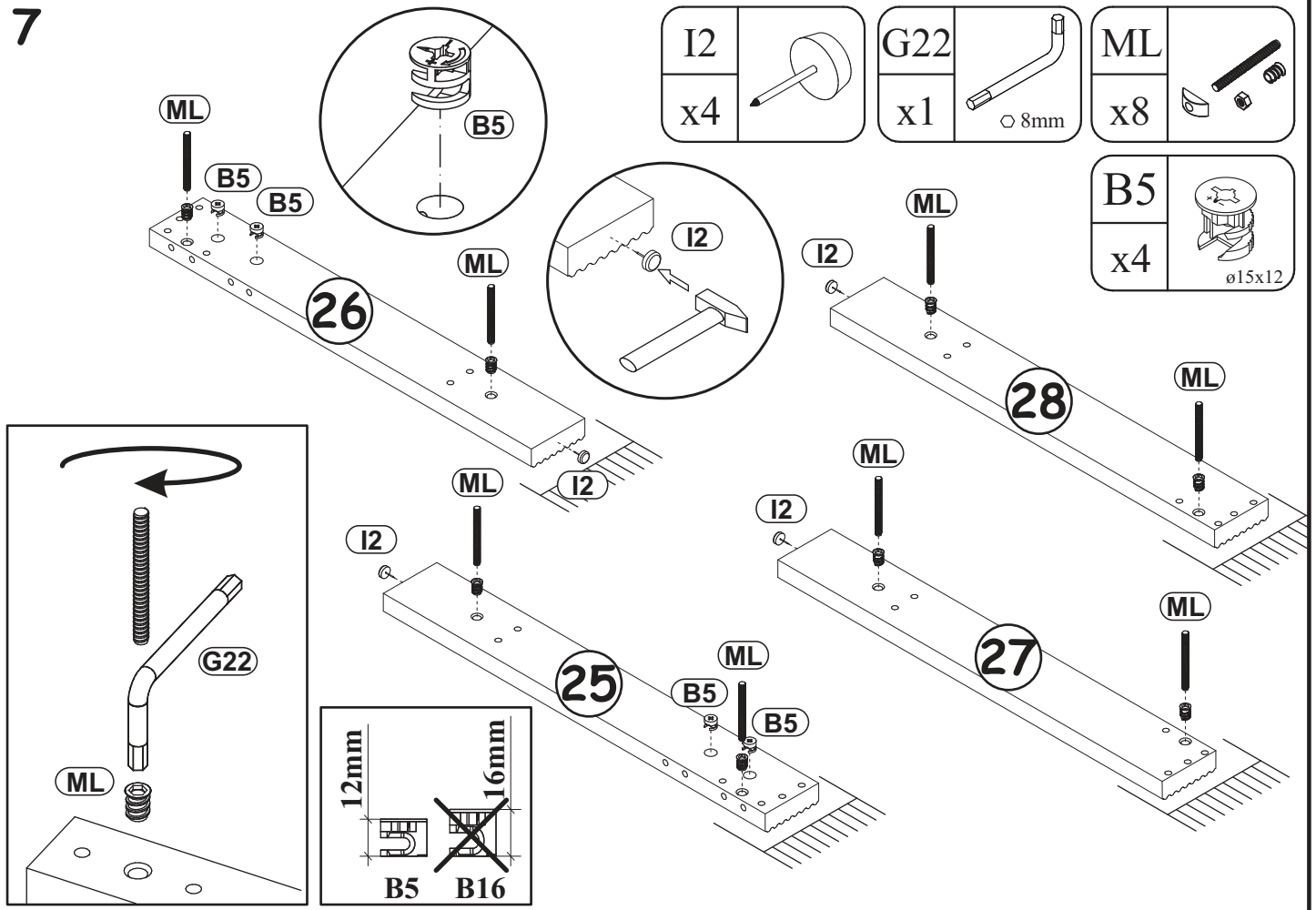
| | |
|-----|--|
| B16 |  |
| x4 | Ø15x16 |

| | | | |
|---------------|---|------|---|
| 12mm |  | 16mm |  |
| B5 | | B16 | |

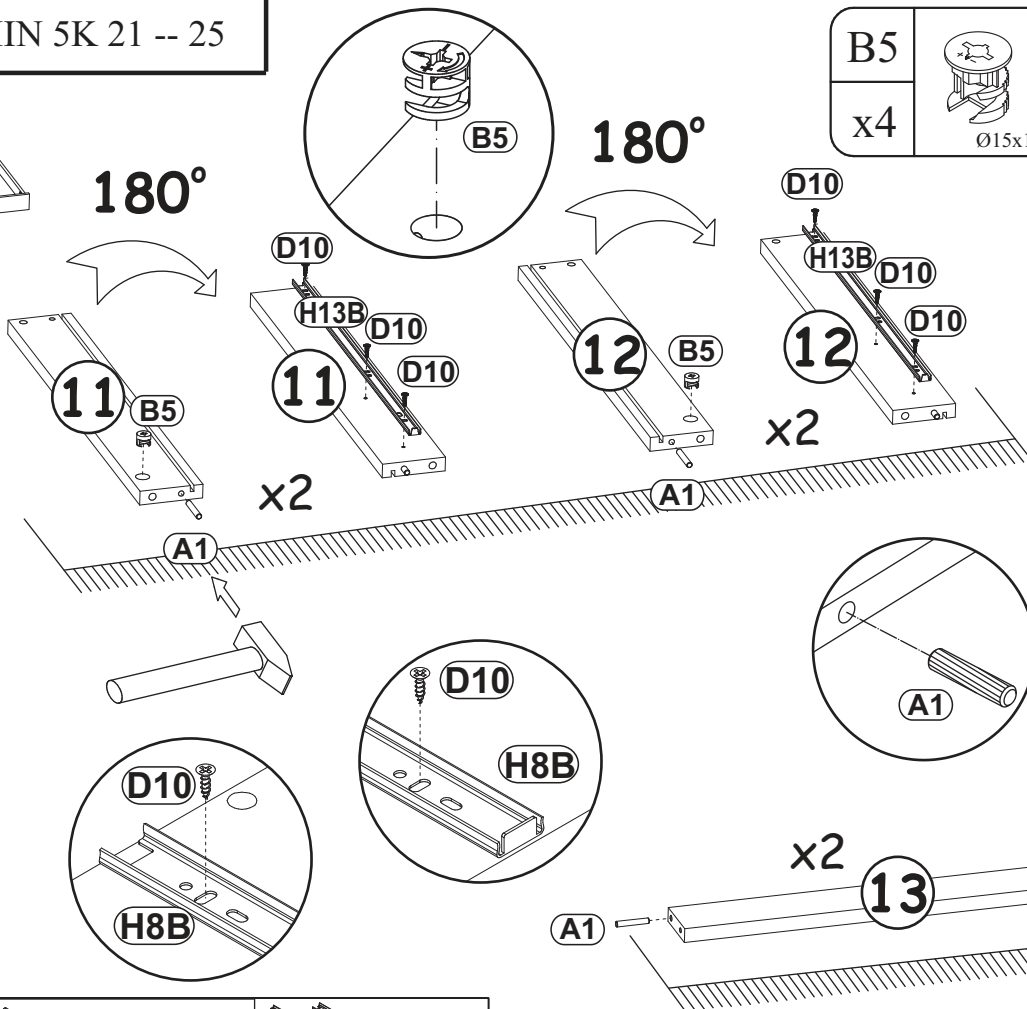
6




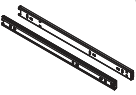
7

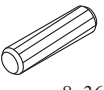



8

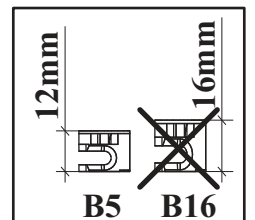
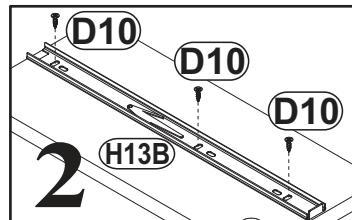
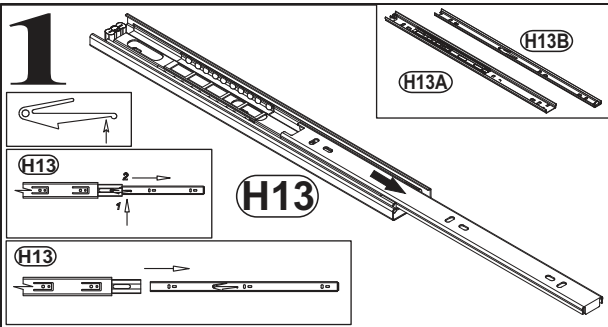


| | |
|----|--|
| B5 |  |
| x4 | Ø15x12 |

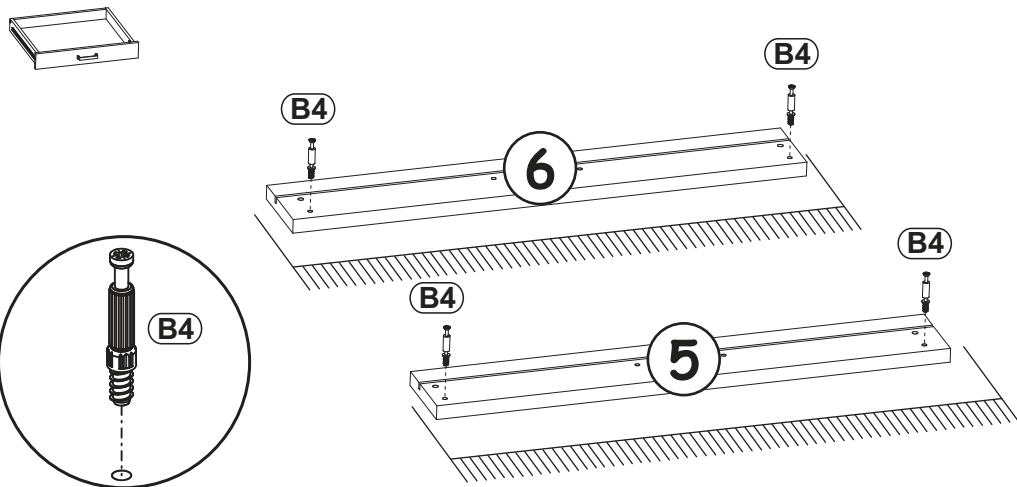
| | |
|-----|--|
| H13 |  |
| x2 | L-400mm |

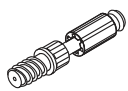
| | |
|----|---|
| A1 |  |
| x8 | ø8x36 |

| | |
|-----|---|
| D10 |  |
| x12 | USØ3,5x13 |

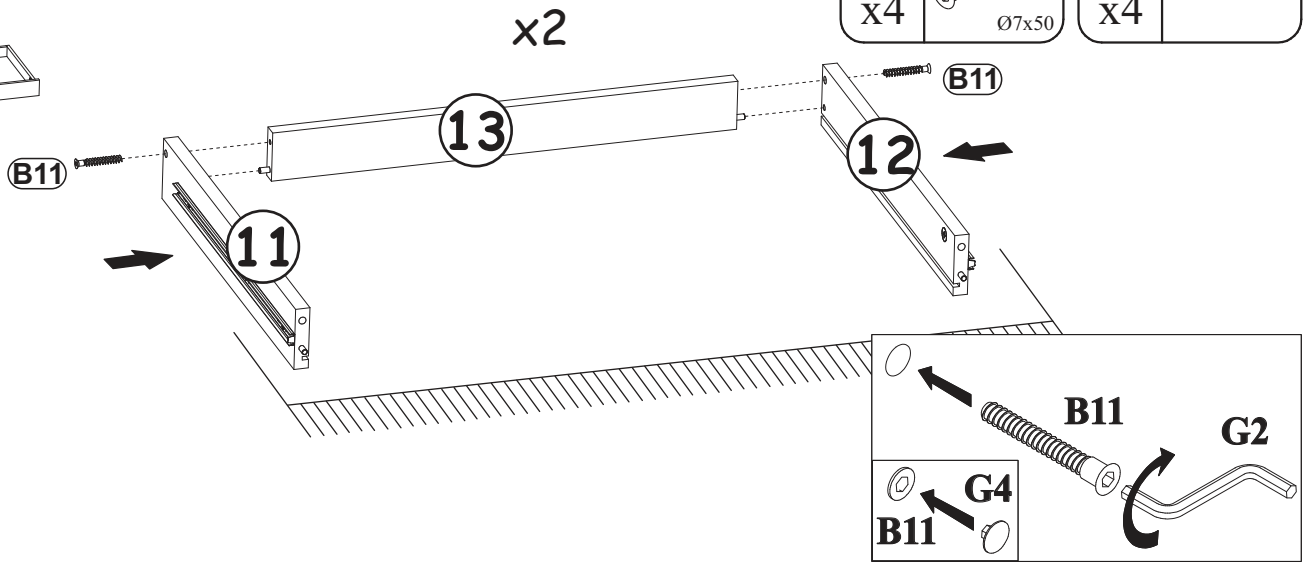
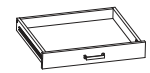


9

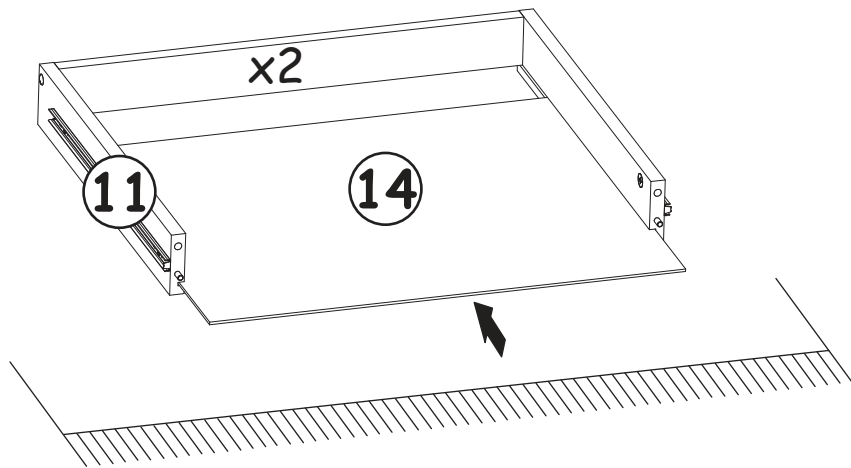
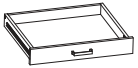


| | |
|----|---|
| B4 |  |
| x4 | |

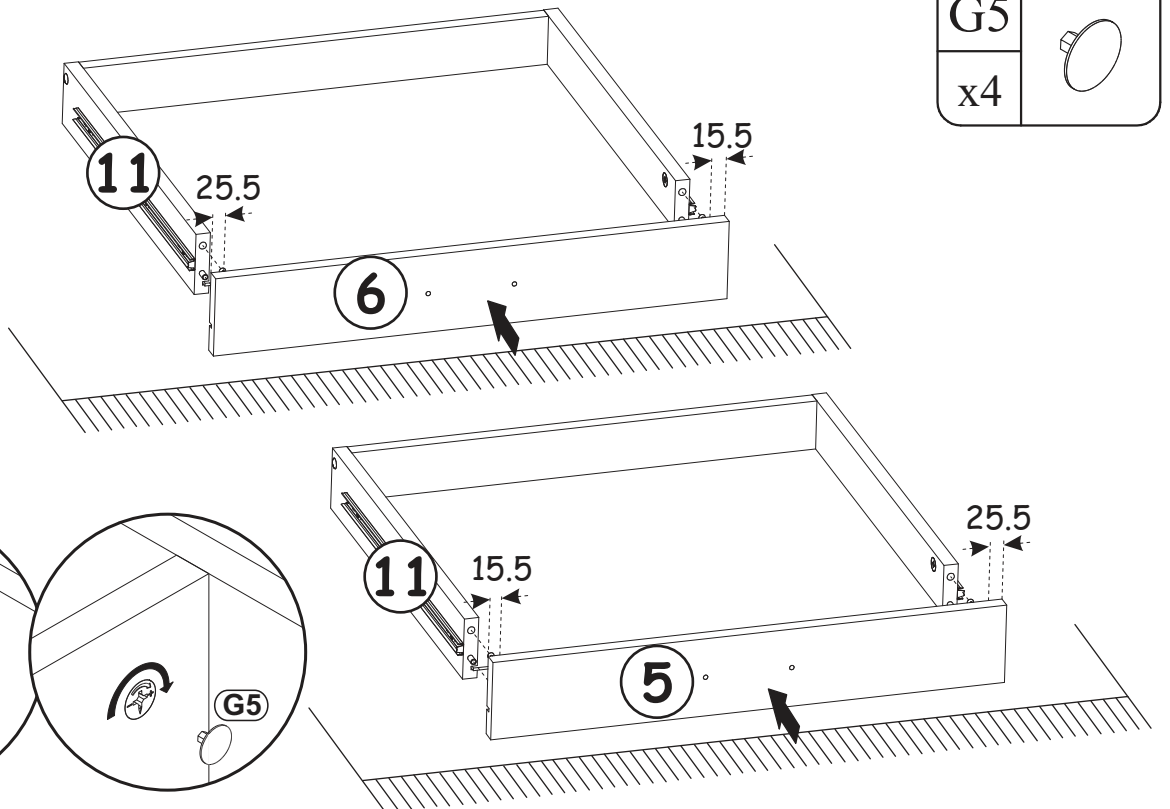
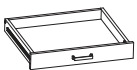
10



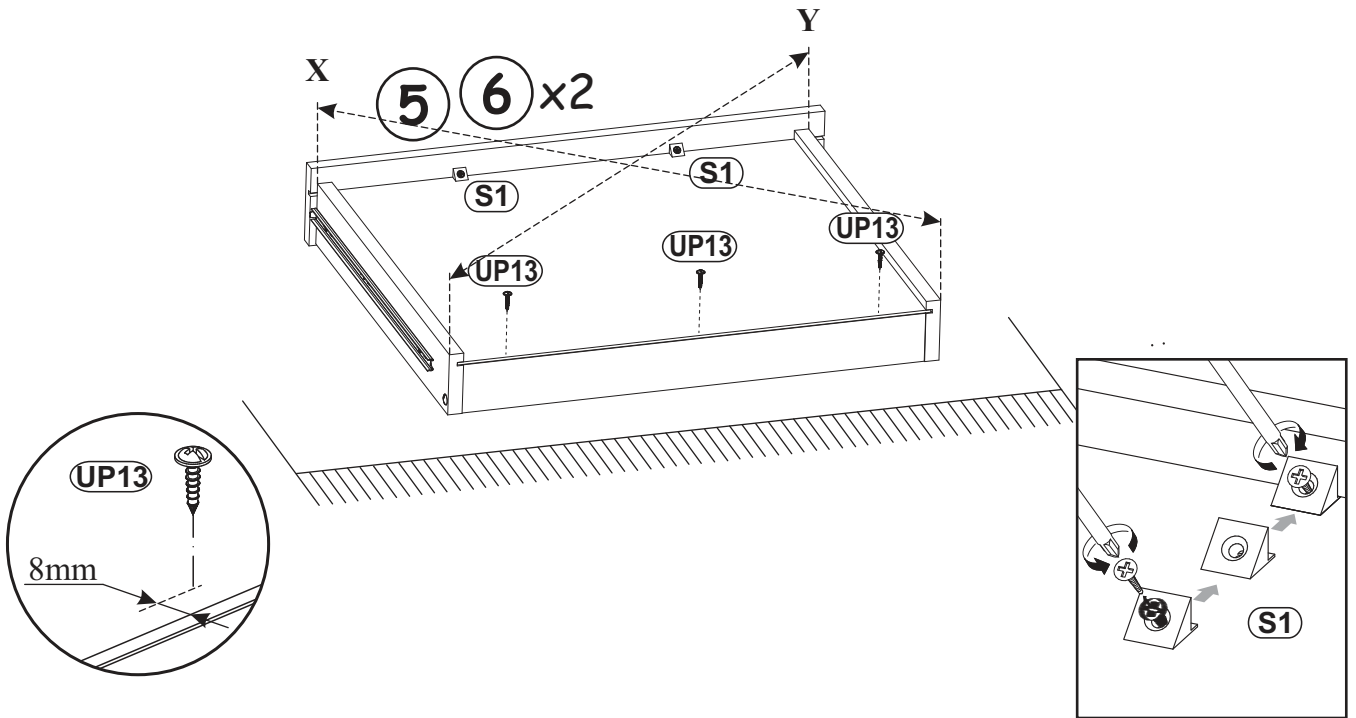
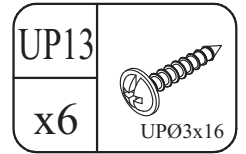
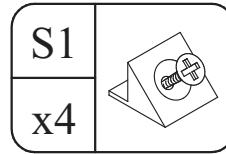
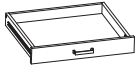
11



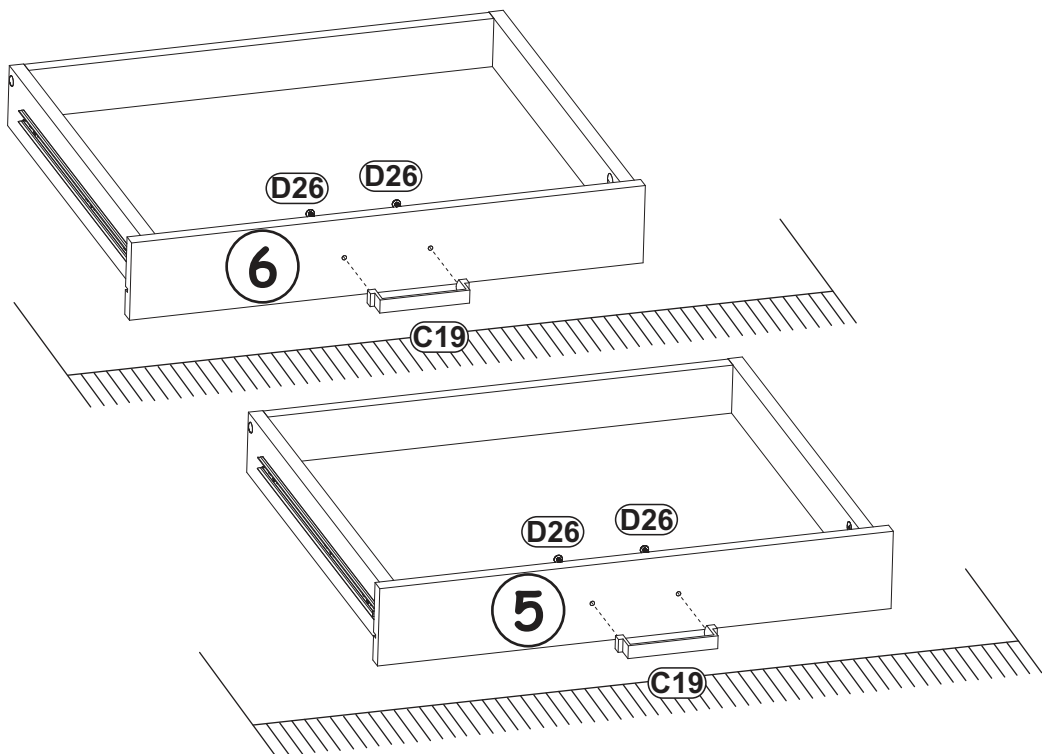
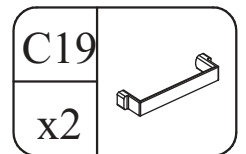
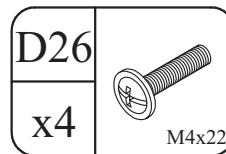
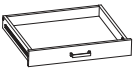
12



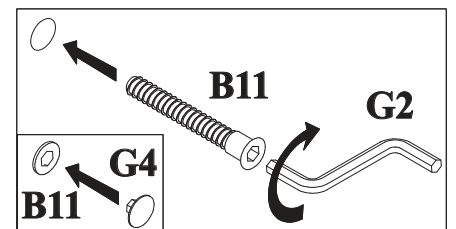
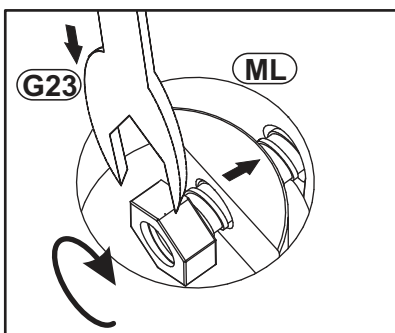
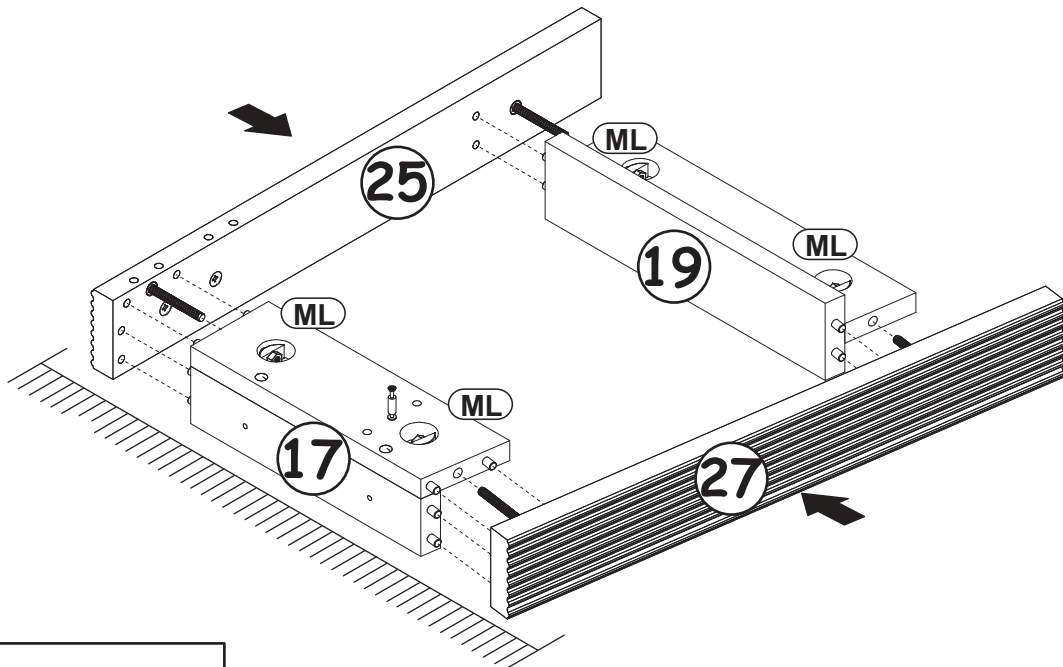
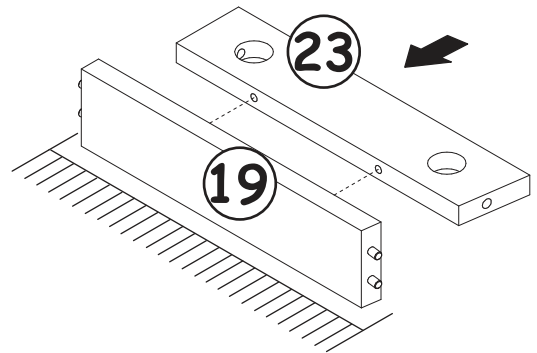
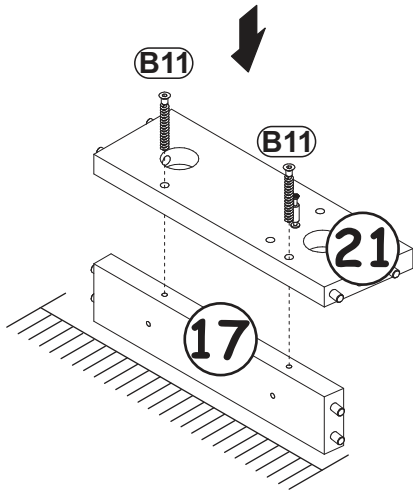
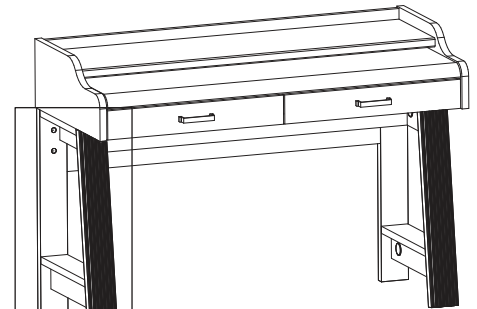
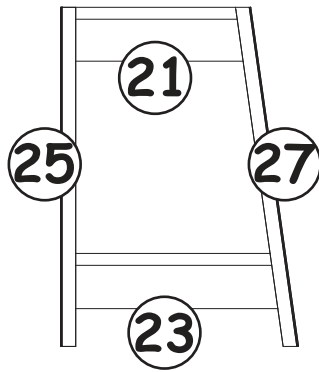
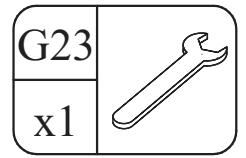
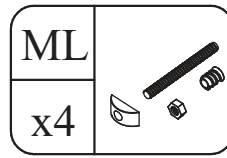
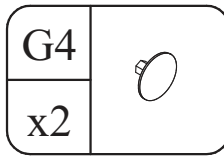
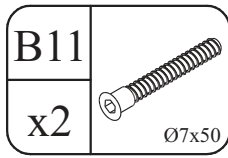
13



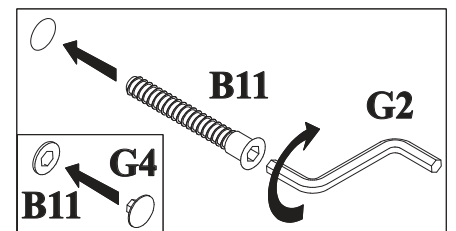
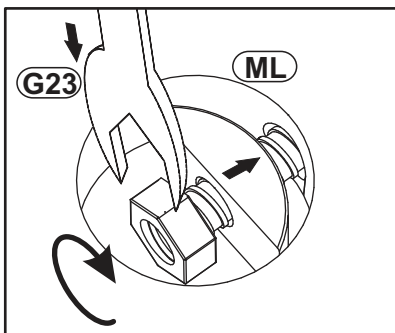
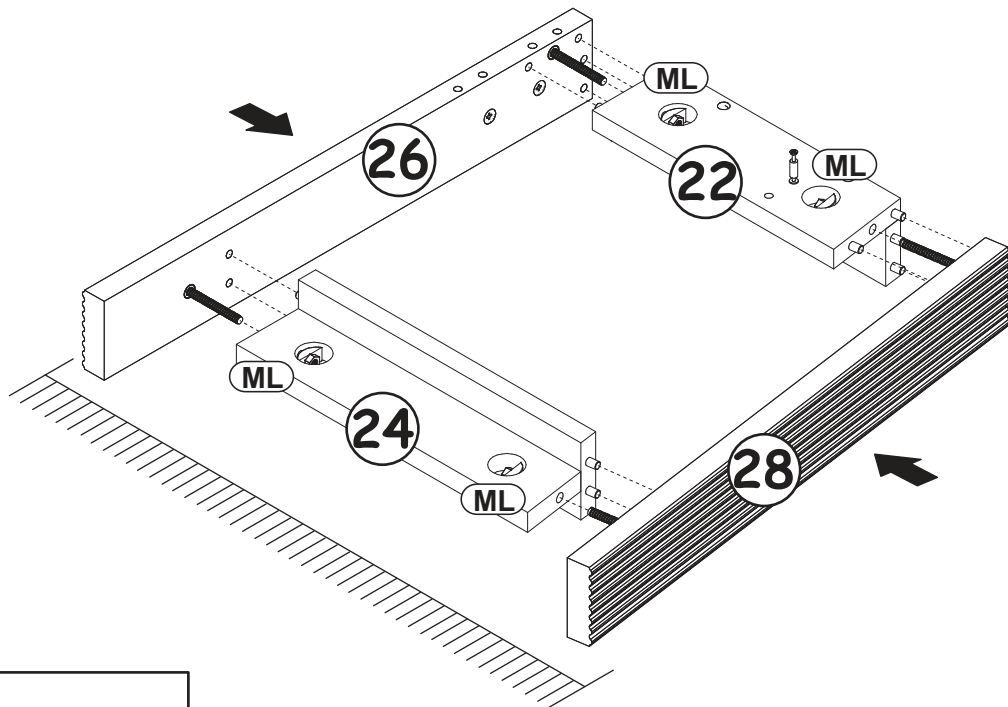
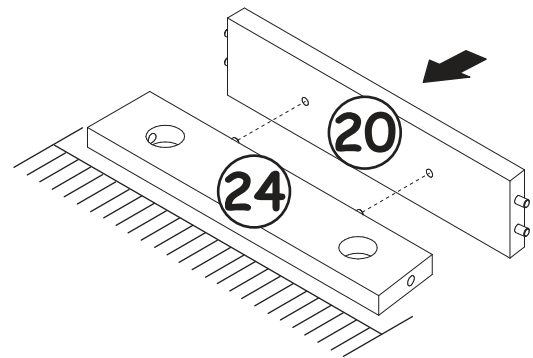
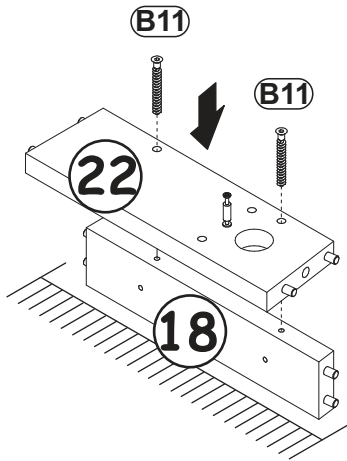
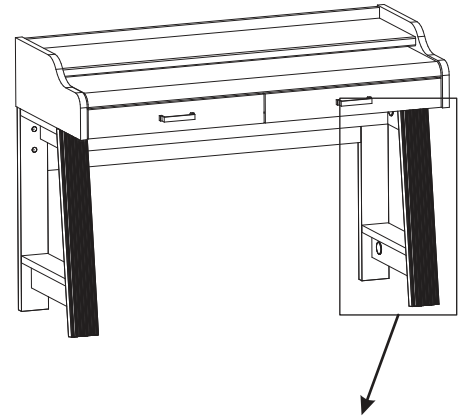
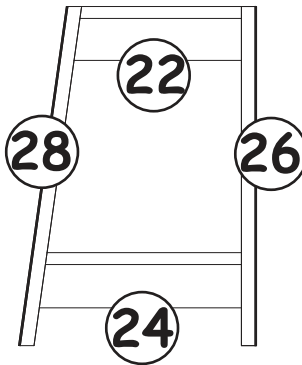
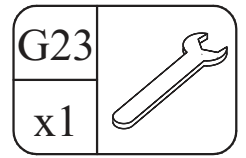
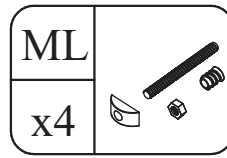
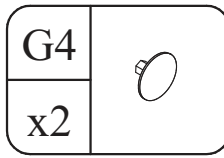
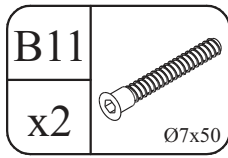
14





15




16

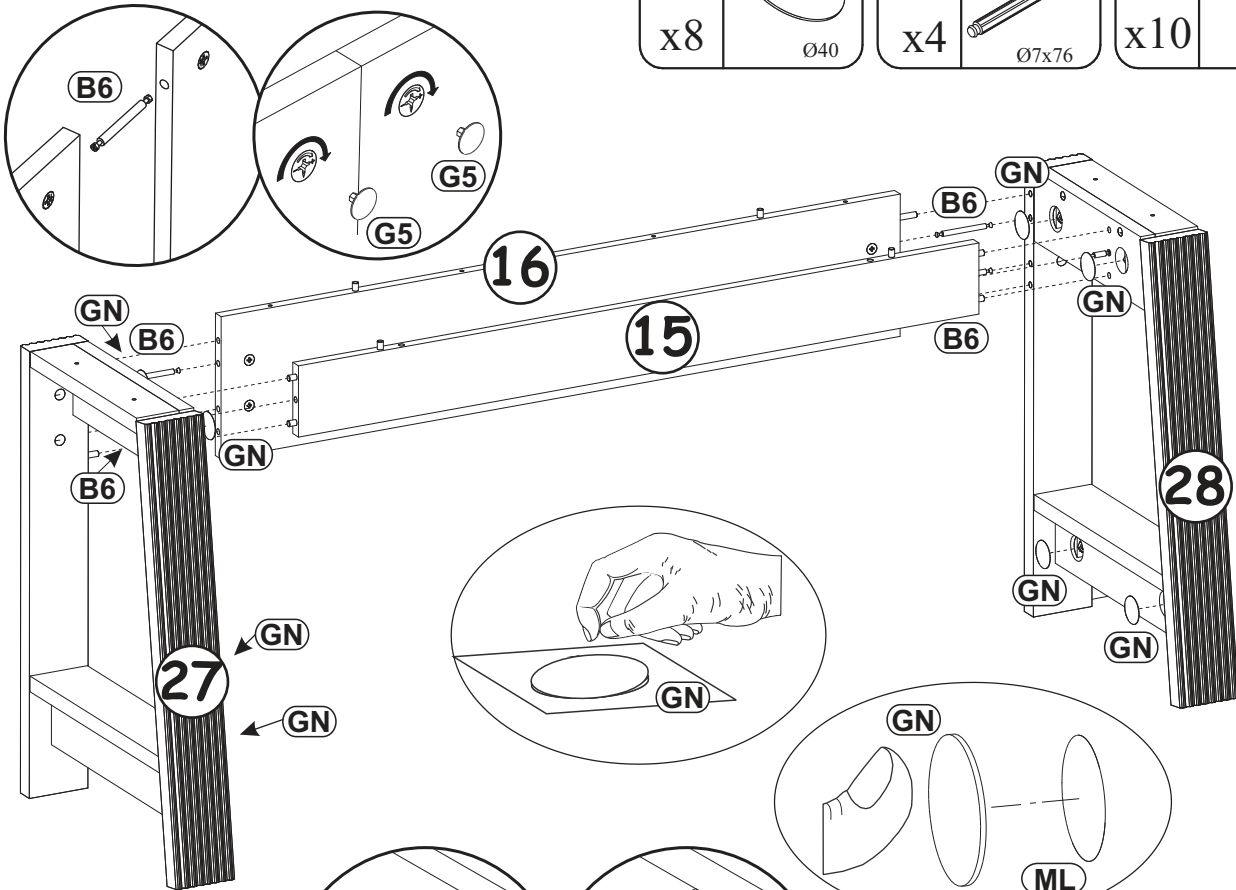


| | |
|----|---|
| GN |  |
| x8 | Ø40 |

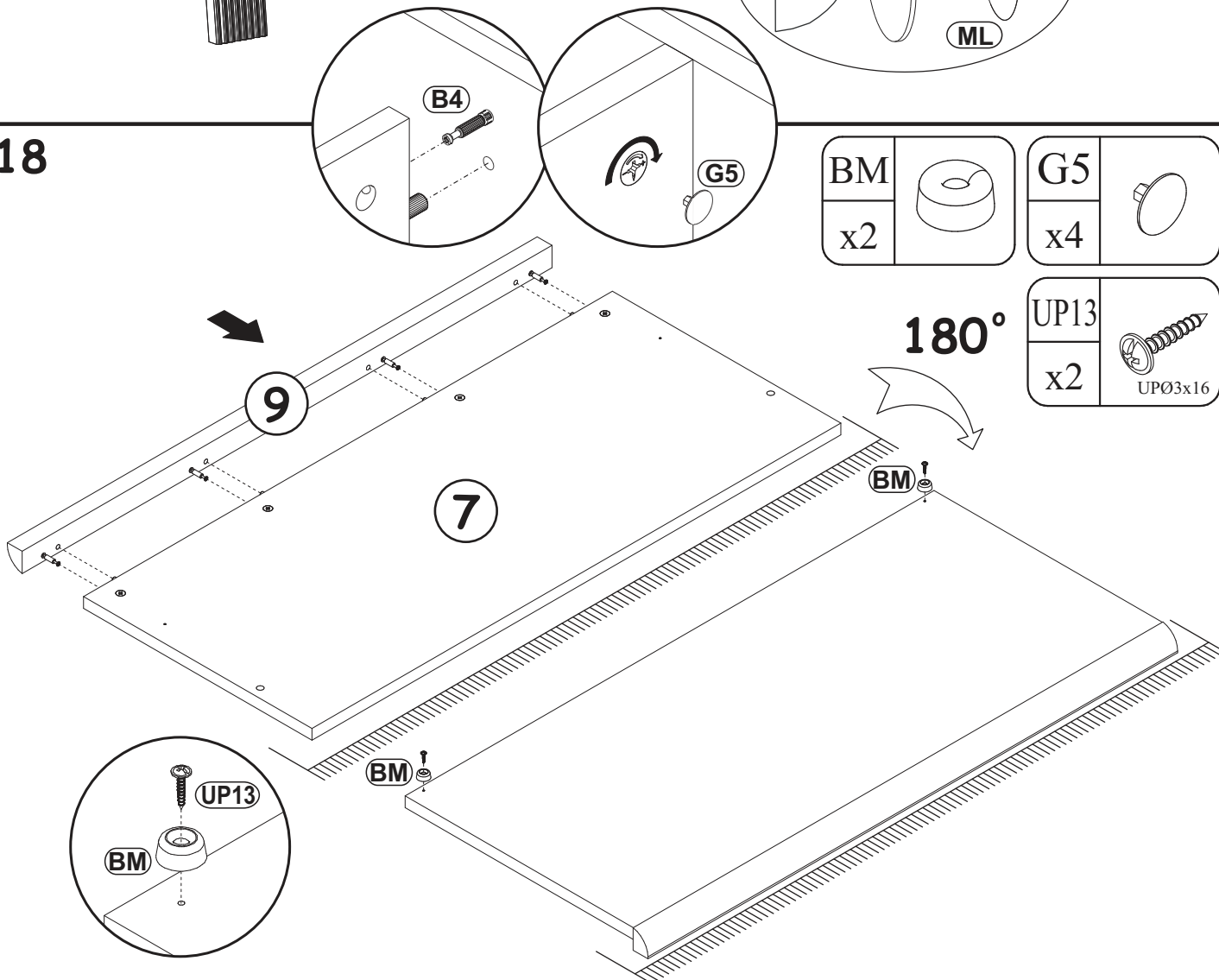
| | |
|----|--|
| B6 |  |
| x4 | Ø7x76 |

| | |
|-----|--|
| G5 |  |
| x10 | |



17

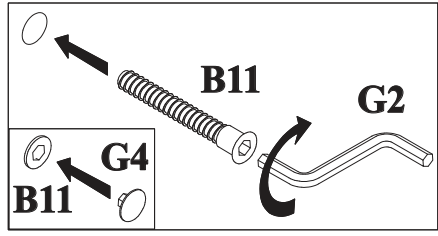
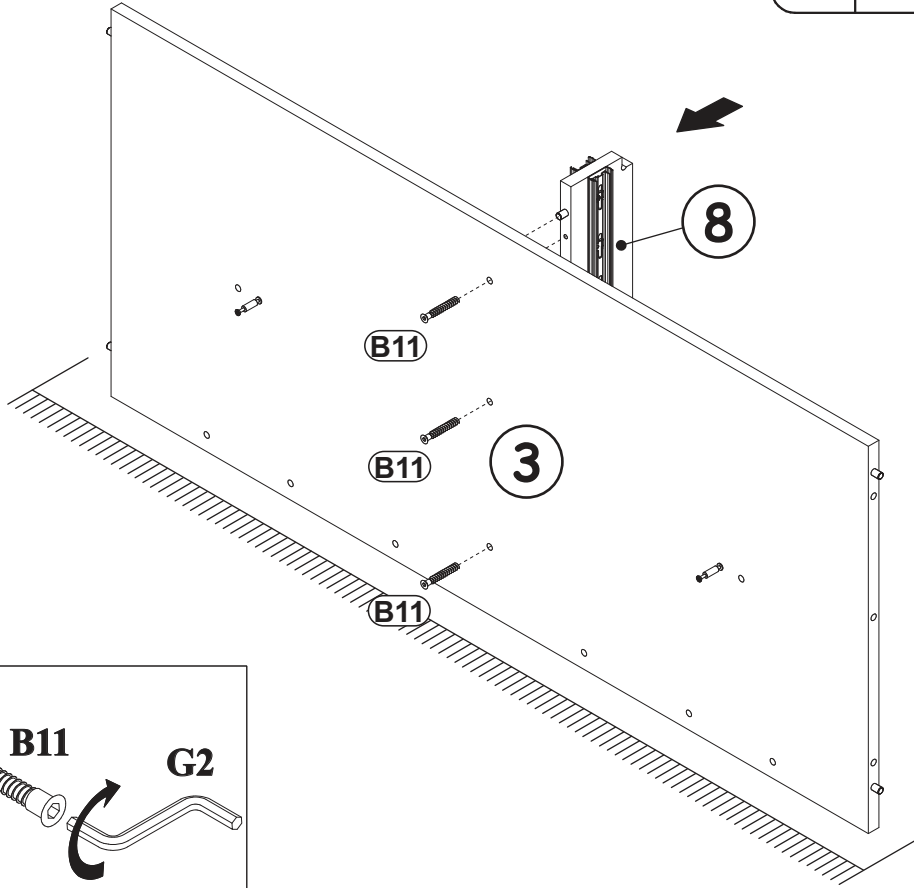


18




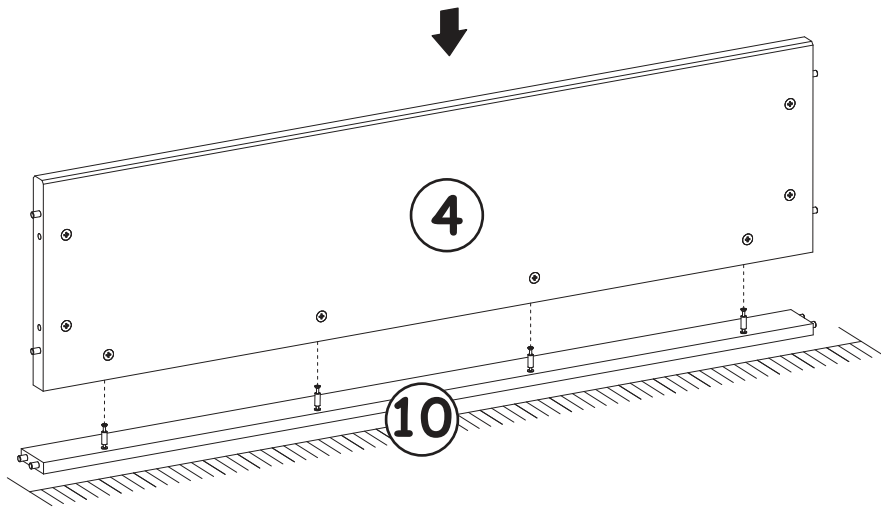
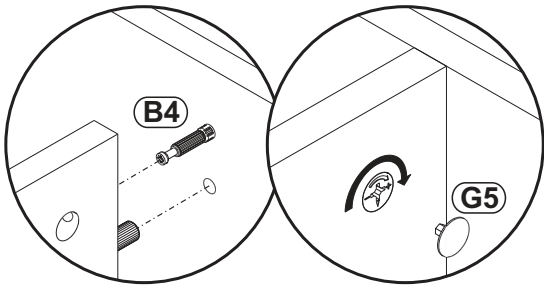
19

| | | | |
|-----|---|----|---|
| B11 |  | G4 |  |
| x3 | Ø7x50 | x3 | |

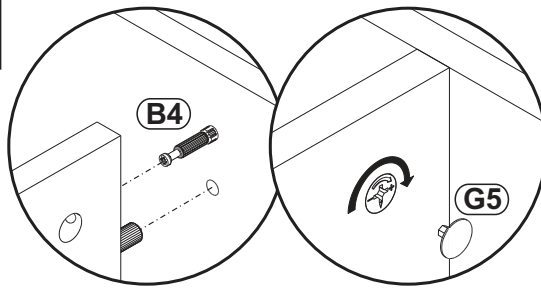


20

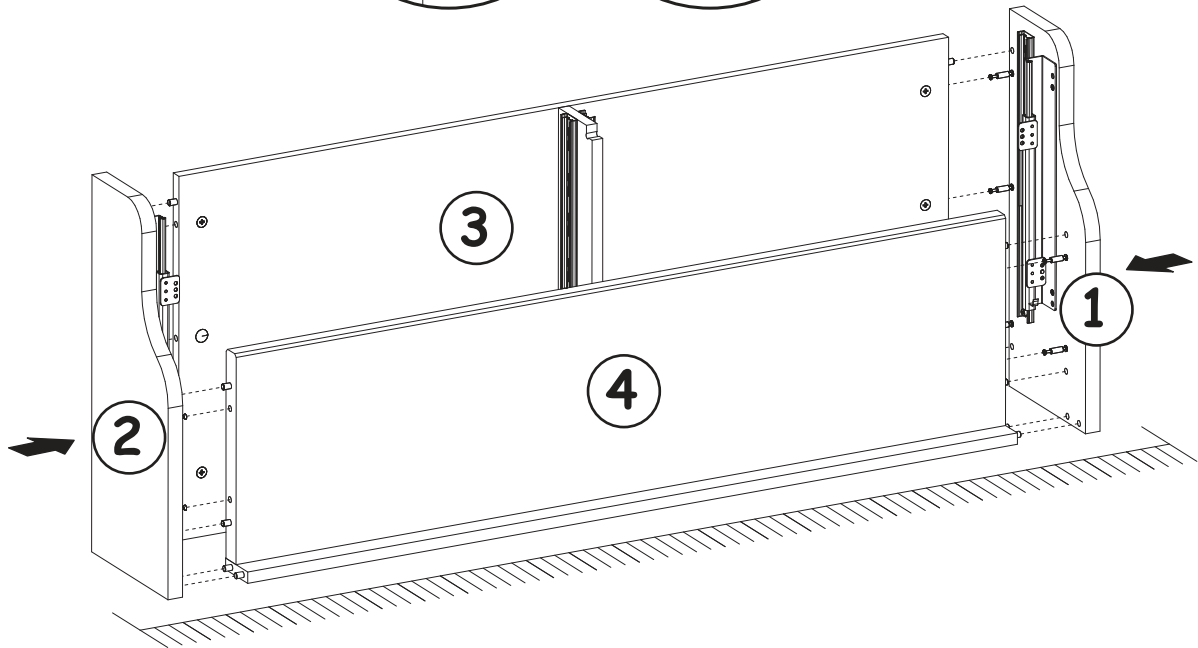
| | |
|----|---|
| G5 |  |
| x4 | |



21



| | |
|-----|--|
| G5 | |
| X10 | |



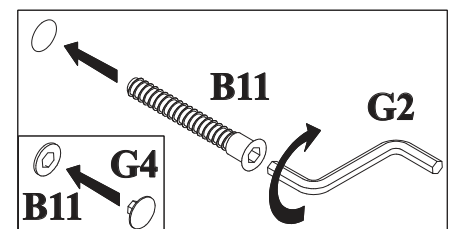
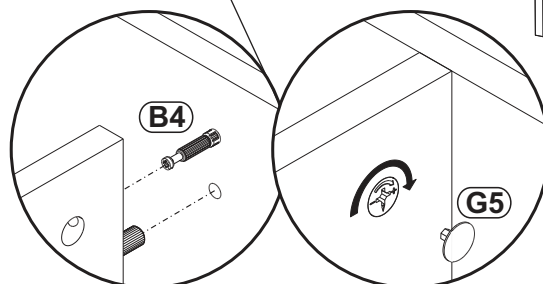
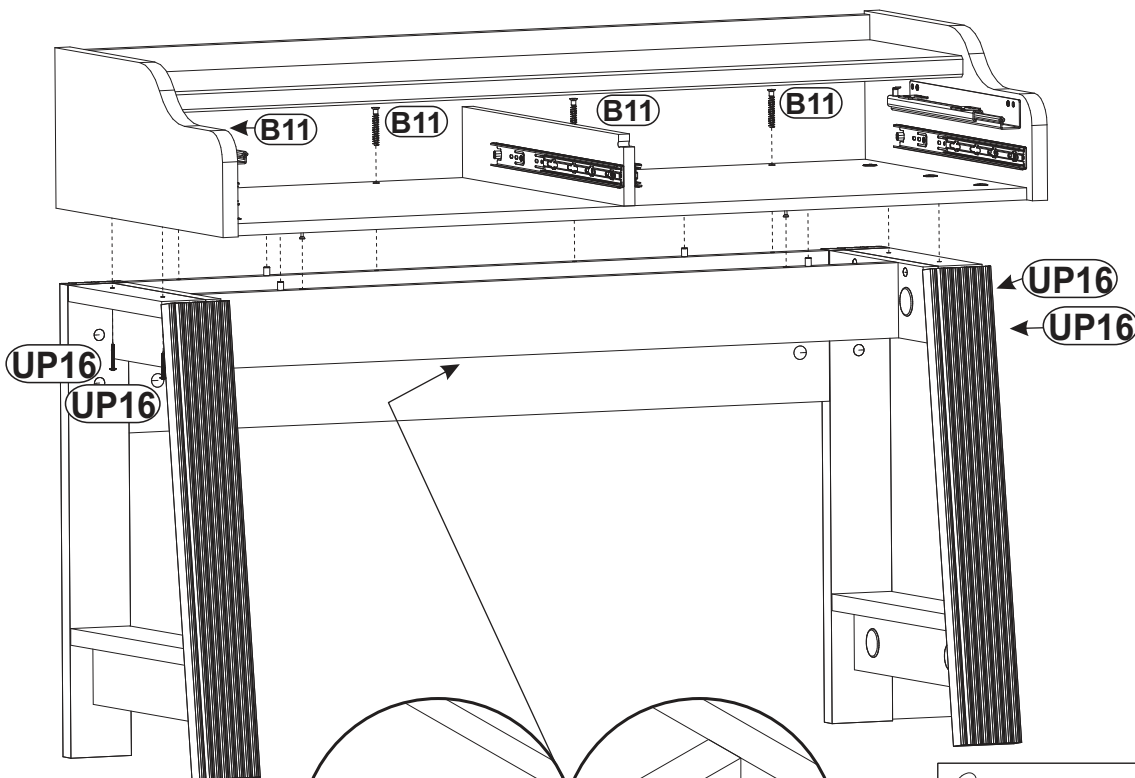
22

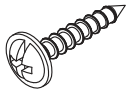
| | |
|----|--|
| G4 | |
| x4 | |

| | |
|-----|-------|
| B11 | |
| x4 | Ø7x50 |

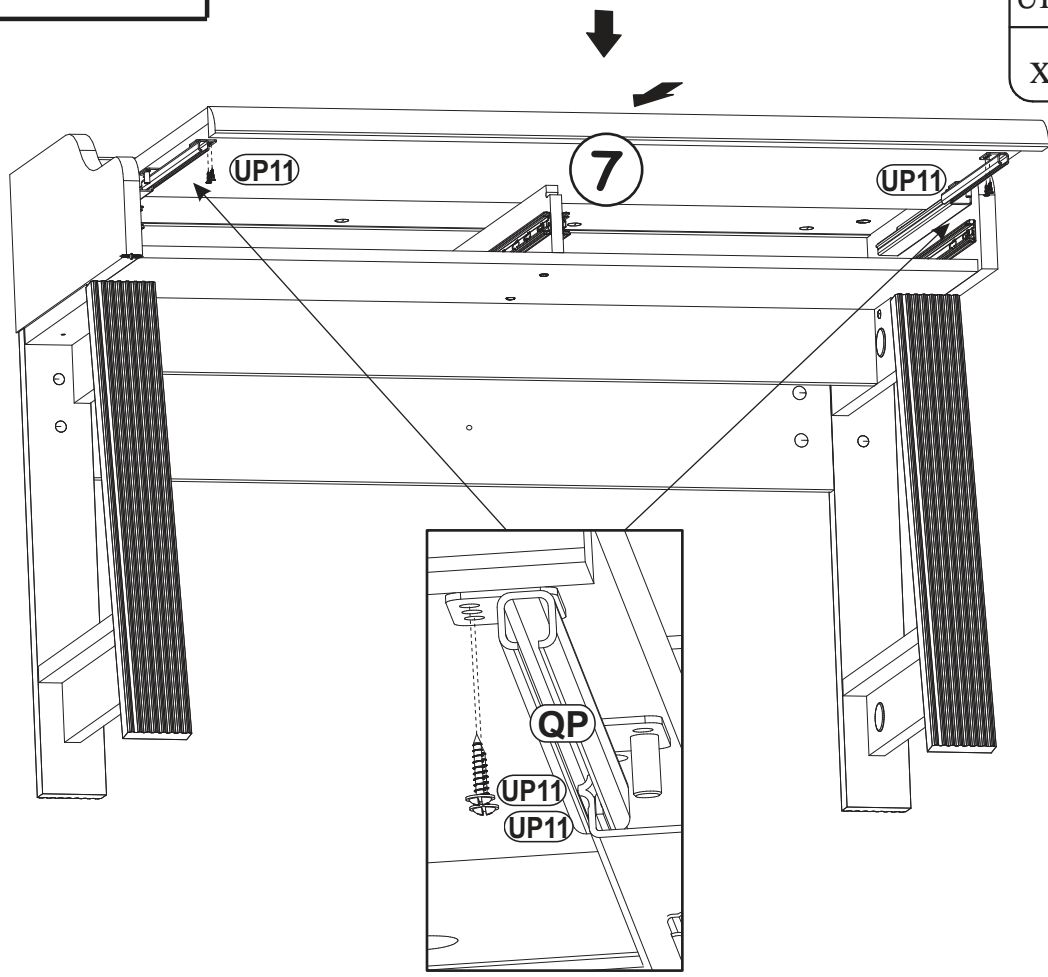
| | |
|------|---------|
| UP16 | |
| x4 | UPØ4x35 |

| | |
|----|--|
| G5 | |
| x2 | |



| | |
|------|---|
| UP11 |  |
| x4 | UPØ4x20 |

23



24

