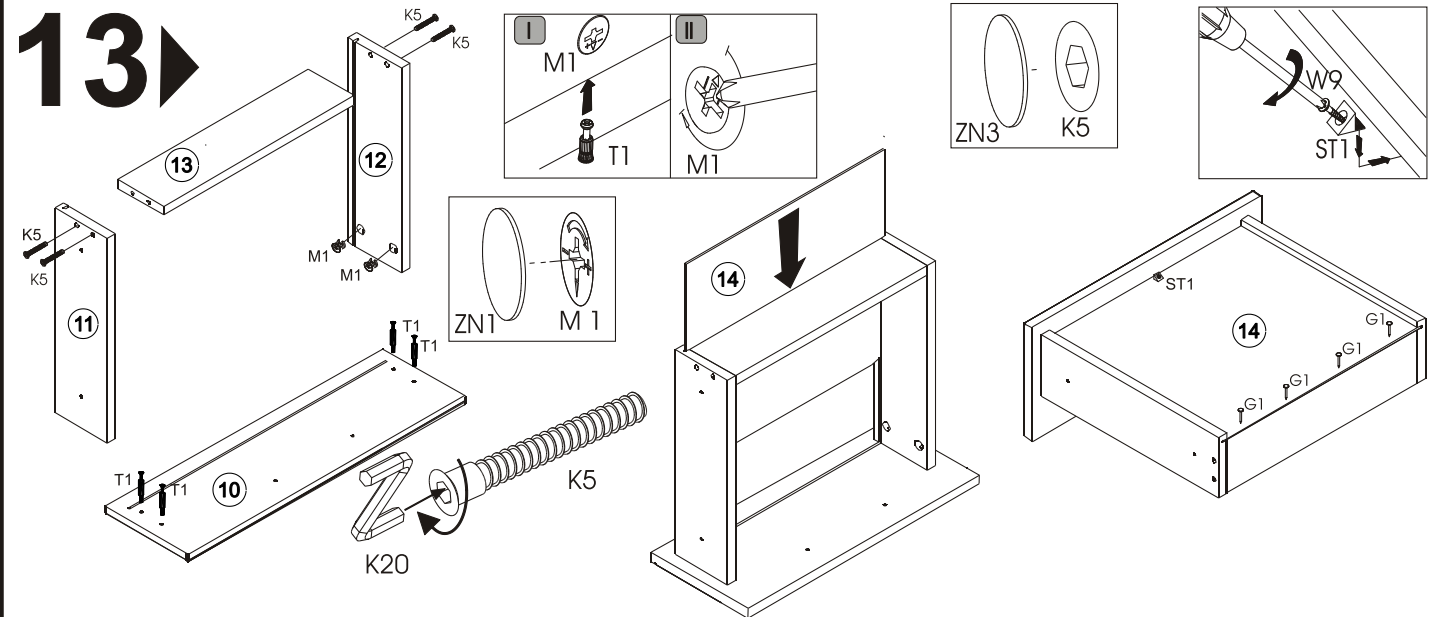
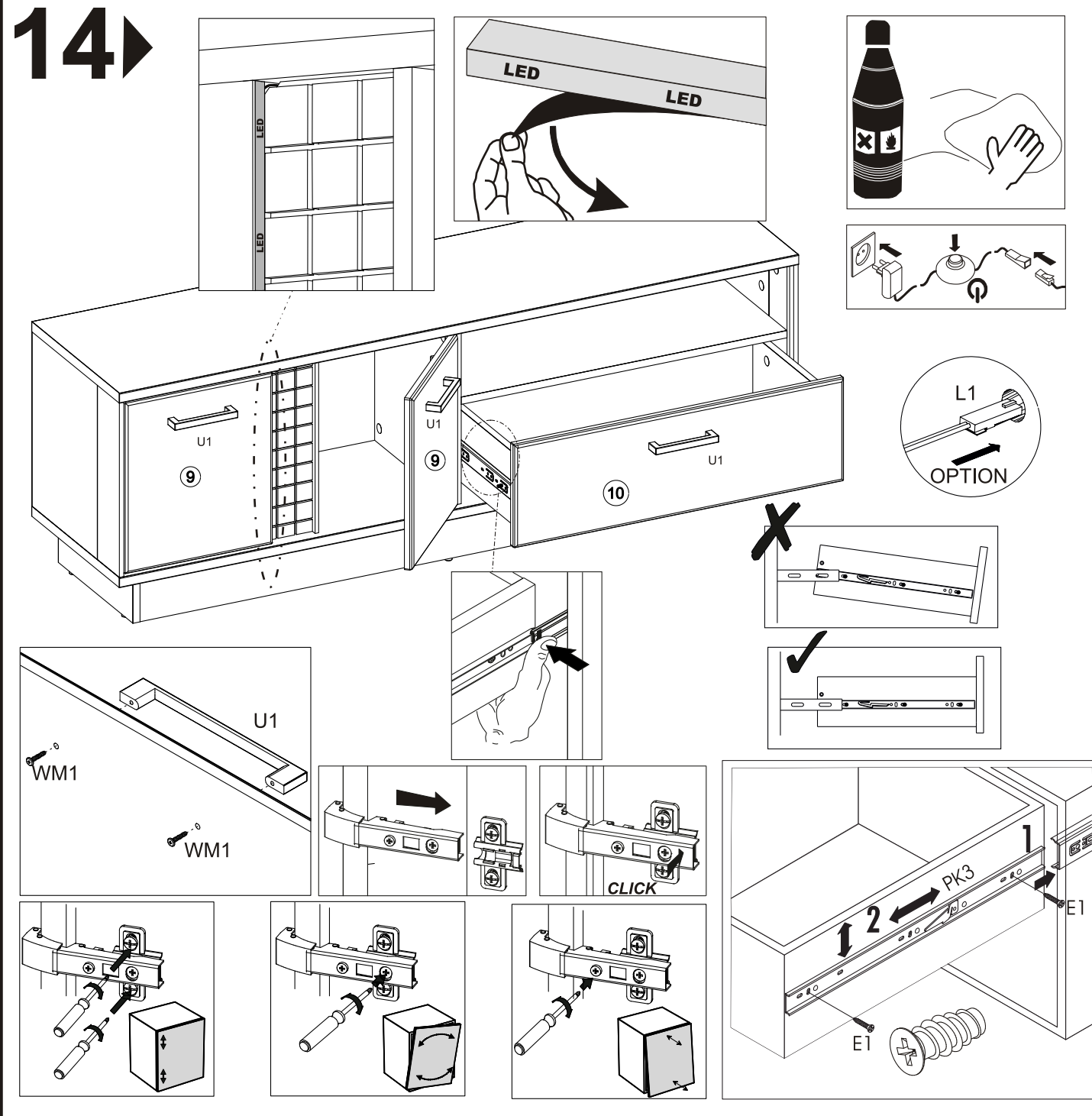


# 13



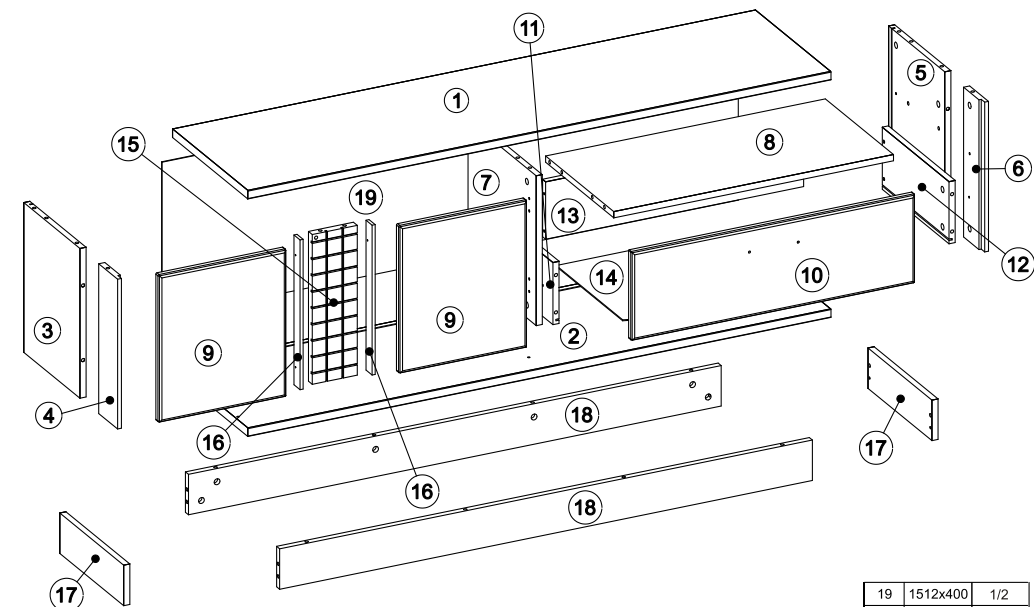
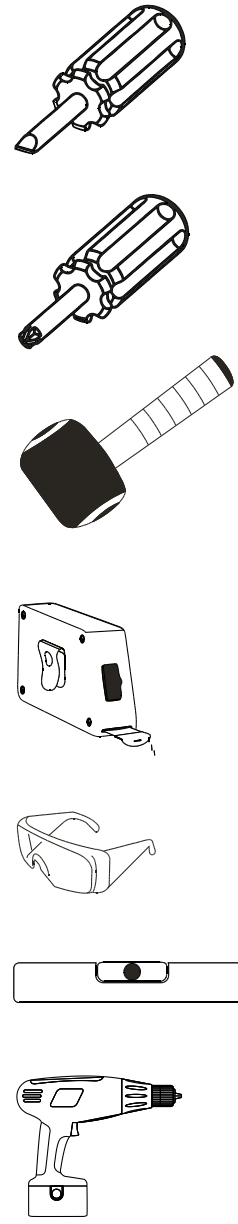
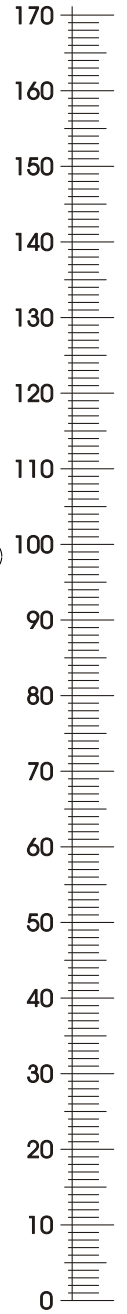
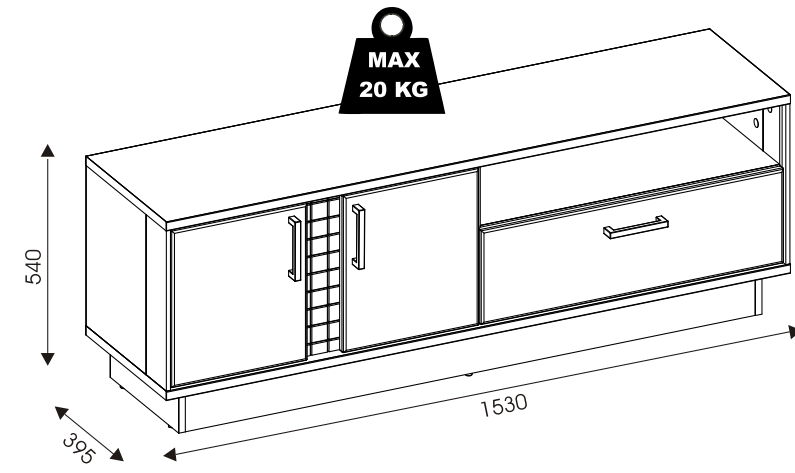
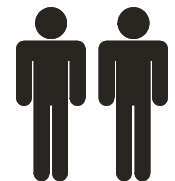
# 14



## MODEL: MR1

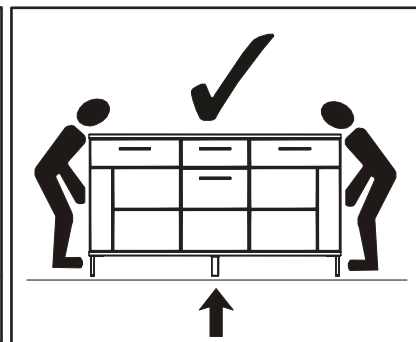
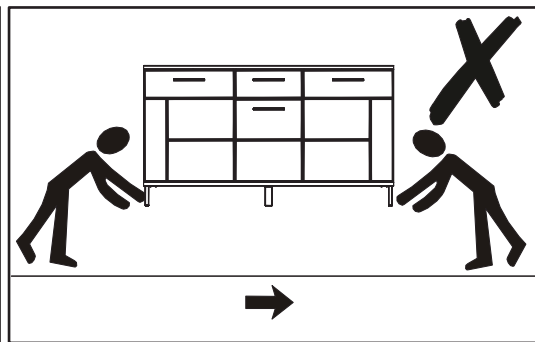
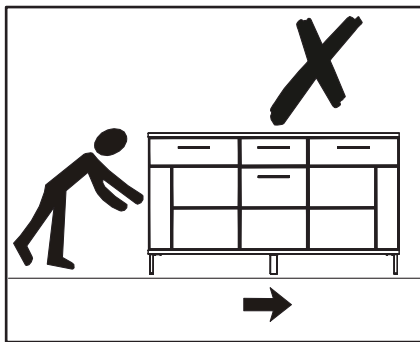
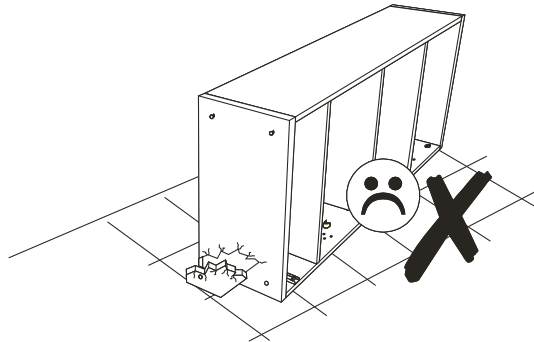
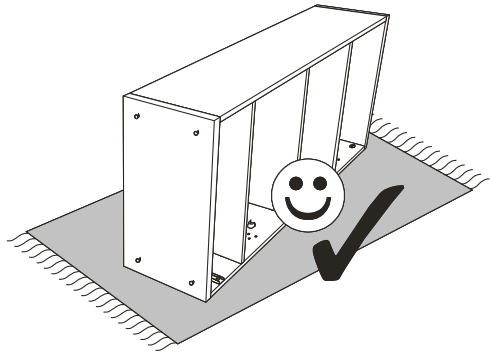
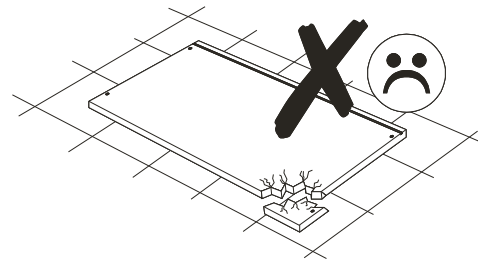
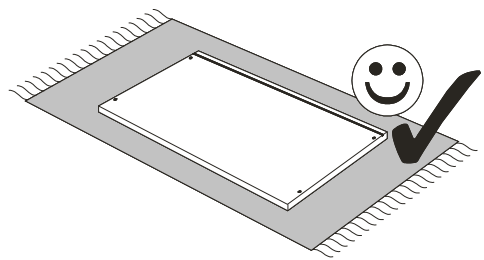
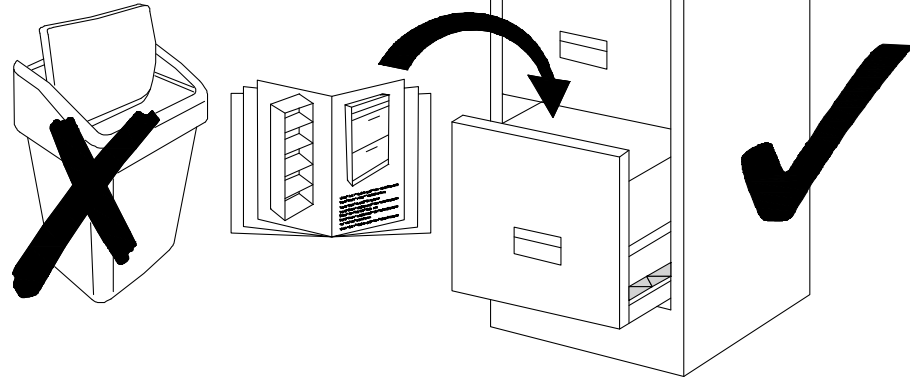


MAX  
20 KG

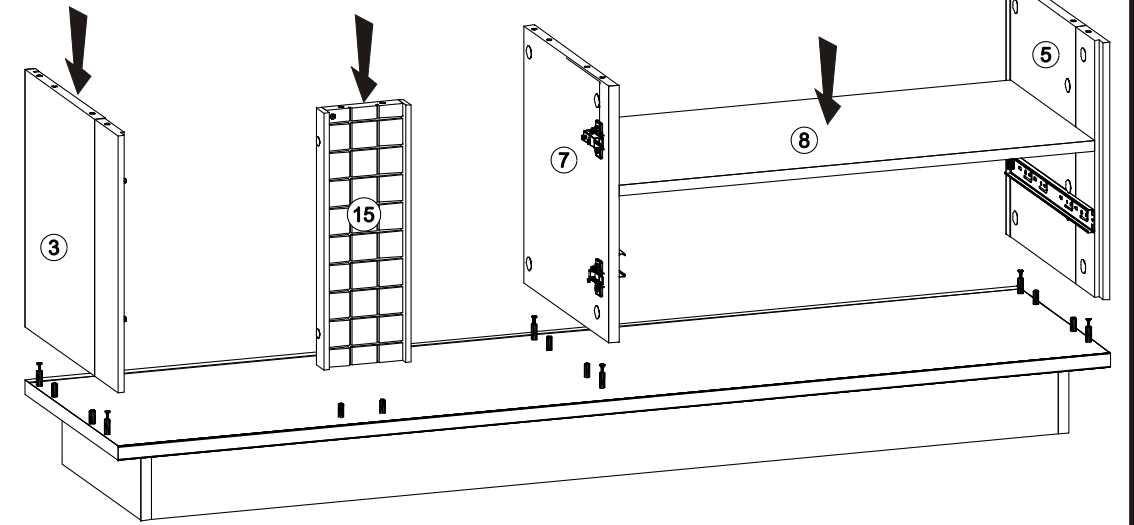


19	1512x400	1/2
18	1398x104	1/2
17	336x104	1/2
16	385x32	2/2
15	385x118	1/2
14	357x692	1/2
13	677x148	2/2
12	350x160	2/2
11	350x160	2/2
10	744x228	2/2
9	379x335	2/2
8	734x358	2/2
7	385x358	1/2
6	385x99	1/2
5	385x295	1/2
4	385x99	1/2
3	385x295	1/2
2	1530x396	1/2
1	1530x396	1/2

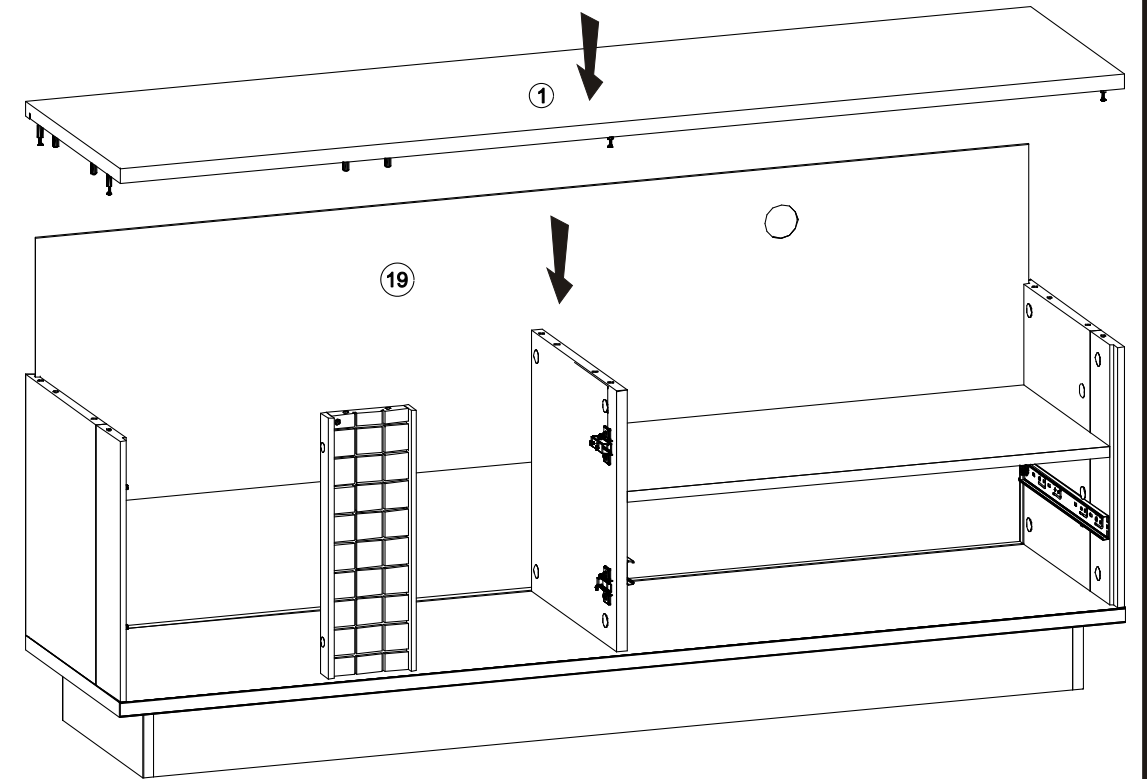
20x #20/112 ZN1	8x #14/112 ZN3	2x H=0 PR0	4x ZC8						
4x #20/325 ZN2	8x 3.5x16 W3	11x ST1	1 kpl. #350 PK3	4x 3x25 W10	11x 3x20 W9	2x H=2 PR2	3x U1	6x N1	
4x 6.4x50 K5	24x 8x30 K1	1x LED 10x10x383	1x K20	36x #15/15 M1	36x DU232T T1	6x 4x30 WM1	17x 2x20 G1	8x 5x11 E1	



10▶



11▶



12▶

