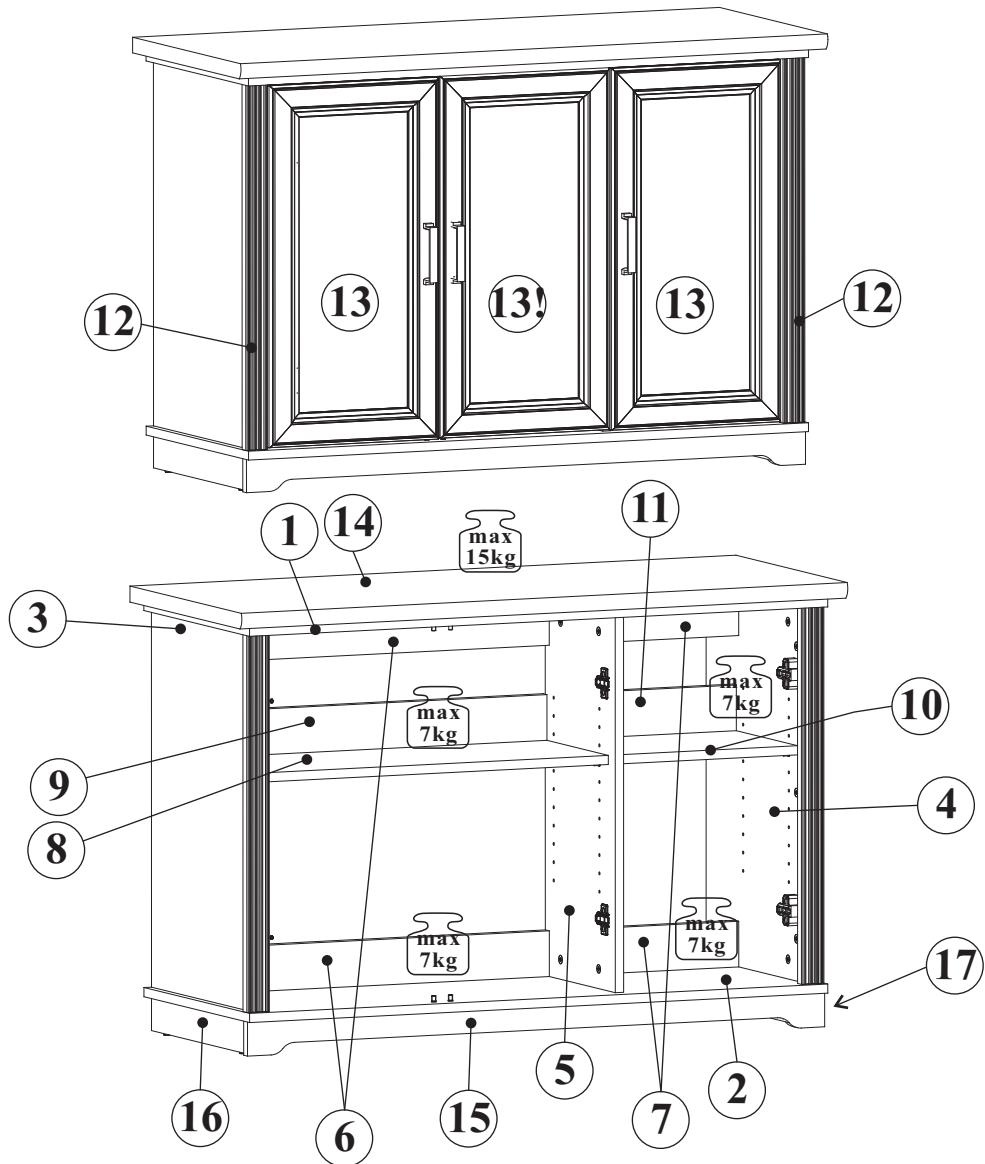
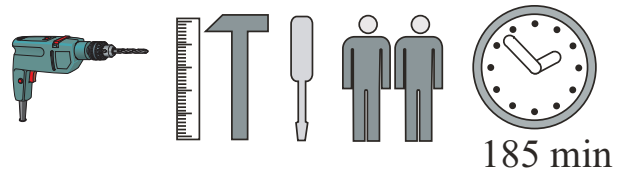
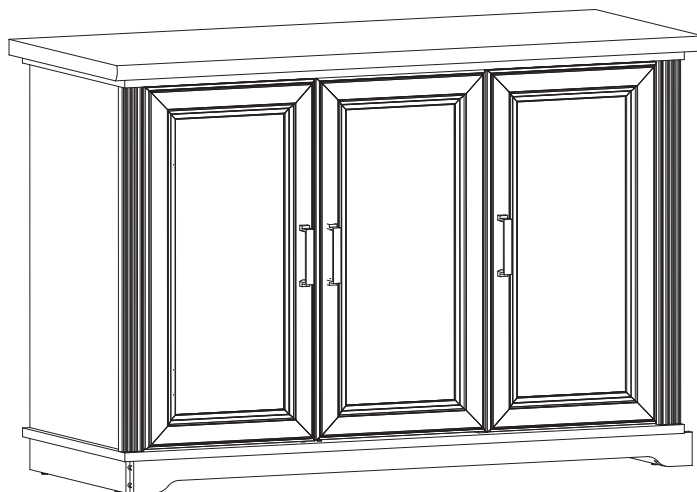
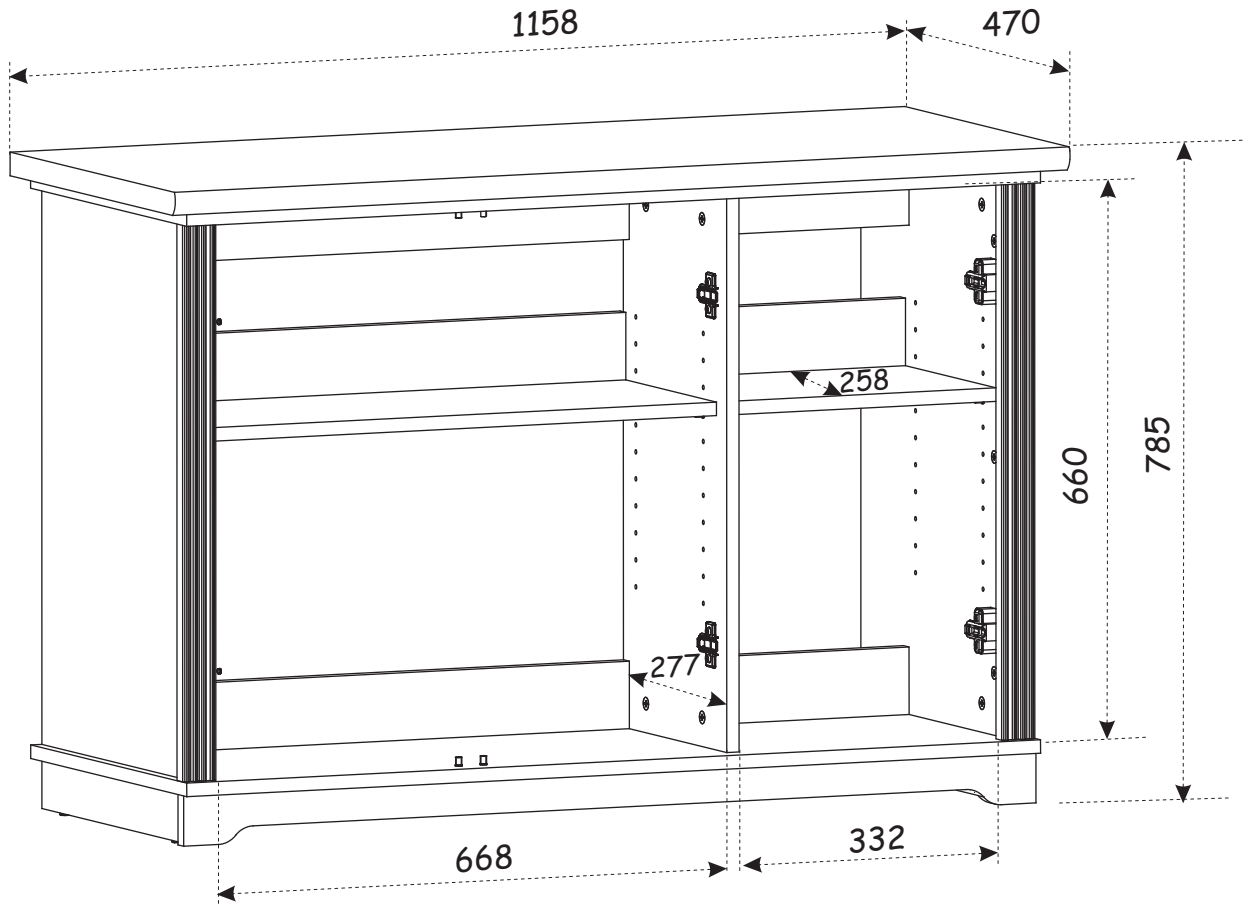


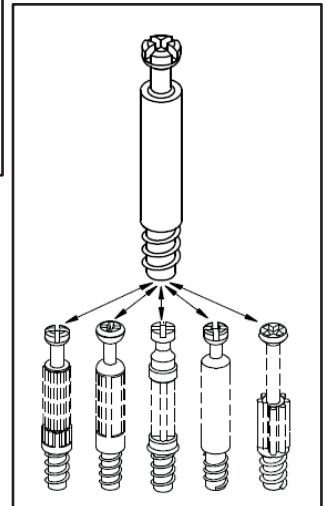
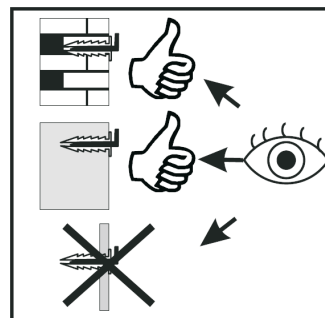
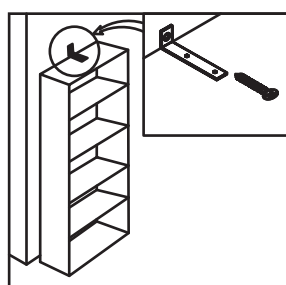
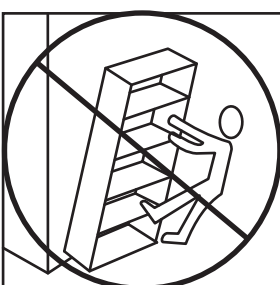
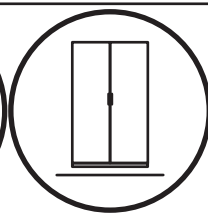
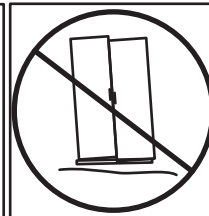
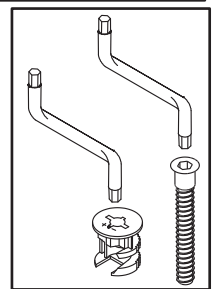
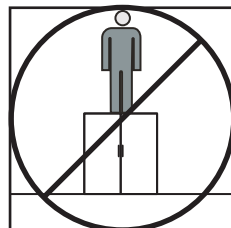
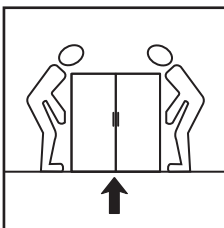
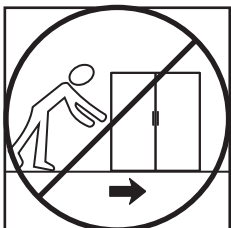
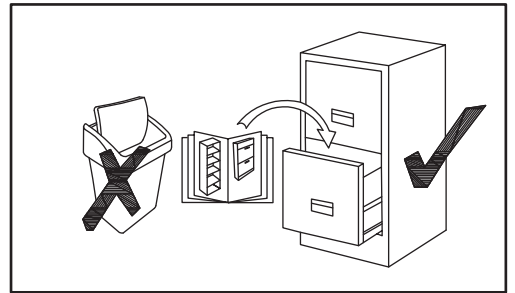
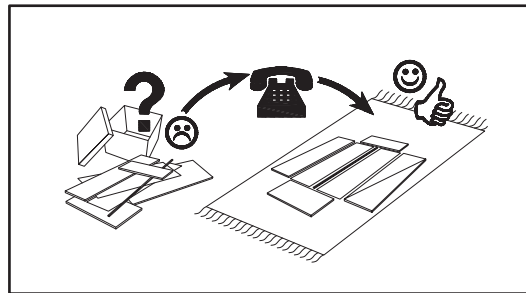
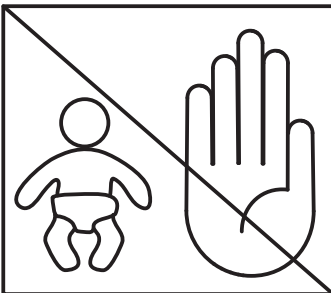
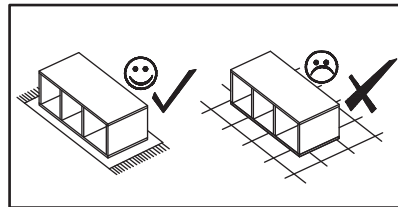
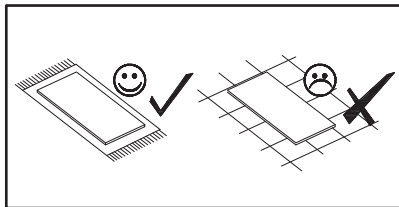
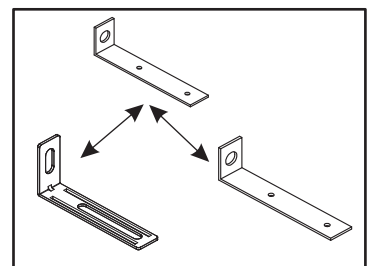
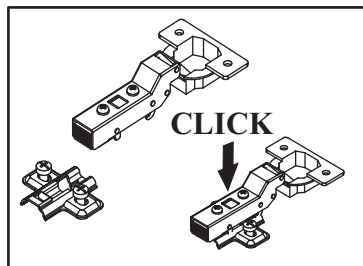
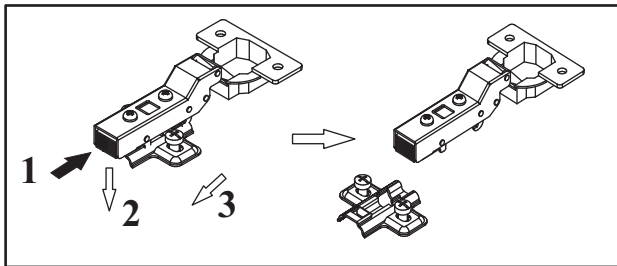
JASMIN 4144240.07



NO	Dim.		Col-No	Qty	
1	1105	444	1	2/2	1
2	1105	444	1	2/2	1
3	660	414	1	1/2	1
4	660	414	1	1/2	1
5	660	294	1	1/2	1
6	682	80	2	1/2	2
7	346	80	2	1/2	2
8	682	274	1	1/2	1
9	682	80	1	1/2	1
10	346	274	1	1/2	1
11	346	80	1	1/2	1
12	660	43	2	1/2	2
13	654	334	3	1/2	3
14	1158	470	1	2/2	1
15	1103	60	1	2/2	1
16	417	60	1	1/2	1
17	417	60	1	1/2	1

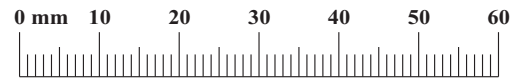




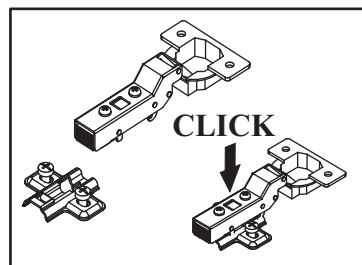
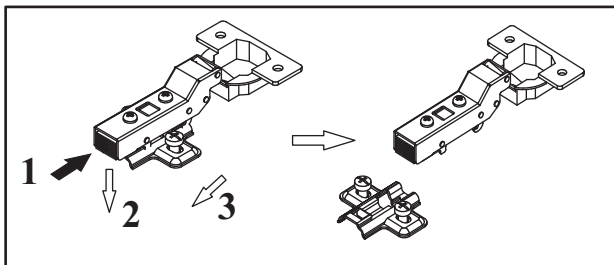


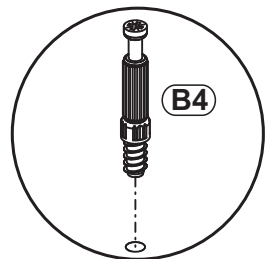
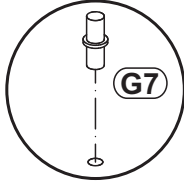
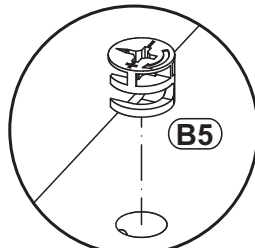
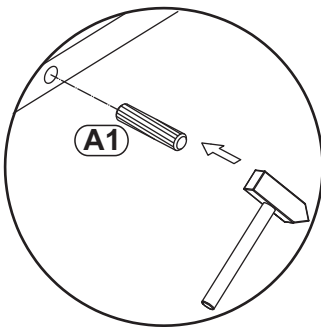
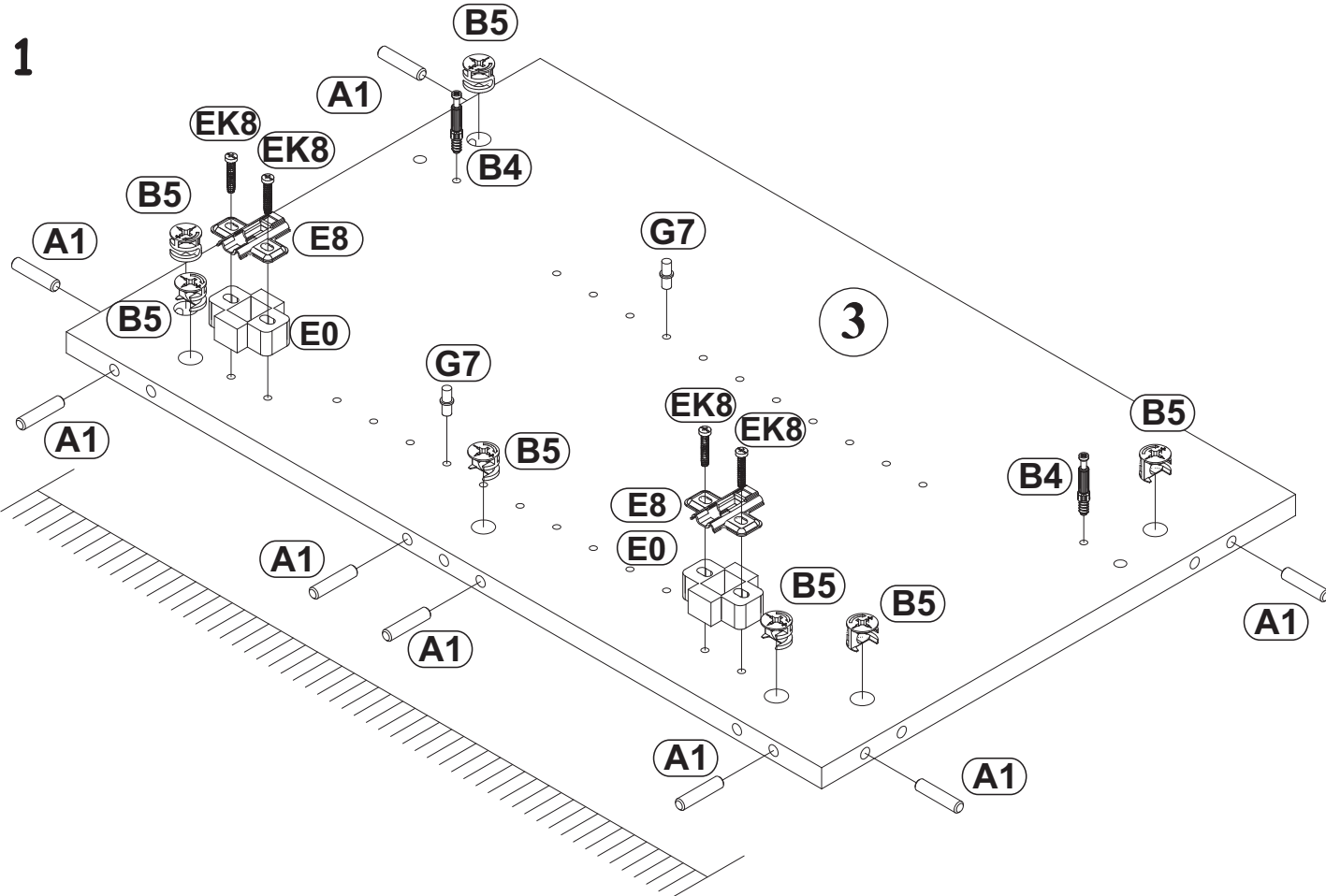
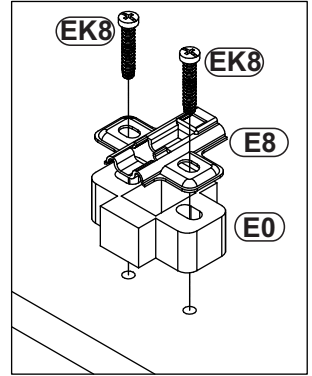
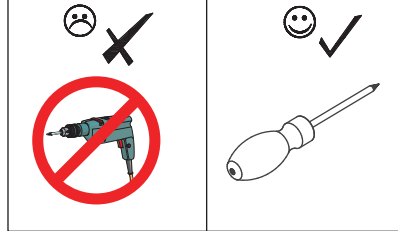
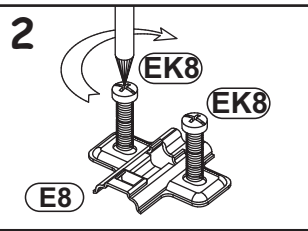
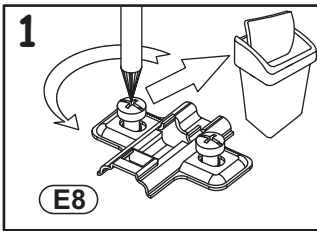
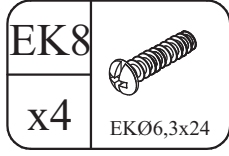
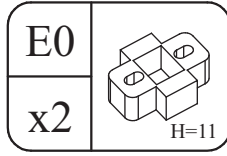
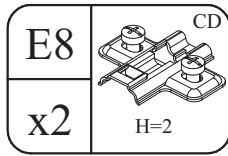
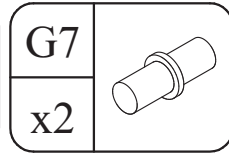
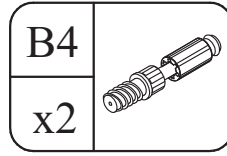
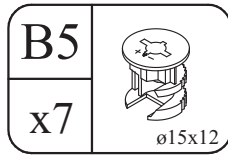
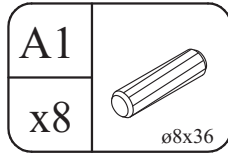
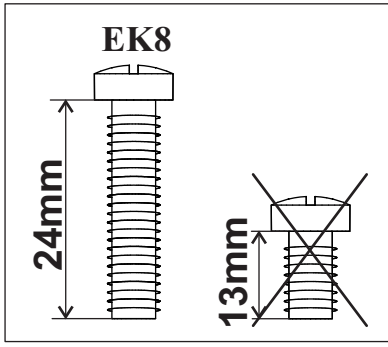
JASMIN 4144240.07

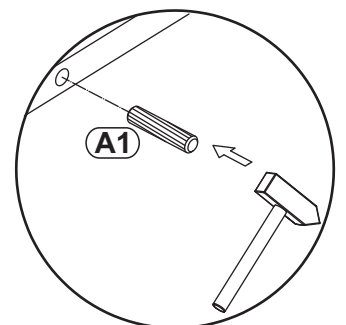
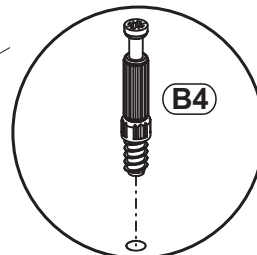
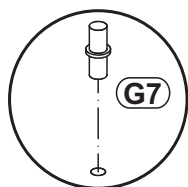
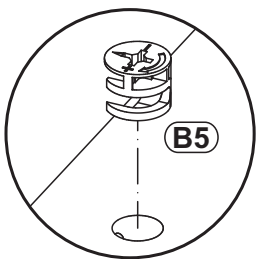
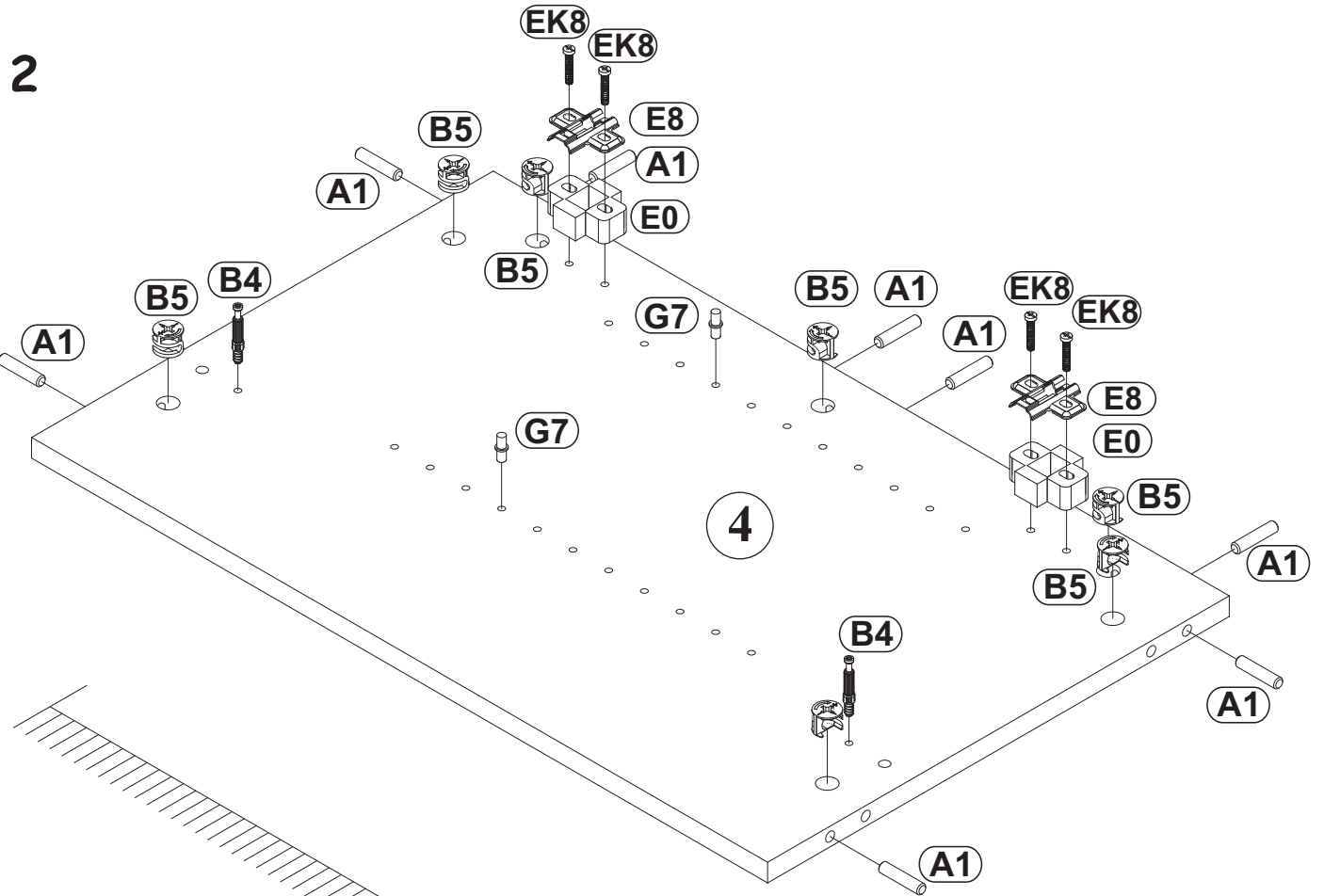
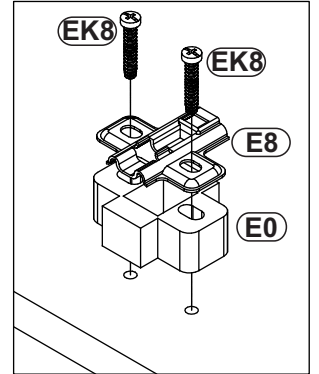
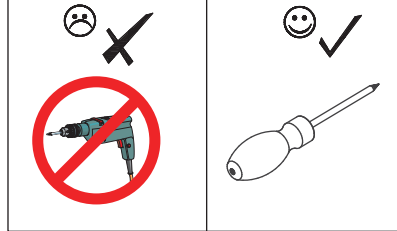
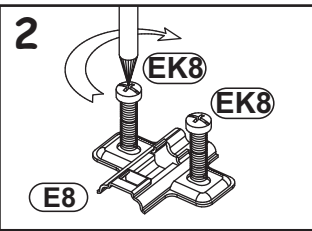
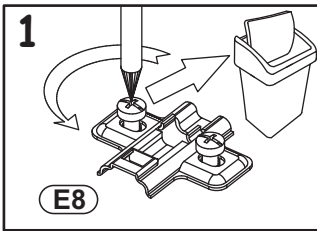
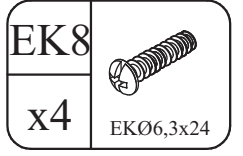
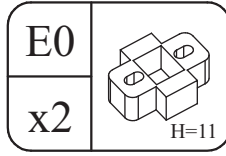
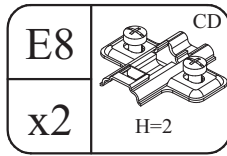
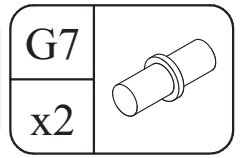
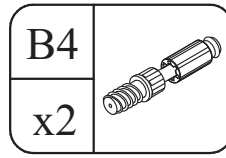
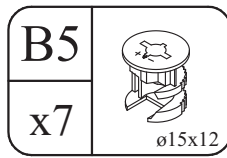
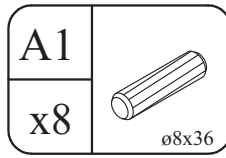
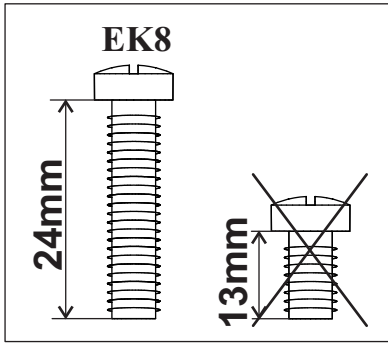
A1 x32 ø8x36	B4 x22	B5 x26 ø15x12	G5 x26 M	L1 x2	KR1 x2
E17 x4 Ø35 H=16	UP6 x6 UPØ4x30	E0 x4 H=11	EK8 x8 EKØ6,3x24	E9 x2 Ø35 CD H=8	E8 x6 CD H=2
C19 x3	D4 x6 M4x30	G7 x8	G20 x4	I2 x4	KM1 x3
B11 x9 Ø7x50	G4 x5 C	D10 x22 USØ3,5x13	G2 x1	B6 x2 Ø7x76	



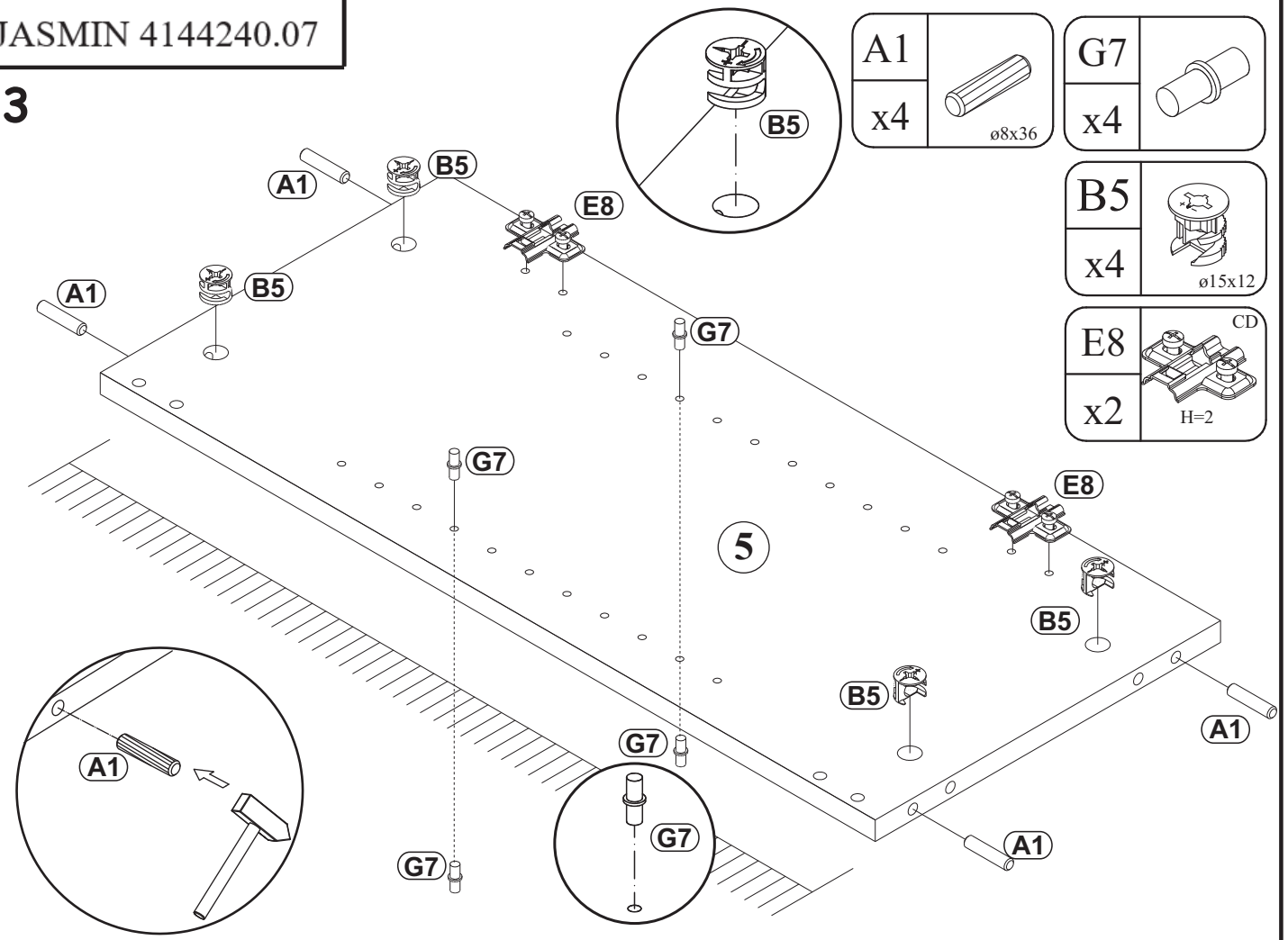
E17 x4 Ø35 H=16	E9 x2 Ø35 CD H=8	E8 x6 CD H=2
--------------------------	------------------------------	-----------------------







3



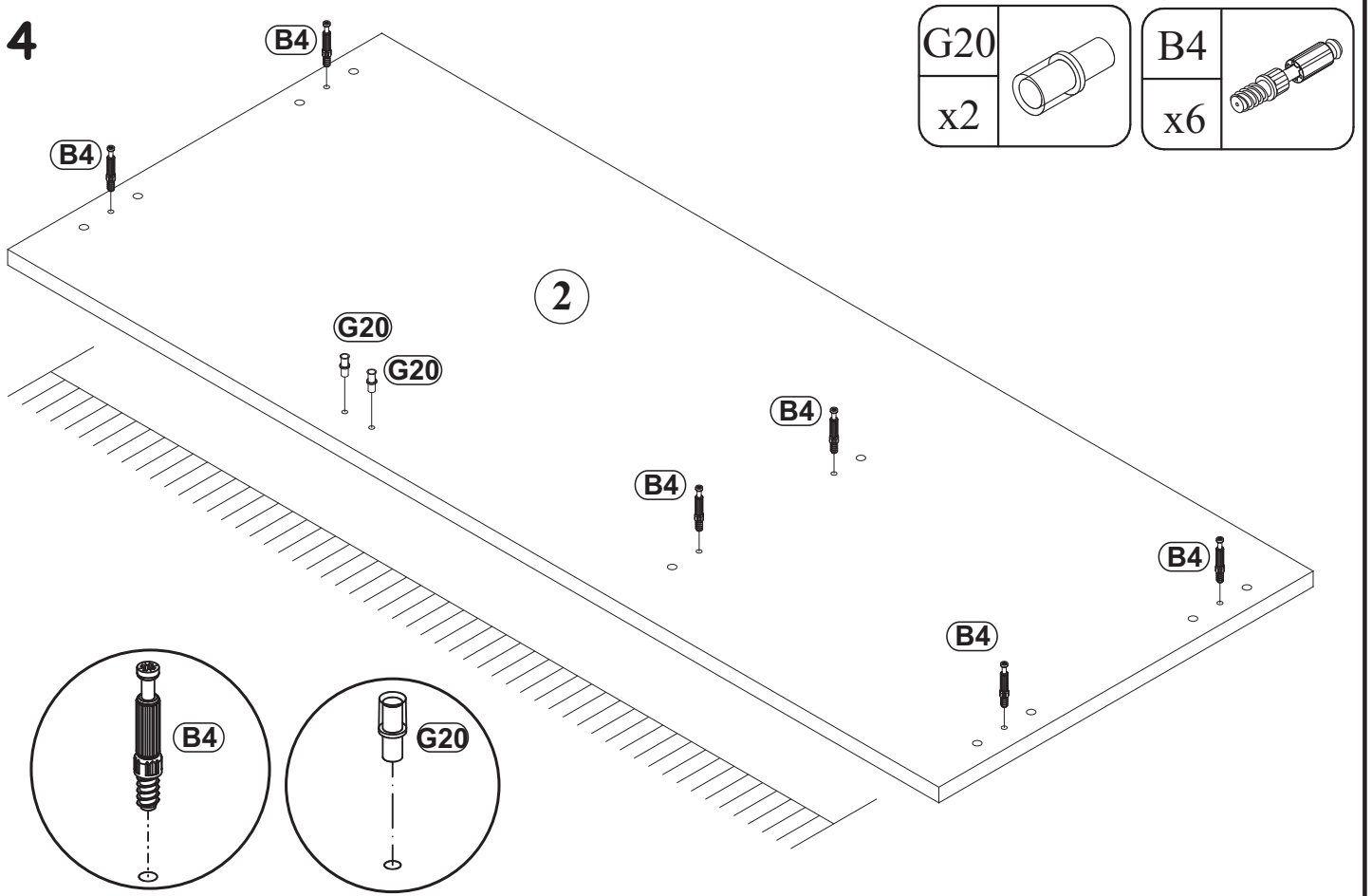
A1	
x4	ø8x36

G7	
x4	

B5	
x4	ø15x12

E8	
x2	CD H=2

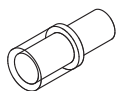
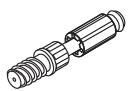
4

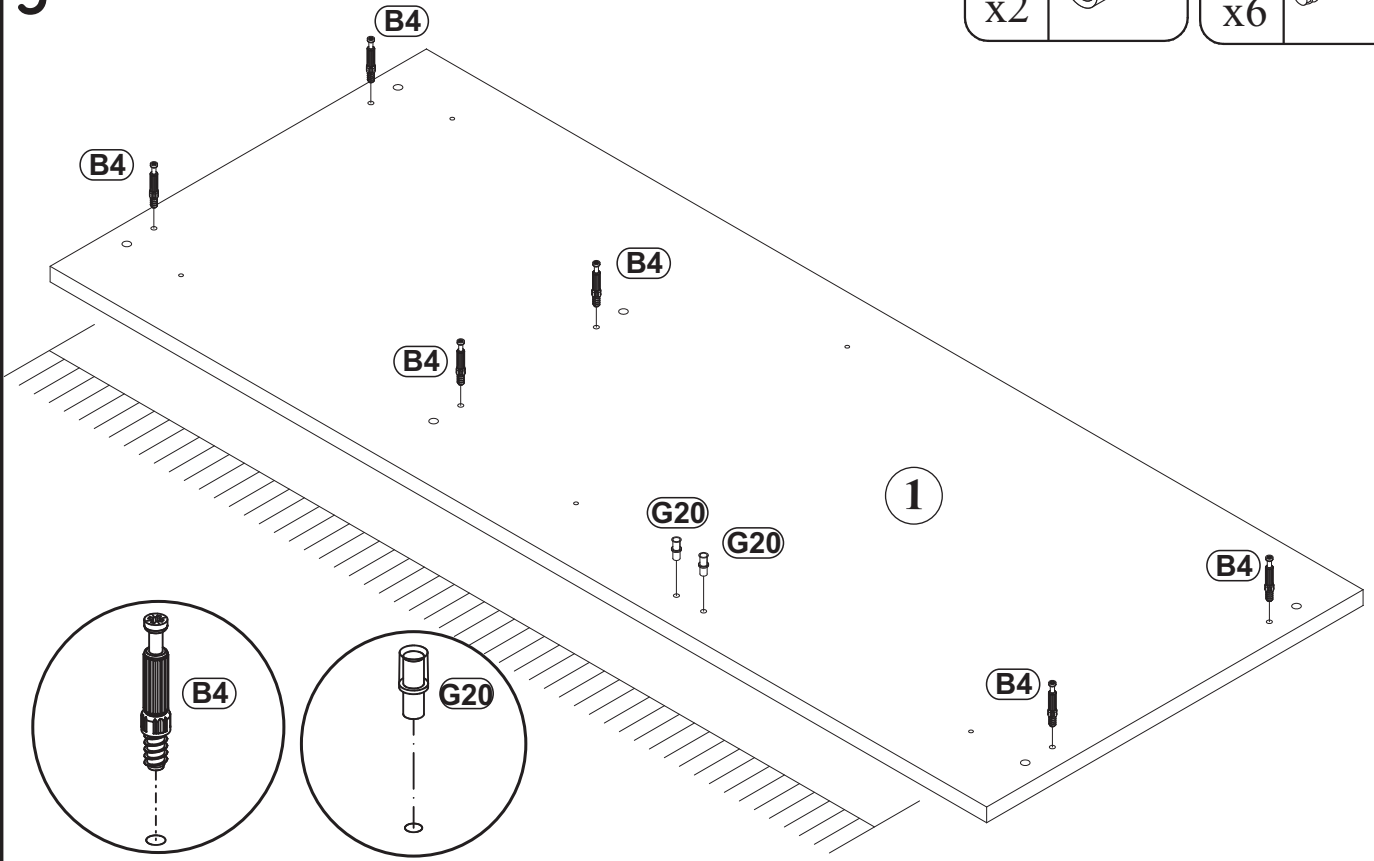


G20	
x2	

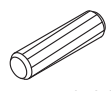
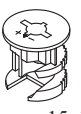
B4	
x6	

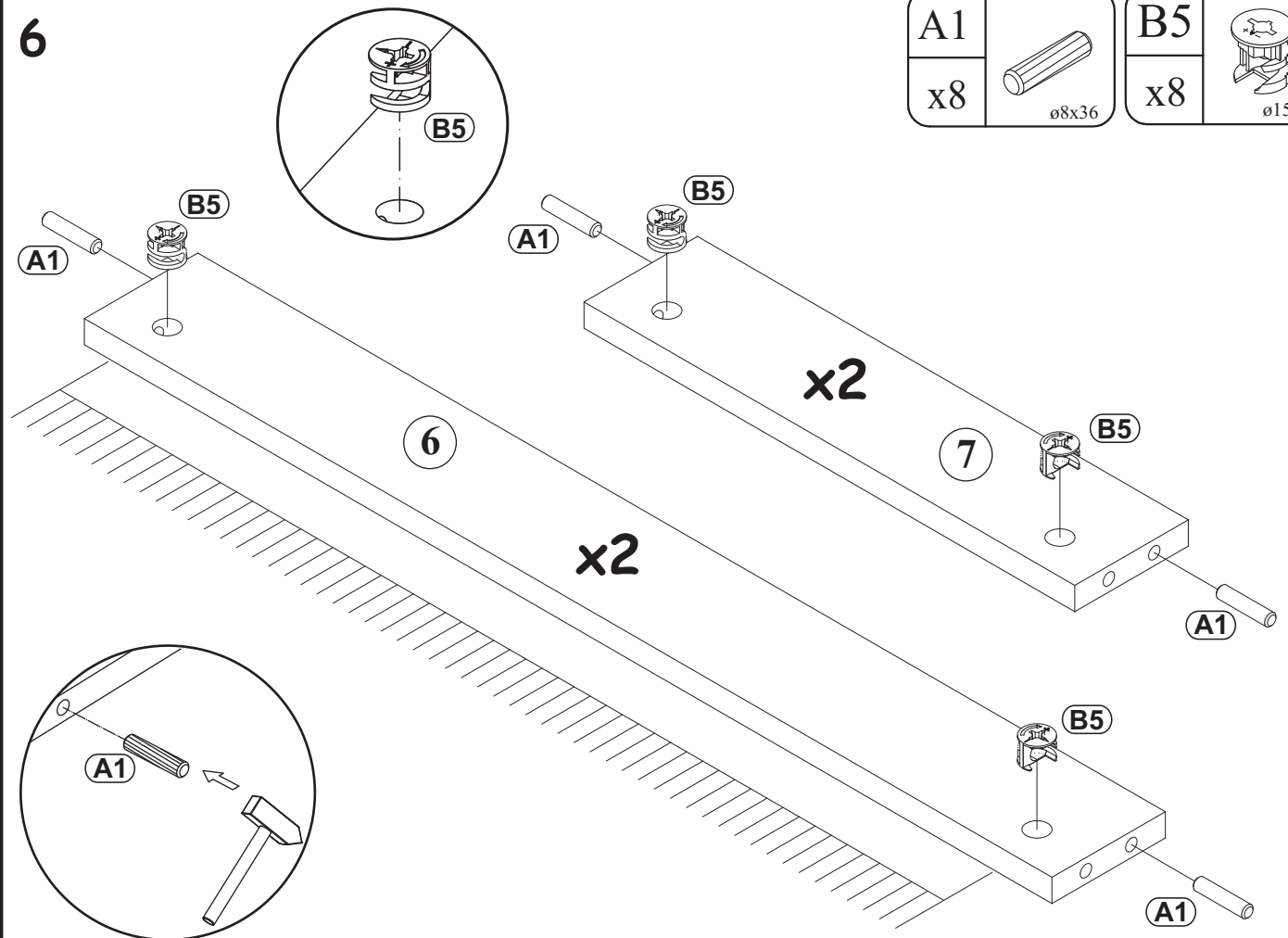
5

G20		B4	
x2		x6	

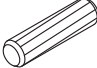



6

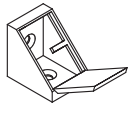
A1		B5	
x8	ø8x36	x8	ø15x12

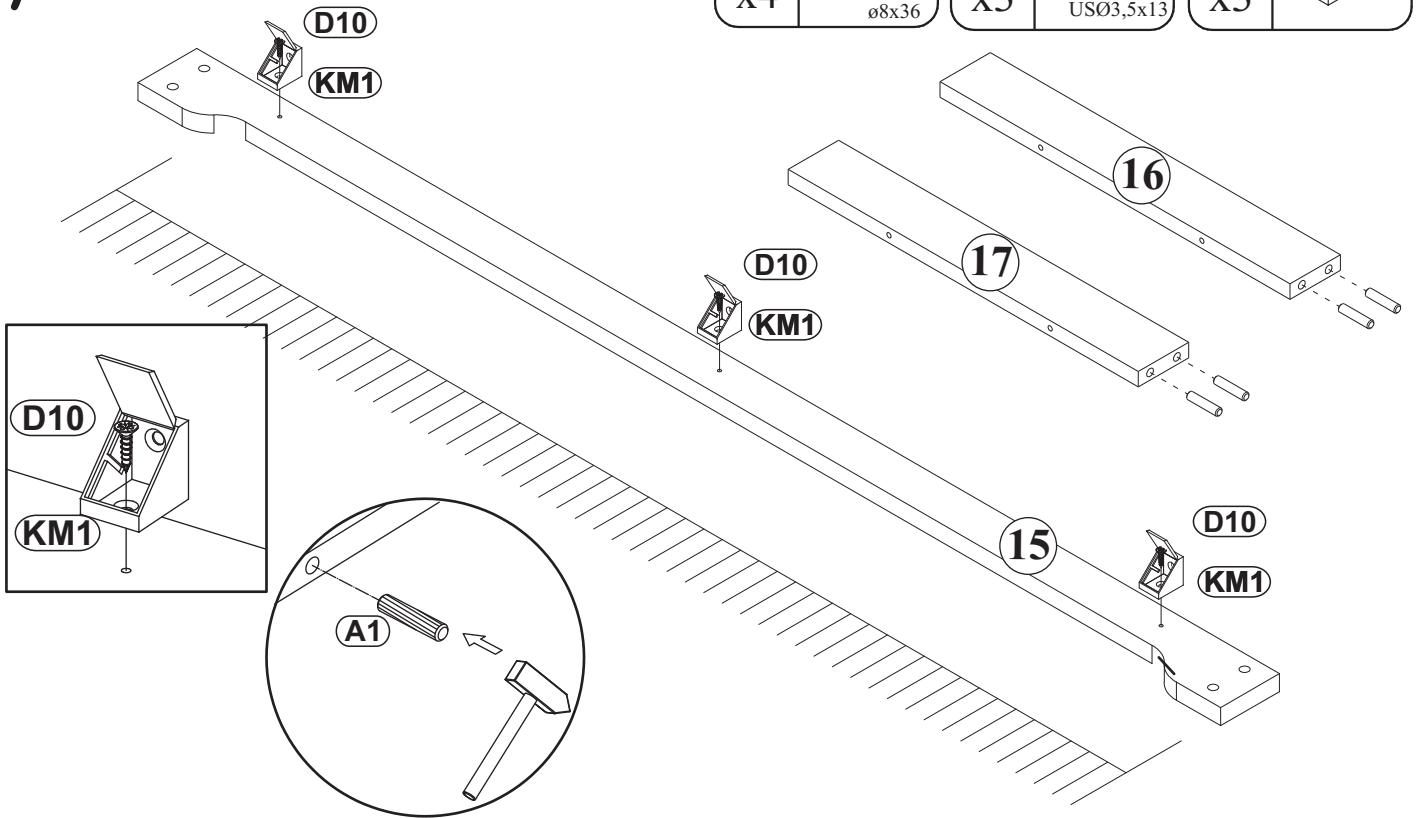


7

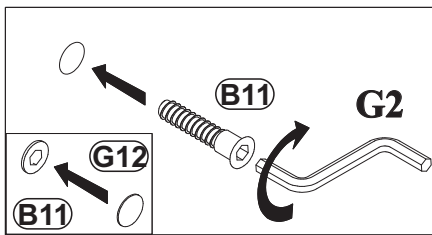
A1	
x4	ø8x36


D10	
x3	USØ3,5x13


KM1	
x3	

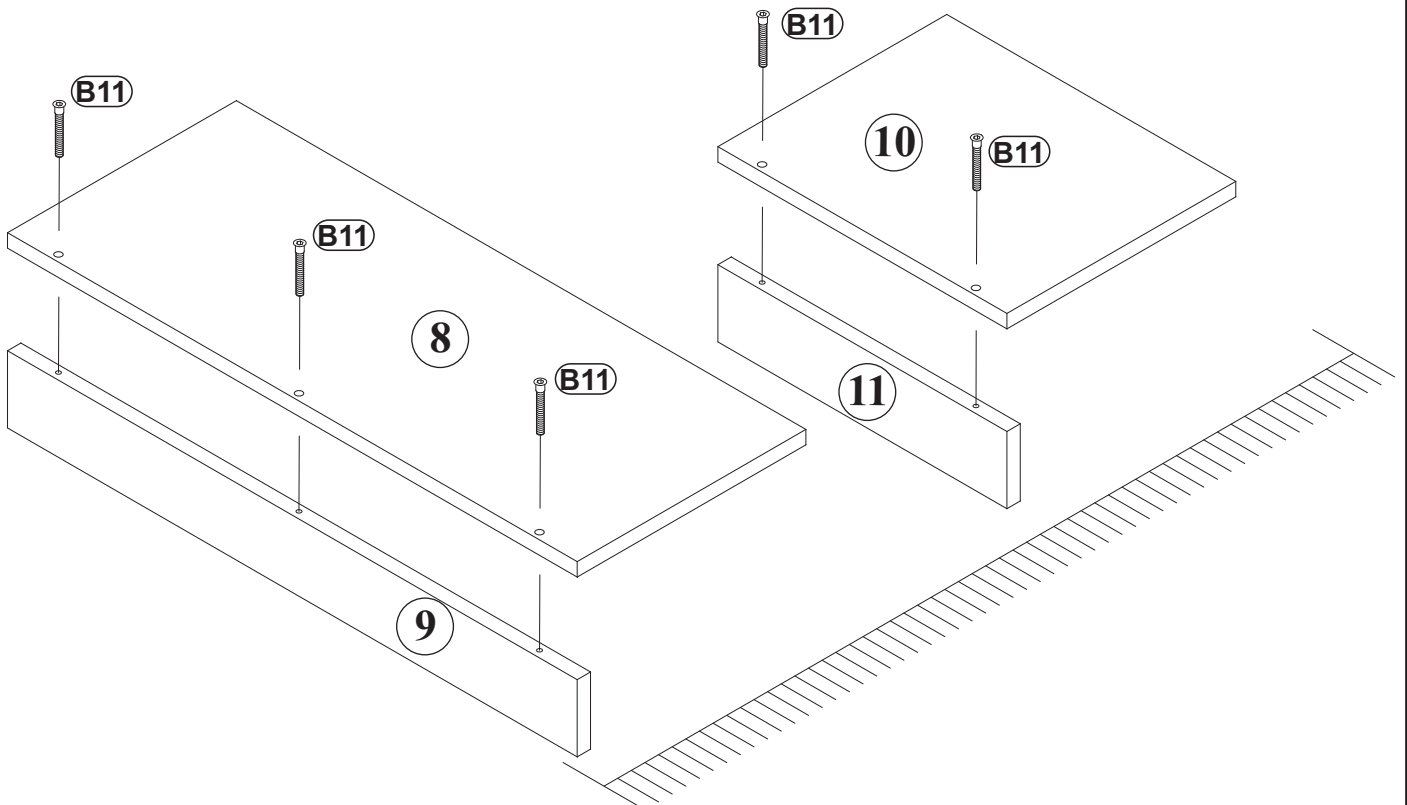


8



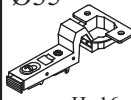
G4	
x5	c


B11	
x5	Ø7x50



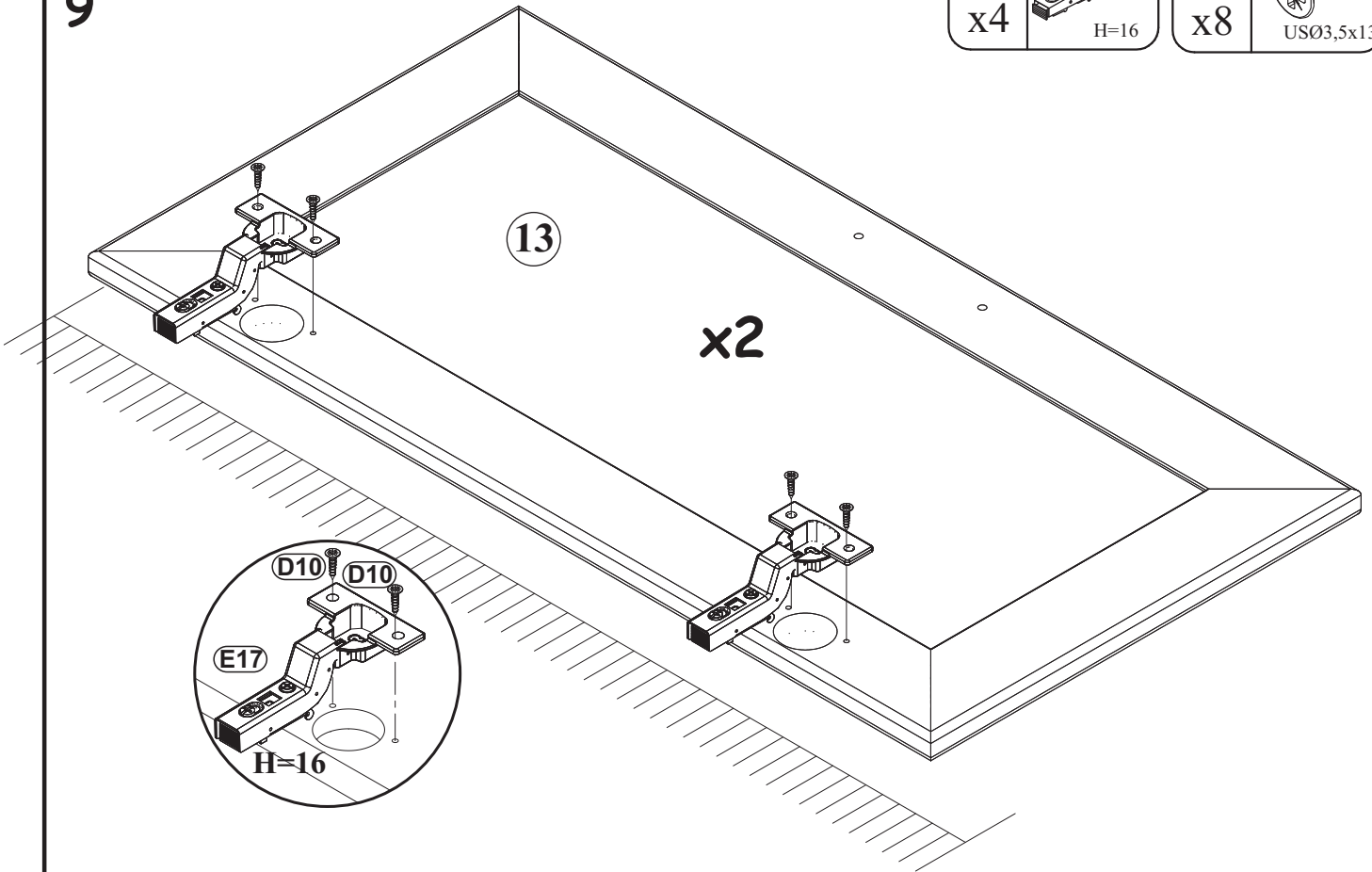
9

E17	Ø35
x4	H=16



D10	
x8	

USØ3,5x13

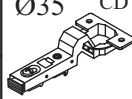



10

!!!

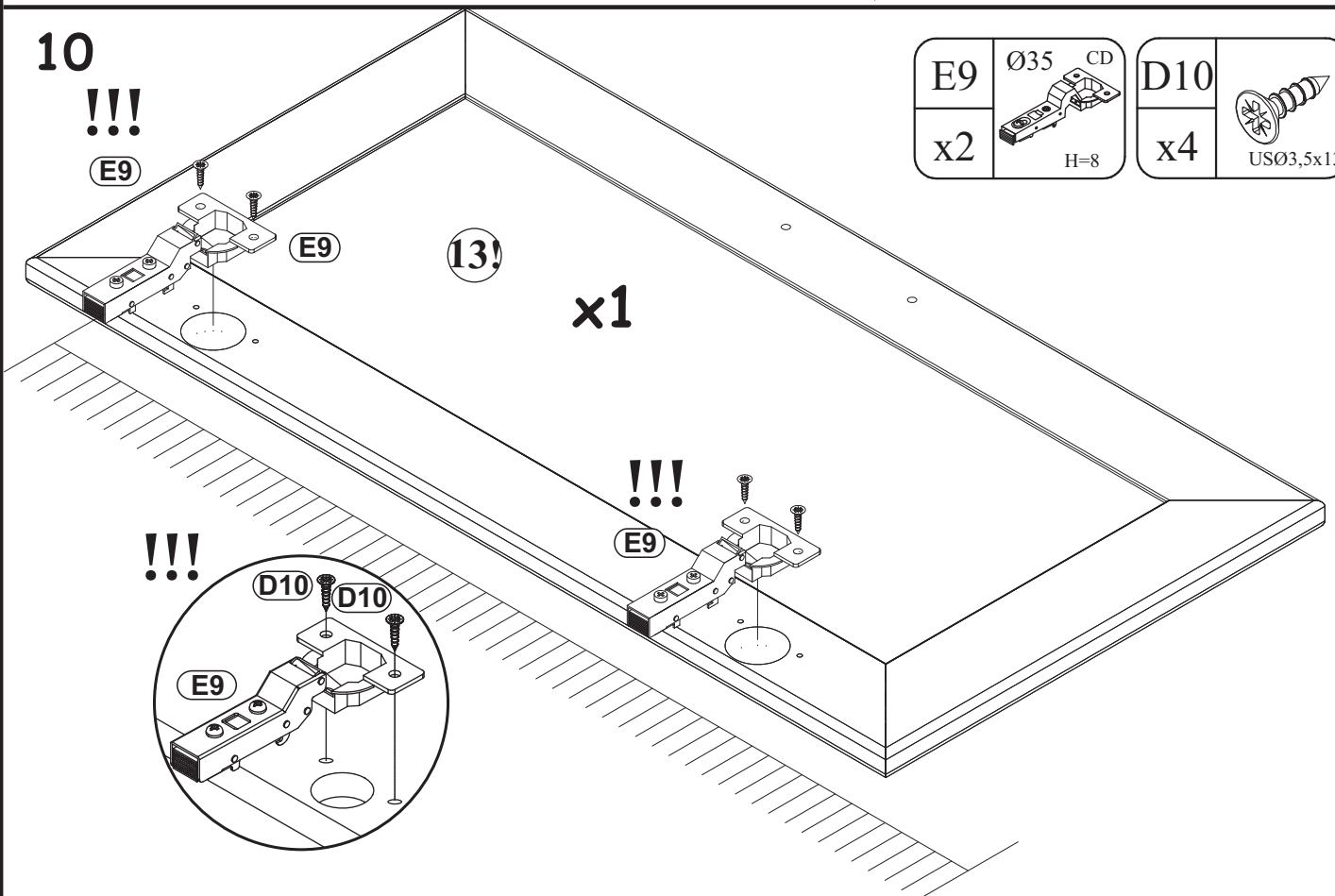
E9

E9	Ø35 CD
x2	H=8

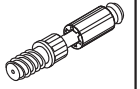


D10	
x4	

USØ3,5x13

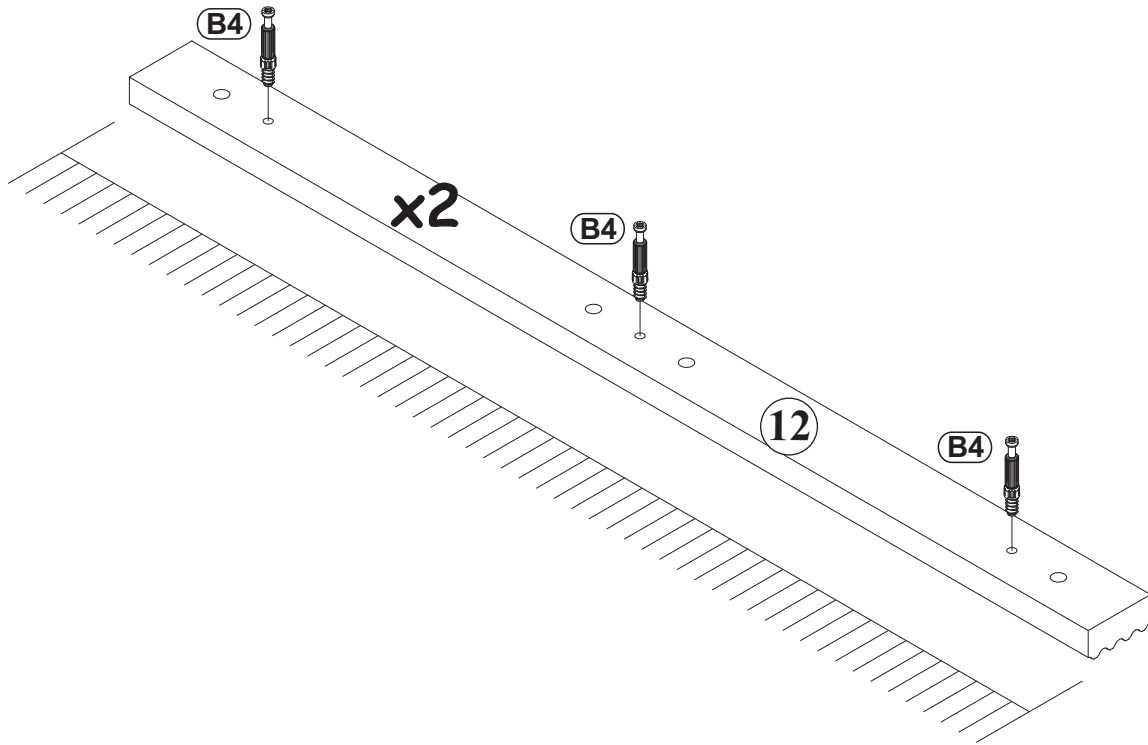


B4

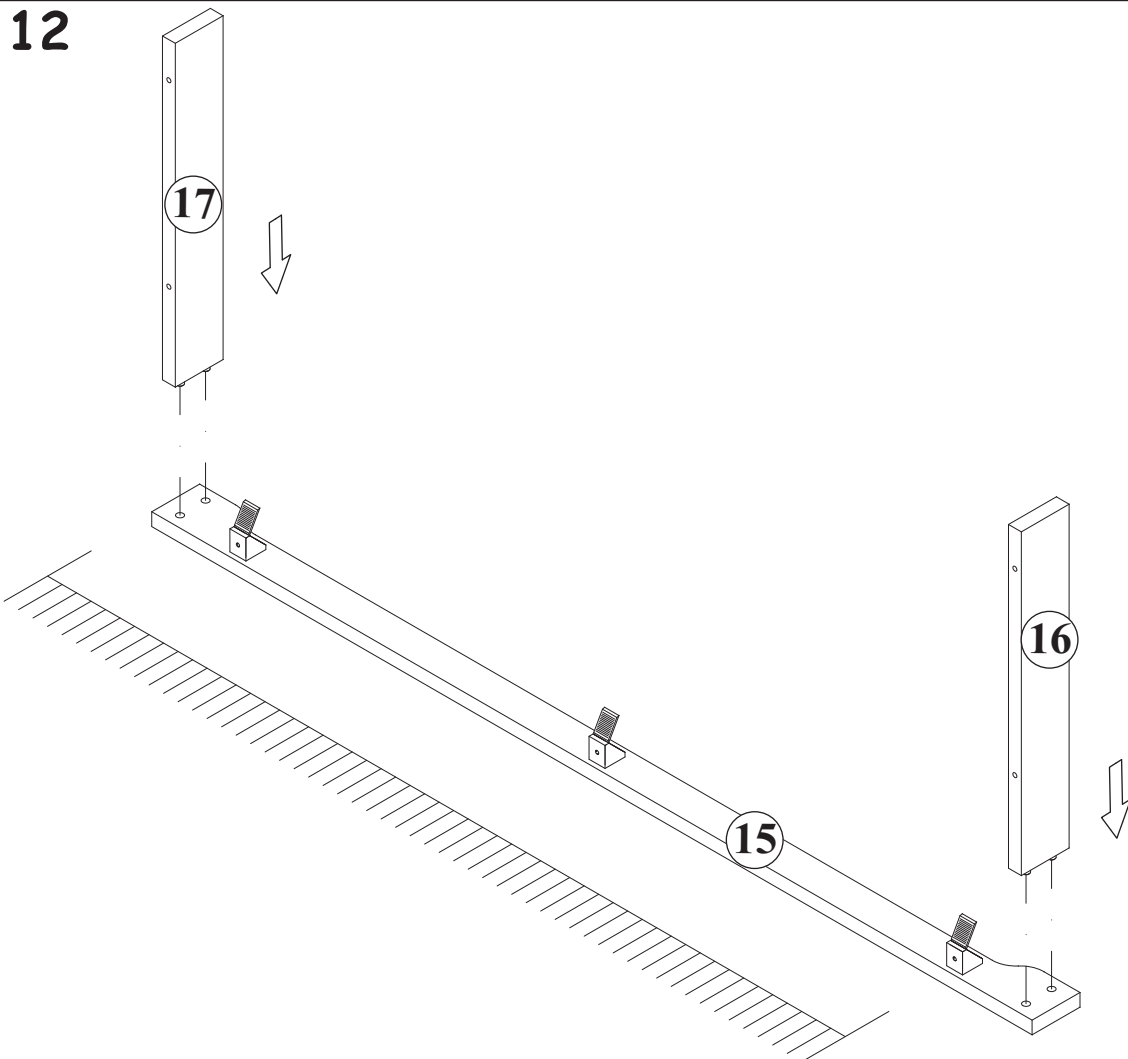


x6

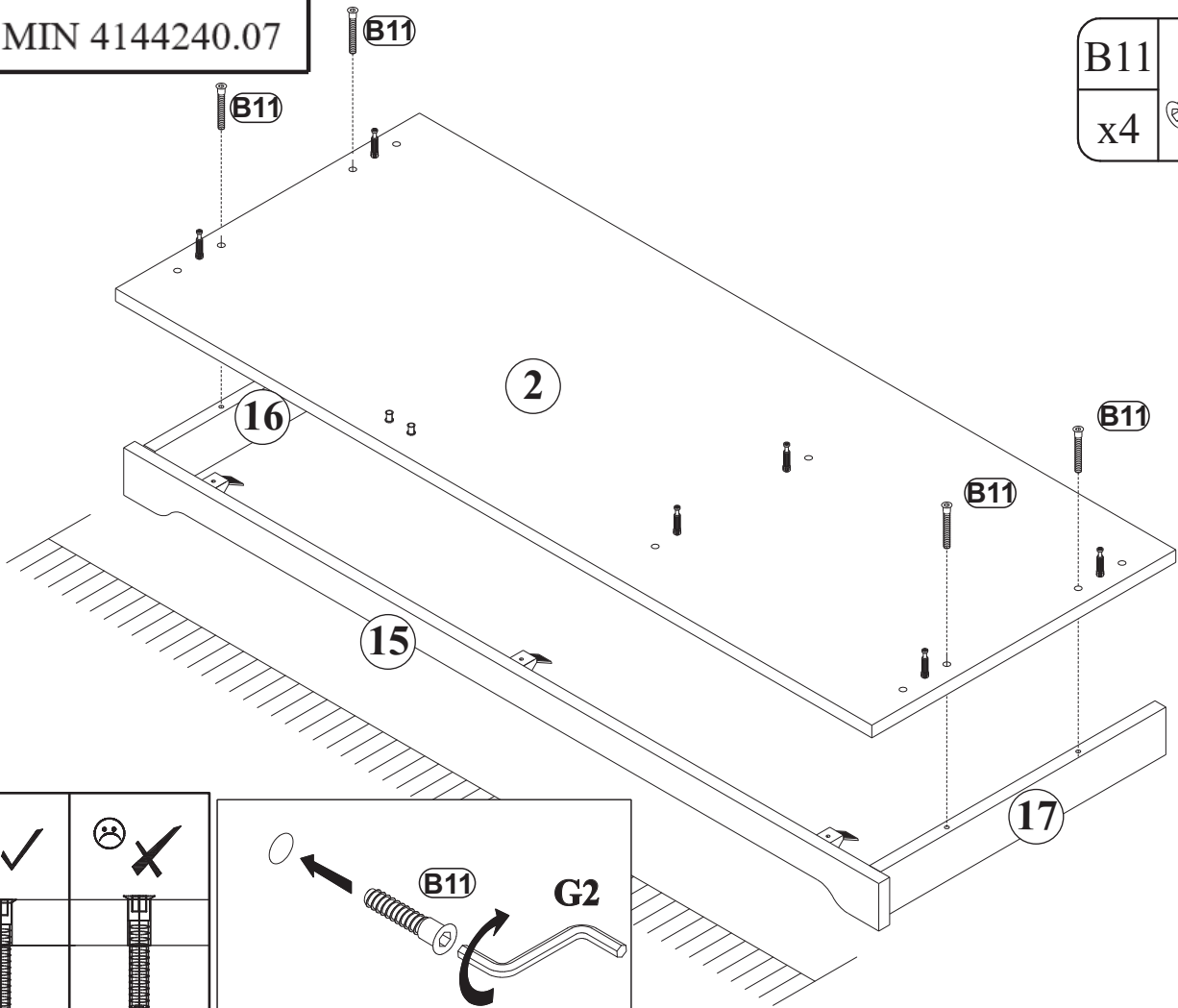
11




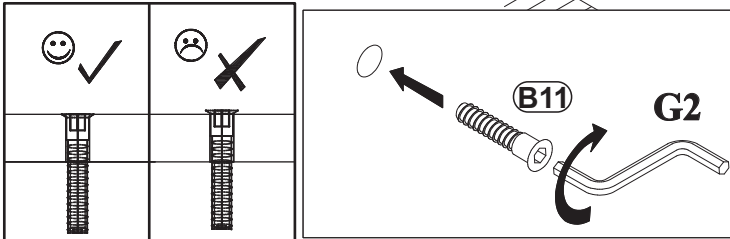
12



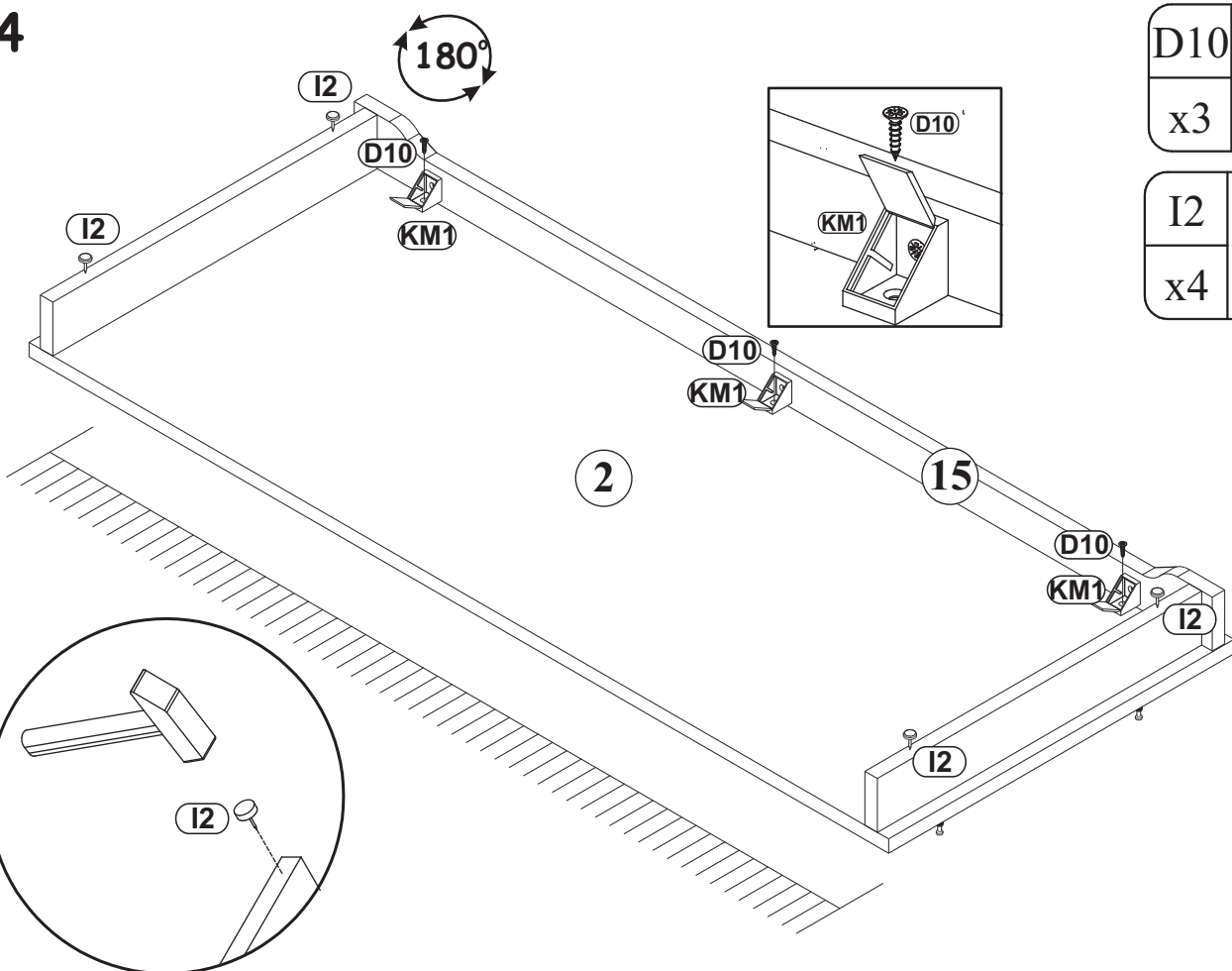
13

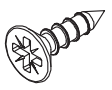


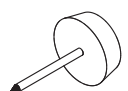
B11	
x4	Ø7x50



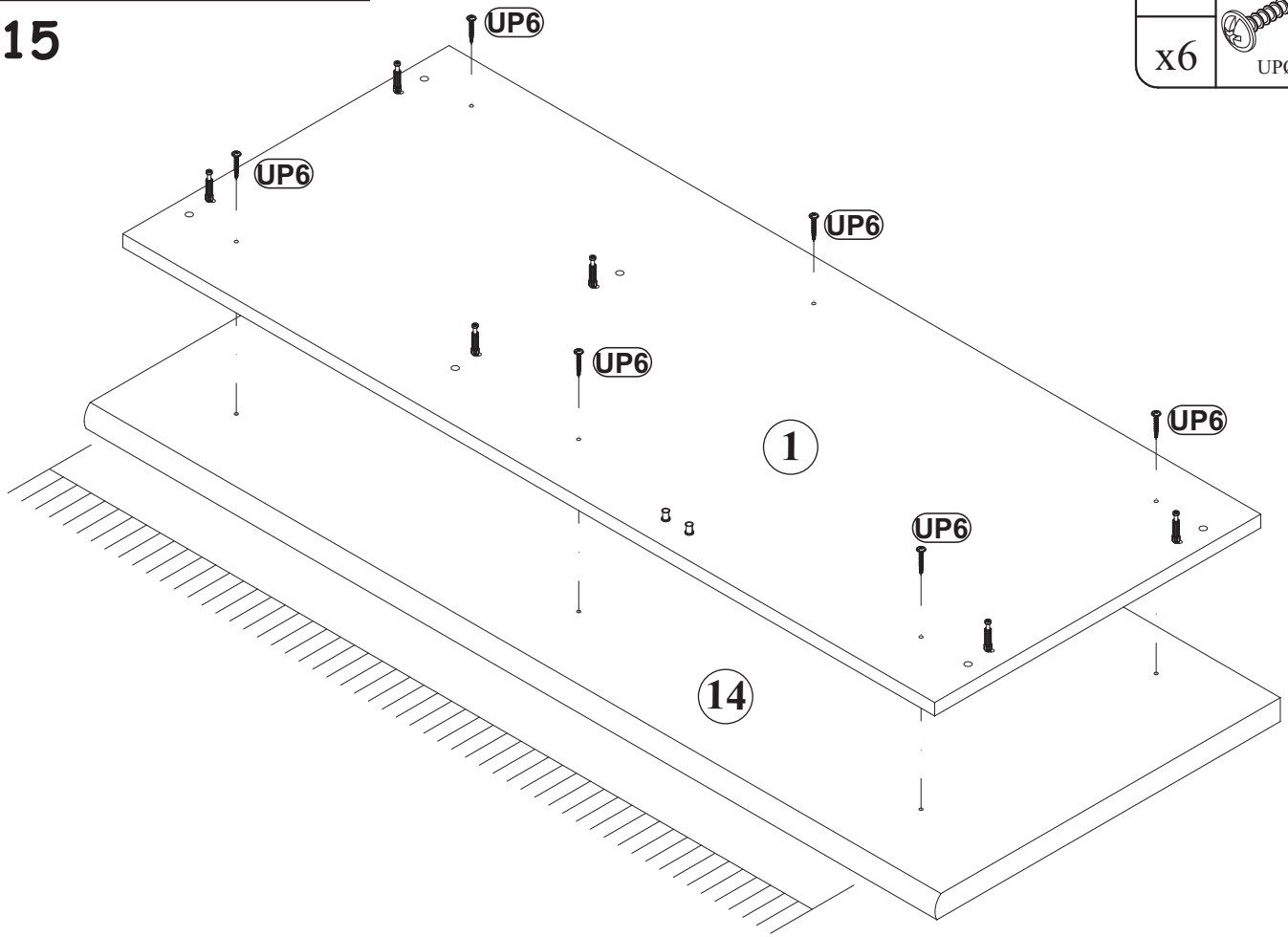
14




D10	
x3	USØ3,5x13

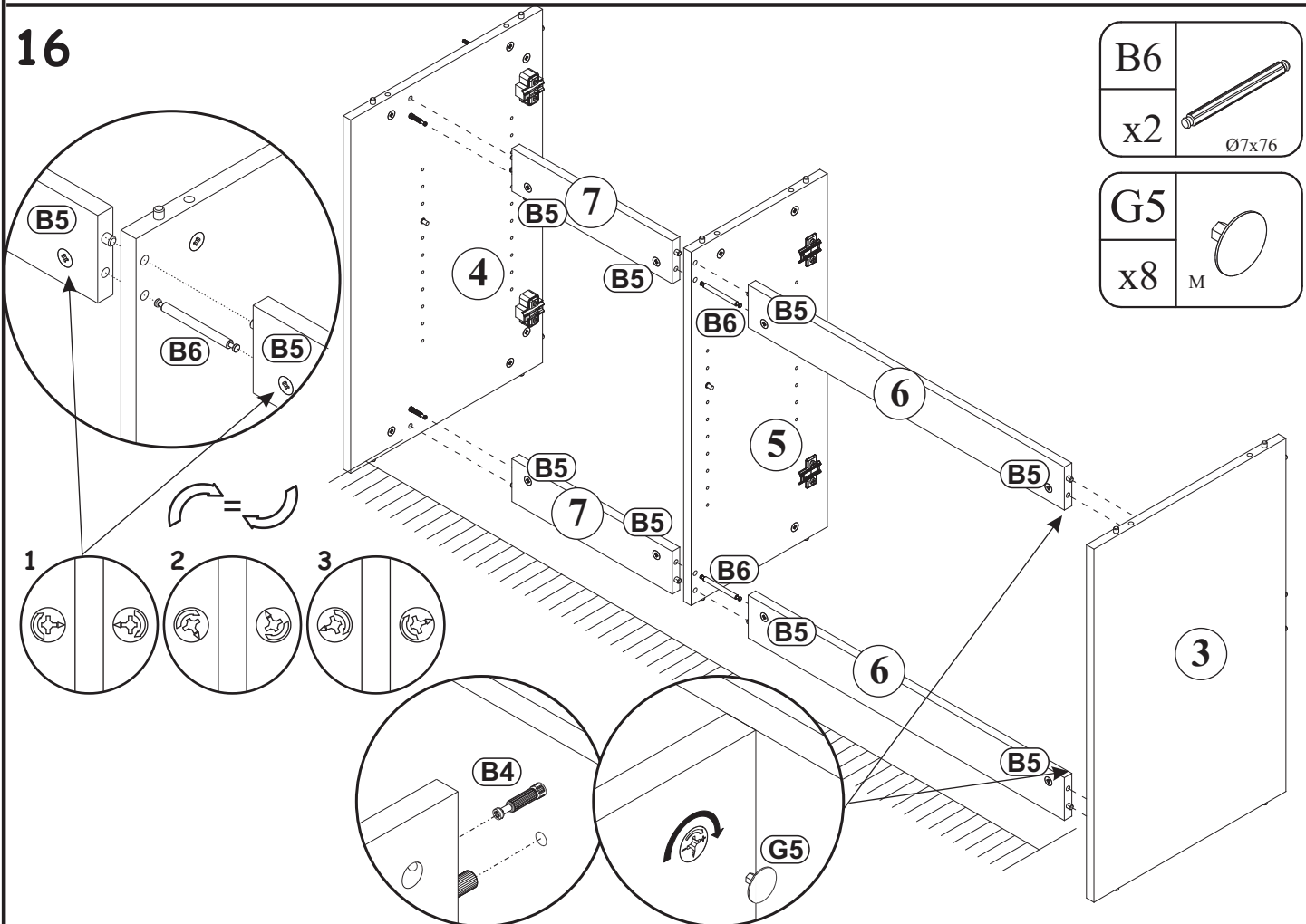
I2	
x4	


15




UP6	
x6	UPØ4x30

16



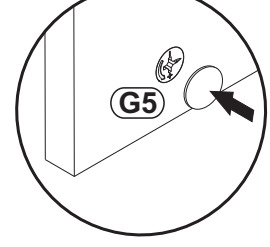
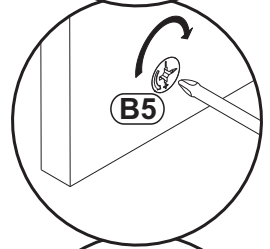
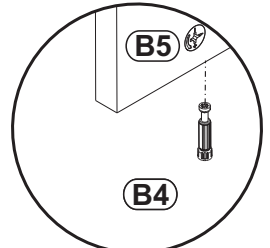
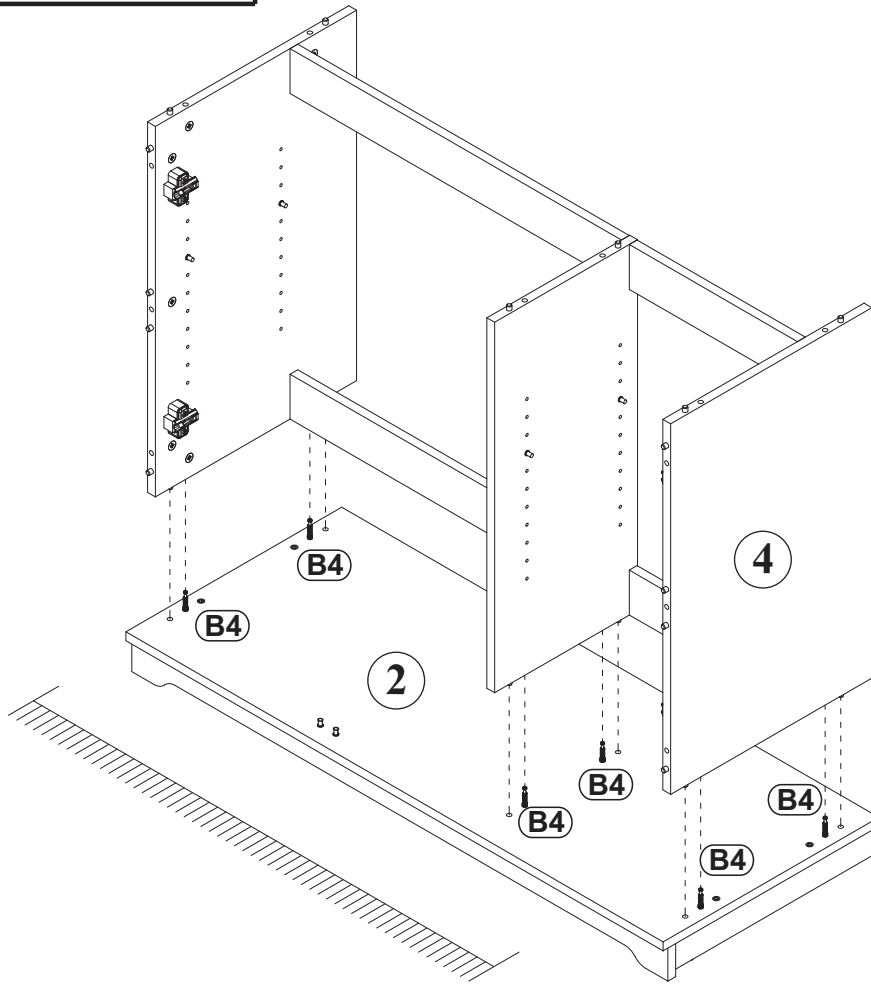
B6	
x2	Ø7x76

G5	
x8	M

17

G5

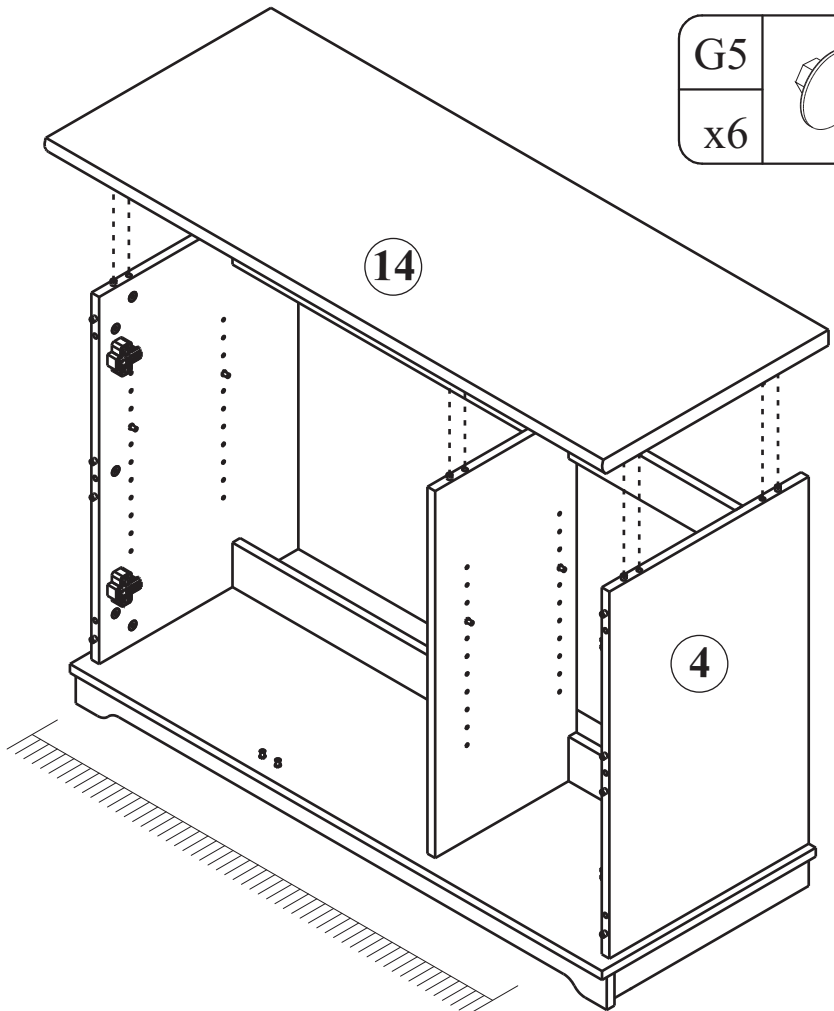
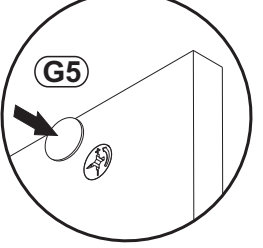
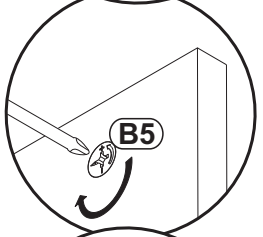
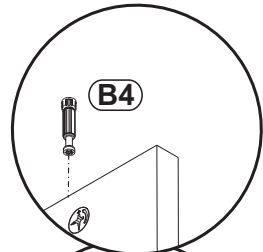
x6




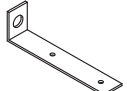
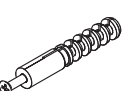
18

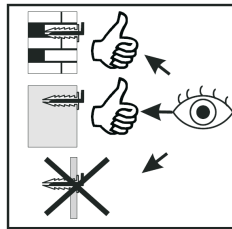
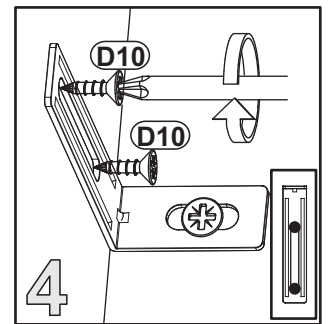
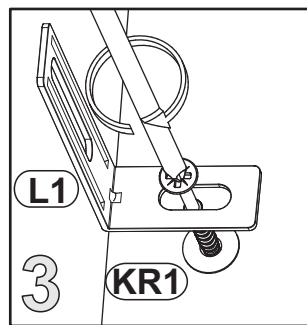
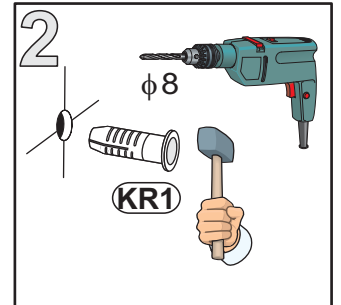
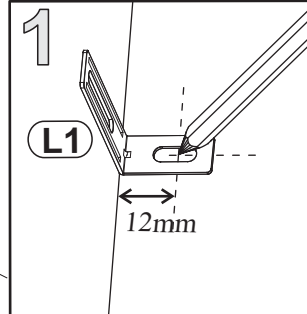
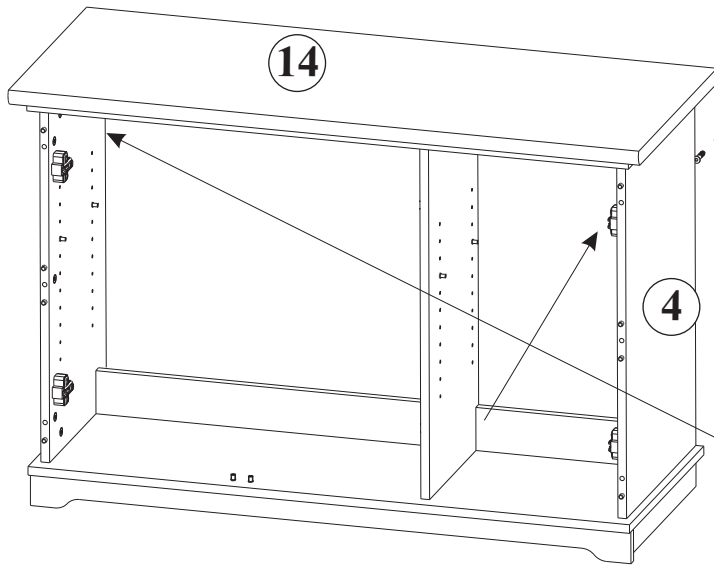
G5

x6

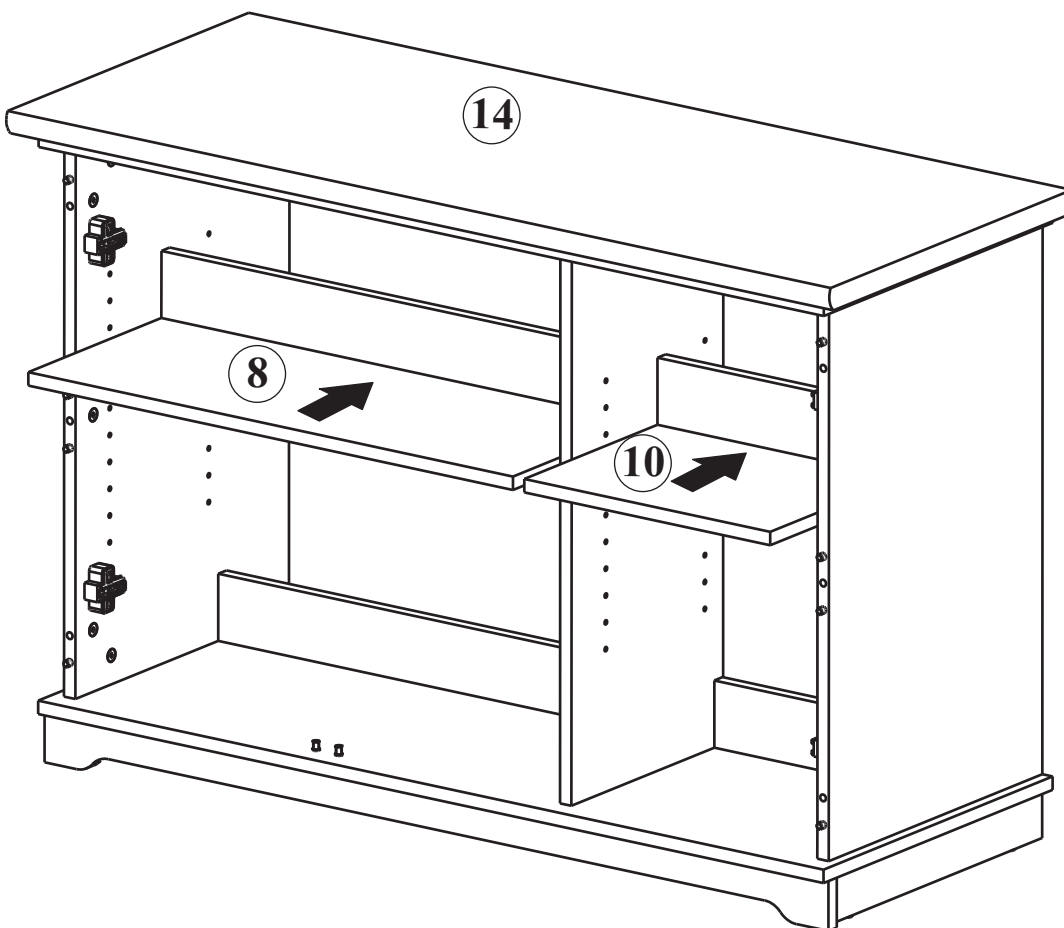



19

D10		L1		KR1	
x4	USØ3,5x13	x2		x2	Ø8

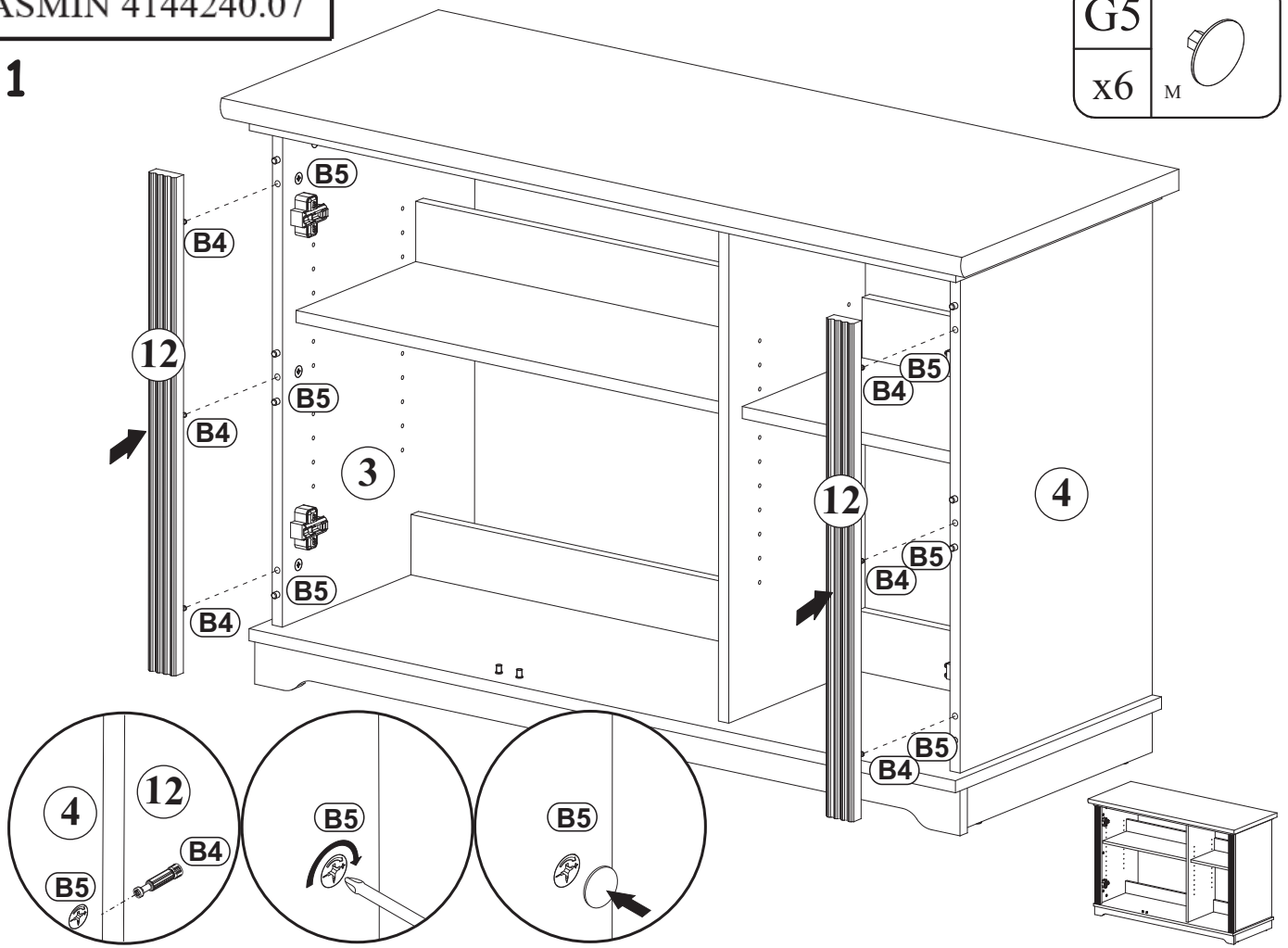


20

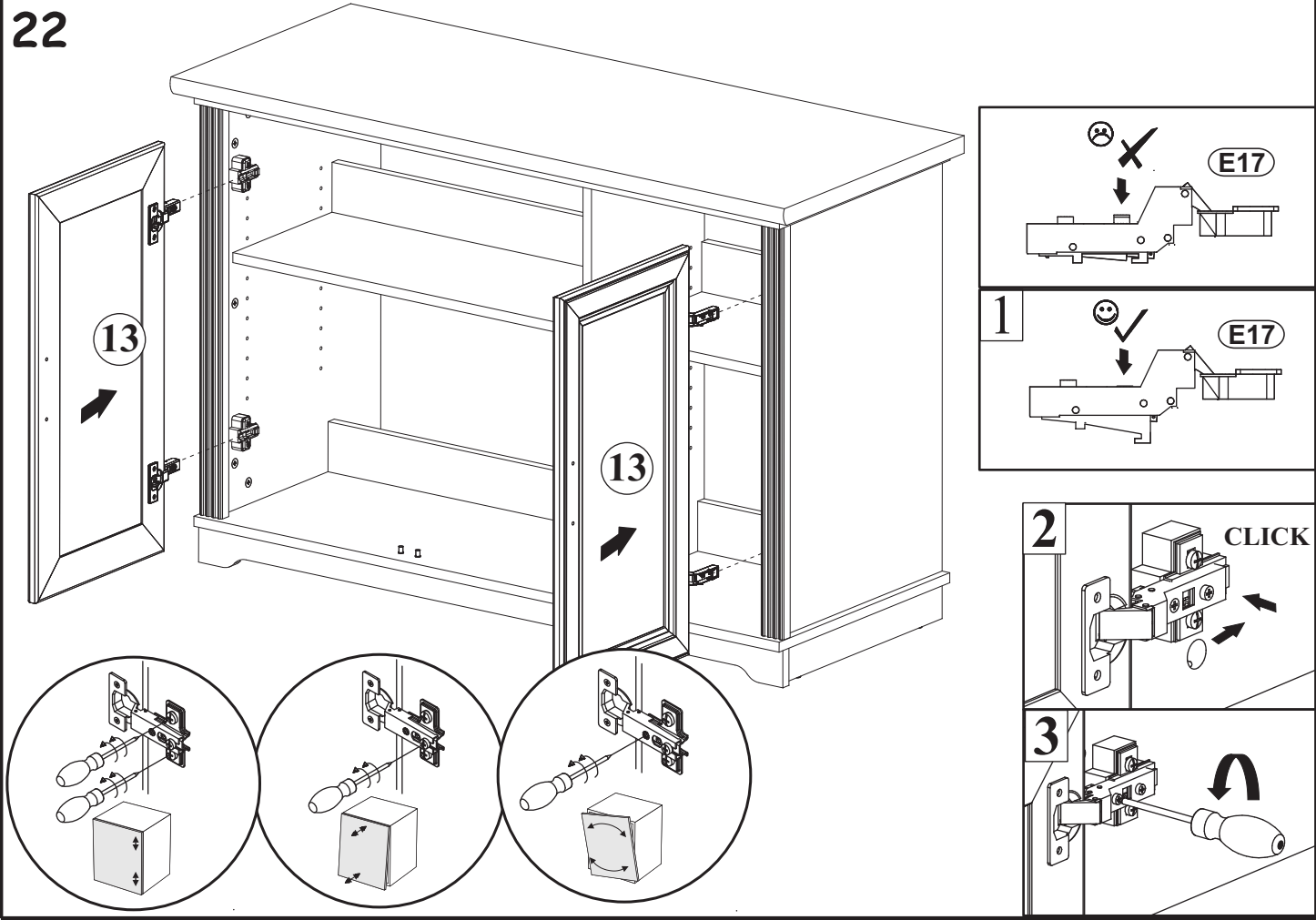


G5	
X6	M

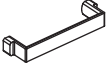
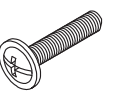
21

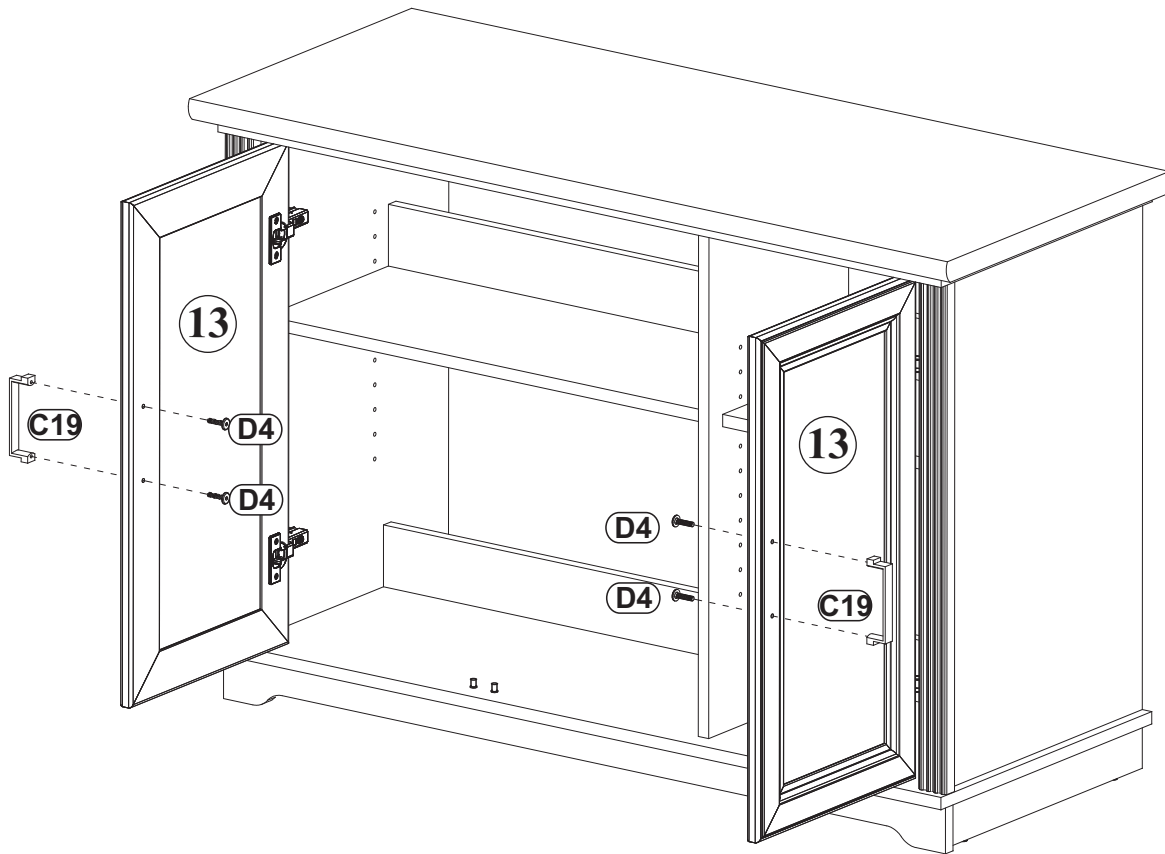


22



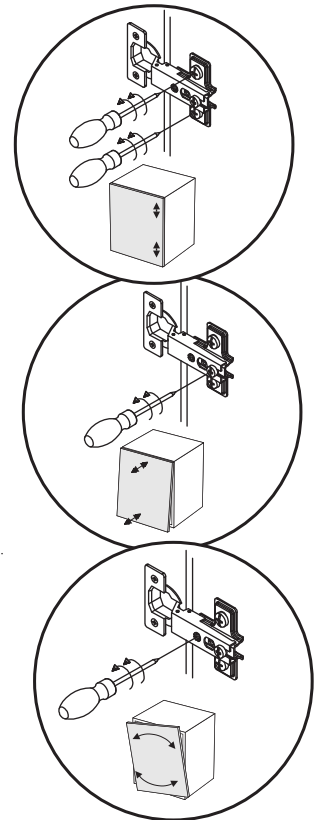
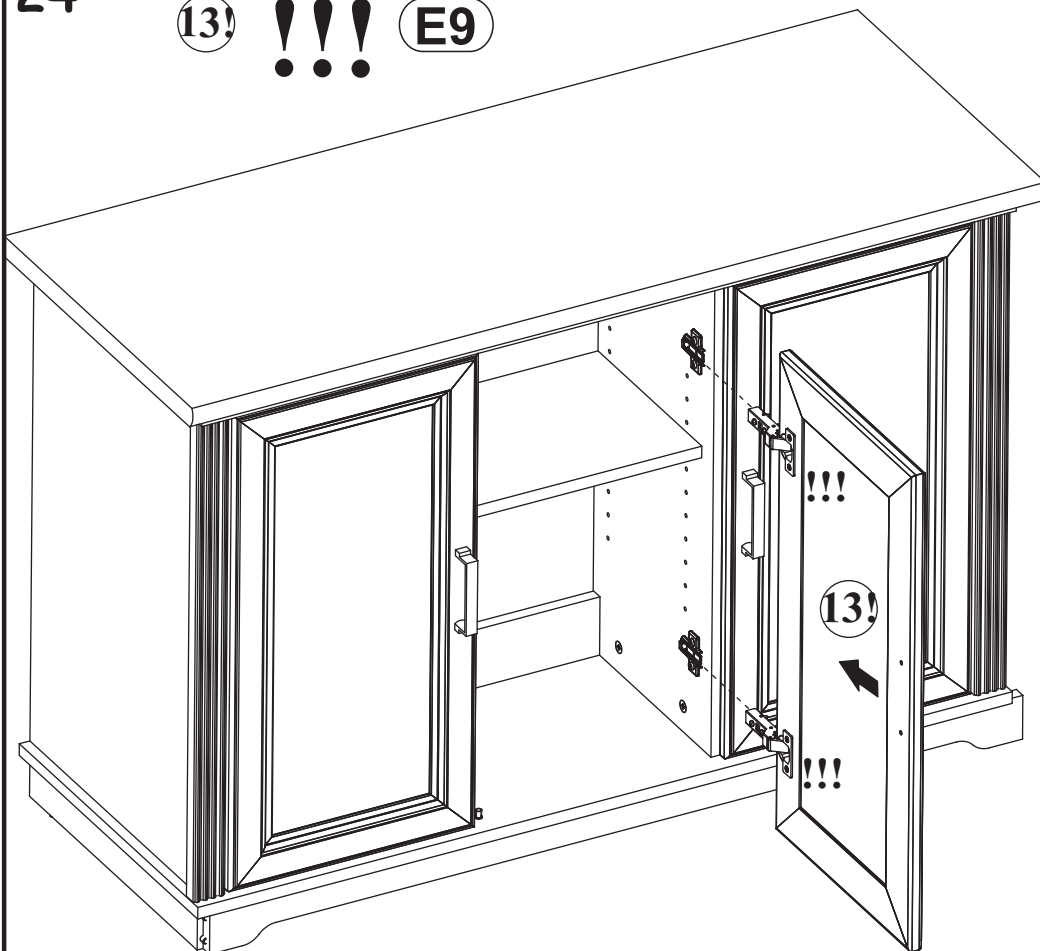
23

C19		D4	
x2		x4	M4x30

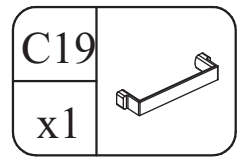
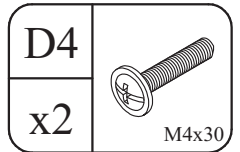
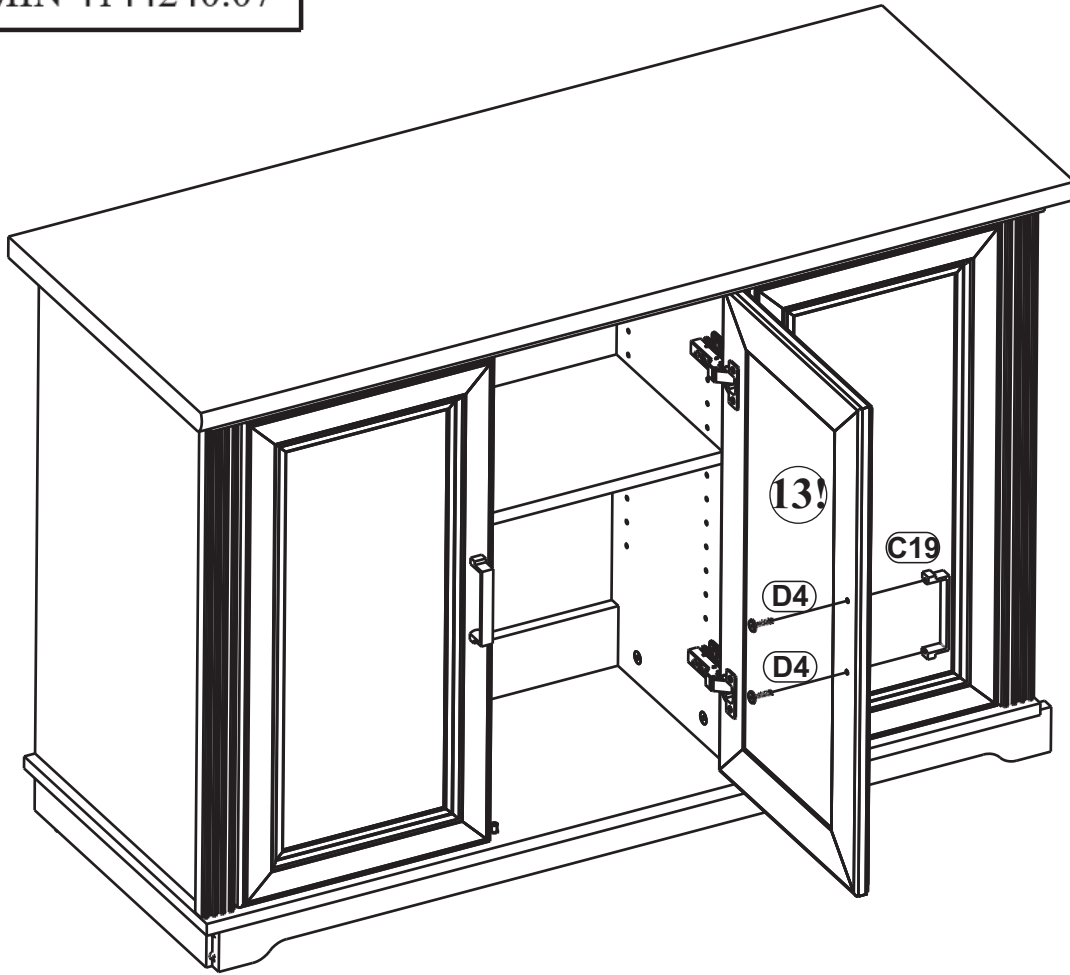


24

13! !!! E9



25



26

