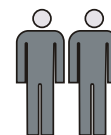
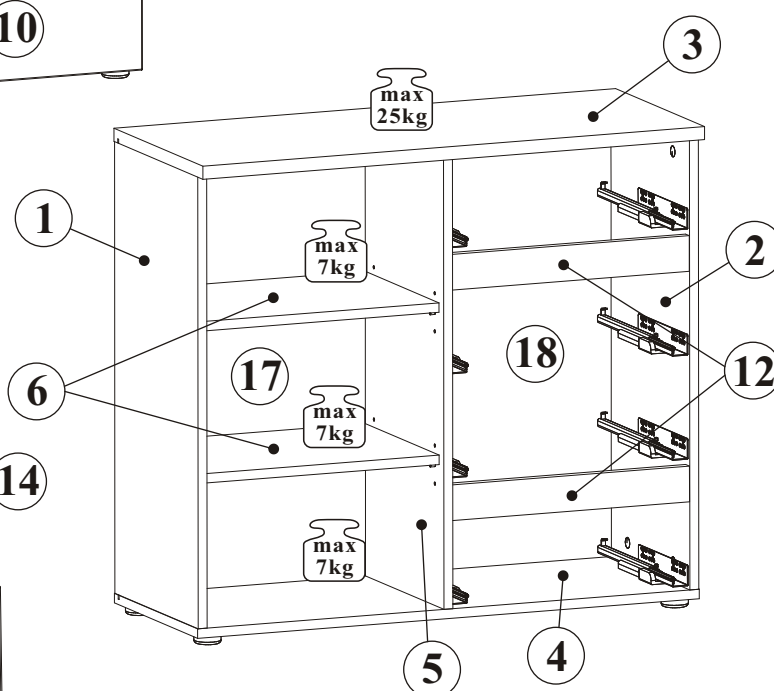
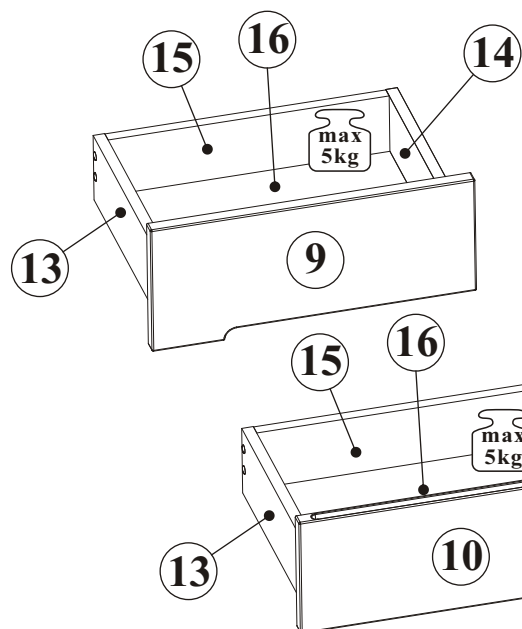
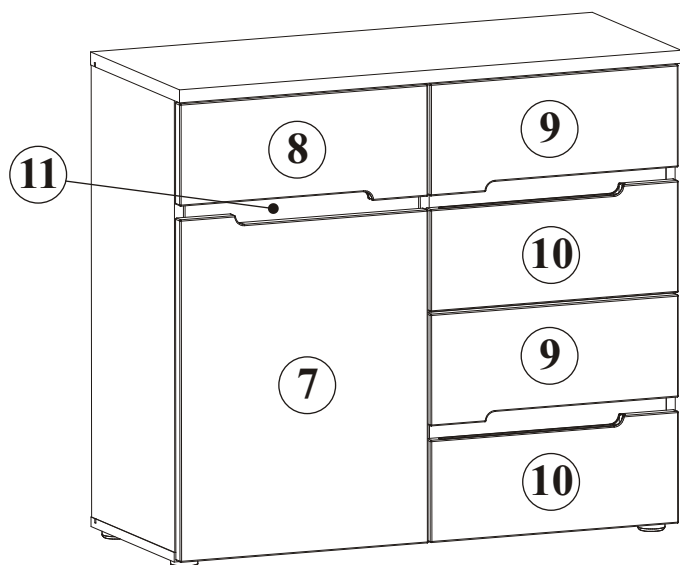
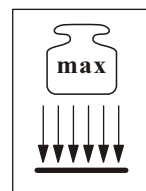
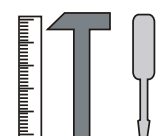


# MEMPHIS 50 34--25



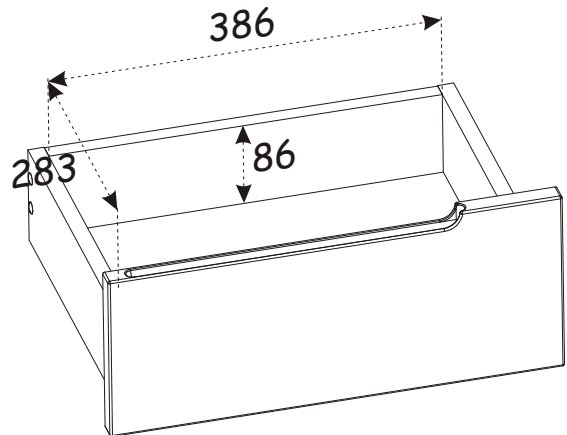
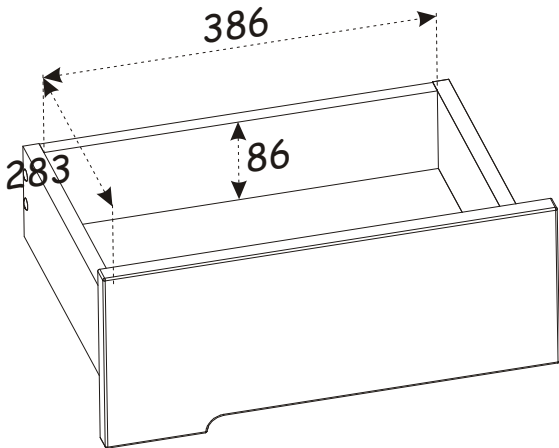
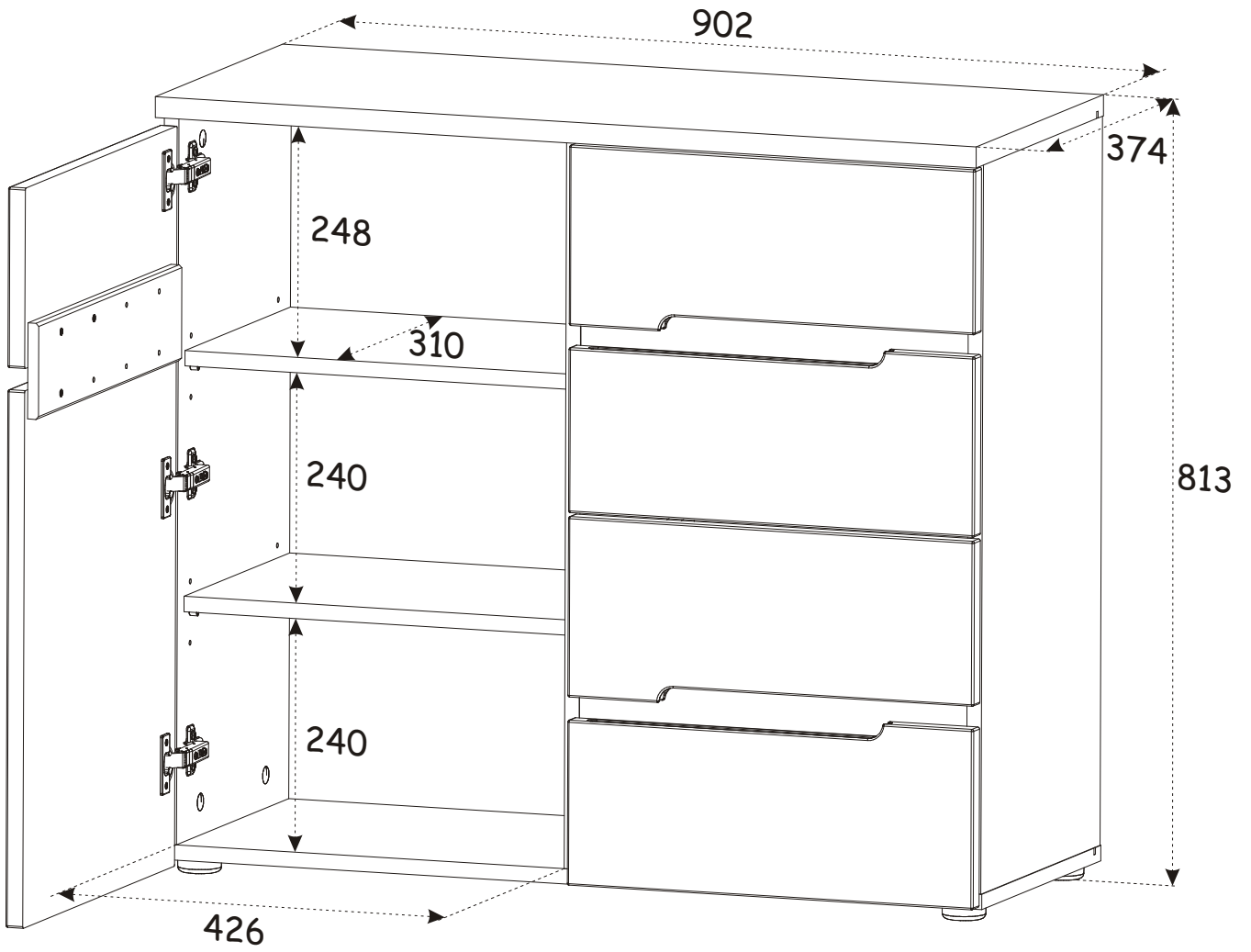
180 min

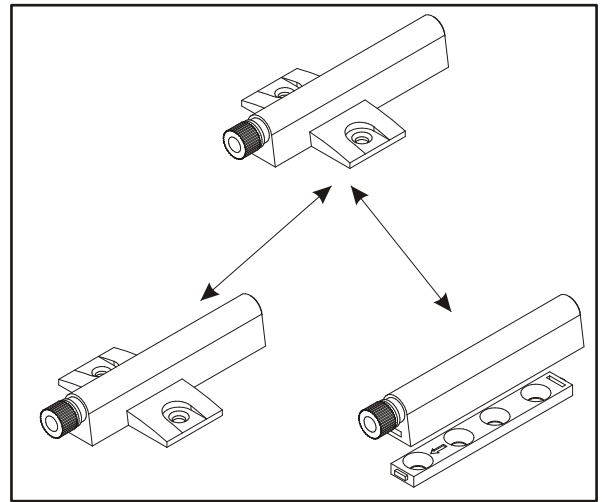
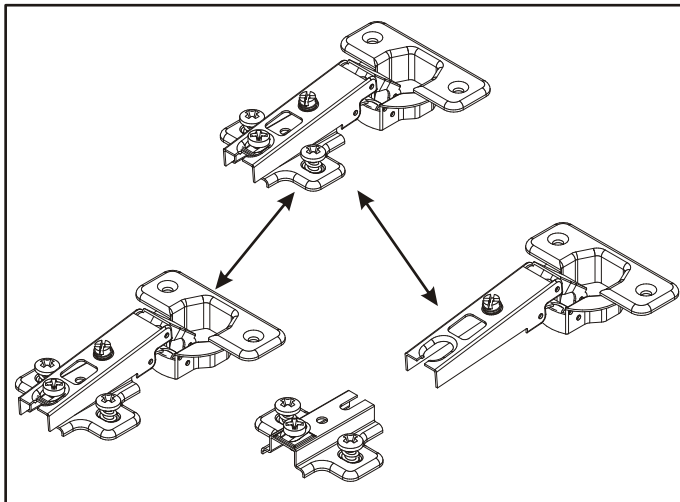
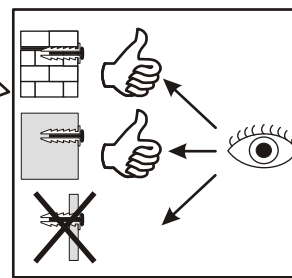
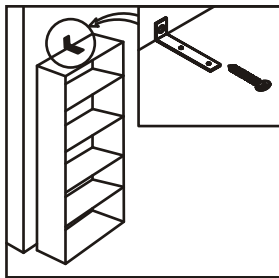
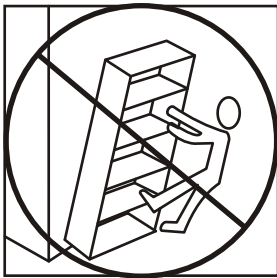
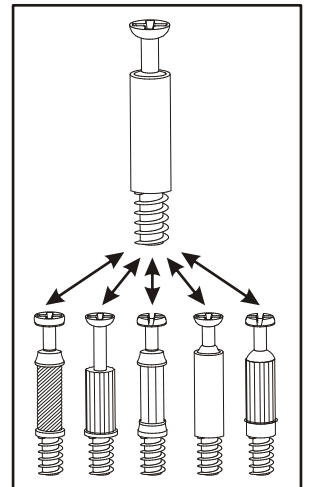
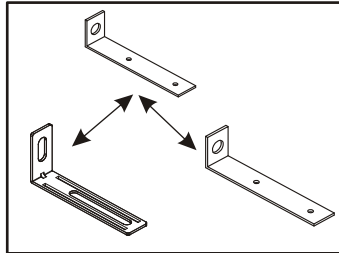
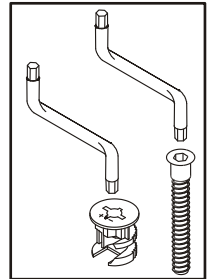
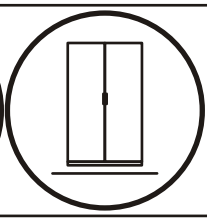
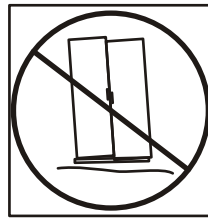
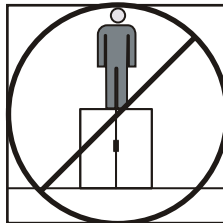
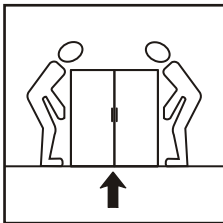
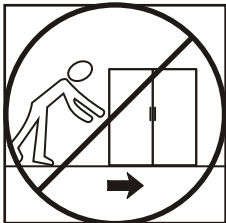
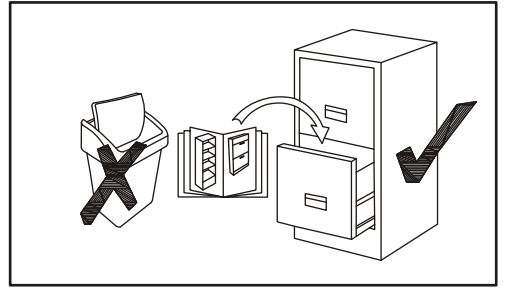
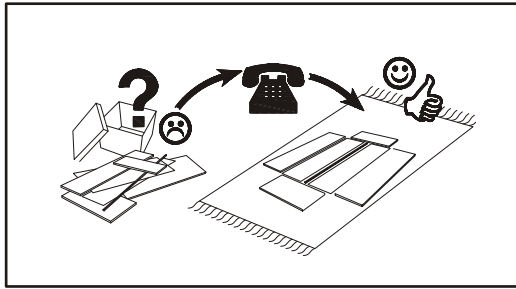
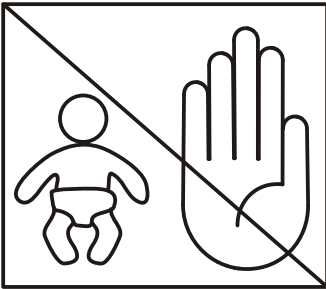
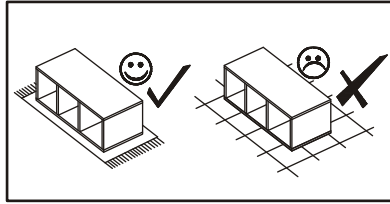
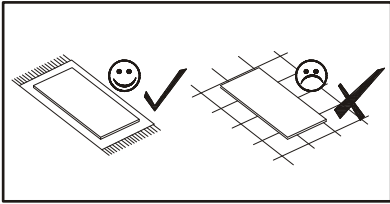


číslo	rozměry/rozmary			č.balíku	počet
1	760	350	16	1	1
2	760	350	16	1	1
3	902	374	22	1	1
4	902	350	16	1	1
5	760	330	16	1	1
6	426	310	16	1	2
7	446	576	18	2	1
8	446	188	18	2	1
9	446	188	18	2	2
10	446	188	18	2	2
11	420	100	12	2	1
12	426	60	16	2	2

číslo	rozměry/rozmary			č.balíku	počet
13	300	100	16	2	4
14	300	100	16	2	4
15	386	86	16	2	4
16	304	398	3	2	4
17	772	440	3	2	1
18	772	440	3	2	1

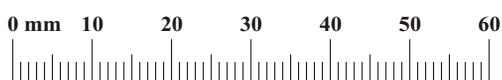
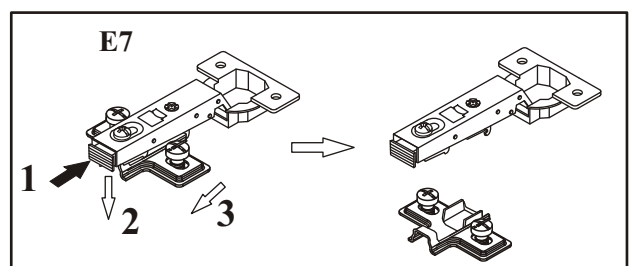
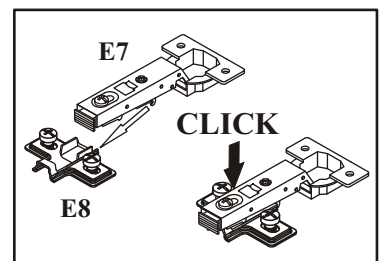
MEMPHIS 50 34 -- 25



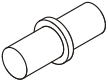
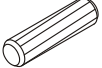

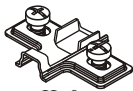


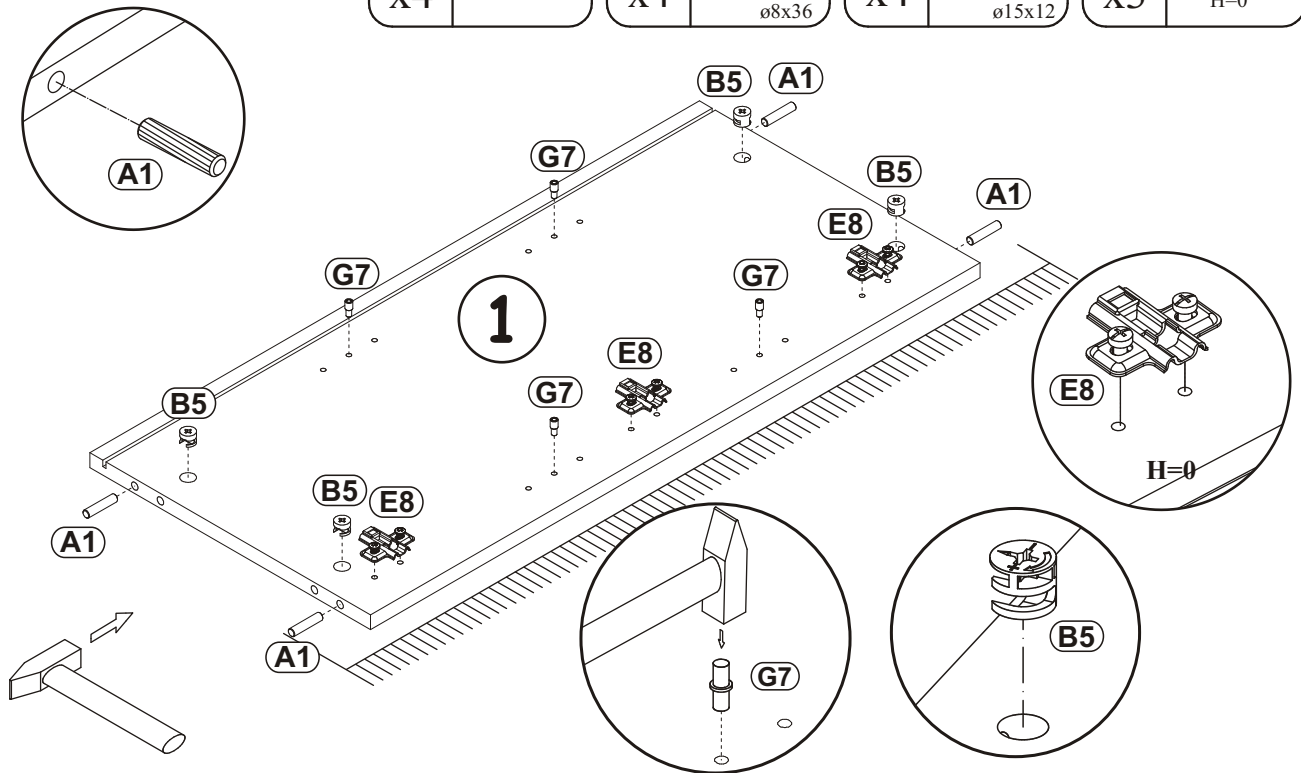
MEMPHIS 50 34 -- 25

A1 x24 ø8x36	B4 x24	B5 x24 ø15x12	G5 x24	B11 x16 Ø7x50	G4 x16
E7 x3 Ø35 H=0	E8 x3 H=0	QU x4 L-300	G7 x8	S1 x18	G16 x4
I11 x5 Ø45, h=15	D20 x16 ESØ6x9,5	D10 x24 USØ3,5x13	UP11 x5 UPØ4x20	UP13 x28 UPØ3x16	UP17 x8 UPØ4x25
L1 x1	KR1 x1	G2 x1			

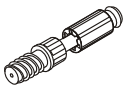

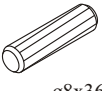
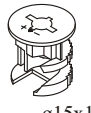




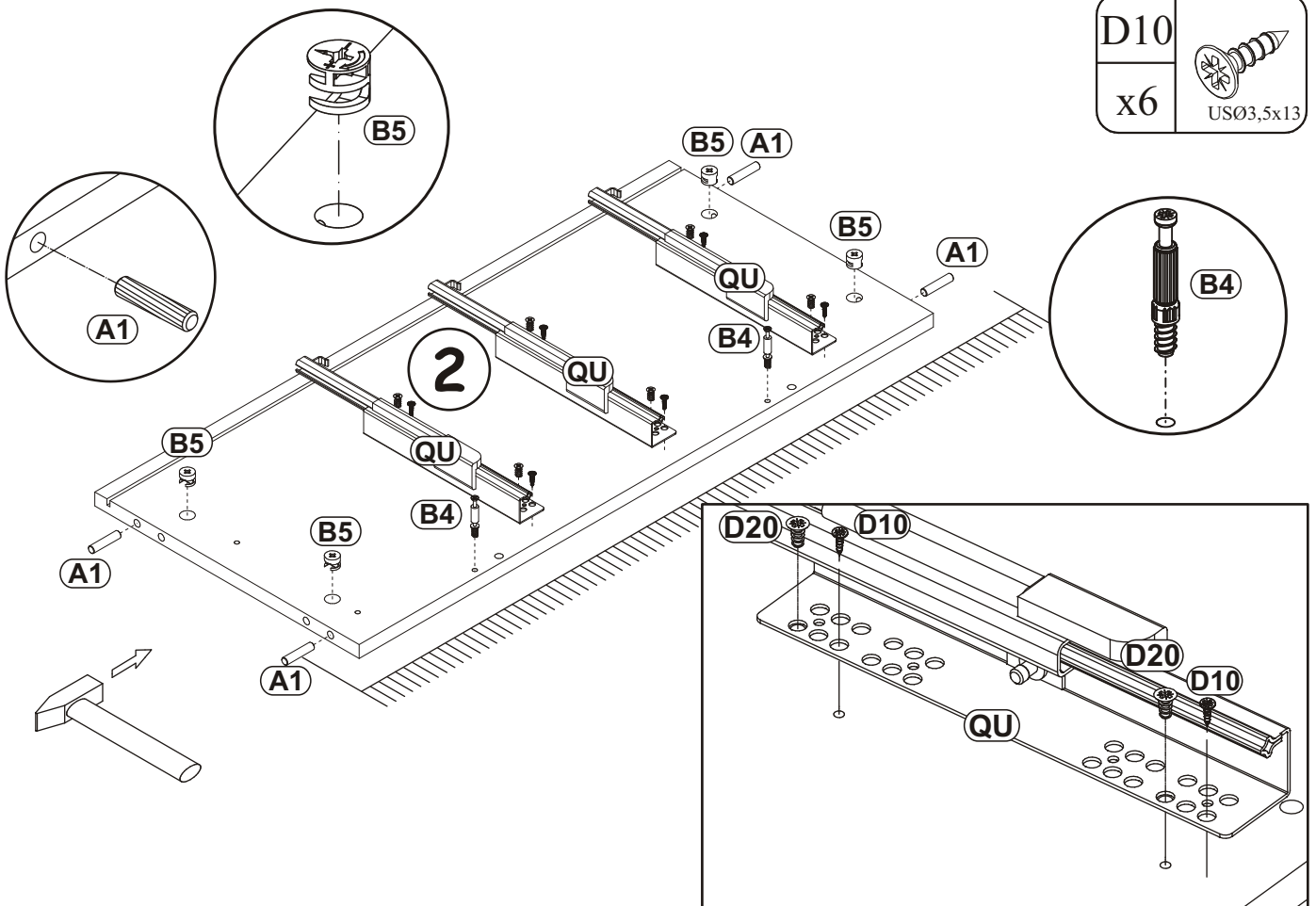
1

G7 x4		A1 x4	 ø8x36	B5 x4	 ø15x12	E8 x3	 H=0
----------	---	----------	---	----------	---	----------	--

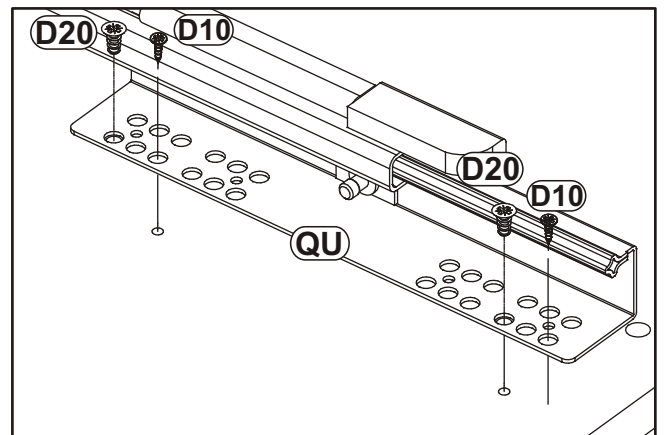
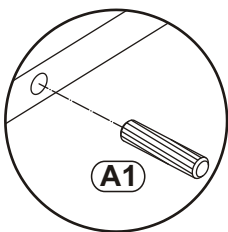
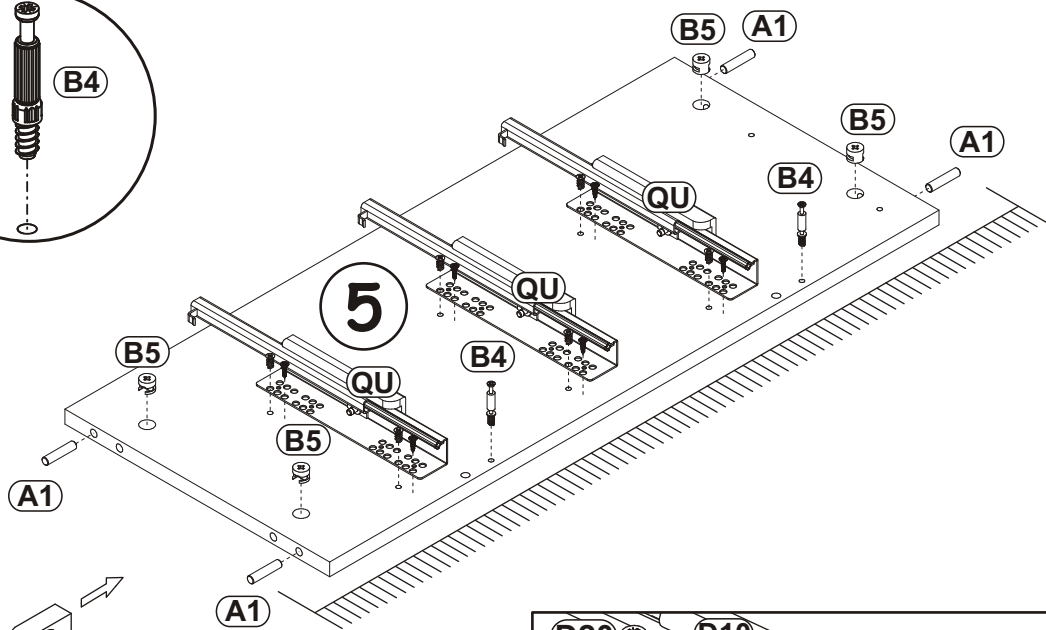
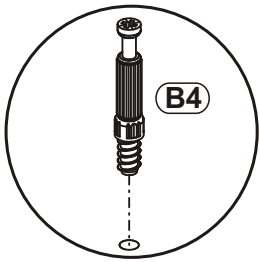
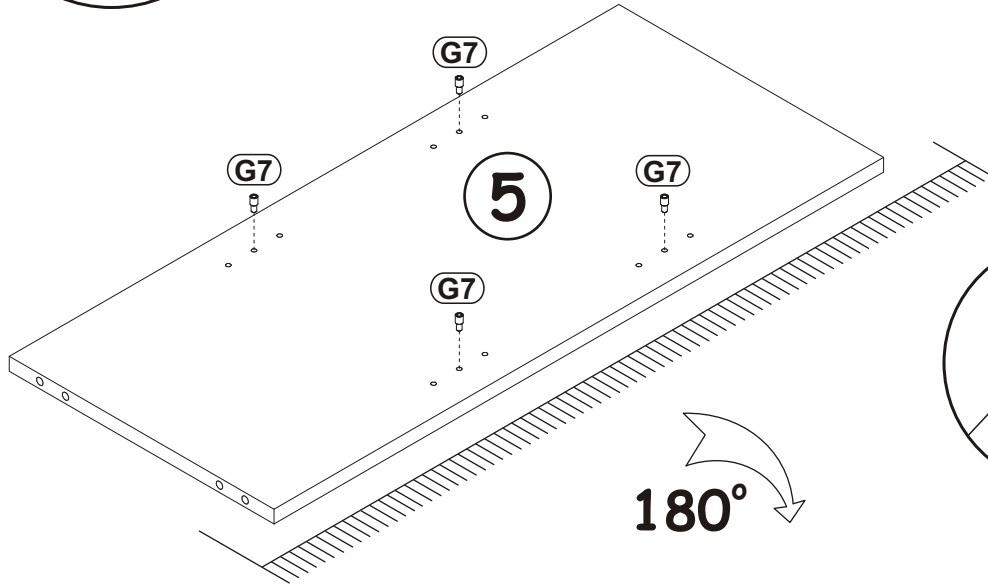
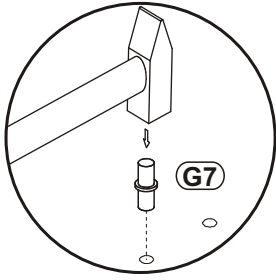
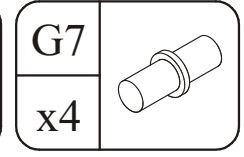
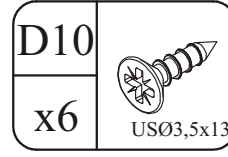
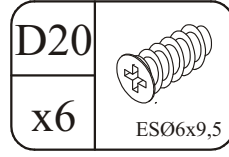
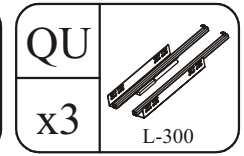
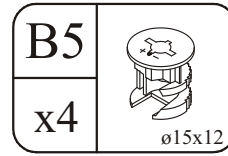
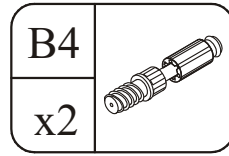
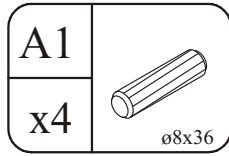


2

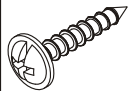
B4 x2		D20 x6	 ESØ6x9,5	A1 x4	 ø8x36	B5 x4	 ø15x12	QU x3	 L-300
		D10 x6							 USØ3,5x13

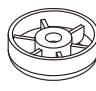


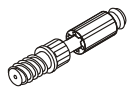
3

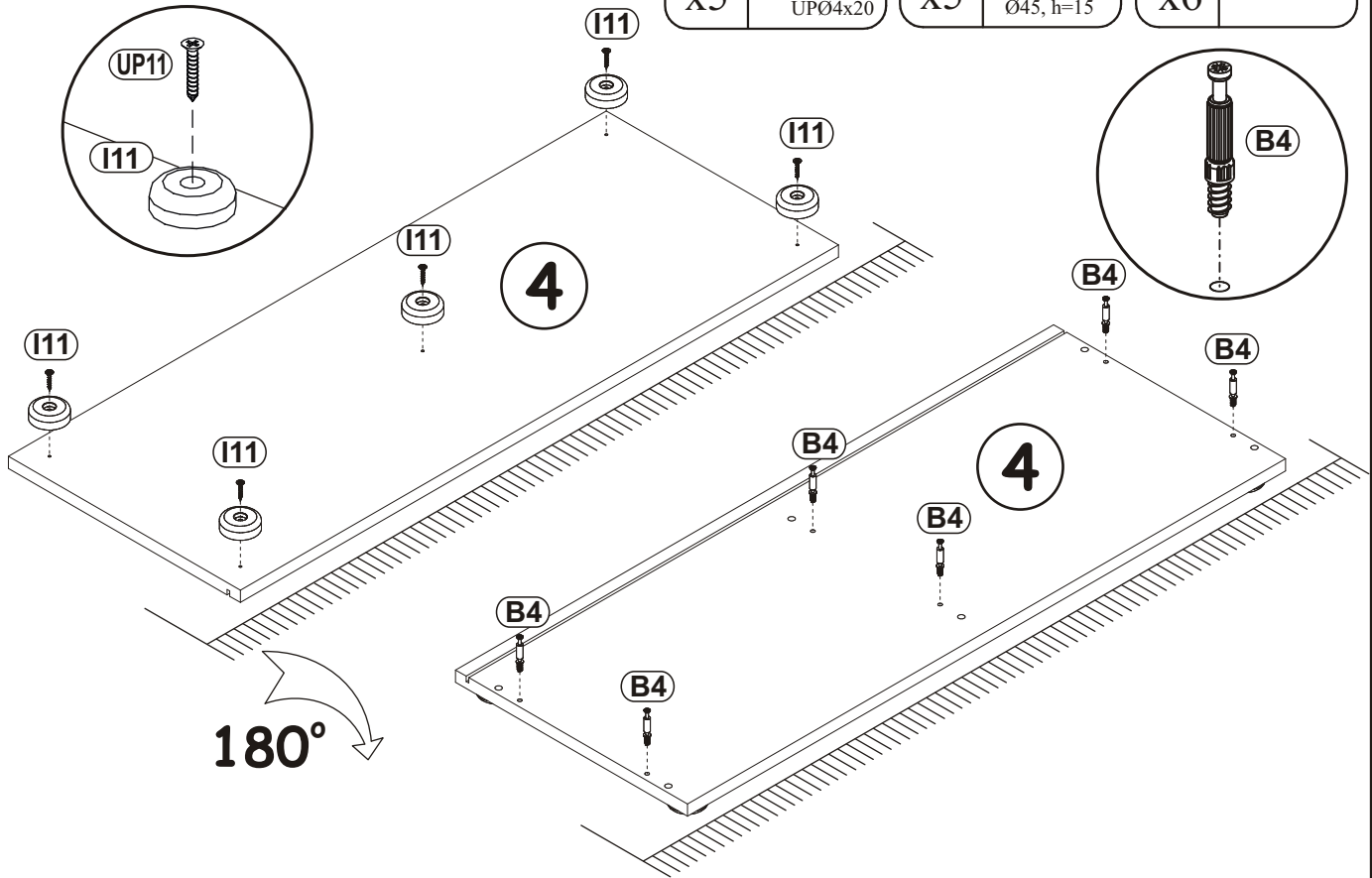


4

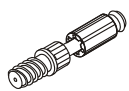
UP11	
x5	UPØ4x20


I11	
x5	Ø45, h=15

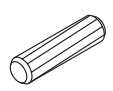
B4	
x6	

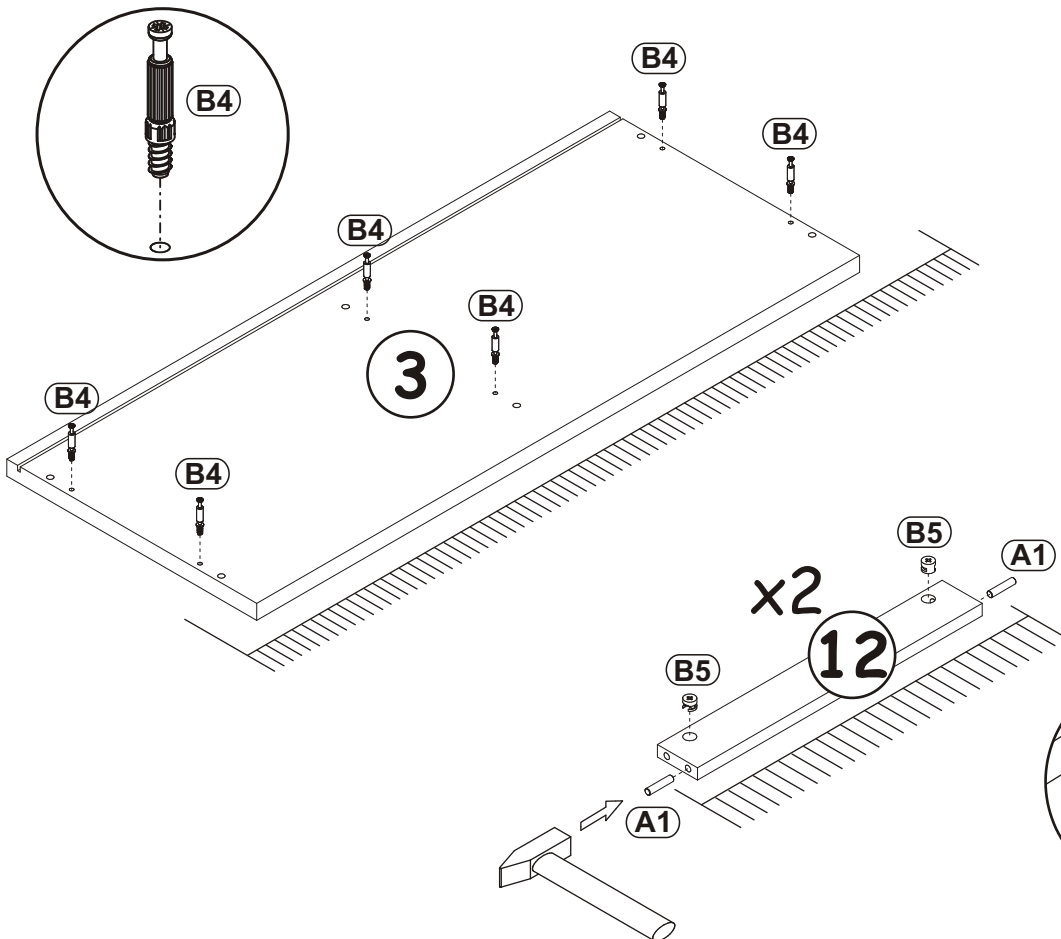


5

B4	
x6	

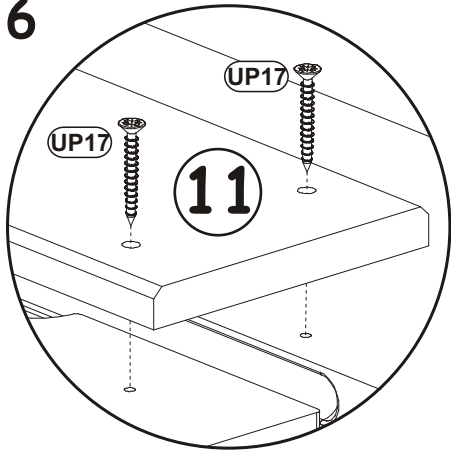
B5	
x4	Ø15x12

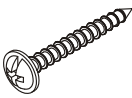
A1	
x4	Ø8x36

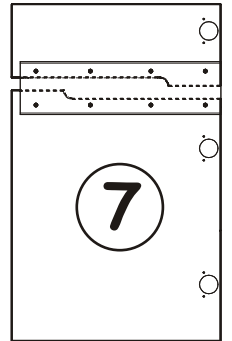
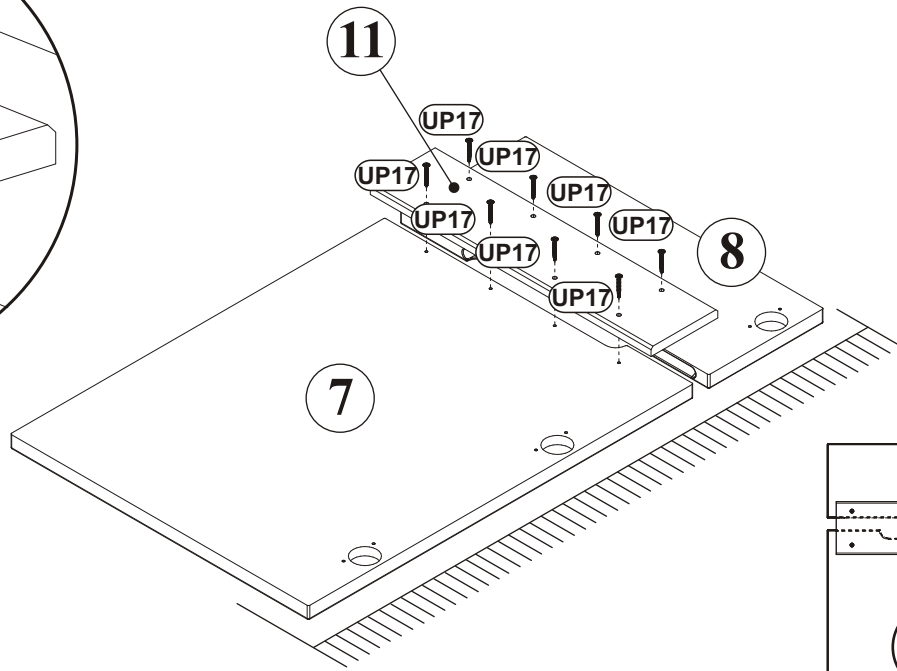




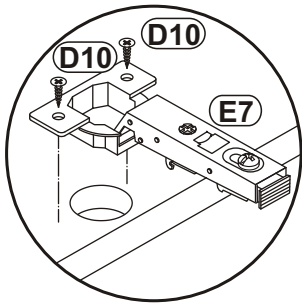
6

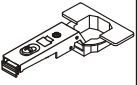


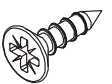
UP17	
x8	UPØ4x25

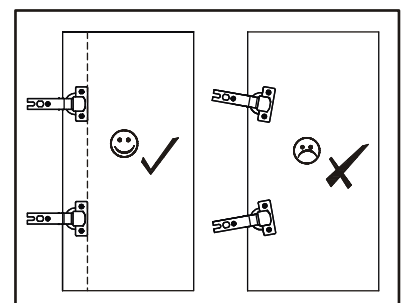
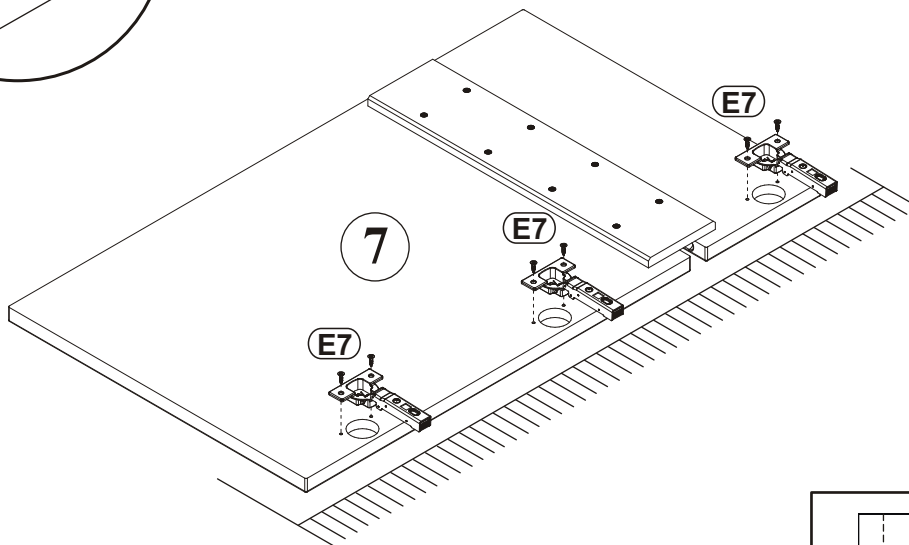


7



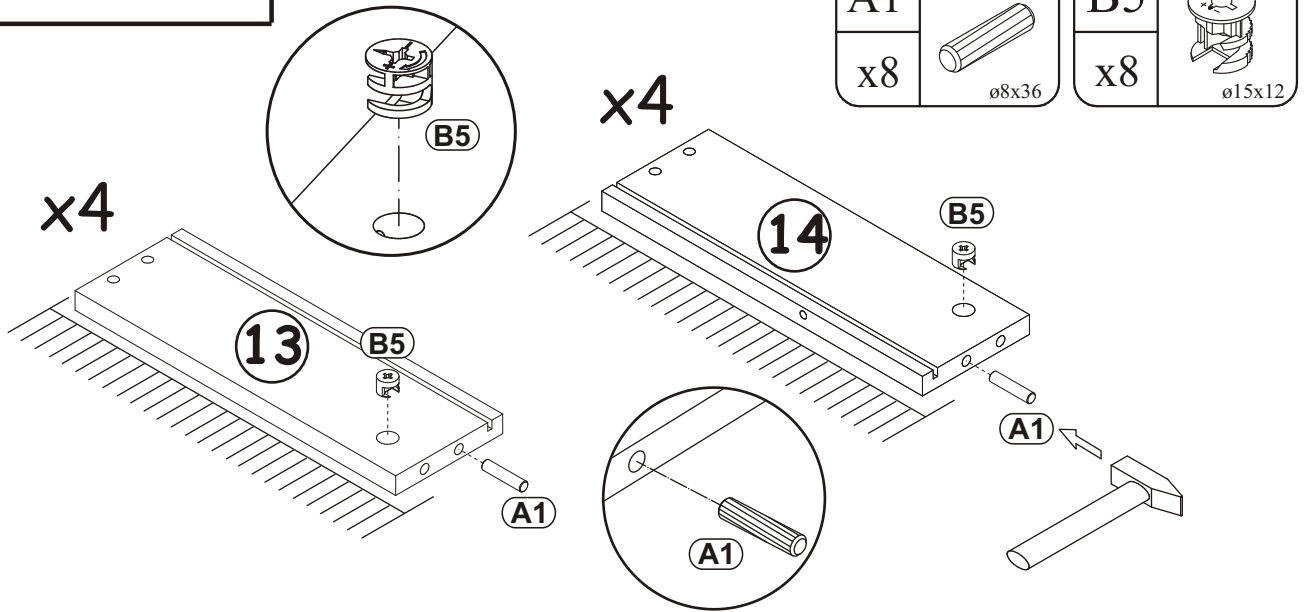
E7	Ø35 
x3	H=0

D10	
x6	USØ3,5x13

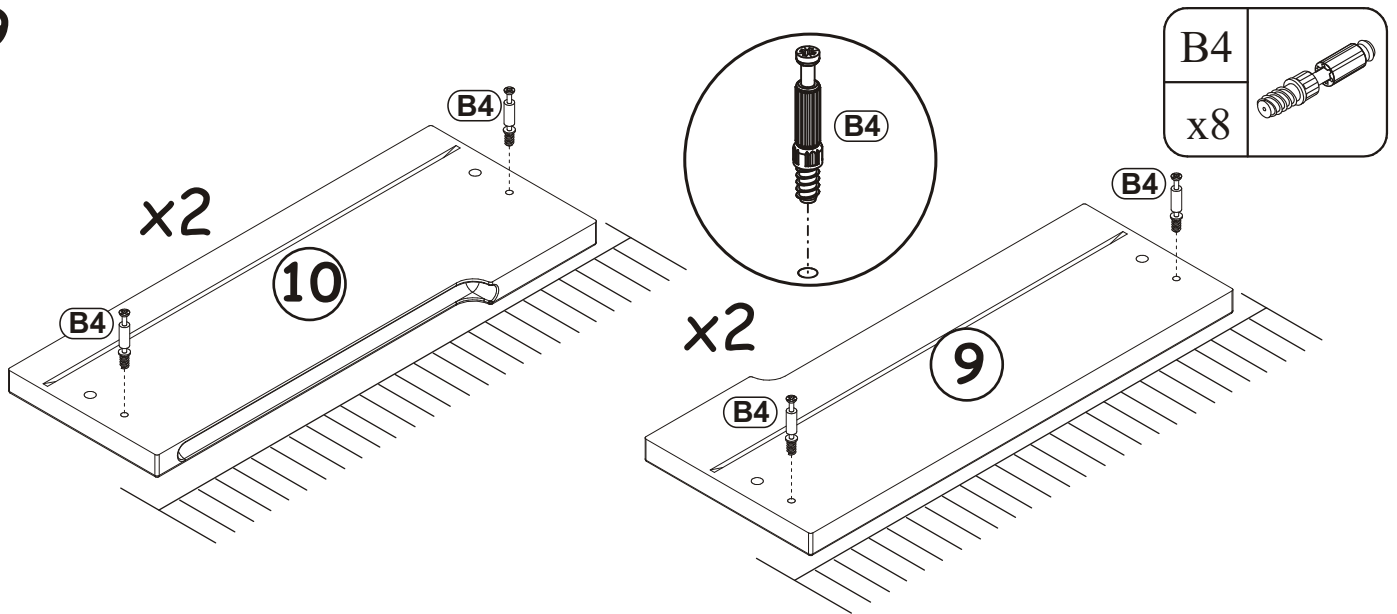




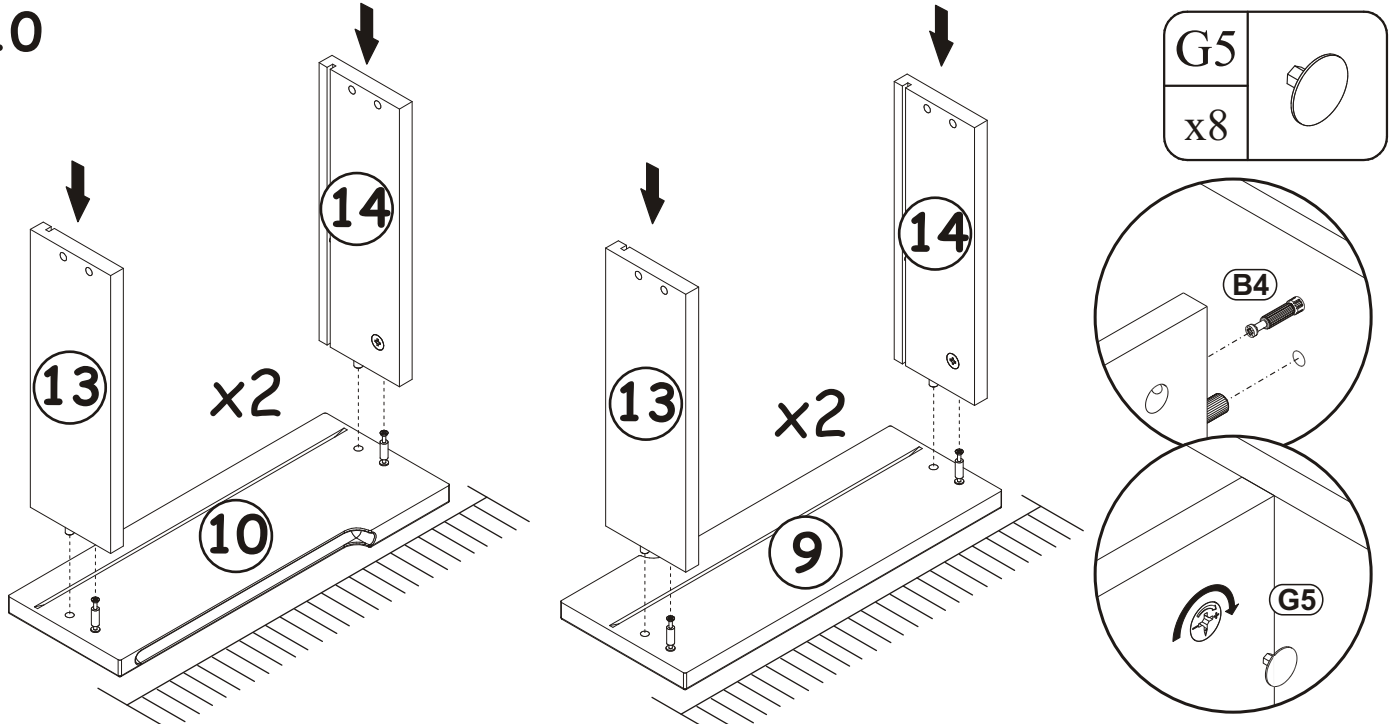
8



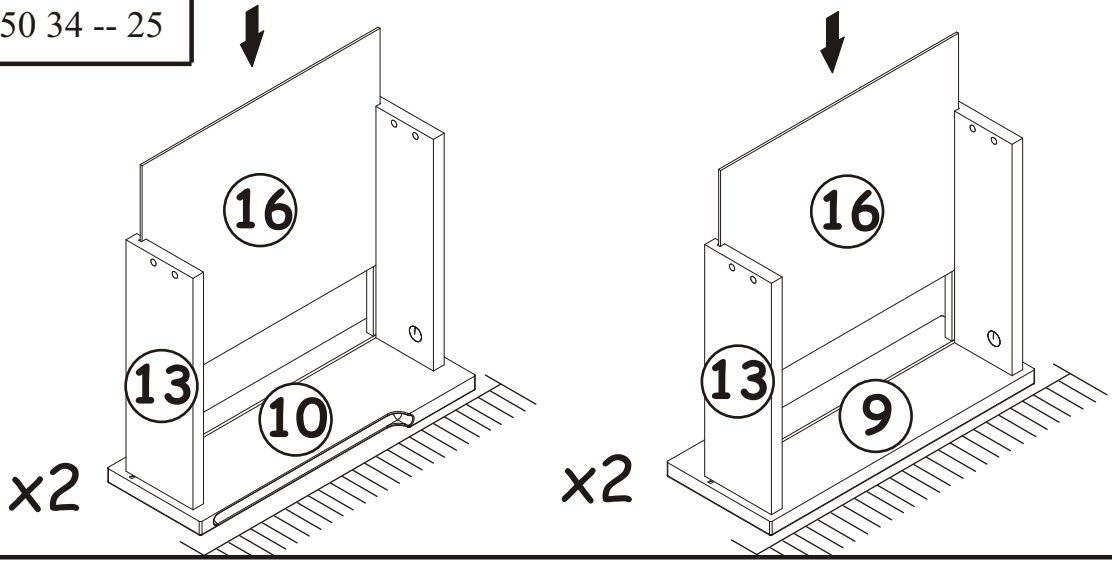
9



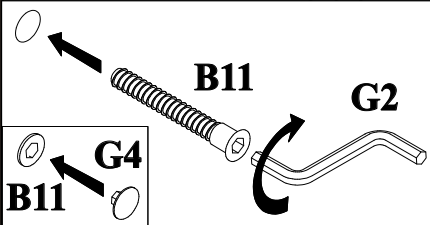
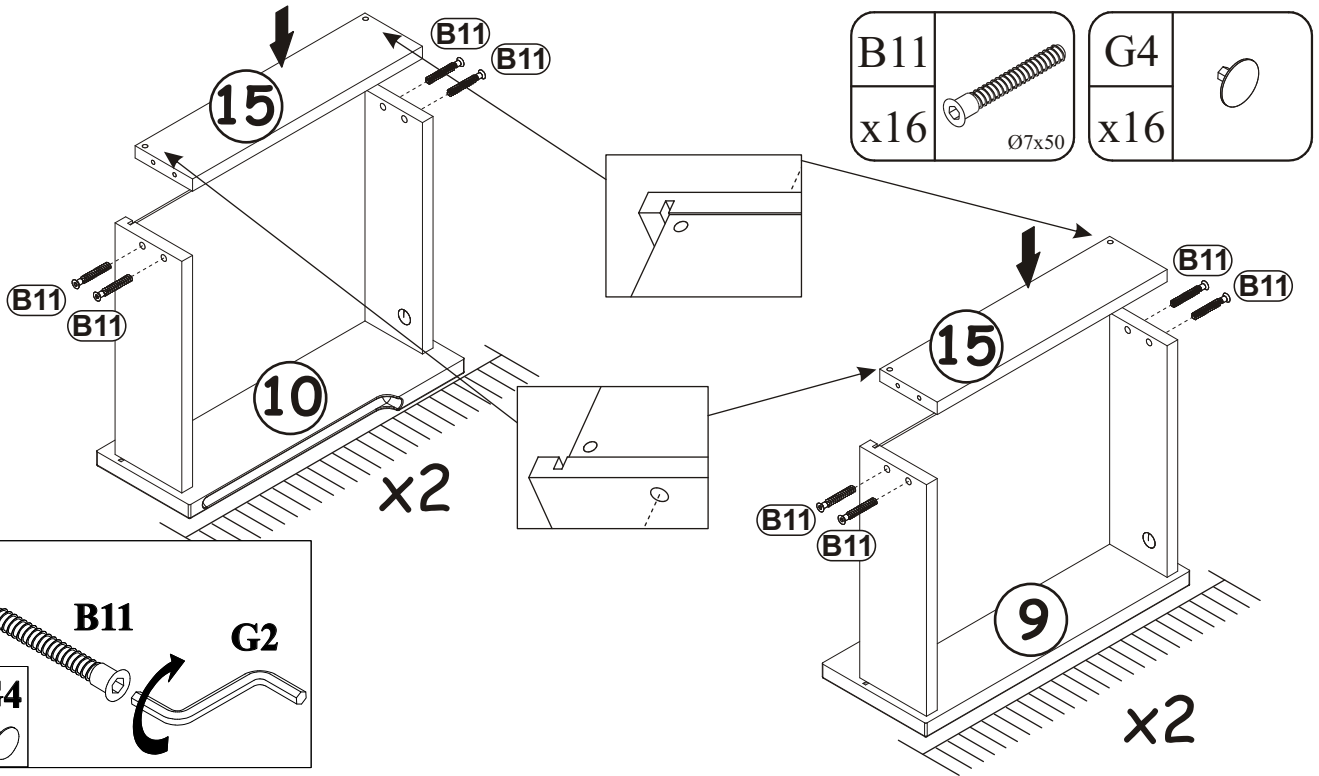
10



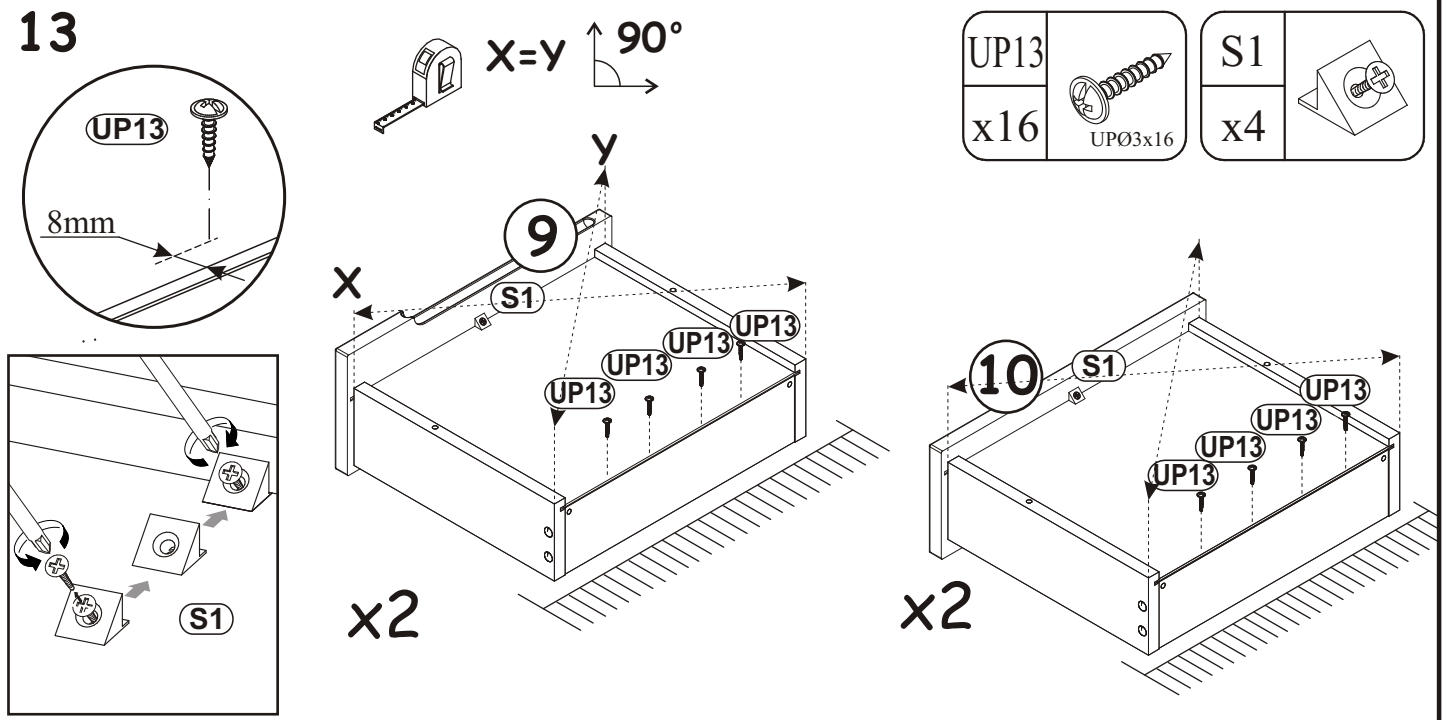
11




12

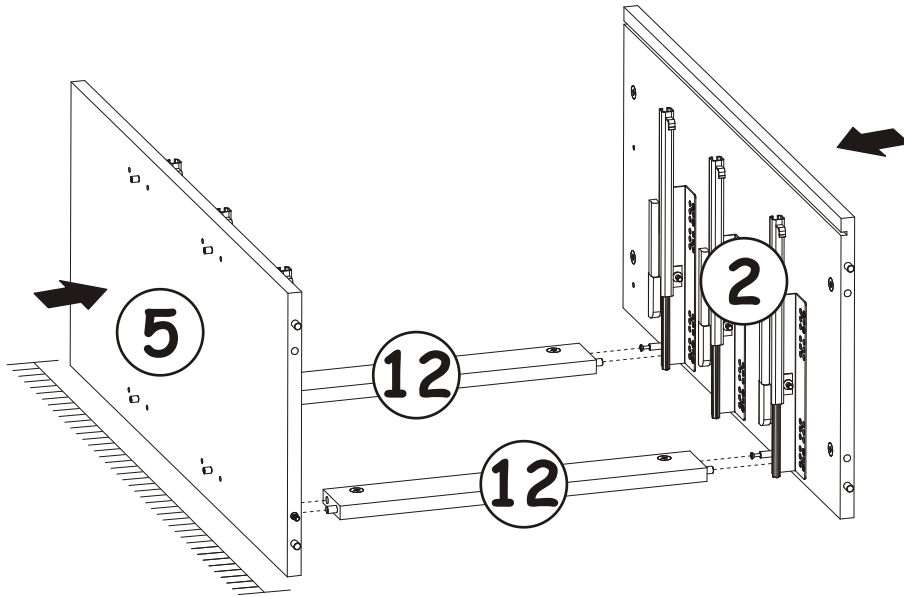


13

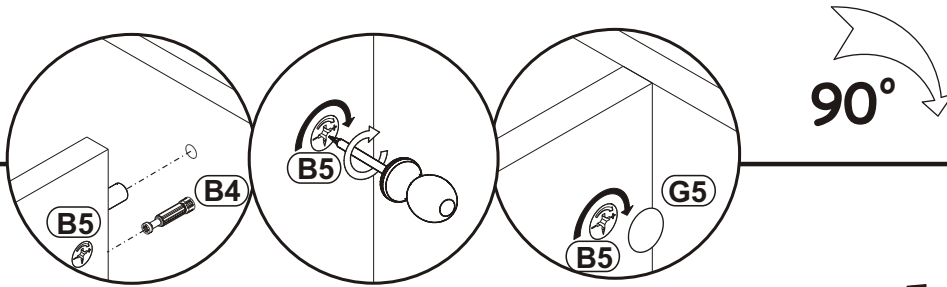



14

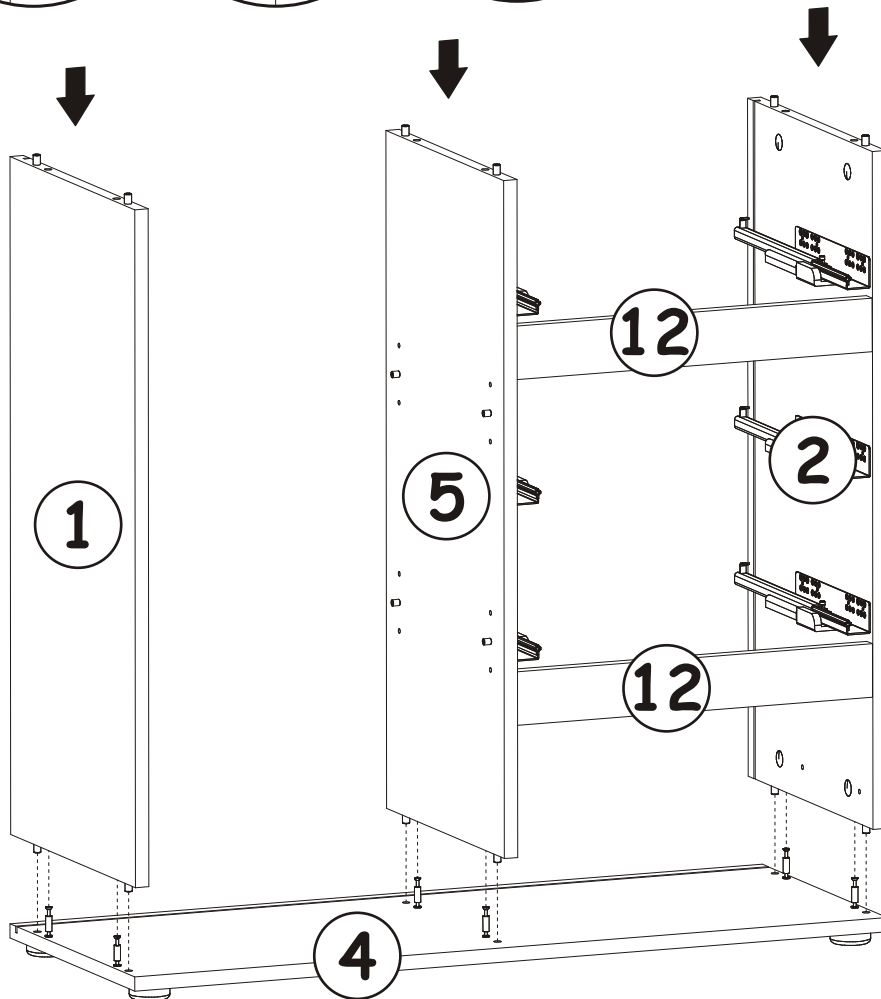
G5	
x4	



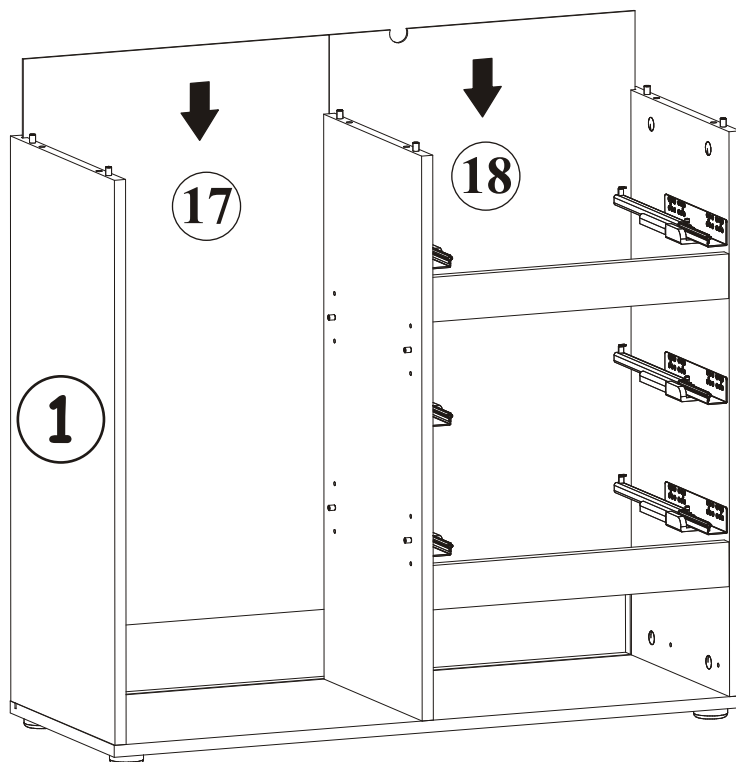
15



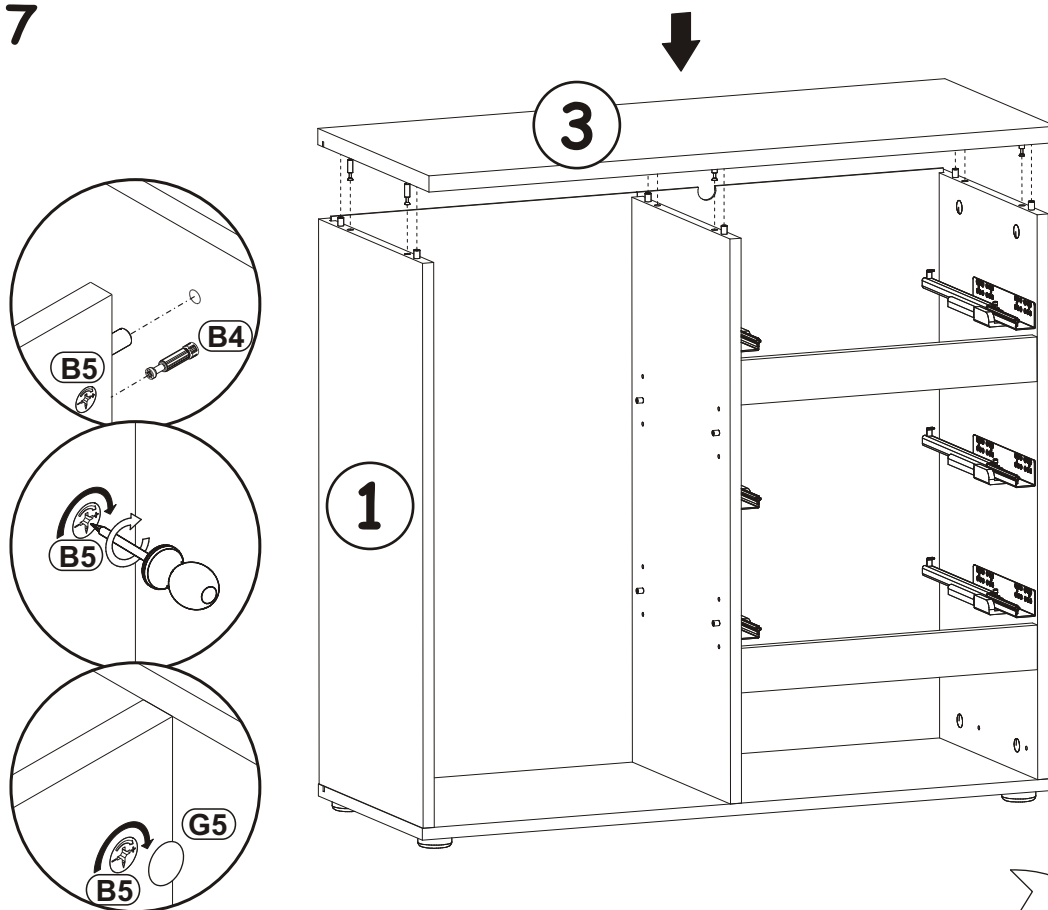
G5	
x6	




# 16



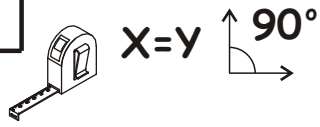
# 17



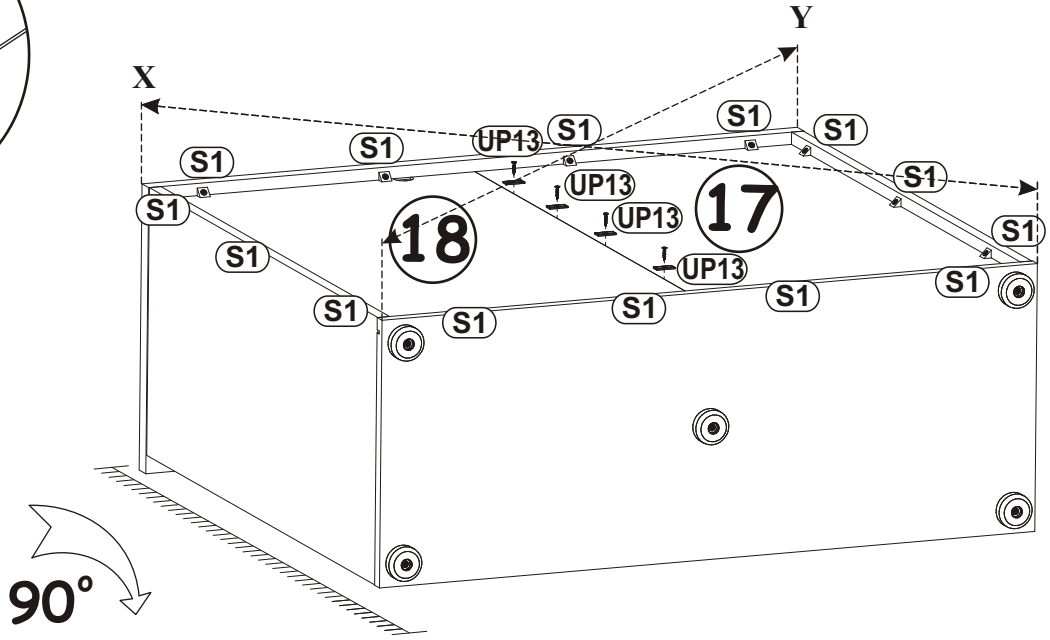
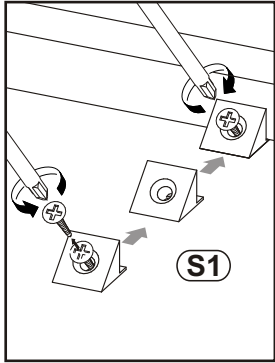
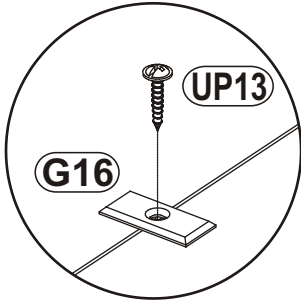
G5	
x6	



18

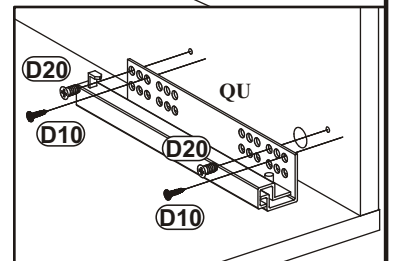
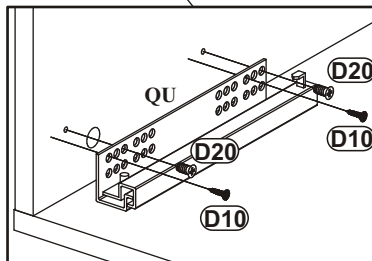
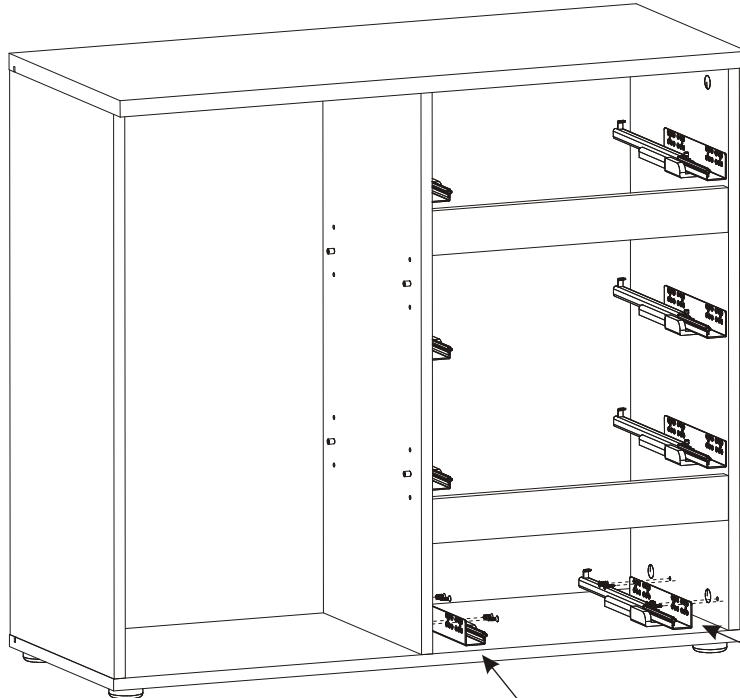


UP13		G16		S1	
x4	UPØ3x16	x4		x14	

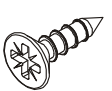
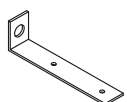



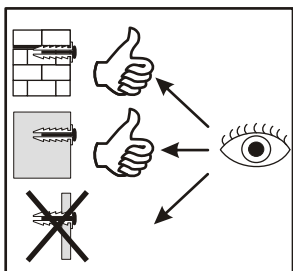
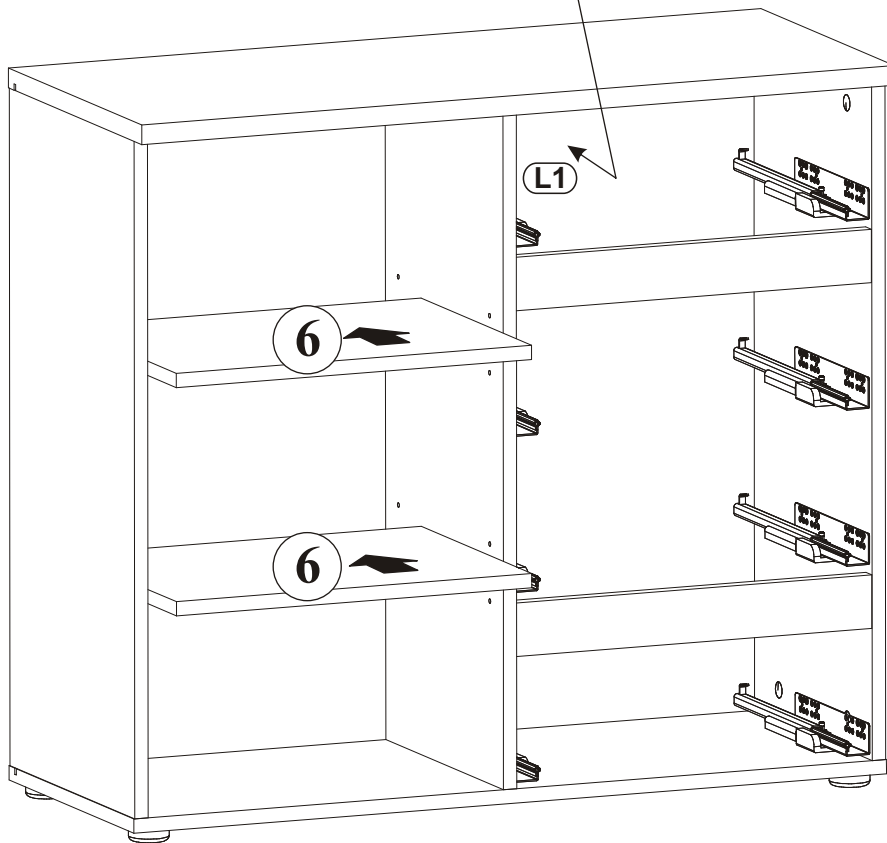
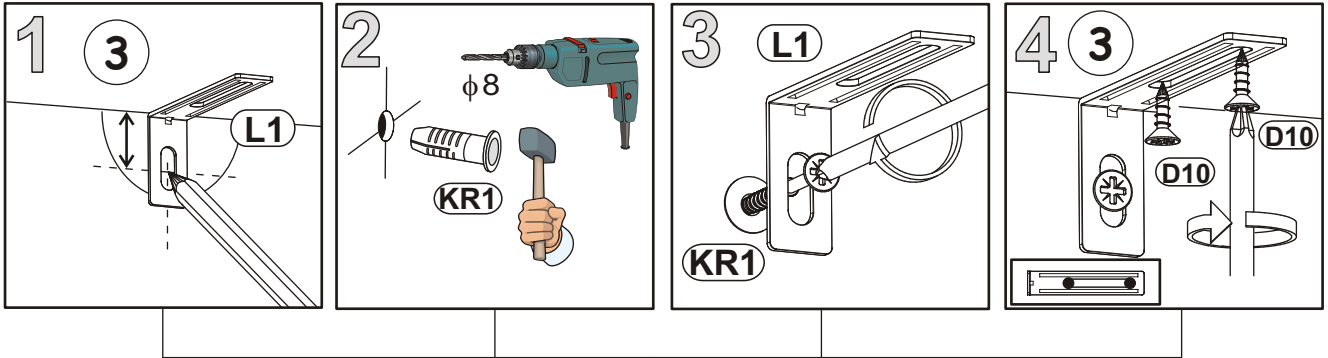
19

D20		D10		QU	
x4	ESØ6x9,5	x4	USØ3,5x13	x1	L-350

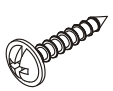


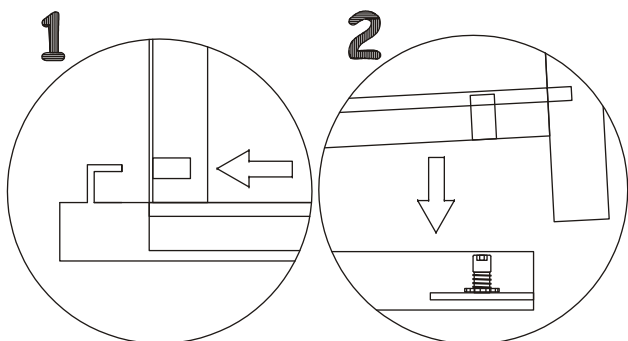
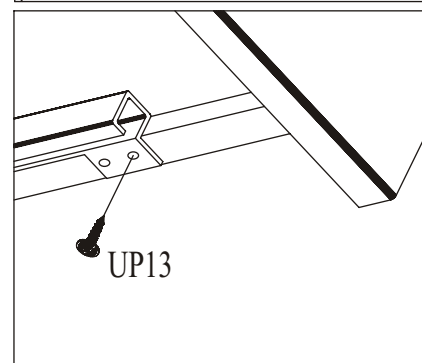
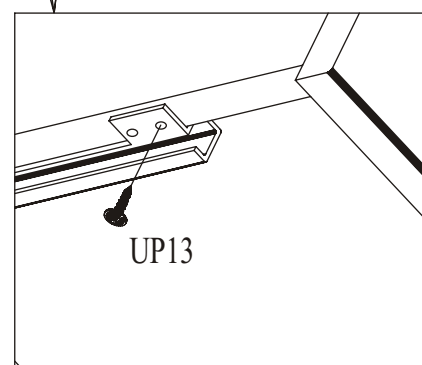
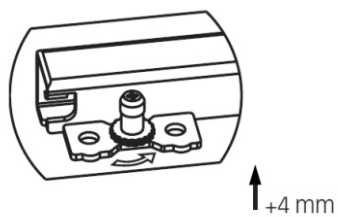
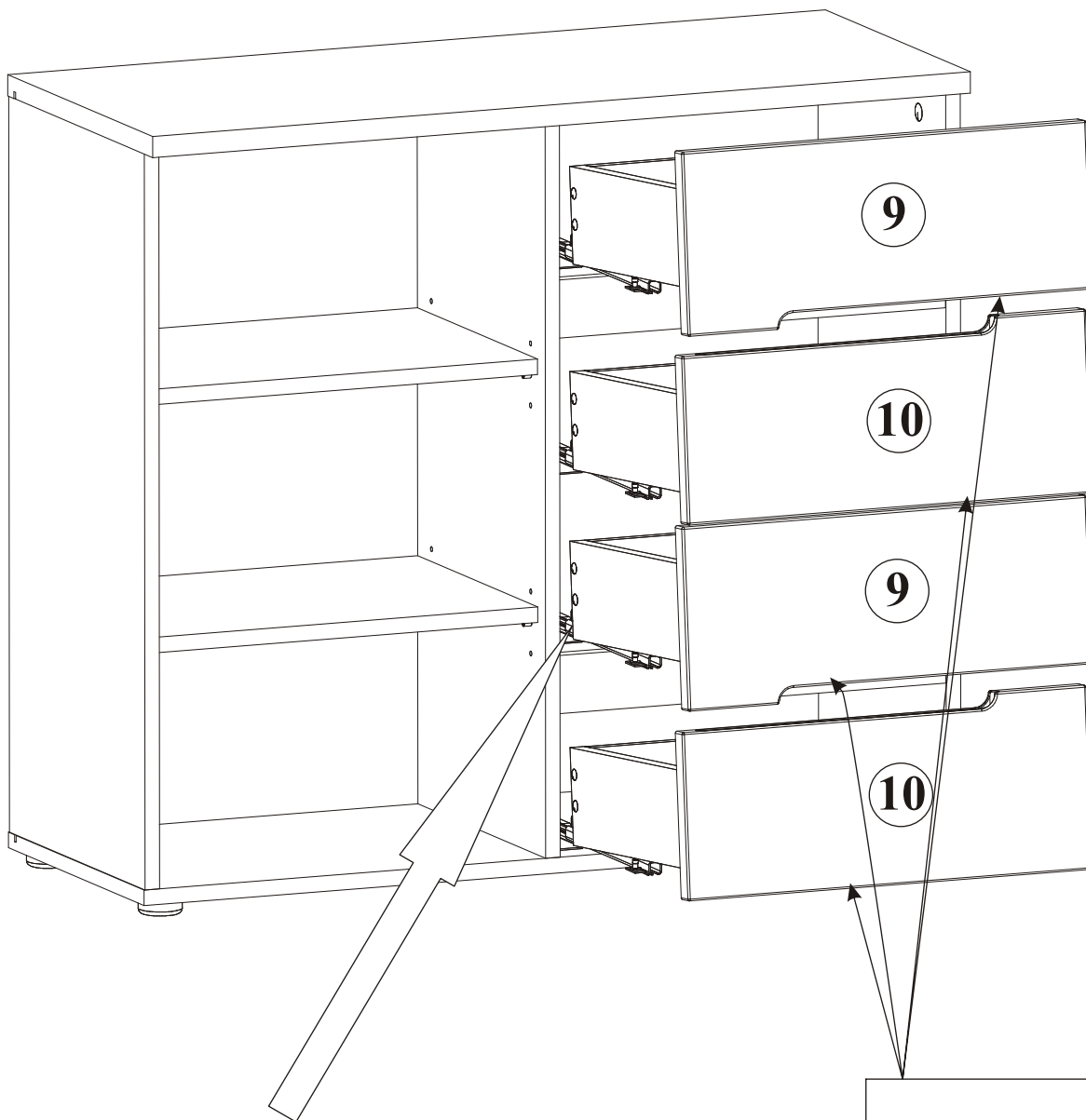
20

D10		L1		KR1	
x2	USØ3,5x13	x1		x1	



21

UP13	
x8	UPØ3x16





22

