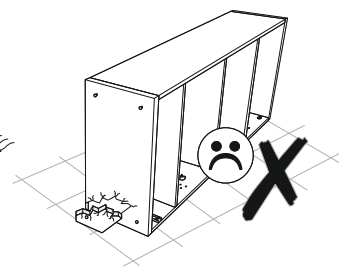
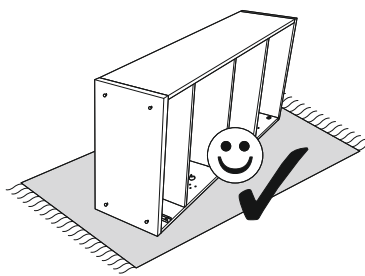
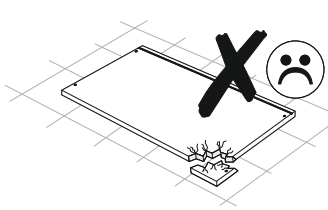
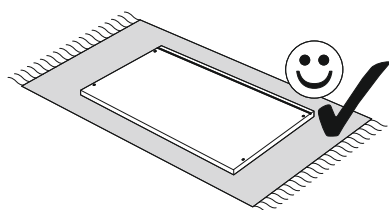
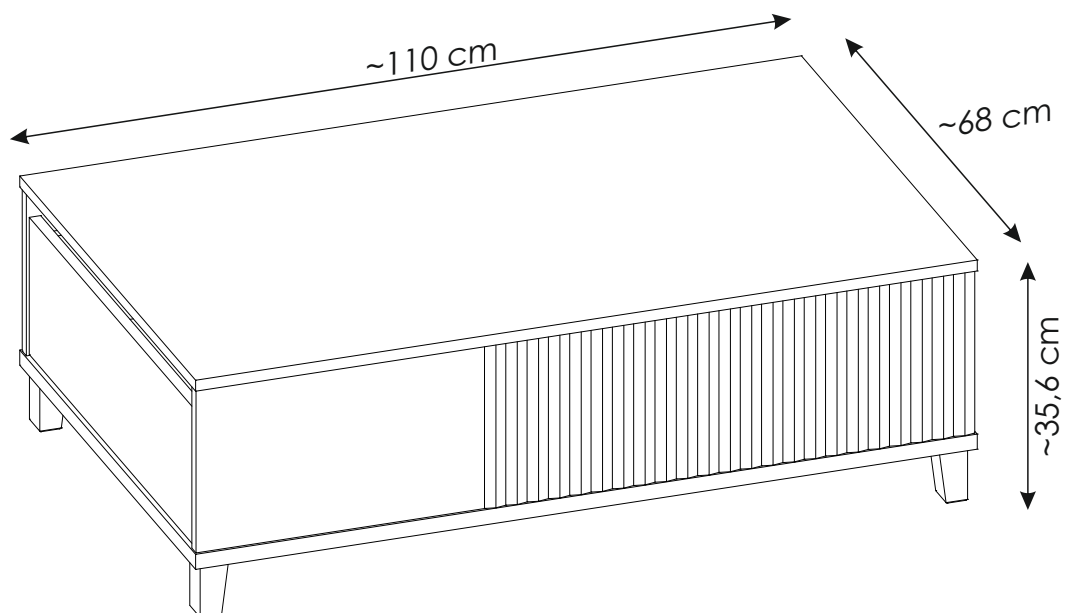
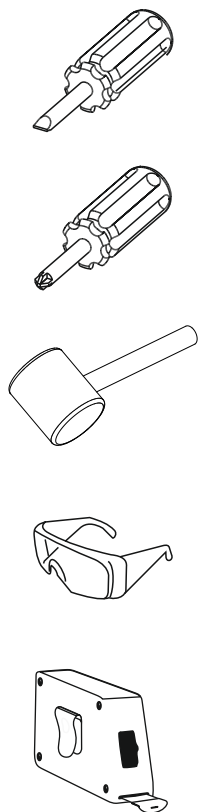
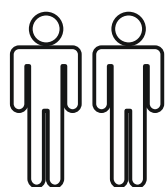
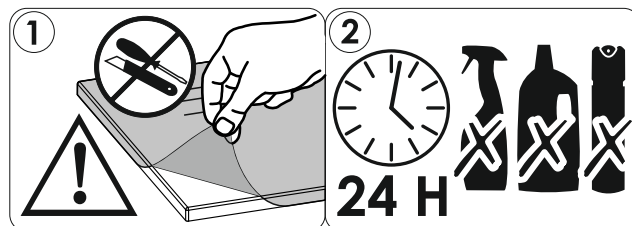
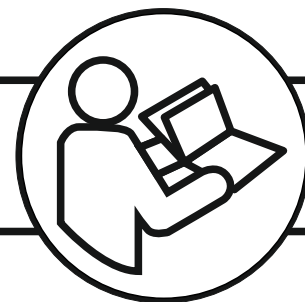
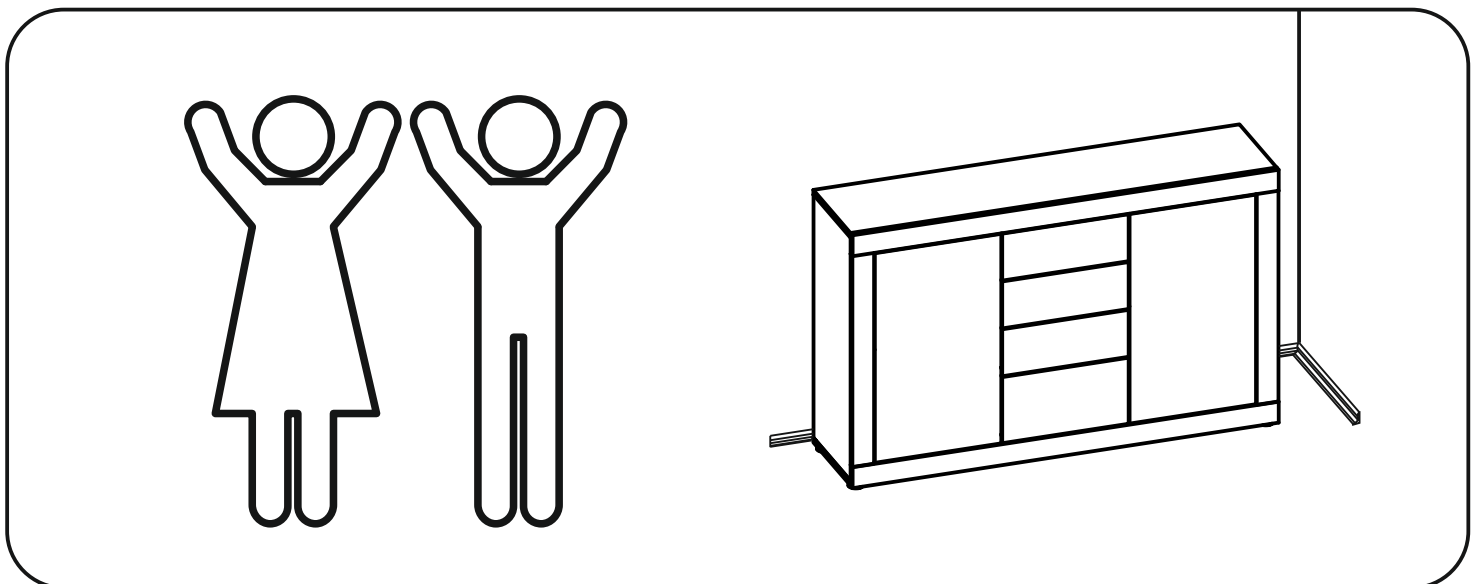
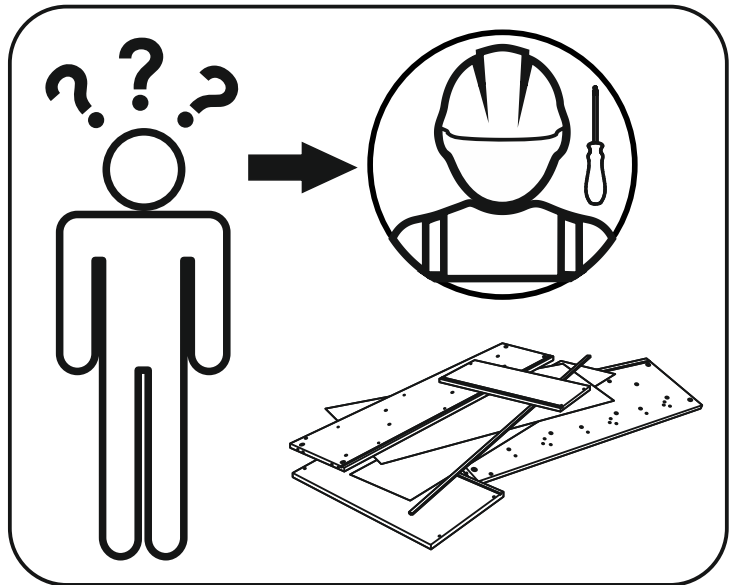
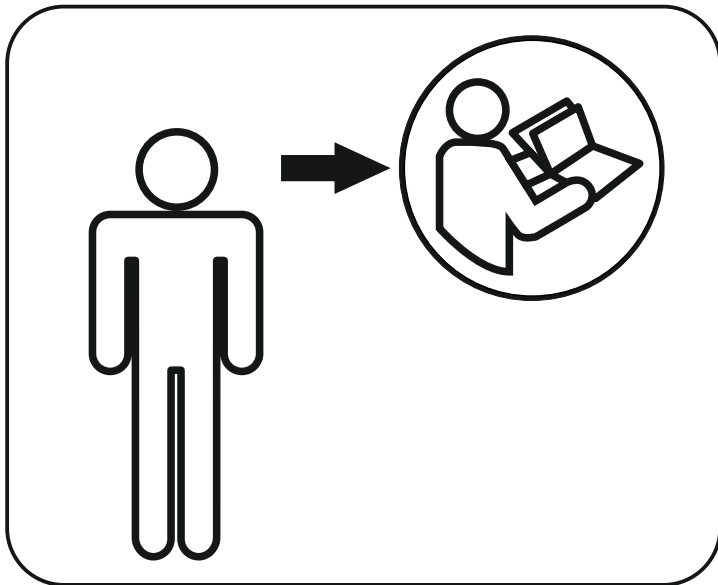
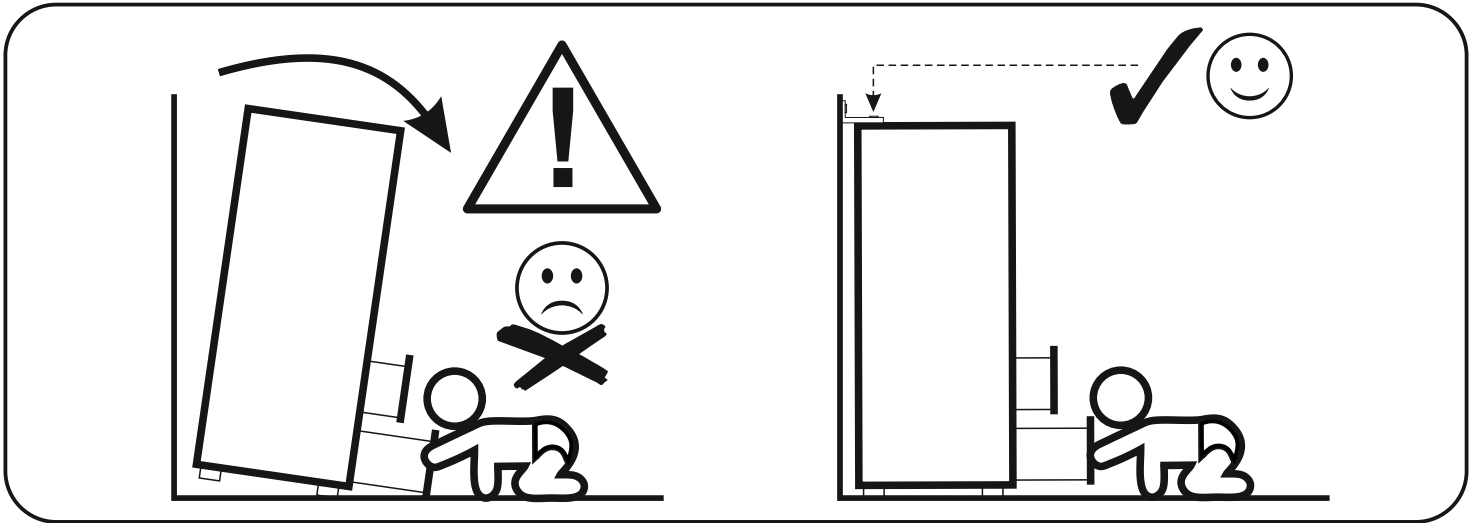
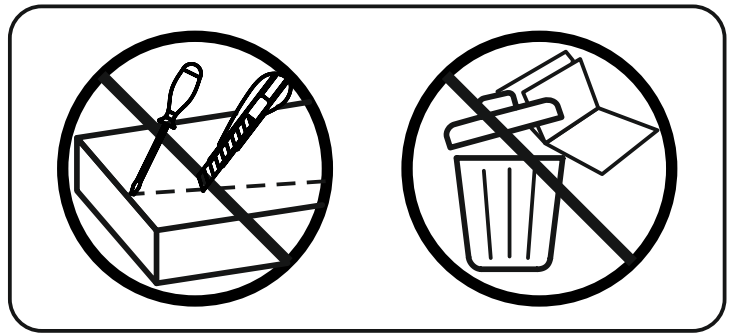
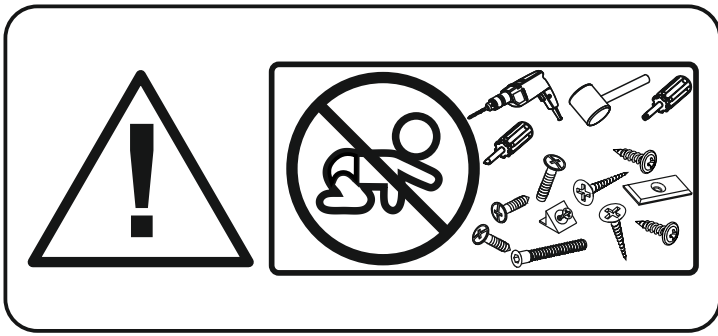
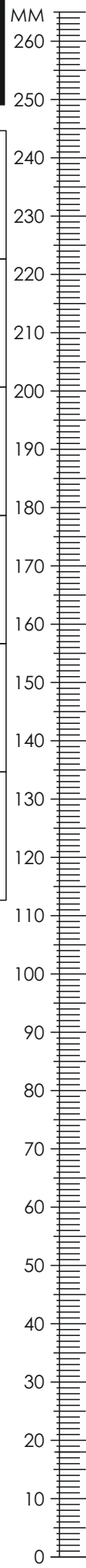


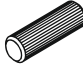
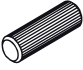
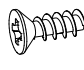
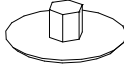

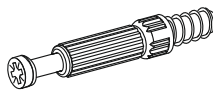
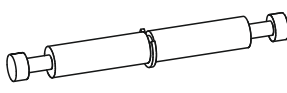

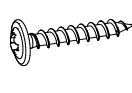
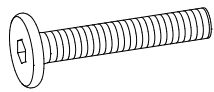
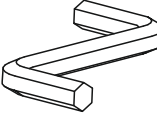
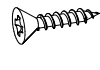
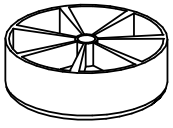
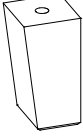

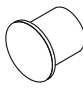
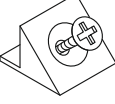
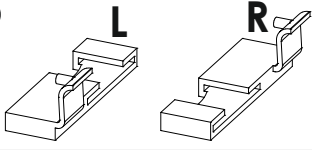
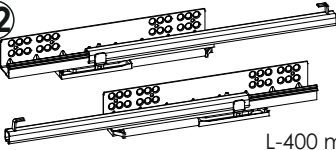
PLIT01



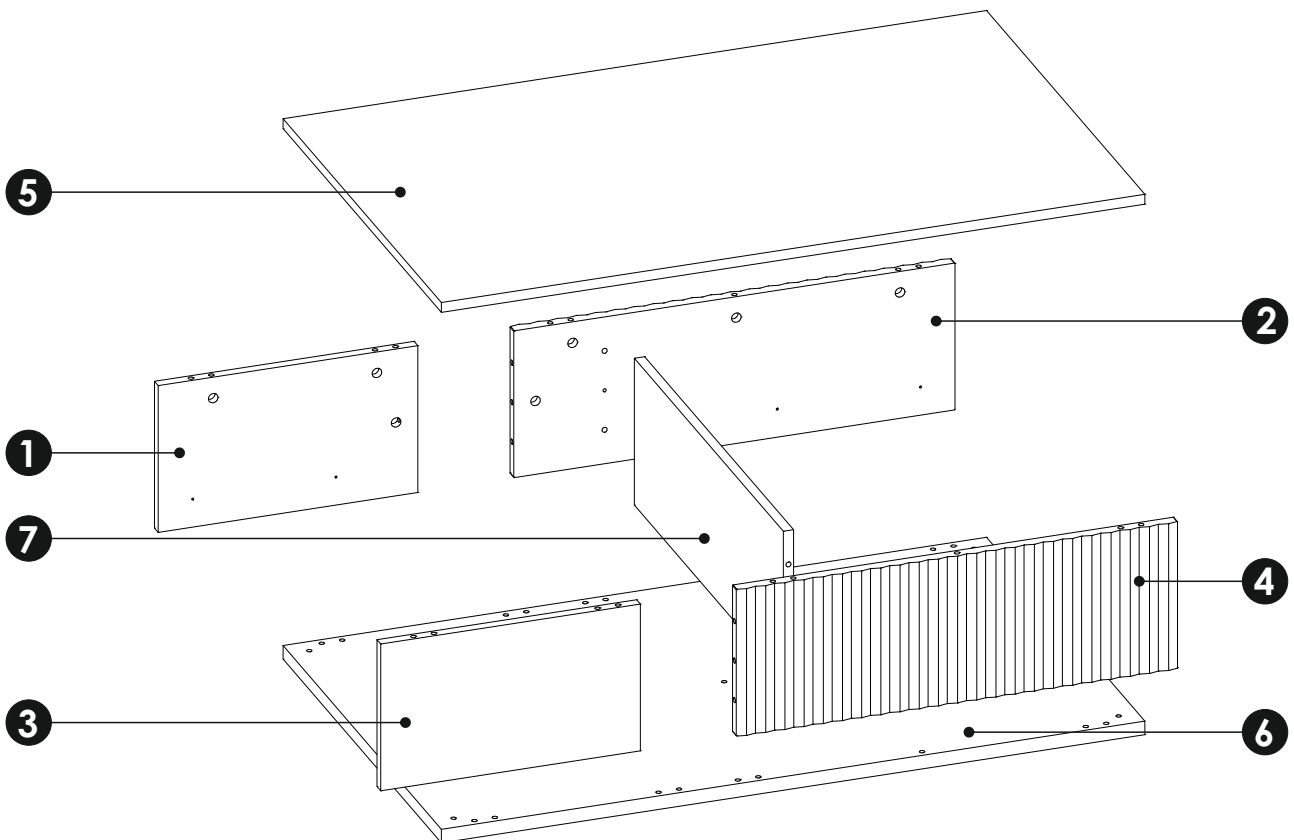
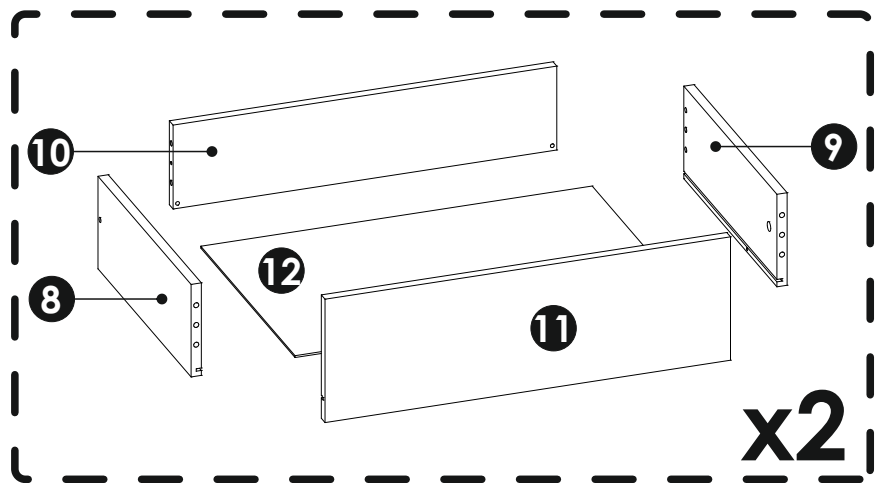
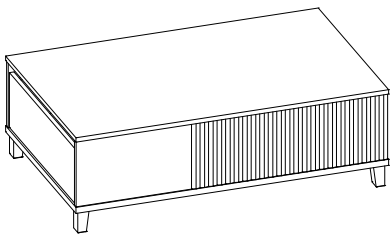


PLITO1



A1 8 x 35 mm x36 	A2 8 x 45 mm x4 	C2 5 x 13 mm x8 
E0 Ø16 x4 	E1 15 x 12 mm x20 	F1 6 x 34 mm x16 
F3 7 x 58 mm x2 	G1 7 x 50 mm x14 	I3 3,5 x 22 mm x5 
K18 6 x 35 mm x5 	M x1 	N1 3 x 16 mm x15 
O1 x5 	O2 x5 	O2A ø20 x5 
P2 x5  Ø8	R4 x2 	TZ L R x2 
T12 x2  L-400 mm		

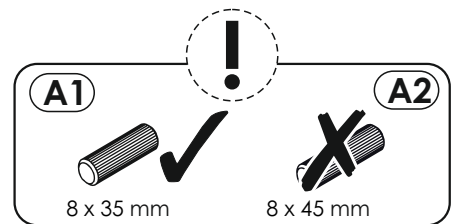
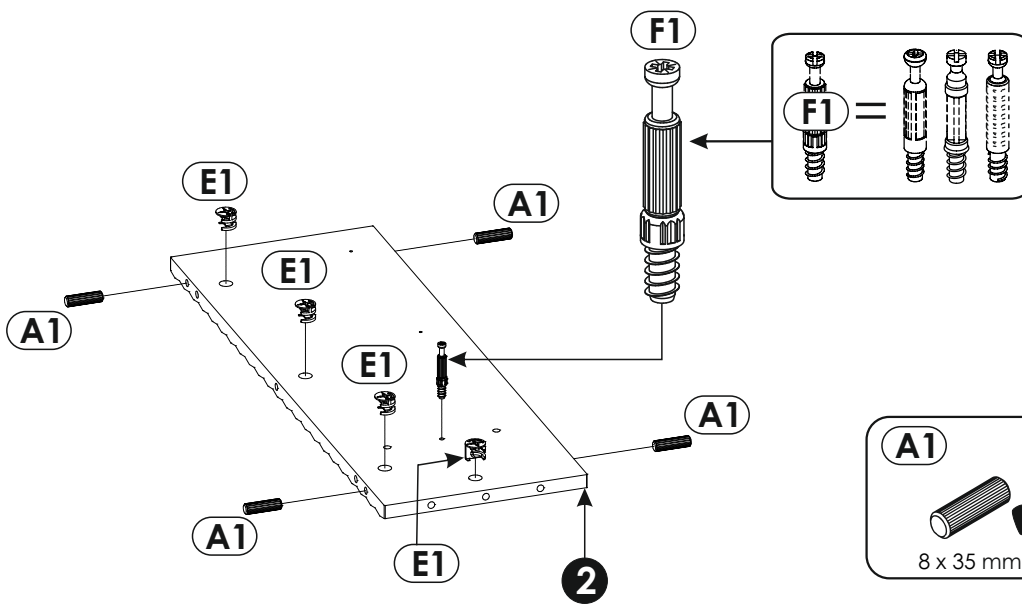
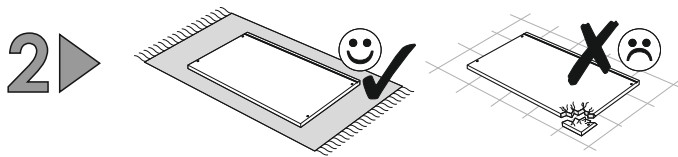
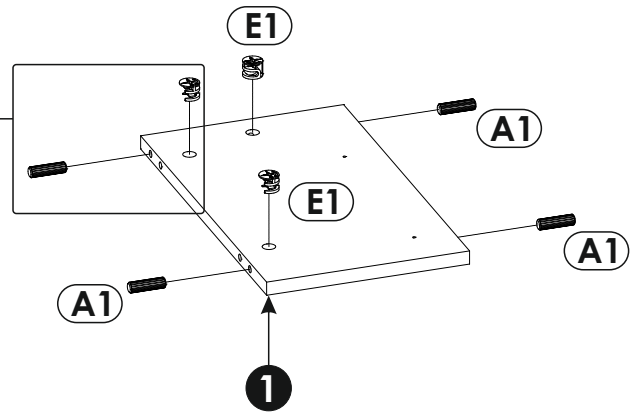
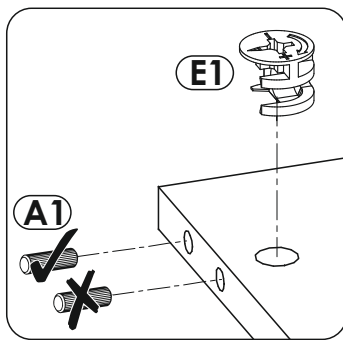
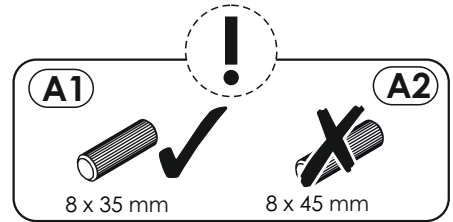
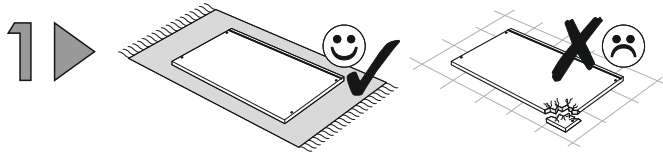
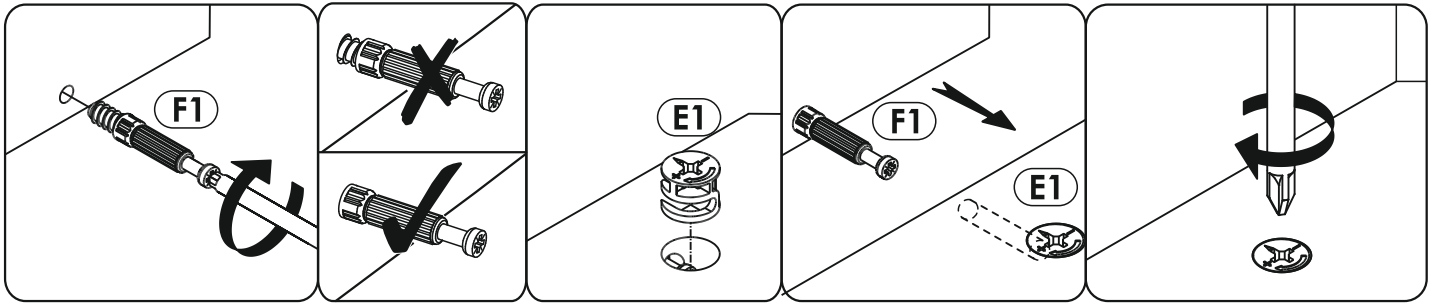
PLIT01

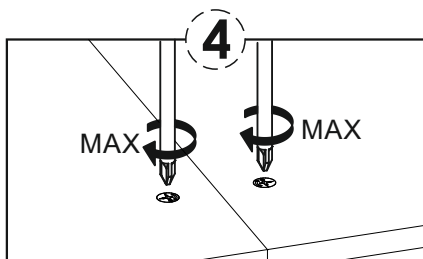
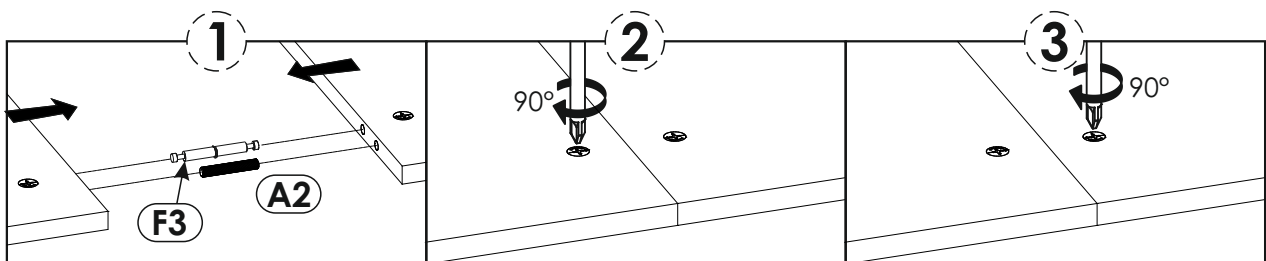
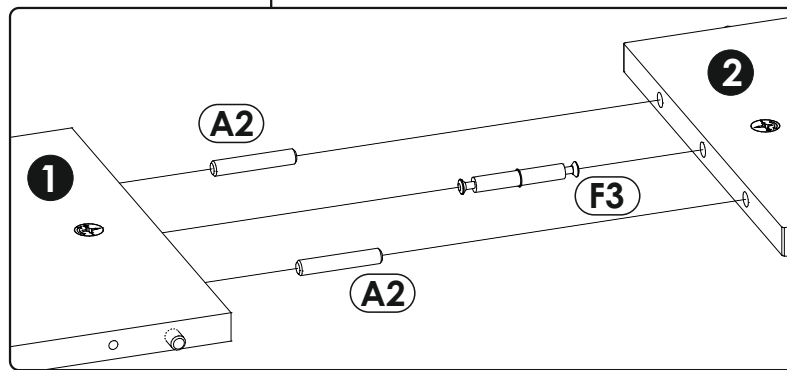
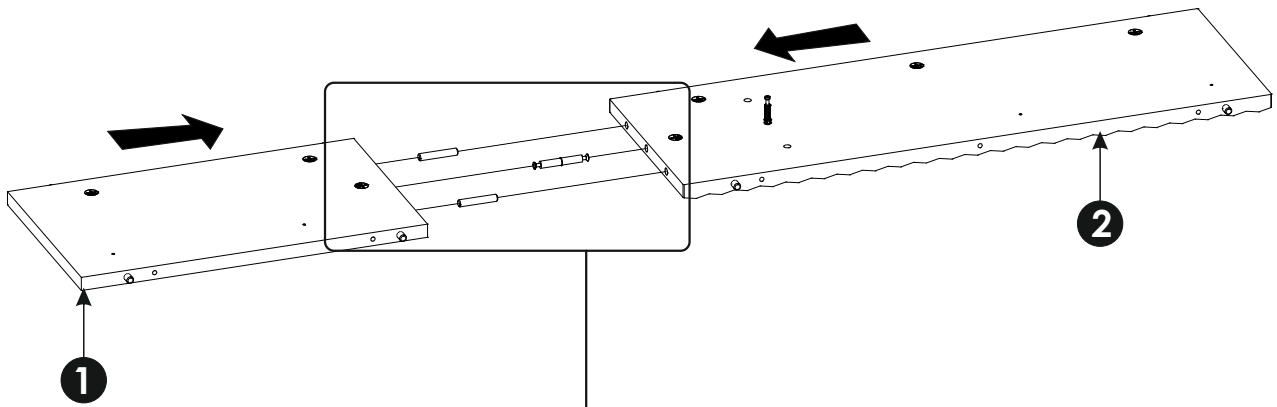
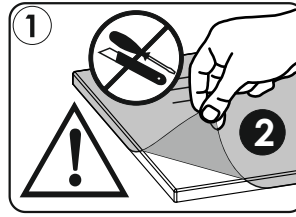
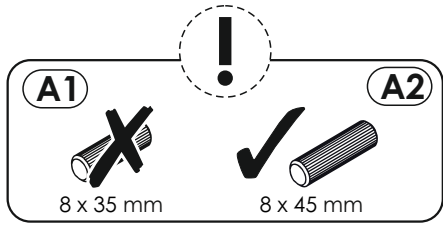
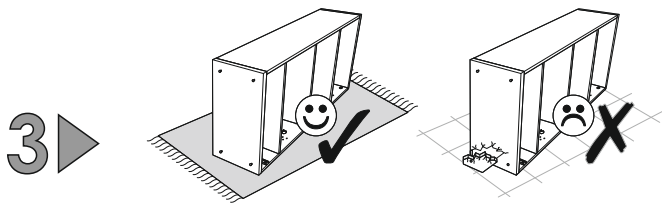


1	406	238	16	x1	1/2
2	238	690	19	x1	1/2
3	406	238	16	x1	1/2
4	238	690	19	x1	1/2

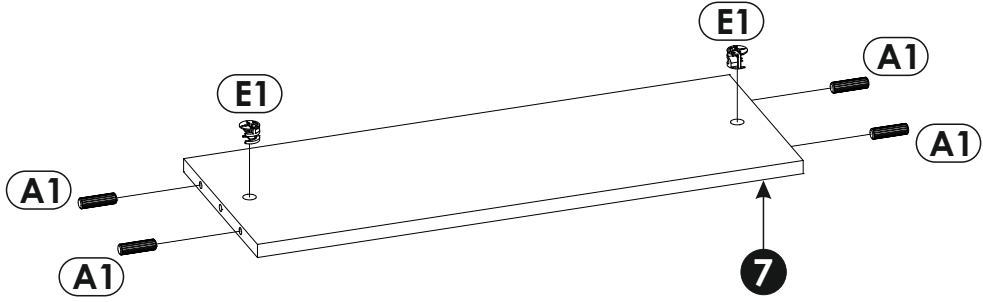
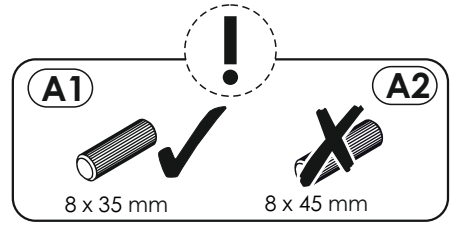
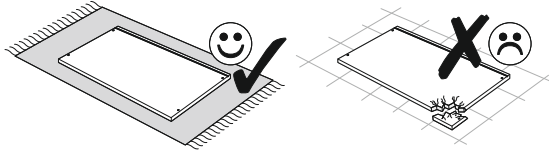
5	1100	680	16	x1	2/2
6	1100	680	22	x1	2/2
7	640	238	16	x1	1/2
8	400	150	16	x2	1/2

9	400	150	16	x2	1/2
10	600	136	16	x2	1/2
11	634	200	16	x2	1/2
12	612	405	3	x2	2/2

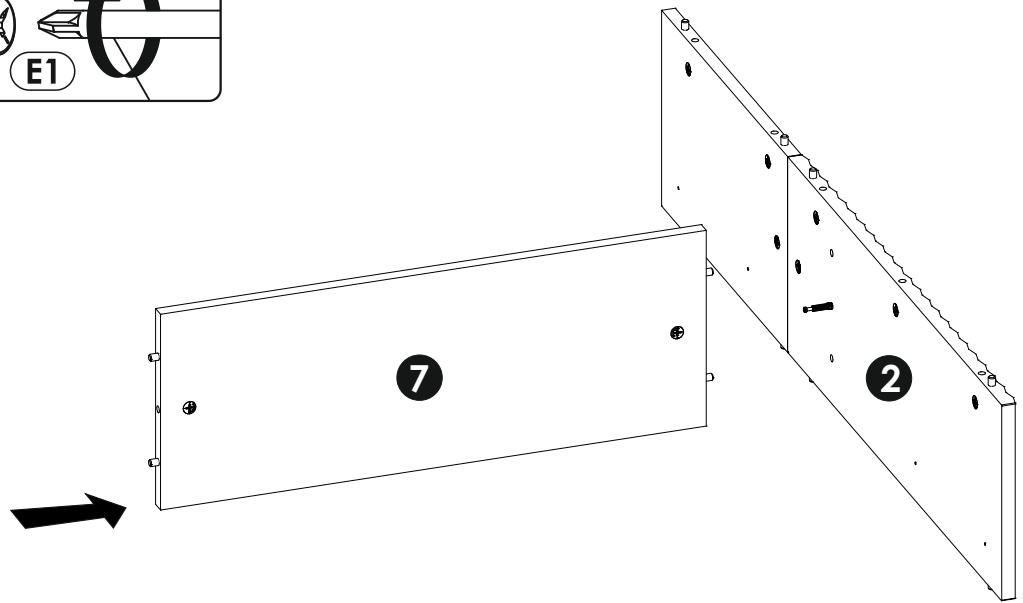
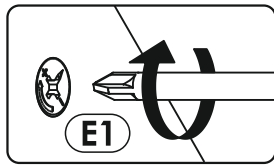
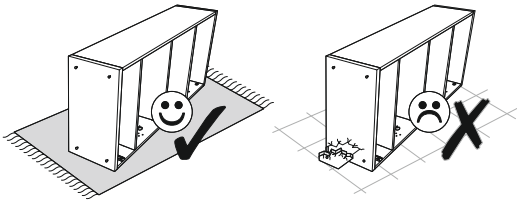




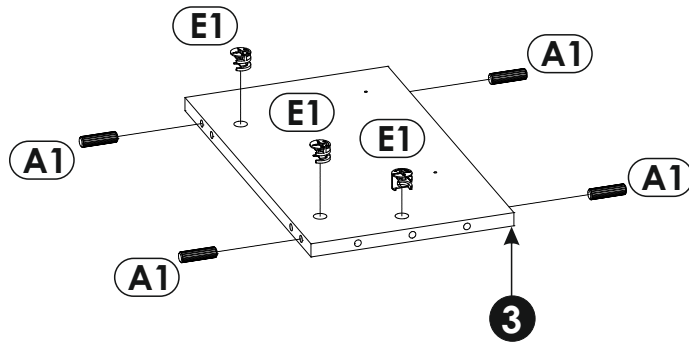
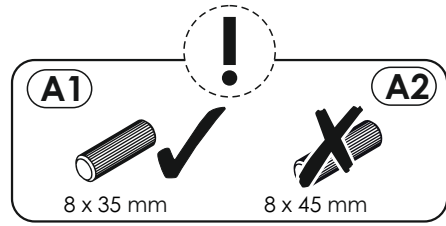
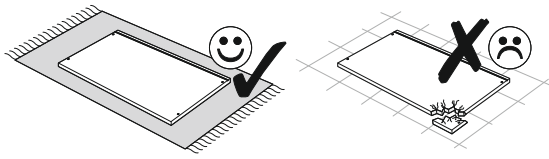
4 ▶



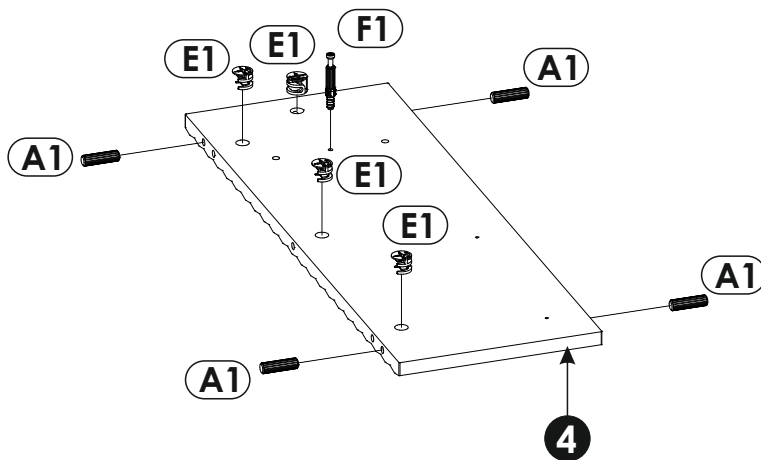
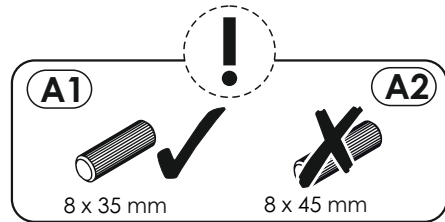
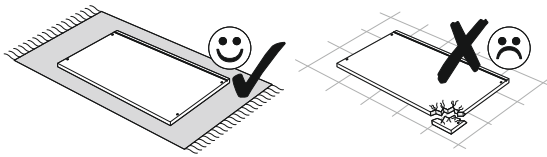
5 ▶



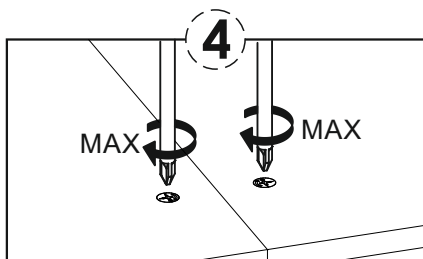
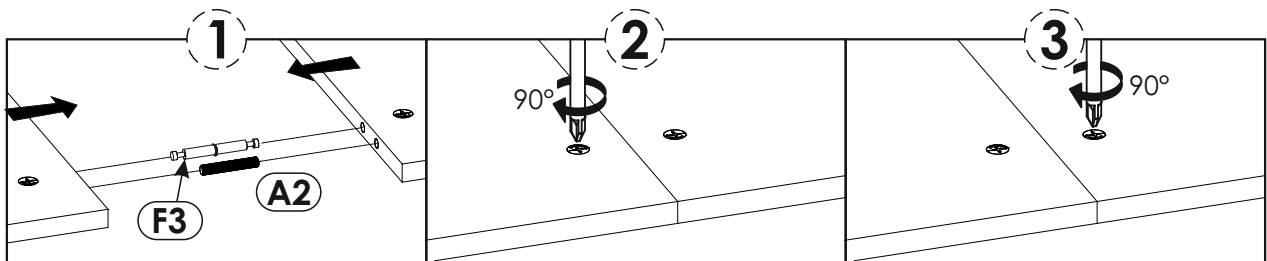
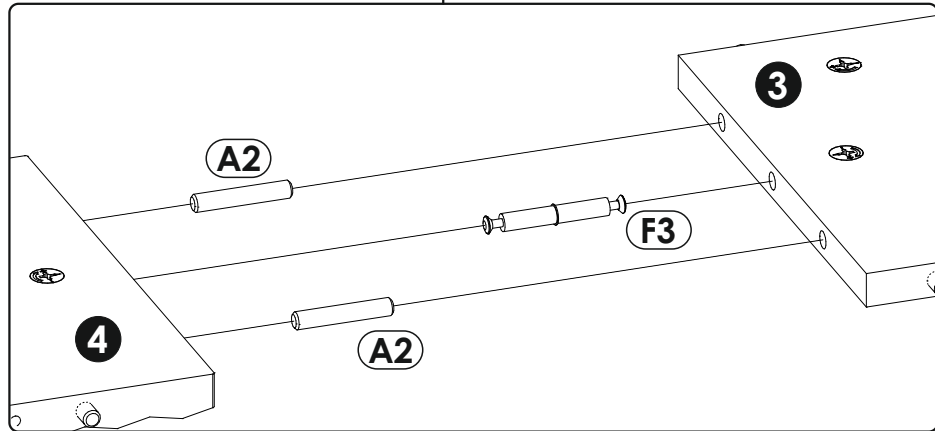
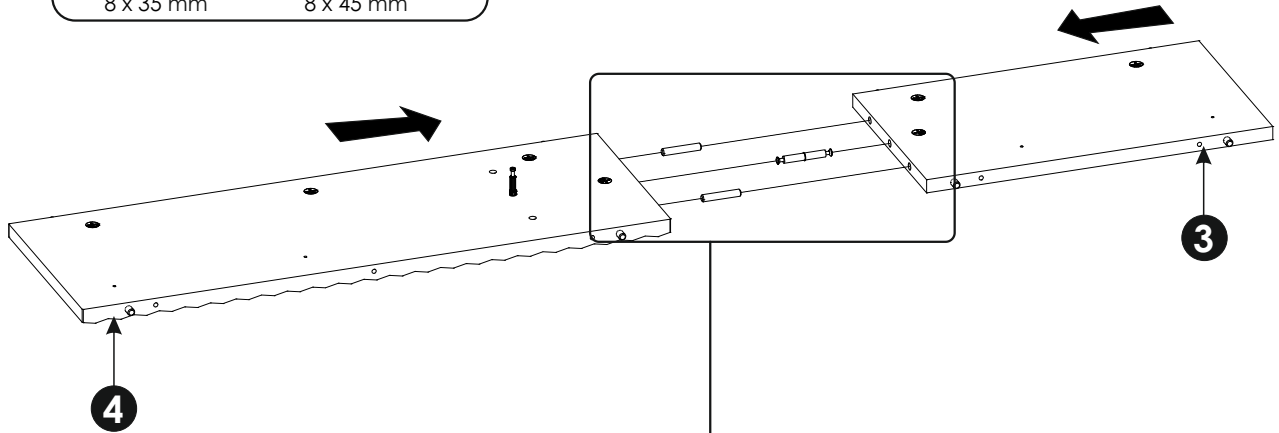
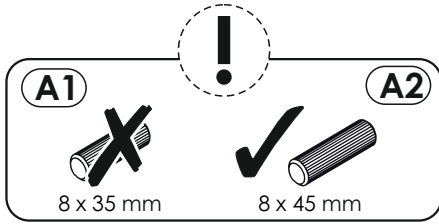
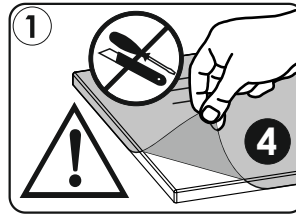
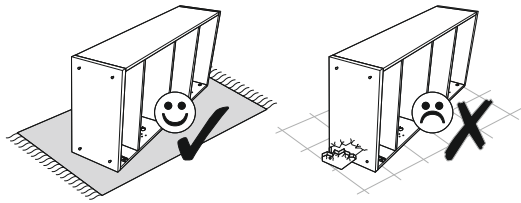
6 ▶



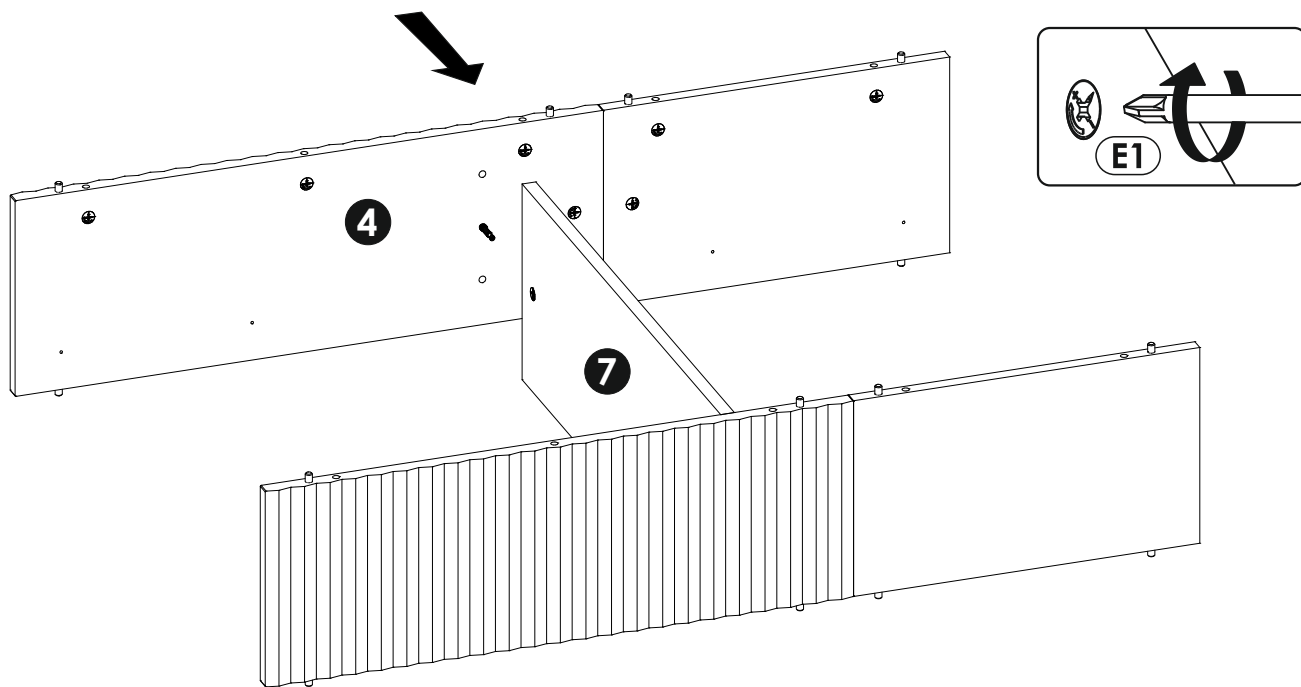
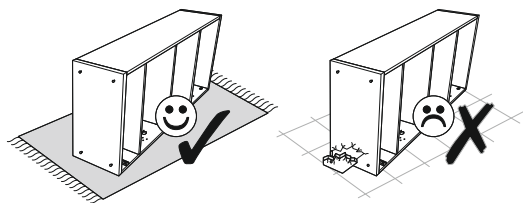
7 ▶



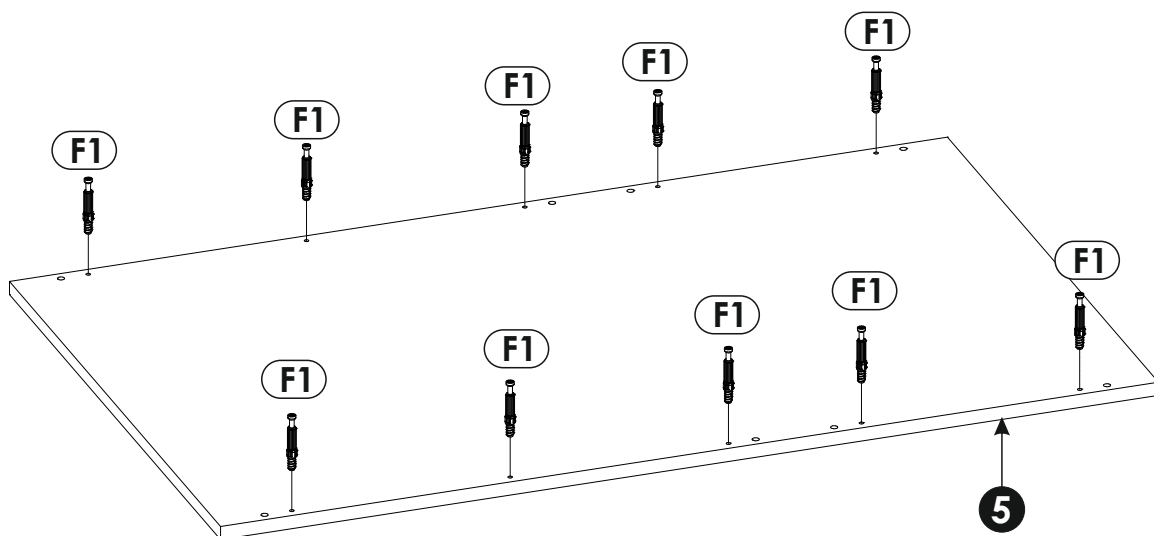
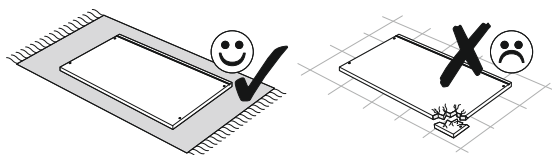
8 ▶

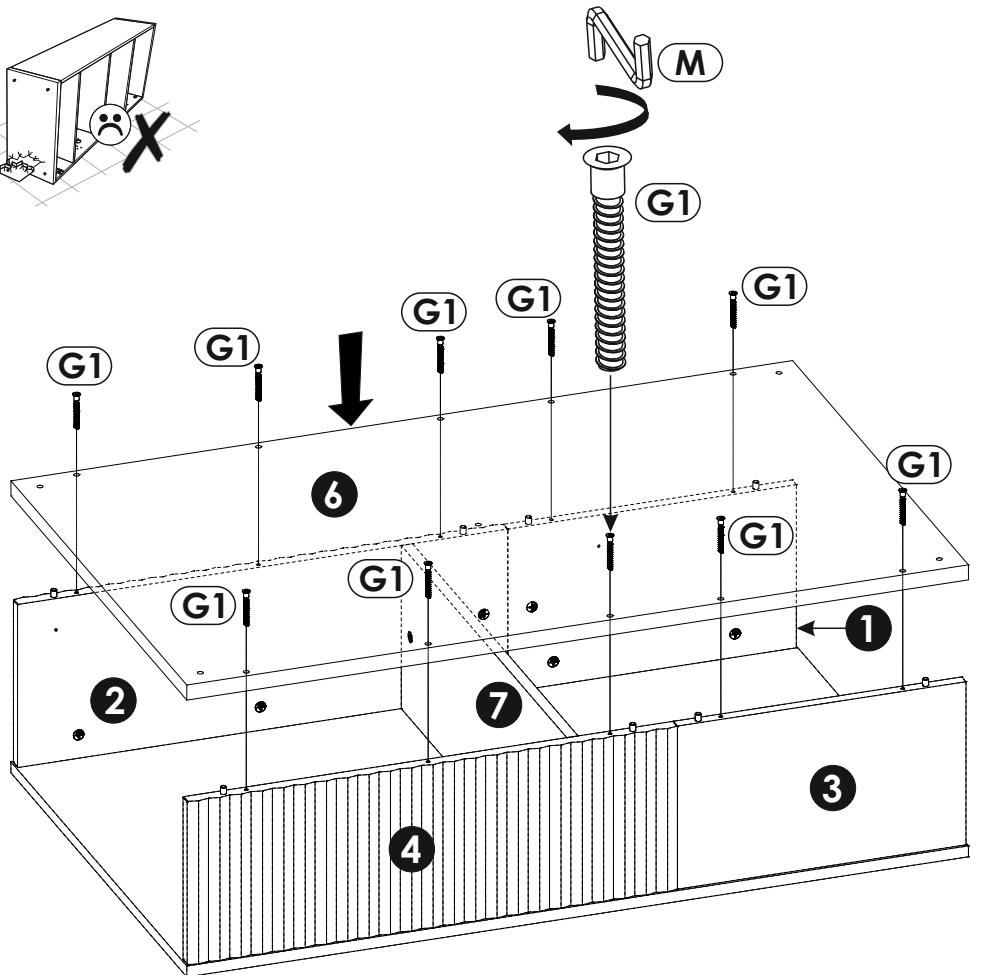
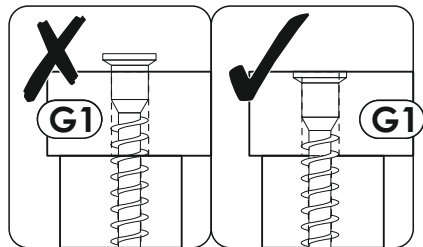
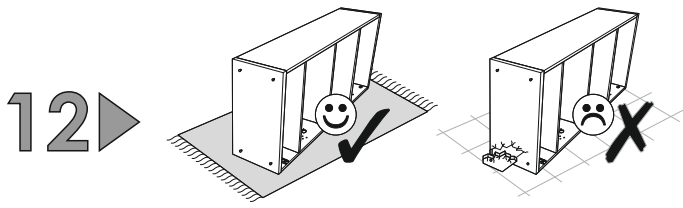
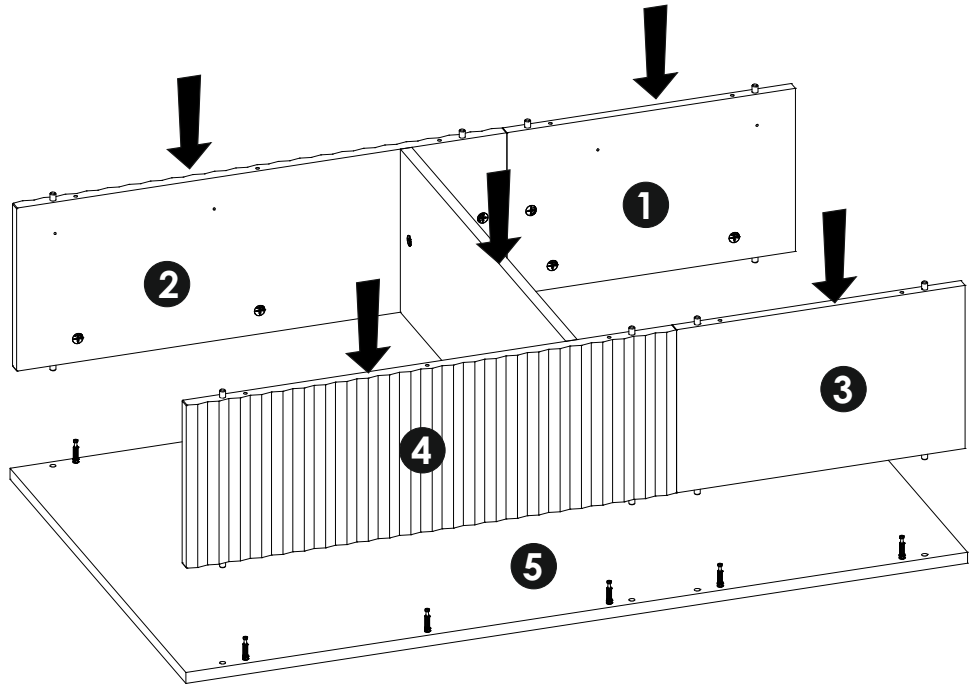
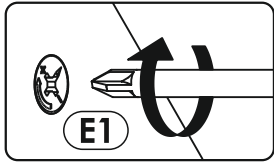
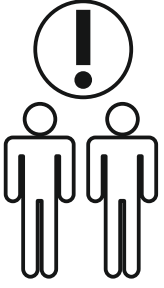
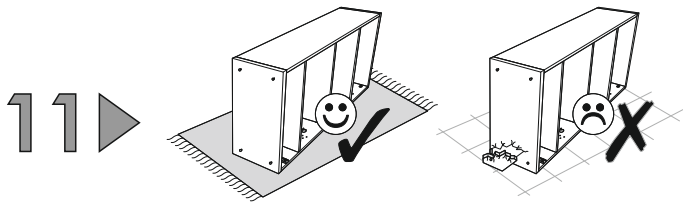


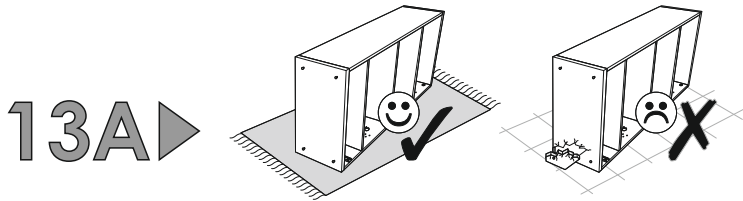
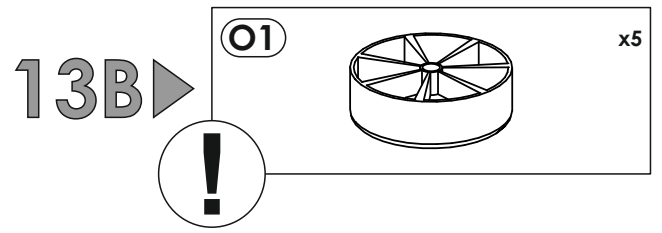
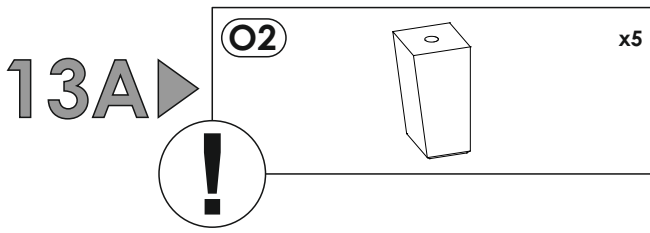
9 ▶



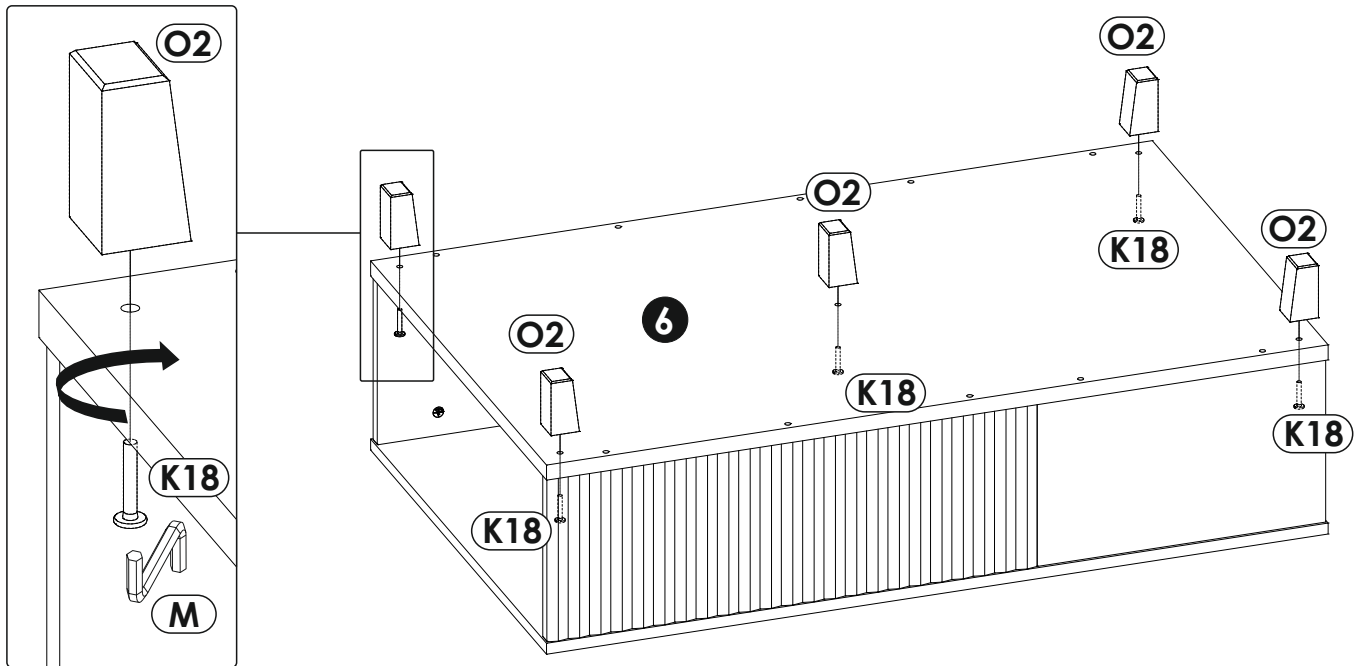
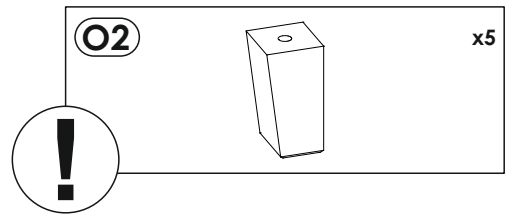
10 ▶



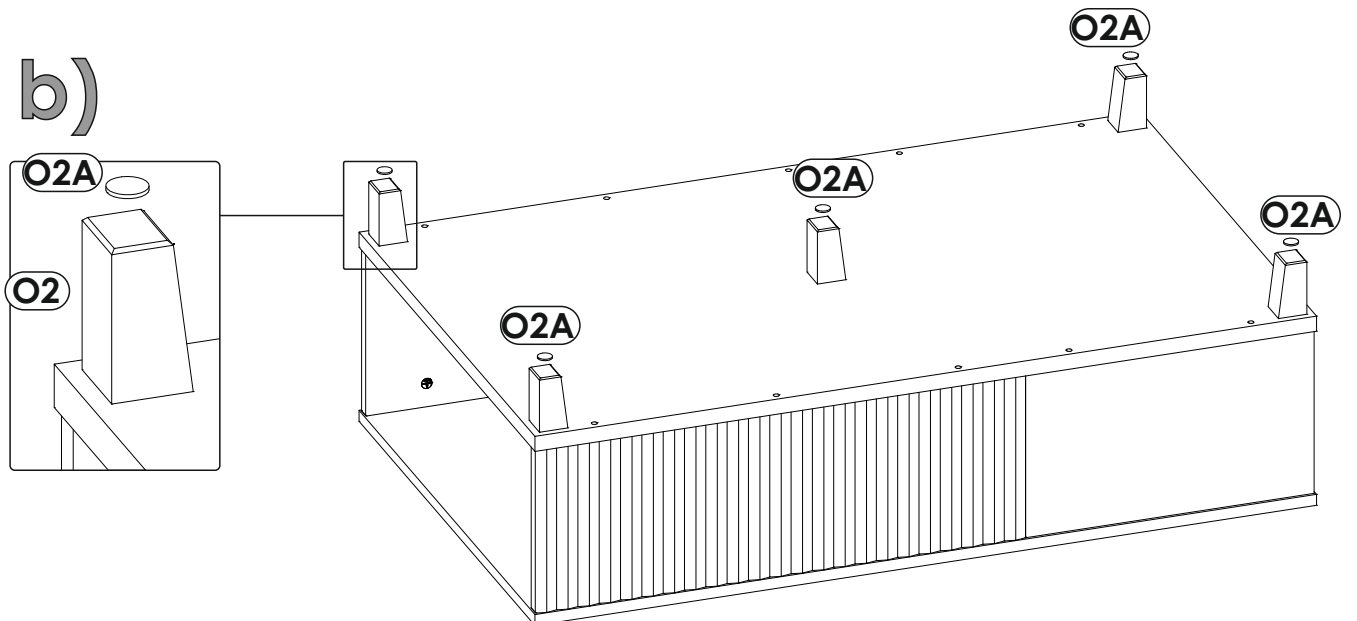




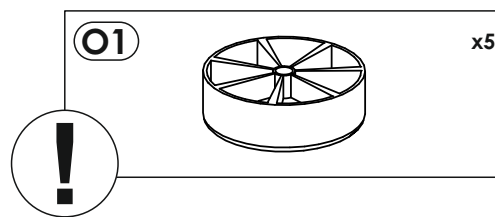
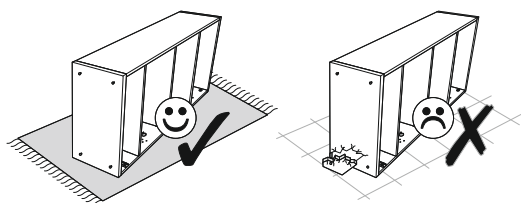
a)



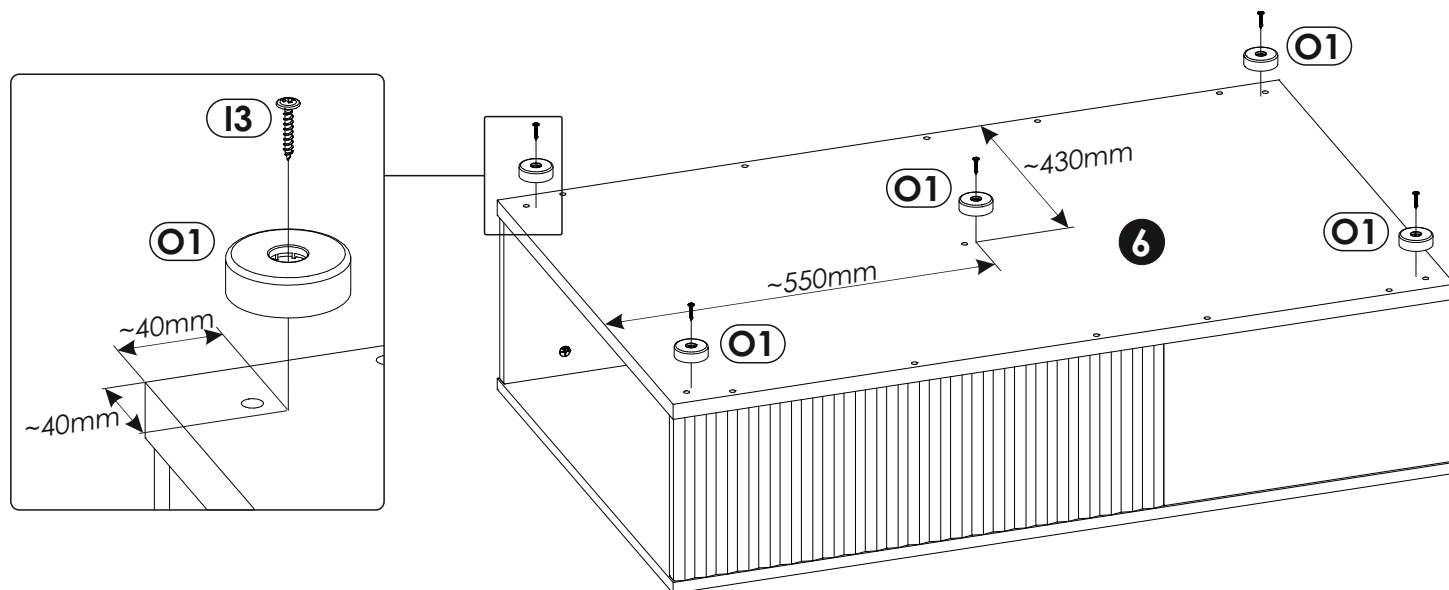
b)



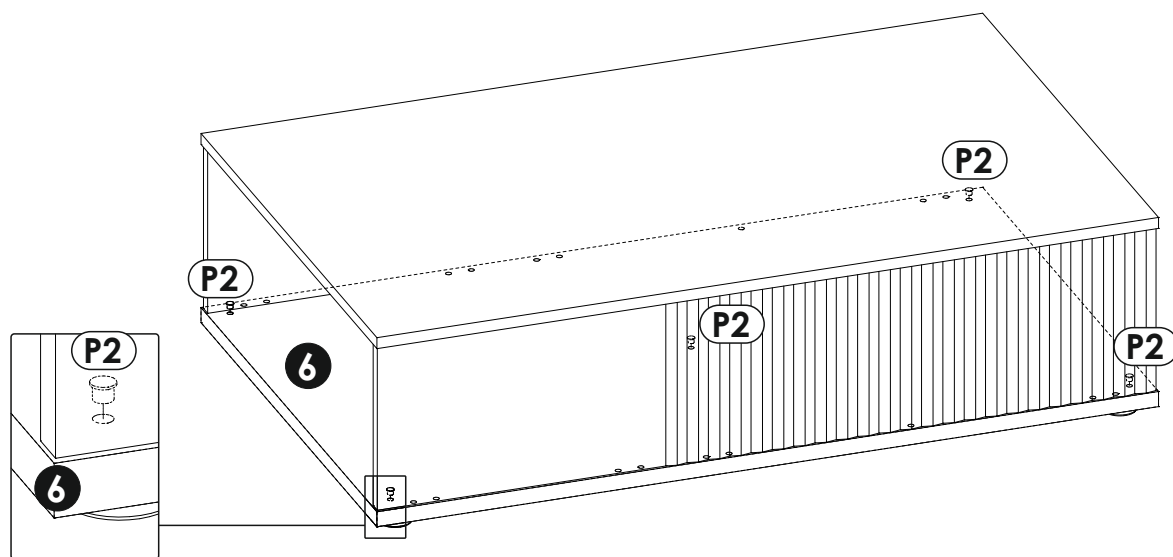
13B ▶



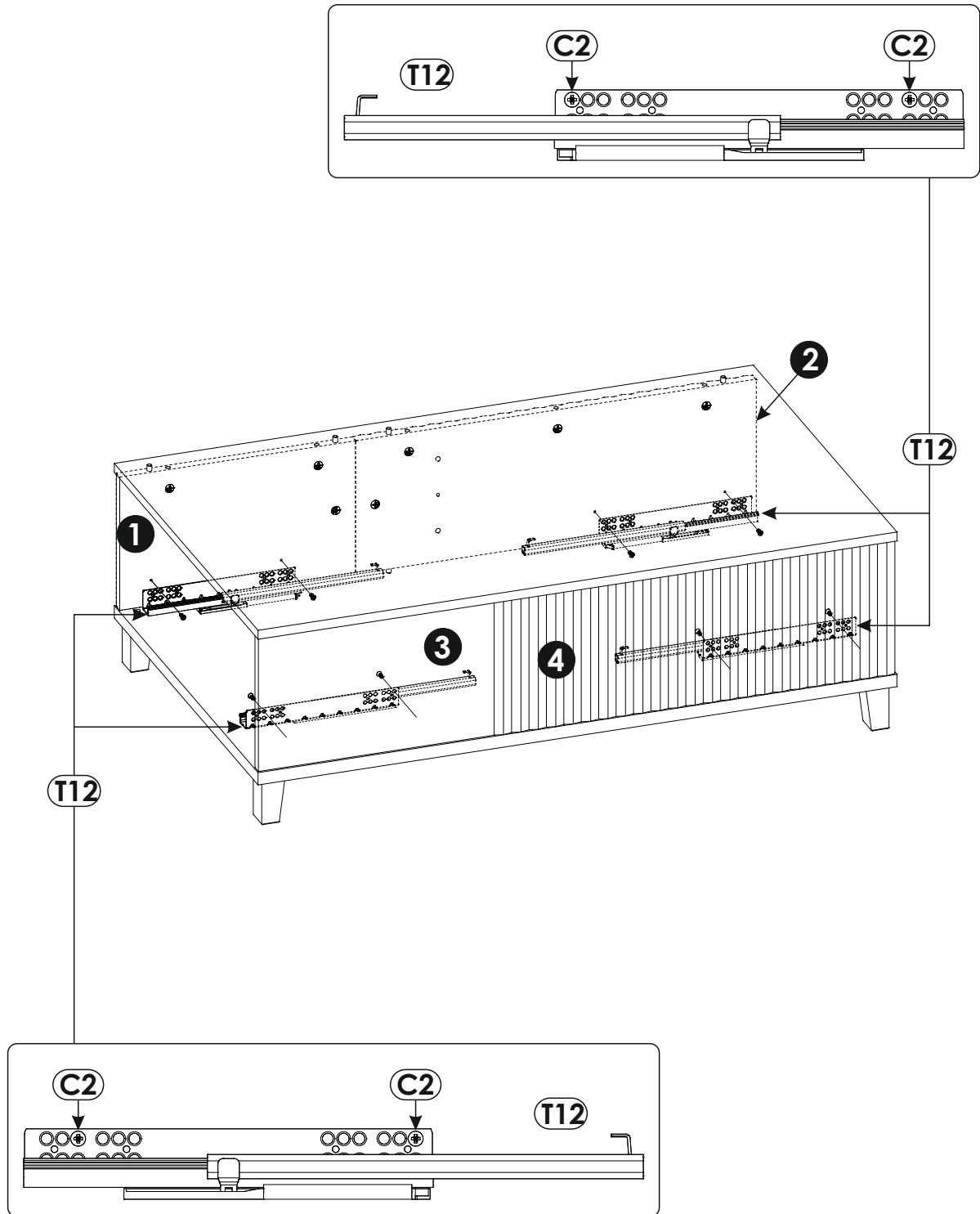
a)



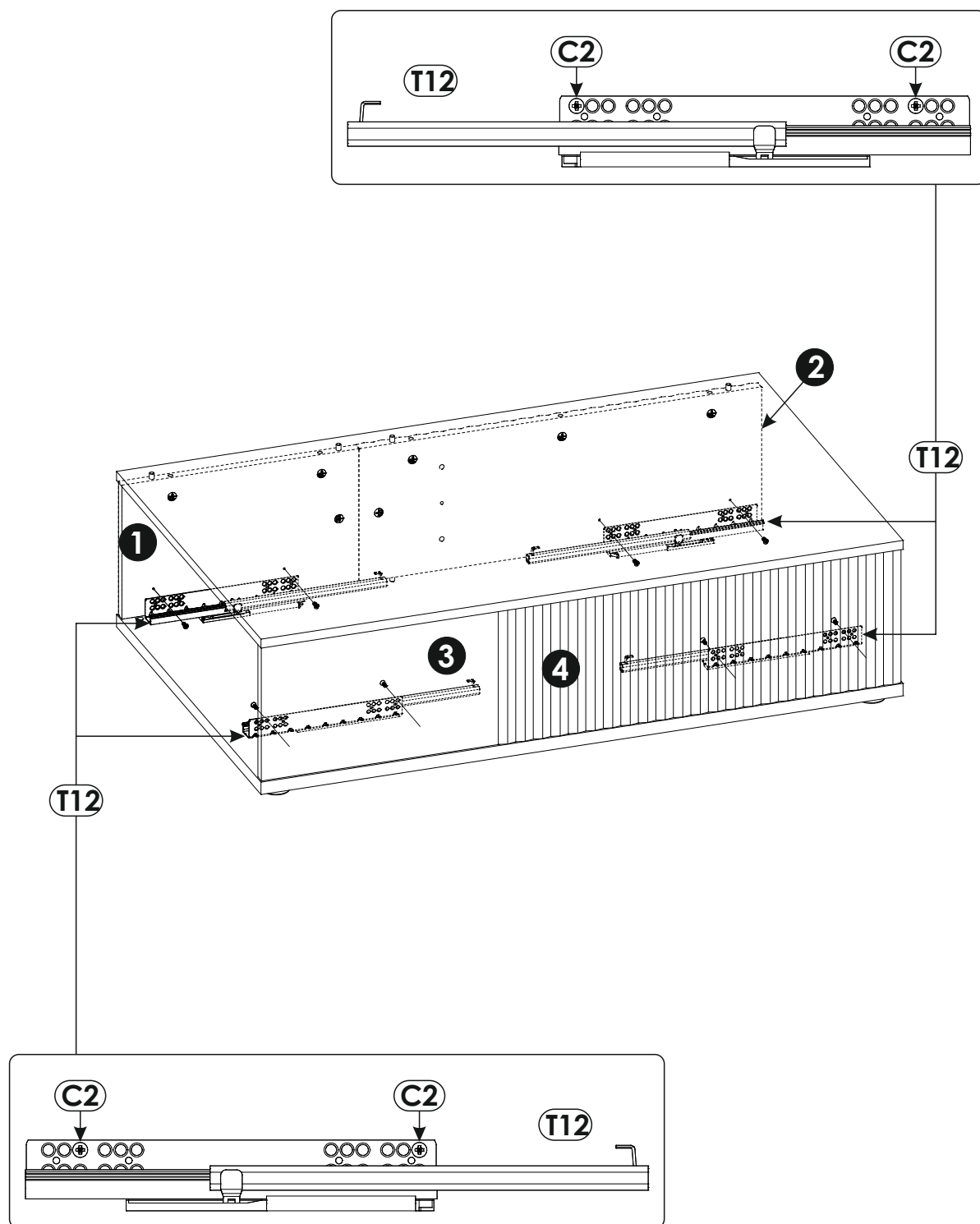
b)



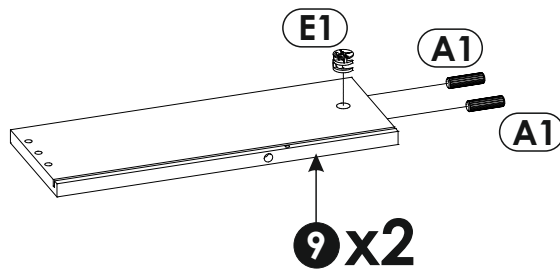
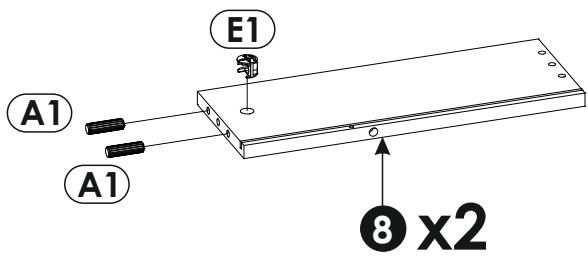
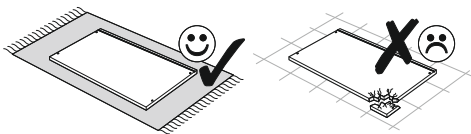
14A ▶



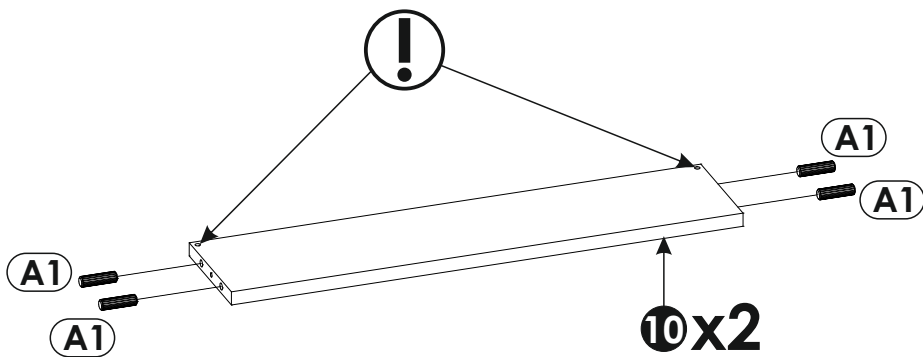
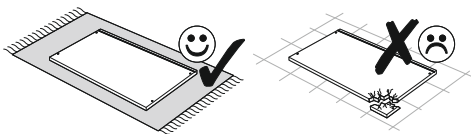
14B▶



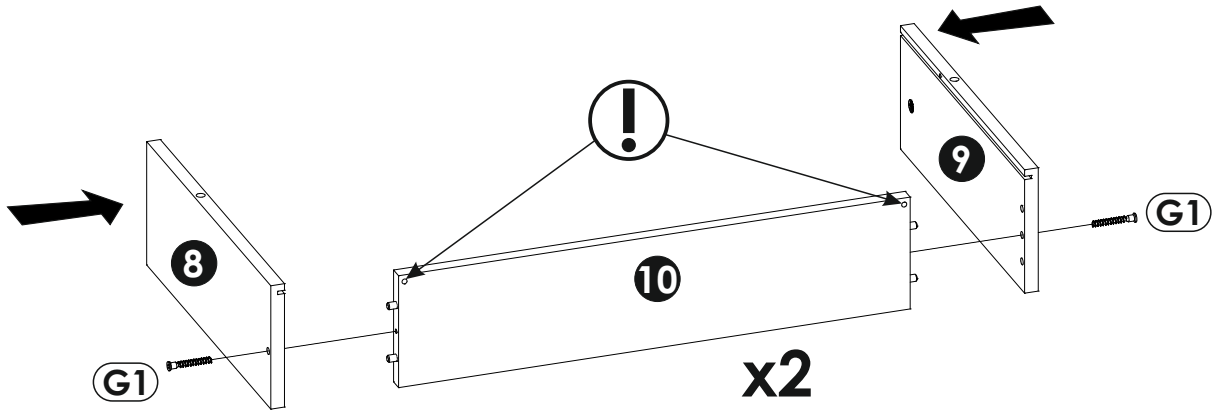
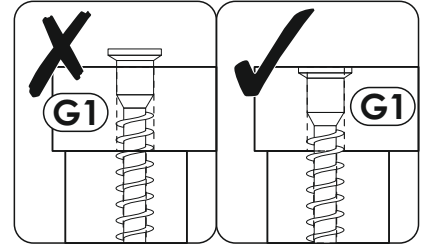
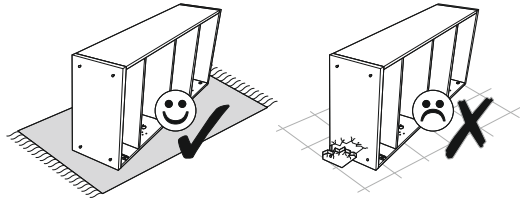
15▶



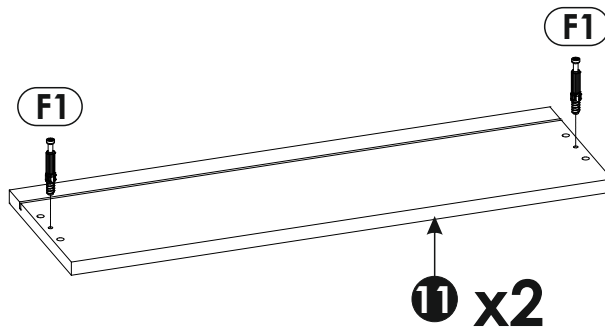
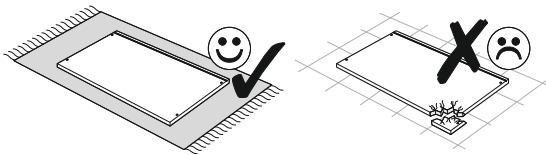
16▶



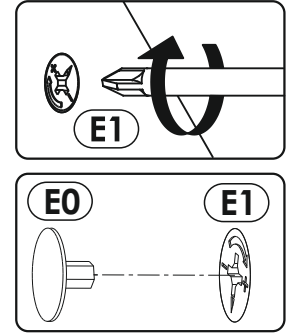
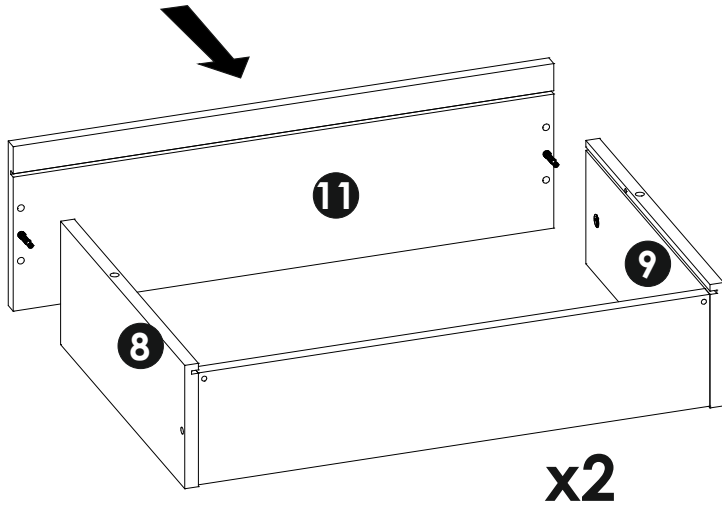
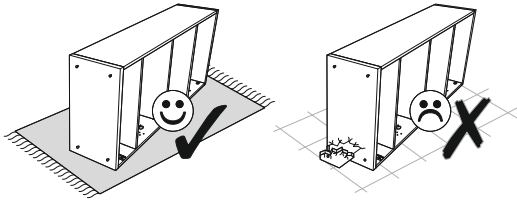
17▶



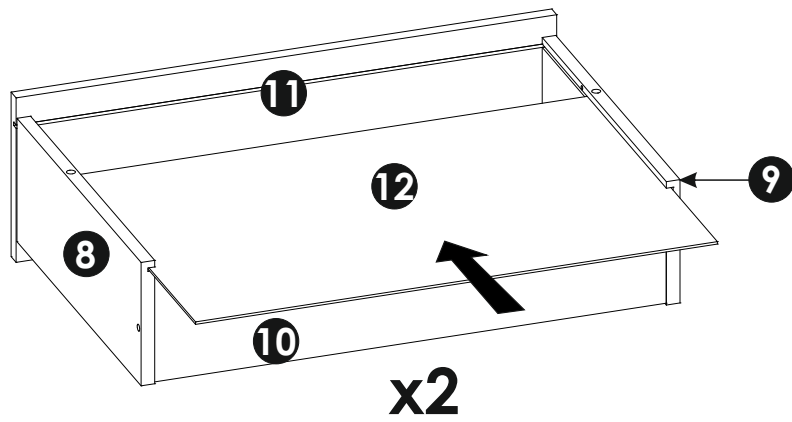
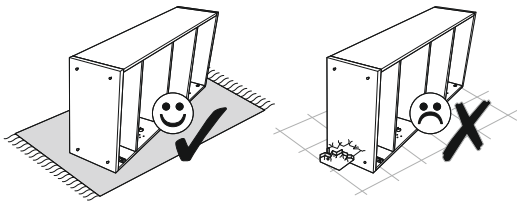
18▶

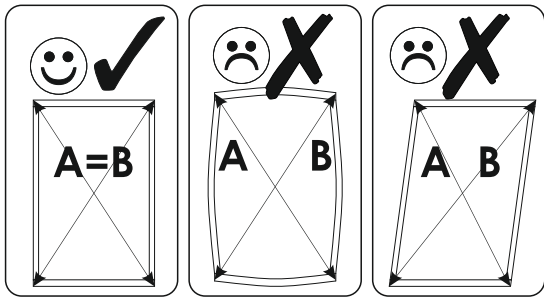
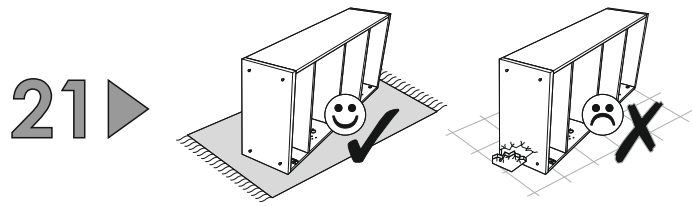


19 ▶

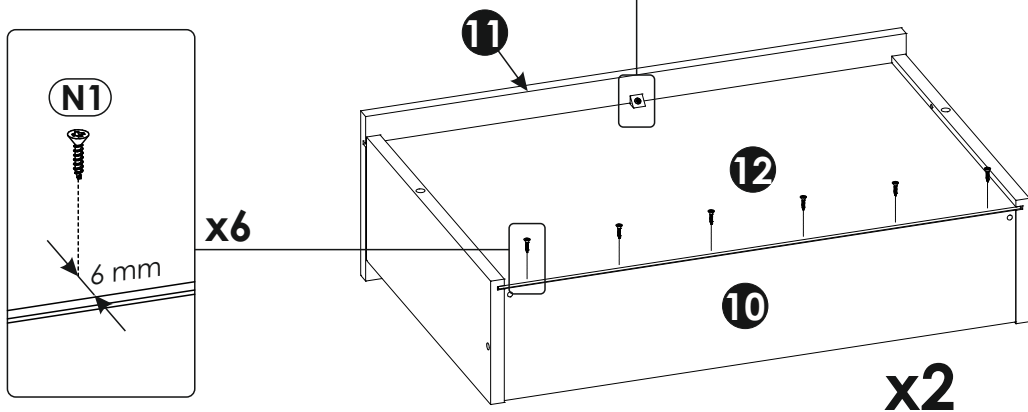
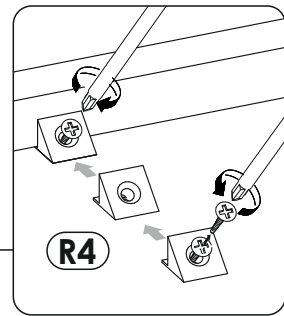
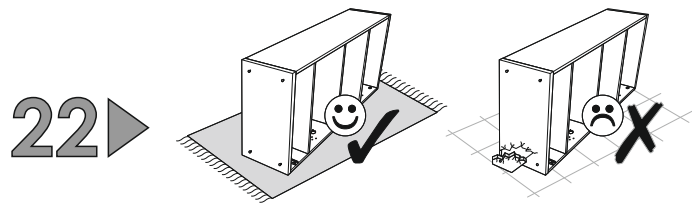
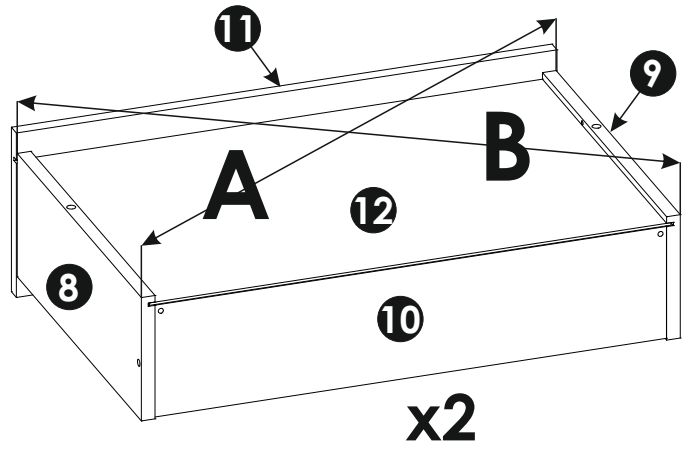


20 ▶

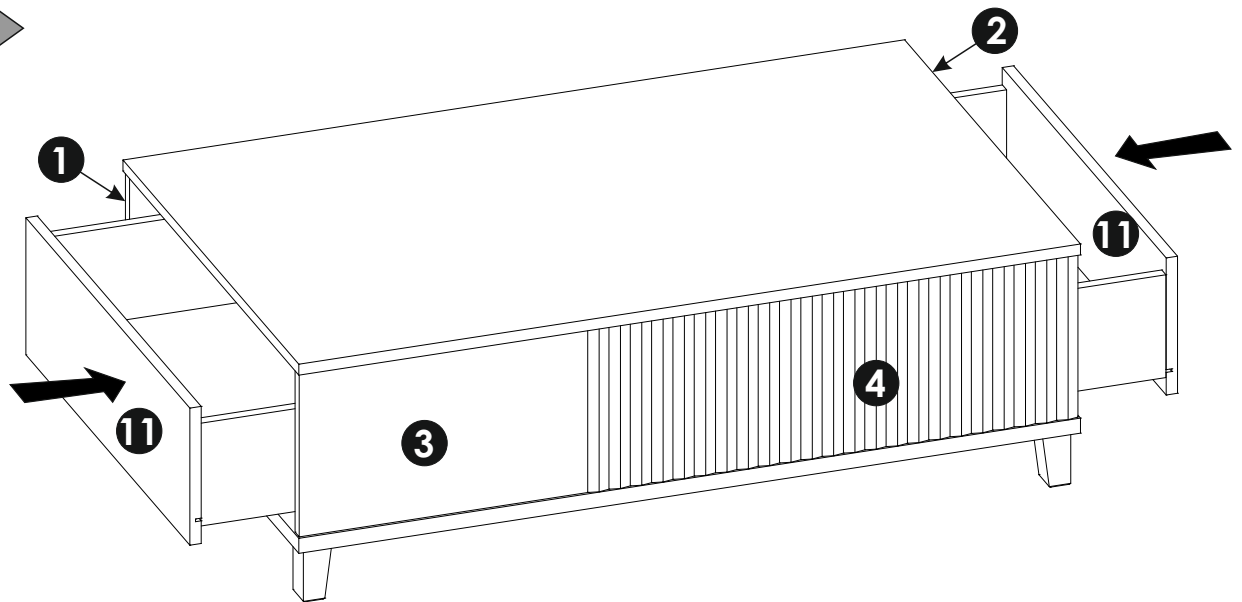




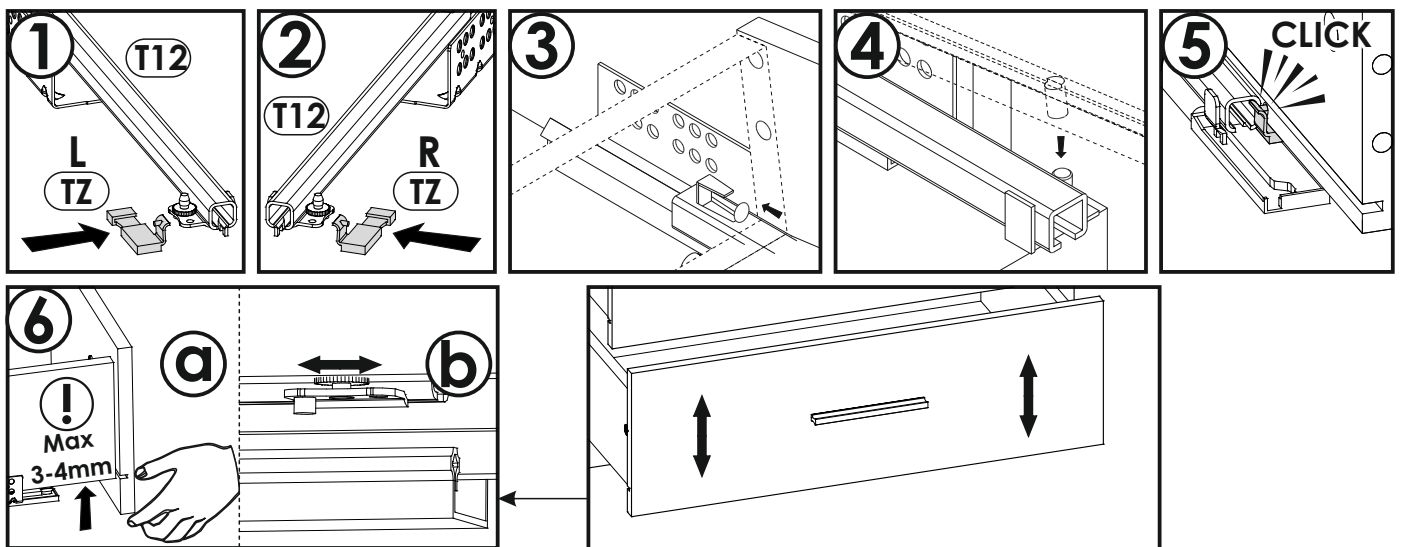
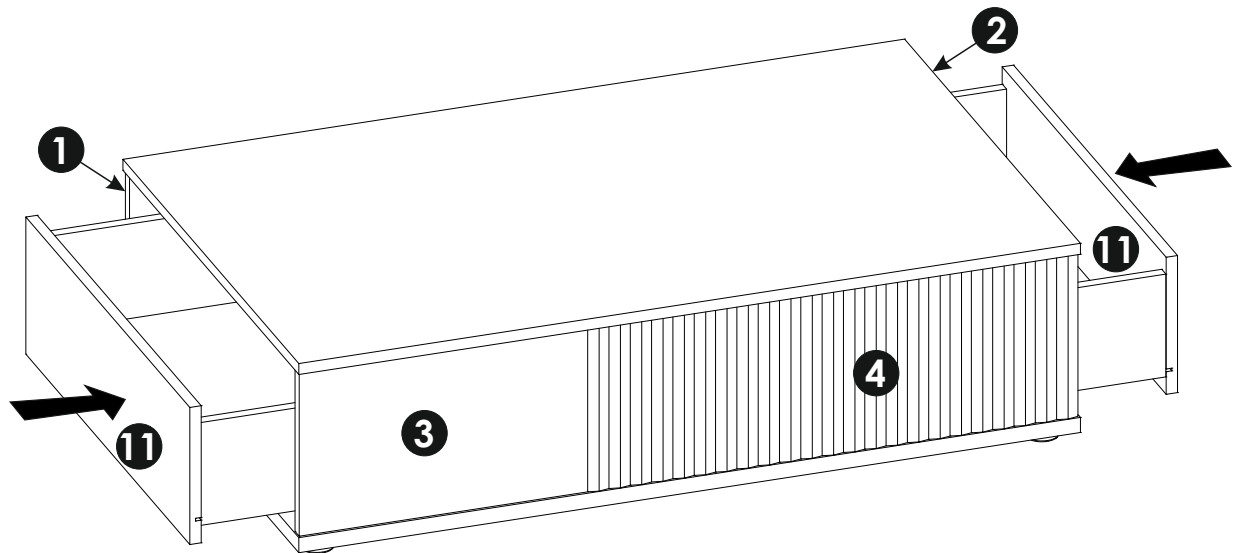
A=B



23A ▶

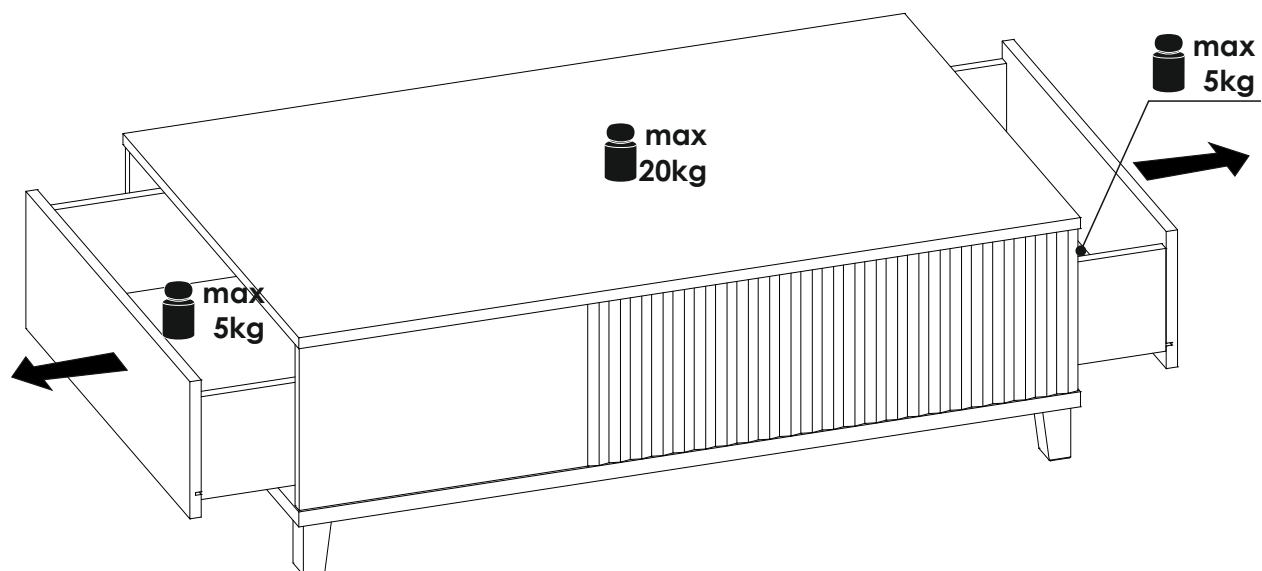


23B ▶





24A ▶



24B ▶

