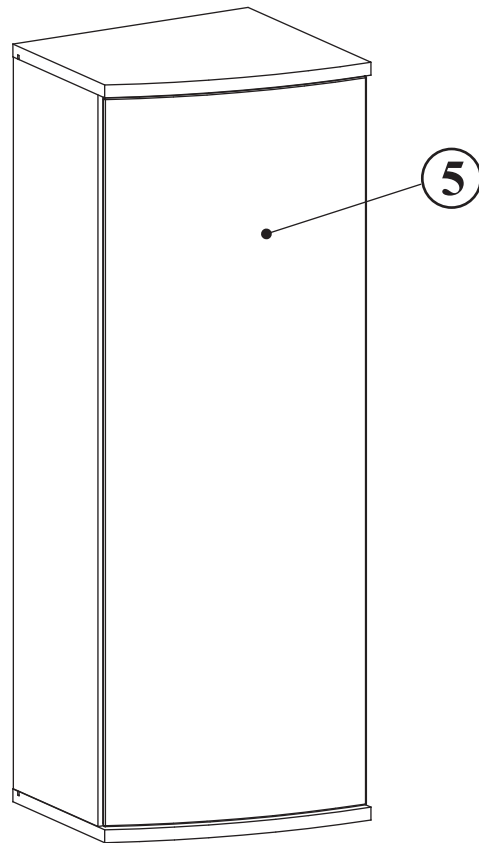
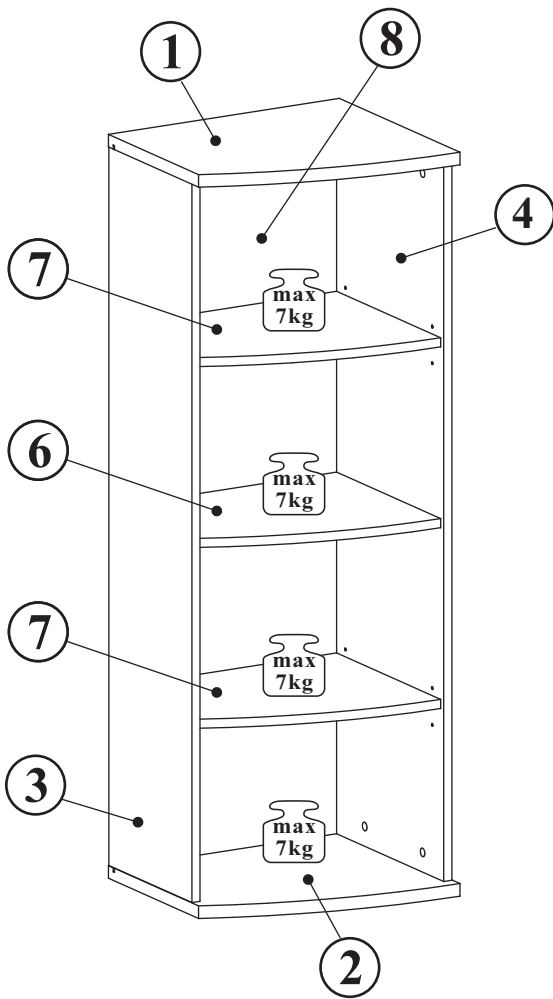
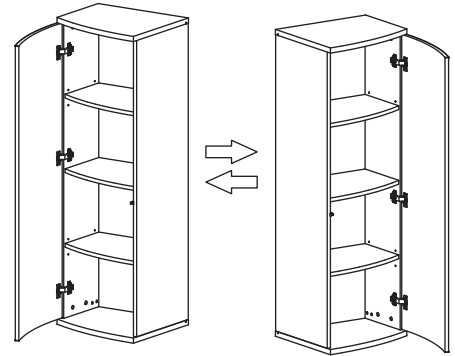
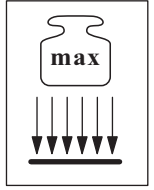
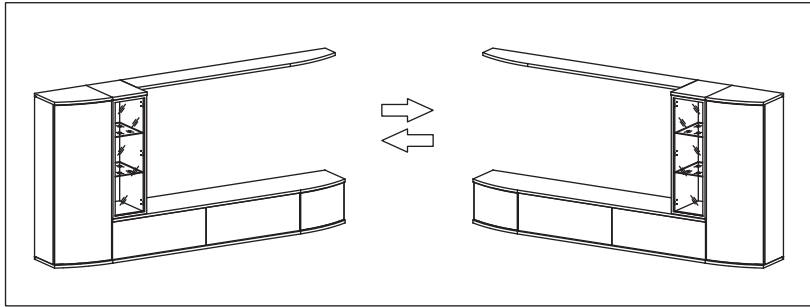
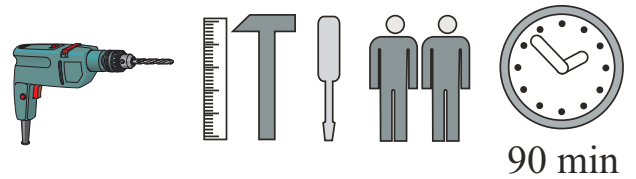


DARK 20_DK TYP-10



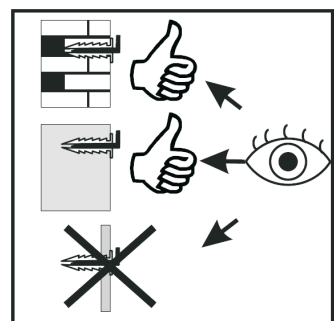
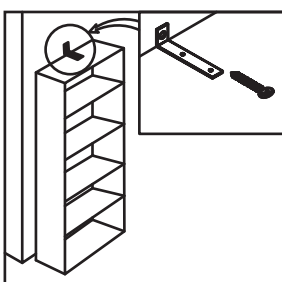
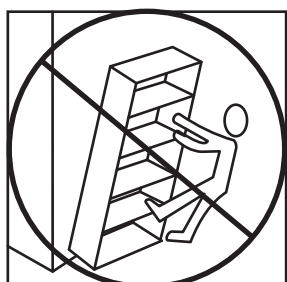
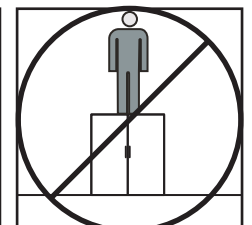
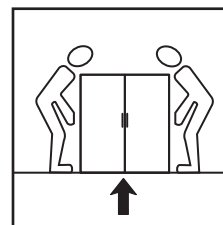
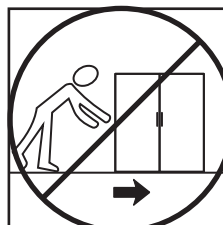
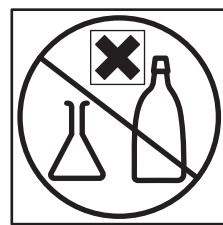
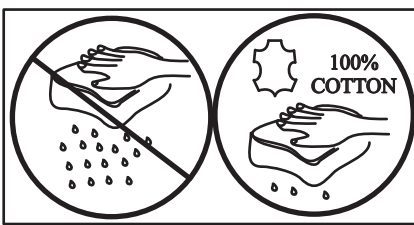
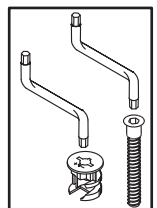
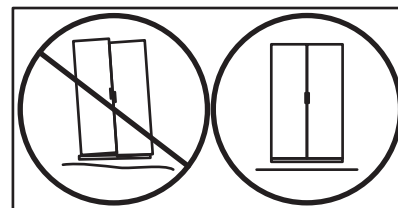
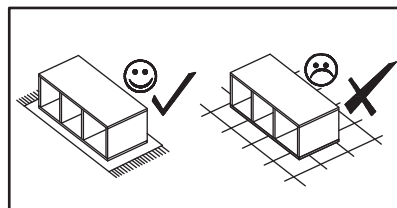
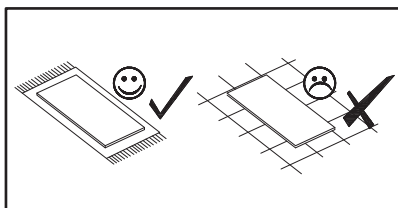
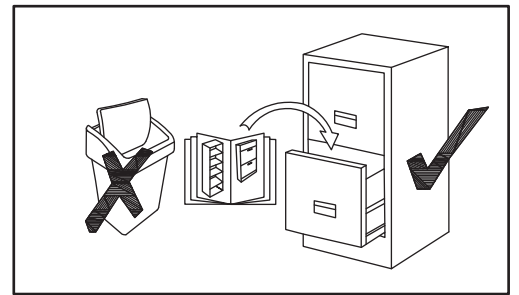
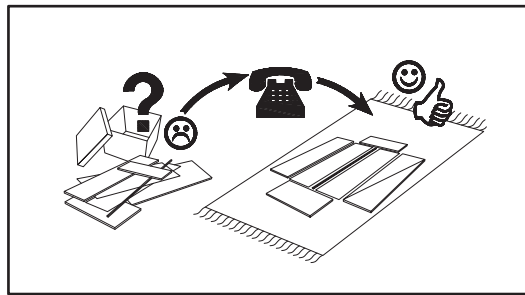
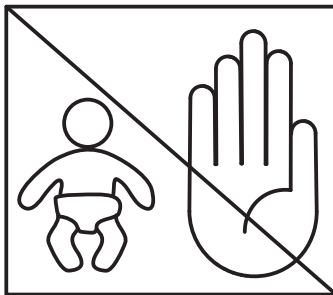
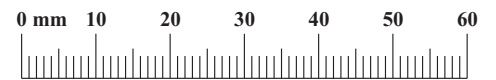
NO	Dim.		Col-No	Qty	
1	452	400	22	3	1
2	452	400	22	3	1
3	1256	275	16	3	1
4	1256	375	16	3	1
5	456	1250	19	3	1
6	418	345	16	3	1
7	418	345	16	3	2
8	1268	430	3	3	1



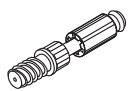

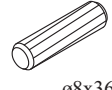
90 min

DARK 20_DK TYP-10

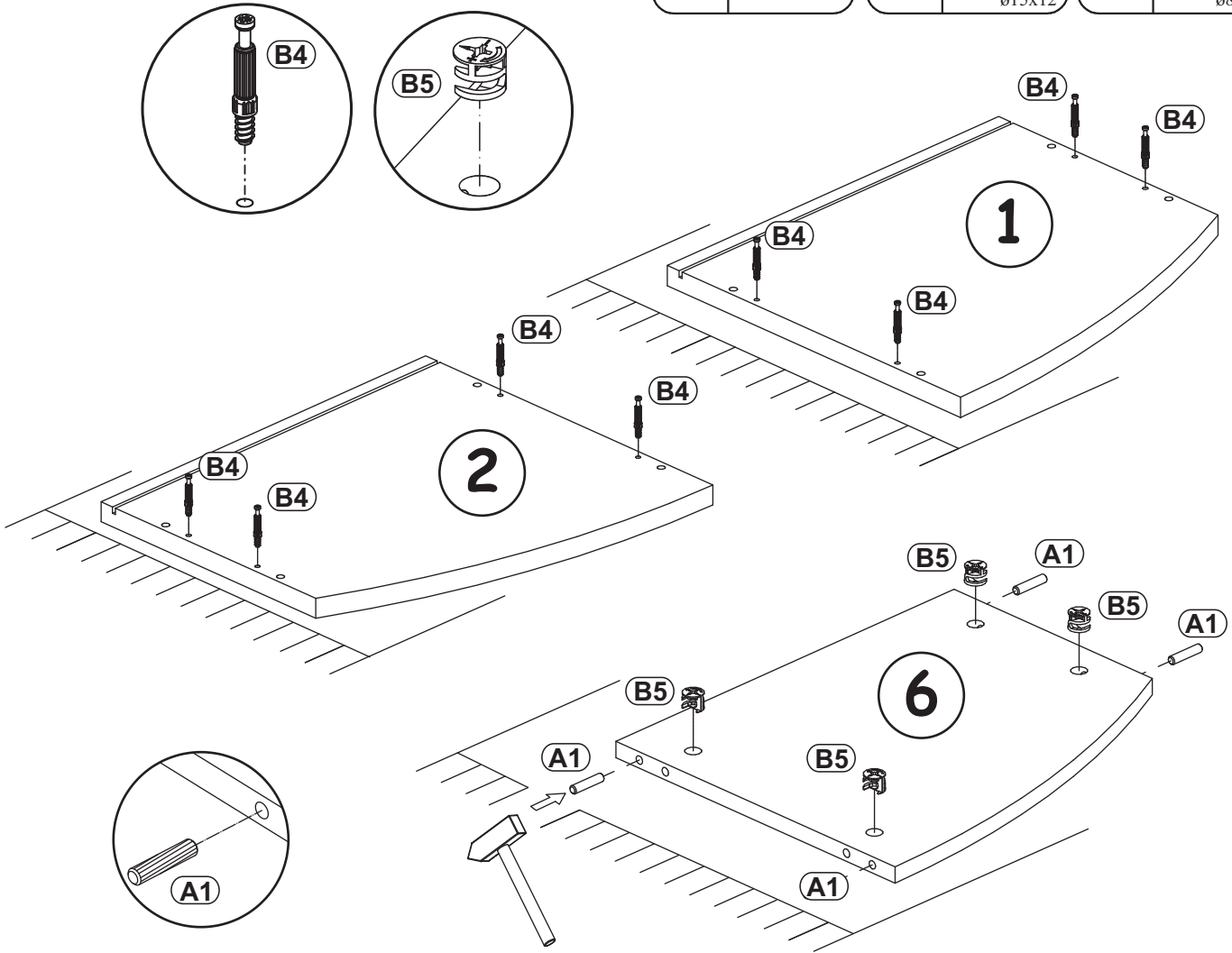
A1 x12 ø8x36	B4 x12	B5 x12 ø15x12	G5 x12	UP13 x3 UPØ3x16	D10 x8 USØ3,5x13
G7 x8	S1 x10	KR3 x2 ø10	E21 x3 Ø35 H=0	E2 x3 H=0	T1 x1
G2 x1	ZXL x1	ZXP x1	Z5 x4 ø10		



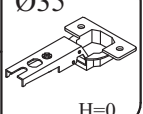

DARK 20_DK TYP-10

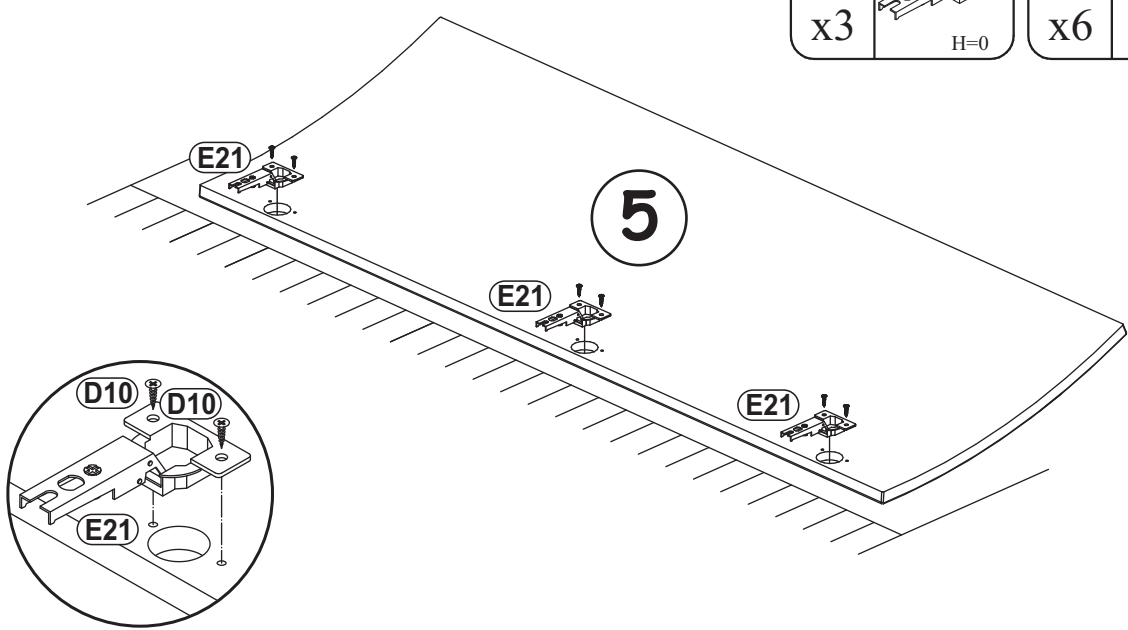
B4		B5		A1	
x8		x4	ø15x12	x4	ø8x36

1

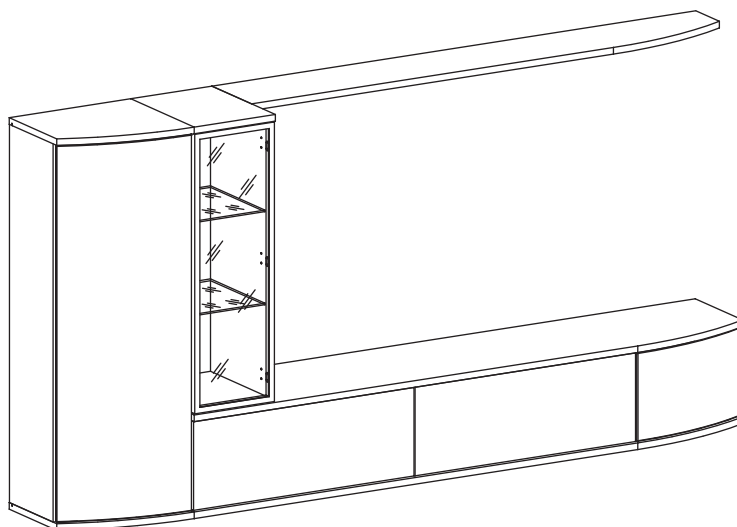


2

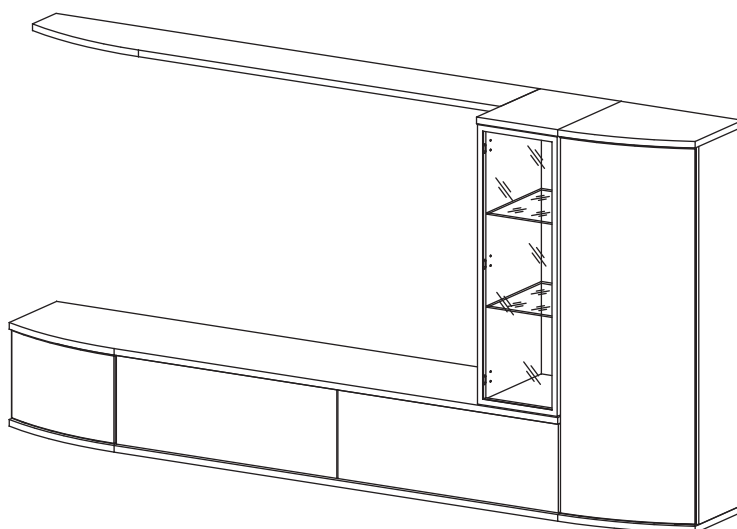
E21		D10	
x3	Ø35 H=0	x6	USØ3,5x13



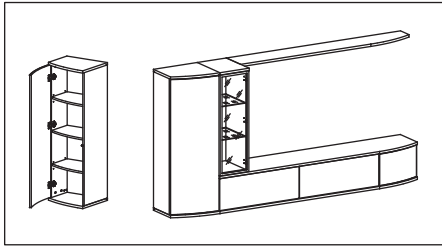
3 - 7



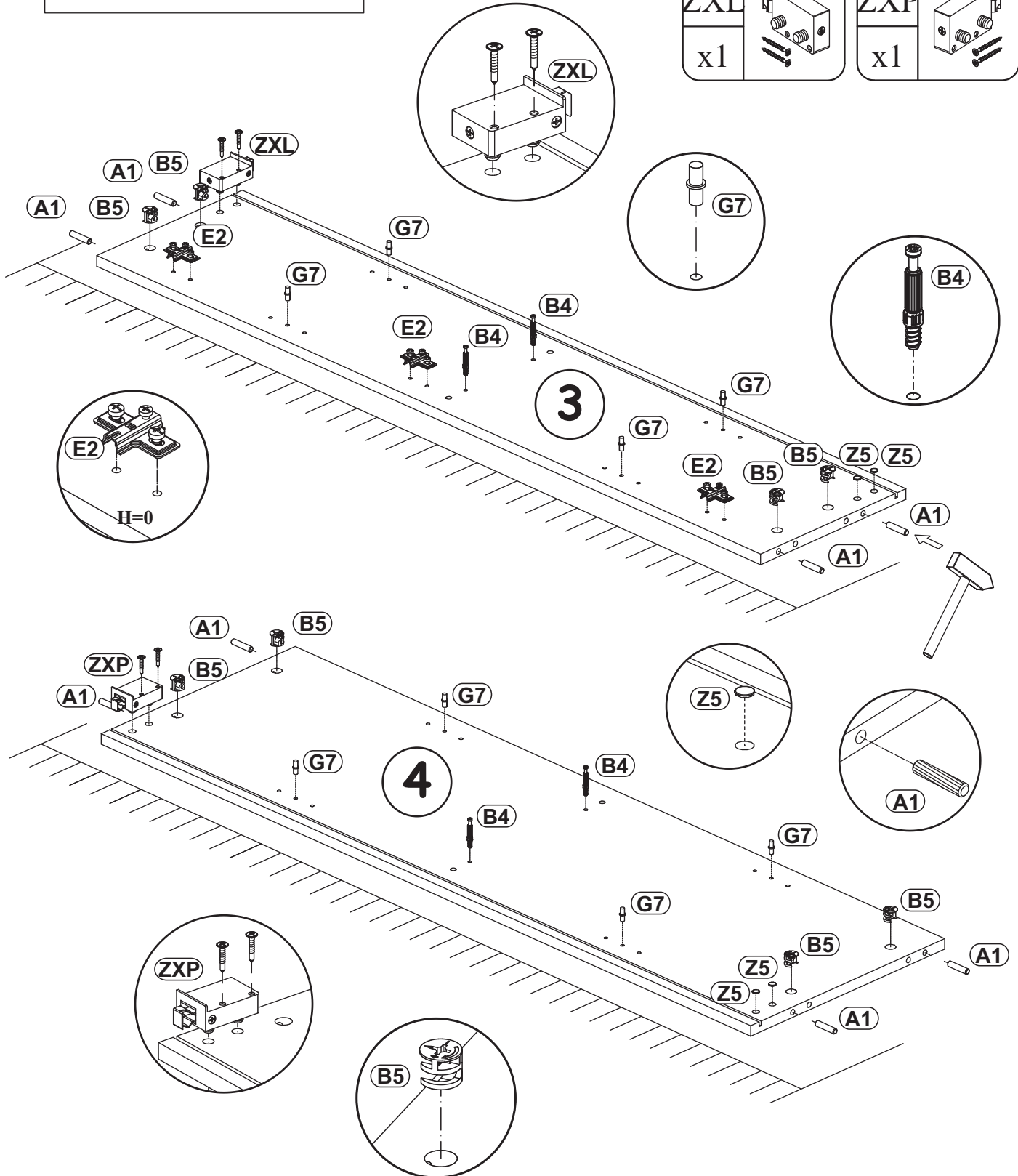
8 - 12



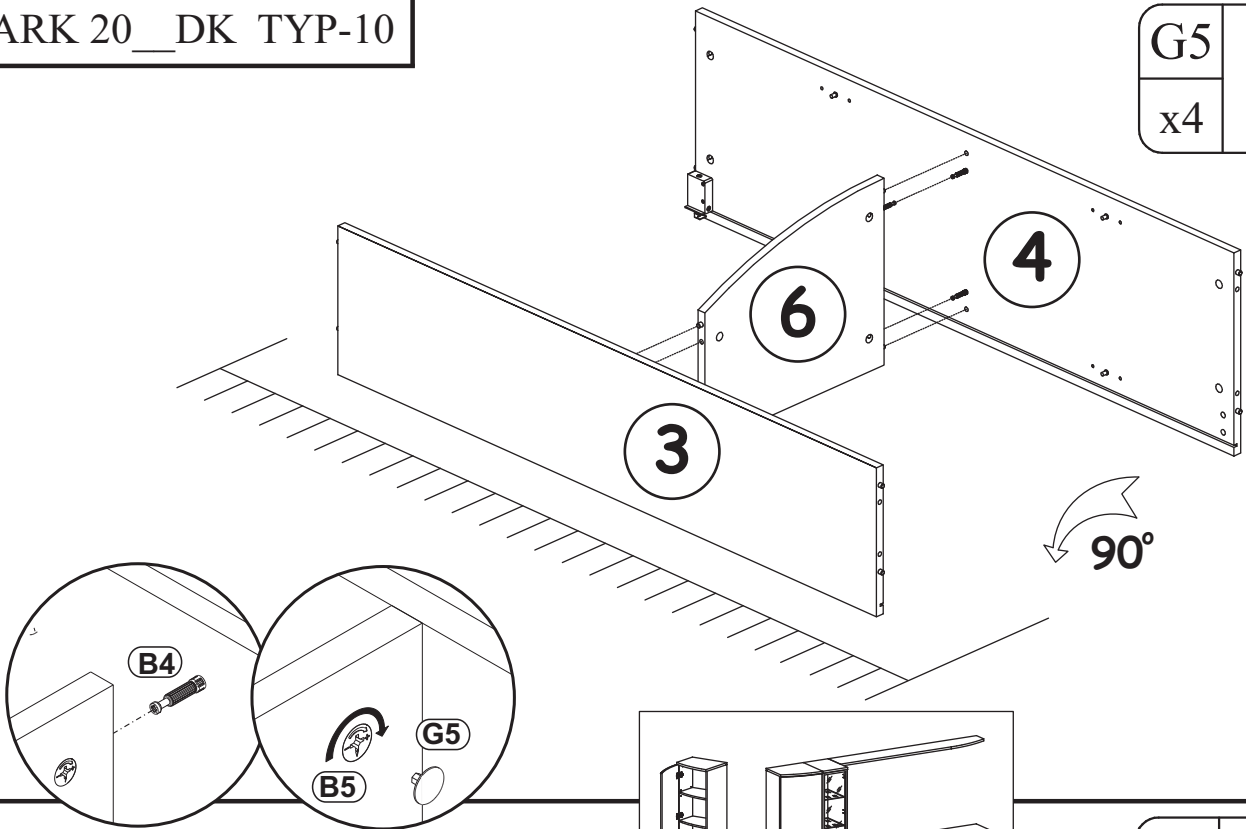
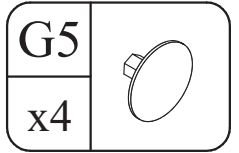
3



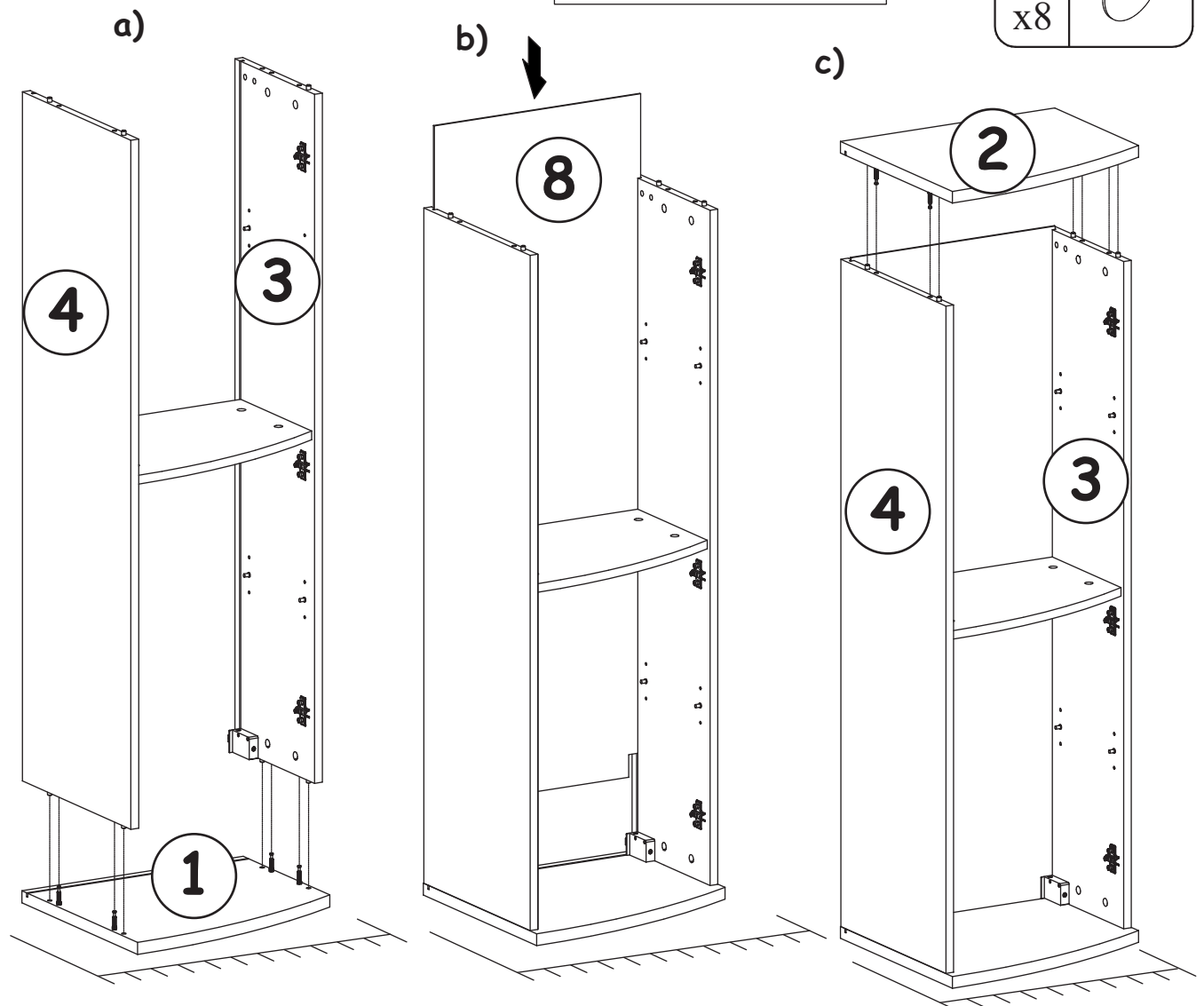
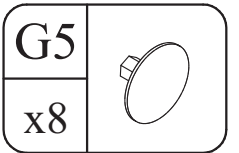
B4 x4		B5 x8	 ø15x12	A1 x8	 ø8x36
Z5 x4	 ø10	E2 x3	 H=0	G7 x8	
ZXL x1		ZXP x1			



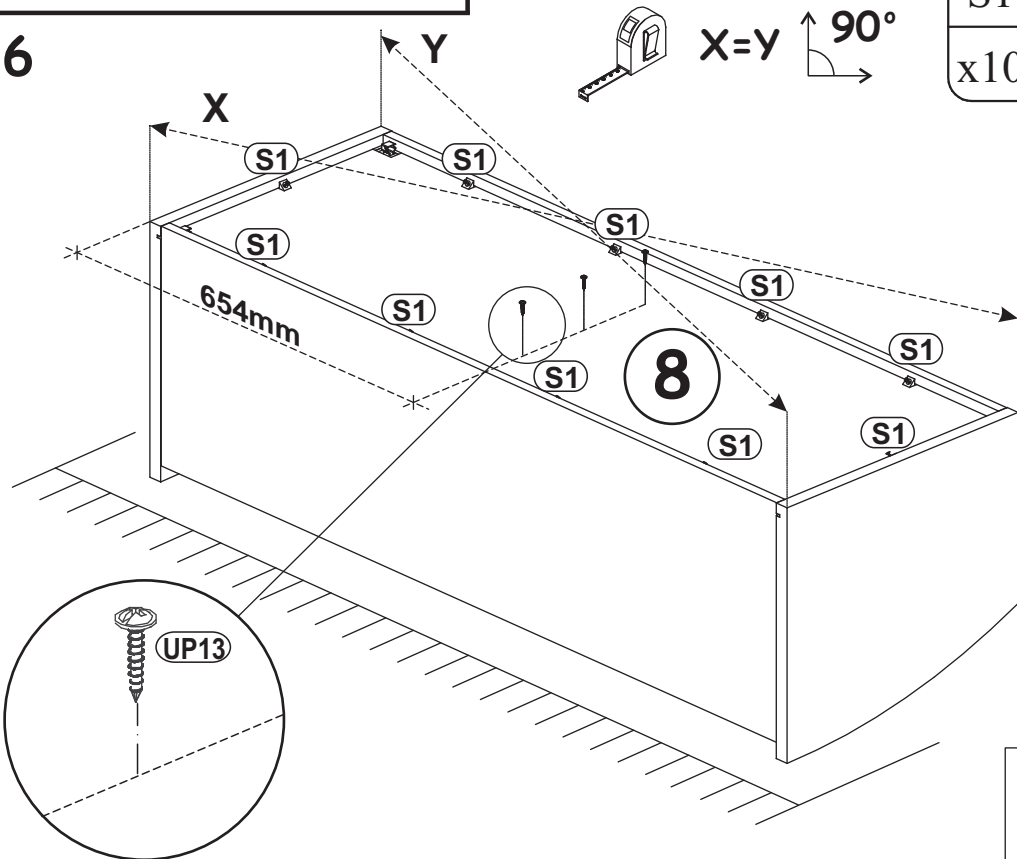
4



5

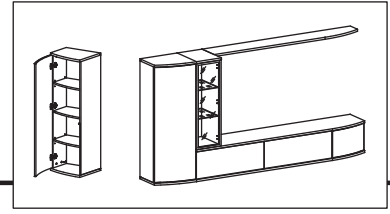
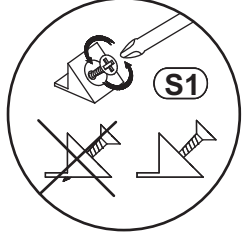
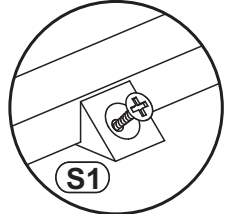


6

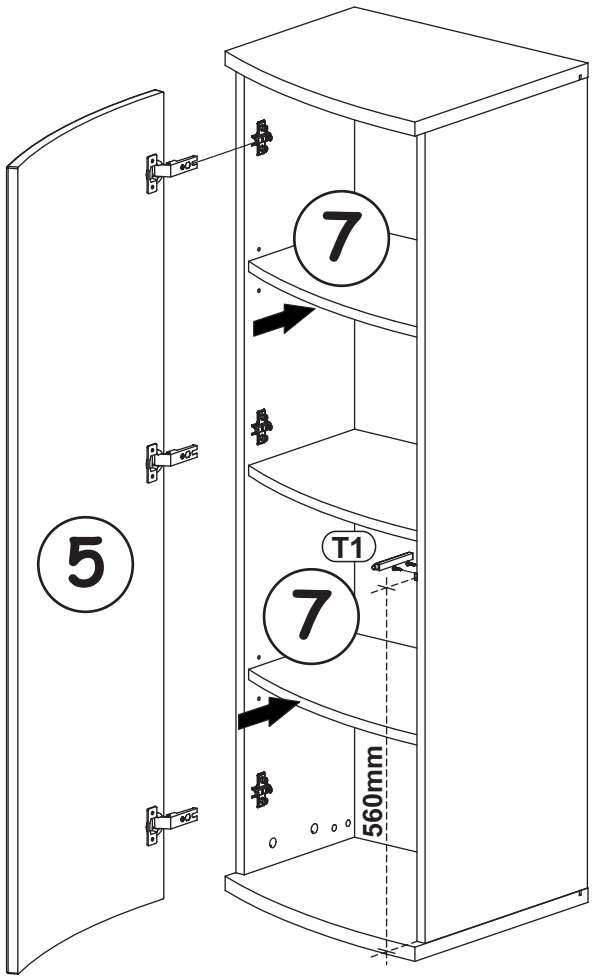


S1	
x10	

UP13	
x3	UP03x16



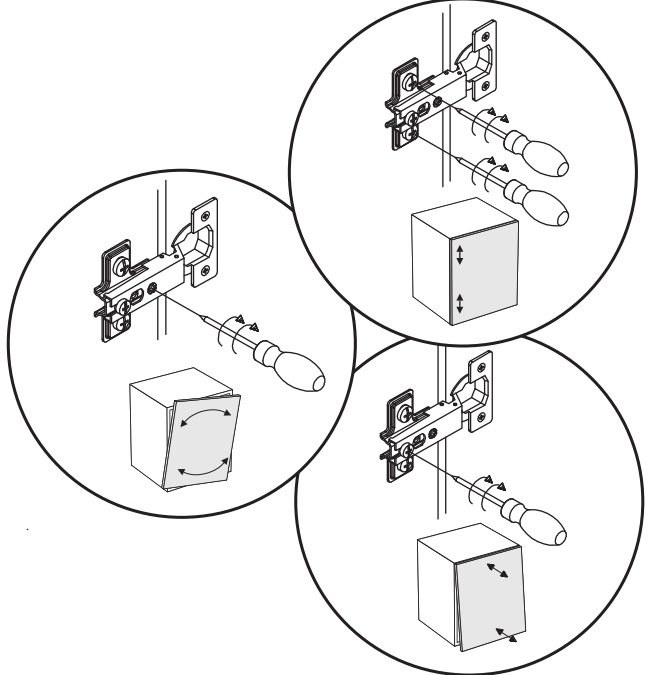
7



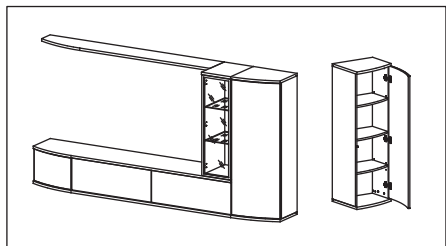
1		CLICK	2
D10	T1		1
D10		2	

T1	
x1	

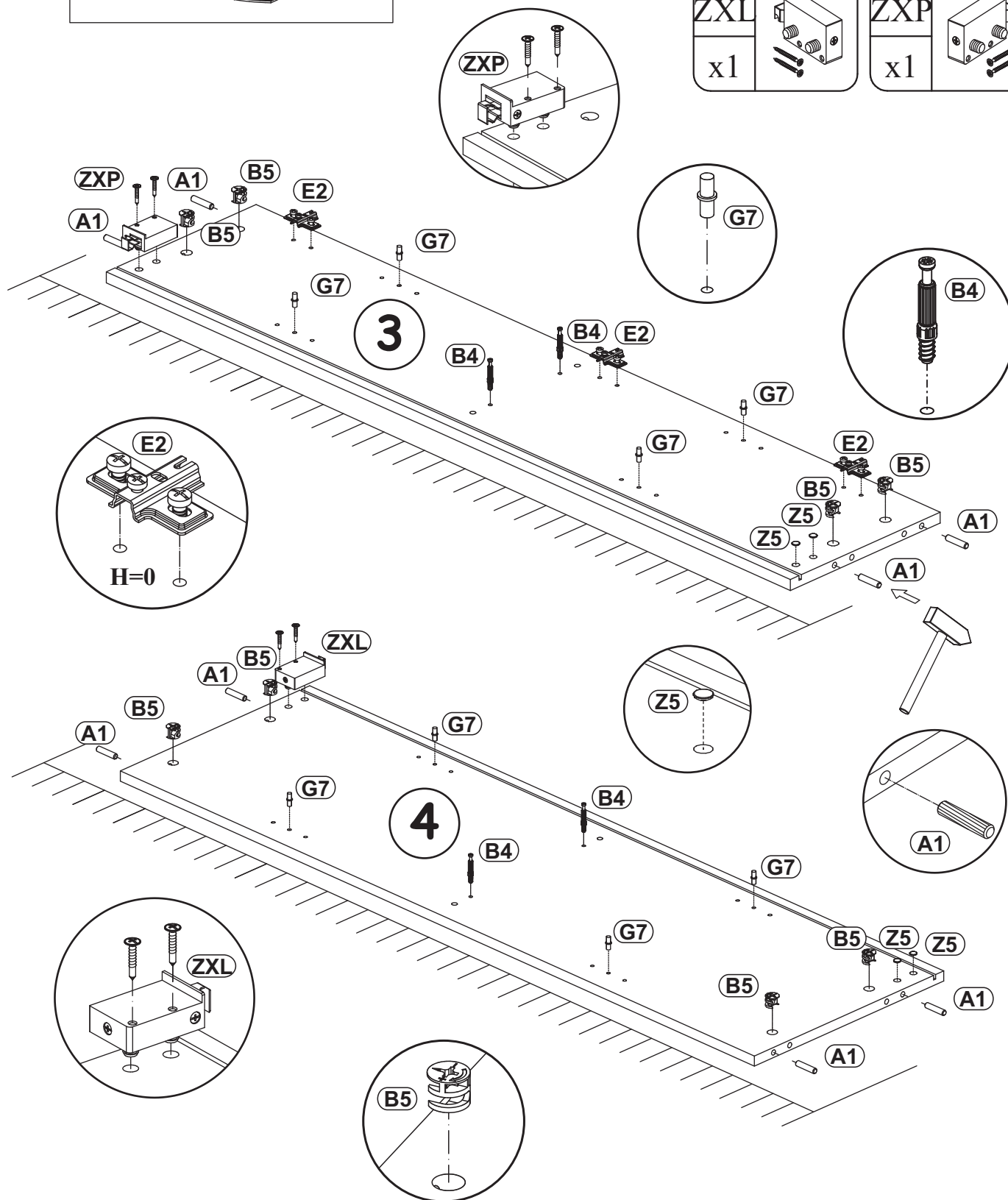
D10	
x2	US03,5x13



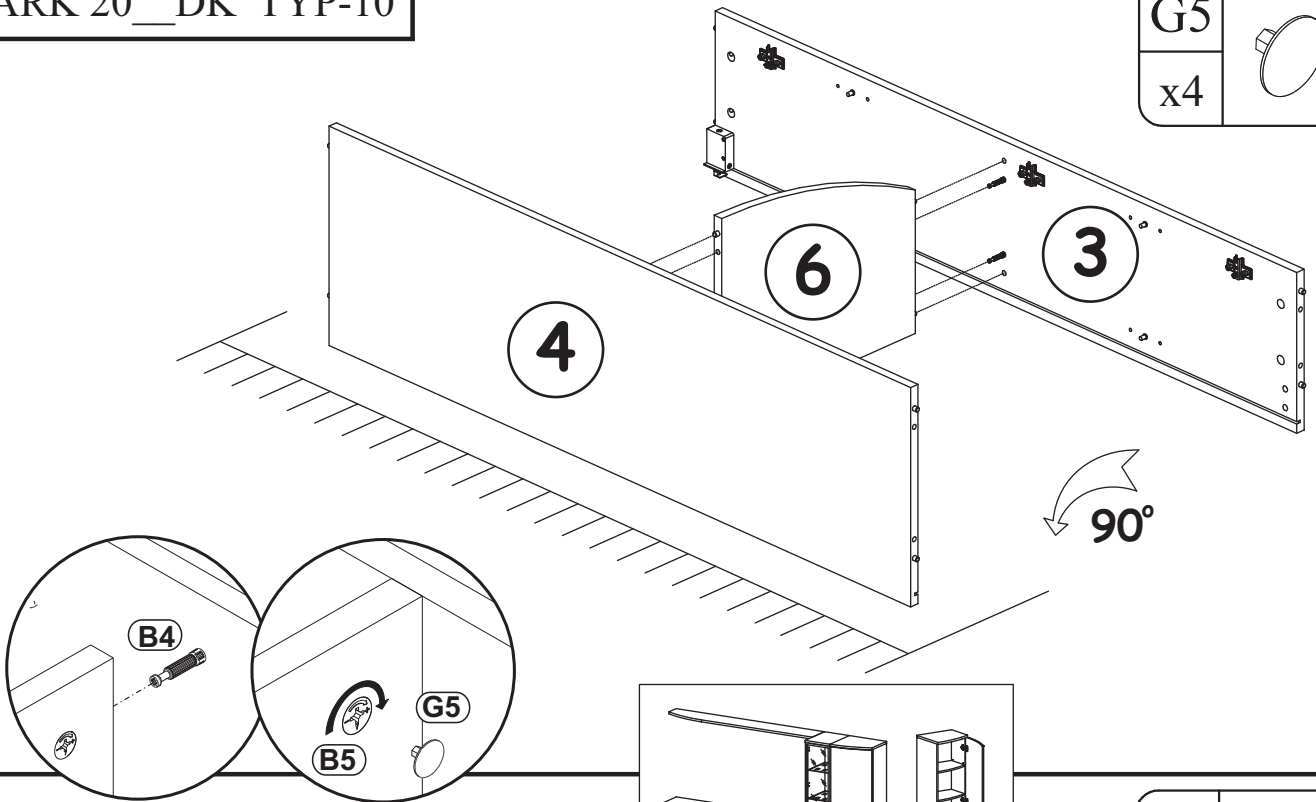
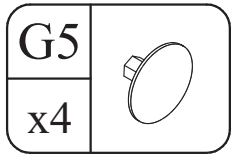
8



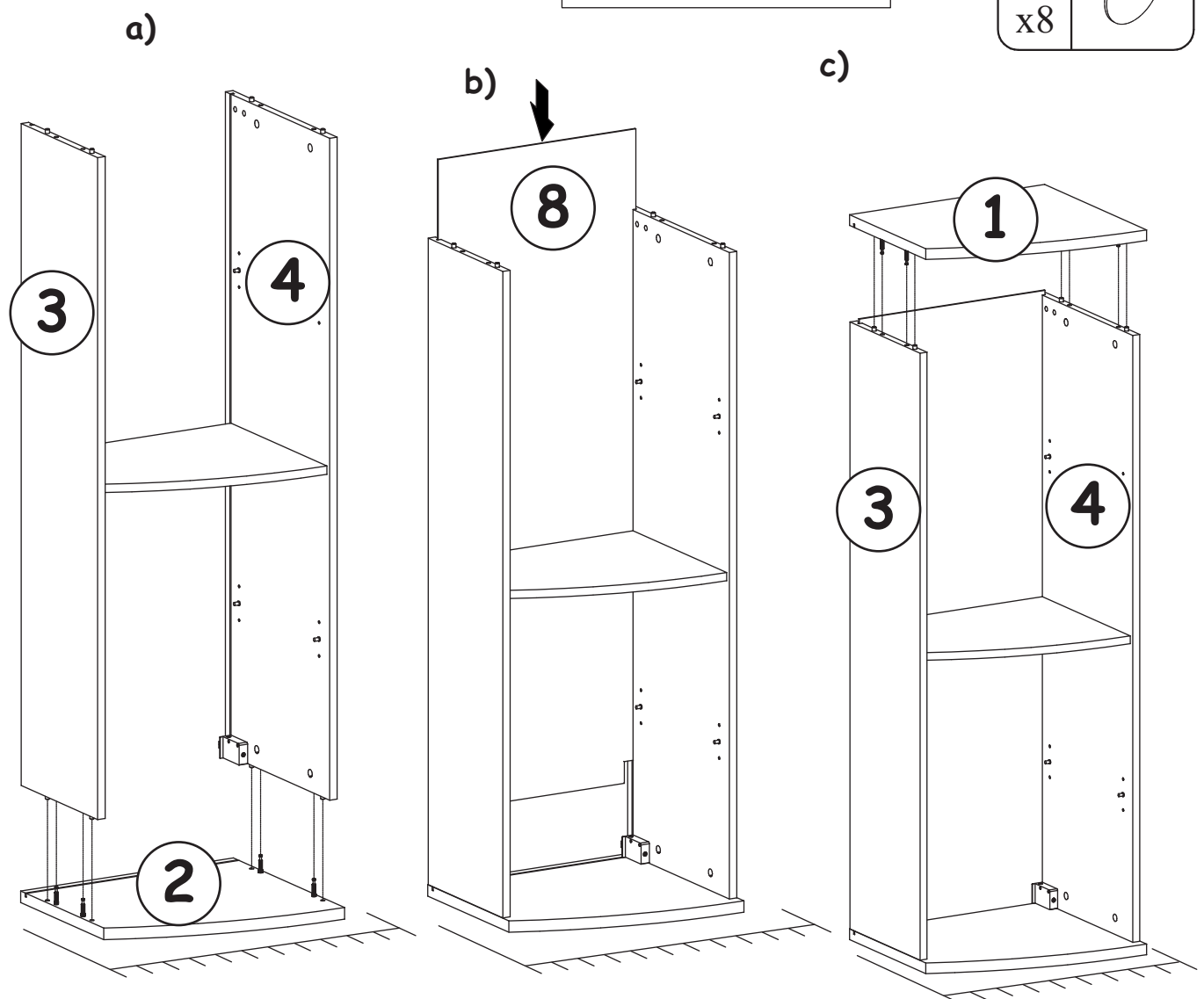
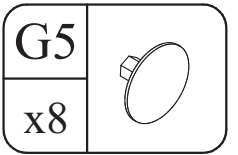
B4 x4		B5 x8	 ø15x12	A1 x8	 ø8x36
Z5 x4	 ø10	E2 x3	 H=0	G7 x8	
ZXL x1		ZXP x1			



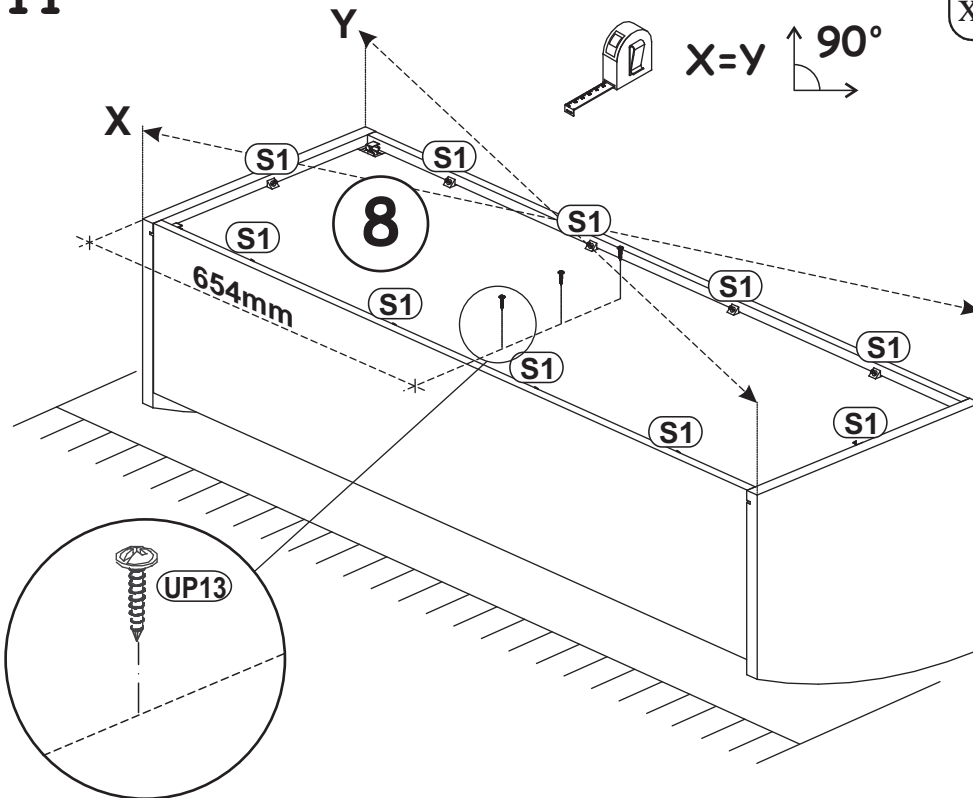
9



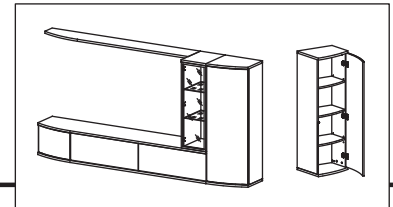
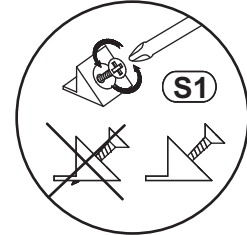
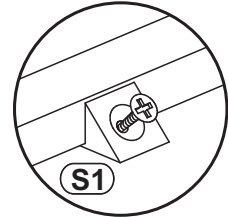
10



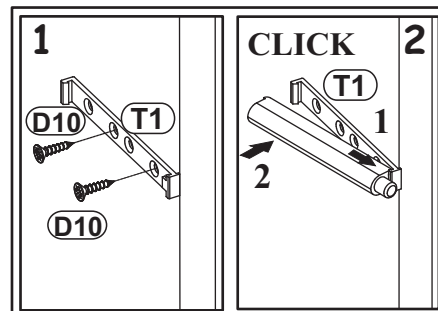
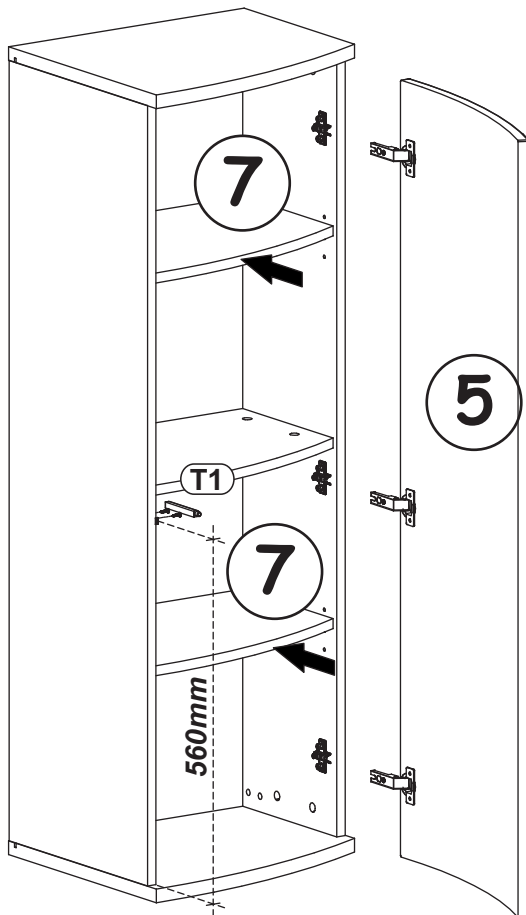
11



S1		UP13	
x10		x3	UPØ3x16

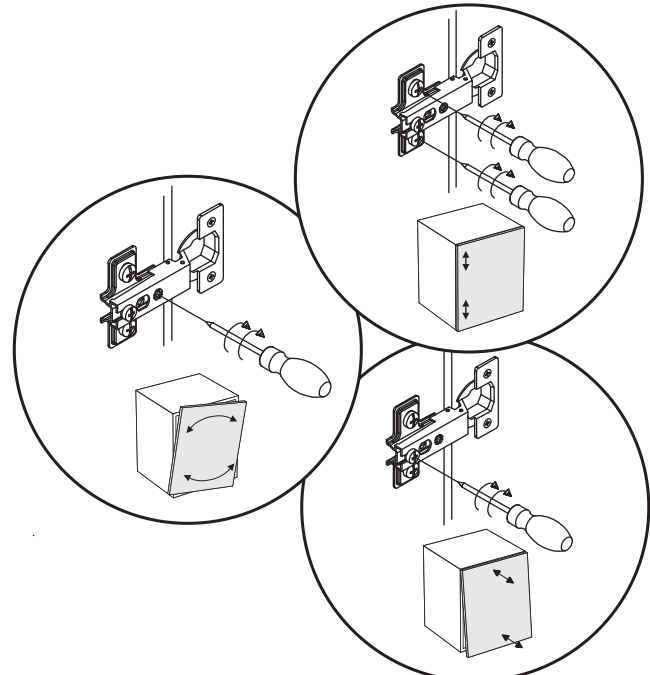


12

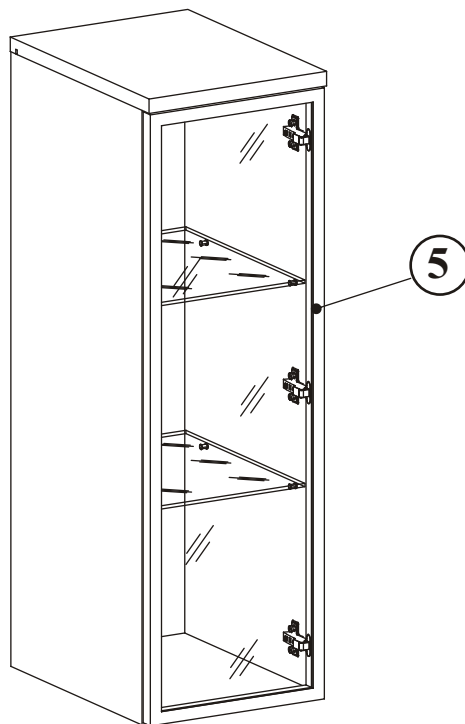
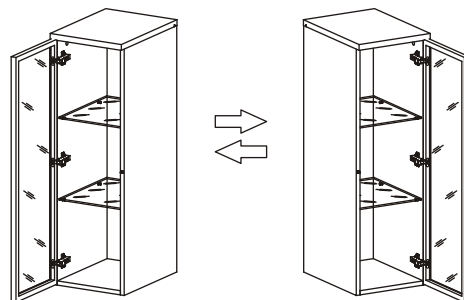
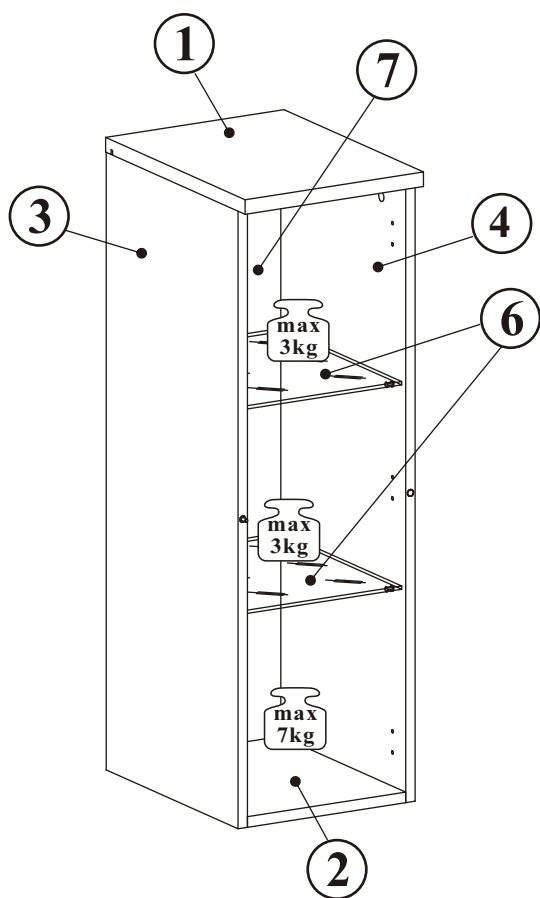
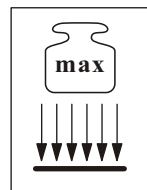
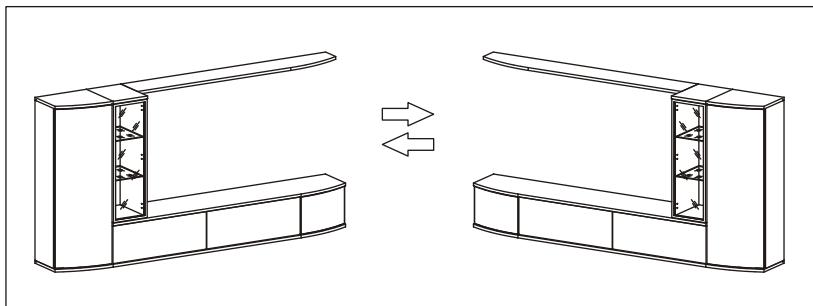


T1	
x1	

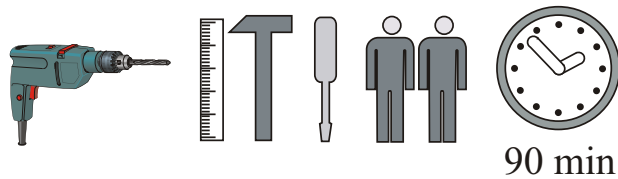
D10	
x2	USØ3,5x13



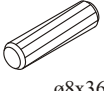
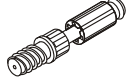
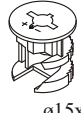

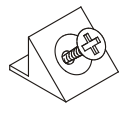
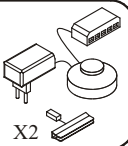
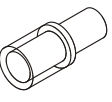
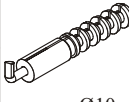
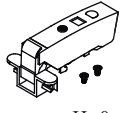
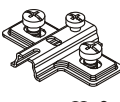
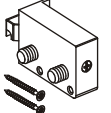
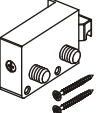

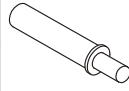


DARK 20_DK TYP-11

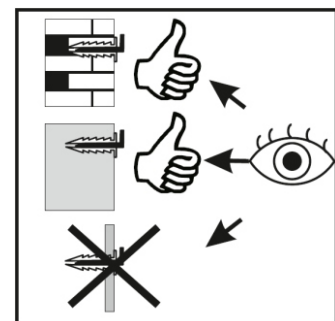
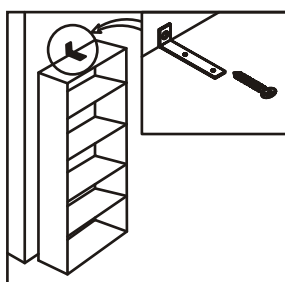
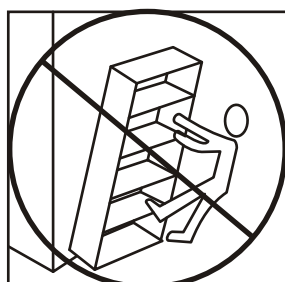
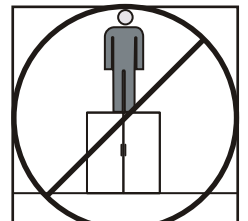
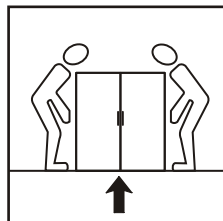
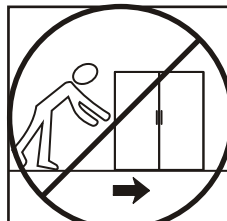
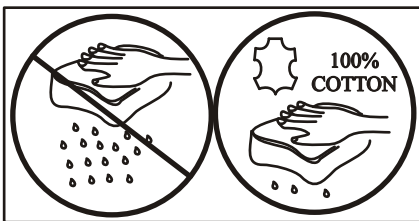
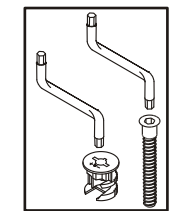
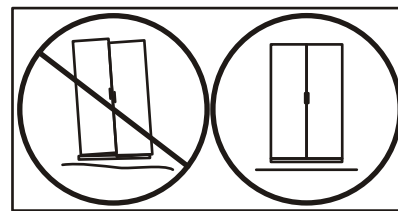
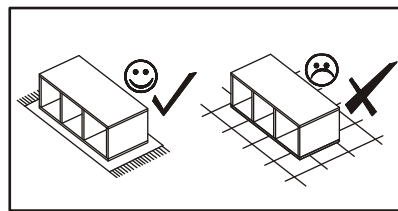
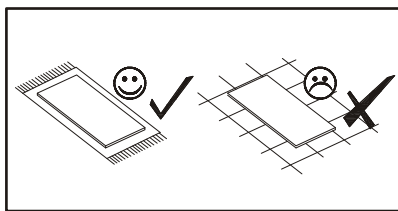
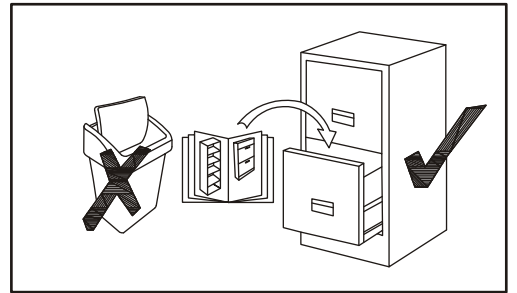
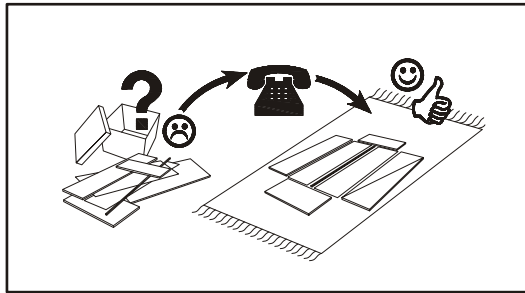
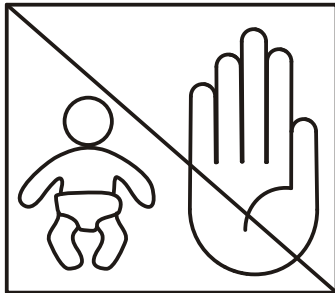
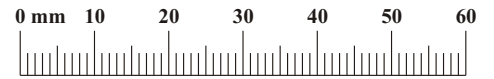


NO	Dim.			Col-No	Qty
1	302	400	22	4	1
2	268	378	16	4	1
3	934	378	16	4	1
4	934	378	16	4	1
5	928	296	21	4	1
6	267	343	5	4	2
7	930	280	3	4	1

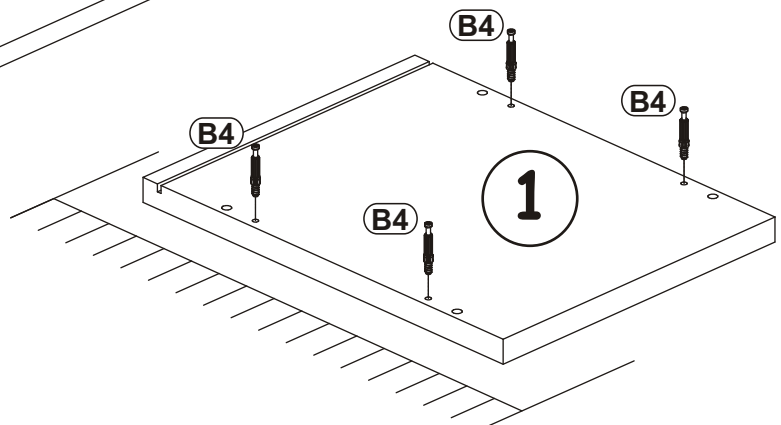
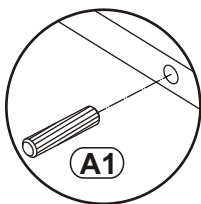
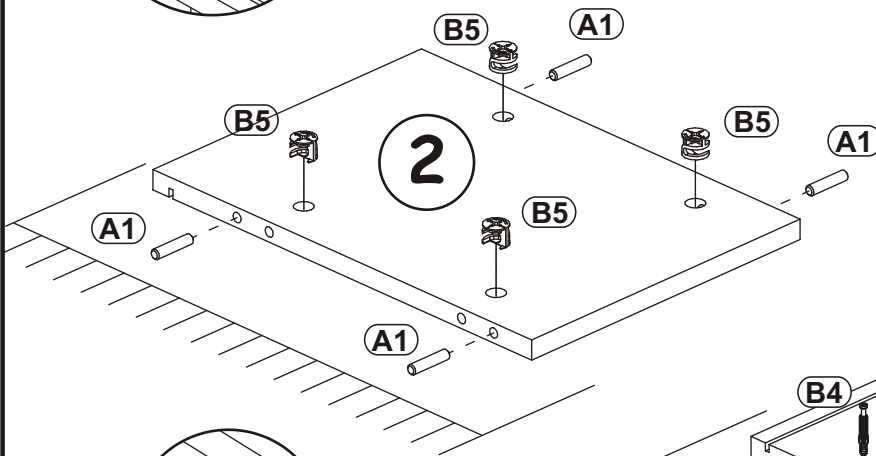
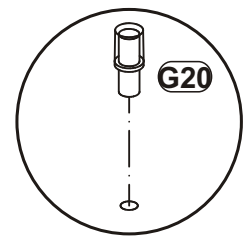
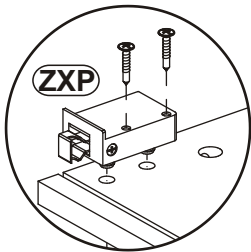
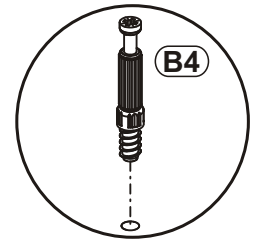
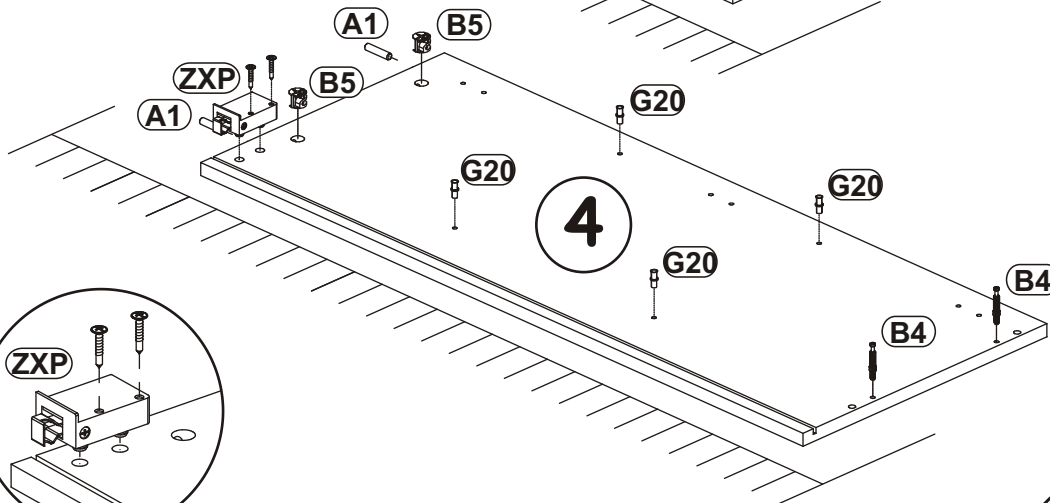
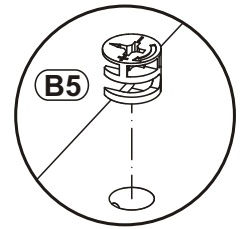
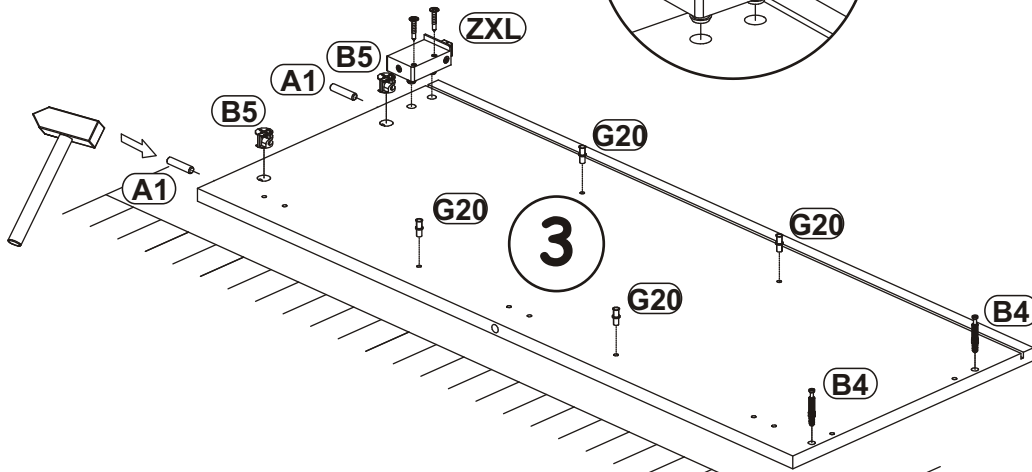
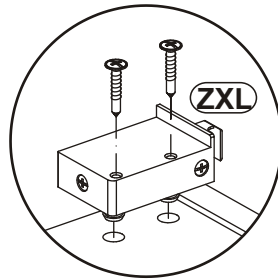
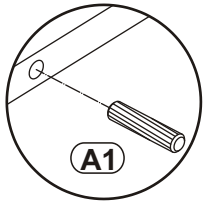
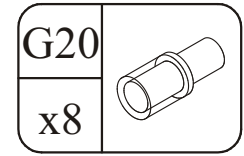
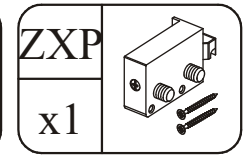
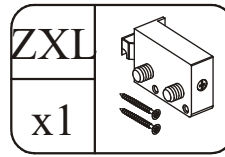
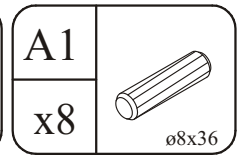
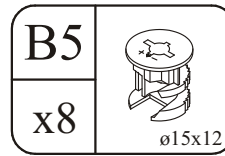
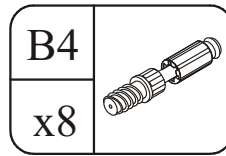


DARK 20_DK TYP-11

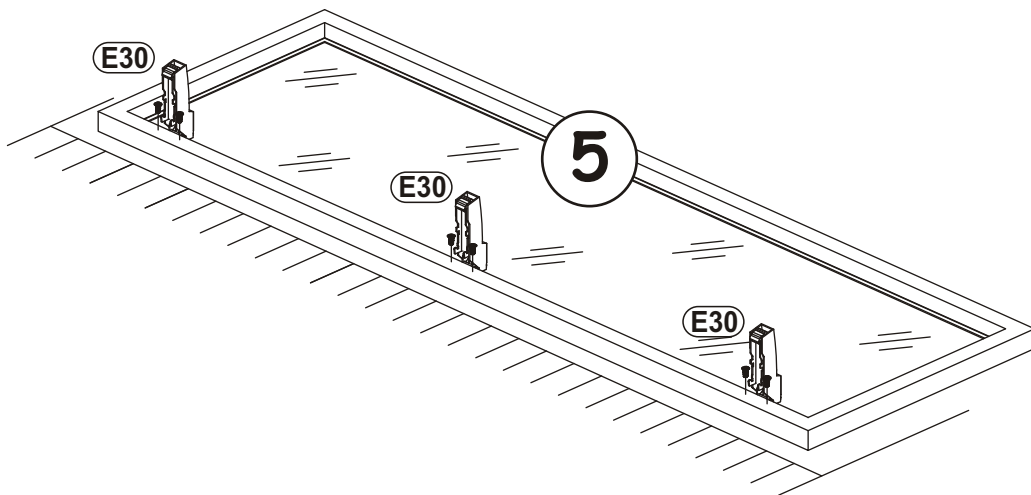
A1 x8  ø8x36	B4 x8 	B5 x8  ø15x12	G5 x8 	S1 x8 	LED x1  x2
G20 x8 	KR3 x2  ø10	E30 x3  H=0	E4 x3  H=2	ZXL x1 	ZXP x1 
G2 x1 	OG x1 	Z2 x6  ø5	Z5 x1  ø10		

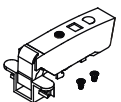


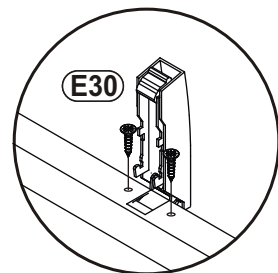
1



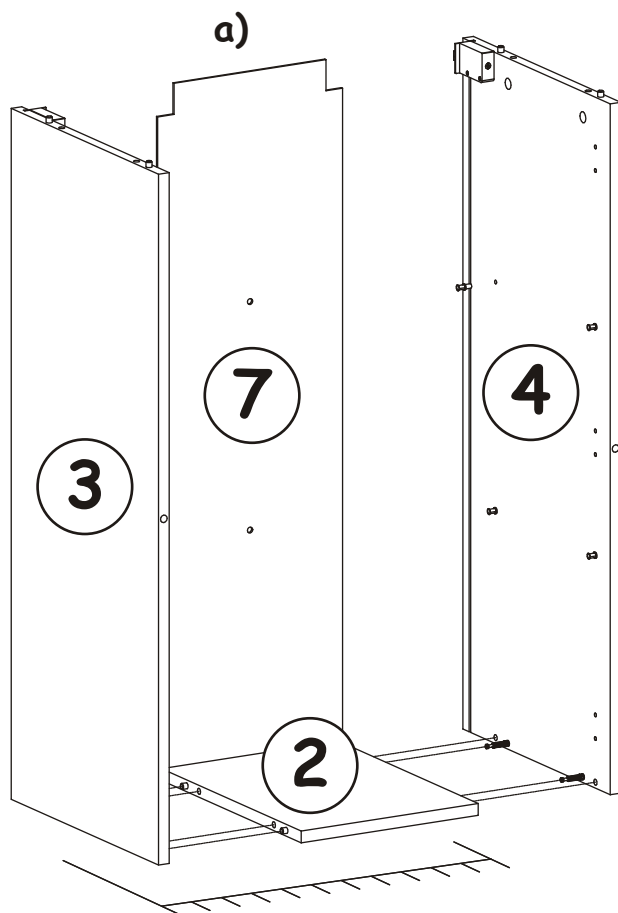
2




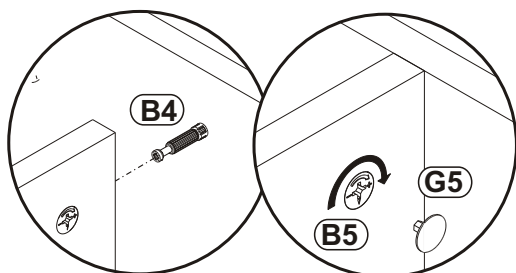
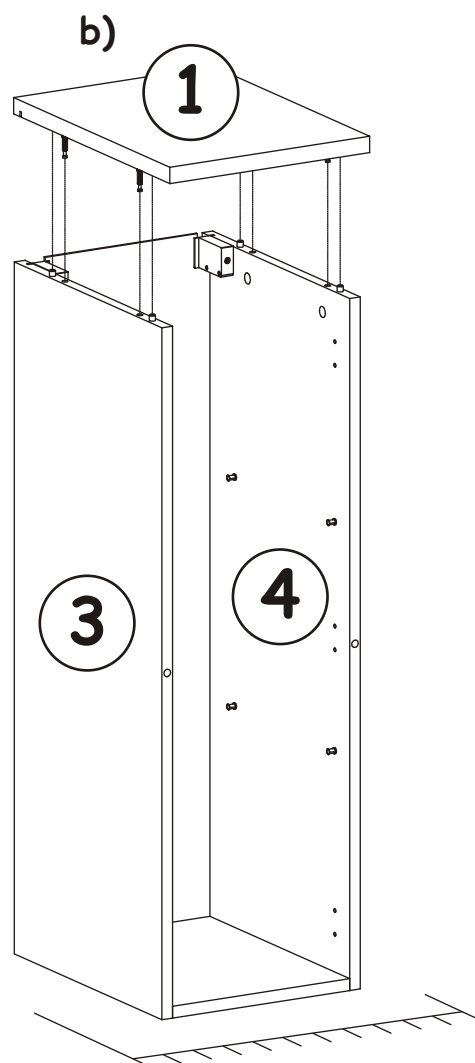
E30	
x3	H=0



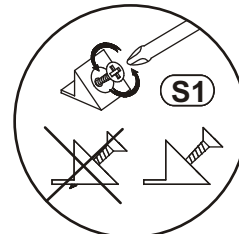
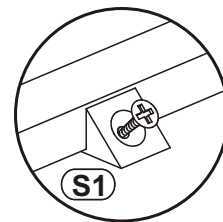
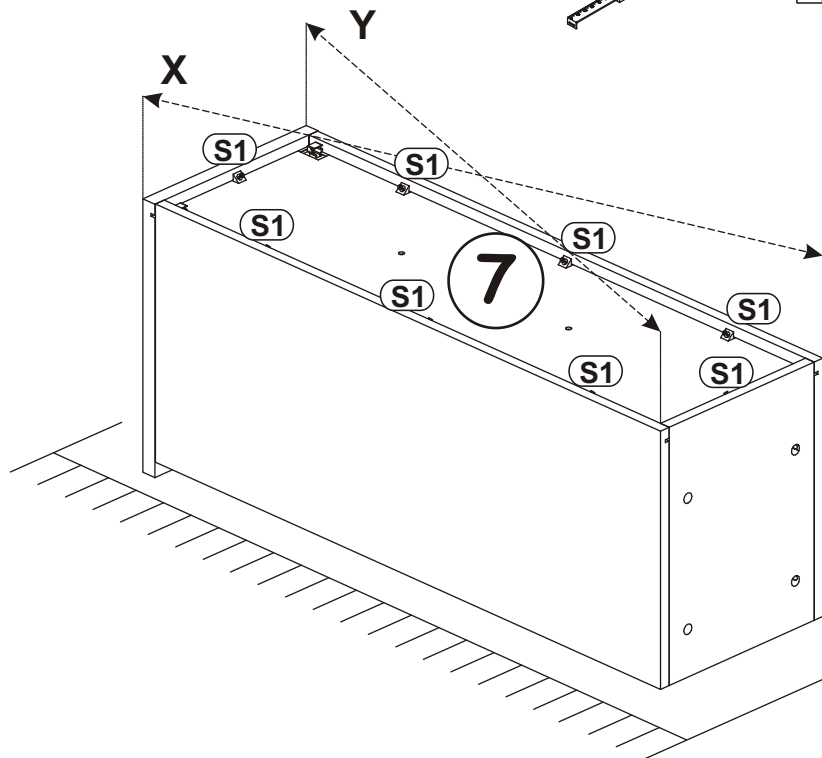
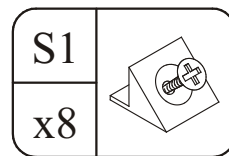
3



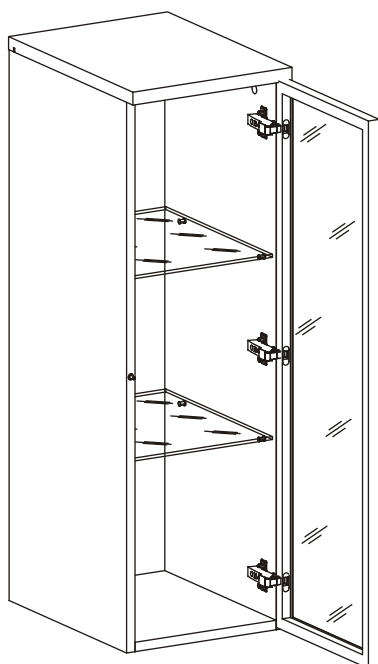
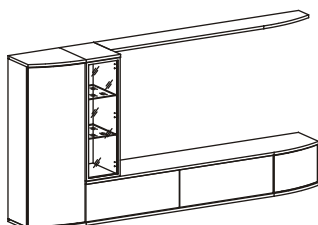
G5	
x8	



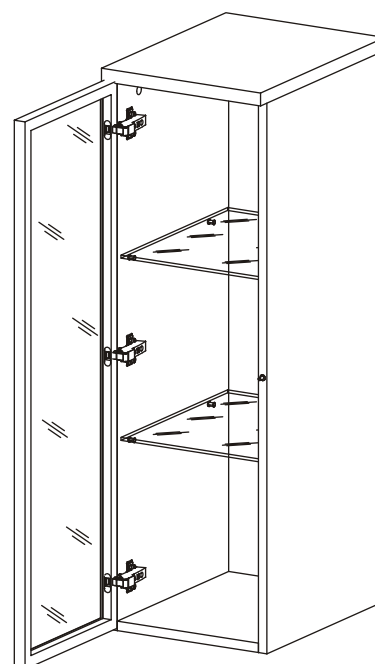
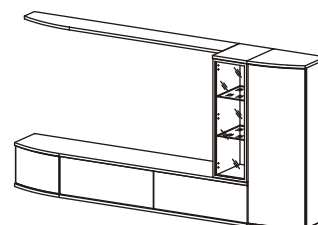
4



5 - 7

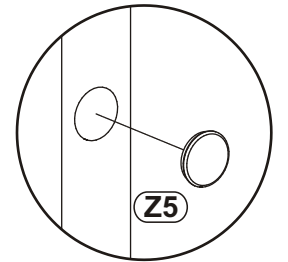
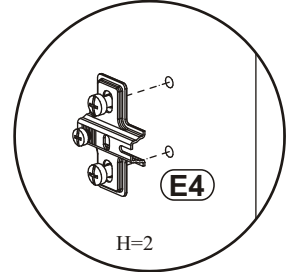
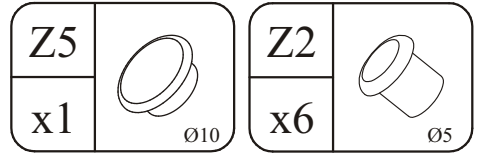
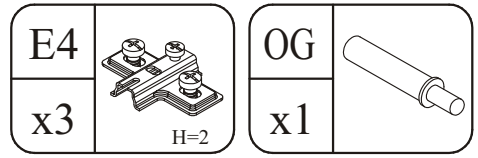
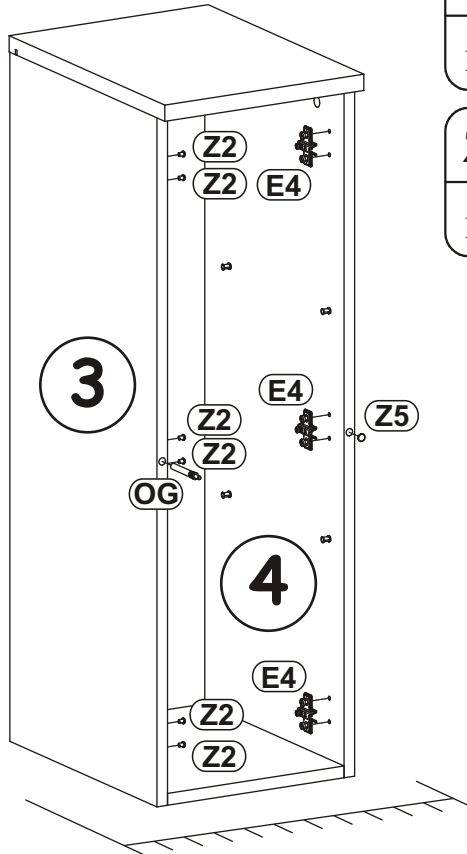
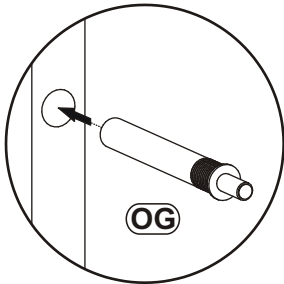
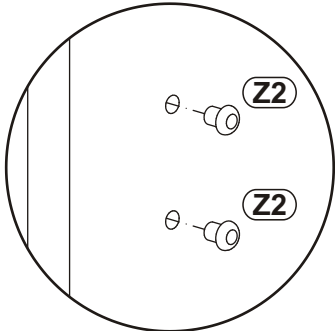
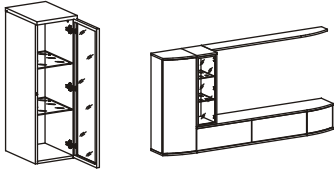


8 - 10

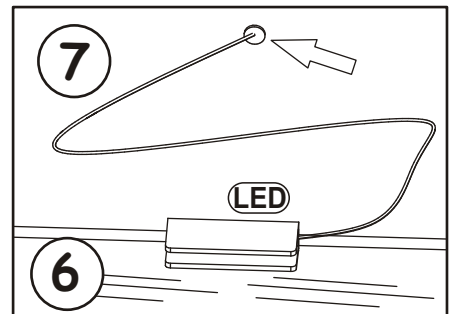
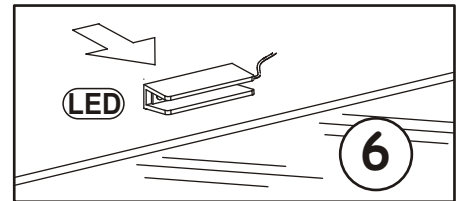
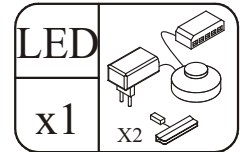
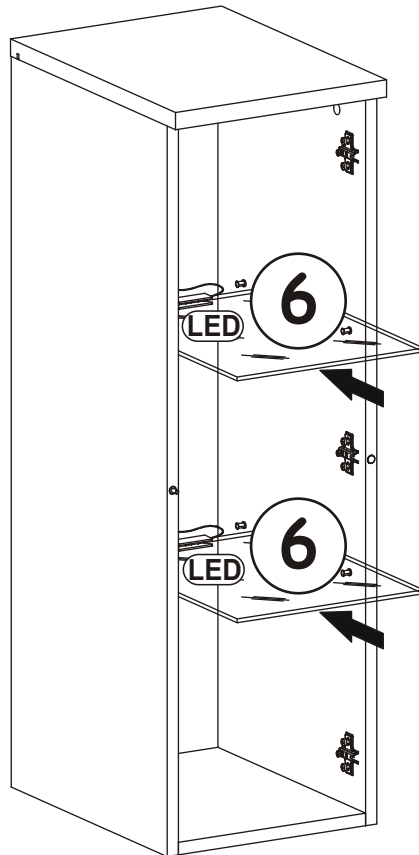
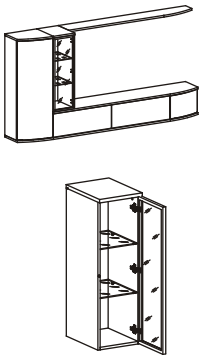


DARK 20_DK TYP-11

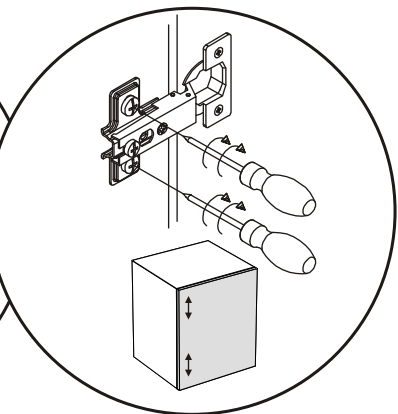
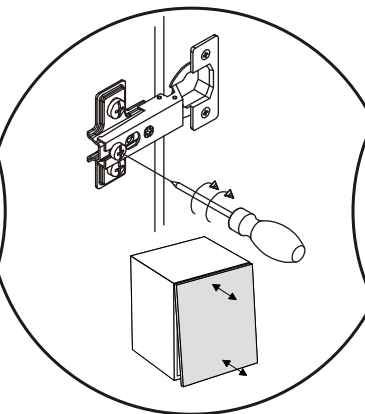
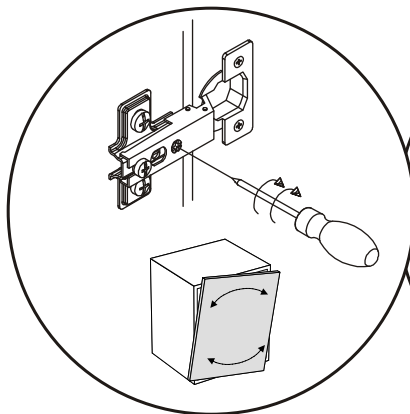
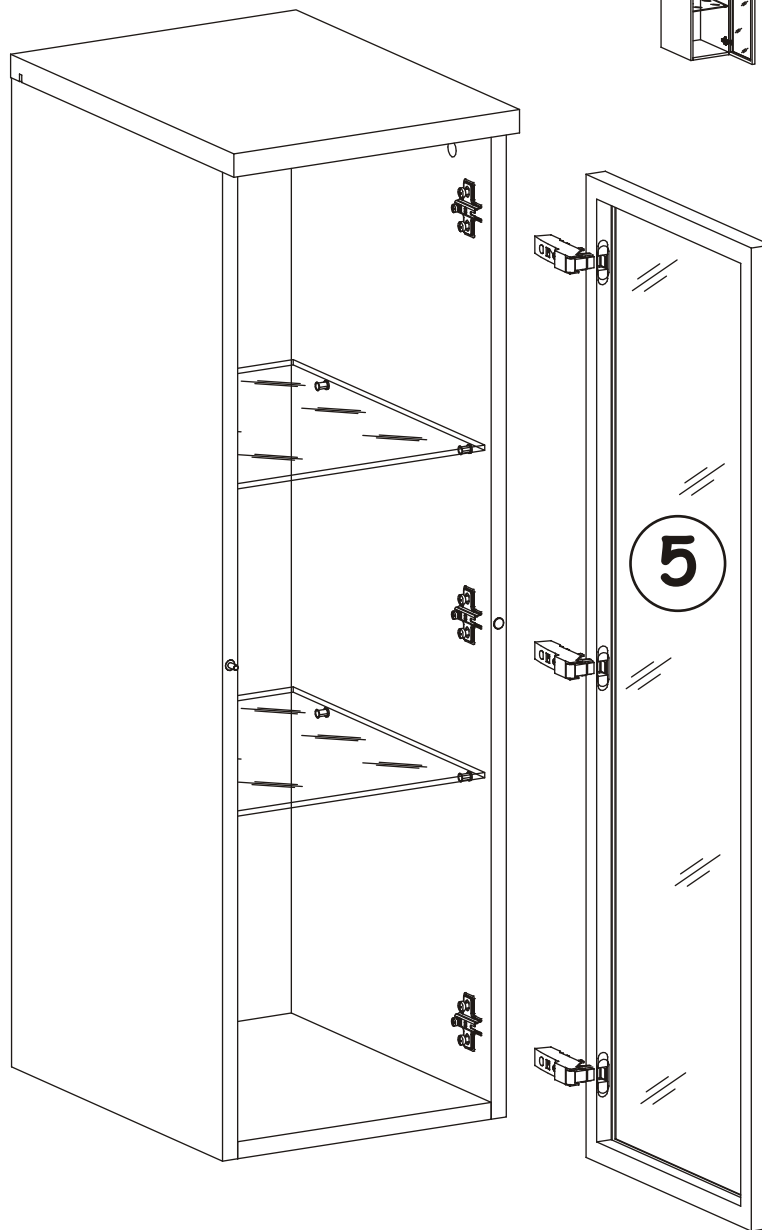
5



6

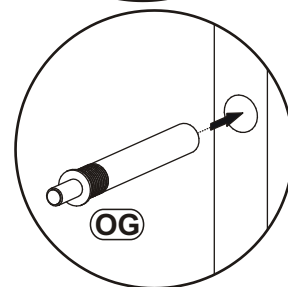
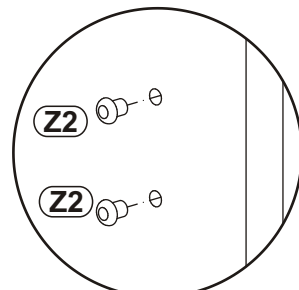
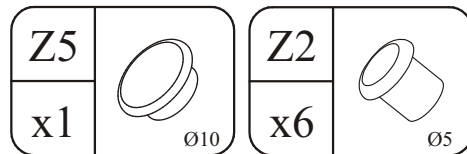
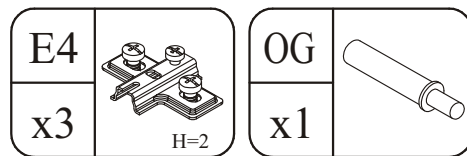
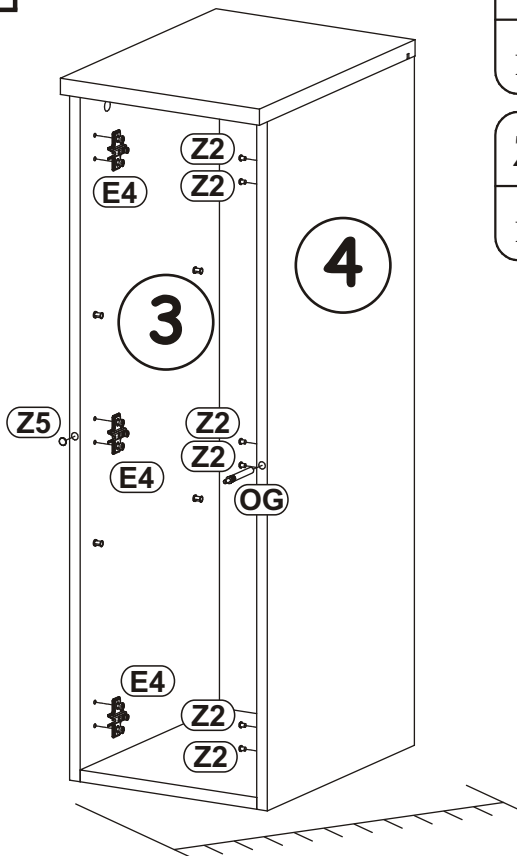
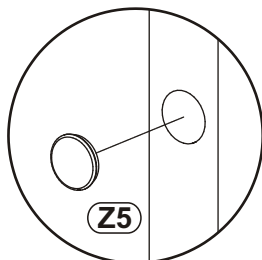
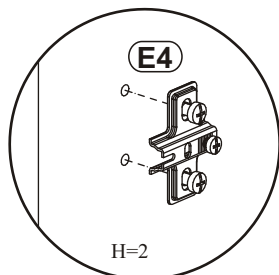
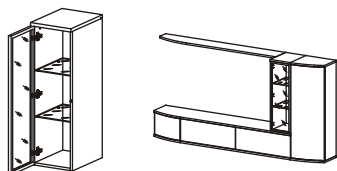


7

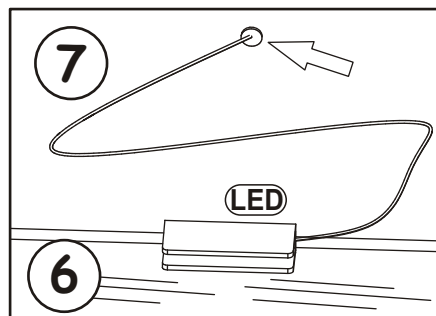
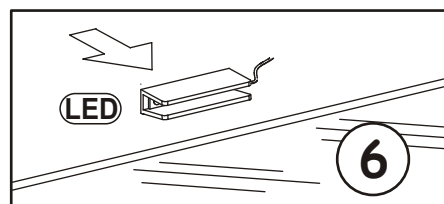
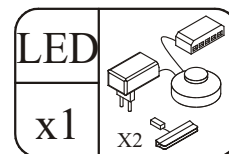
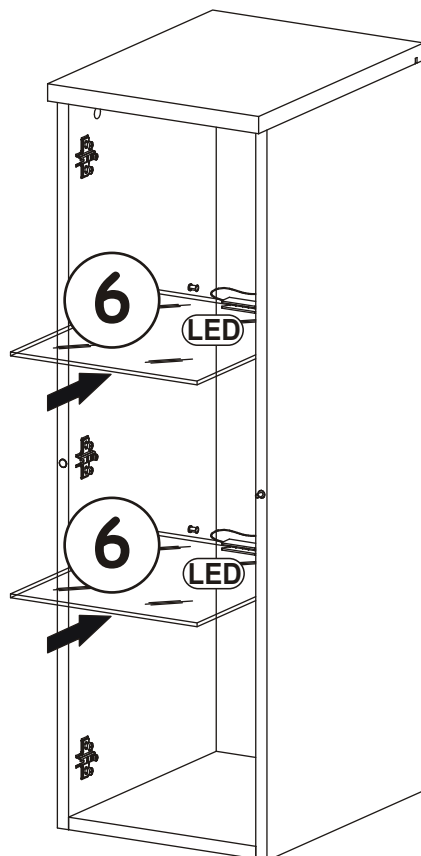
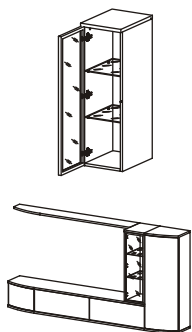


DARK 20_DK TYP-11

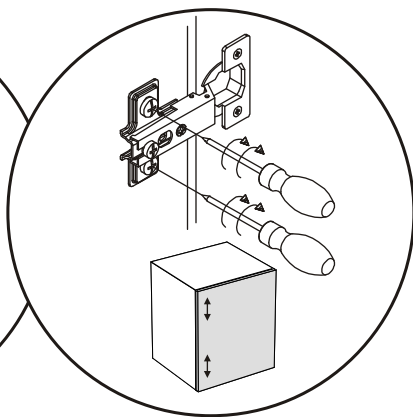
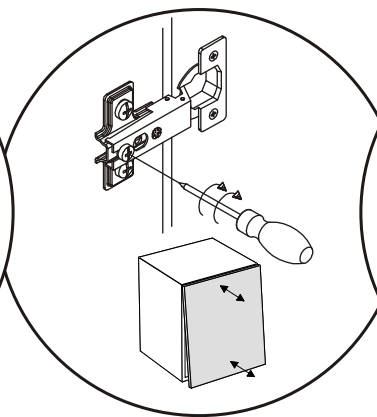
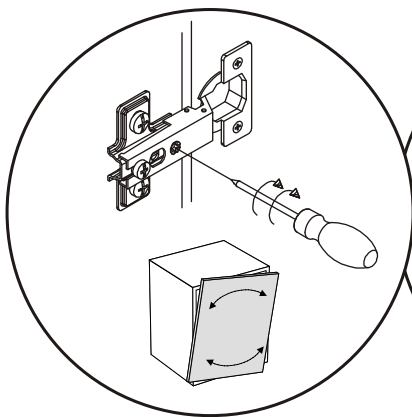
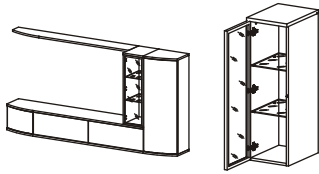
8



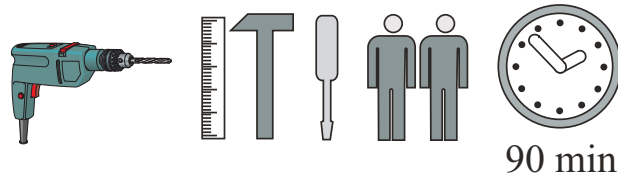
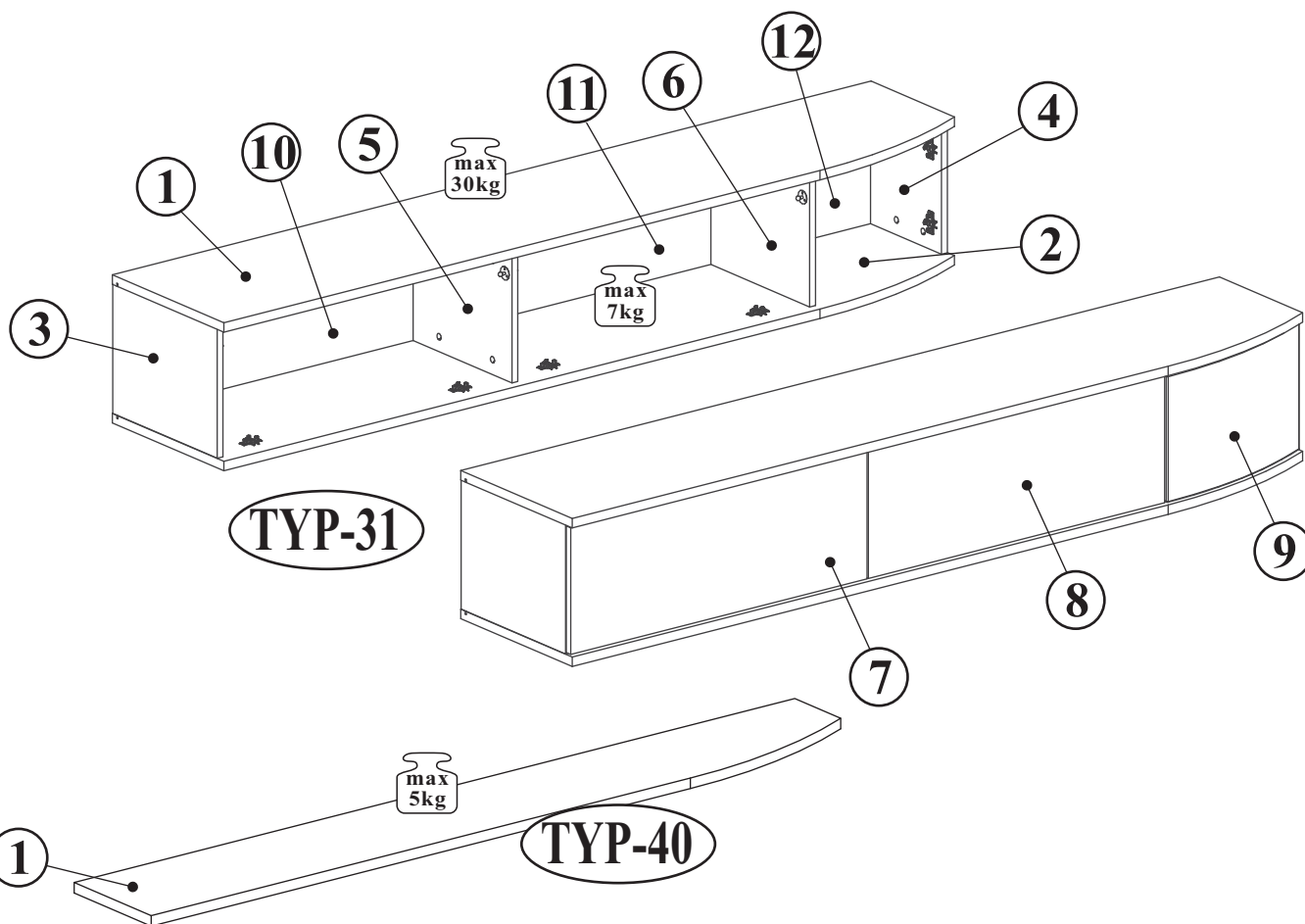
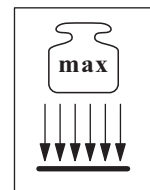
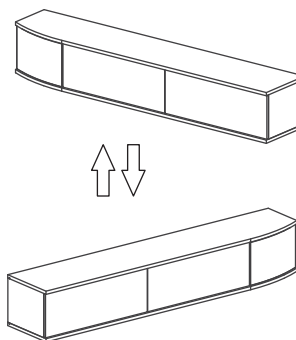
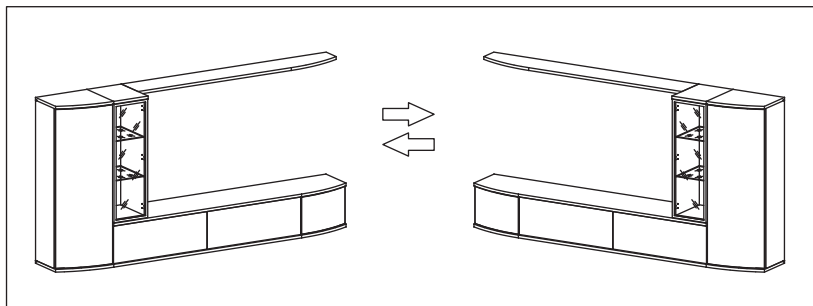
9



10



DARK 20_DK TYP-31 ; TYP-40



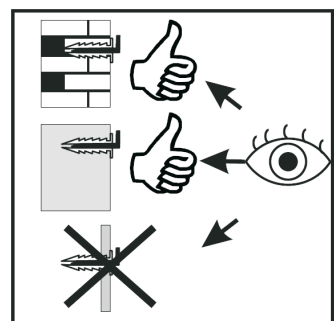
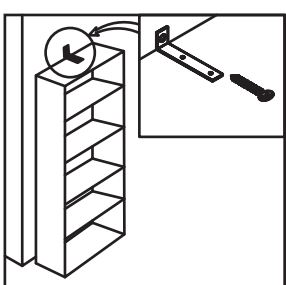
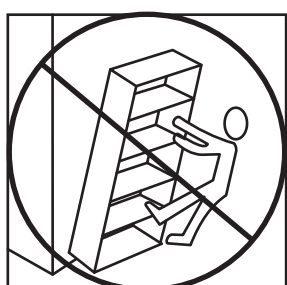
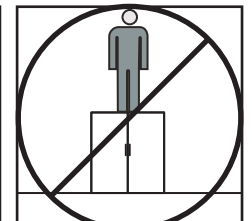
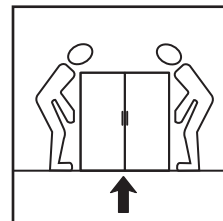
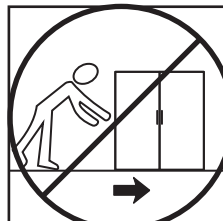
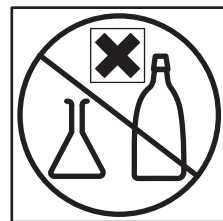
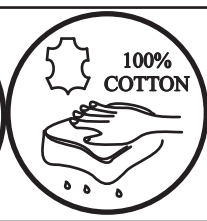
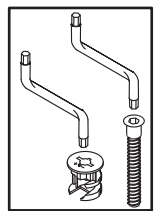
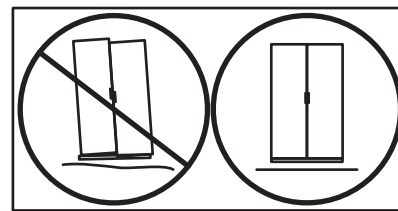
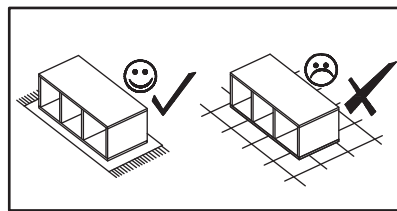
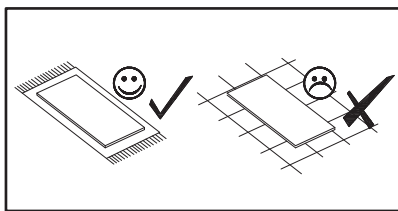
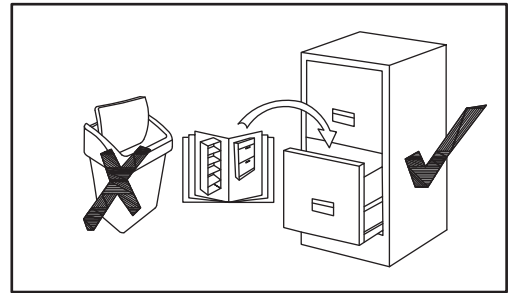
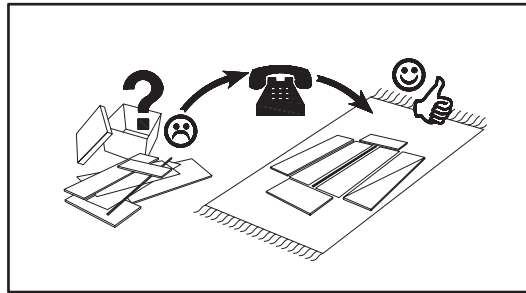
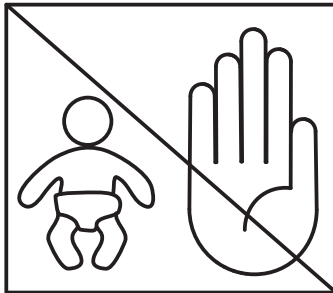
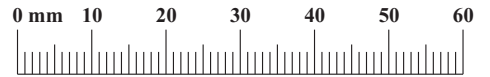
90 min

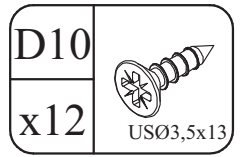
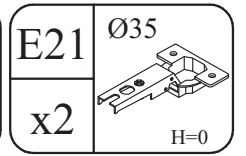
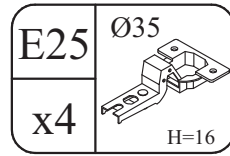
NO	Dim.			Col-No	Qty
3	300	375	16	1	1
4	300	275	16	1	1
5	300	355	16	1	1
6	300	355	16	1	1
7	820	294	16	1	1
8	820	294	16	1	1
9	456	294	19	1	1

NO	Dim.			Col-No	Qty
1	2100	400	22	2	1
2	2100	400	22	2	1
10	814	312	3	2	1
11	824	312	3	2	1
12	440	312	3	2	1
1	1800	250	22	2	1

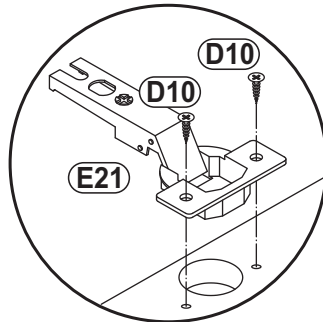
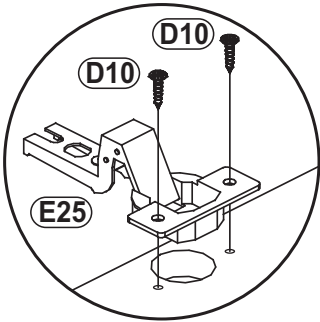
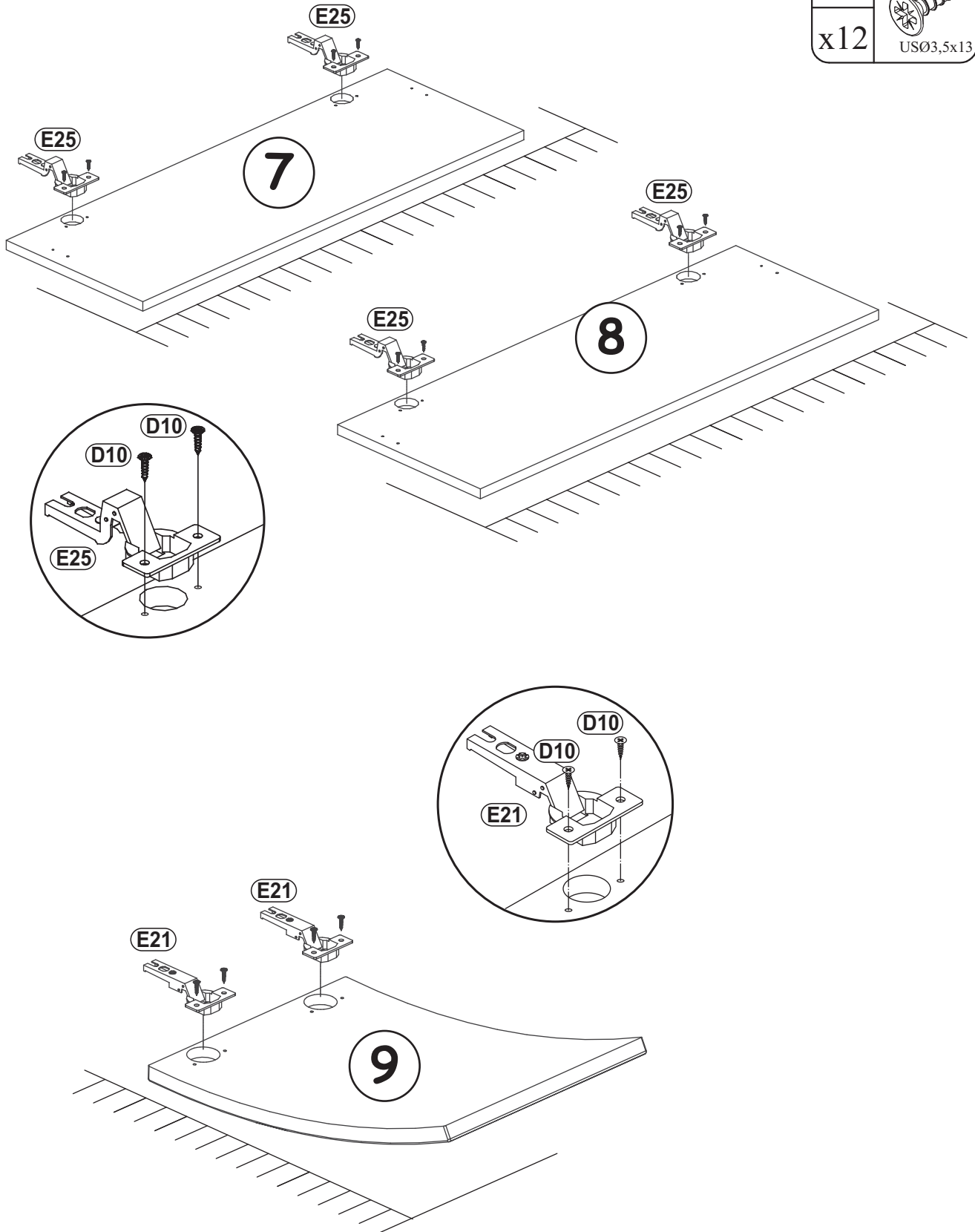
DARK 20 _DK TYP-31; TYP-40

A1 x16 ø8x36	B4 x16	B5 x16 ø15x12	G5 x16	UP13 x4 UPØ3x16	D10 x38 USØ3,5x13
T3 x2	S1 x16	KR3 x4 Ø10	E21 x2 Ø35 H=0	E2 x2 H=0	T1 x1
G2 x1	ZXL x2	ZXP x2	B01 x4	PP1 x4	E4 x4 H=2
E25 x4 Ø35 H=16	G16 x4	Z5 x8 Ø10	Z2 x8 Ø5		

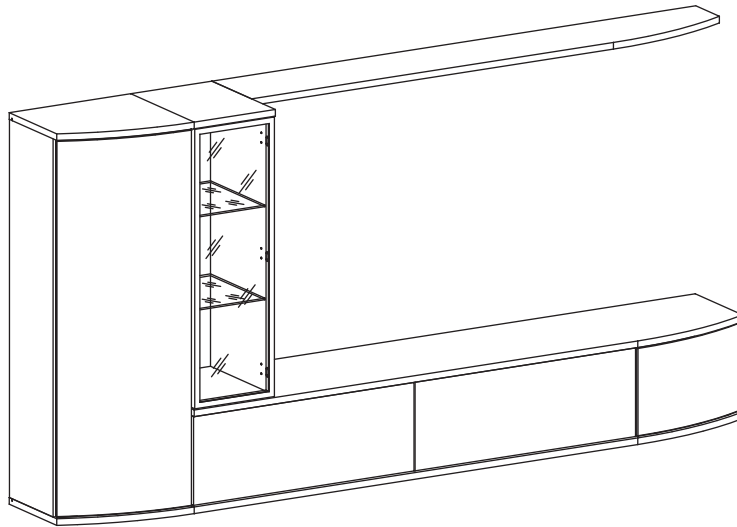




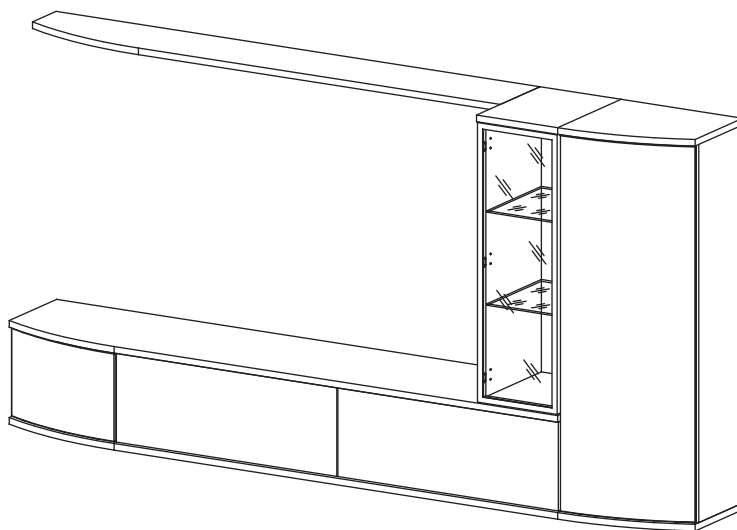
1



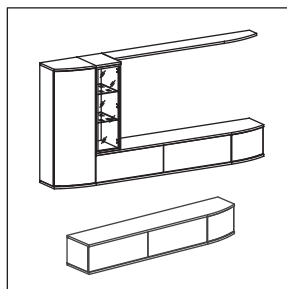
2 - 10


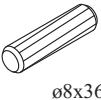
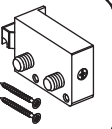
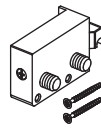
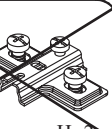
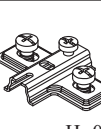



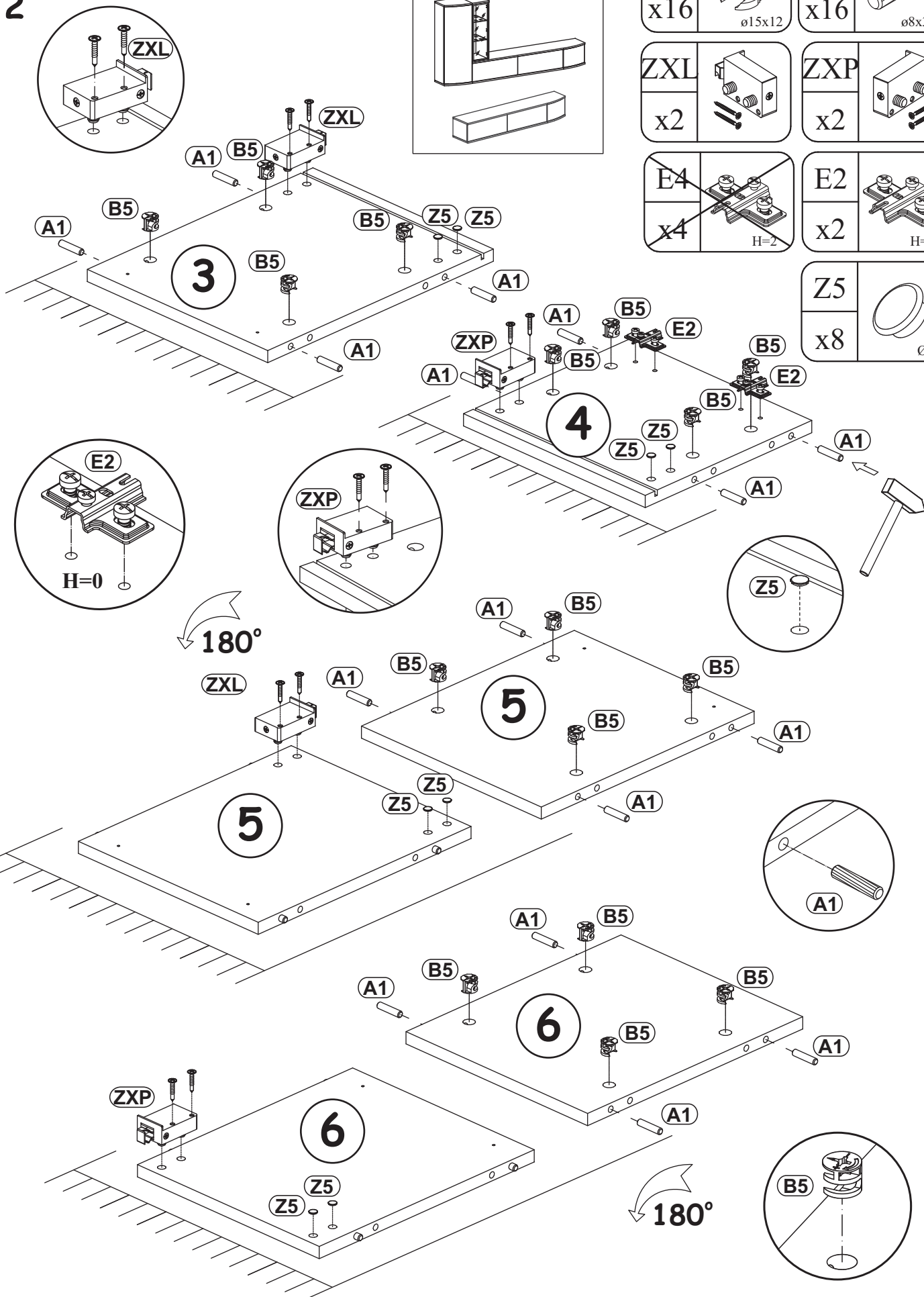
11 - 19



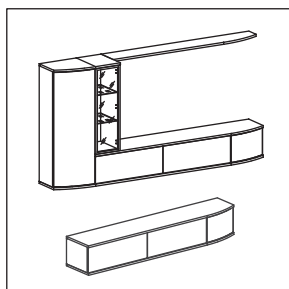
2



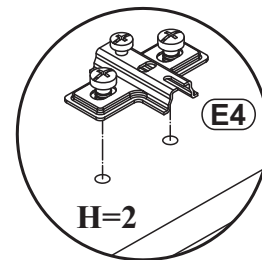
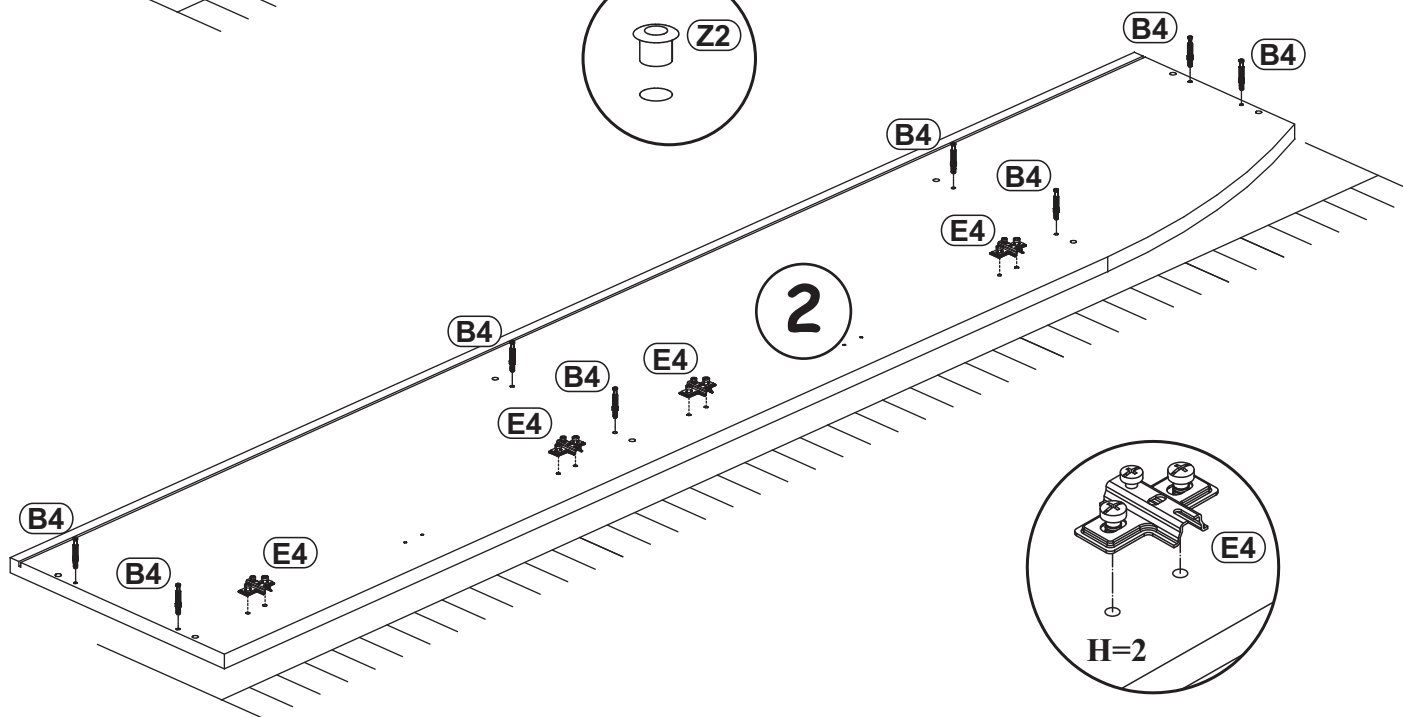
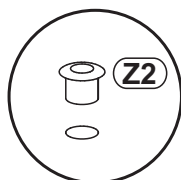
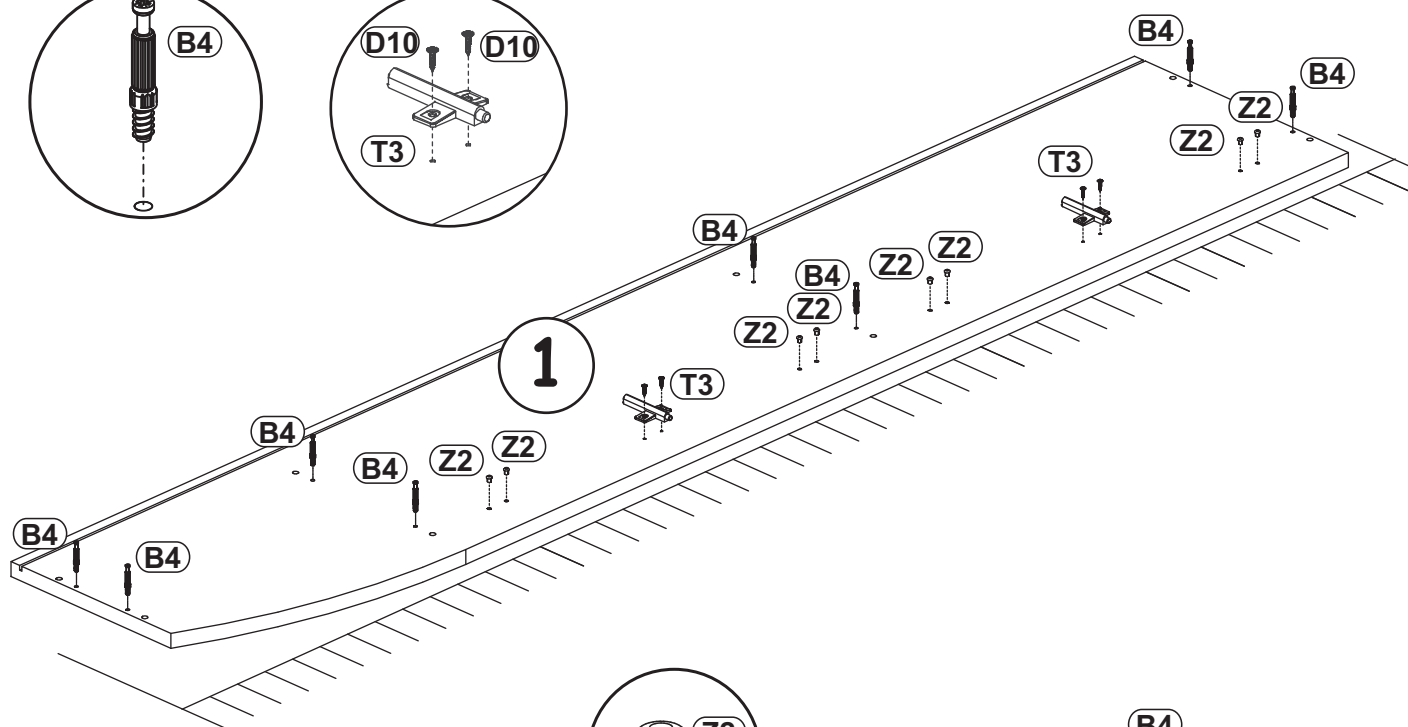
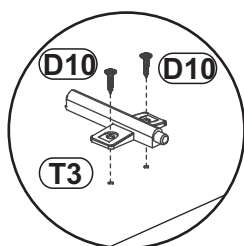
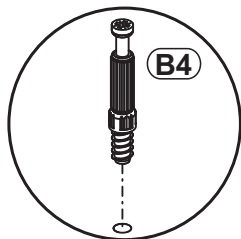
B5 x16	 ø15x12	A1 x16	 ø8x36
ZXL x2		ZXP x2	
E4 x4	 H=2	E2 x2	 H=0
		Z5 x8	 ø10

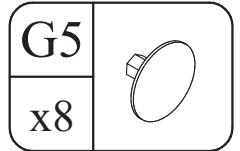


3

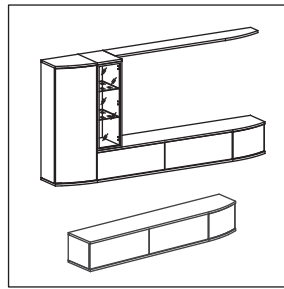
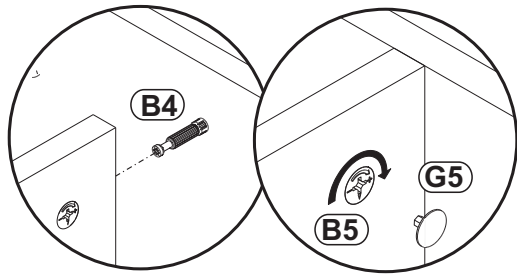


T3		D10		B4	
x2		x4	USØ3,5x13	x16	
Z2		E4		E2	
x8	Ø5	x4	H=2	x2	H=0

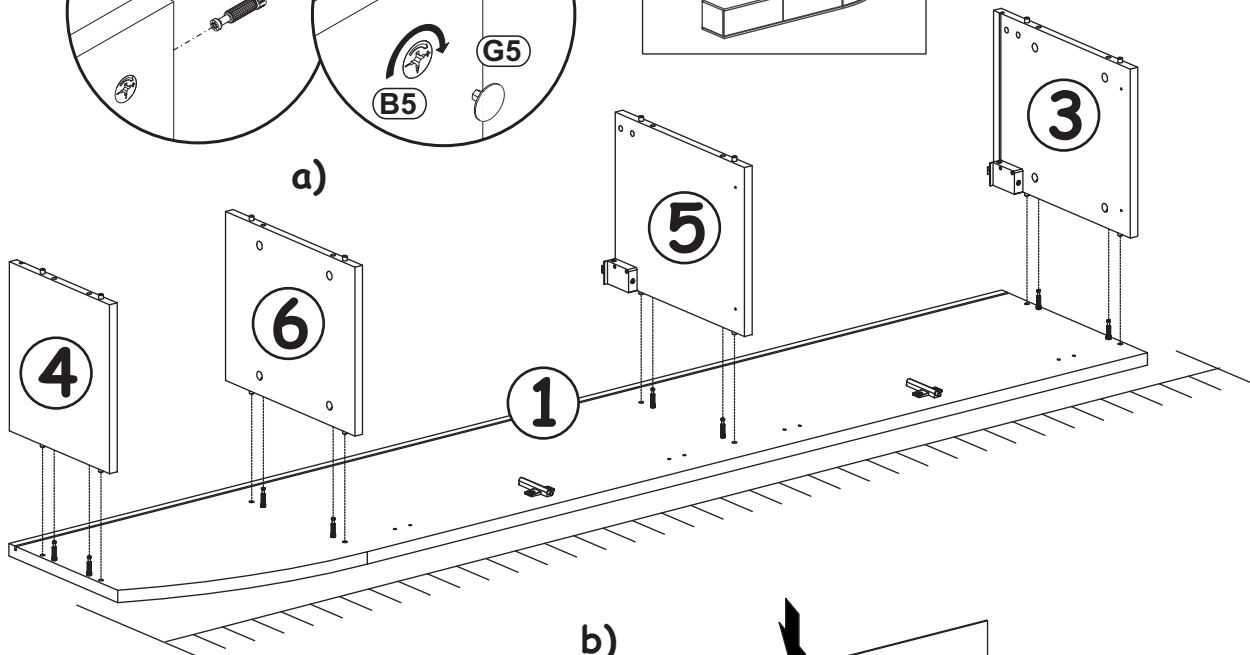




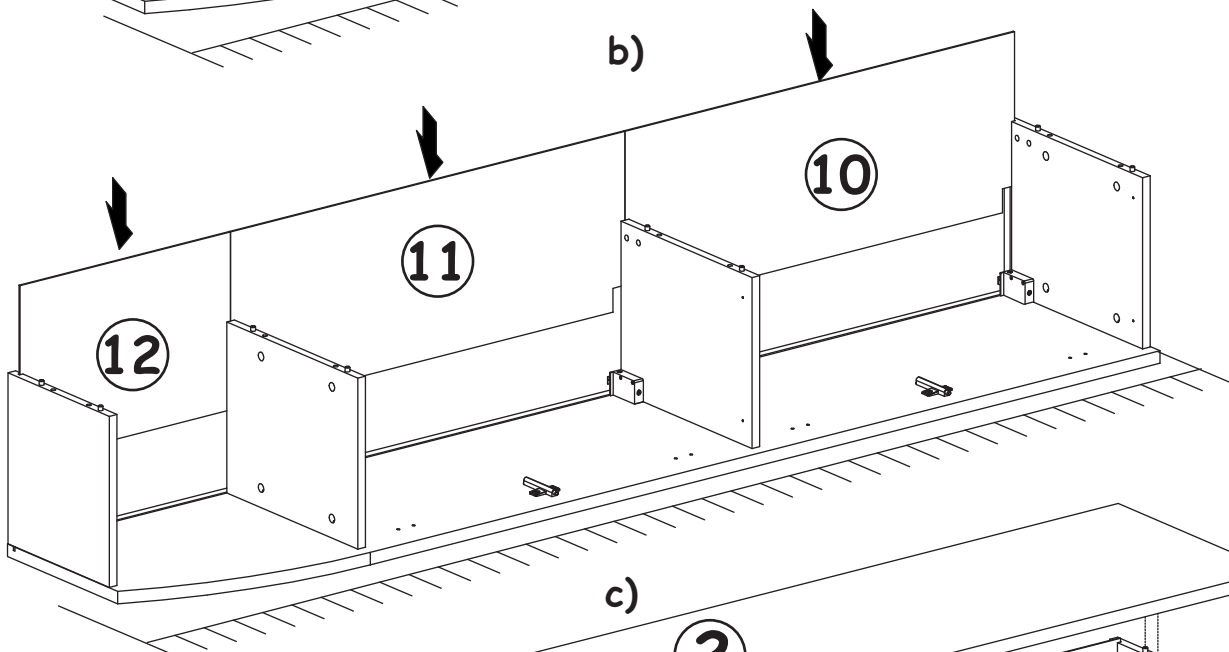
4



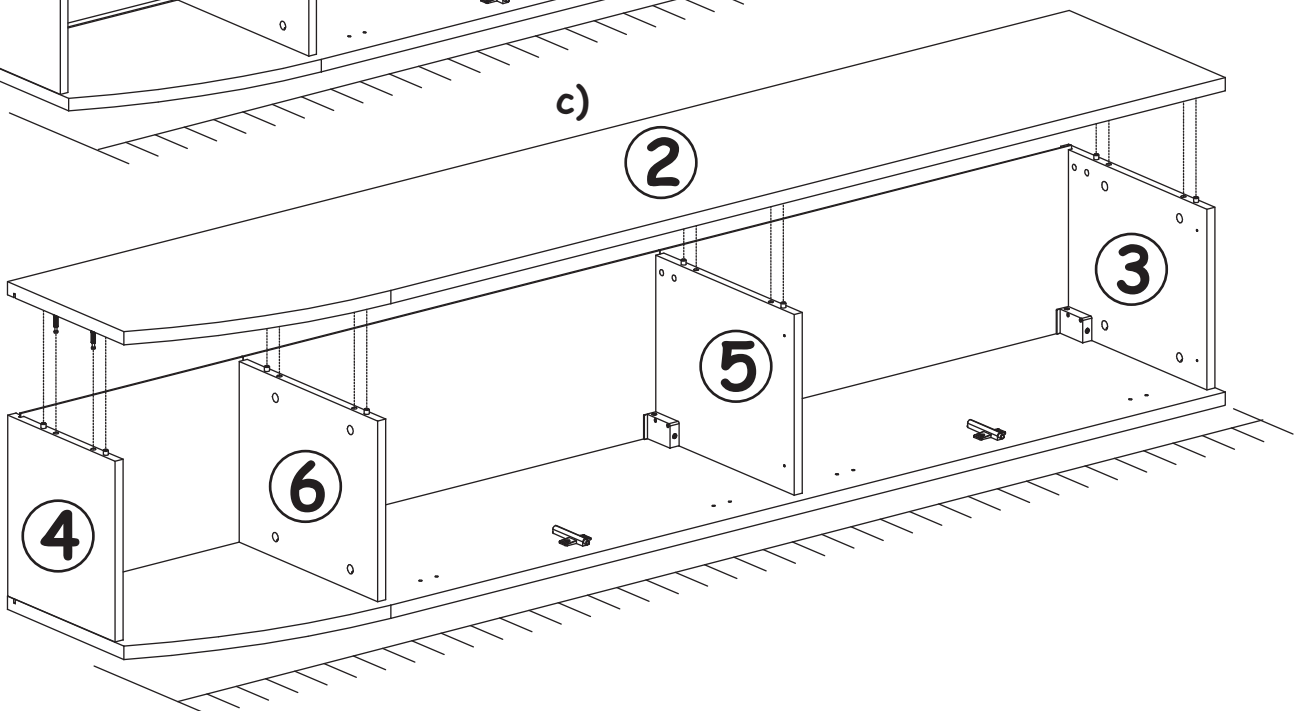
a)



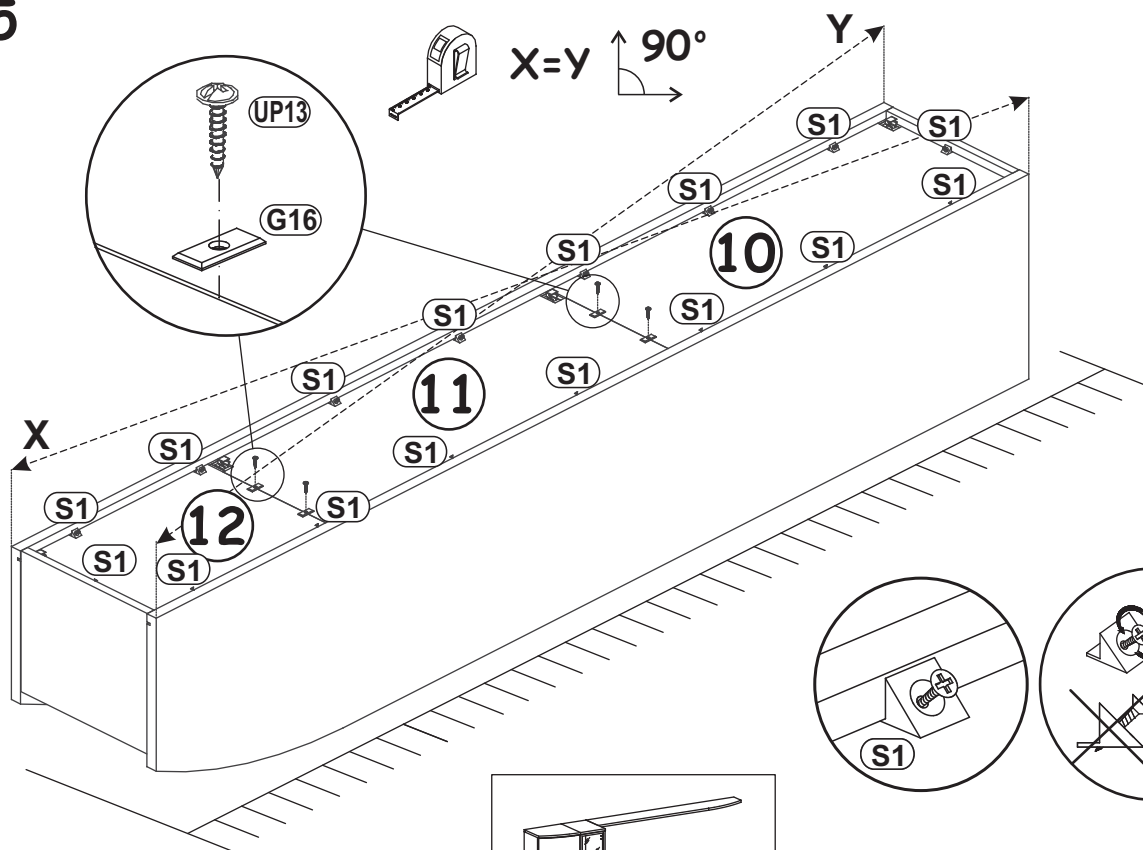
b)



c)



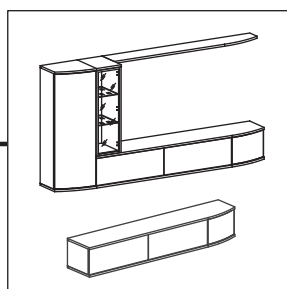
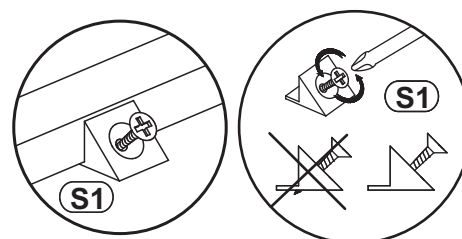
5



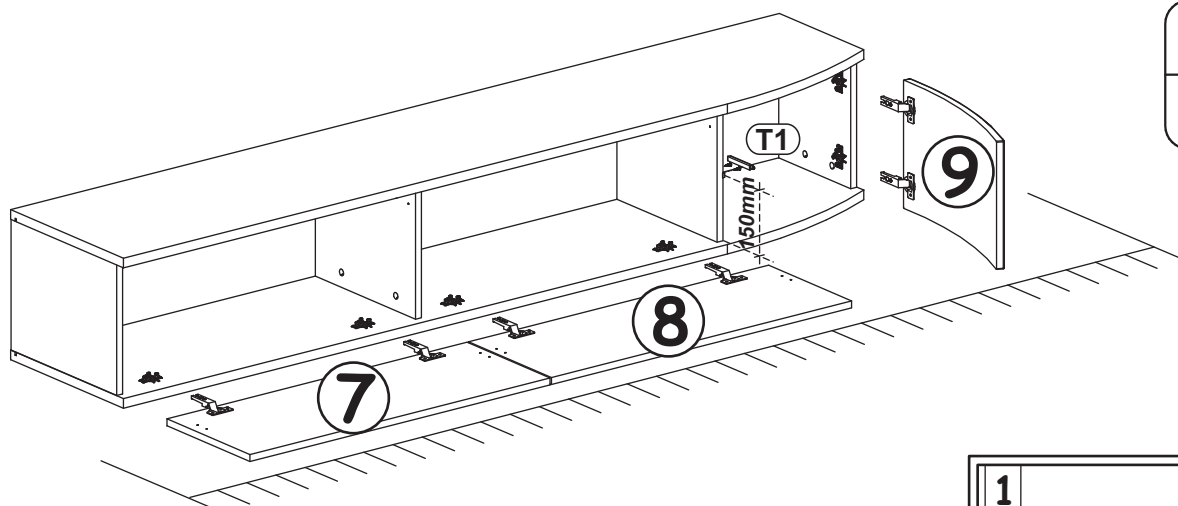
UP13	
x4	UPØ3x16

S1	
x16	

G16	
x4	

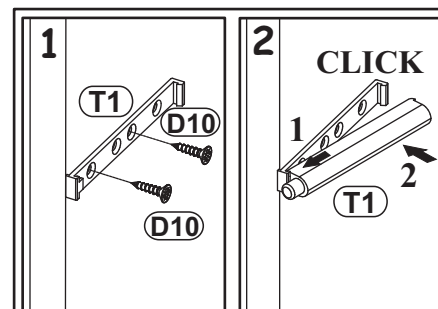
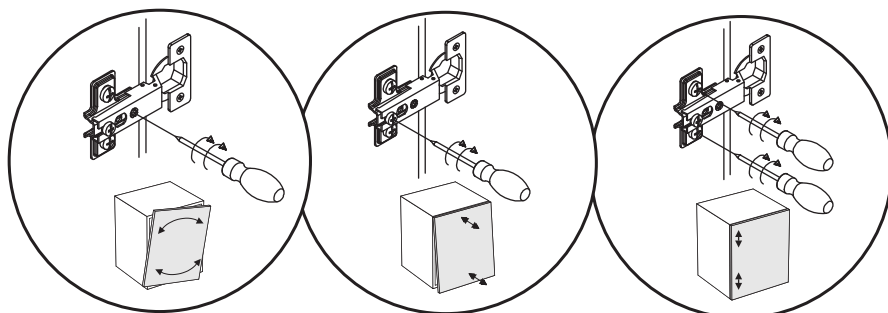


6

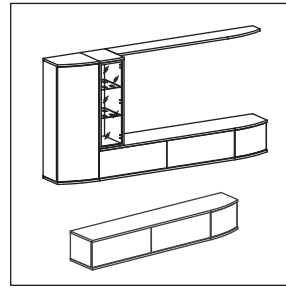


D10	
x2	USØ3,5x13

T1	
x1	

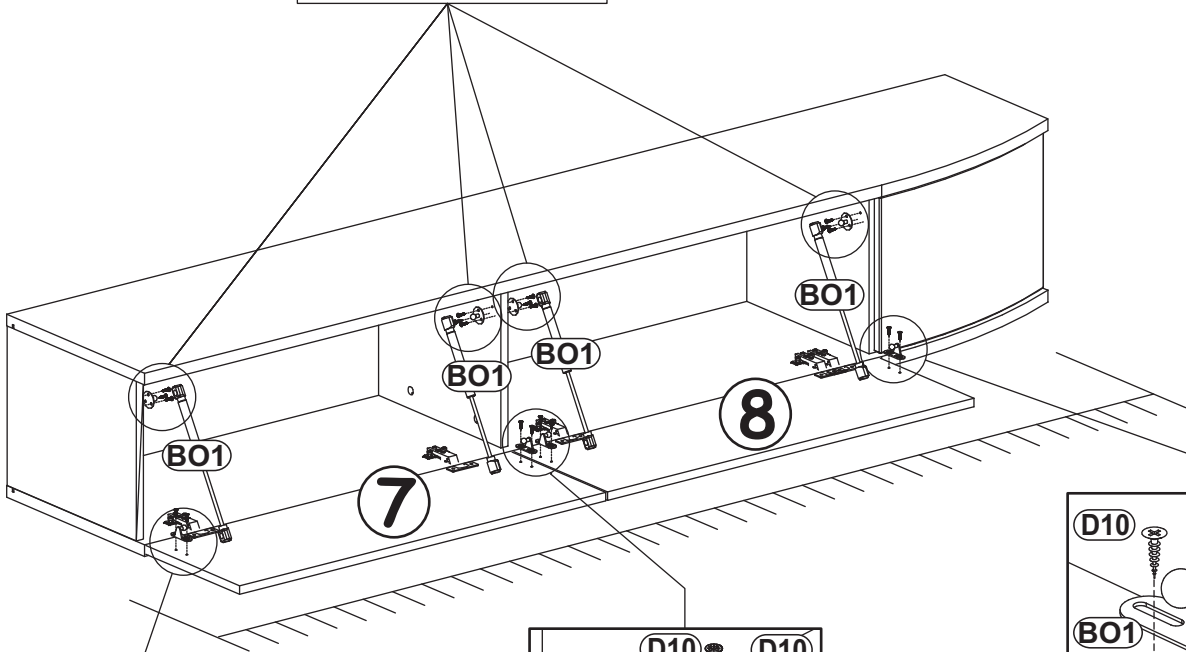
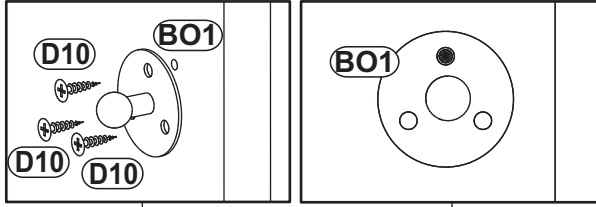


7



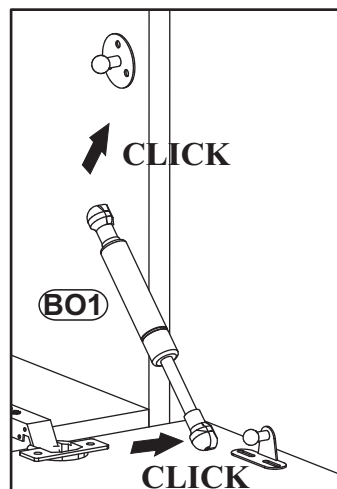
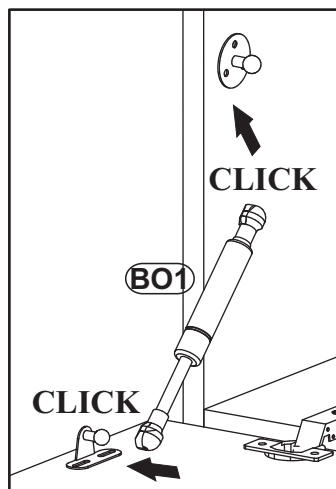
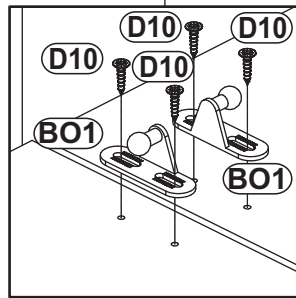
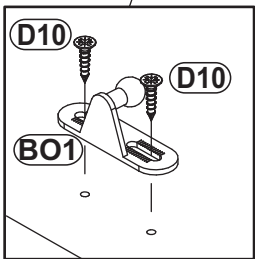
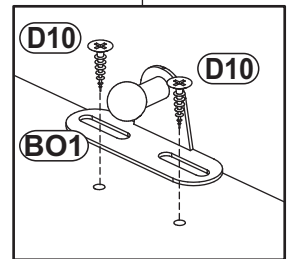
D10
x20
USØ3,5x13

B01
x4

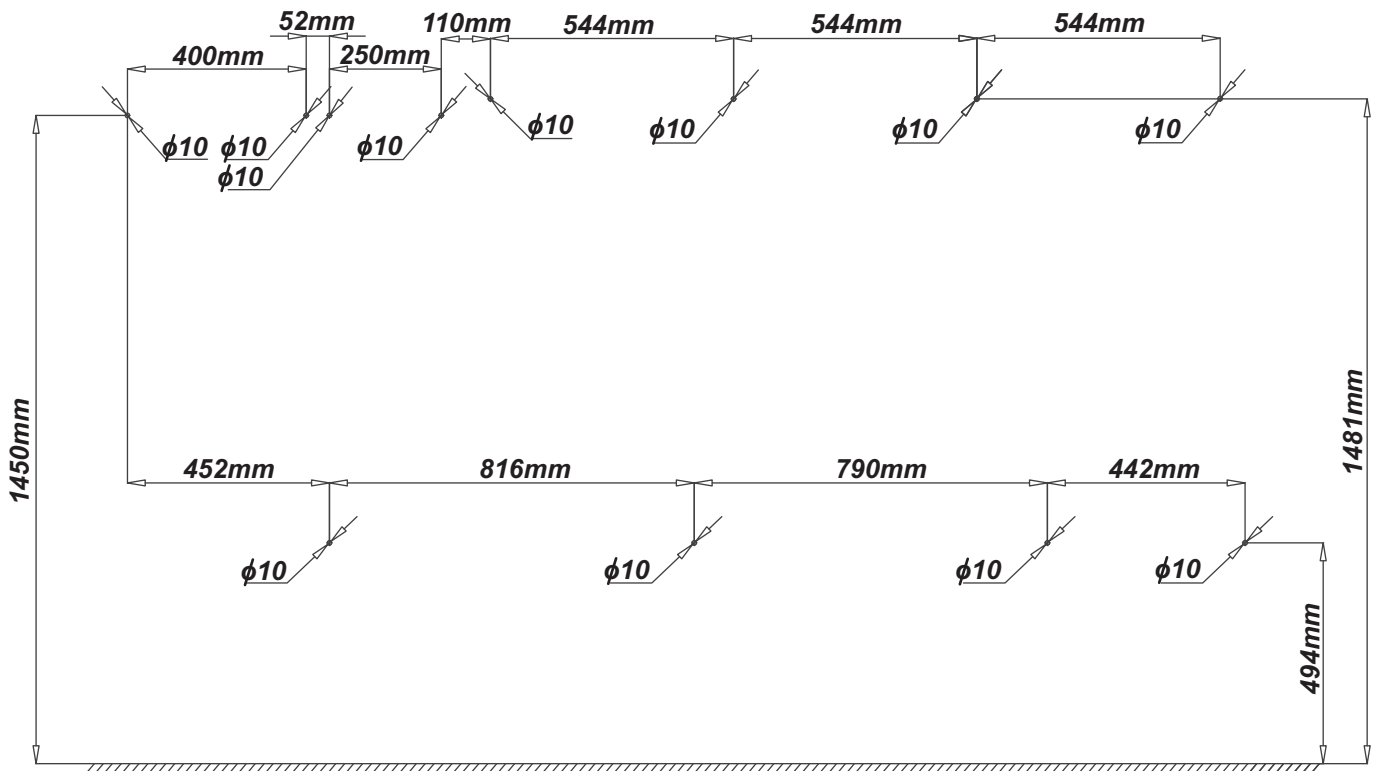
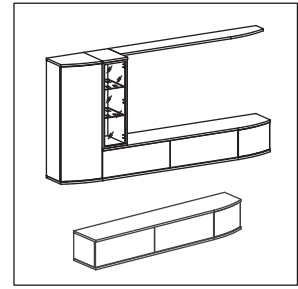
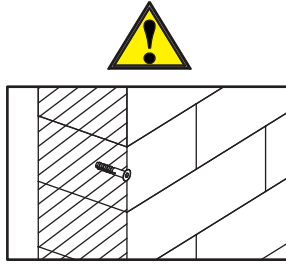
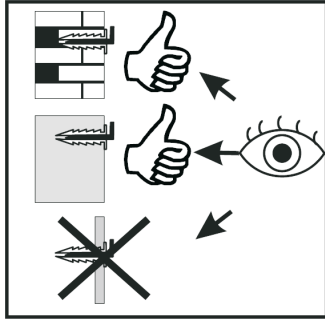


7

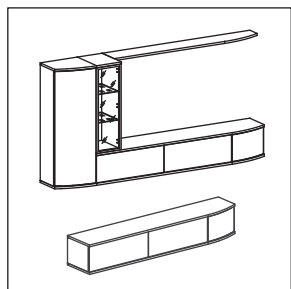
8



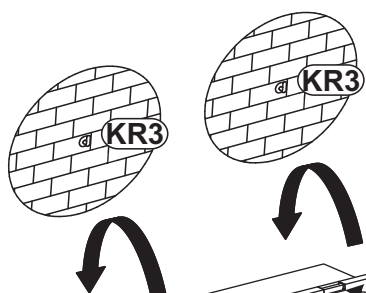
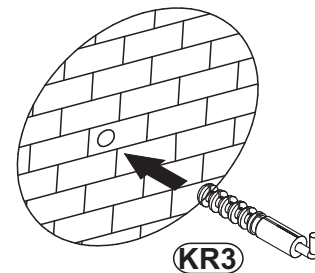
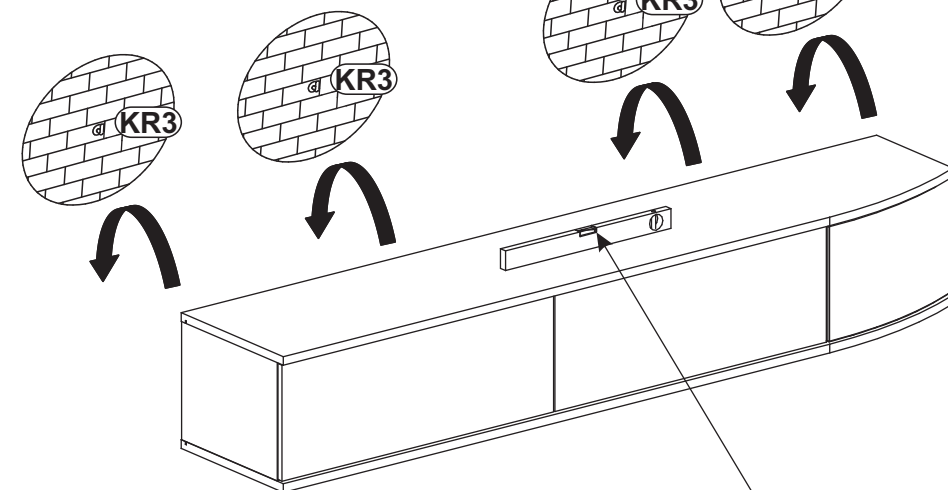
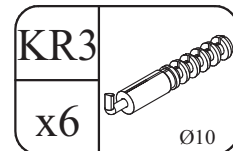
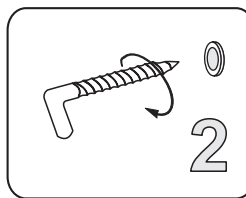
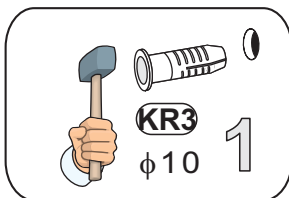
8



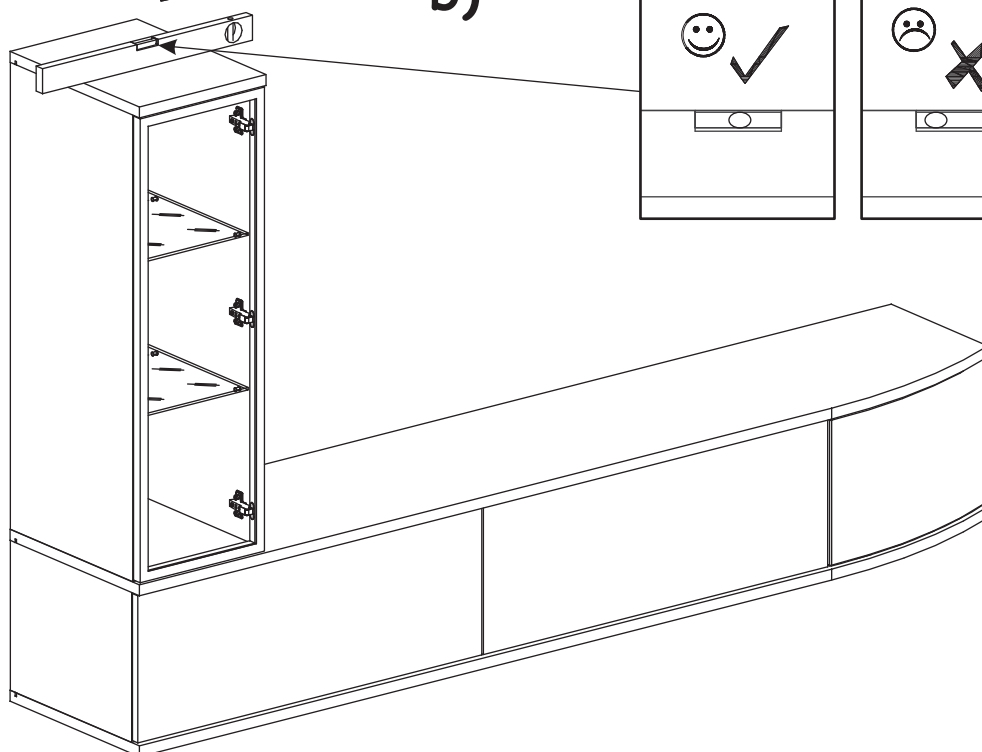
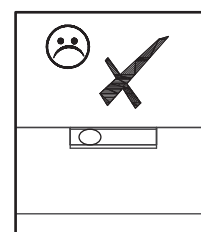
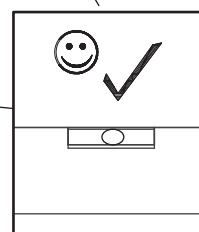
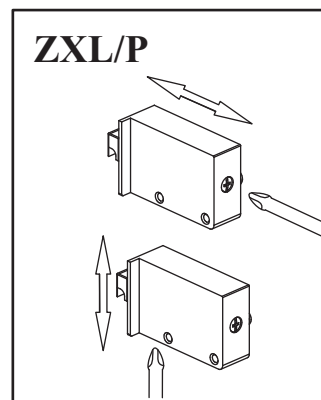
9



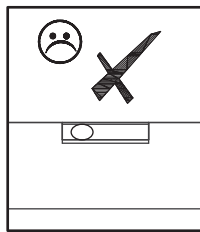
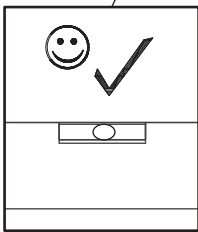
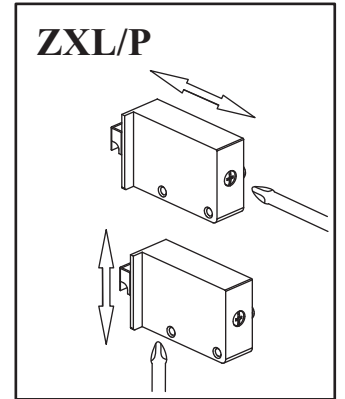
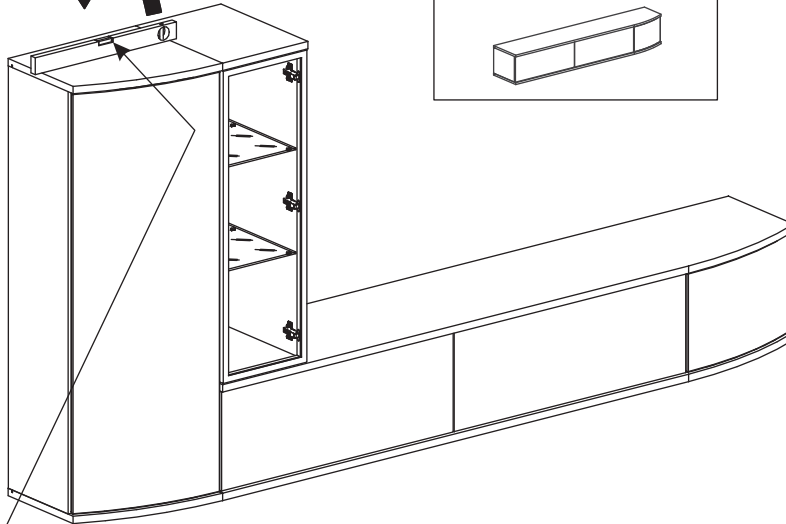
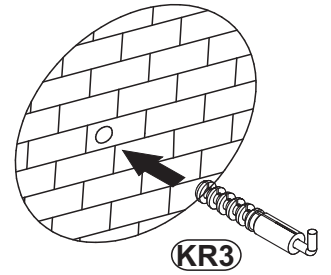
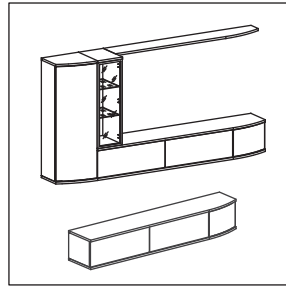
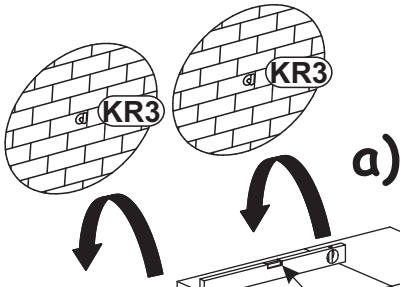
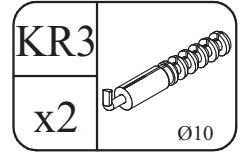
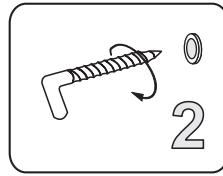
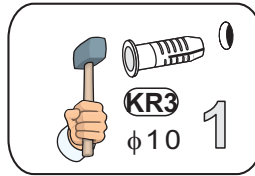
a)



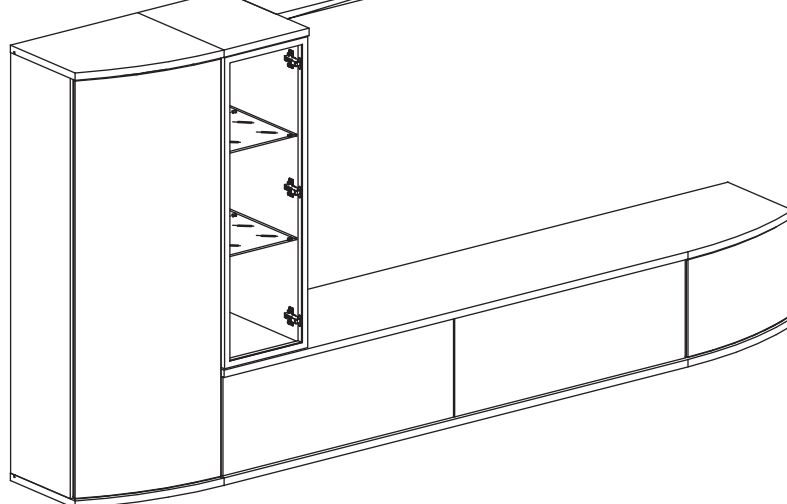
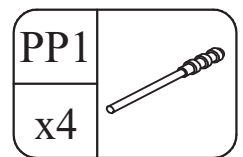
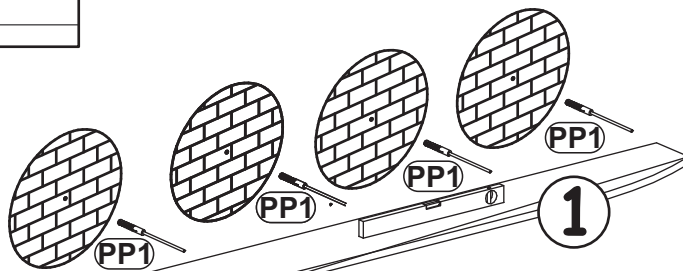
b)



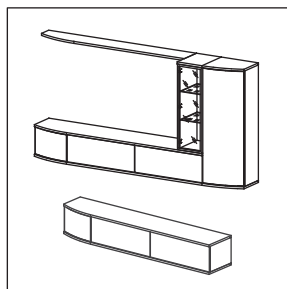
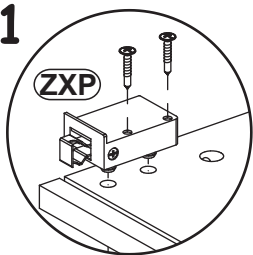
10



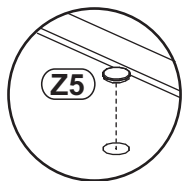
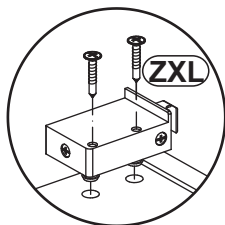
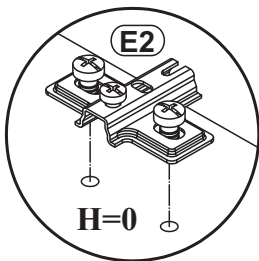
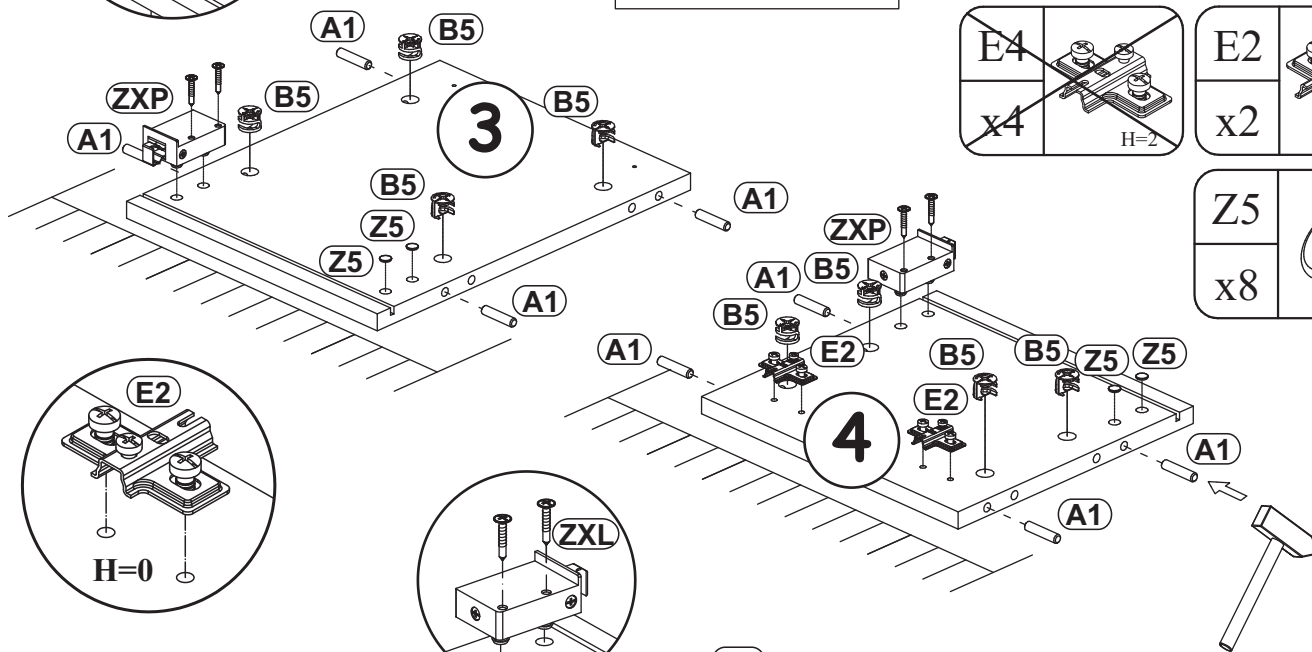
b)



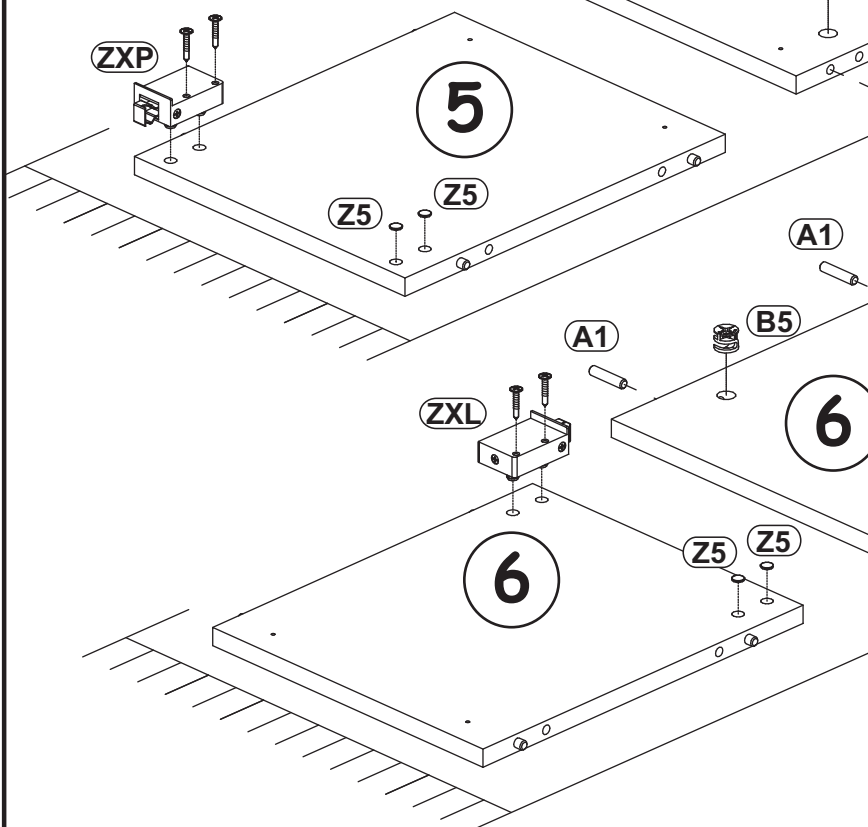
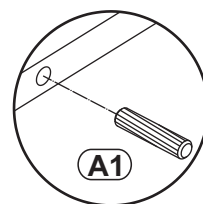
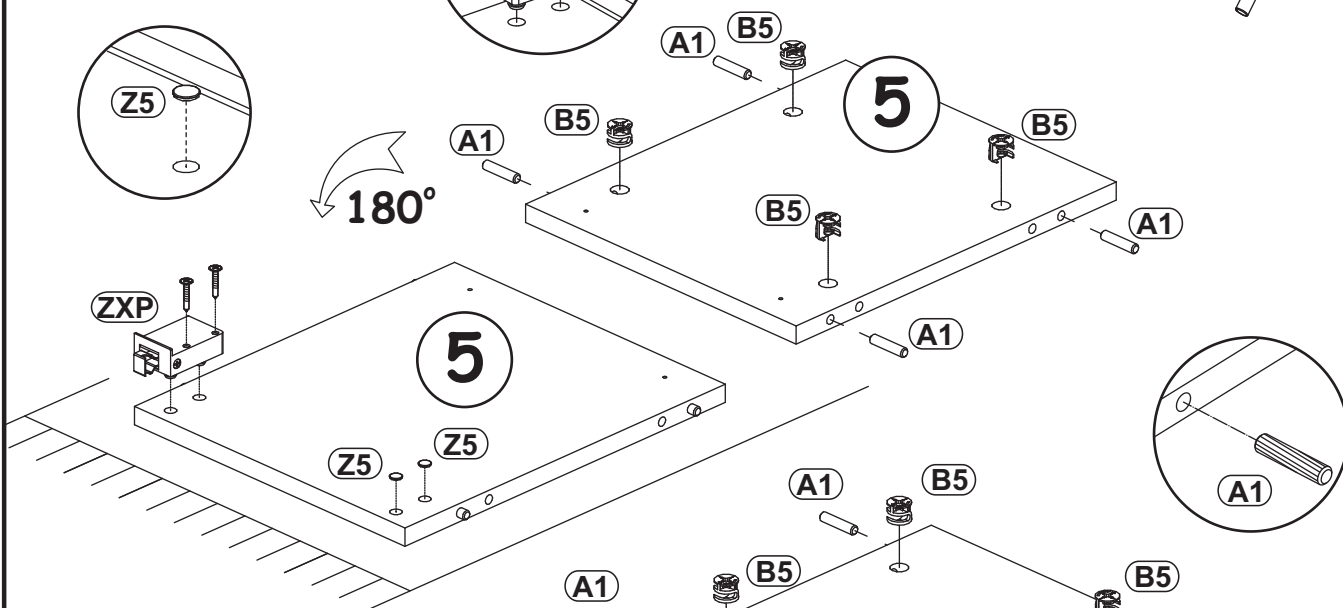
11



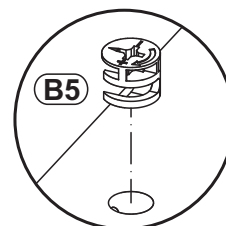
B5 x16		A1 x16	
ZXL x2		ZXP x2	
E4 x4		E2 x2	
Z5 x8			



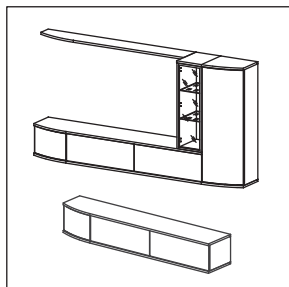
180°



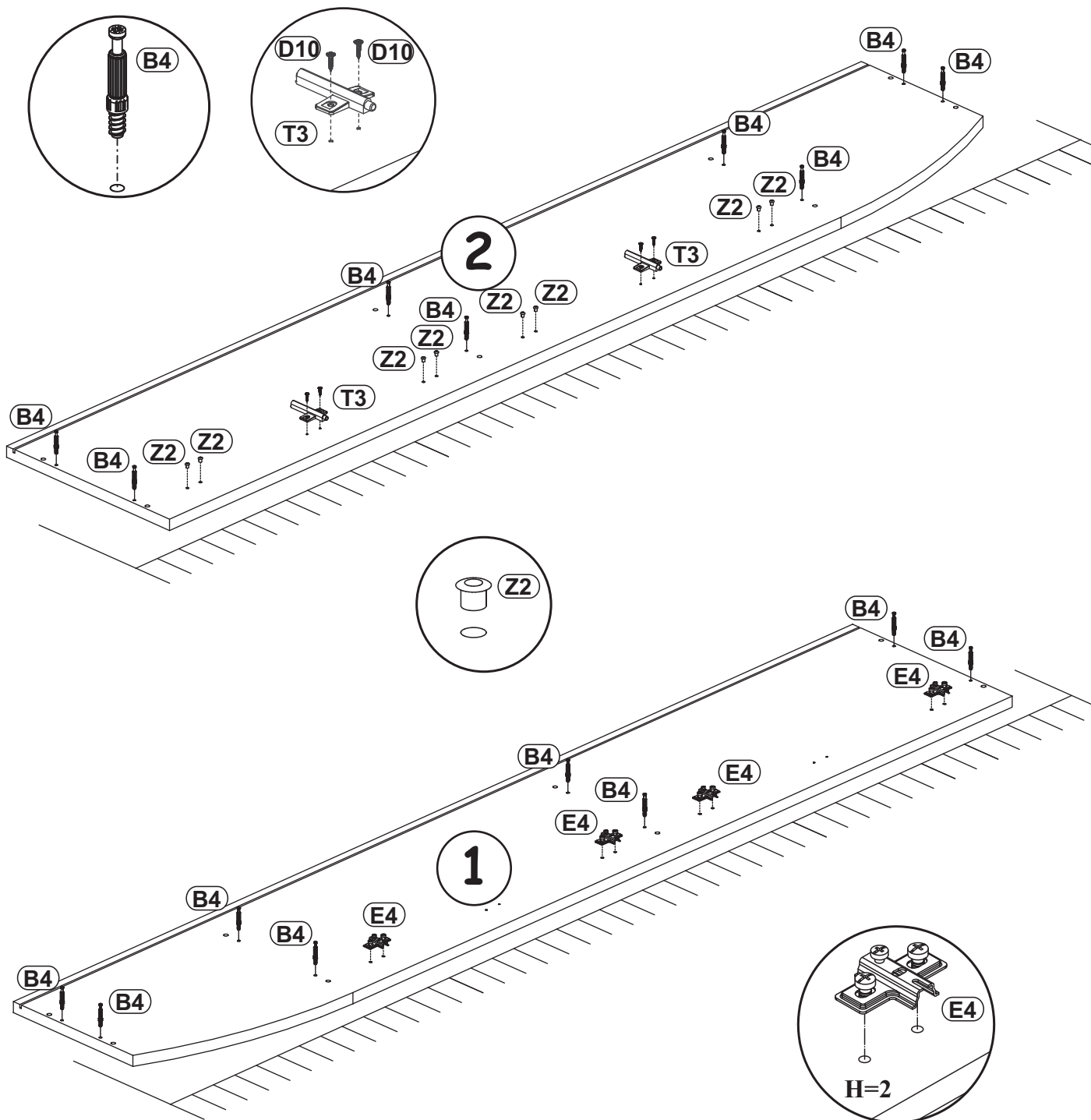
180°



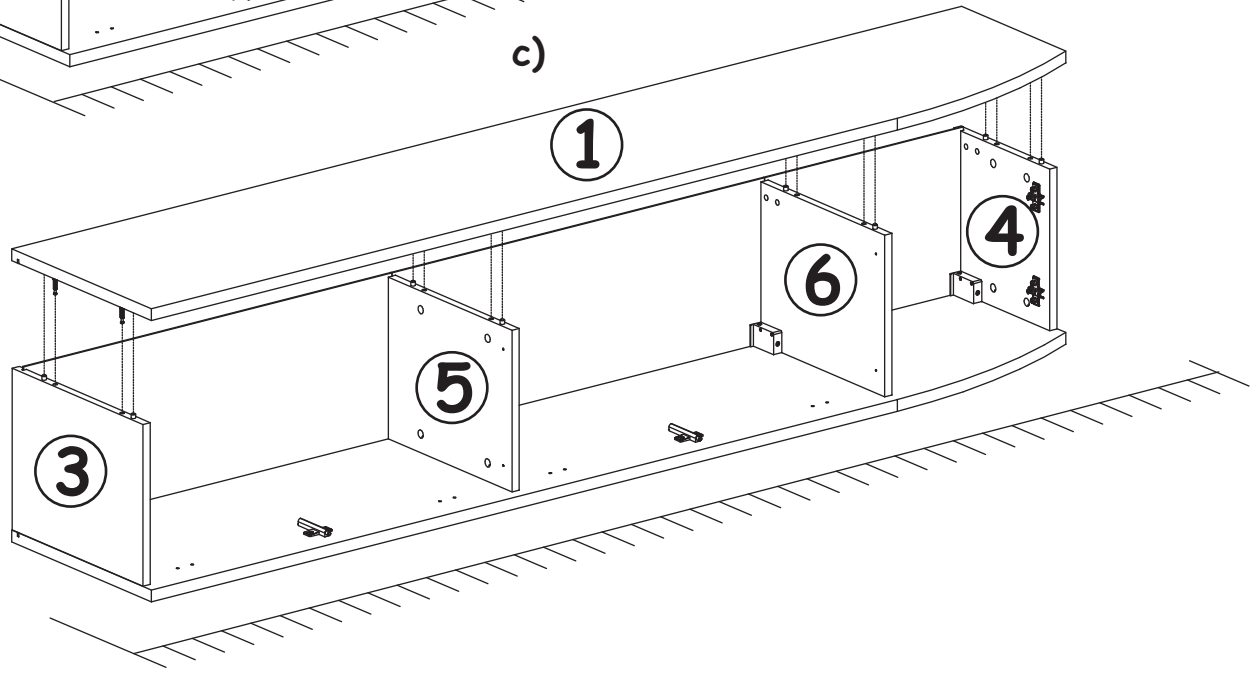
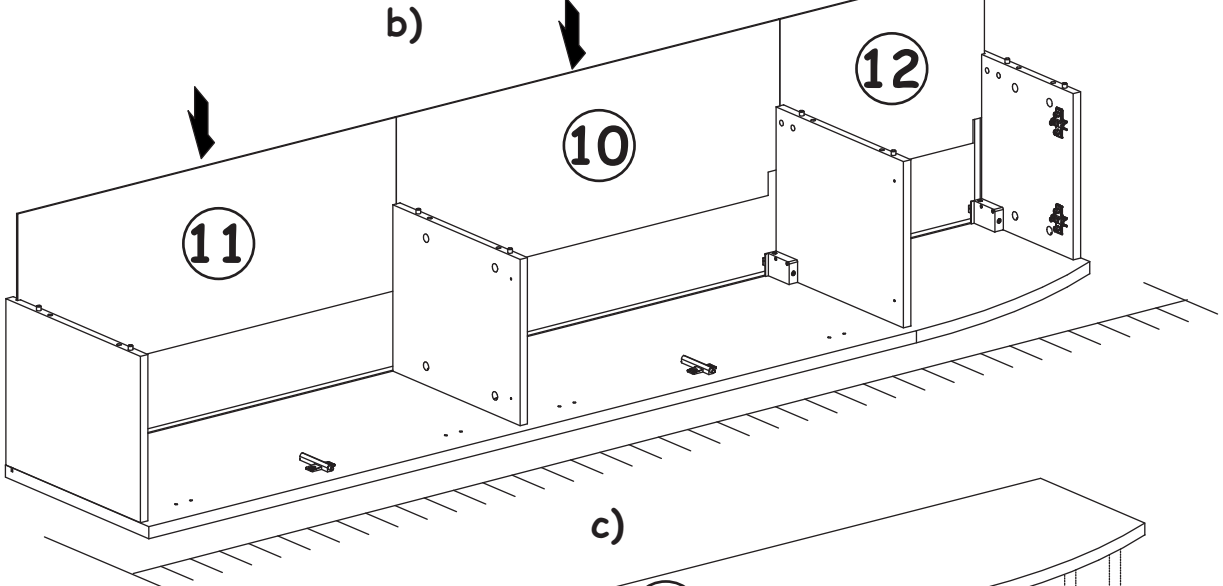
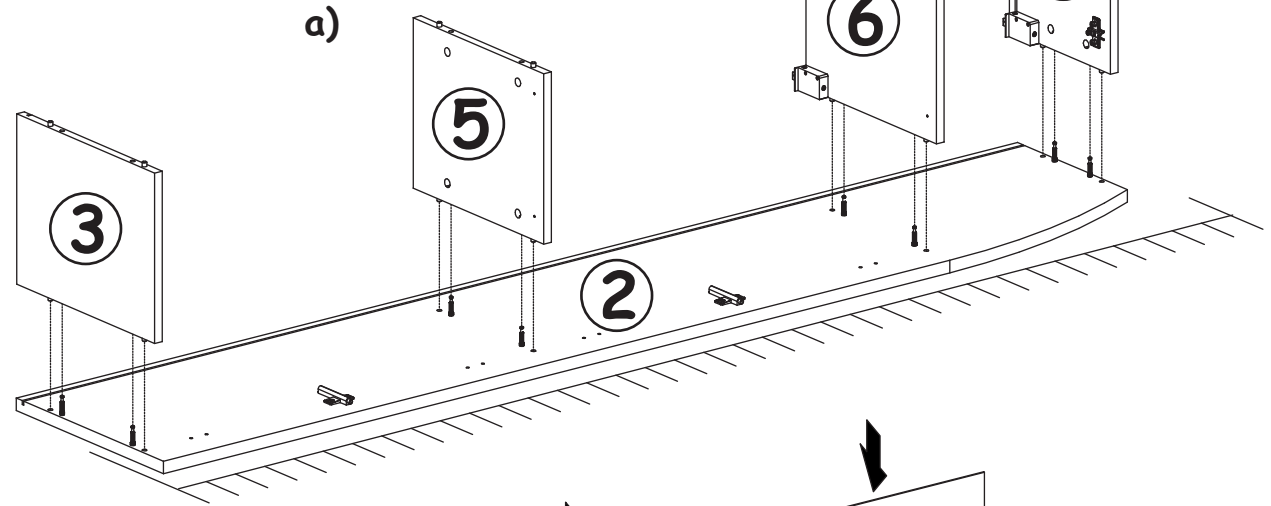
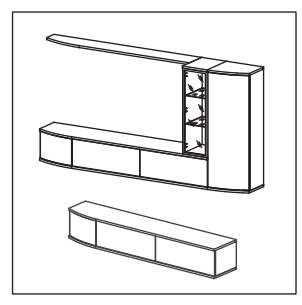
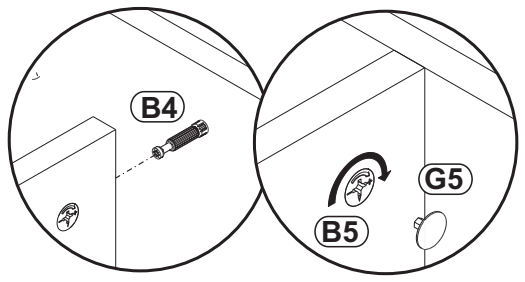
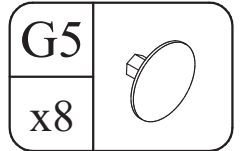
12



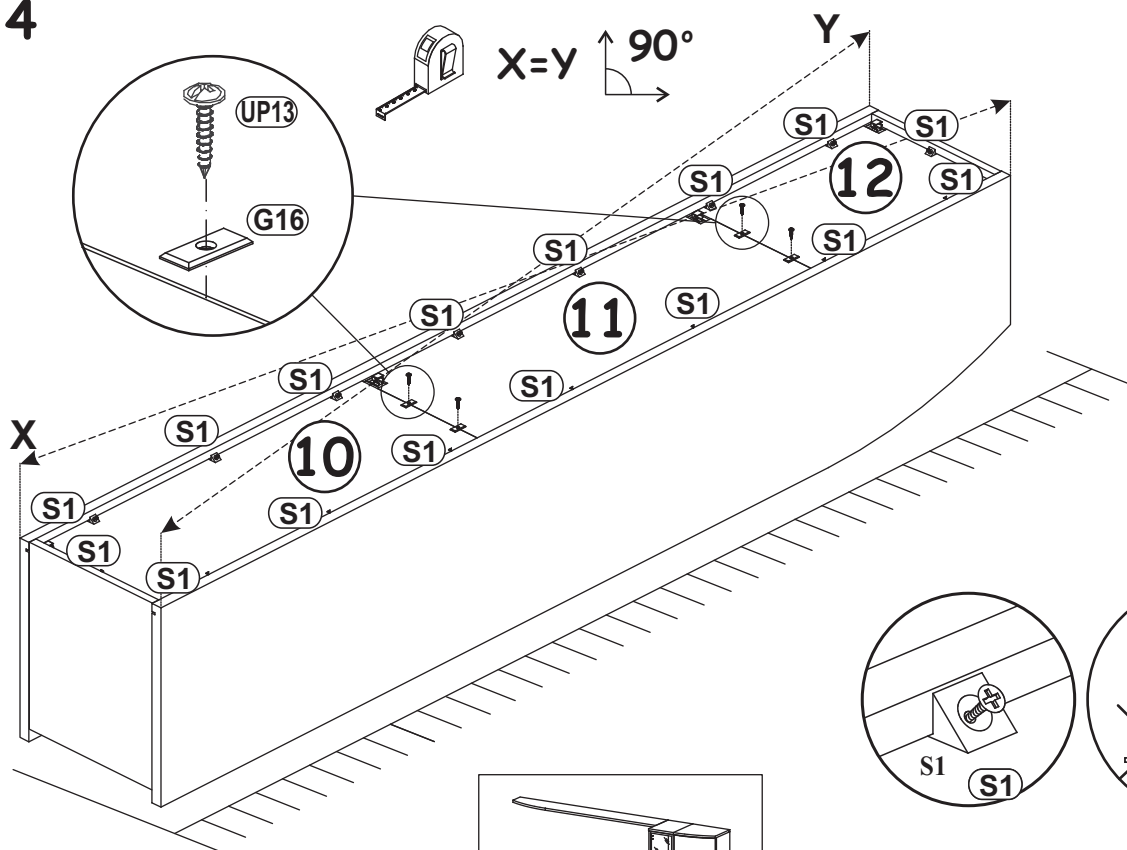
T3		D10		B4	
x2		x4	USØ3,5x13	x16	
Z2		E4		E2	
x8	Ø5	x4	H=2	x2	H=0



13



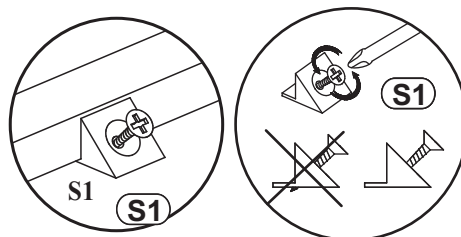
14



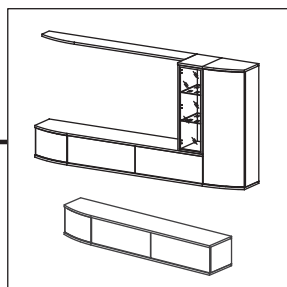
UP13	
x4	UP03x16

S1	
x16	

G16	
x4	

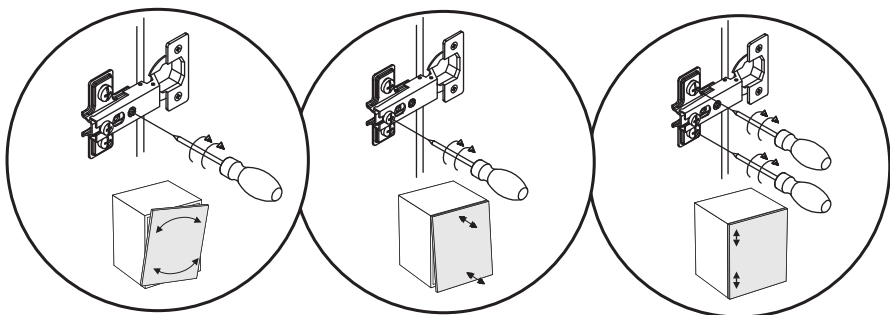
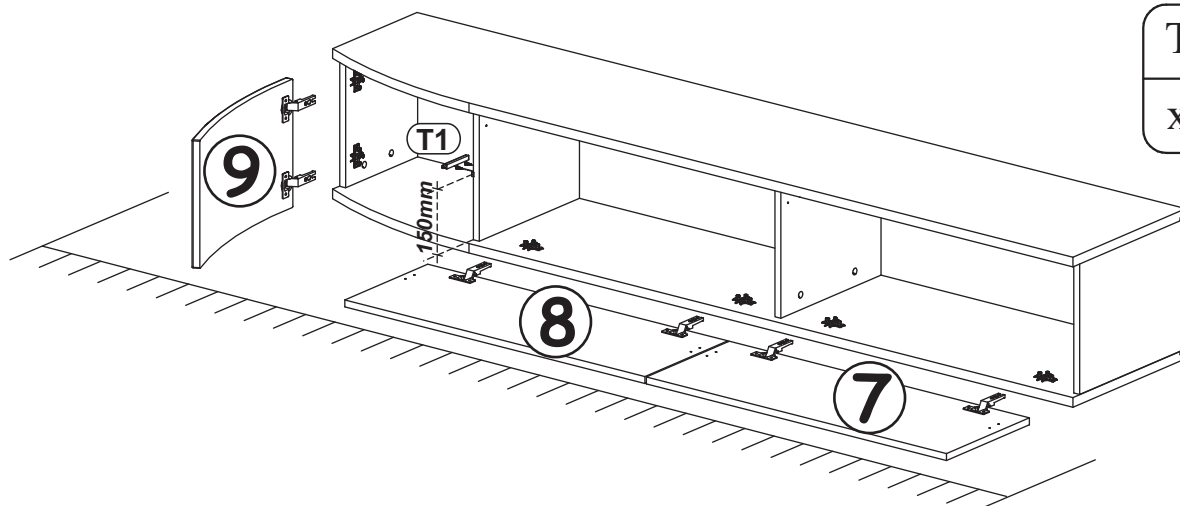


15



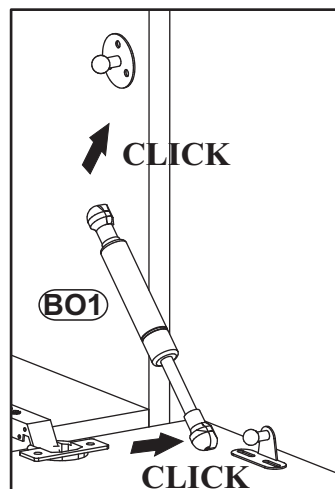
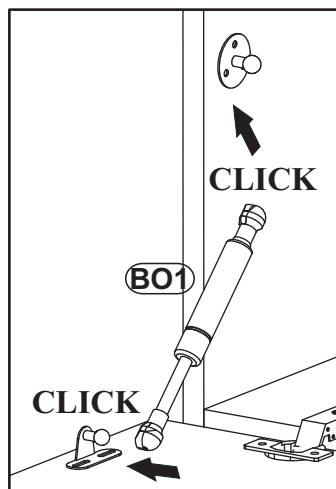
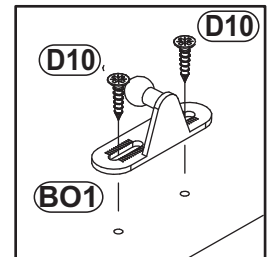
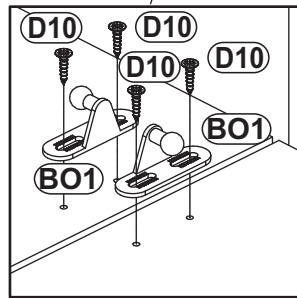
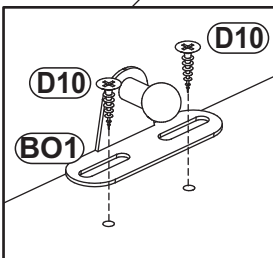
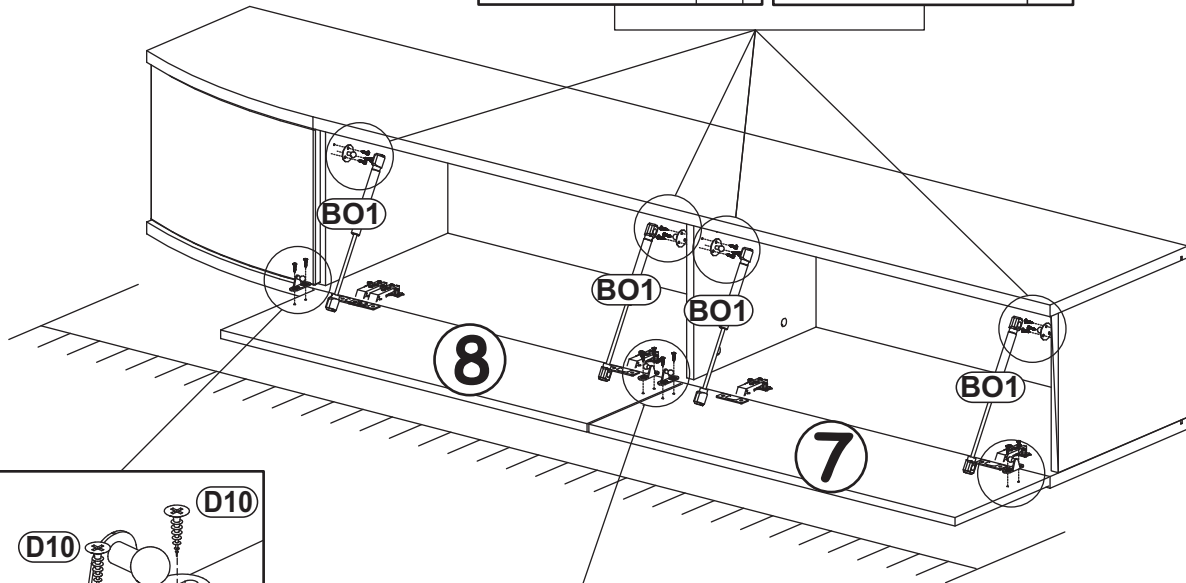
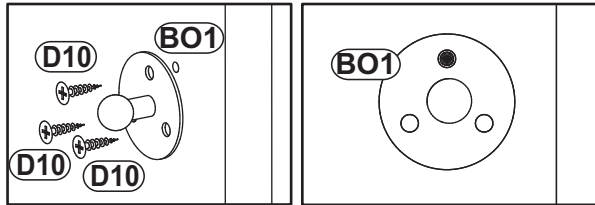
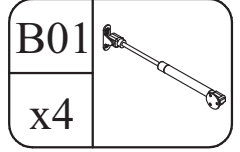
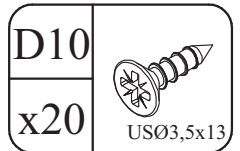
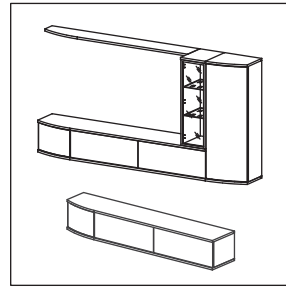
D10	
x2	US03,5x13

T1	
x1	

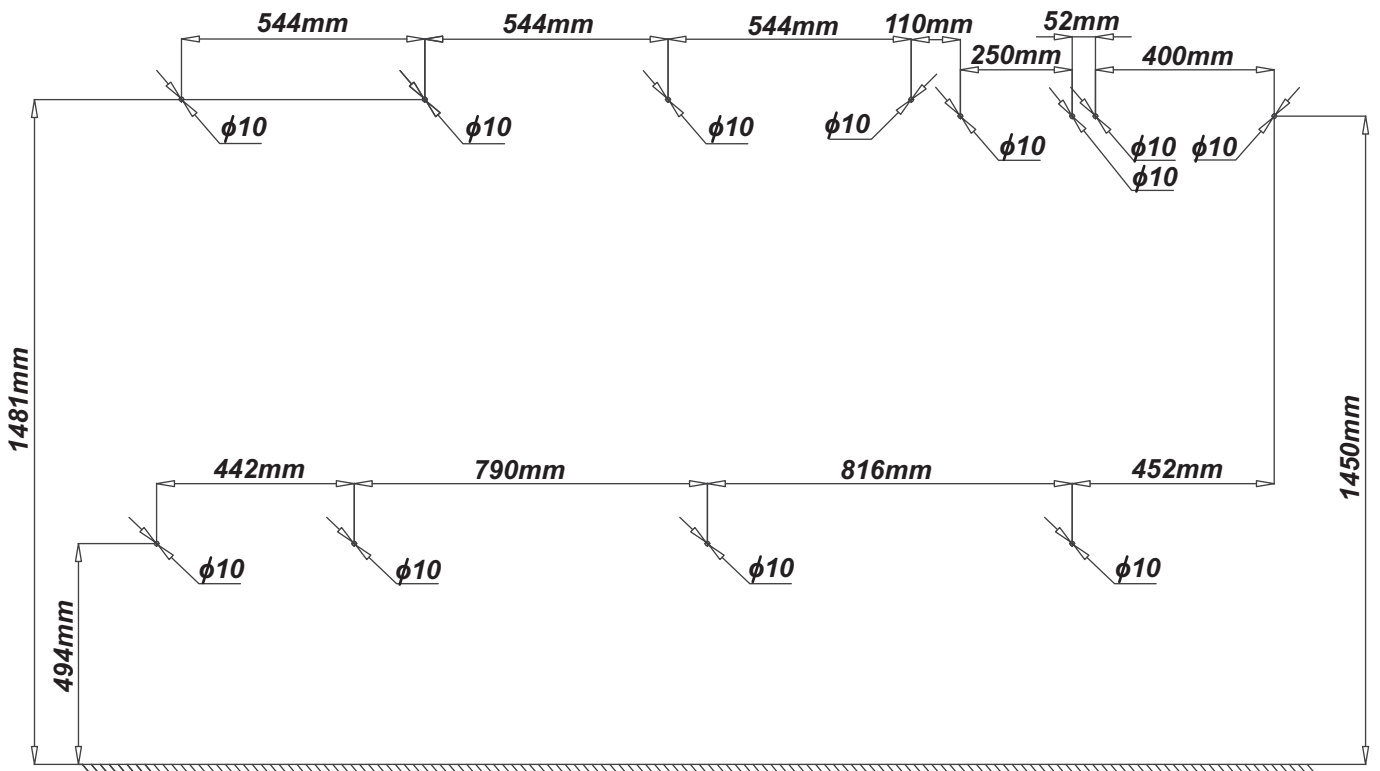
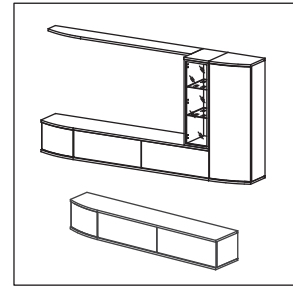
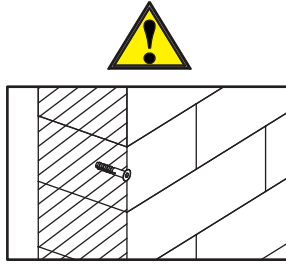
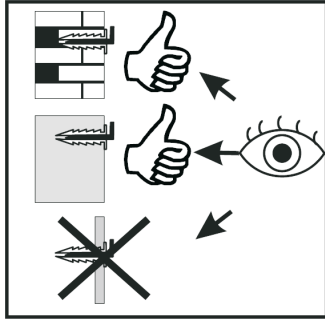


1	
2	CLICK

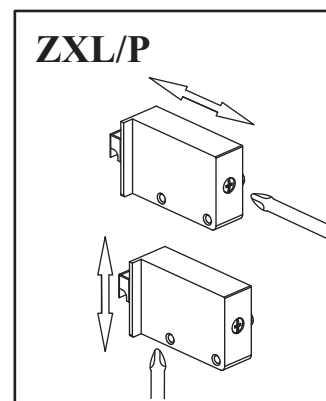
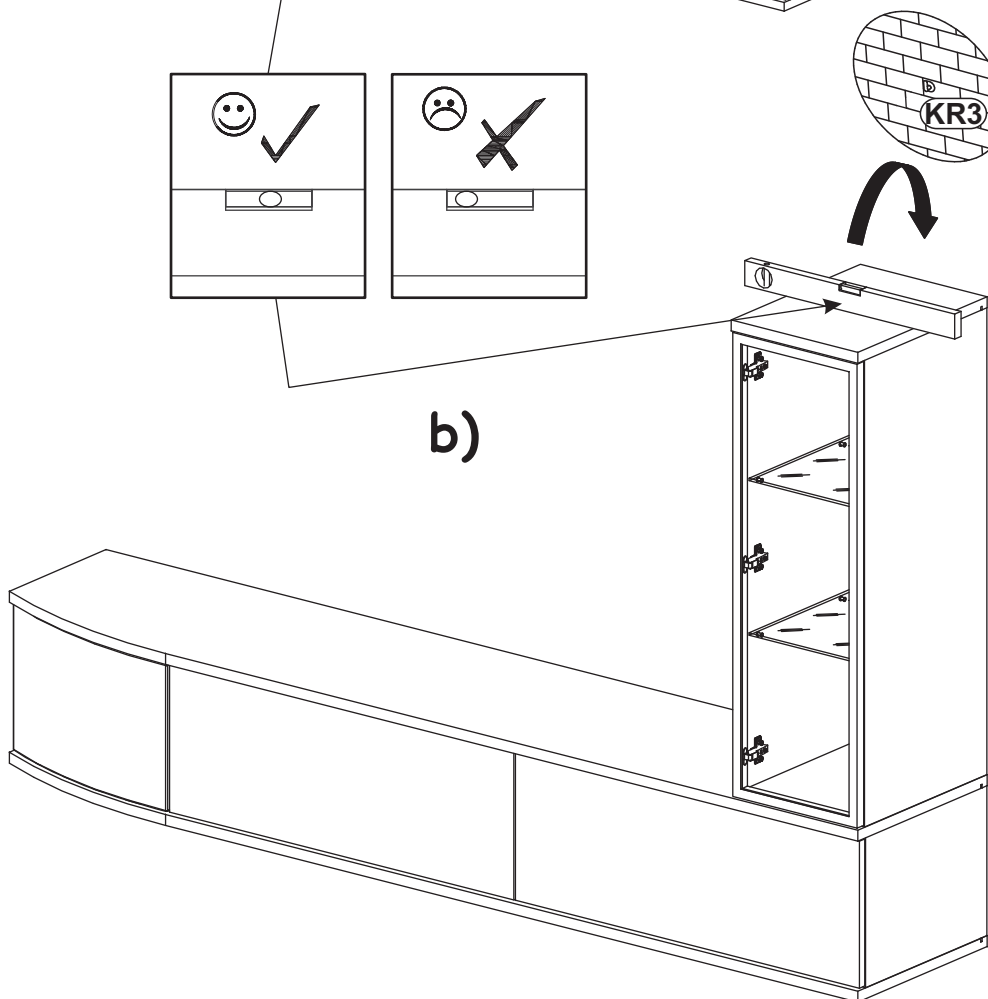
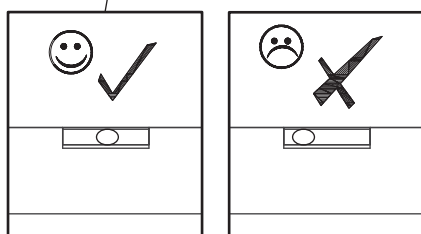
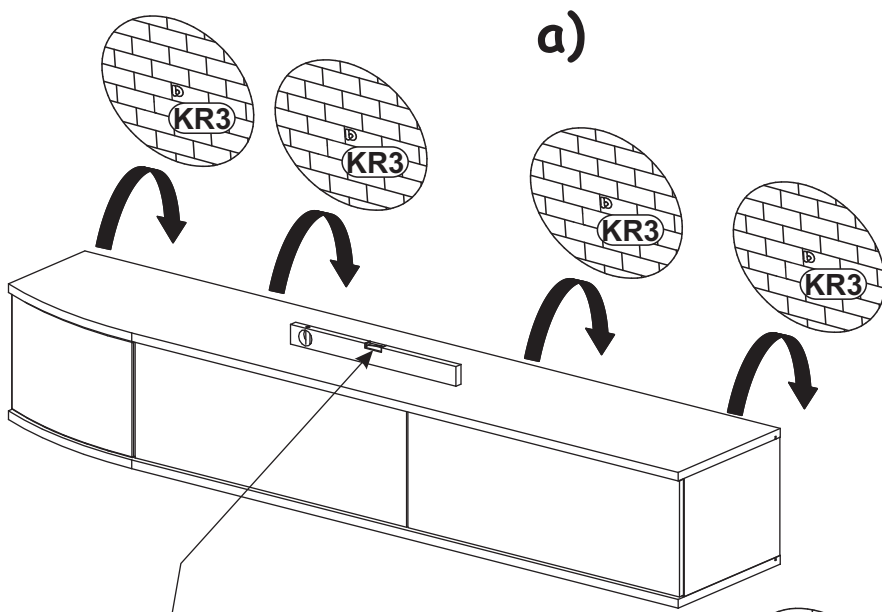
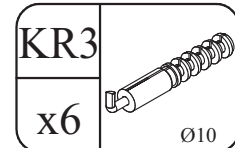
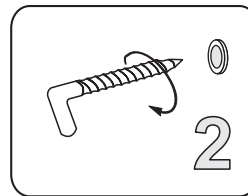
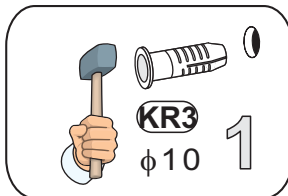
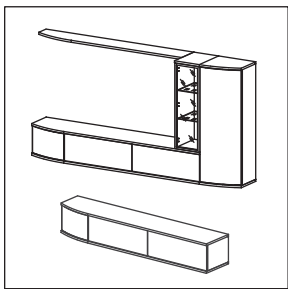
16



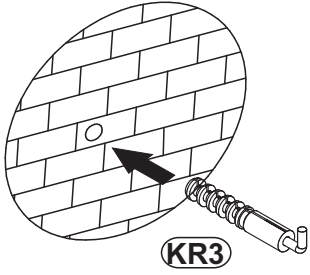
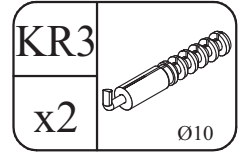
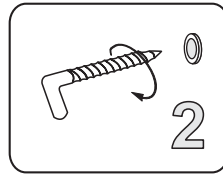
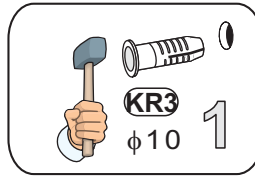
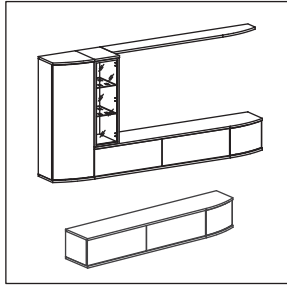
17



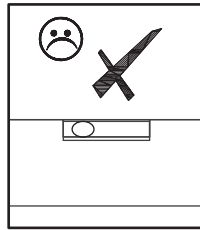
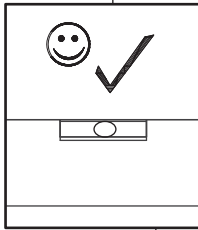
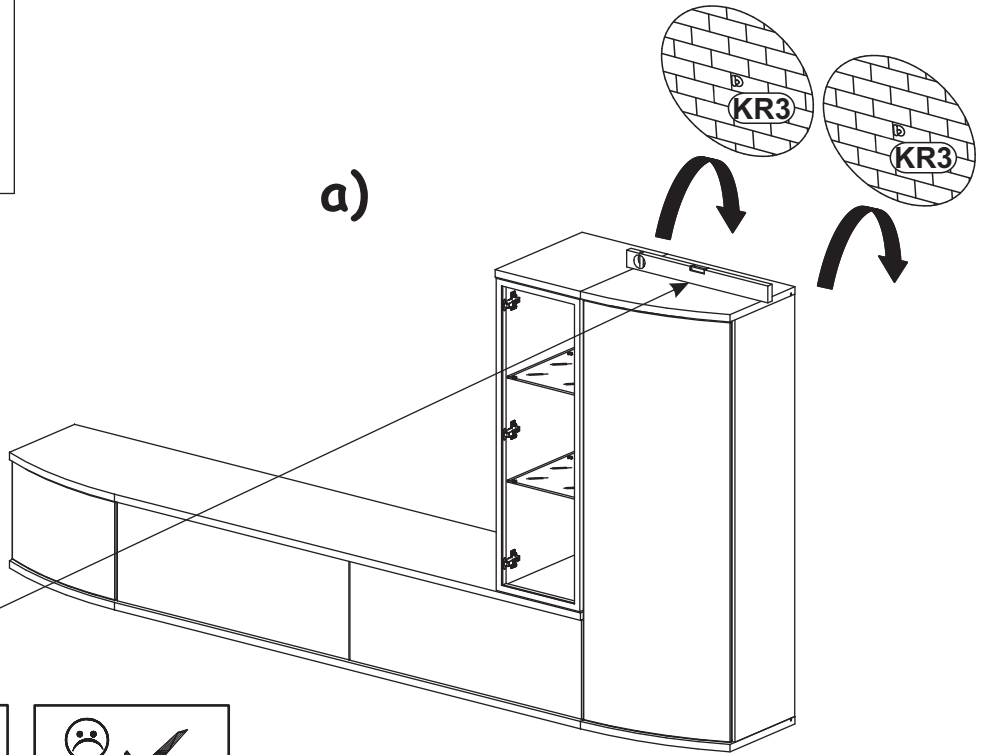
18



19



a)



b)

