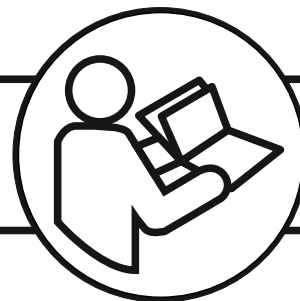
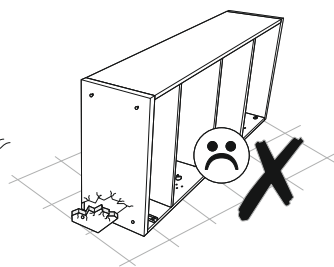
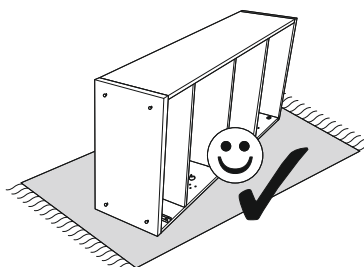
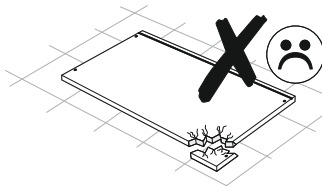
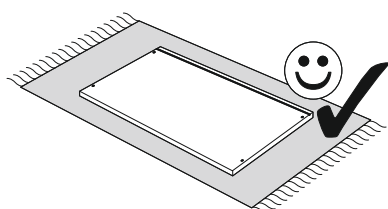
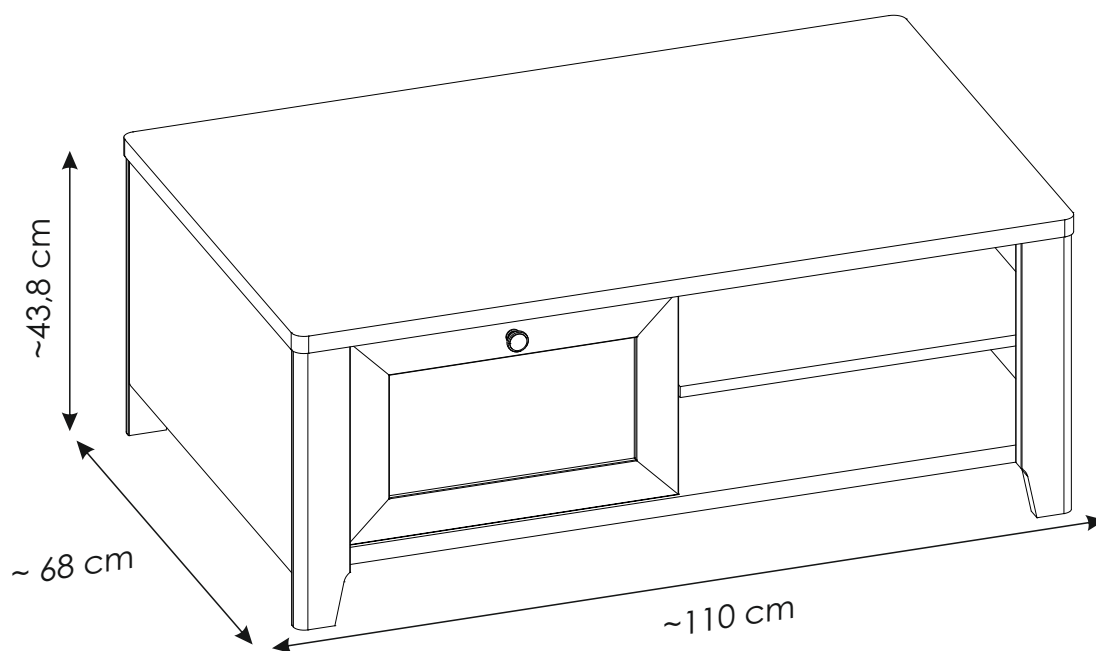
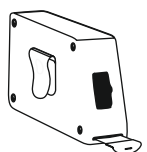
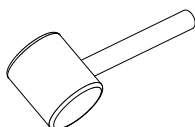
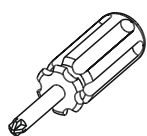
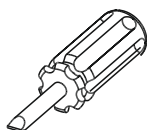
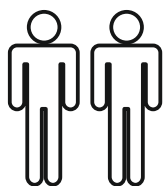


VNNT02

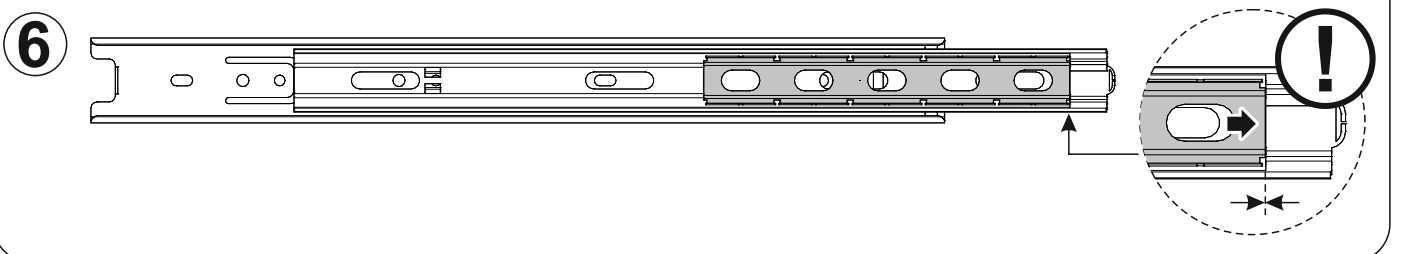
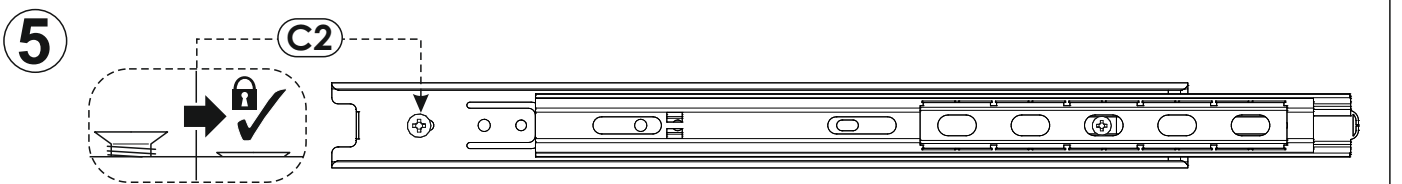
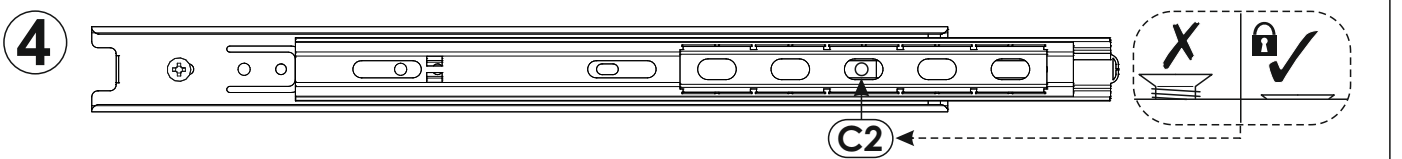
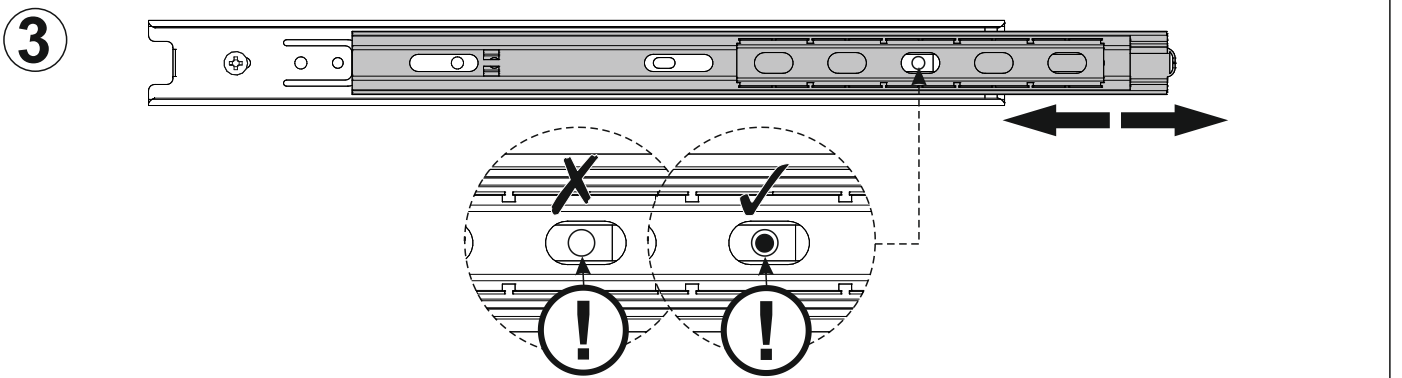
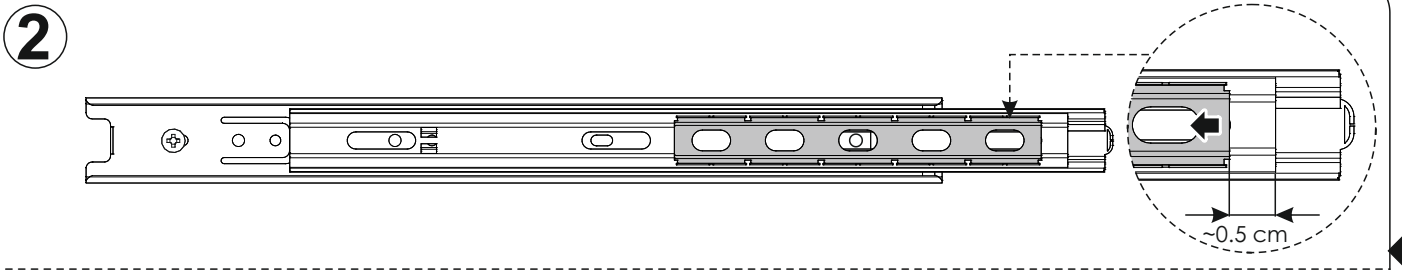
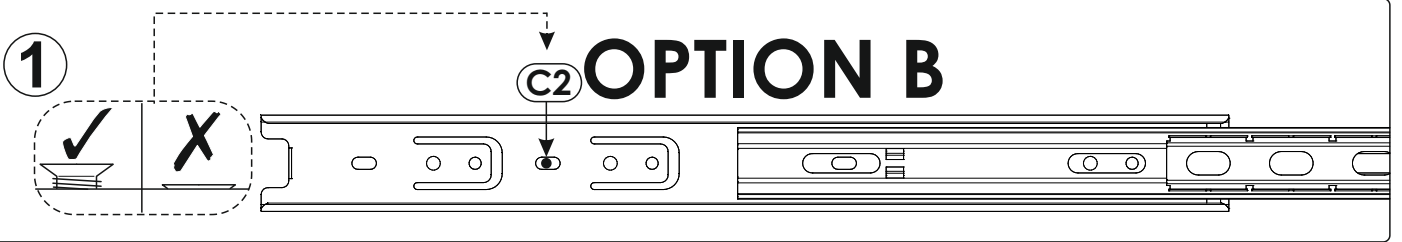
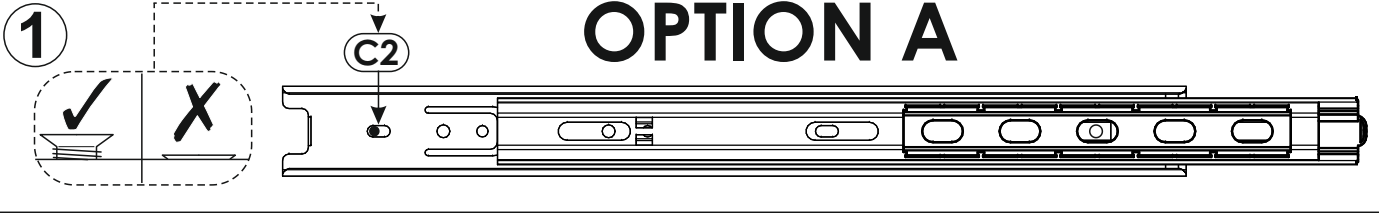


MONTÁŽNÍ/MONTÁŽNY NÁVOD



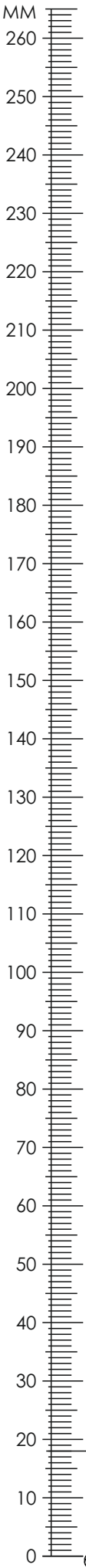



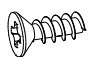
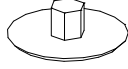

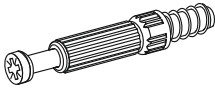
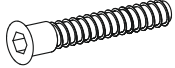
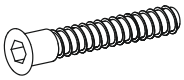
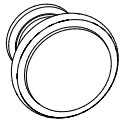
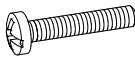
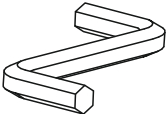


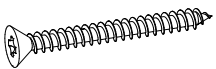
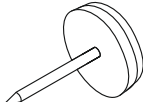

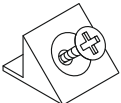
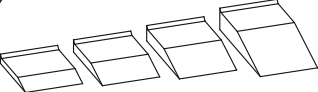
VNNT02



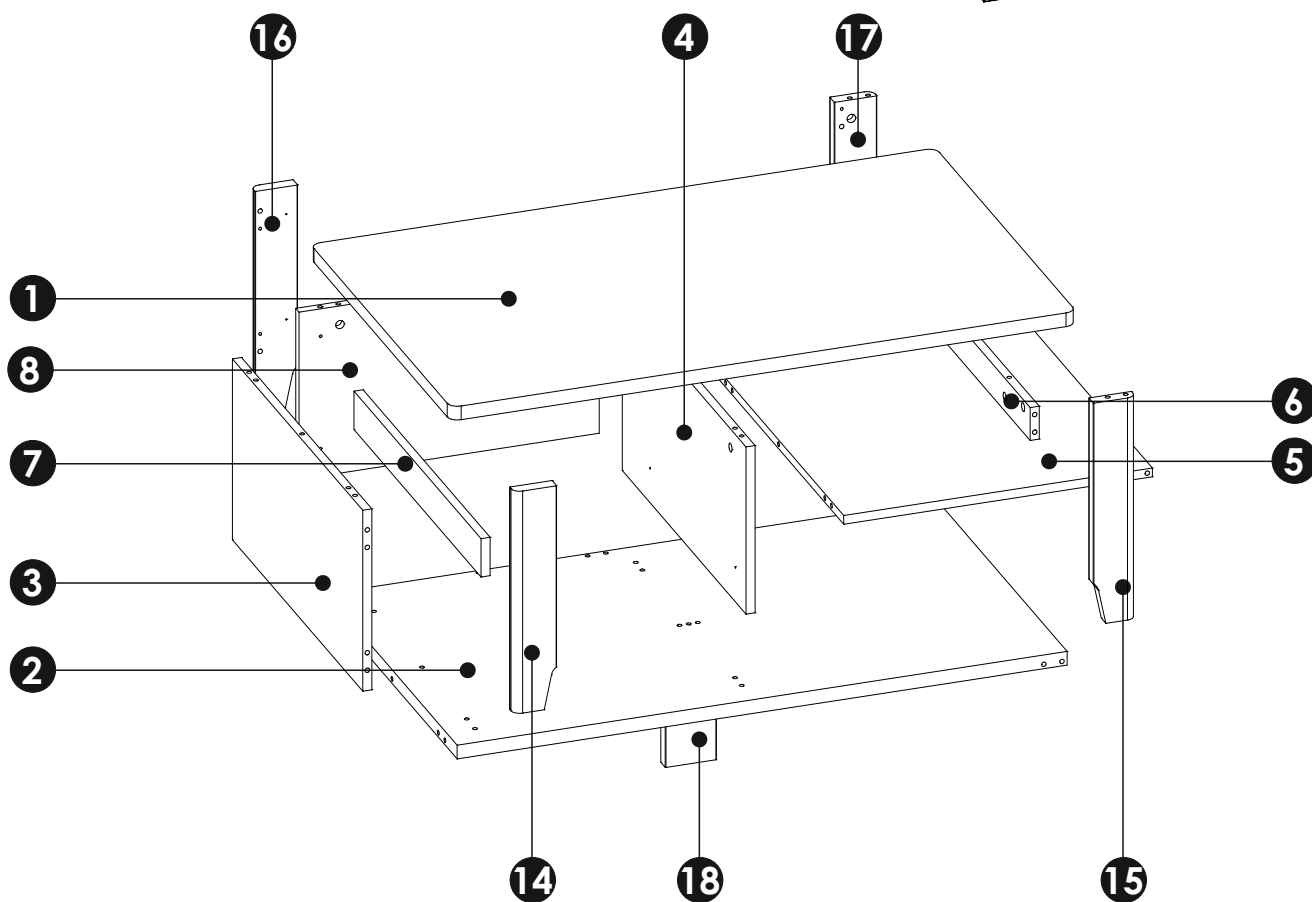
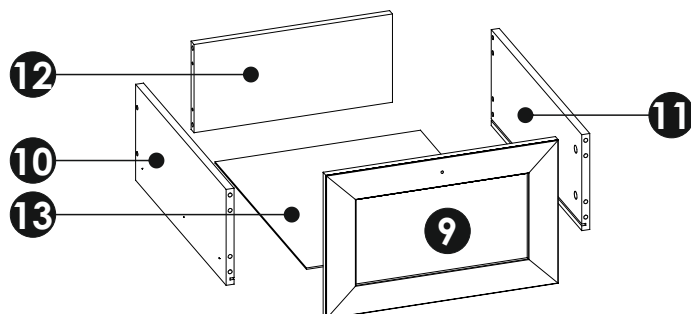
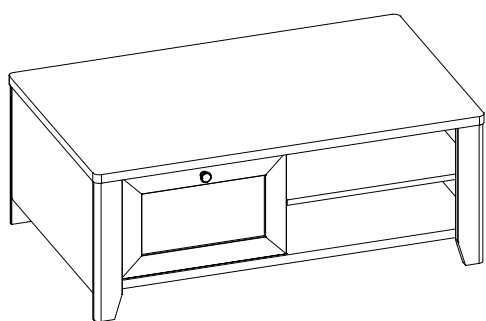
FRONT

VNNT02



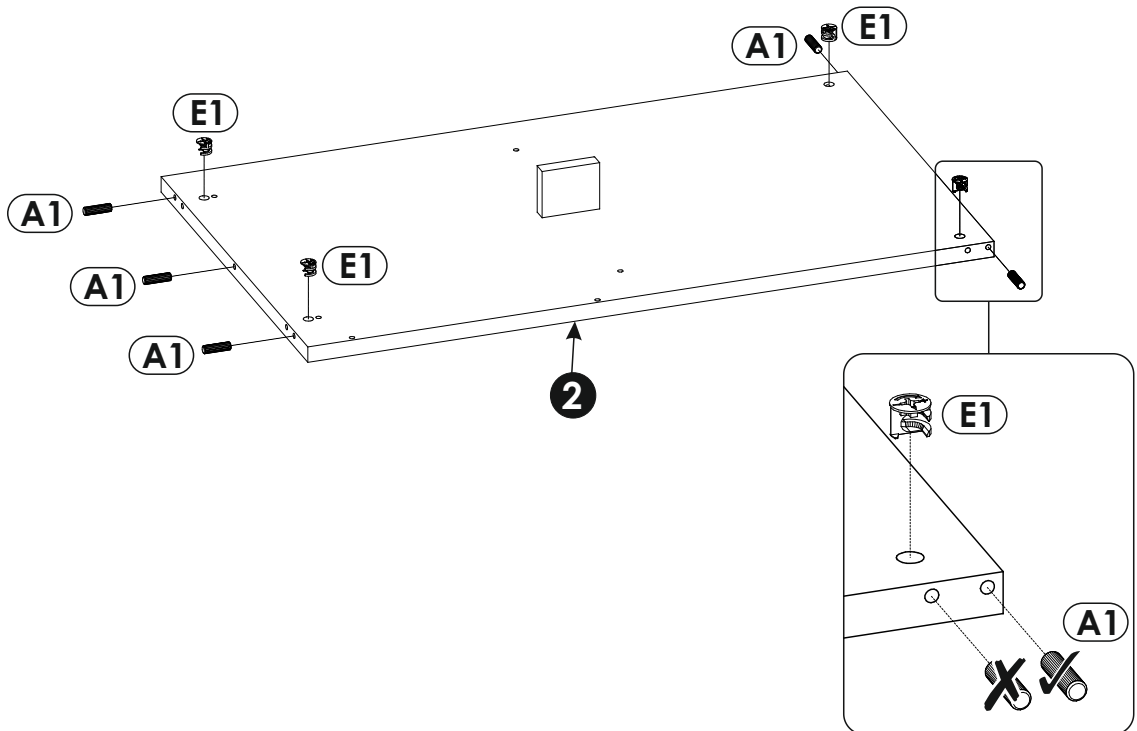
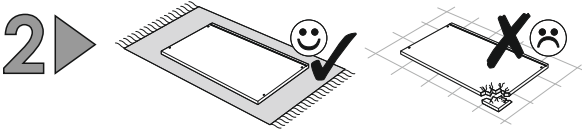
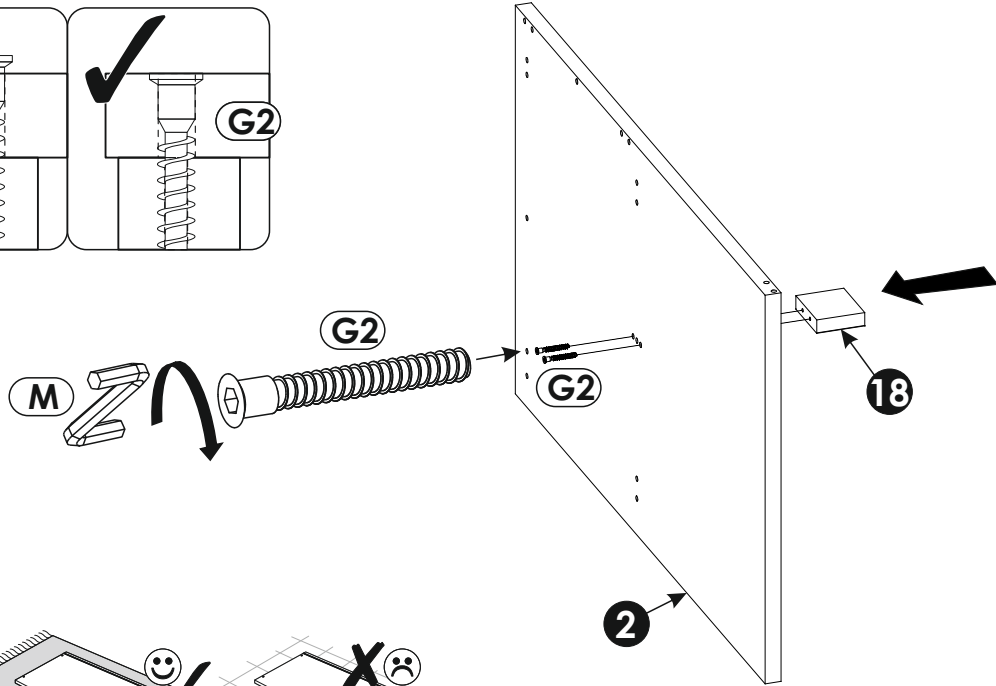
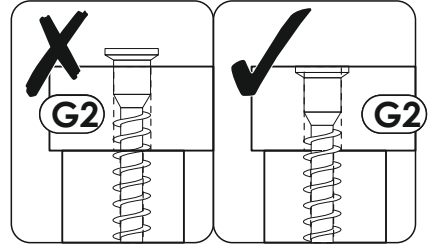
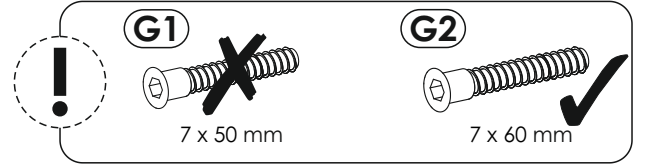
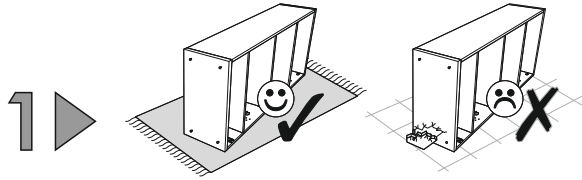
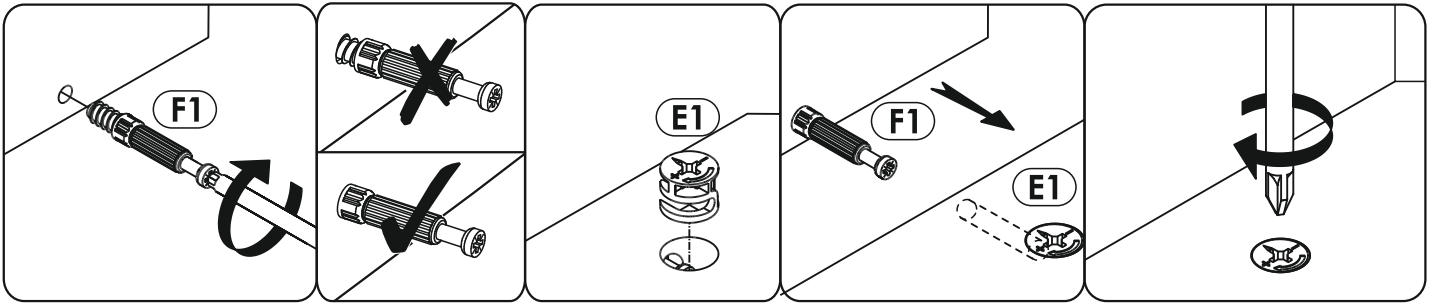
A1 8 x 35 mm x44 	C2 5 x 13 mm x4 	E0 Ø16 x14 
E1 15 x 12 mm x28 	F1 6 x 34 mm x28 	G1 7 x 50 mm x6 
G2 7 x 60 mm x6 	H1 x1 	K7 4 x 22 mm x1 
M x1 	N1 3 x 16 mm x5 	N5 3,5 x 16 mm x6 
N16 4 x 30 mm x2 	O2 x5 	PW x2  L - 500mm
R4 x1 	Z x1 	

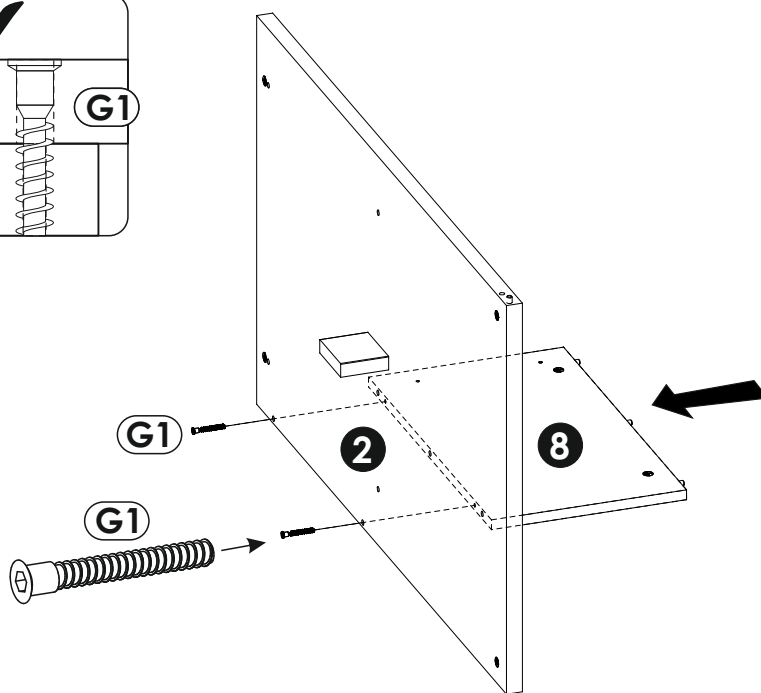
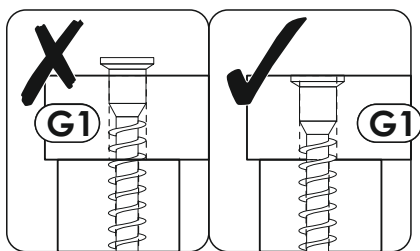
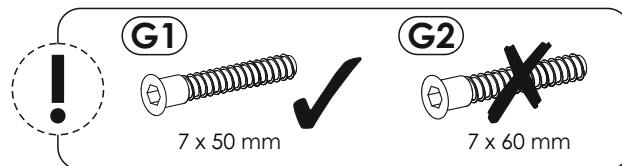
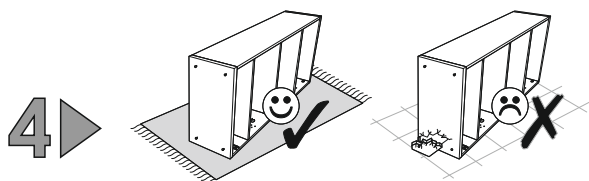
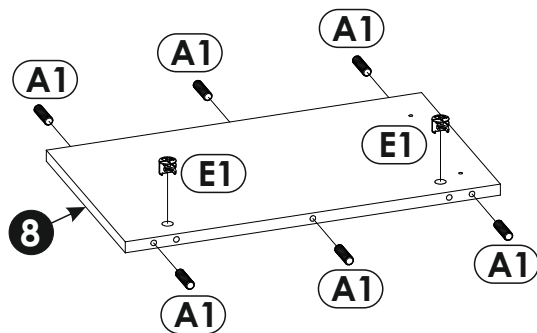
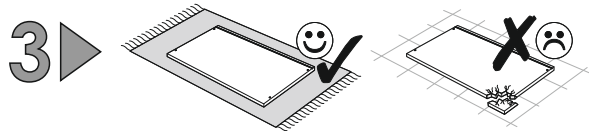
VNNT02



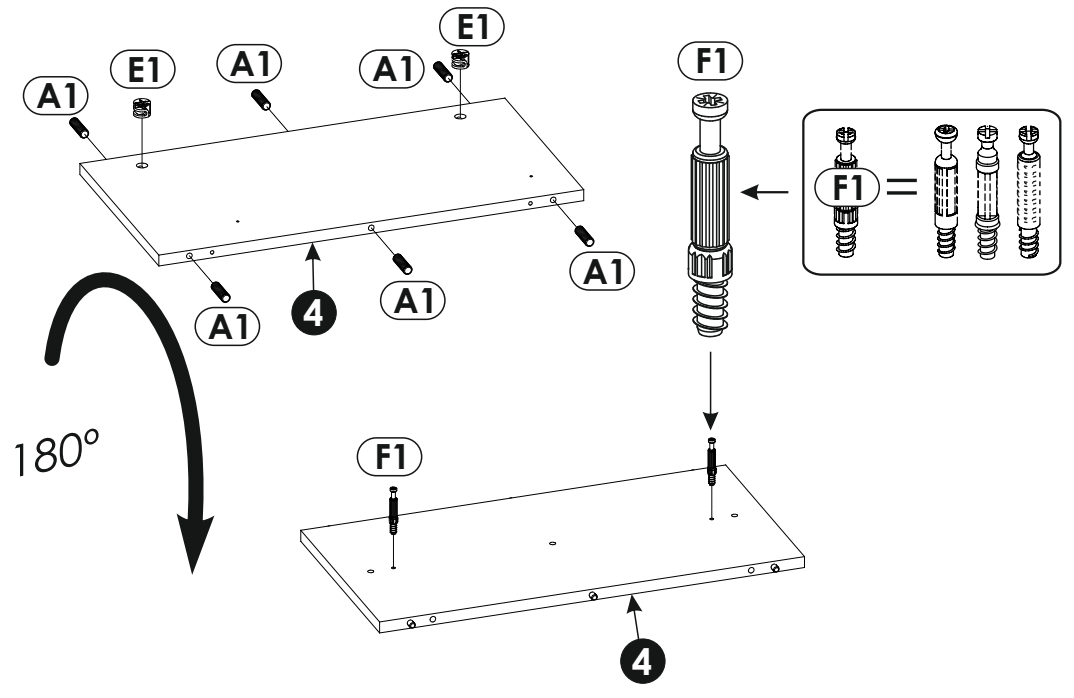
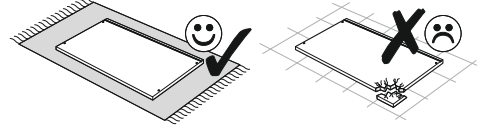
1	1100	680	25	x1	2/2
2	1073	630	25	x1	2/2
3	330	630	16	x1	1/2
4	305	598	16	x1	1/2
5	543	630	16	x1	1/2
6	630	60	16	x1	1/2
7	70	614	16	x1	1/2
8	528	305	16	x1	1/2
9	467	299	16	x1	1/2

10	500	200	16	x1	1/2
11	500	200	16	x1	1/2
12	399	184	16	x1	1/2
13	413	505	3	x1	1/2
14	405	75	22	x1	1/2
15	405	75	22	x1	1/2
16	405	75	22	x1	1/2
17	405	75	22	x1	1/2
18	75	90	22	x1	1/2

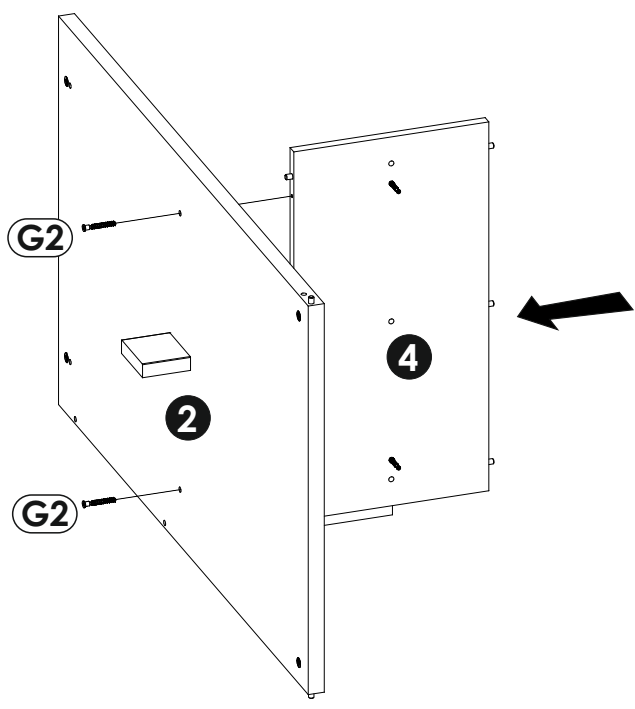
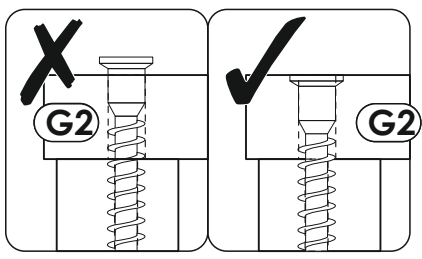
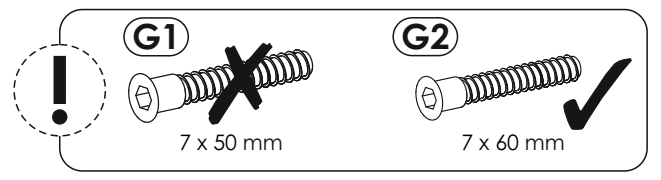
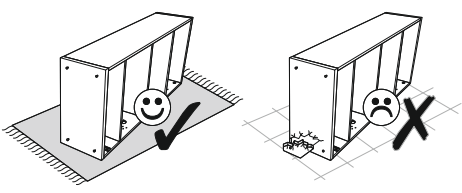




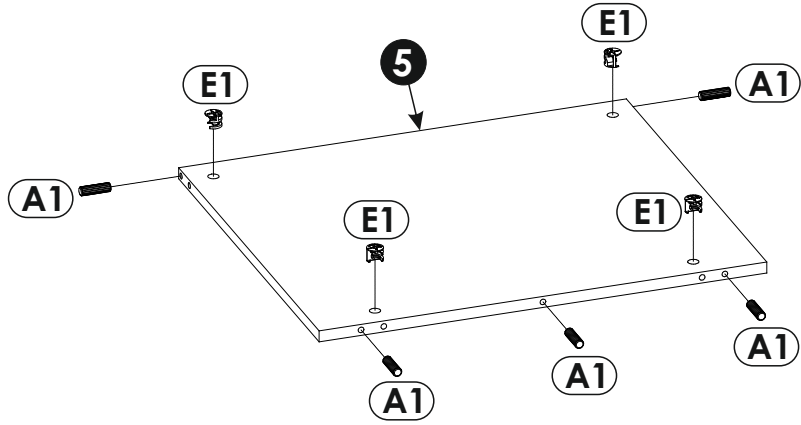
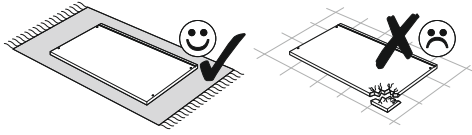
5 ▶



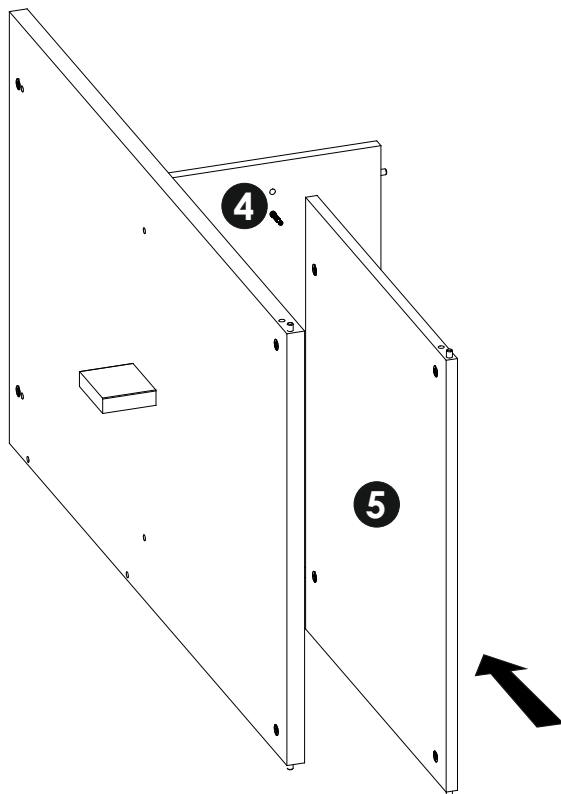
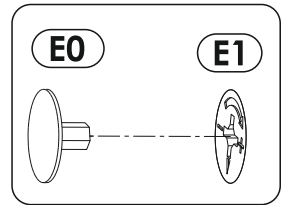
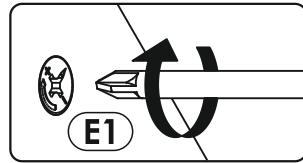
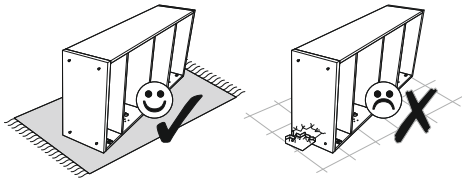
6 ▶



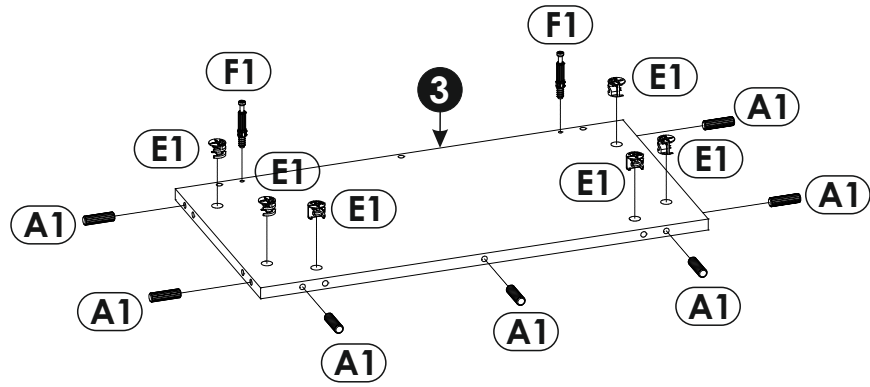
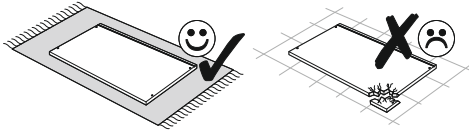
7 ▶



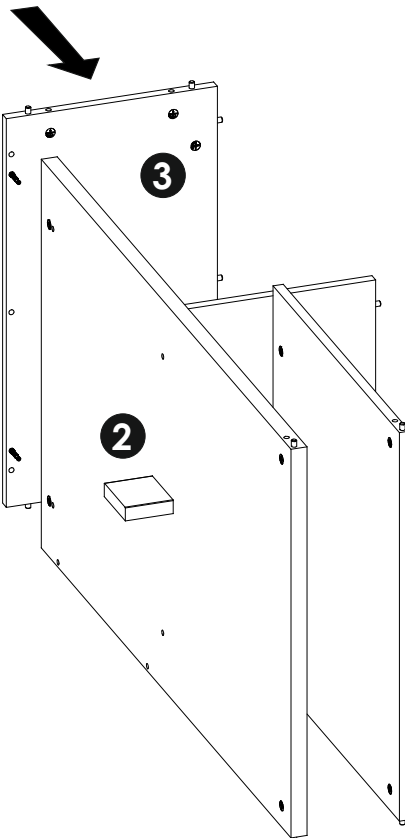
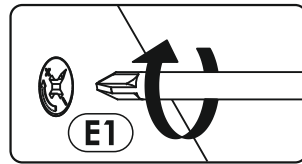
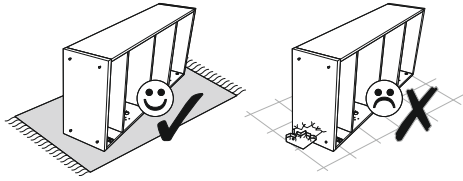
8 ▶



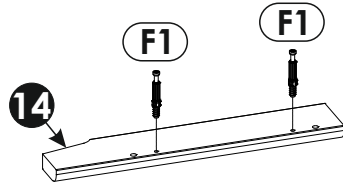
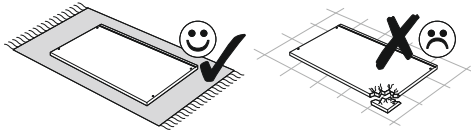
9 ▶



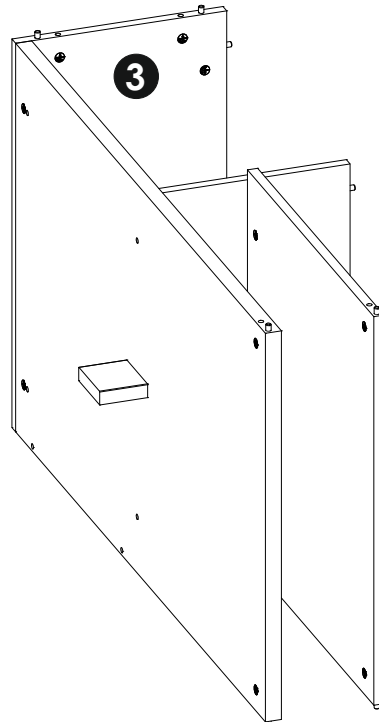
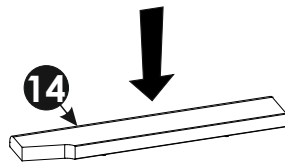
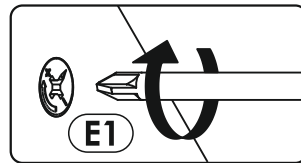
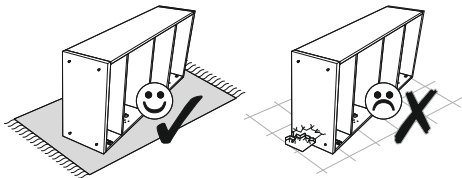
10 ▶



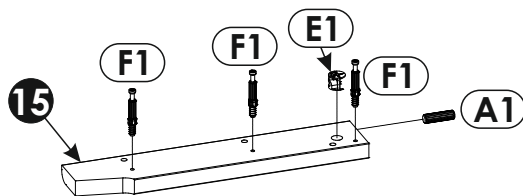
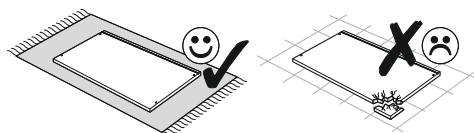
11 ▶



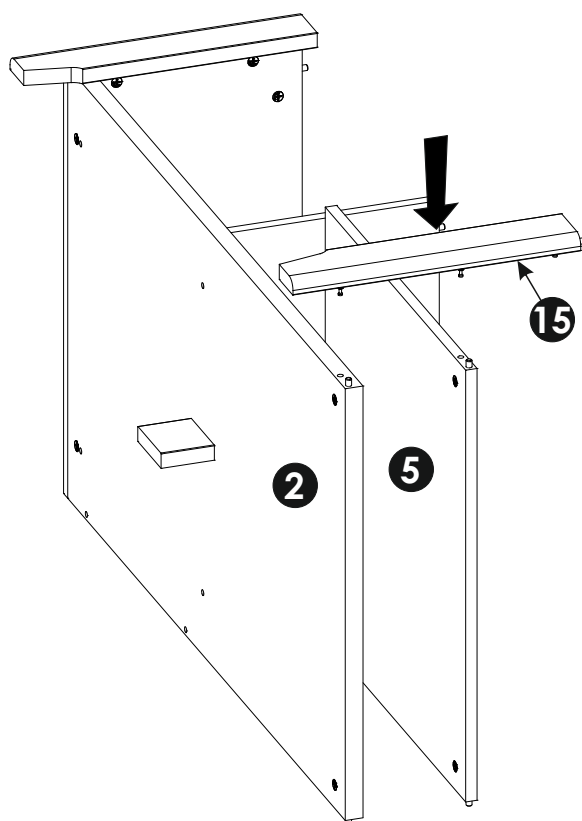
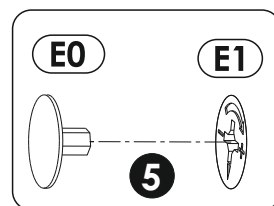
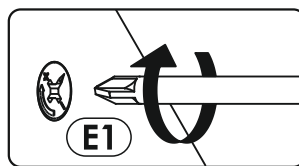
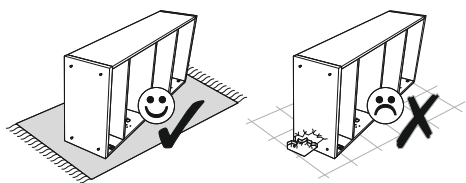
12 ▶



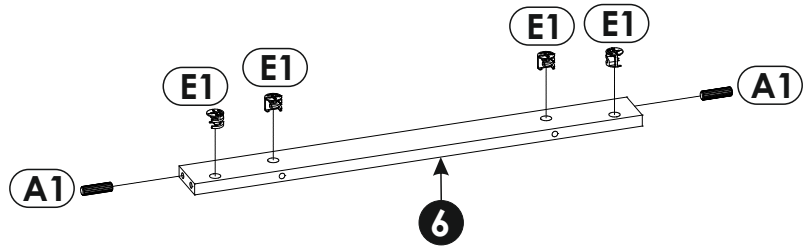
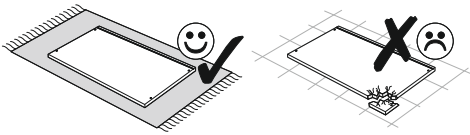
13▶



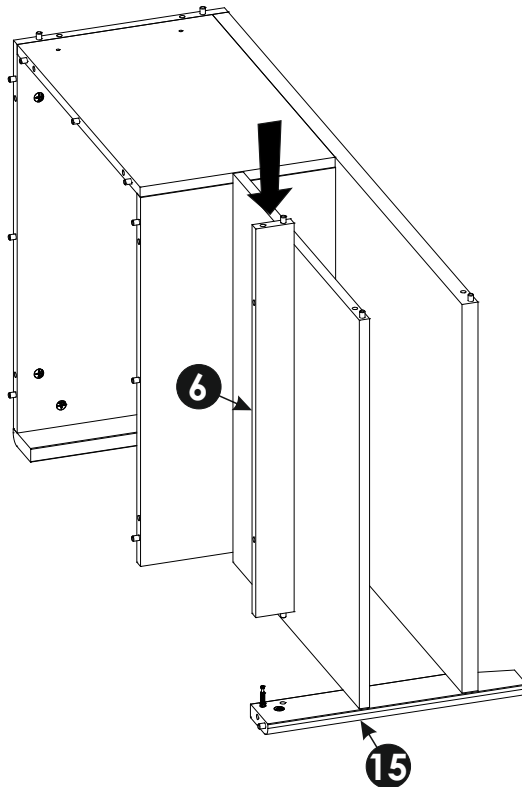
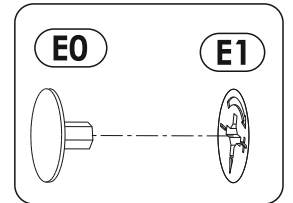
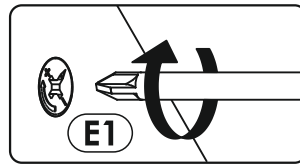
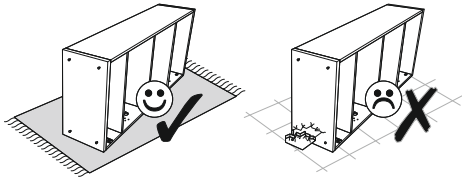
14▶



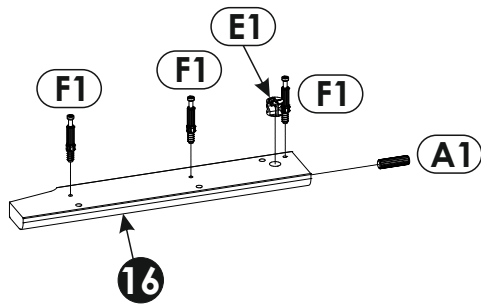
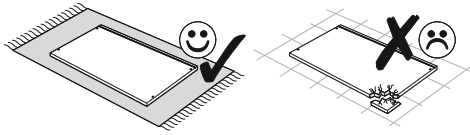
15▶



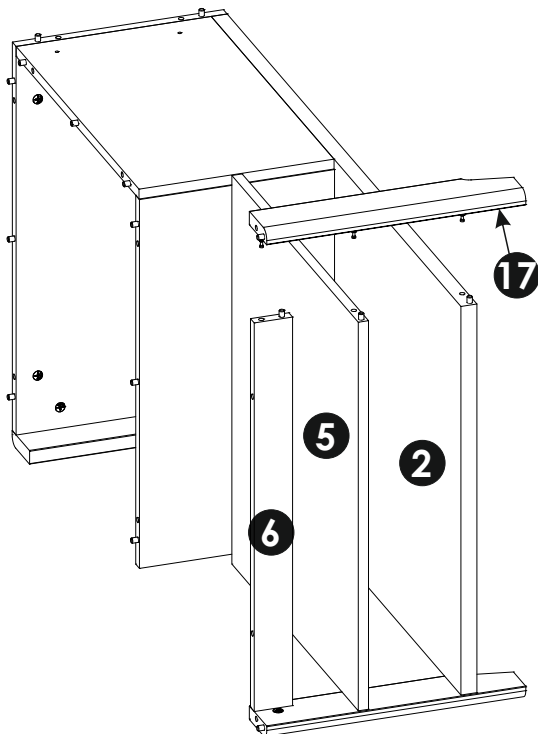
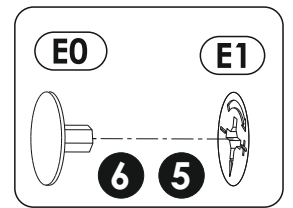
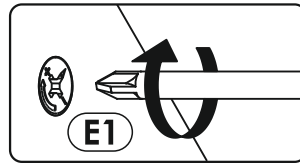
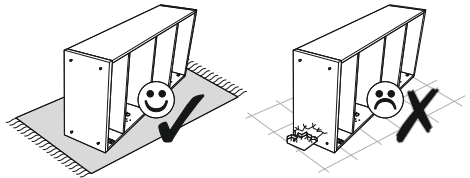
16▶



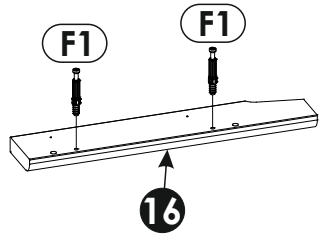
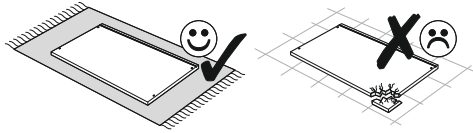
17▶



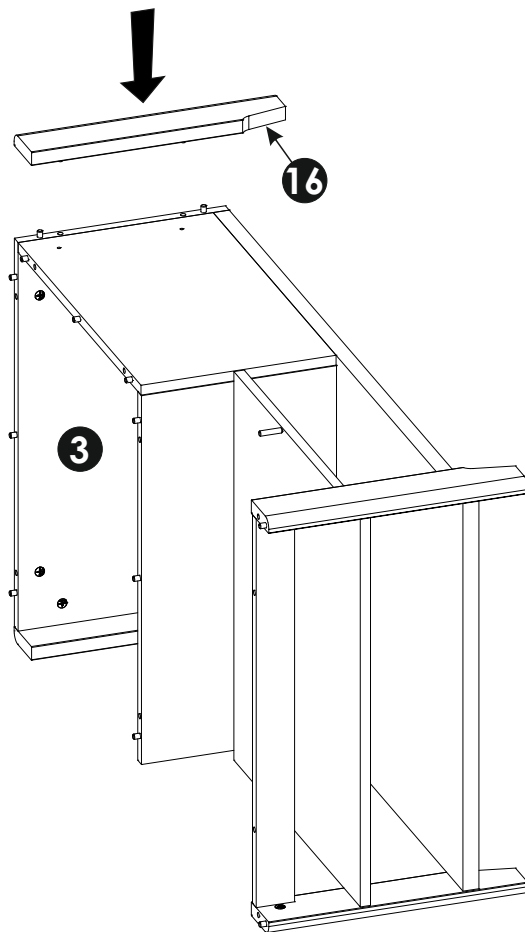
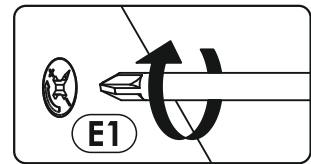
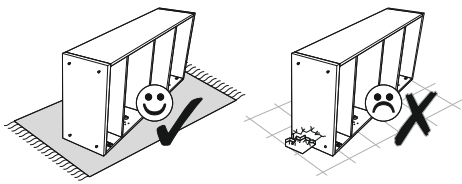
18▶



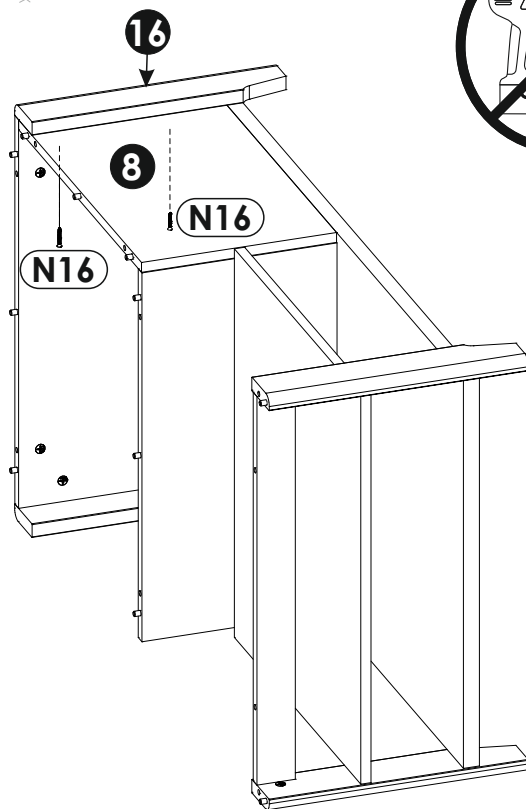
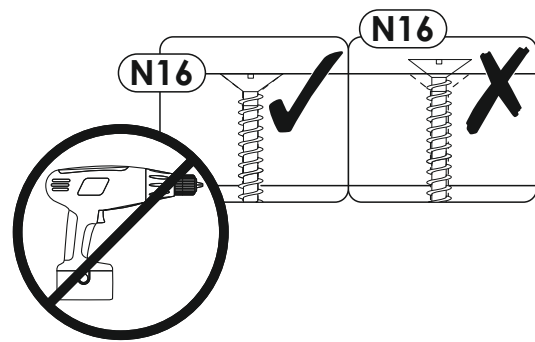
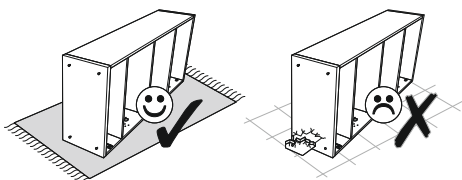
19 ▶



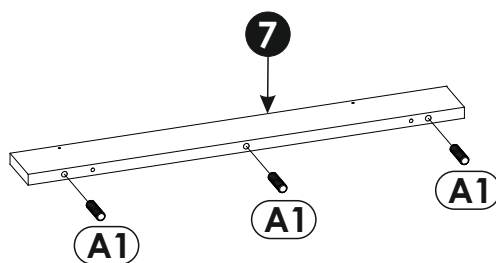
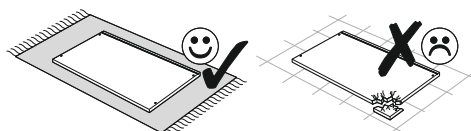
20 ▶



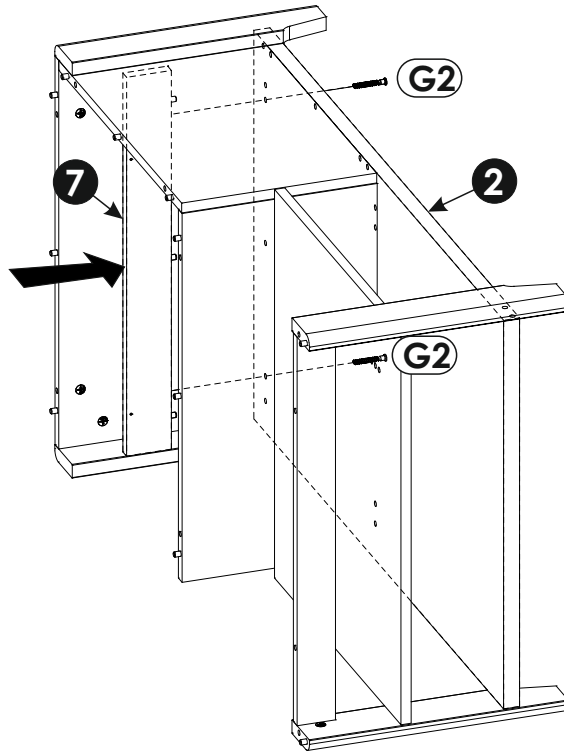
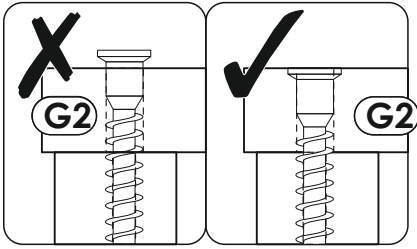
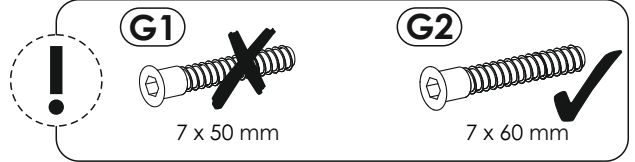
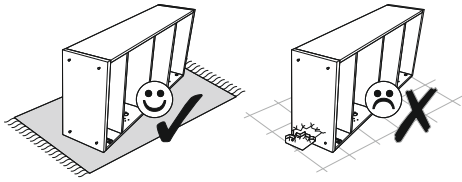
21 ▶



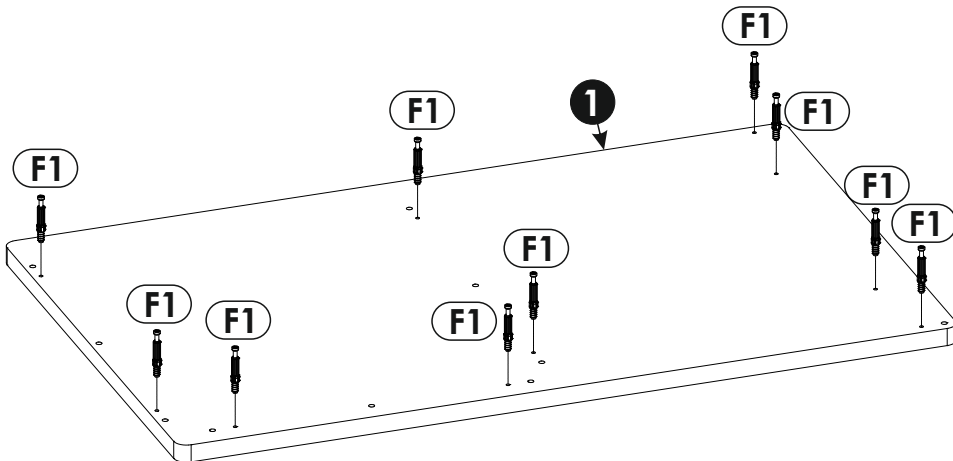
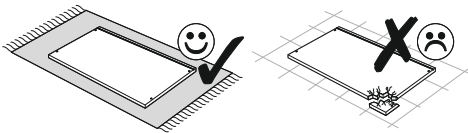
22 ▶



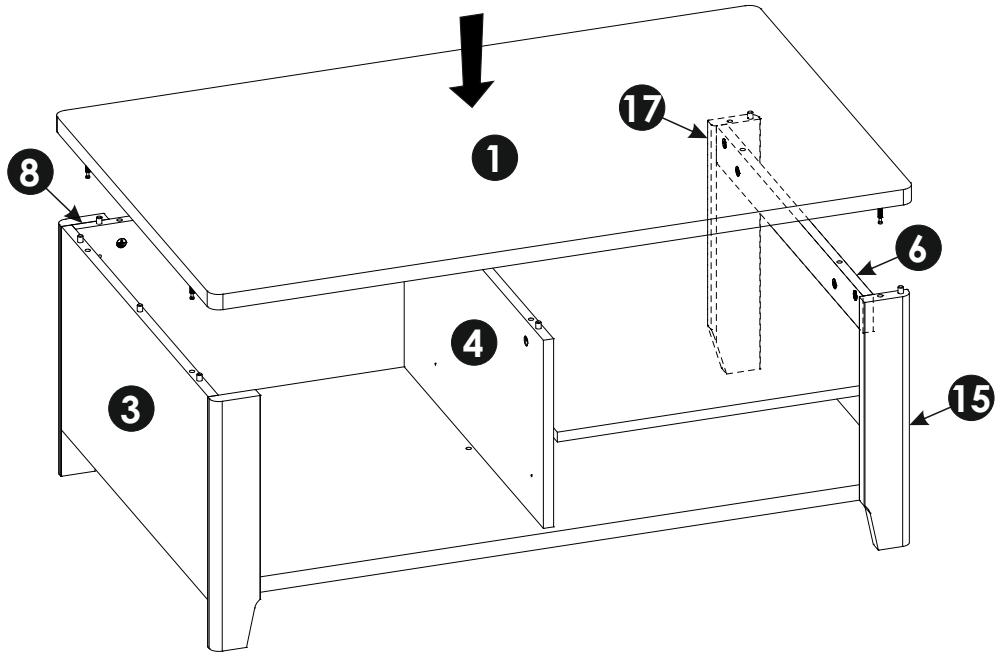
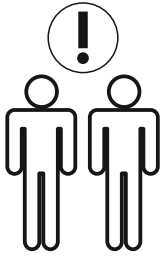
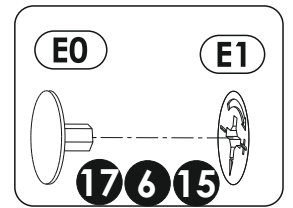
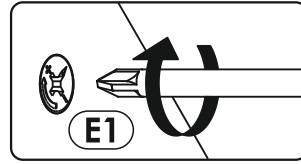
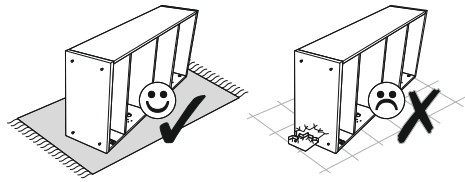
23 ▶



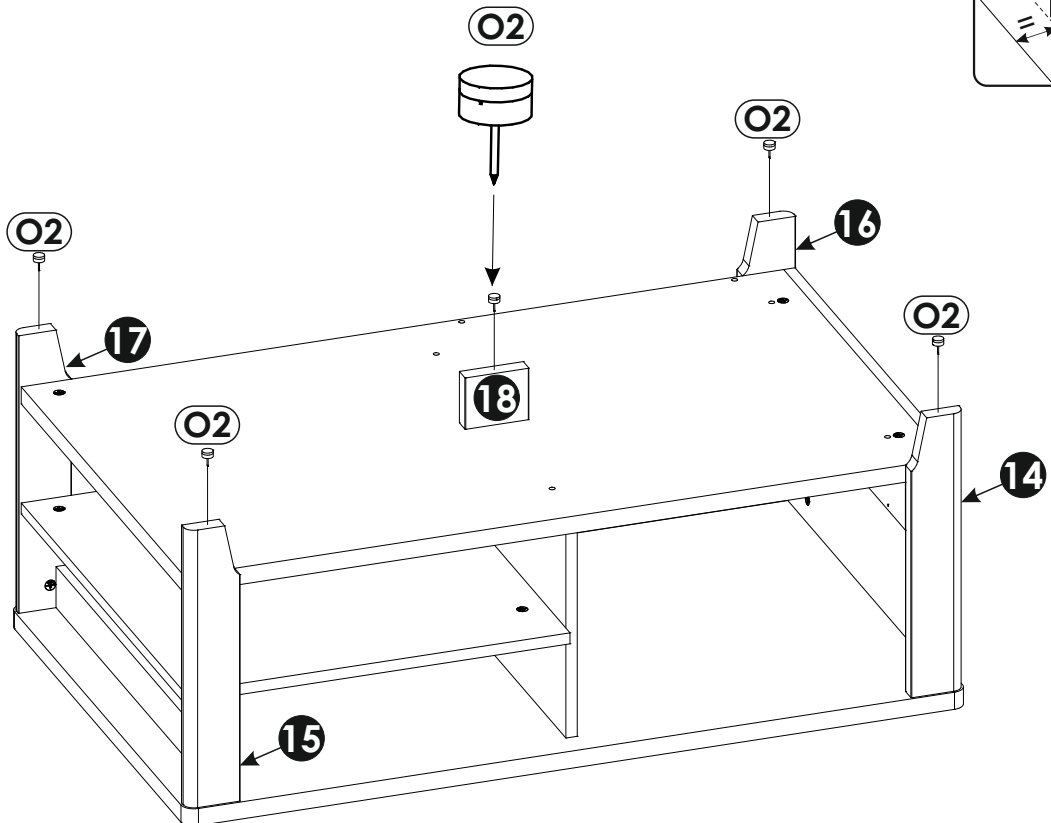
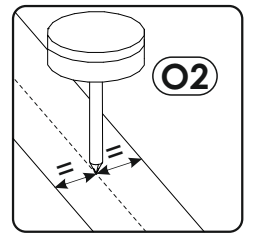
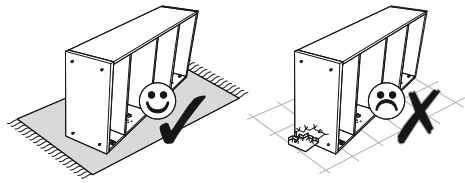
24 ▶

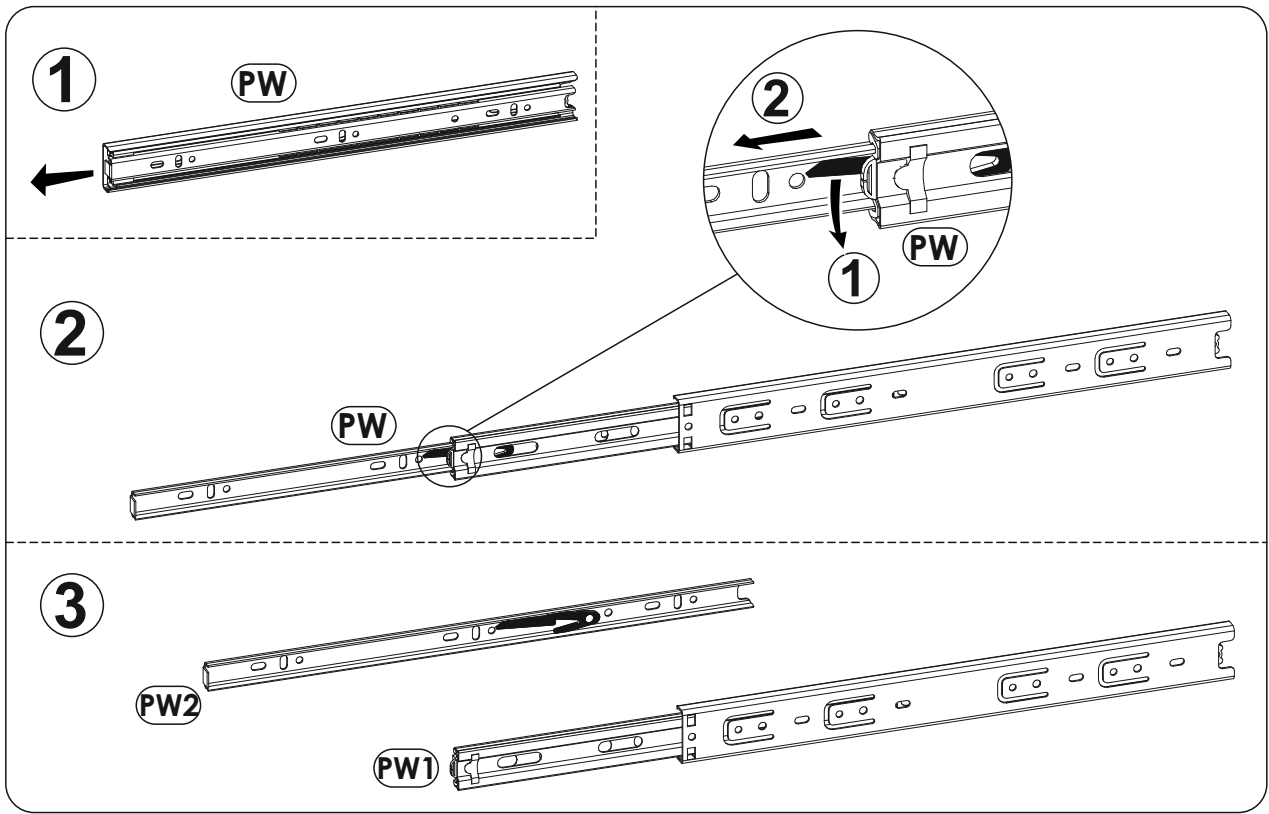


25 ▶

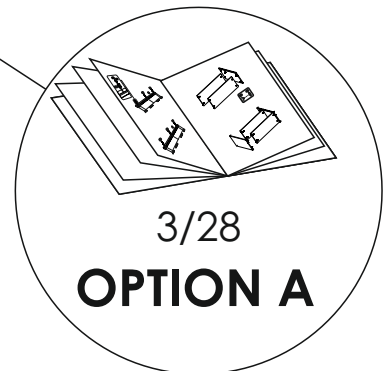
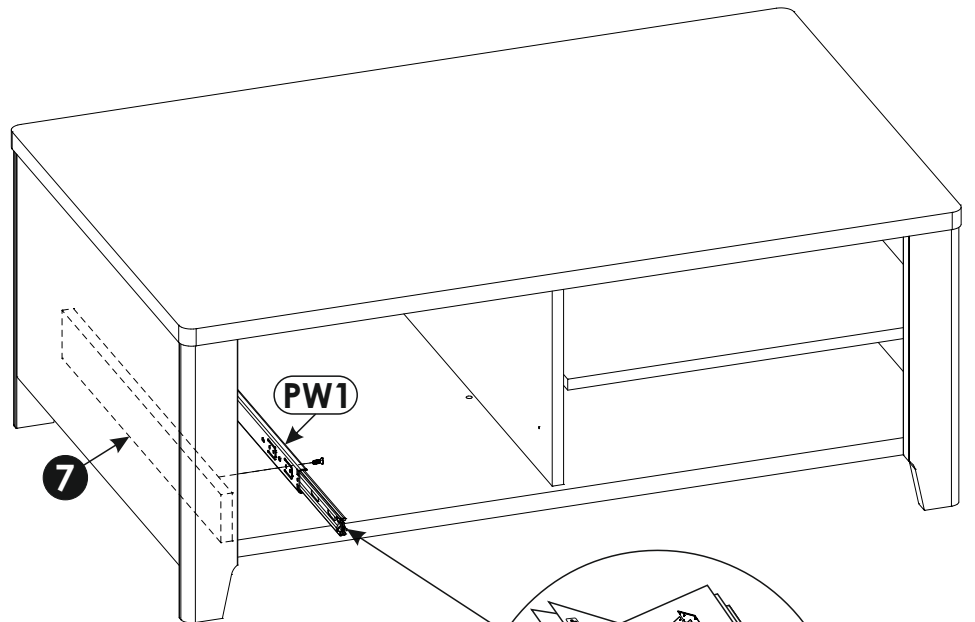
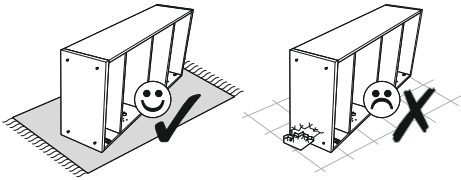


26 ▶

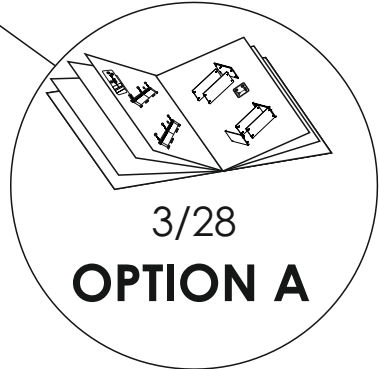
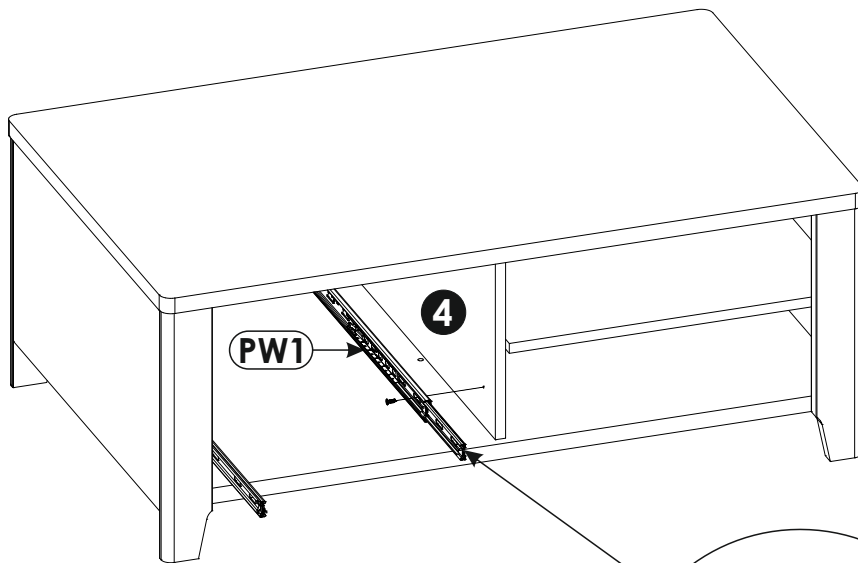
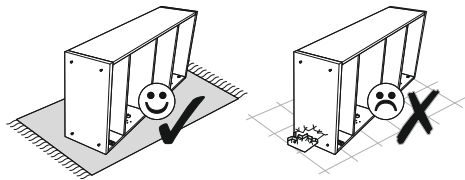




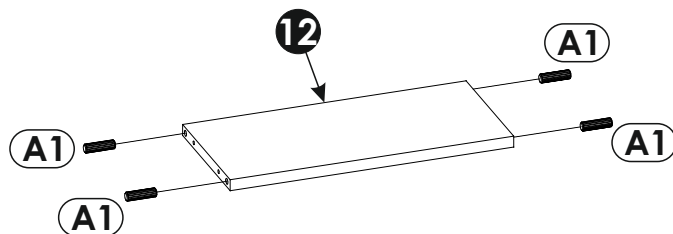
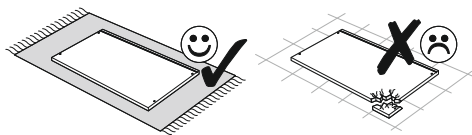
27 ▶



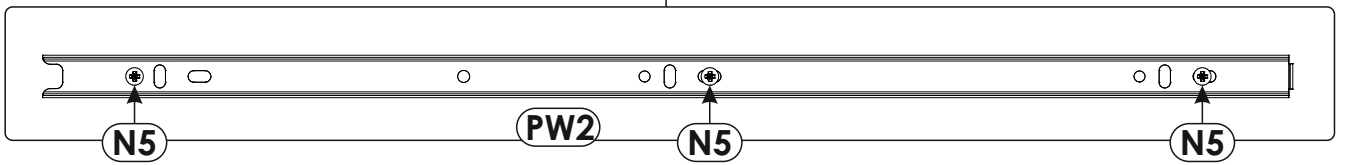
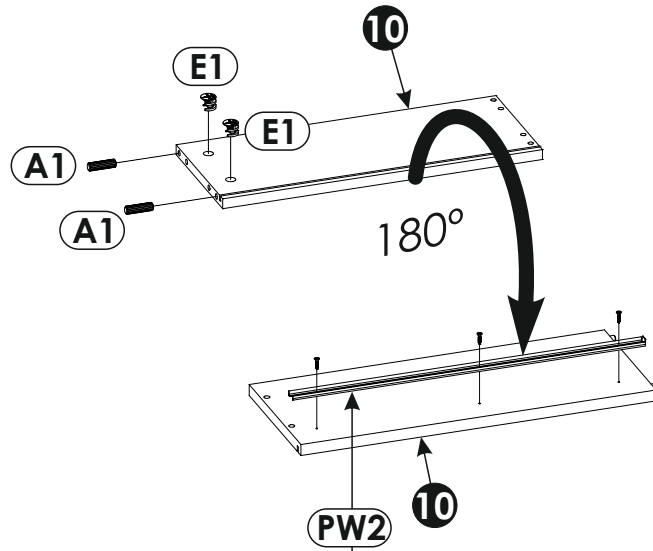
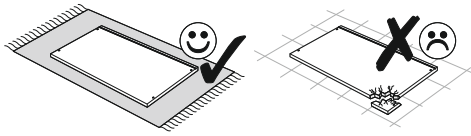
28 ▶



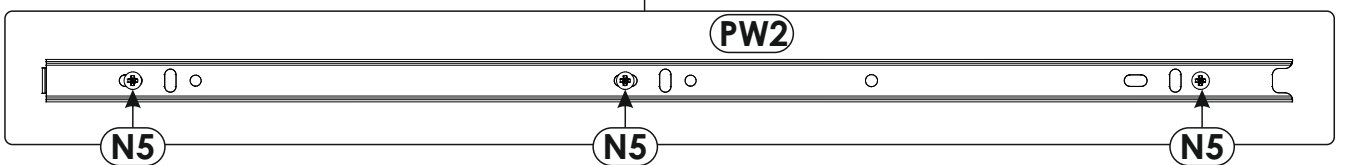
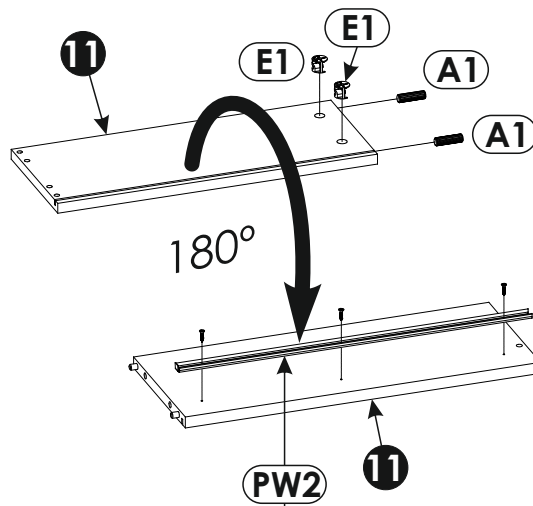
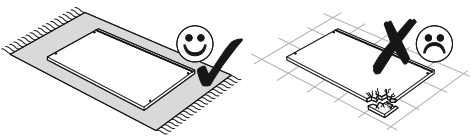
29 ▶



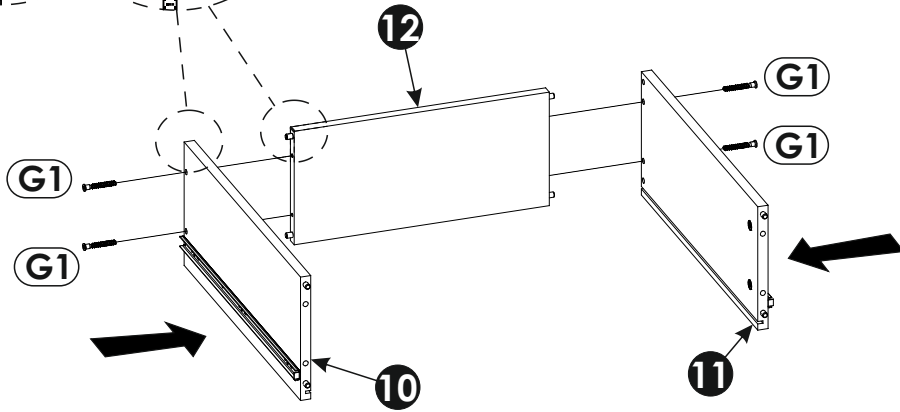
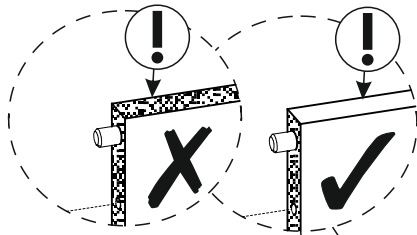
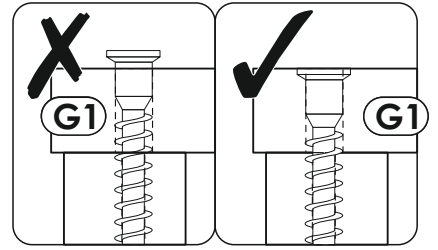
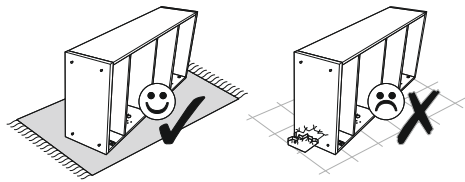
30 ▶



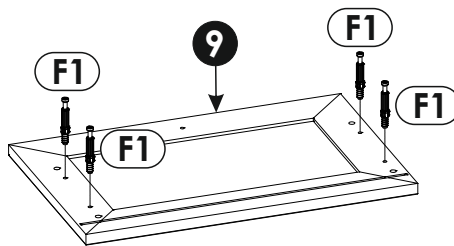
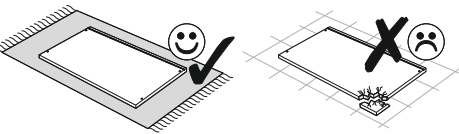
31 ▶



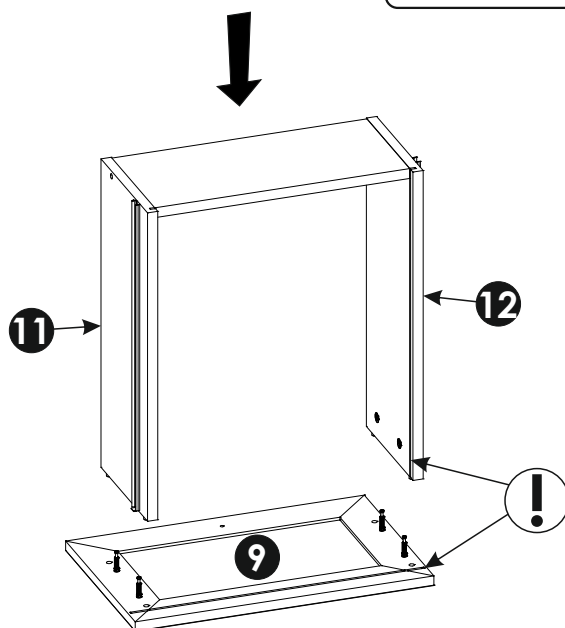
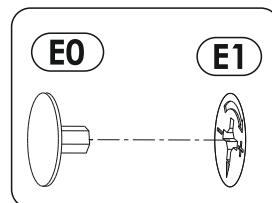
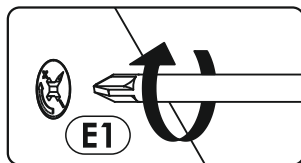
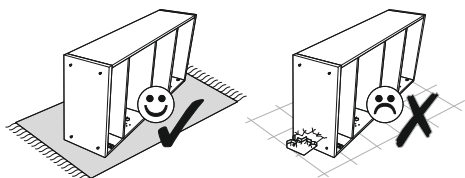
32 ▶



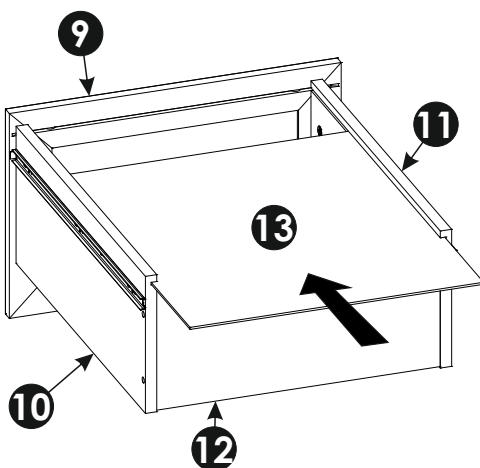
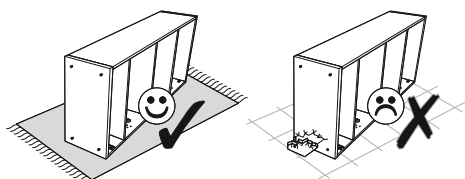
33 ▶



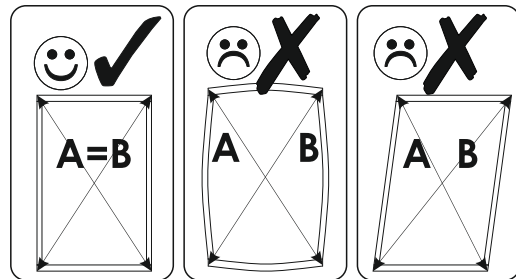
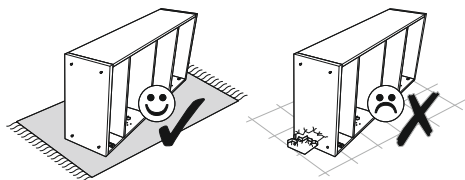
34 ▶



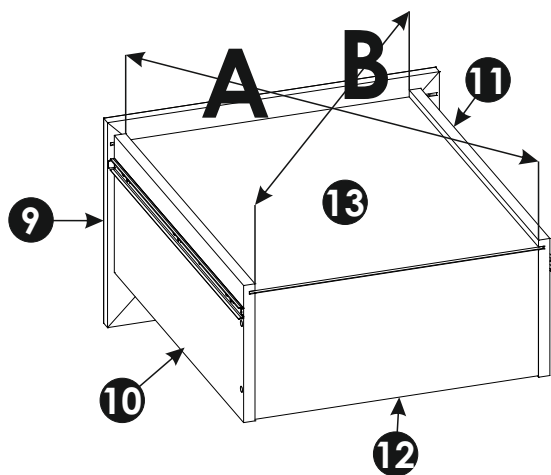
35 ▶



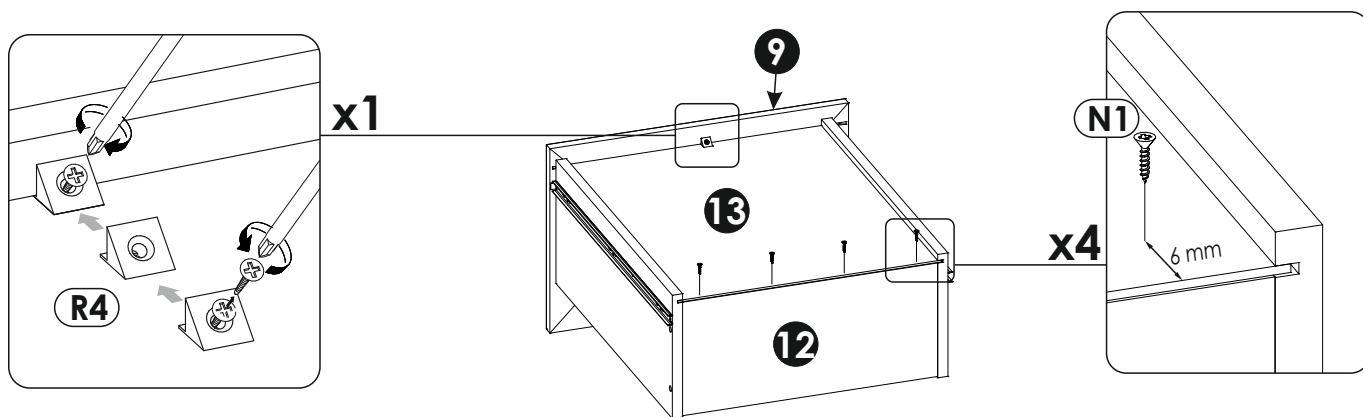
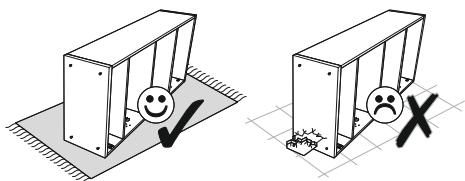
36 ▶



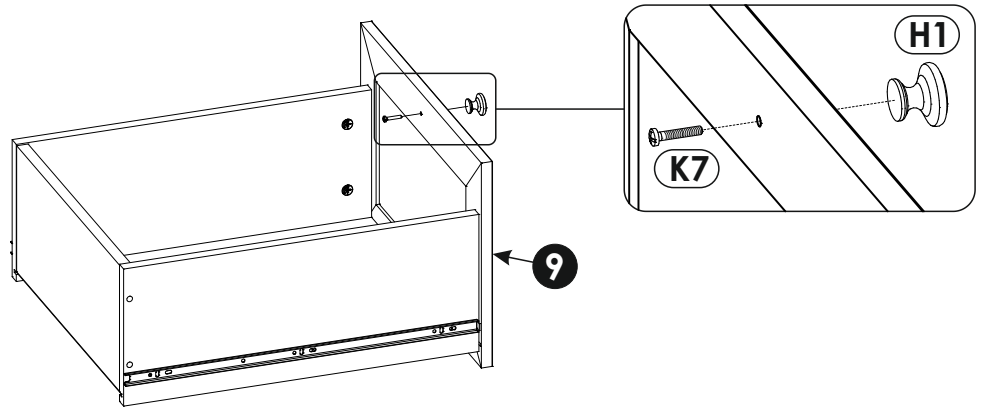
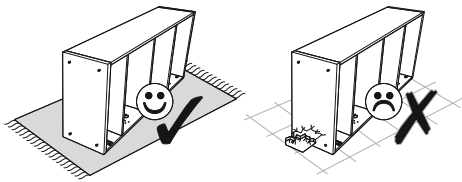
A=B



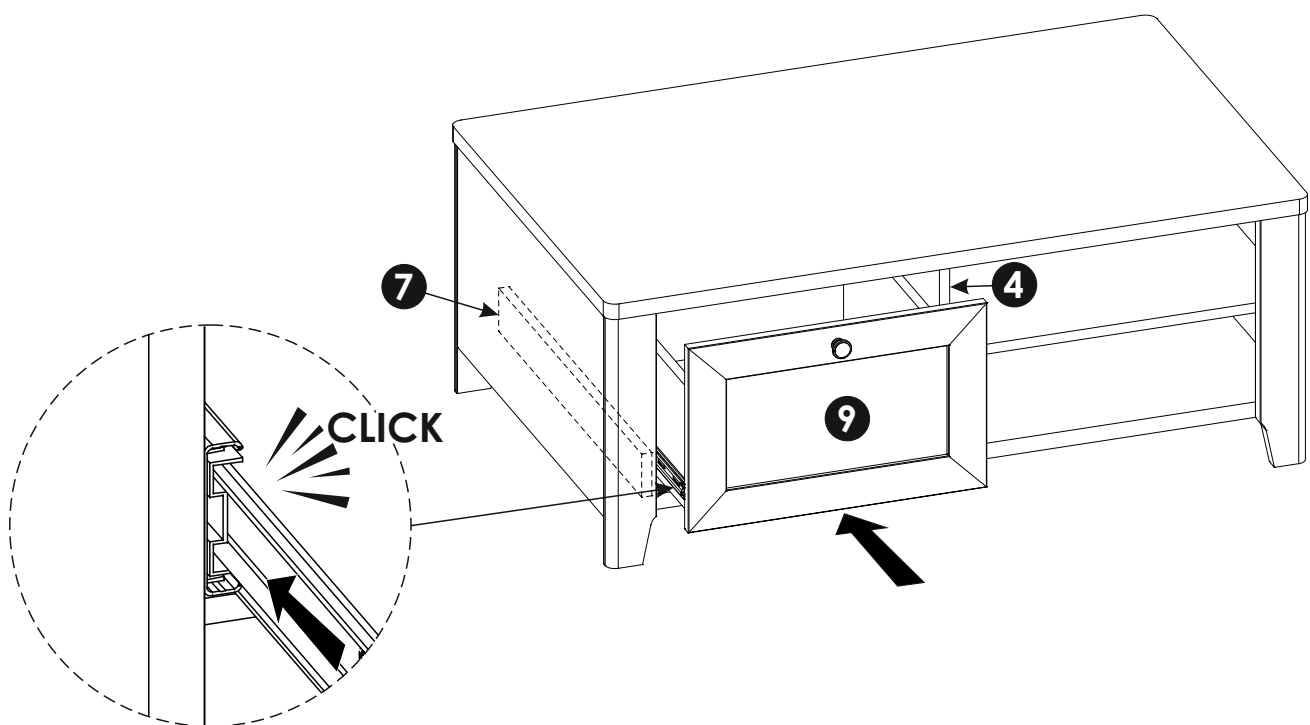
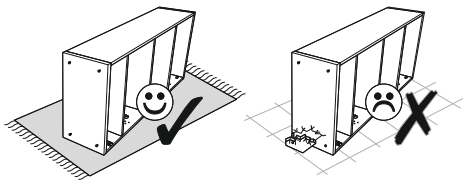
37 ▶



38 ▶



39 ▶



40▶

