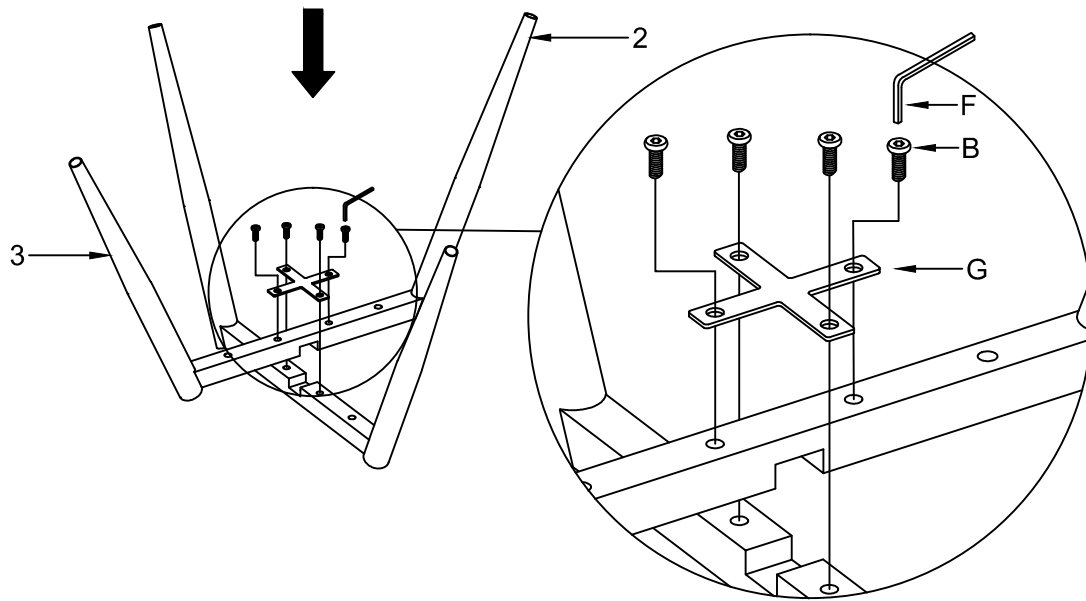
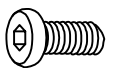
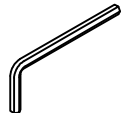
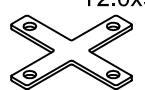



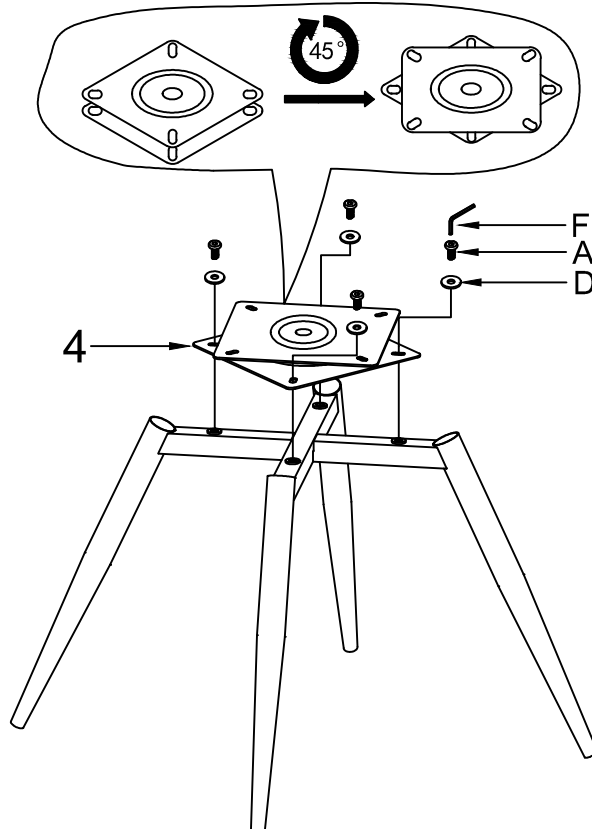
I.

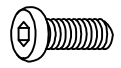

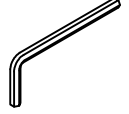

1



B	M6x13		4x
F	4MM		1x
G	T2.0x90x90		1x
			

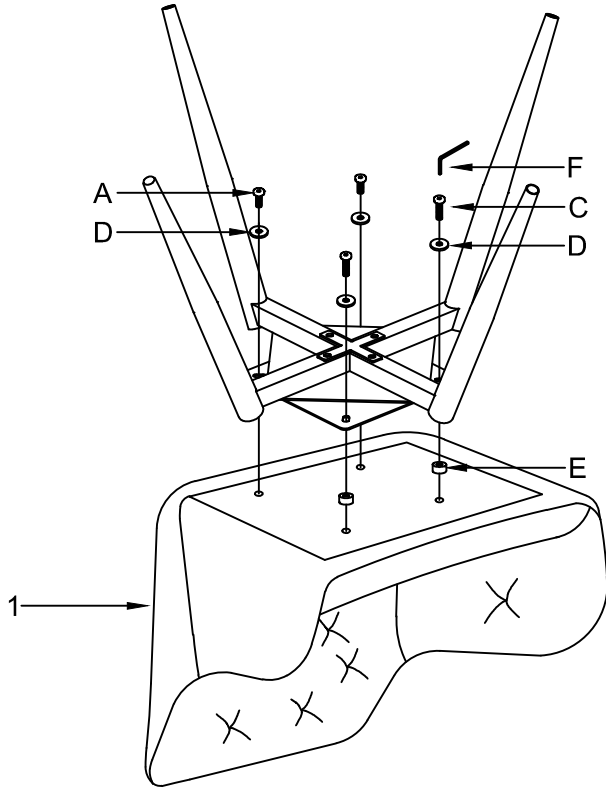
2

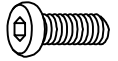







A	M6X20		4x
D	Ø18xØ6x1.5		4x
F	4MM		1x
			

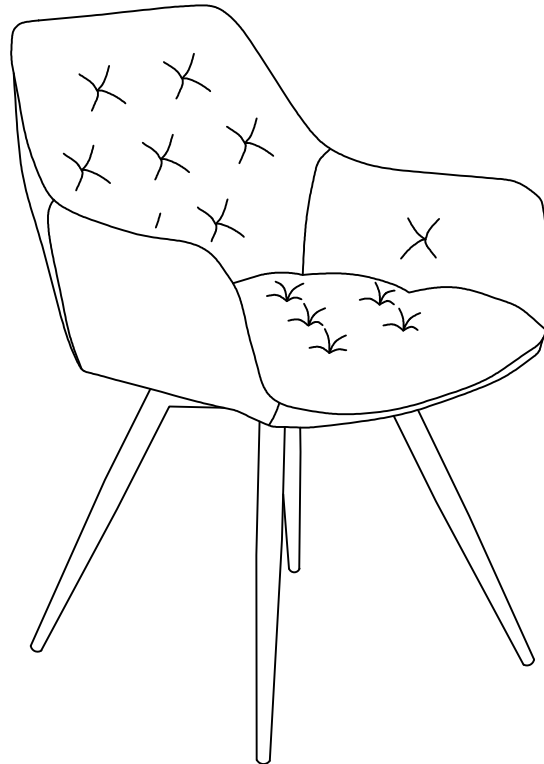
II.

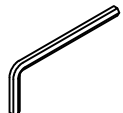
3



A	M6X20
	2x
C	M6X30
	2x
D	Ø18xØ6x1.5
	4x
E	Ø18xØ8x10
	2x
F	4MM
	1x
	

4



F	4MM
	1x
